

S2 355

5953 WARM SPRINGS DR
MIDDLETOWN, OH 45042

2 Story Basement

UNFINISHED BASEMENT

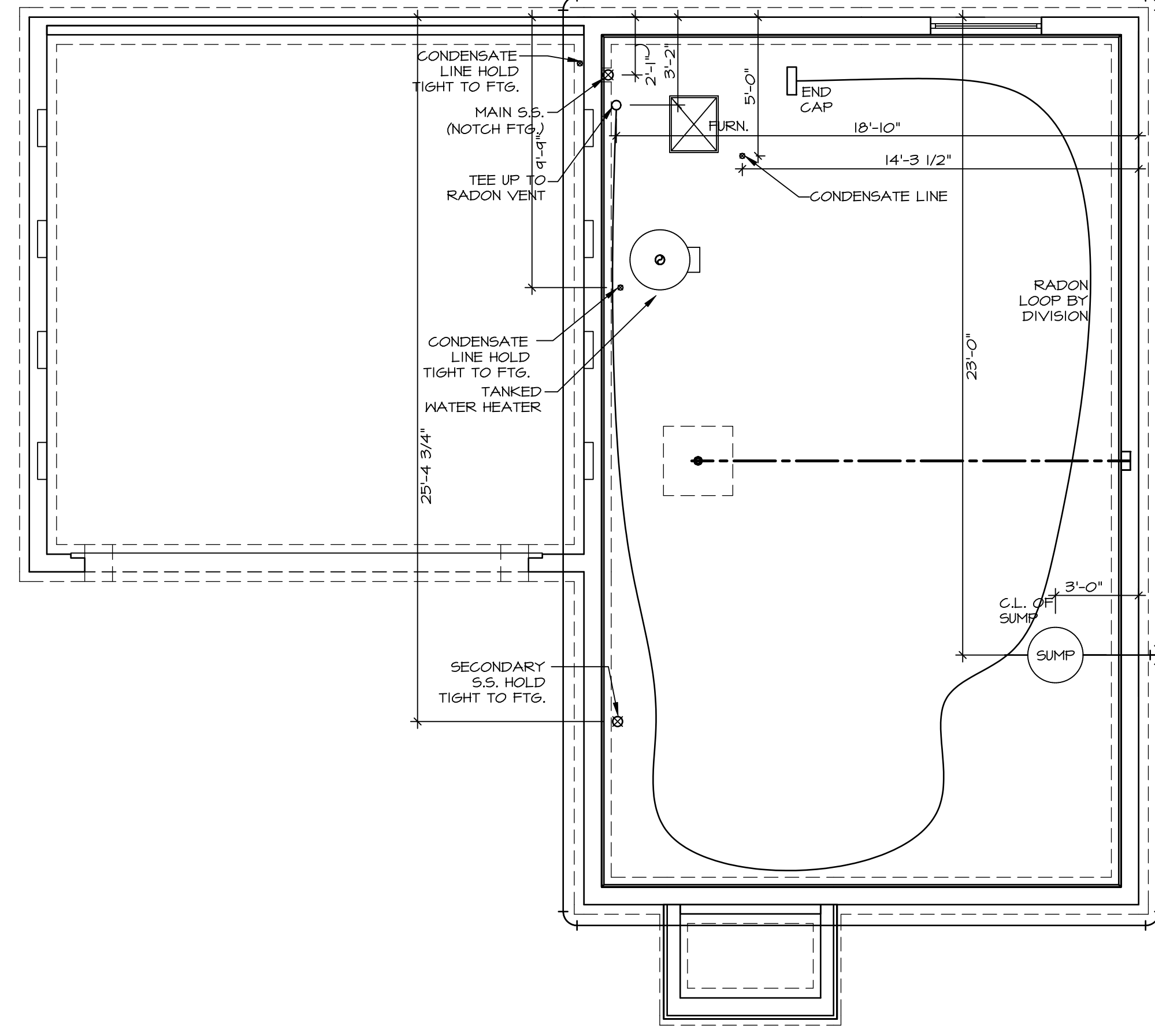
2 hose bibs - no valves required

ice maker

2 tubs

WATER HEATER ELECTRIC 40 GALLON

Gas Furnace



1
A-4 **PLUMBING PLAN**
SCALE: 1/4" = 1'-0"

SHEET NO. A-4	MODEL BIRCH	SET NO. BRH00
OPTION DESCRIPTION PLUMBING PLAN	DRAWING TITLE	VERSION 01
14	DATE:	DRAWN BY
	OPTION	

NVR
NVR, Inc., Suite 100
5285 Westwick, Frederick, MD 21703

© NVR, Inc., expressly reserves its copyright and other property rights in these plans. These plans are not to be reproduced, stored in a retrieval system, or copied in any form or manner whatsoever, nor are they to be used for any project without the prior written consent of NVR, Inc.

DIV-COMM-LOT-UNIT DCY-S2-0355	
COMM-LOT	SAVYERS MILL - SIMPLY RYAN - 0355
STREET ADDRESS	5453 MARY SPRINGS DR
CITY	MIDDLETOWN
STATE	OH
ZIP	45042

LEGEND	
	BEARING WALL
	NON BEARING WALL
	INDICATES BEARING FROM POINT-LOAD ABOVE
	JACKS
	BEAM/HEADER
	PAD FOOTING
	STEEL COLUMN
	TRUSS TIE DOWN
	PORTAL FRAME
	JOIST/TRUSS
	LVL
	ENGINEERING PAGE NUMBER

SEE FC DETAILS FOR FRAMING CONNECTORS

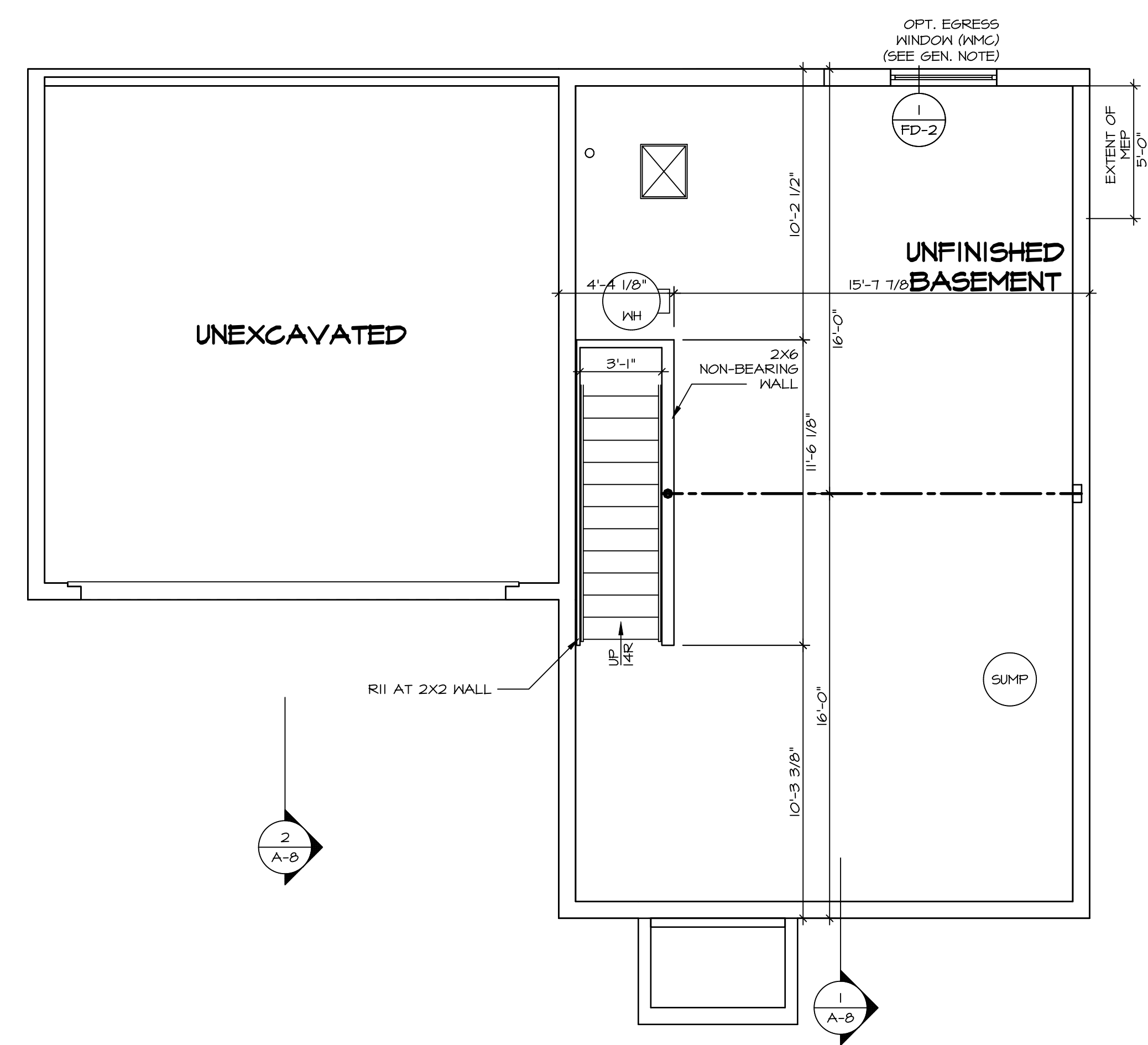
FLOOR PLAN NOTES RYAN

- ALL HEADERS ARE (2) 2x6 w/ 2x4 WALLS OR (3) 2x6 w/ 2x6 WALLS, UNLESS OTHERWISE NOTED.
- ALL HEADERS TO HAVE (1) 2x4 OR 2x6 JACK AND KING STUD EACH END, UNLESS OTHERWISE NOTED. MULTI-OPENING HEADERS TO HAVE (2) JACKS AT INTERMEDIATE BEARING, UNLESS OTHERWISE NOTED. NO ADDITIONAL FLOOR SYSTEM BLOCKING OR CONTINUOUS LOAD PATH JACKS ARE REQUIRED UNLESS OTHERWISE NOTED.
- ALL EXTERIOR WALLS TO BE 4" w/ OSB OR 3 1/2" w/ LAMINATED FIBROUS STRUCTURAL SHEATHING, ALL INTERIOR WALLS TO BE 3 1/2", UNLESS OTHERWISE NOTED. HATCHED AREAS INDICATE DROPPED CEILINGS. ALL DROPPED CEILINGS ARE 12" UNLESS OTHERWISE NOTED.
- SEE "BRACED WALL PANEL DETAIL SHEET" FOR SPECIAL WALL FRAMING LOCATIONS AND HEADER SIZES, IF APPLICABLE.
- SEE STANDARD DETAIL CATEGORY "IT" SHEET(S) FOR INTERIOR TRIM DETAILS.
- SEE ARCHITECTURAL DETAIL SHEET "AD" FOR HOUSE SPECIFIC INTERIOR TRIM OPTION TABLE.
- ALL HEADERS IN NON-BEARING WALLS SHALL BE A SINGLE FLAT 2x4 OR 2x6 ATTACHED TO CRIPPLES ABOVE, UNLESS OTHERWISE NOTED.
- TANKED WATER HEATER SHOWN AS BASE CONDITION. OPTIONAL TANKLESS WATER HEATER IS AVAILABLE IN LIEU OF TANKED WATER HEATER.

GYP SUM NOTES

AT GARAGE:
GYPSUM BOARD AT COMMON WALLS, CEILINGS, BEAM WRAPS AND SUPPORTS PER STANDARD DETAIL FA-1(b) FIRE ASSEMBLIES OR AS REQUIRED BY LOCAL CODE.

AT STAIRS:
1/2" GYPSUM BOARD AT UNDERSIDE OF STAIRS AND WALLS IN CLOSET



BASEMENT JACK SCHEDULE		
IDENTIFIER	DESCRIPTION	ENG. NUM.

BASEMENT FLOOR PLAN
SCALE: 1/4" = 1'-0"

MODEL: BIRCH
DRAWING TITLE: BASEMENT FLOOR PLAN
OPTION DESCRIPTION: 16

SHEET NO.: A-5

SET NO.: BRH00
VERSION: 01
DRAWN BY:
DATE:
OPTION:

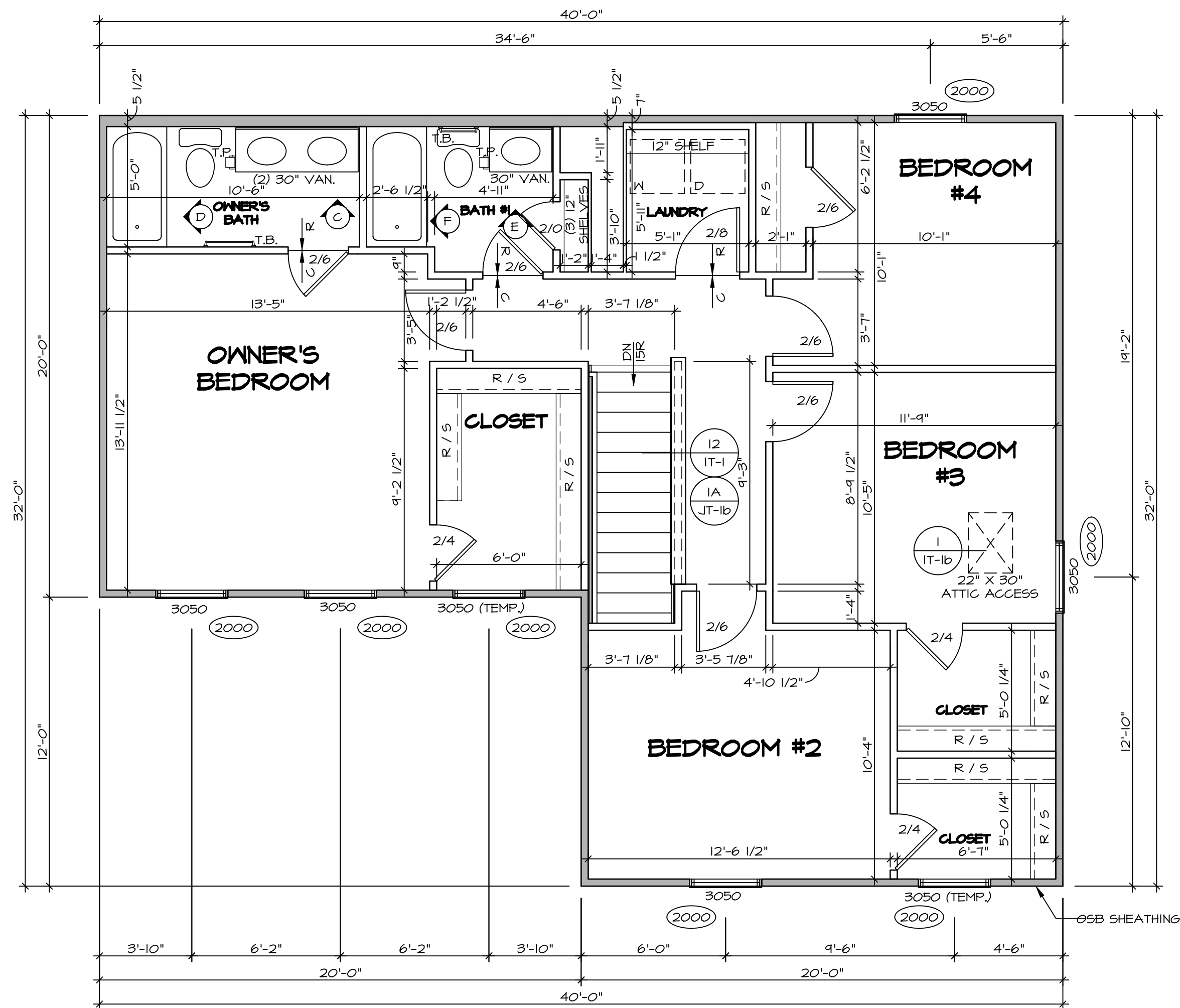
USER: BIRCH

DIV-COMM-LOT-UNIT: DCY-S2-0355
COM-LOT: SAUYERS MILL - SIMPLY RYAN - 0355
STREET ADDRESS: 5953 MARY SPRINGS DR
CITY: MIDDLETOWN OH
STATE: OH
ZIP: 45042

© NVR, Inc., expressly reserves its copyright and other property rights in these plans. These plans are not to be reproduced, stored in a retrieval system, or copied in any form or manner whatsoever, nor are they to be used for any project without the prior written consent of NVR, Inc.

NVR
NVR, Inc., Suite 100
5285 Westchase
Frederick, MD 21703

C:\NVR\Solmes\BIRCH_BRH00_01\DCY-S2-0355\2795182\Streets\Lot Specific\16 A-5 BSM1_LS.dwg 03/22/23 - 3:32 am



1
A-7
SECOND FLOOR PLAN
SCALE: 1/4" = 1'-0"

LEGEND	
	BEARING WALL
	NON BEARING WALL
	INDICATES BEARING FROM POINT-LOAD ABOVE
	JACKS
	BEAM/HEADER
	PAD FOOTING
	STEEL COLUMN
	TRUSS TIE DOWN
	PORTAL FRAME
	JOIST/TRUSS
	LVL
	ENGINEERING PAGE NUMBER

SEE FC DETAILS FOR FRAMING CONNECTORS

ALL WINDOWS HAVE 1/2" 5/8" HEADER HEIGHT UNLESS OTHERWISE NOTED

FLOOR PLAN NOTES RYAN

- ALL HEADERS ARE (2) 2x6 w/ 2x4 WALLS OR (3) 2x6 w/ 2x6 WALLS, UNLESS OTHERWISE NOTED.
- ALL HEADERS TO HAVE (1) 2x4 OR 2x6 JACK AND KING STUD EACH END, UNLESS OTHERWISE NOTED. MULTI-OPENING HEADERS TO HAVE (2) JACKS AT INTERMEDIATE BEARING, UNLESS OTHERWISE NOTED. NO ADDITIONAL FLOOR SYSTEM BLOCKING OR CONTINUOUS LOAD PATH JACKS ARE REQUIRED UNLESS OTHERWISE NOTED.
- ALL EXTERIOR WALLS TO BE 4" w/ OSB OR 3 1/2" w/ LAMINATED FIBROUS STRUCTURAL SHEATHING. ALL INTERIOR WALLS TO BE 3 1/2" UNLESS OTHERWISE NOTED.
- HATCHED AREAS INDICATE DROPPED CEILING. ALL DROPPED CEILING ARE 12" UNLESS OTHERWISE NOTED.
- SEE BRACED WALL PANEL DETAIL SHEET FOR SPECIAL WALL FRAMING LOCATIONS AND HEADER SIZES, IF APPLICABLE.
- SEE STANDARD DETAIL CATEGORY "IT" SHEET(S) FOR INTERIOR TRIM DETAILS.
- SEE ARCHITECTURAL DETAIL SHEET "AD" FOR HOUSE SPECIFIC INTERIOR TRIM OPTION TABLE.
- ALL HEADERS IN NON-BEARING WALLS SHALL BE A SINGLE FLAT 2x4 OR 2x6 ATTACHED TO CRIPPLES ABOVE, UNLESS OTHERWISE NOTED.
- TANKED WATER HEATER SHOWN AS BASE CONDITION, OPTIONAL TANKLESS WATER HEATER IS AVAILABLE IN LIEU OF TANKED WATER HEATER.

GYPSUM NOTES

AT GARAGE:
GYPSUM BOARD AT COMMON WALLS, CEILING, BEAM WRAPS AND SUPPORTS PER STANDARD DETAIL FA-1(b) FIRE ASSEMBLIES OR AS REQUIRED BY LOCAL CODE.

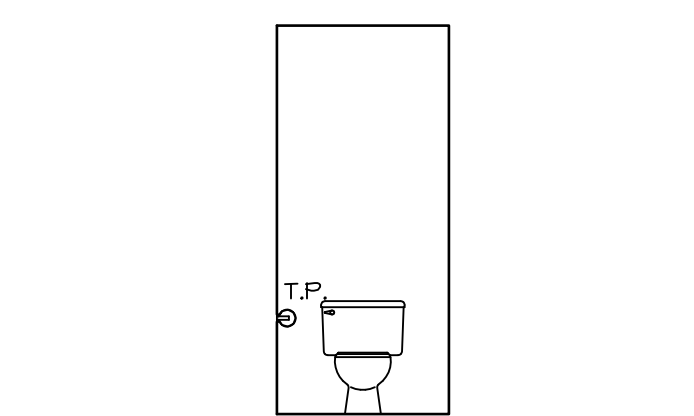
AT STAIRS:
1/2" GYPSUM BOARD AT UNDERSIDE OF STAIRS AND WALLS IN CLOSET

SHEET NO. A-7	MODEL BIRCH	SET NO. BRH00	VERSION 01
		DRAWING TITLE SECOND FLOOR PLAN	DRAWN BY
18	OPTION DESCRIPTION	DATE:	OPTION
		C:\NVR\Solmes\BIRCH_BRH00_01\DCY-S2-0355\2795182\Streets\Lot Specific\18 A-7 PIN2_LS.dwg 03/22/23 - 3:53 am	

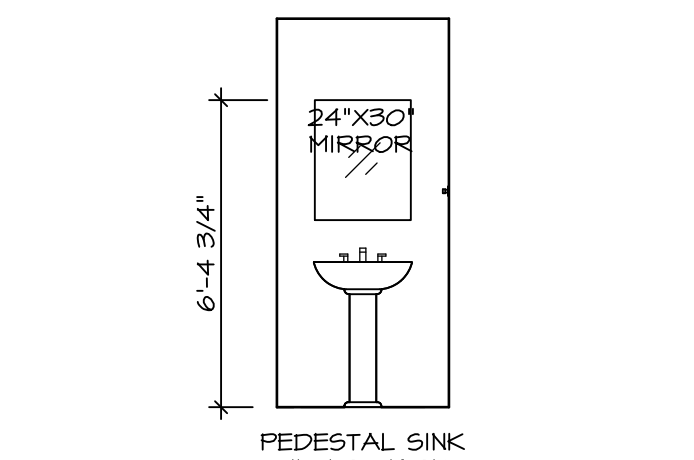
DIV-COMM-LOT-UNIT DCY-S2-0355	
COM-LOT	SAMYERS MILL - SIMPLY RYAN - 0355
STREET ADDRESS	5953 MARY SPRINGS DR
APT. NO.	----
CITY	MIDDLETOWN
STATE	OH
ZIP	45042

NVR, Inc., Suite 100 5285 Westwick, Frederick, MD 21703	

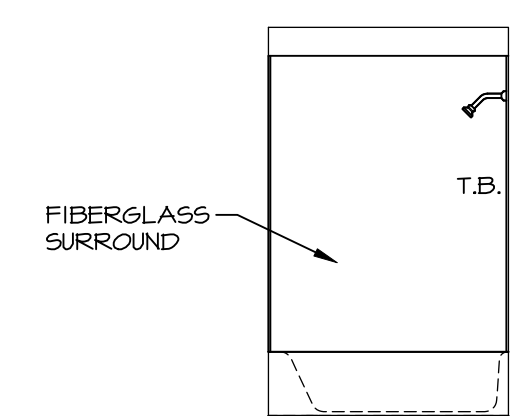
NVR, Inc., expressly reserves its copyright and other property rights in these plans. These plans are not to be reproduced, stored in a retrieval system, or copied in any form or manner whatsoever, nor are they to be used for any project without the express written consent of NVR, Inc.



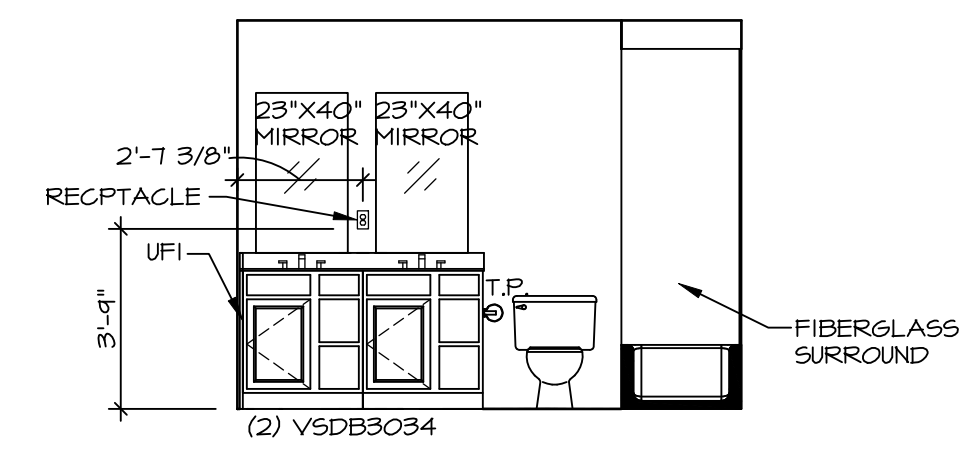
B POWDER ROOM
SCALE: 1/4" = 1'-0"



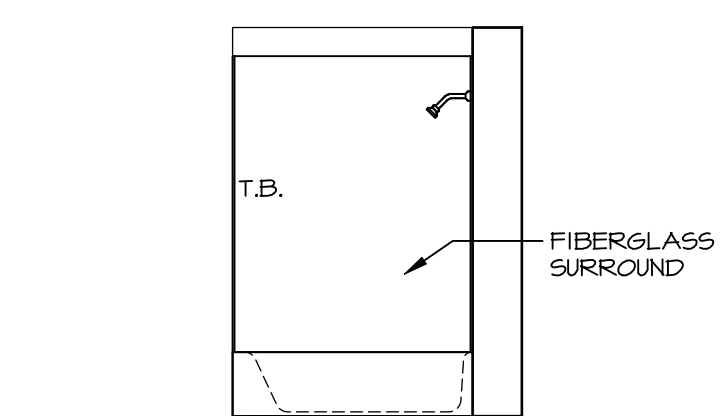
A POWDER ROOM
SCALE: 1/4" = 1'-0"



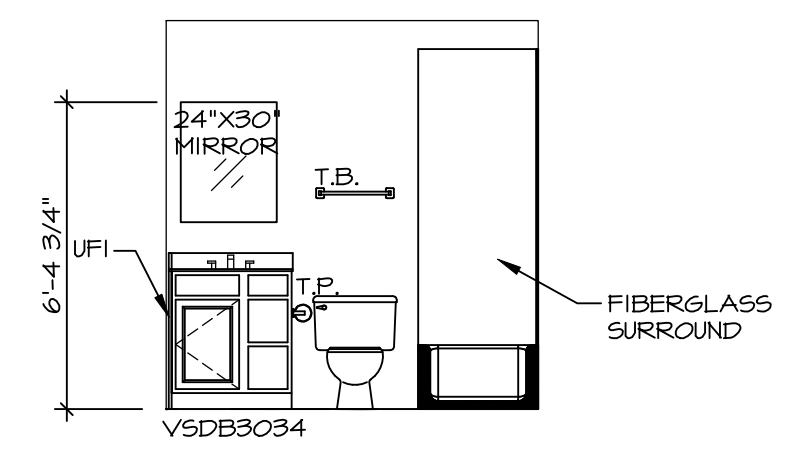
D OWNER'S BATH
SCALE: 1/4" = 1'-0"



C OWNER'S BATH
SCALE: 1/4" = 1'-0"



F BATH # 1
SCALE: 1/4" = 1'-0"



E BATH # 1
SCALE: 1/4" = 1'-0"

- NOTES:**
1. TEMPERED GLASS SHOWER ENCLOSURE WITH SWING DOOR OR OPTIONAL SLIDING DOOR BY DIVISION.
 2. TUB ACCESS PANELS PROVIDED AS NEEDED, ALL MATERIALS BY DIVISION.
 3. ALL BATH ELEVATIONS ARE SHOWN PER PLAN.
 4. ALL V5DB24-42 DRAWERS TO BE SET ON RIGHT HAND.

SHEET NO. A-11	MODEL BIRCH	SET NO. BRH00
	DRAWING TITLE BATH ELEVATIONS	VERSION 01
	OPTION DESCRIPTION	DRAWN BY
22		DATE:
		OPTION

NVR
NVR, Inc., Suite 100
5285 Westchase, Frederick, MD 21703

© NVR, Inc., expressly reserves its copyright and other property rights in these plans. These plans are not to be reproduced, stored in a retrieval system, or copied in any form or manner whatsoever, nor are they to be used for any project without the express written consent of NVR, Inc.

DIV-COMM-LOT-UNIT DCY-S2-0355	
COM-LOT	APT. NO.
SAMYERS MILL - SIMPLY RYAN - 0355	----
STREET ADDRESS 5455 MARY SPRINGS DR	CITY
	MIDDLETOWN
STATE	OH
ZIP	45042