

S2 398
6881 RIVERVIEW AVENUE
MIDDLETOWN, OH 45042

2 Story Basement

2 hose bibs - no valves required

Vent Kitchen

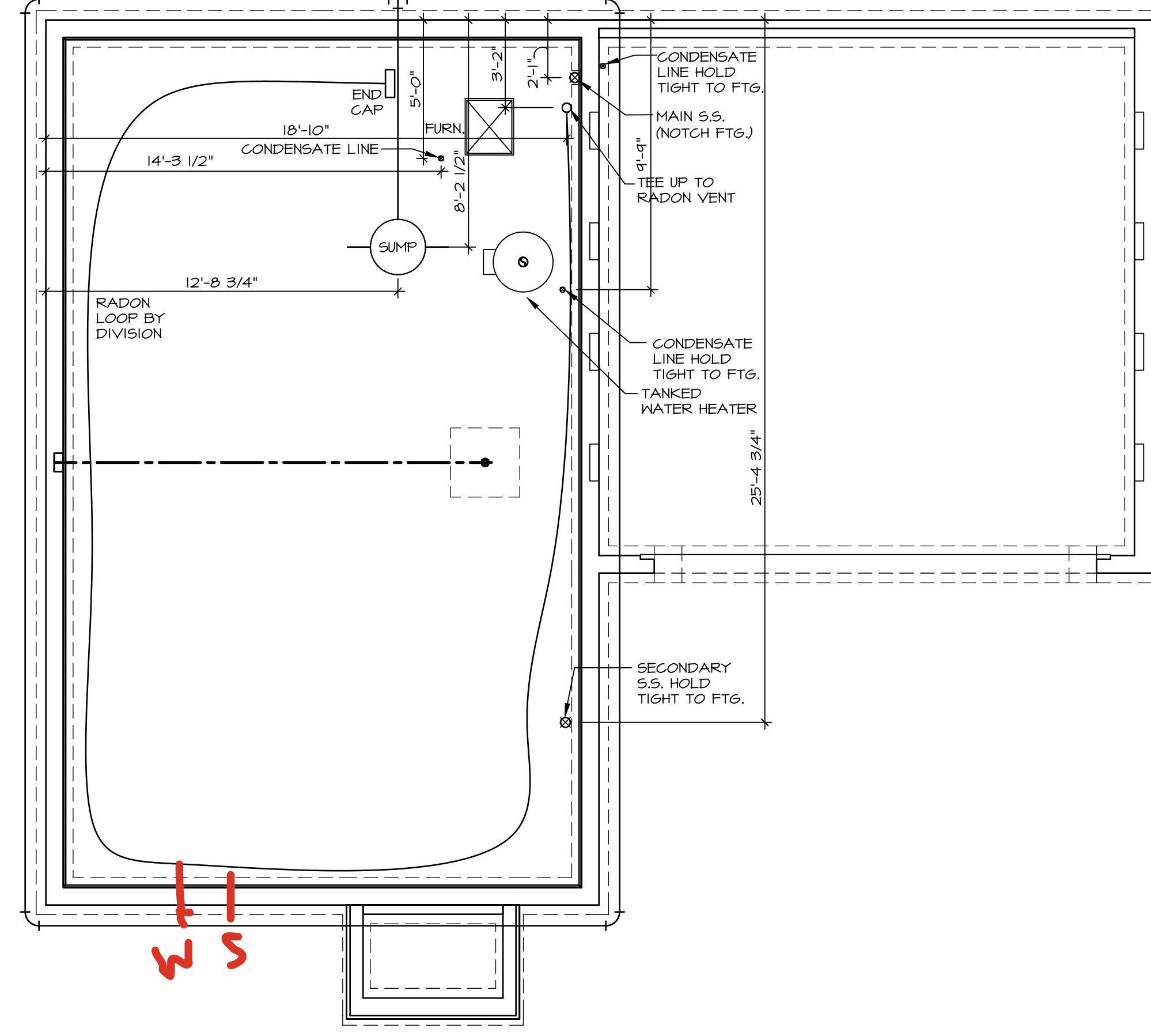
ice maker

2 tubs

WATER HEATER ELECTRIC 50 GALLON

Inside Water Meter setup

Gas Furnace



1
A-4 **PLUMBING PLAN**
SCALE: 1/4" = 1'-0"

SHEET NO. A-4	MODEL BIRCH	SET NO. BRH00
OPTION DESCRIPTION PLUMBING	VERSION 01	RELEASE NO. ----
10	DRAWN BY DATE:	OPTION

NVR
NVR, Inc., Suite 100
5285 Westview
Frederick, MD 21703

© NVR, Inc., expressly reserves its copyright and other property rights in these plans. These plans are not to be reproduced, stored in a retrieval system, or copied in any form or manner whatsoever, nor are they to be used for any project without the prior written consent of NVR, Inc.

DIV-COMM-LOT-UNIT DCY-S2-0398	
COMM-LOT	SAIYERS MILL - SIMPLY RYAN - 0398
STREET ADDRESS	6880 RIVERVIEW AVENUE
CITY	MIDDLETOWN
STATE	OH
ZIP	45042

FIRST FLOOR JACK SCHEDULE		
IDENTIFIER	DESCRIPTION	ENG. N.M.
J100	JACK - (4) 2X4 SPF STUD GRADE	1004
J101	JACK - (2) 2X4 SPF STUD GRADE	1002
J102	JACK - (3) 2X4 SPF STUD GRADE	1015
J103	JACK - (3) 2X4 SPF STUD GRADE	1015
J104	JACK - (4) 2X4 SPF STUD GRADE	1004
J105	JACK - (2) 2X4 SPF STUD GRADE	1008
J106	JACK - (2) 2X4 SPF STUD GRADE	1008

LEGEND	
	BEARING WALL
	NON BEARING WALL
	INDICATES BEARING FROM POINT-LOAD ABOVE
	JACKS
	BEAM/HEADER
	PAD FOOTING
	STEEL COLUMN
	TRUSS TIE DOWN
	PORTAL FRAME
	JOIST/TRUSS
	LVL
	ENGINEERING PAGE NUMBER

SEE FC DETAILS FOR FRAMING CONNECTORS

ALL WINDOWS HAVE 1 1/2" HEADER HEIGHT UNLESS OTHERWISE NOTED

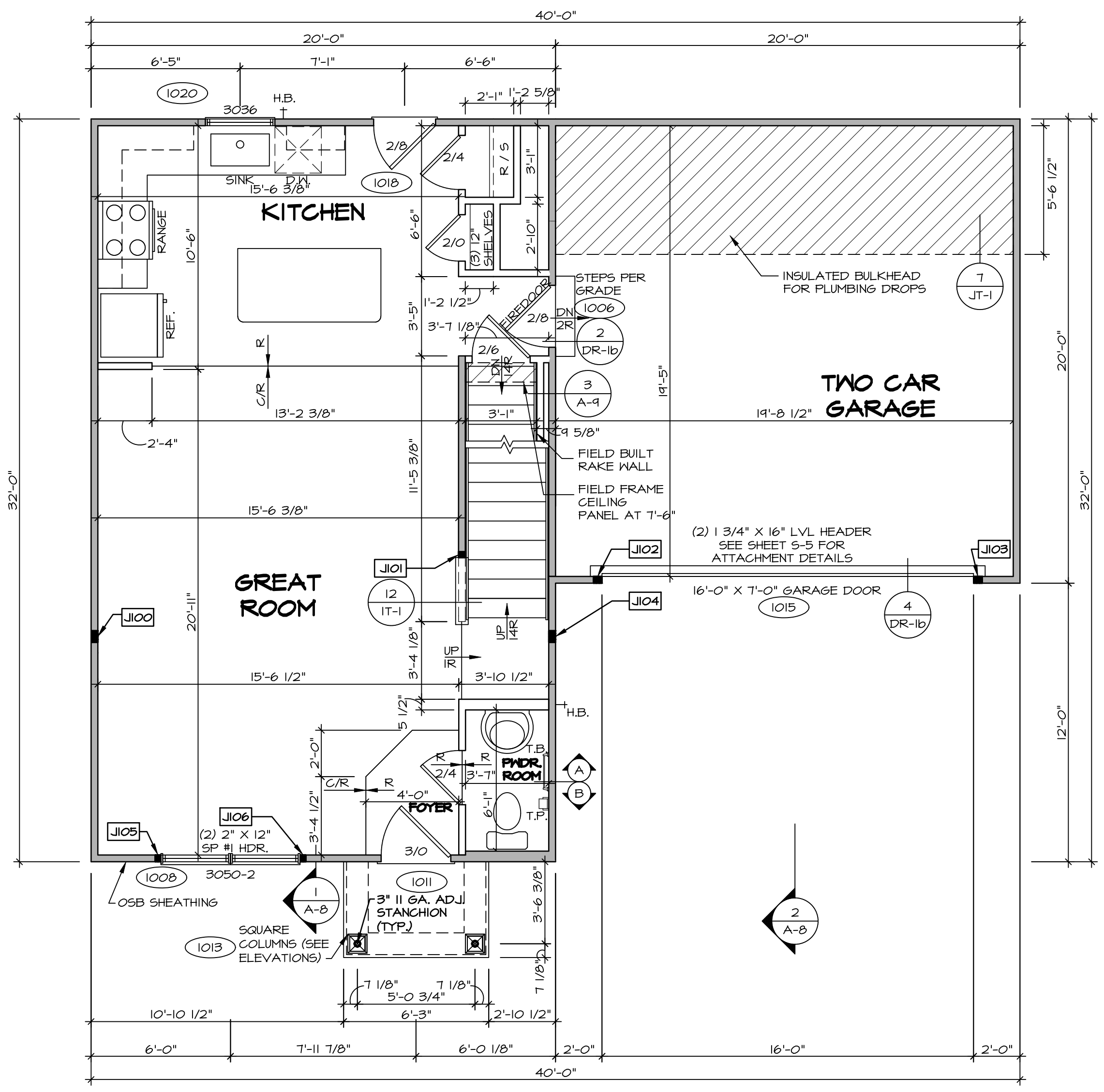
FLOOR PLAN NOTES RYAN

- ALL HEADERS ARE (2) 2x6 w/ 2x4 WALLS OR (3) 2x6 w/ 2x6 WALLS, UNLESS OTHERWISE NOTED.
- ALL HEADERS TO HAVE (1) 2x4 OR 2x6 JACK AND KING STUD EACH END, UNLESS OTHERWISE NOTED. MULTI-OPENING HEADERS TO HAVE (2) JACKS AT INTERMEDIATE BEARING, UNLESS OTHERWISE NOTED. NO ADDITIONAL FLOOR SYSTEM BLOCKING OR CONTINUOUS LOAD PATH JACKS ARE REQUIRED UNLESS OTHERWISE NOTED.
- ALL EXTERIOR WALLS TO BE 4" w/ OSB OR 3 1/2" w/ LAMINATED FIBROUS STRUCTURAL SHEATHING. ALL INTERIOR WALLS TO BE 3 1/2" UNLESS OTHERWISE NOTED. HATCHED AREAS INDICATE DROPPED CEILINGS. ALL DROPPED CEILINGS ARE 12" UNLESS OTHERWISE NOTED.
- SEE BRACED WALL PANEL DETAIL SHEET FOR SPECIAL WALL FRAMING LOCATIONS AND HEADER SIZES, IF APPLICABLE.
- SEE STANDARD DETAIL CATEGORY "IT" SHEET(S) FOR INTERIOR TRIM DETAILS.
- SEE ARCHITECTURAL DETAIL SHEET "AD" FOR HOUSE SPECIFIC INTERIOR TRIM OPTION TABLE.
- ALL HEADERS IN NON-BEARING WALLS SHALL BE A SINGLE FLAT 2x4 OR 2x6 ATTACHED TO CRIPPLES ABOVE UNLESS OTHERWISE NOTED.
- TANKED WATER HEATER SHOWN AS BASE CONDITION, OPTIONAL TANKLESS WATER HEATER IS AVAILABLE IN LIEU OF TANKED WATER HEATER.

GYPSUM NOTES

AT GARAGE:
GYPSUM BOARD AT COMMON WALLS, CEILINGS, BEAM WRAPS AND SUPPORTS PER STANDARD DETAIL FA-1(b) FIRE ASSEMBLIES OR AS REQUIRED BY LOCAL CODE.

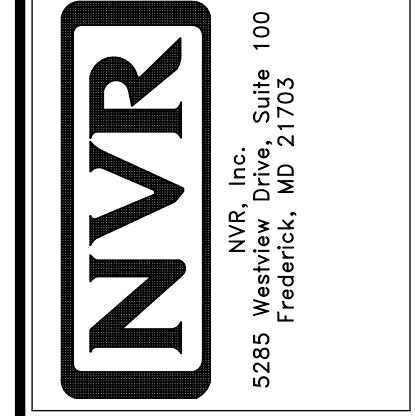
AT STAIRS:
1/2" GYPSUM BOARD AT UNDERSIDE OF STAIRS AND WALLS IN CLOSET



FIRST FLOOR PLAN
SCALE: 1/4" = 1'-0"

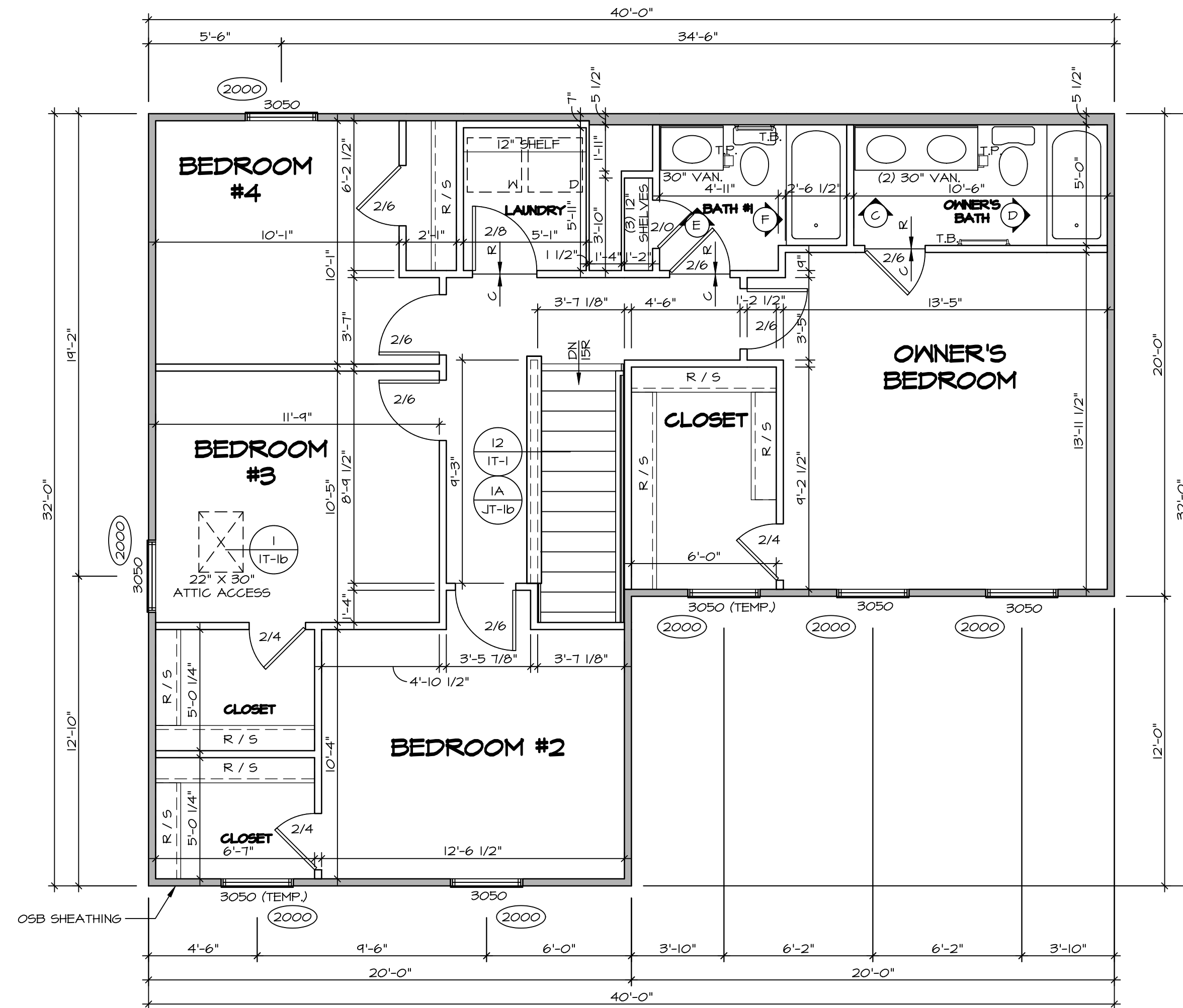
DIV-COMM-LOT-UNIT
DCY-S2-0398
COM-LOT
SAATERS MILL - SIMPLY RYAN - 0398
STREET ADDRESS
688 RIVERVIEW AVENUE
CITY MIDDLETOWN STATE OH ZIP 45042

NVR, Inc. expressly reserves its copyright and other property rights in these plans. These plans are not to be reproduced, stored in a retrieval system, or transmitted in any form or by any means, electronic, mechanical, photocopying, recording, or otherwise, without the prior written consent of NVR, Inc.



SET NO. BRH00
VERSION 01
RELEASE NO. ----
DRAWN BY
DATE:
OPTION

SHEET NO. **A-6**
MODEL **BIRCH**
DRAWING TITLE **FIRST FLOOR PLAN**
OPTION DESCRIPTION
12



1
A-7
SECOND FLOOR PLAN
SCALE: 1/4" = 1'-0"

LEGEND	
	BEARING WALL
	NON BEARING WALL
	INDICATES BEARING FROM POINT-LOAD ABOVE
	JACKS
	BEAM/HEADER
	PAD FOOTING
	STEEL COLUMN
	TRUSS TIE DOWN
	PORTAL FRAME
	JOIST/TRUSS
	LVL
	ENGINEERING PAGE NUMBER

SEE FC DETAILS FOR FRAMING CONNECTORS

ALL WINDOWS HAVE 1 1/2" 5/8" HEADER HEIGHT UNLESS OTHERWISE NOTED

FLOOR PLAN NOTES RYAN

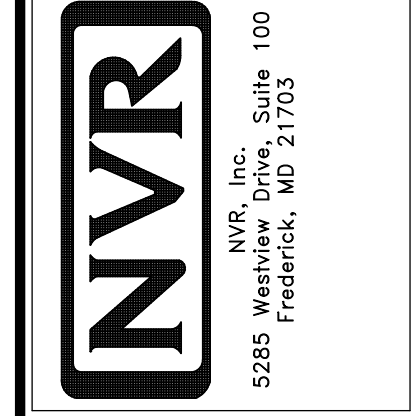
- ALL HEADERS ARE (2) 2x6 w/ 2x4 WALLS OR (3) 2x6 w/ 2x6 WALLS, UNLESS OTHERWISE NOTED.
- ALL HEADERS TO HAVE (1) 2x4 OR 2x6 JACK AND KING STUD EACH END, UNLESS OTHERWISE NOTED. MULTI-OPENING HEADERS TO HAVE (2) JACKS AT INTERMEDIATE BEARING, UNLESS OTHERWISE NOTED. NO ADDITIONAL FLOOR SYSTEM BLOCKING OR CONTINUOUS LOAD PATH JACKS ARE REQUIRED UNLESS OTHERWISE NOTED.
- ALL EXTERIOR WALLS TO BE 4" w/ OSB OR 3 1/2" w/ LAMINATED FIBROUS STRUCTURAL SHEATHING. ALL INTERIOR WALLS TO BE 3 1/2" UNLESS OTHERWISE NOTED.
- HATCHED AREAS INDICATE DROPPED CEILINGS. ALL DROPPED CEILINGS ARE 12" UNLESS OTHERWISE NOTED.
- SEE BRACED WALL PANEL DETAIL SHEET FOR SPECIAL WALL FRAMING LOCATIONS AND HEADER SIZES, IF APPLICABLE.
- SEE STANDARD DETAIL CATEGORY "IT" SHEET(S) FOR INTERIOR TRIM DETAILS.
- SEE ARCHITECTURAL DETAIL SHEET "AD" FOR HOUSE SPECIFIC INTERIOR TRIM OPTION TABLE.
- ALL HEADERS IN NON-BEARING WALLS SHALL BE A SINGLE FLAT 2x4 OR 2x6 ATTACHED TO CRIPPLES ABOVE, UNLESS OTHERWISE NOTED.
- TANKED WATER HEATER SHOWN AS BASE CONDITION, OPTIONAL TANKLESS WATER HEATER IS AVAILABLE IN LIEU OF TANKED WATER HEATER.

GYPSUM NOTES

- AT GARAGE:**
GYPSUM BOARD AT COMMON WALLS, CEILINGS, BEAM WRAPS AND SUPPORTS PER STANDARD DETAIL FA-1(b) FIRE ASSEMBLIES OR AS REQUIRED BY LOCAL CODE.
- AT STAIRS:**
1/2" GYPSUM BOARD AT UNDERSIDE OF STAIRS AND WALLS IN CLOSET

PROJECT NO.	DCY-S2-0398
COMMITTEE	SAATERS MILL - SIMPLY RYAN - 0398
STREET ADDRESS	6800 RIVERVIEW AVENUE
CITY	MIDDLETOWN
STATE	OH
ZIP	45042

NVR, Inc., expressly reserves its copyright and other property rights in these plans. These plans are not to be reproduced, stored in a retrieval system, or transmitted in any form or by any means, electronic, mechanical, photocopying, recording, or otherwise, without the prior written consent of NVR, Inc.

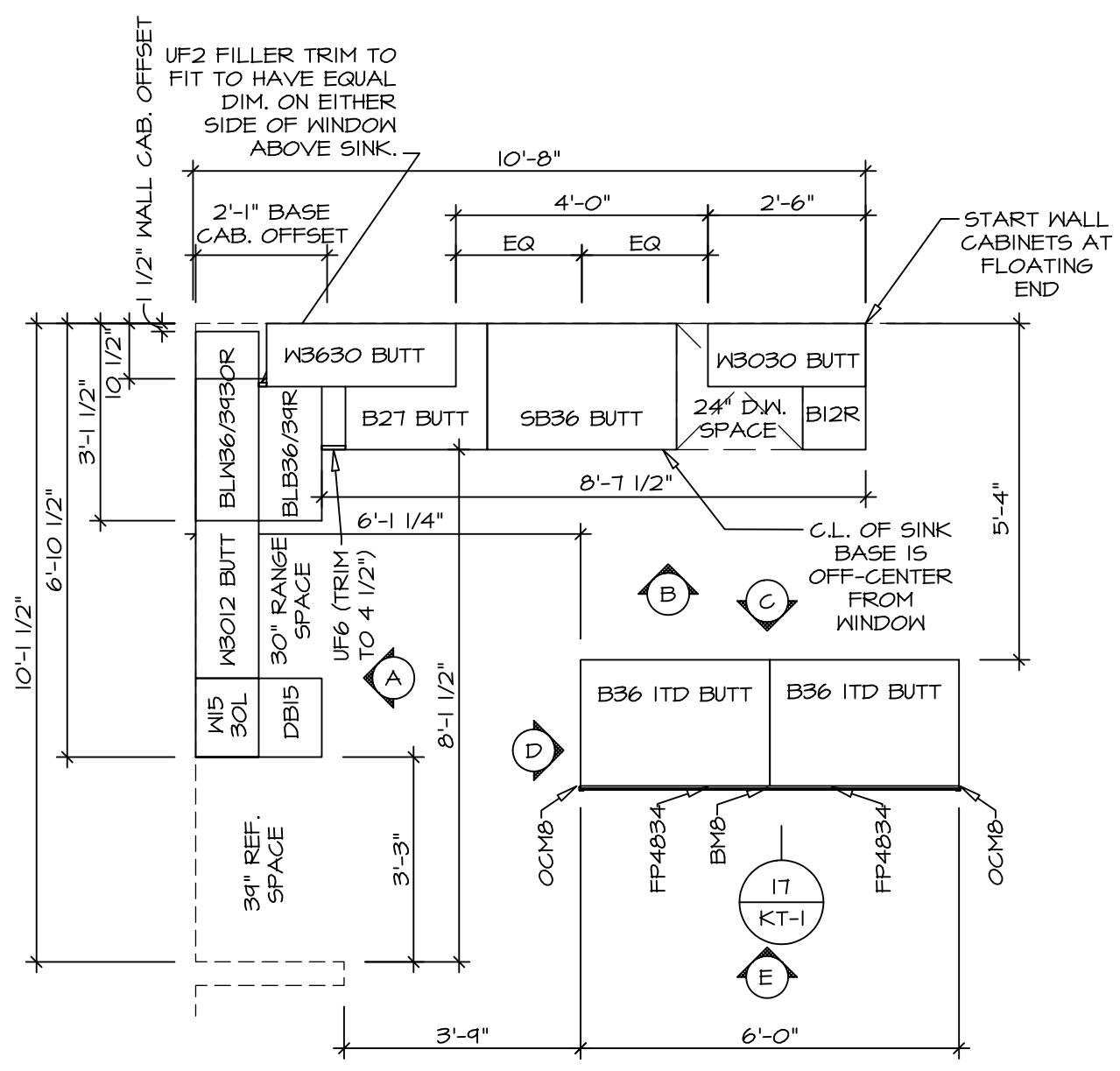


SET NO.	BRH00
VERSION	01
RELEASE NO.	----
DRAWN BY	
DATE:	
OPTION	

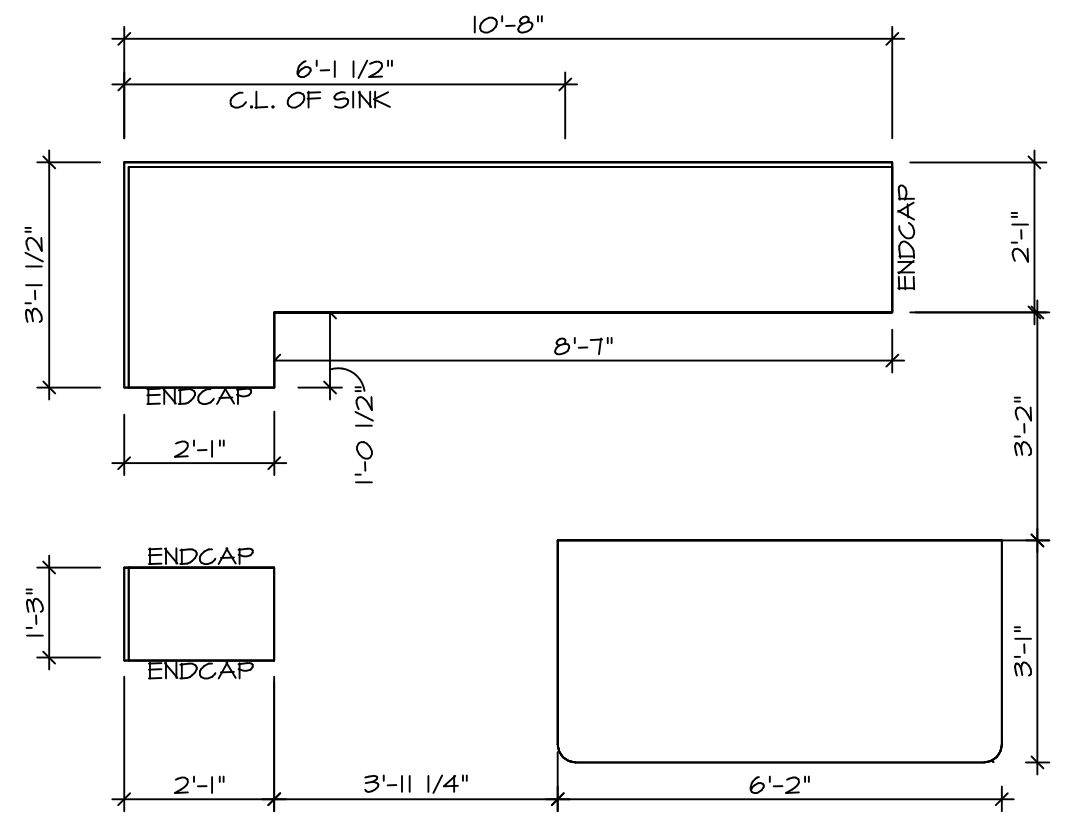
SHEET NO.	A-7
MODEL	BIRCH
DRAWING TITLE	SECOND FLOOR PLAN
OPTION DESCRIPTION	
	13

NOTES:
 CABINETS ARE NOT REPRESENTATIVE OF ALL STYLES AND ARE MEANT AS A GENERAL DEPICTION OF THE INTENDED CABINET LAYOUT

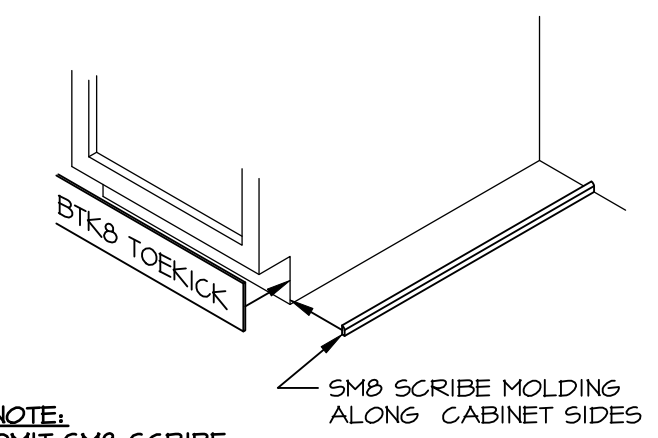
NOTES:
 1. CABINET LAYOUT (S) ARE BASED ON FINISHED DIMENSIONS TO DRYWALL.
 2. IF KITCHEN PLANS/ELEVATIONS CALL-OUT STANDARD MOLDING, REFER TO STANDARD DETAIL (IKT-I) FOR REPLACEMENT BASED ON CABINET STYLE.
 3. ALL (UF) FILLERS ARE TO BE "TRIM TO FIT" UNLESS OTHERWISE NOTED.
 4. CABINET MUST BE SET, SHIMMED, LEVELED AND PLUMB W/ ADJOINING BASE CABINETS.
 5. SET PRE-FINISHED SCRIBE-MOLDING AT CABINET BULKHEADS AND AT ENDS (WHERE CABINETS MEET DRYWALL.) PRE-FINISHED SCRIBE MOLDING SHALL BE USED TO PAD OUT CABINET SIDES AT STILE FOR RETURN PIECES OF THE FACE-MOUNTED CABINET CROWN MOLDING.



1 **KITCHEN CABINET PLAN KC-3638**
 SCALE: 3/8" = 1'-0"

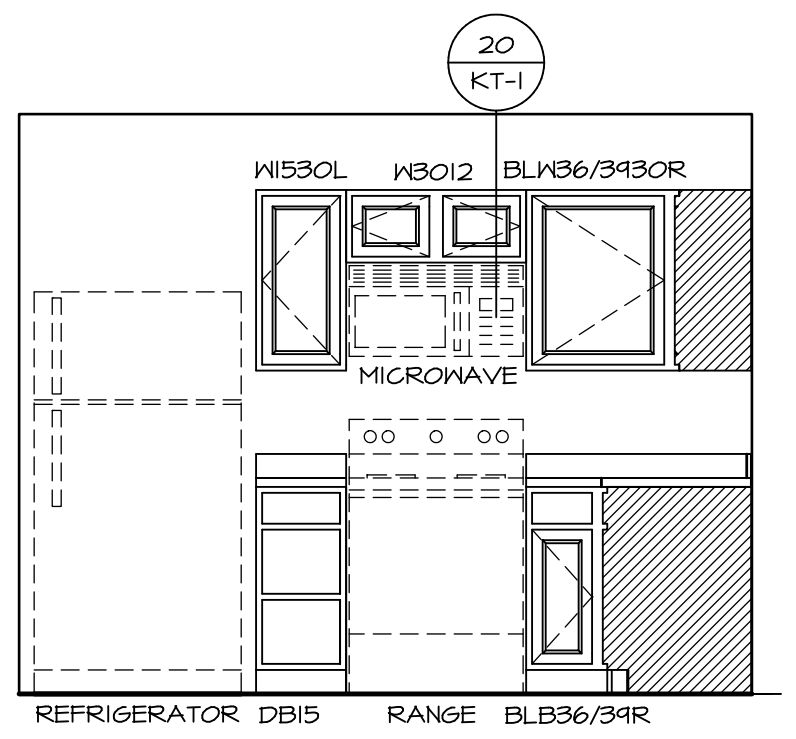


2 **KITCHEN COUNTERTOP PLAN KT-3638**
 SCALE: 3/8" = 1'-0"

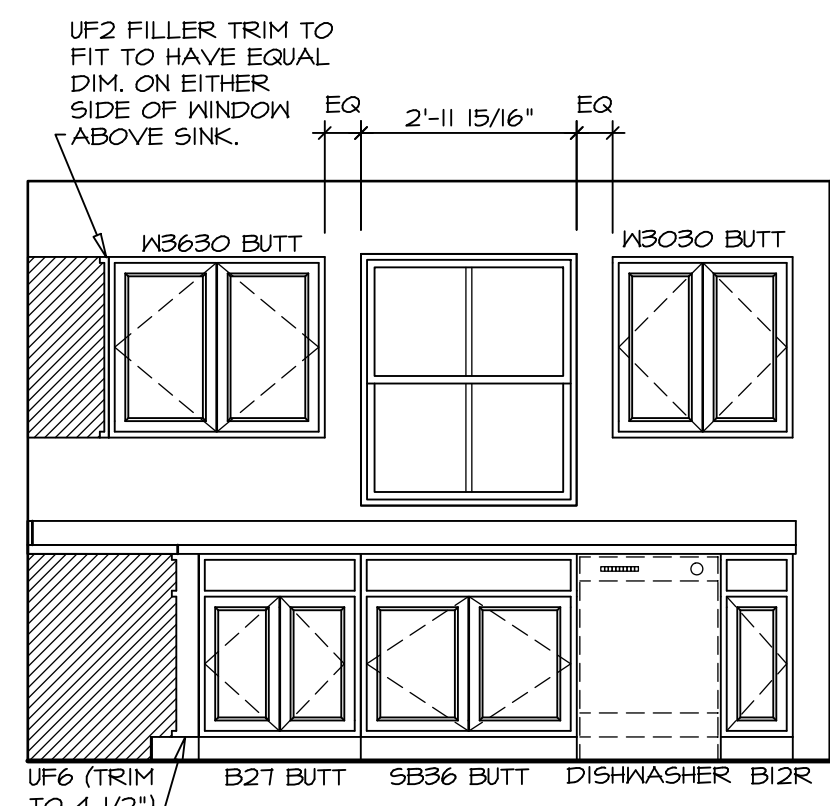


NOTE:
 OMIT SMO SCRIBE MOLDING AT DISHWASHER SPACES

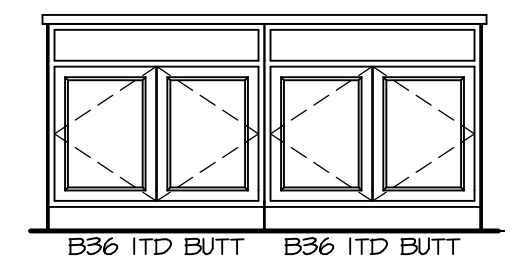
5 **TOEKICK / SCRIBE DETAIL**
 SCALE: 3/4" = 1'-0"



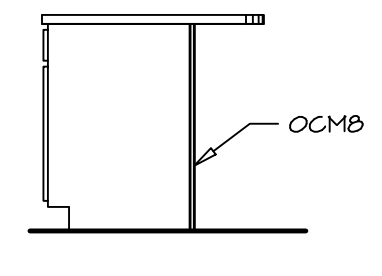
A **KITCHEN ELEVATION**
 SCALE: 3/8" = 1'-0"



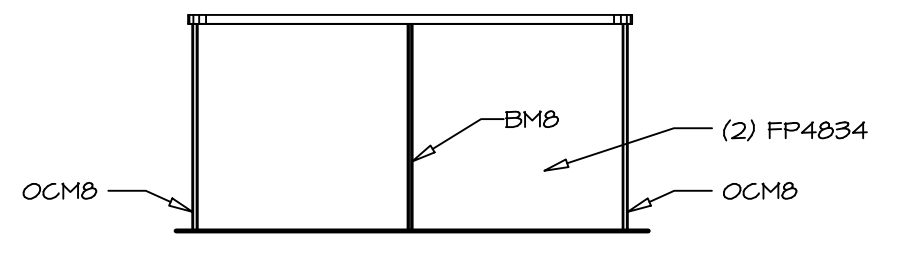
B **KITCHEN ELEVATION**
 SCALE: 3/8" = 1'-0"



C **KITCHEN ELEVATION**
 SCALE: 3/8" = 1'-0"



D **KITCHEN ELEVATION**
 SCALE: 3/8" = 1'-0"



E **KITCHEN ELEVATION**
 SCALE: 3/8" = 1'-0"

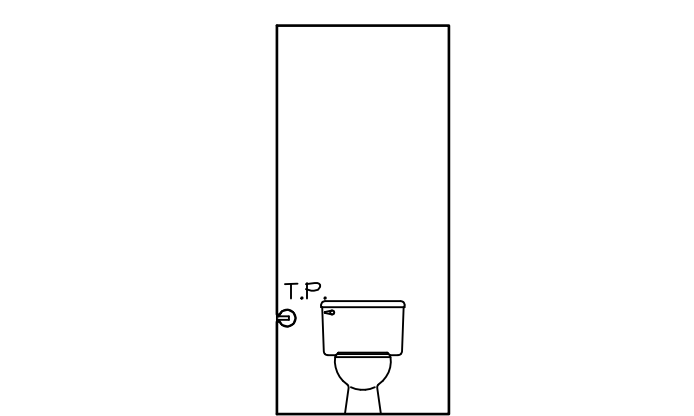
DIV-COMM-LOT-UNIT
DCY-S2-0398
 COM-LOT
 SAUTERS MILL - SIMPLY RYAN - 0398
 STREET ADDRESS
 6880 RIVERVIEW AVENUE
 CITY MIDDLETOWN STATE OH ZIP 45042

NVR, Inc., expressly reserves its copyright and other property rights in these plans. These plans are not to be copied, reproduced, or otherwise used in any form or manner whatsoever, nor are they to be used for any project without the prior written consent of NVR, Inc.

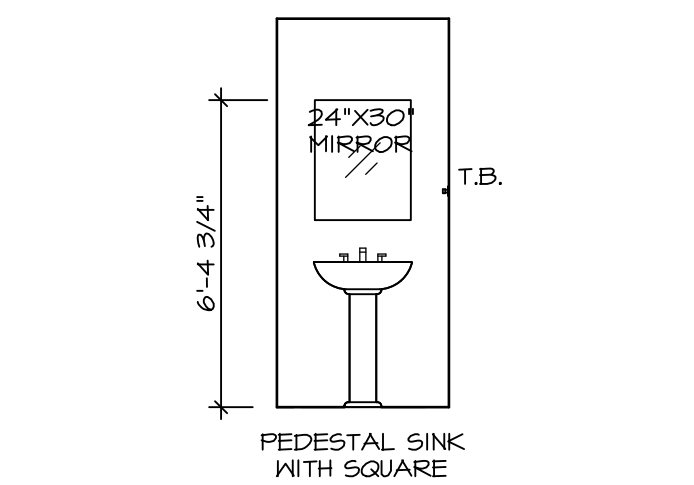
NVR
 NVR, Inc., Suite 100
 Frederick, MD 21703
 5285 Westwick, MD 21703

SET NO. BRH00
 VERSION 01
 RELEASE NO. ----
 DRAWN BY
 DATE:
 OPTION

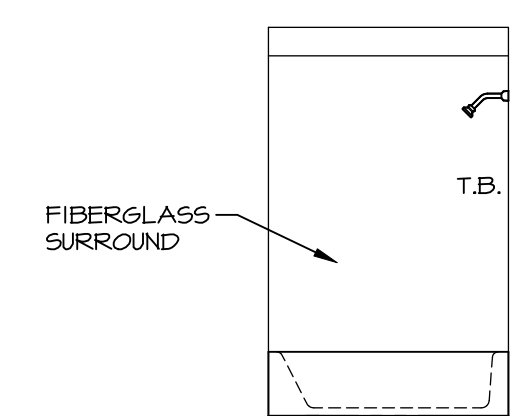
SHEET NO. **A-10**
 MODEL **BIRCH**
 DRAWING TITLE **KITCHEN**
 OPTION DESCRIPTION
 16



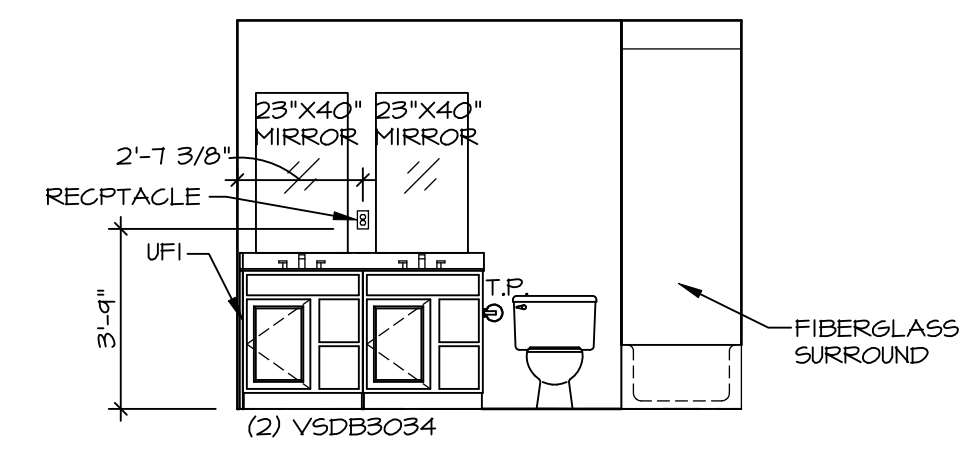
B POWDER ROOM
SCALE: 1/4" = 1'-0"



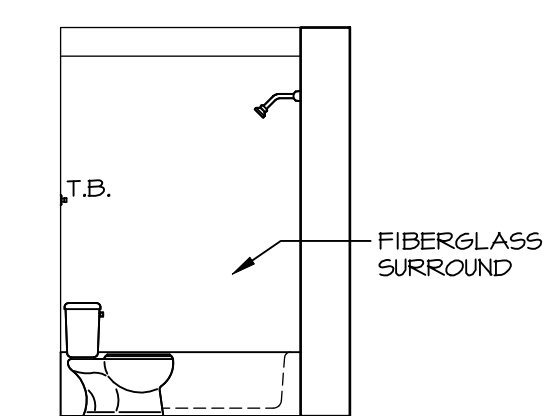
A POWDER ROOM
SCALE: 1/4" = 1'-0"



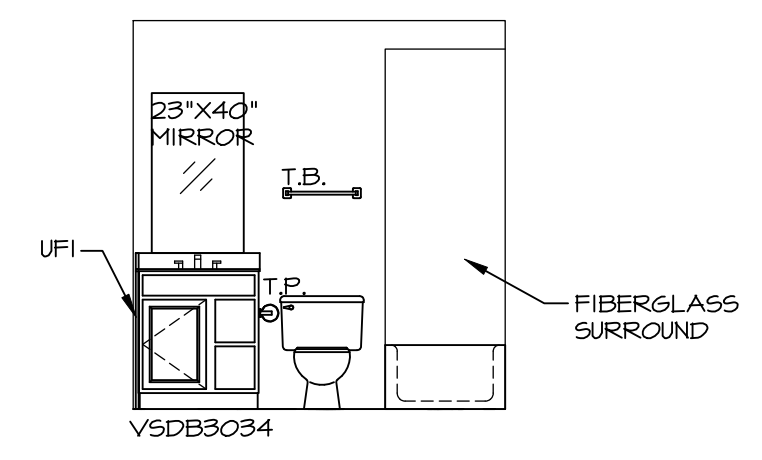
D OWNER'S BATH
SCALE: 1/4" = 1'-0"



C OWNER'S BATH
SCALE: 1/4" = 1'-0"



F BATH # 1
SCALE: 1/4" = 1'-0"



E BATH # 1
SCALE: 1/4" = 1'-0"

- NOTES:**
1. TEMPERED GLASS SHOWER ENCLOSURE WITH SWING DOOR OR OPTIONAL SLIDING DOOR BY DIVISION.
 2. TUB ACCESS PANELS PROVIDED AS NEEDED, ALL MATERIALS BY DIVISION.
 3. ALL BATH ELEVATIONS ARE SHOWN PER PLAN.
 4. ALL V5DB24-42 DRAWERS TO BE SET ON RIGHT HAND.

SHEET NO.	MODEL	SET NO.
A-11	BIRCH	BRH00
	DRAWING TITLE	VERSION 01
	BATH ELEVATIONS	RELEASE NO. ----
		DRAWN BY
		DATE:
		OPTION

NVR
NVR, Inc., Suite 100
5285 Westwood, Frederick, MD 21703

© NVR, Inc., expressly reserves its copyright and other property rights in these plans. These plans are not to be reproduced, stored in a retrieval system, or transmitted in any form or by any means, electronic, mechanical, photocopying, recording, or otherwise, without the prior written consent of NVR, Inc.

DIV-COMM-LOT-UNIT	DCY-S2-039B
COM-LOT	
STREET ADDRESS	SAMYERS MILL - SIMPLY RYAN - 039B
APT. NO.	----
CITY	MIDDLETOWN
STATE	OH
ZIP	45042