

S2 446
5004 BROOKLET WAY
MIDDLETOWN, OH 45042

2 Story Basement

2 hose bibs - no valves required

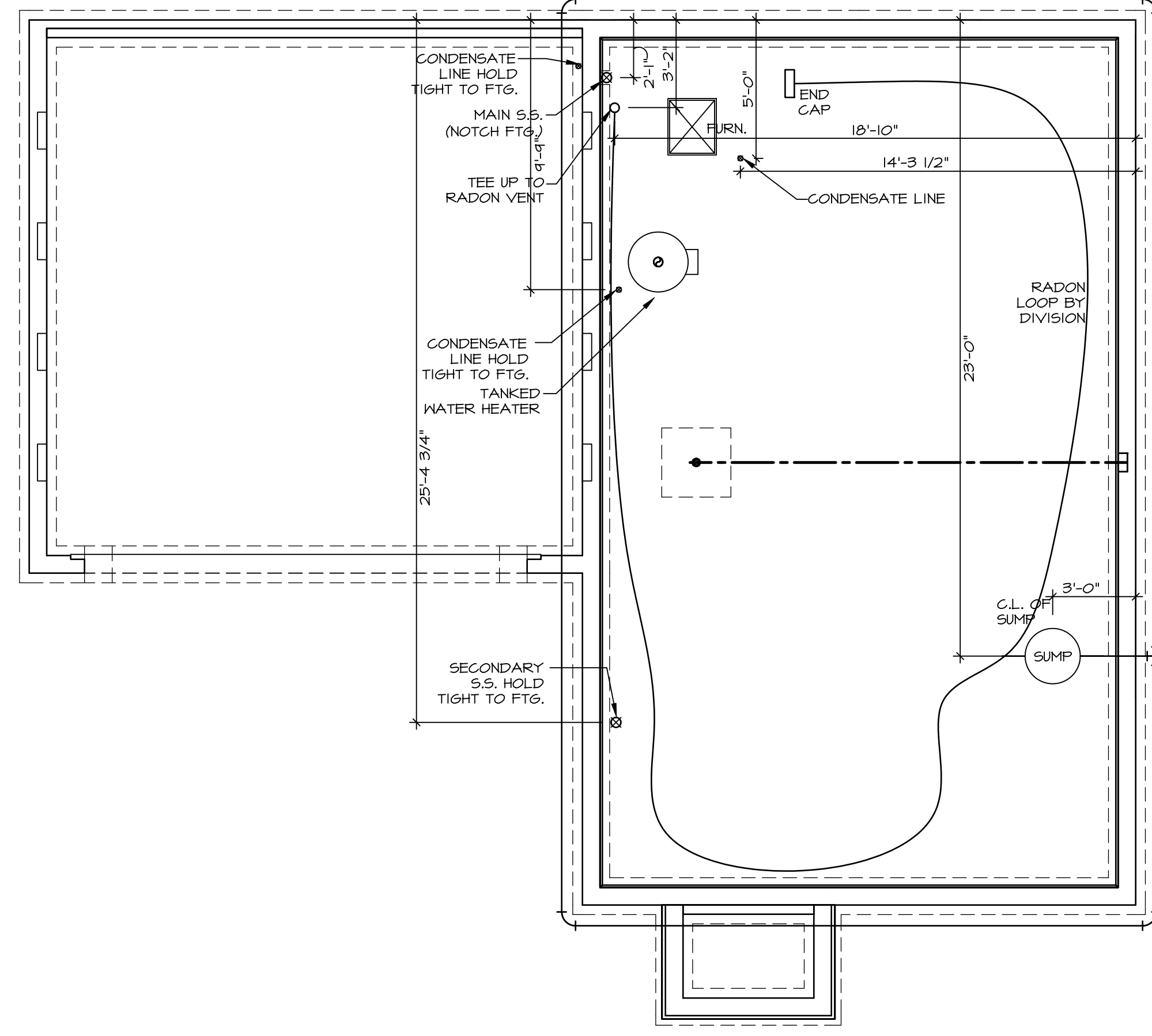
ice maker

2 tub

WATER HEATER ELECTRIC 50 GALLON

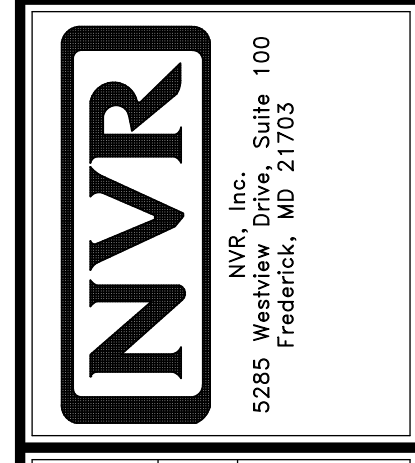
Inside Water Meter setup

Gas Furnace



PLUMBING PLAN
SCALE: 1/4" = 1'-0"

SHEET NO. A-4	MODEL BIRCH	SET NO. BRH00 VERSION 01 RELEASE NO. ---- DRAWN BY DATE: OPTION
10	DRAWING TITLE PLUMBING	OPTION DESCRIPTION



© NVR, Inc., expressly reserves its copyright and other property rights in these plans. These plans are not to be reproduced, stored in a retrieval system, or copied in any form or manner whatsoever, nor are they to be used for any project without the prior written consent of NVR, Inc.

DIV-COMM-LOT-UNIT DCY-S2-0446	
COMM-LOT STREET ADDRESS 5004 BROOKLET WAY	APT. NO. ----
CITY MIDDLETOWN	STATE OH
ZIP 45042	

LEGEND	
	BEARING WALL
	NON BEARING WALL
	INDICATES BEARING FROM POINT-LOAD ABOVE
	JACKS
	BEAM/HEADER
	PAD FOOTING
	STEEL COLUMN
	TRUSS TIE DOWN
	PORTAL FRAME
	JOIST/TRUSS
	LVL
	ENGINEERING PAGE NUMBER

SEE FC DETAILS FOR FRAMING CONNECTORS

FLOOR PLAN NOTES RYAN

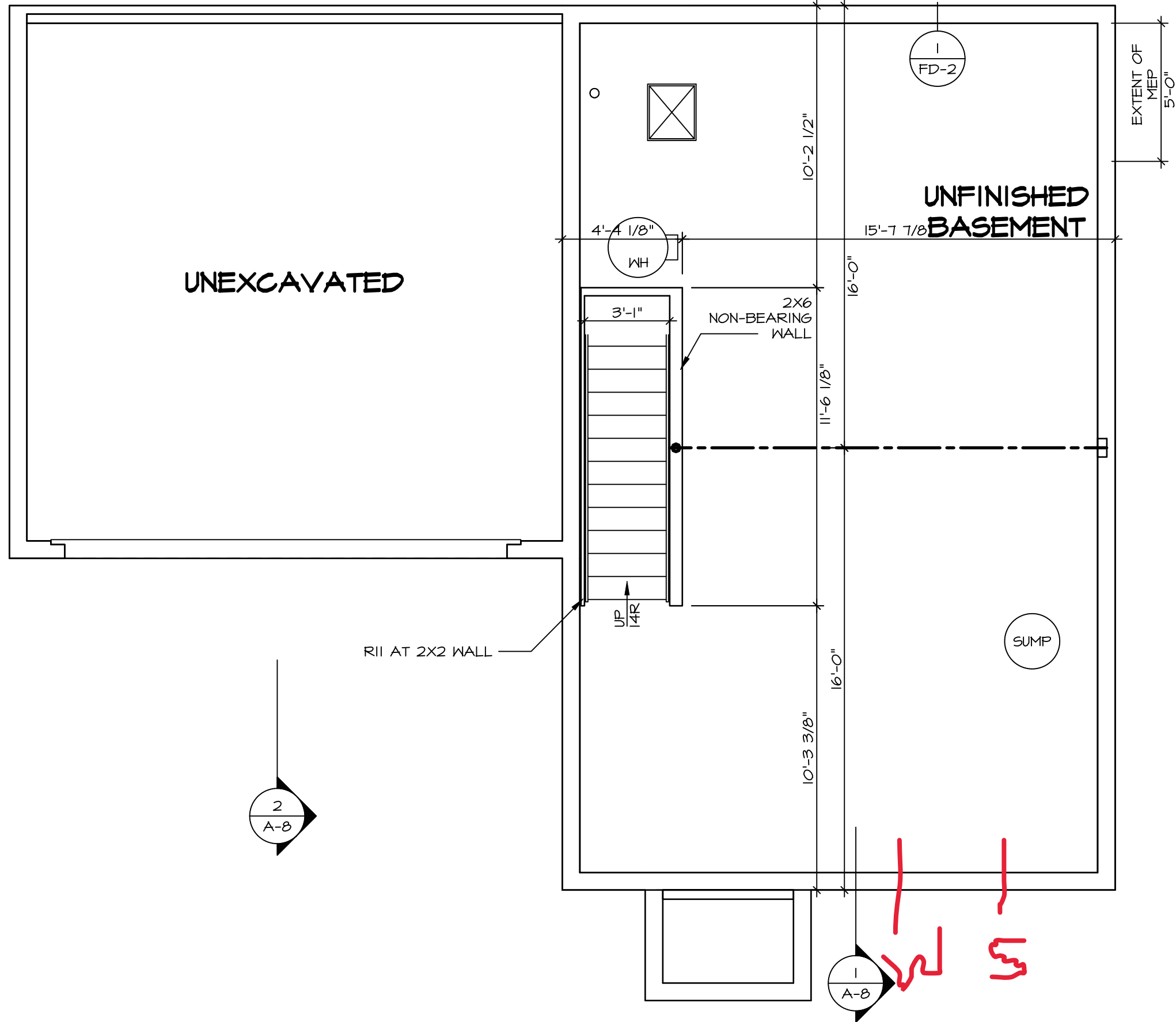
- ALL HEADERS ARE (2) 2x6 w/ 2x4 WALLS OR (3) 2x6 w/ 2x6 WALLS, UNLESS OTHERWISE NOTED.
- ALL HEADERS TO HAVE (1) 2x4 OR 2x6 JACK AND KING STUD EACH END, UNLESS OTHERWISE NOTED. MULTI-OPENING HEADERS TO HAVE (2) JACKS AT INTERMEDIATE BEARING, UNLESS OTHERWISE NOTED. NO ADDITIONAL FLOOR SYSTEM BLOCKING OR CONTINUOUS LOAD PATH JACKS ARE REQUIRED UNLESS OTHERWISE NOTED.
- ALL EXTERIOR WALLS TO BE 4" w/ OSB OR 3 1/2" w/ LAMINATED FIBROUS STRUCTURAL SHEATHING, ALL INTERIOR WALLS TO BE 3 1/2", UNLESS OTHERWISE NOTED. HATCHED AREAS INDICATE DROPPED CEILINGS. ALL DROPPED CEILINGS ARE 12" UNLESS OTHERWISE NOTED.
- SEE "BRACED WALL PANEL DETAIL SHEET" FOR SPECIAL WALL FRAMING LOCATIONS AND HEADER SIZES, IF APPLICABLE.
- SEE STANDARD DETAIL CATEGORY "IT" SHEET(S) FOR INTERIOR TRIM DETAILS.
- SEE ARCHITECTURAL DETAIL SHEET "AD" FOR HOUSE SPECIFIC INTERIOR TRIM OPTION TABLE.
- ALL HEADERS IN NON-BEARING WALLS SHALL BE A SINGLE FLAT 2x4 OR 2x6 ATTACHED TO CRIPPLES ABOVE, UNLESS OTHERWISE NOTED.
- TANKED WATER HEATER SHOWN AS BASE CONDITION. OPTIONAL TANKLESS WATER HEATER IS AVAILABLE IN LIEU OF TANKED WATER HEATER.

GYPSUM NOTES

AT GARAGE:
GYPSUM BOARD AT COMMON WALLS, CEILING, BEAM WRAPS AND SUPPORTS PER STANDARD DETAIL FA-1(b) FIRE ASSEMBLIES OR AS REQUIRED BY LOCAL CODE.

AT STAIRS:
1/2" GYPSUM BOARD AT UNDERSIDE OF STAIRS AND WALLS IN CLOSET

BASEMENT JACK SCHEDULE		
IDENTIFIER	DESCRIPTION	ENG. NUM.



BASEMENT FLOOR PLAN
SCALE: 1/4" = 1'-0"

SHEET NO. **A-5**

MODEL: **BIRCH**
DRAWING TITLE: **BASEMENT FLOOR PLAN**
OPTION DESCRIPTION: **||**

SET NO. **BRH00**
VERSION **01**
RELEASE NO. **----**
DRAWN BY:
DATE:
OPTION

DIV-COMM-LOT-UNIT: **DCY-S2-0446**
COM-LOT: **SAMYERS MILL - SIMPLY RYAN - 0446**
STREET ADDRESS: **5004 BROOKLET WAY**
CITY: **MIDDLETOWN** STATE: **OH** ZIP: **45042**

NVR Inc., Suite 100
5285 Westwood Blvd.
Frederick, MD 21703

© NVR, Inc., expressly reserves its copyright and other property rights in these plans. These plans are not to be reproduced, stored in a retrieval system, or copied in any form or manner whatsoever, nor are they to be used for any project without the prior written consent of NVR, Inc.

C:\NVR\Solives\BIRCH_BRH00_01\DCY-S2-0446\2956610\Streets\Lot_Specific\A-5_BSM1_1.S.dwg 11/15/23 - 3:22 pm

FIRST FLOOR JACK SCHEDULE		
IDENTIFIER	DESCRIPTION	ENG. N.M.
J100	JACK - (4) 2X4 SPF STUD GRADE	1004
J101	JACK - (2) 2X4 SPF STUD GRADE	1002
J102	JACK - (3) 2X4 SPF STUD GRADE	1015
J103	JACK - (3) 2X4 SPF STUD GRADE	1015
J104	JACK - (4) 2X4 SPF STUD GRADE	1004
J105	JACK - (2) 2X4 SPF STUD GRADE	1008
J106	JACK - (2) 2X4 SPF STUD GRADE	1008
J107	JACK - (2) 2X4 SPF STUD GRADE	1013
J108	JACK - (2) 2X6 SPF STUD GRADE	1013

LEGEND	
	BEARING WALL
	NON BEARING WALL
	INDICATES BEARING FROM POINT-LOAD ABOVE
	JACKS
	BEAM/HEADER
	PAD FOOTING
	STEEL COLUMN
	TRUSS TIE DOWN
	PORTAL FRAME
	JOIST/TRUSS
	LVL
	ENGINEERING PAGE NUMBER

SEE FC DETAILS FOR FRAMING CONNECTORS

ALL WINDOWS HAVE 1 1/2" HEADER HEIGHT UNLESS OTHERWISE NOTED

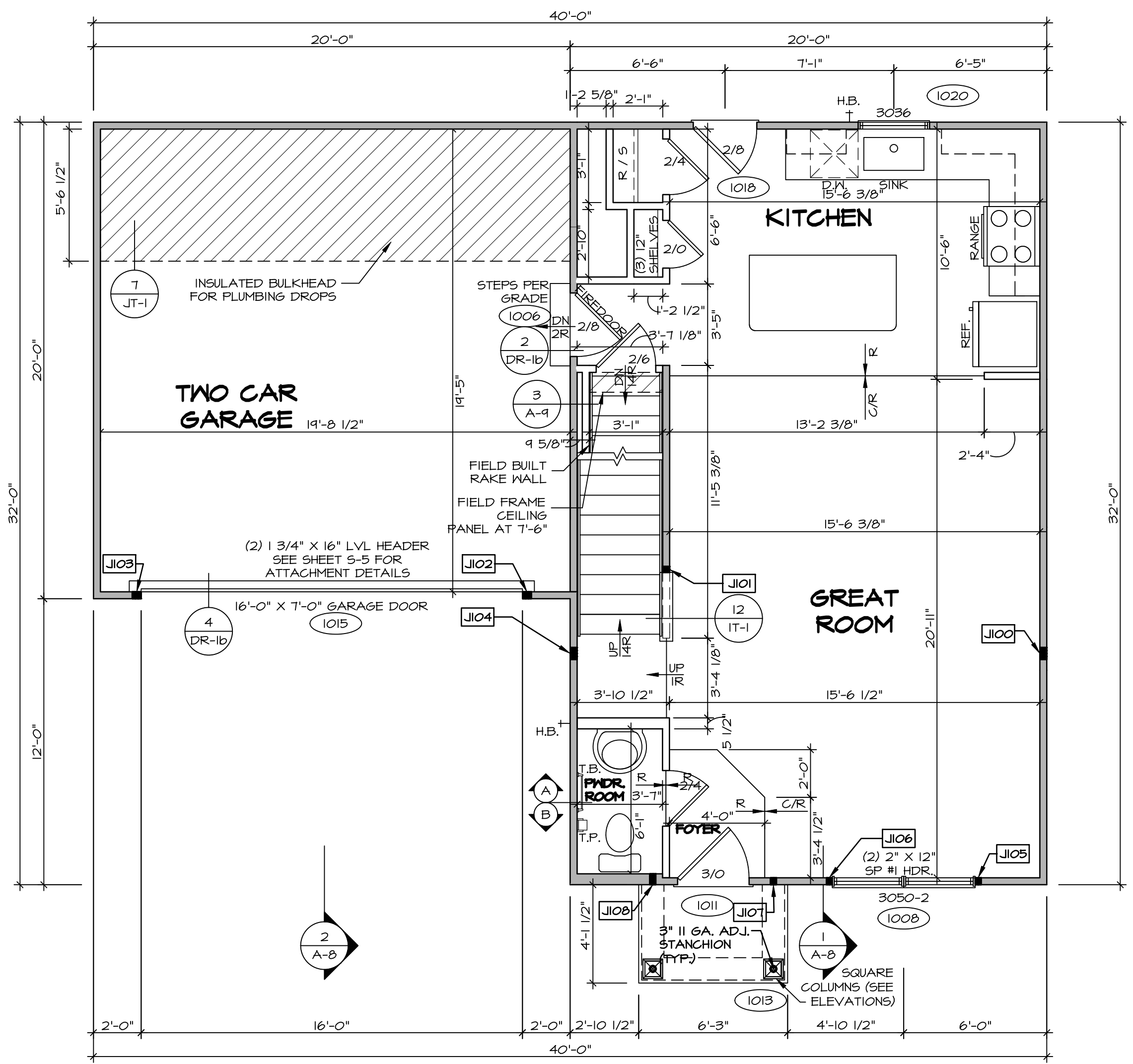
FLOOR PLAN NOTES RYAN

- ALL HEADERS ARE (2) 2x6 w/ 2x4 WALLS OR (3) 2x6 w/ 2x6 WALLS, UNLESS OTHERWISE NOTED.
- ALL HEADERS TO HAVE (1) 2x4 OR 2x6 JACK AND KING STUD EACH END, UNLESS OTHERWISE NOTED. MULTI-OPENING HEADERS TO HAVE (2) JACKS AT INTERMEDIATE BEARING, UNLESS OTHERWISE NOTED. NO ADDITIONAL FLOOR SYSTEM BLOCKING OR CONTINUOUS LOAD PATH JACKS ARE REQUIRED UNLESS OTHERWISE NOTED.
- ALL EXTERIOR WALLS TO BE 4" w/ OSB OR 3 1/2" w/ LAMINATED FIBROUS STRUCTURAL SHEATHING. ALL INTERIOR WALLS TO BE 3 1/2" UNLESS OTHERWISE NOTED. HATCHED AREAS INDICATE DROPPED CEILING. ALL DROPPED CEILING ARE 12" UNLESS OTHERWISE NOTED. SEE BRACED WALL PANEL DETAIL SHEET FOR SPECIAL WALL FRAMING LOCATIONS AND HEADER SIZES, IF APPLICABLE.
- SEE STANDARD DETAIL CATEGORY "IT" SHEET(S) FOR INTERIOR TRIM DETAILS.
- SEE ARCHITECTURAL DETAIL SHEET "AD" FOR HOUSE SPECIFIC INTERIOR TRIM OPTION TABLE.
- ALL HEADERS IN NON-BEARING WALLS SHALL BE A SINGLE FLAT 2x4 OR 2x6 ATTACHED TO CRIPPLES ABOVE UNLESS OTHERWISE NOTED.
- TANKED WATER HEATER SHOWN AS BASE CONDITION. OPTIONAL TANKLESS WATER HEATER IS AVAILABLE IN LIEU OF TANKED WATER HEATER.

GYPSUM NOTES

AT GARAGE:
GYPSUM BOARD AT COMMON WALLS, CEILING, BEAM WRAPS AND SUPPORTS PER STANDARD DETAIL FA-1(b) FIRE ASSEMBLIES OR AS REQUIRED BY LOCAL CODE.

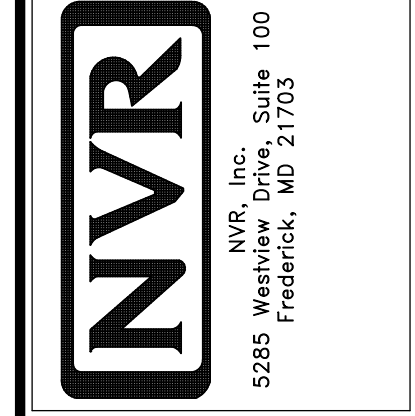
AT STAIRS:
1/2" GYPSUM BOARD AT UNDERSIDE OF STAIRS AND WALLS IN CLOSET



FIRST FLOOR PLAN
SCALE: 1/4" = 1'-0"

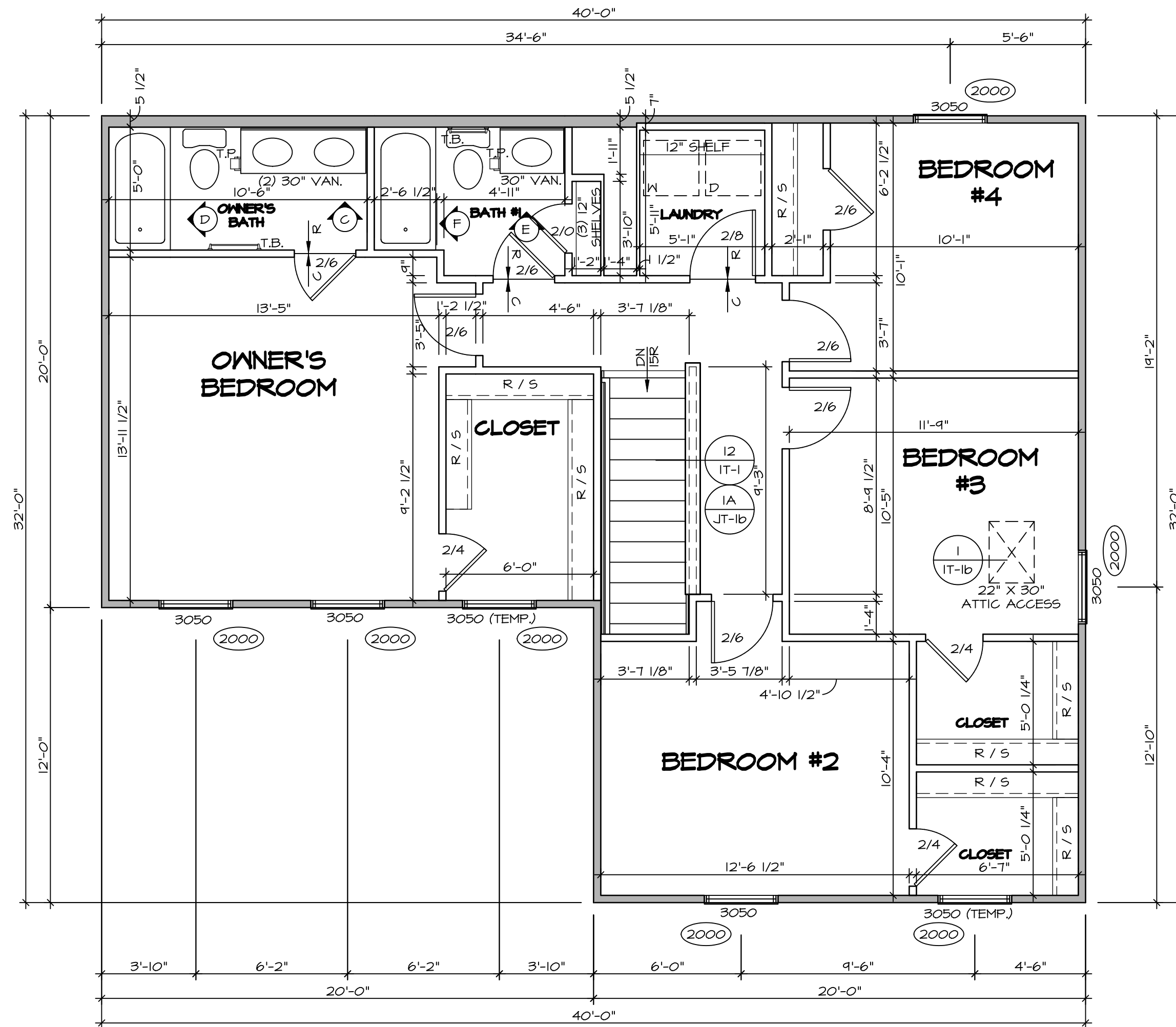
DIV-COMM-LOT-UNIT
DCY-S2-0446
COM-LOT
SAYERS MILL - SIMPLY RYAN - 0446
STREET ADDRESS
5004 BROOKLET WAY
CITY MIDDLETOWN STATE OH ZIP 45042

NVR, Inc. expressly reserves its copyright and other property rights in these plans. These plans are not to be reproduced, stored in a retrieval system, or transmitted in any form or by any means, electronic, mechanical, photocopying, recording, or otherwise, without the prior written consent of NVR, Inc.



SET NO. BRH00
VERSION 01
RELEASE NO. ----
DRAWN BY
DATE:
OPTION

SHEET NO. **A-6**
MODEL **BIRCH**
DRAWING TITLE **FIRST FLOOR PLAN**
OPTION DESCRIPTION
12



1
A-7
SECOND FLOOR PLAN
SCALE: 1/4" = 1'-0"

LEGEND	
	BEARING WALL
	NON BEARING WALL
	INDICATES BEARING FROM POINT-LOAD ABOVE
	JACKS
	BEAM/HEADER
	PAD FOOTING
	STEEL COLUMN
	TRUSS TIE DOWN
	PORTAL FRAME
	JOIST/TRUSS
	LVL
	ENGINEERING PAGE NUMBER

SEE FC DETAILS FOR FRAMING CONNECTORS

ALL WINDOWS HAVE 1 1/2" 5/8" HEADER HEIGHT UNLESS OTHERWISE NOTED

FLOOR PLAN NOTES RYAN

- ALL HEADERS ARE (2) 2x6 w/ 2x4 WALLS OR (3) 2x6 w/ 2x6 WALLS, UNLESS OTHERWISE NOTED.
- ALL HEADERS TO HAVE (1) 2x4 OR 2x6 JACK AND KING STUD EACH END, UNLESS OTHERWISE NOTED. MULTI-OPENING HEADERS TO HAVE (2) JACKS AT INTERMEDIATE BEARING, UNLESS OTHERWISE NOTED. NO ADDITIONAL FLOOR SYSTEM BLOCKING OR CONTINUOUS LOAD PATH JACKS ARE REQUIRED UNLESS OTHERWISE NOTED.
- ALL EXTERIOR WALLS TO BE 4" w/ OSB OR 3 1/2" w/ LAMINATED FIBROUS STRUCTURAL SHEATHING. ALL INTERIOR WALLS TO BE 3 1/2" UNLESS OTHERWISE NOTED.
- HATCHED AREAS INDICATE DROPPED CEILING. ALL DROPPED CEILING ARE 12" UNLESS OTHERWISE NOTED.
- SEE BRACED WALL PANEL DETAIL SHEET FOR SPECIAL WALL FRAMING LOCATIONS AND HEADER SIZES, IF APPLICABLE.
- SEE STANDARD DETAIL CATEGORY "IT" SHEET(S) FOR INTERIOR TRIM DETAILS.
- SEE ARCHITECTURAL DETAIL SHEET "AD" FOR HOUSE SPECIFIC INTERIOR TRIM OPTION TABLE.
- ALL HEADERS IN NON-BEARING WALLS SHALL BE A SINGLE FLAT 2x4 OR 2x6 ATTACHED TO CRIPPLES ABOVE, UNLESS OTHERWISE NOTED.
- TANKED WATER HEATER SHOWN AS BASE CONDITION, OPTIONAL TANKLESS WATER HEATER IS AVAILABLE IN LIEU OF TANKED WATER HEATER.

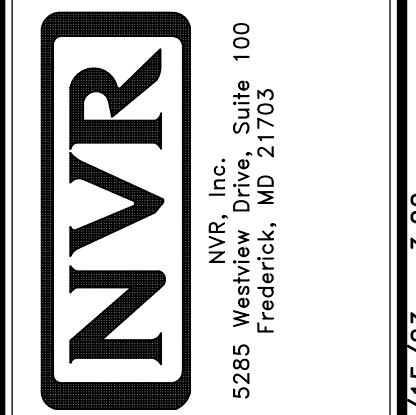
GYPSUM NOTES

AT GARAGE:
GYPSUM BOARD AT COMMON WALLS, CEILING, BEAM WRAPS AND SUPPORTS PER STANDARD DETAIL FA-1(b) FIRE ASSEMBLIES OR AS REQUIRED BY LOCAL CODE.

AT STAIRS:
1/2" GYPSUM BOARD AT UNDERSIDE OF STAIRS AND WALLS IN CLOSET

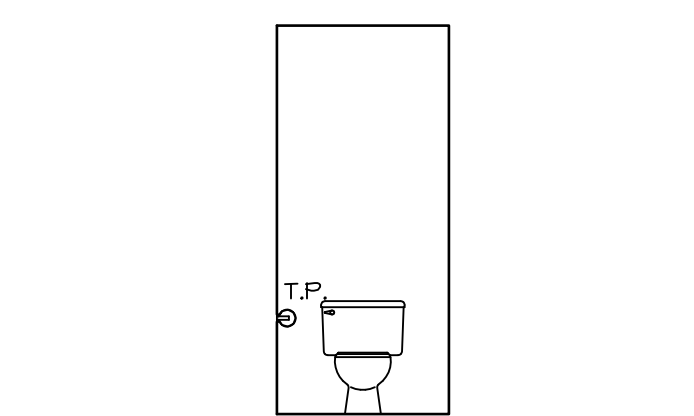
DIV-COMM-LOT-UNIT
DCY-S2-0446
COM-LOT
SAYERS MILL - SIMPLY RYAN - 0446
STREET ADDRESS
5004 BROOKLET WAY
CITY MIDDLETOWN STATE OH ZIP 45042

NVR, Inc., expressly reserves its copyright and other property rights in these plans. These plans are not to be reproduced, stored in a retrieval system, or copied in any form or manner whatsoever, nor are they to be used for any project without the written consent of NVR, Inc.

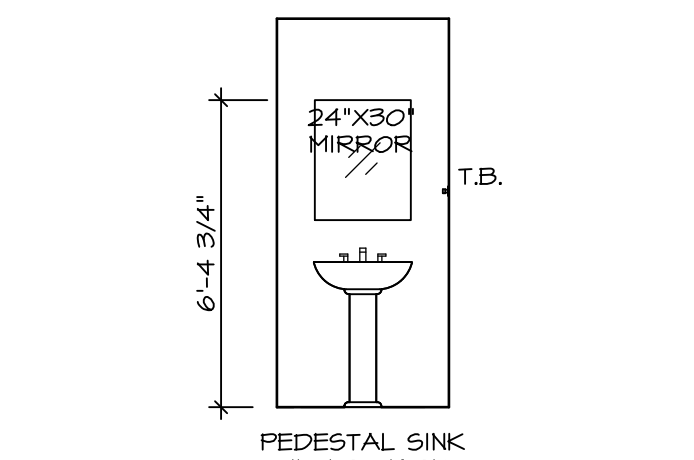


SET NO. BRH00
VERSION 01
RELEASE NO. ----
DRAWN BY
DATE:
OPTION

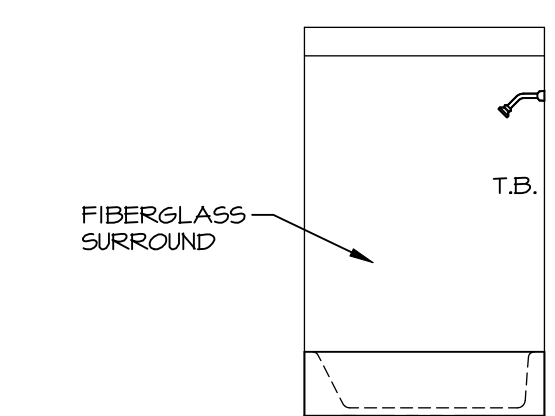
SHEET NO. **A-7**
MODEL **BIRCH**
DRAWING TITLE **SECOND FLOOR PLAN**
OPTION DESCRIPTION
13



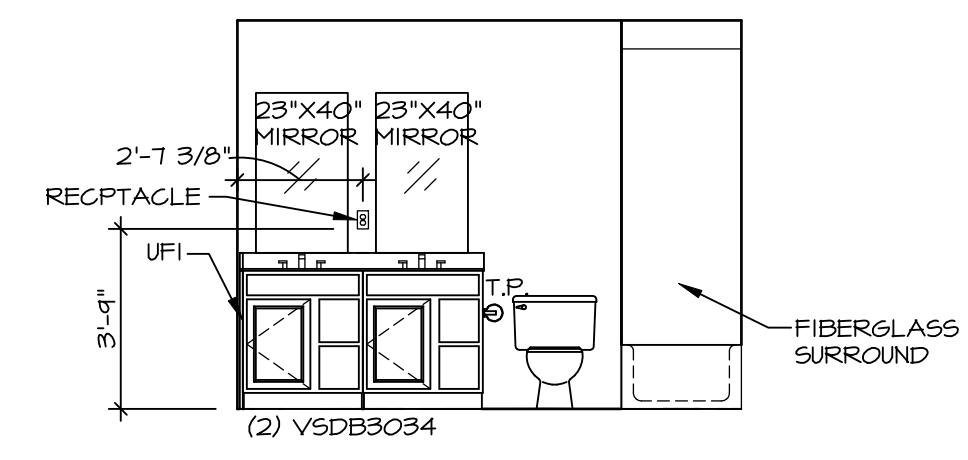
B POWDER ROOM
SCALE: 1/4" = 1'-0"



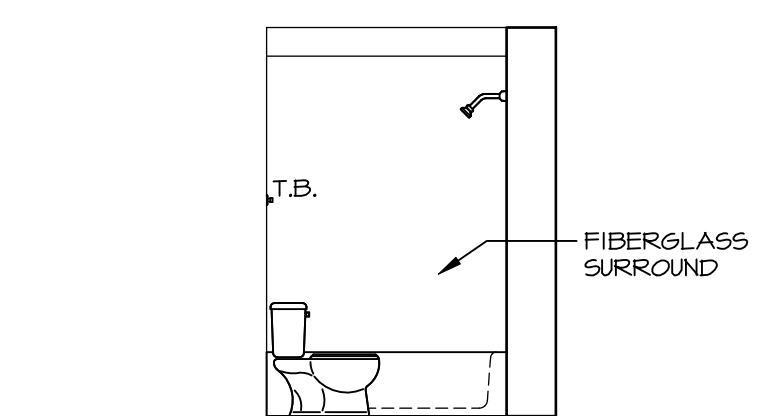
A POWDER ROOM
SCALE: 1/4" = 1'-0"



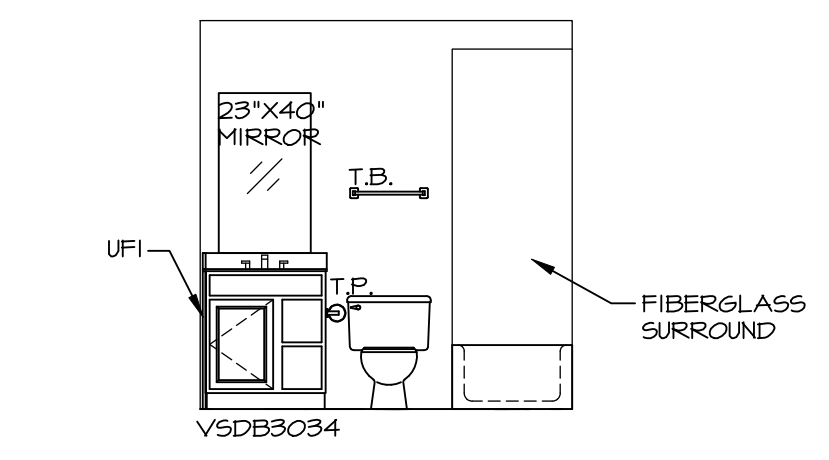
D OWNER'S BATH
SCALE: 1/4" = 1'-0"



C OWNER'S BATH
SCALE: 1/4" = 1'-0"



F BATH # 1
SCALE: 1/4" = 1'-0"



E BATH # 1
SCALE: 1/4" = 1'-0"

- NOTES:**
1. TEMPERED GLASS SHOWER ENCLOSURE WITH SWING DOOR OR OPTIONAL SLIDING DOOR BY DIVISION.
 2. TUB ACCESS PANELS PROVIDED AS NEEDED, ALL MATERIALS BY DIVISION.
 3. ALL BATH ELEVATIONS ARE SHOWN PER PLAN.
 4. ALL V5DB24-42 DRAWERS TO BE SET ON RIGHT HAND.

SHEET NO. A-11	MODEL BIRCH	SET NO. BRH00	DIV-COMM-LOT-UNIT DCY-S2-0446
	DRAWING TITLE BATH ELEVATIONS	VERSION 01	
OPTION DESCRIPTION 17	DATE:	DRAWN BY	STREET ADDRESS SAYERS MILL - SIMPLY RYAN - 0446
	OPTION	DATE:	APT. NO. 5004 BROOKLET WAY
C:\NVR\Spines\BIRCH_BRH00_01\DCY-S2-0446\2956610\Sheets\A-11_BATH_LS.dwg 11/15/23 - 3:22 pm		CITY MIDDLETOWN	
		STATE OH	ZIP 45042

© NVR, Inc., expressly reserves its copyright and other property rights in these plans. These plans are not to be reproduced, stored in a retrieval system, or copied in any form or manner whatsoever, nor are they to be used for any project without the prior written consent of NVR, Inc.

