

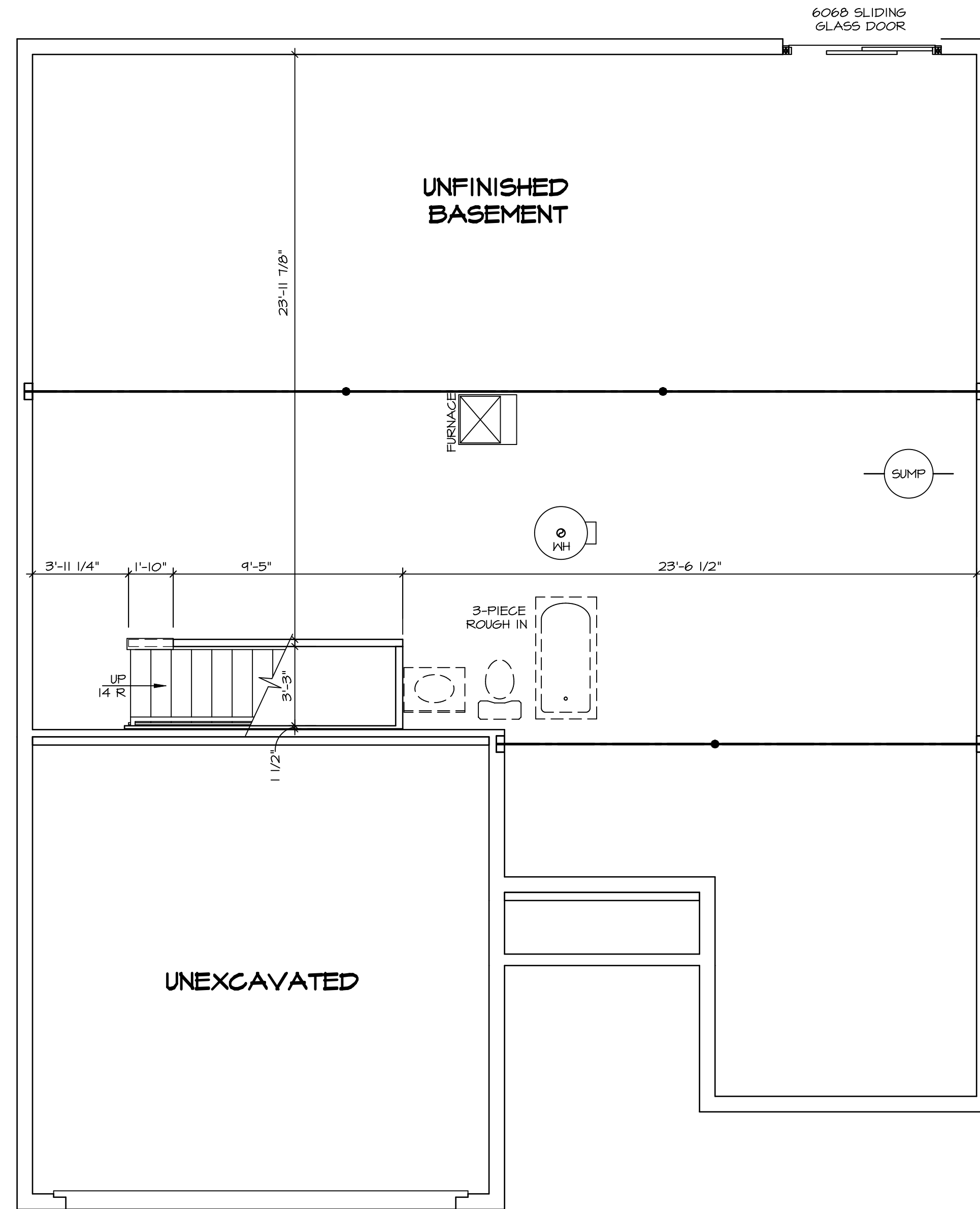
1 PLUMBING PLAN
A-5 SCALE: 1/4" = 1'-0"

SHEET NO. A-5	MODEL GRAND BAHAMA	SET NO. 6EH00	VERSION 01
	DRAWING TITLE PLUMBING PLAN	DRAWN BY	
	OPTION DESCRIPTION	DATE:	OPTION
8			

NVR
NVR, Inc., Suite 100
5285 Walkersville Road
Fredericks, MD 21703

© NVR, Inc. expressly reserves the right to modify or amend these plans at any time without notice. These plans are not to be reproduced, changed or altered in any way without the written consent of NVR, Inc.

DIV-COMM-LOT-UNIT DCY-S3-0186	
COMM-LOT	COMM-LOT
STREET ADDRESS	APT. NO.
6121 CRYSTAL HARBOUR DRIVE	N
CITY	STATE
MIDDLETOWN	OH
	ZIP
	45042



LEGEND

- BEARING WALL
- NON BEARING WALL
- INDICATES BEARING FROM POINT-LOAD ABOVE
- JACKS
- BEAM-HEADER
- PAD FOOTING
- STEEL COLUMN
- TRUSS TIE DOWN
- PORTAL FRAME
- JOIST/TRUSS
- LVL
- ENGINEERING PAGE NUMBER

SEE FC DETAILS FOR FRAMING CONNECTORS

- FLOOR PLAN NOTES**
- ALL HEADERS ARE (2) 2x6 w/ 2x4 WALLS OR (3) 2x6 w/ 2x6 WALLS, UNLESS OTHERWISE NOTED.
 - ALL HEADERS TO HAVE (1) 2x4 OR 2x6 JACK AND KING STUD EACH END, UNLESS OTHERWISE NOTED. MULTI-OPENING HEADERS TO HAVE (2) JACKS AT INTERMEDIATE BEARING, UNLESS OTHERWISE NOTED. NO ADDITIONAL FLOOR SYSTEM BLOCKING OR CONTINUOUS LOAD PATH JACKS ARE REQUIRED UNLESS OTHERWISE NOTED.
 - ALL EXTERIOR WALLS TO BE 4" w/ OSB OR 3 1/2" w/ LAMINATED FIBROUS STRUCTURAL SHEATHING, ALL INTERIOR WALLS TO BE 3 1/2", UNLESS OTHERWISE NOTED. HATCHED AREAS INDICATE DROPPED CEILINGS. ALL DROPPED CEILINGS ARE 12" UNLESS OTHERWISE NOTED.
 - SEE "BRACED WALL PANEL DETAIL SHEET" FOR SPECIAL WALL FRAMING LOCATIONS AND HEADER SIZES, IF APPLICABLE.
 - SEE STANDARD DETAIL CATEGORY "1T" SHEET(S) FOR INTERIOR TRIM DETAILS.
 - SEE ARCHITECTURAL DETAIL SHEET "AD" FOR HOUSE WRAPS AND SUPPORTS PER STANDARD DETAIL FA-1(b) FIRE ASSEMBLIES OR AS REQUIRED BY LOCAL CODE.
 - ALL HEADERS IN NON-BEARING WALLS SHALL BE A SINGLE FLAT 2x4 OR 2x6 ATTACHED TO CRIPPLES ABOVE, UNLESS OTHERWISE NOTED.
 - TANKED WATER HEATER SHOWN AS BASE CONDITION. OPTIONAL TANKLESS WATER HEATER IS AVAILABLE IN LIEU OF TANKED WATER HEATER.

GYPSUM NOTES

AT GARAGE:
GYPSON BOARD AT COMMON WALLS, CEILINGS, BEAM WRAPS AND SUPPORTS PER STANDARD DETAIL FA-1(b) FIRE ASSEMBLIES OR AS REQUIRED BY LOCAL CODE.

AT STAIRS:
1/2" GYPSON BOARD AT UNDERSIDE OF STAIRS AND WALLS IN CLOSET

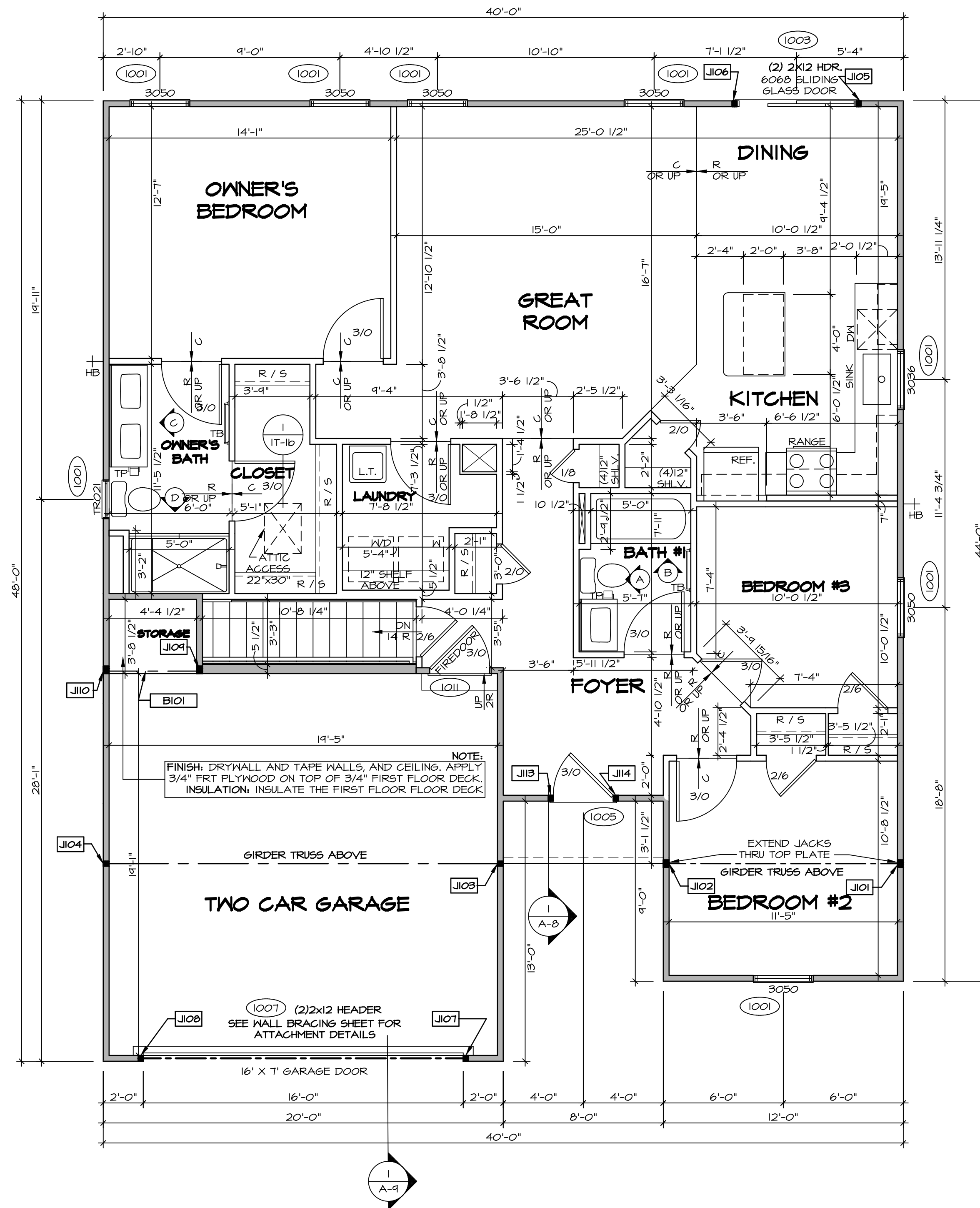
BASEMENT FLOOR PLAN
SCALE: 1/4" = 1'-0"

SHEET NO. A-6	MODEL GRAND BAHAMA	DRAWING TITLE BASEMENT FLOOR PLAN	SET NO. 6BHO0	VERSION 01
			DRAWN BY	DATE:
OPTION DESCRIPTION	9	DRAWN BY		
		DATE:	OPTION	
DIV-COMM-LOT-UNIT DCY-S3-0186		COMM-LOT SAWYERS MILL - LIFESTYLE - 0186		
STREET ADDRESS 6121 CRYSTAL HARBOUR DRIVE		APT. NO. N	STATE OH	
CITY MIDDLETOWN		ZIP 45042		

© NVR, Inc. expressly reserves the right to modify or amend these plans at any time without notice. These plans are not to be reproduced, changed or altered in any way without the written consent of NVR, Inc.

NVR
NVR, Inc. Suite 100
Frederick, MD 21703
5285 Washington Blvd

C:\NVR\Solves\GRAND_BAHAMA_6BHO0_01\DCY-S3-0186\245170A\Sheets\Lot_Specific\A A-6_BSMT_LS.dwg 12/21/21 - 3:13 pm



FIRST FLOOR PLAN
SCALE: 1/4" = 1'-0"

FIRST FLOOR JACK SCHEDULE			
IDENTIFIER	DESCRIPTION	ENG. NUM.	REMARKS
J101	JACK - (3) 2X4 SP#	1000	EXTEND THRU TOP PLATE
J102	JACK - (3) 2X4 SP#	1000	EXTEND THRU TOP PLATE
J103	JACK - (2) 2X4 SP# STUD GRADE	1000	
J104	JACK - (2) 2X4 SP# STUD GRADE	1000	
J105	JACK - (2) 2X4 SP# STUD GRADE	1003	
J106	JACK - (2) 2X4 SP# STUD GRADE	1003	
J107	JACK - (2) 2X4 SP# STUD GRADE	1007	
J108	JACK - (2) 2X4 SP# STUD GRADE	1007	
J109	JACK - (3) 2X4 SP# STUD GRADE	1013	
J110	JACK - (3) 2X4 SP# STUD GRADE	1013	
J111	JACK - (2) 2X4 SP# STUD GRADE	1005	
J114	JACK - (2) 2X4 SP# STUD GRADE	1005	

LVL PLY TO PLY FASTENING SCHEDULE: (WHERE APPLICABLE BASED ON LVL USAGE)

1.A - (2) PLY UP TO AND INCLUDING 11 7/8" TALL; FASTEN PLYS W/ (2) ROWS 16D NAILS AT 12" O.C.
 2.A - (2) PLY 14" TO AND 18" TALL (INCLUSIVE); FASTEN PLYS W/ (3) ROWS 16D NAILS AT 12" O.C.
 3.A - (2) PLY 20" TALL AND OVER; FASTEN PLYS W/ (4) ROWS 16D NAILS AT 12" O.C.
 4.A - (3) PLY UP TO AND INCLUDING 11 7/8" TALL; FASTEN PLYS W/ (2) ROWS 16D NAILS AT 12" O.C. FROM EACH SIDE
 5.A - (3) PLY 14" TO AND 18" TALL (INCLUSIVE); FASTEN PLYS W/ (3) ROWS 16D NAILS AT 12" O.C. FROM EACH SIDE
 6.A - (3) PLY 20" TALL AND OVER; FASTEN PLYS W/ (4) ROWS 16D NAILS AT 12" O.C. FROM EACH SIDE
 7.A - (4) PLY (ALL SIZES); FASTEN PLYS W/ (2) ROWS 1/2" DIAMETER A307 BOLTS AT 24" O.C. SEE SHOP DRAWING FOR ADDITIONAL INFORMATION.

FIELD INSTALLED FIRST FLOOR BEAM/HEADER SCHEDULE				
IDENTIFIER	DESCRIPTION	LENGTH	ENG. NUM.	REMARKS
B101	INT HEADER - 2X10 - 2 PLY	4'-11 1/2"	1013	

LEGEND

- BEARING WALL
- NON BEARING WALL
- INDICATES BEARING FROM POINT-LOAD ABOVE JACKS
- BEAM/HEADER
- PAD FOOTING
- STEEL COLUMN
- TRUSS TIE DOWN
- PORTAL FRAME
- JOIST/TRUSS
- LVL
- ENGINEERING PAGE NUMBER

SEE FC DETAILS FOR FRAMING CONNECTORS

- FLOOR PLAN NOTES** RYAN
- ALL HEADERS ARE (2) 2x6 w/ 2x4 WALLS OR (3) 2x6 w/ 2x6 WALLS, UNLESS OTHERWISE NOTED.
 - ALL HEADERS TO HAVE (1) 2x4 OR 2x6 JACK AND KING STUD EACH END, UNLESS OTHERWISE NOTED. MULTI-OPENING HEADERS TO HAVE (2) JACKS AT INTERMEDIATE BEARING, UNLESS OTHERWISE NOTED. NO ADDITIONAL FLOOR SYSTEM BLOCKING OR CONTINUOUS LOAD PATH JACKS ARE REQUIRED UNLESS OTHERWISE NOTED.
 - ALL EXTERIOR WALLS TO BE 4" w/ OSB OR 3 1/2" w/ LAMINATED FIBROUS STRUCTURAL SHEATHING, ALL INTERIOR WALLS TO BE 3 1/2", UNLESS OTHERWISE NOTED.
 - HATCHED AREAS INDICATE DROPPED CEILINGS. ALL DROPPED CEILINGS ARE 12" UNLESS OTHERWISE NOTED.
 - SEE "BRACED WALL PANEL DETAIL SHEET" FOR SPECIAL WALL FRAMING LOCATIONS AND HEADER SIZES, IF APPLICABLE.
 - SEE STANDARD DETAIL CATEGORY "IT" SHEET(S) FOR INTERIOR TRIM DETAILS.
 - SEE ARCHITECTURAL DETAIL SHEET "AD" FOR HOUSE SPECIFIC INTERIOR TRIM OPTION TABLE.
 - ALL HEADERS IN NON-BEARING WALLS SHALL BE A SINGLE FLAT 2X4 OR 2X6 ATTACHED TO GRIPPLIES ABOVE, UNLESS OTHERWISE NOTED.
 - TANKED WATER HEATER SHOWN AS BASE CONDITION. OPTIONAL TANKLESS WATER HEATER IS AVAILABLE IN LIEU OF TANKED WATER HEATER.

GYPSUM NOTES

AT GARAGE:
GYPSUM BOARD AT COMMON WALLS, CEILINGS, BEAM WRAPS AND SUPPORTS PER STANDARD DETAIL FA-1(b) FIRE ASSEMBLIES OR AS REQUIRED BY LOCAL CODE.

AT STAIRS:
1/2" GYPSUM BOARD AT UNDERSIDE OF STAIRS AND WALLS IN CLOSET

BIV-COMM-LOT-UNIT
DCY-S3-0186

COMM-Lot
5MAYERS MILL - LIFESTYLE - 0186

STREET ADDRESS
6121 CRYSTAL HARBOUR DRIVE

CITY
MIDDLETOWN

STATE
OH

ZIP
45042

APT. NO.
N

© NVR, Inc. expressly reserves the right to modify these plans without notice. These plans are not to be reproduced, changed or altered in any way without the written consent of NVR, Inc.

NVR
NVR, Inc. Suite 100
5285 Washington Blvd.
Frederick, MD 21703

SET NO. 6BHO0
VERSION 01
DRAWN BY
DATE:
OPTION

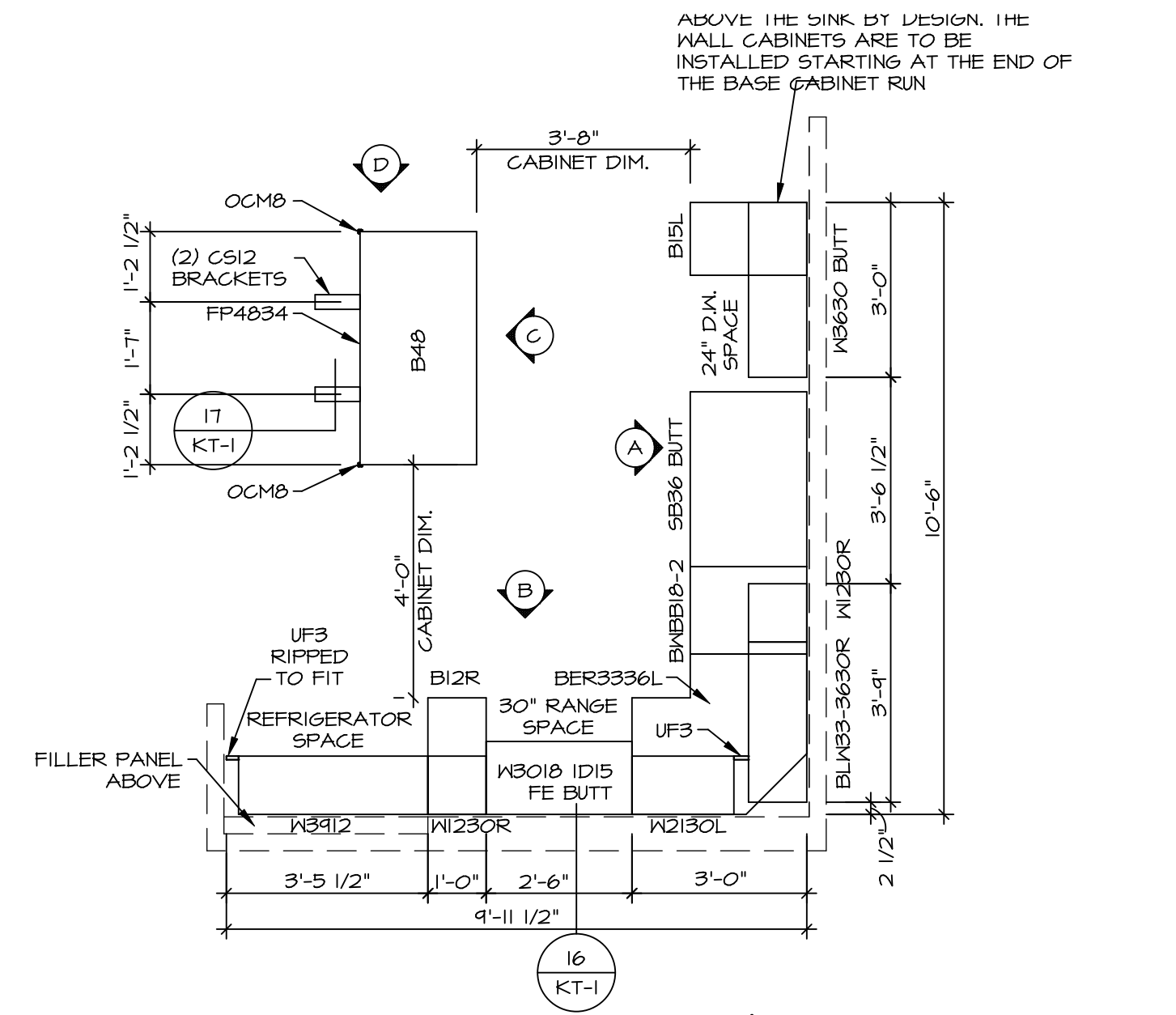
MODEL
GRAND BAHAMA
DRAWING TITLE
FIRST FLOOR PLAN

SHEET NO.
A-7

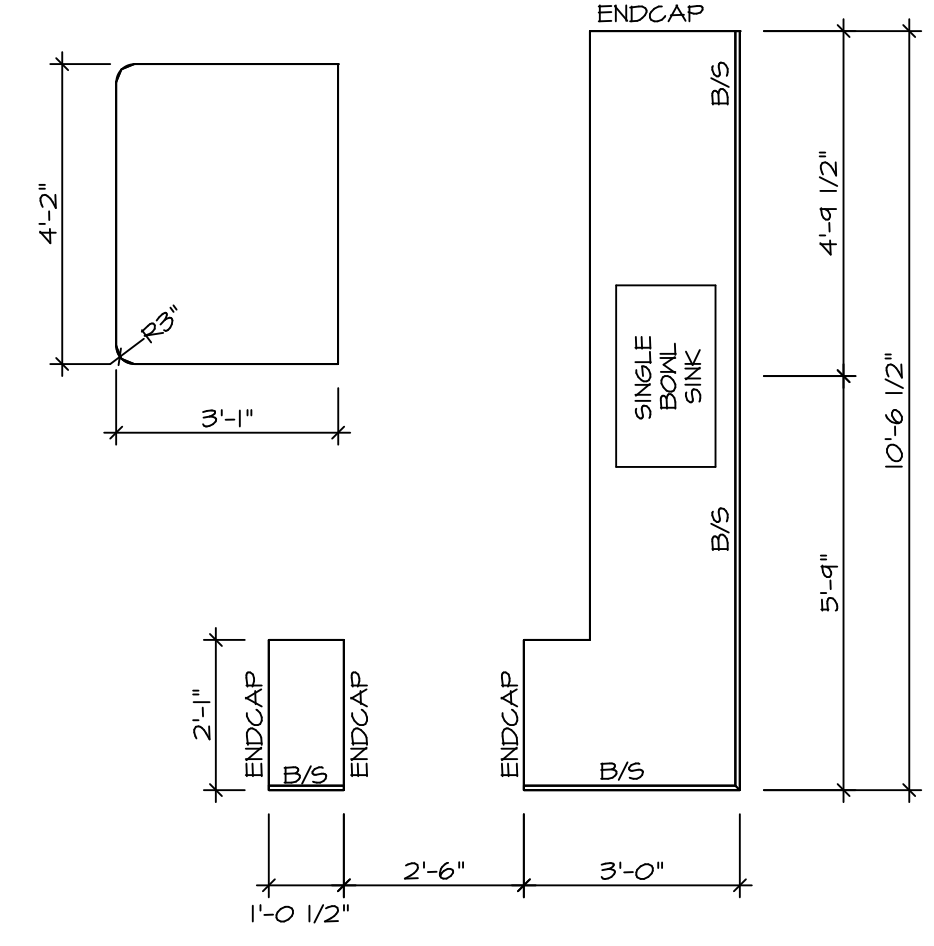
OPTION DESCRIPTION
10

C:\NVR\Solves\GRAND_BAHAMA_6BHO0_01\DCY-S3-0186\2451704\Sheets\01 A-7 PLAN_LS.dwg 12/21/21 - 3:13 pm

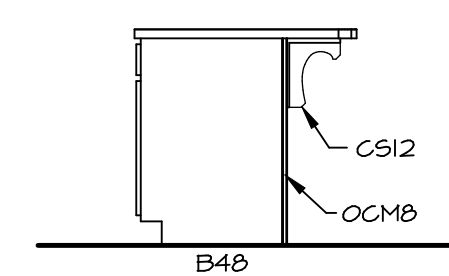
- NOTES:**
- CABINET LAYOUT (S) ARE BASED ON FINISHED DIMENSIONS TO DRYWALL.
 - IF KITCHEN PLANS/ELEVATIONS CALL-OUT STANDARD MOLDING, REFER TO STANDARD DETAIL (KKT-1) FOR REPLACEMENT BASED ON CABINET STYLE.
 - ALL (UF3) FILLERS ARE TO BE "TRIM TO FIT" UNLESS OTHERWISE NOTED.
 - CABINET MUST BE SET SHIMMED, LEVELED AND PLUMB BY ADJOINING BASE CABINETS.
 - SET PRE-FINISHED SCRIBE MOLDING AT CABINET BULKHEADS AND AT ENDS (WHERE CABINETS MEET DRYWALL.) PRE-FINISHED SCRIBE MOLDING SHALL BE USED TO PAD OUT CABINET SIDES AT STILE FOR RETURN PIECES OF THE FACE-MOUNTED CABINET CROWN MOLDING.
 - HARDWARE INSTALL NOTE: KNOBS GO ON OPERABLE DOORS AND DRAWERS FOR ALL KITCHEN AND BATH AREAS. DRAWER FRONTS AND DOORS GET (1) KNOB/PULL, NO HARDWARE ON FALSE DRAWER FRONTS.



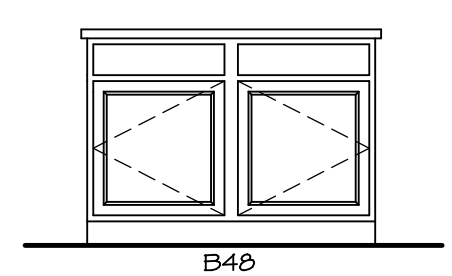
KITCHEN CABINET PLAN / KC-3765
SCALE: 3/8" = 1'-0" 1 A-II



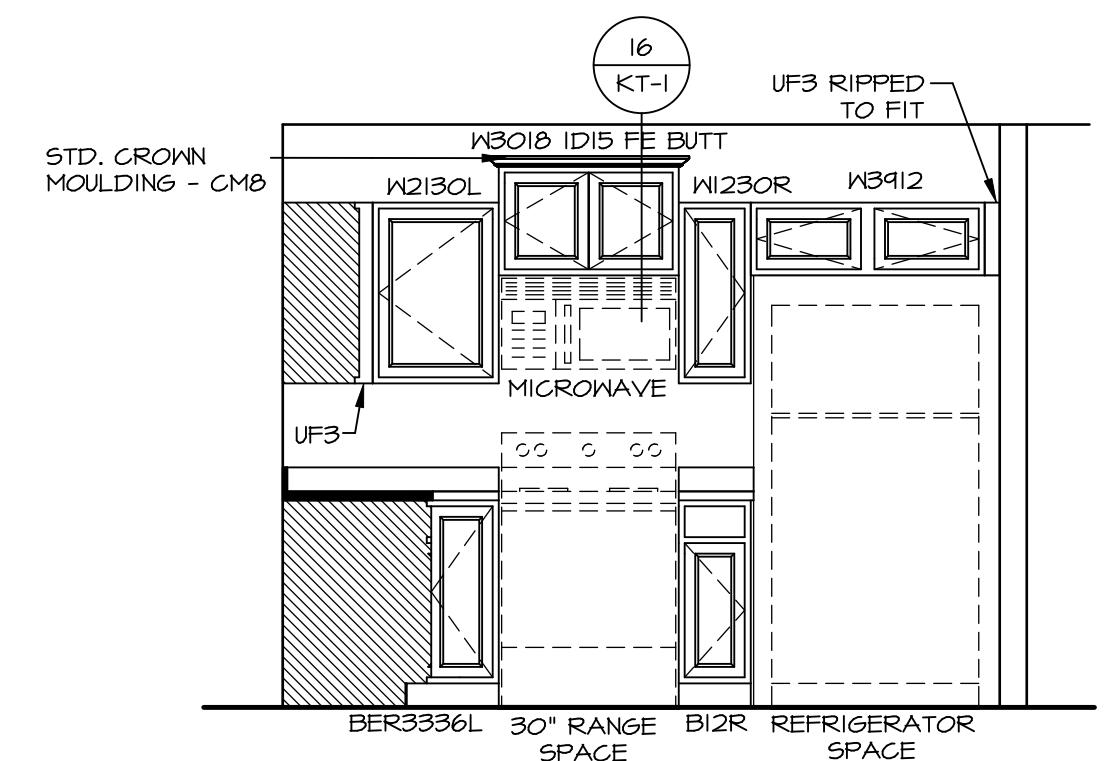
KITCHEN COUNTERTOP PLAN KC-3765
SCALE: 3/8" = 1'-0" 2 A-II



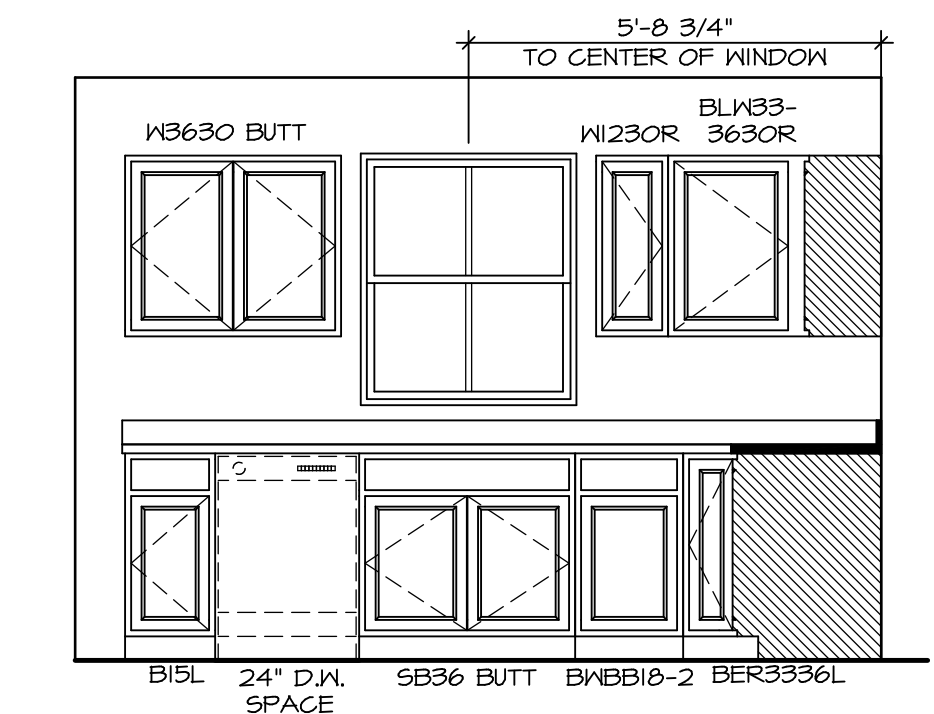
KITCHEN ELEVATION
SCALE: 3/8" = 1'-0" D A-II



KITCHEN ELEVATION
SCALE: 3/8" = 1'-0" C A-II

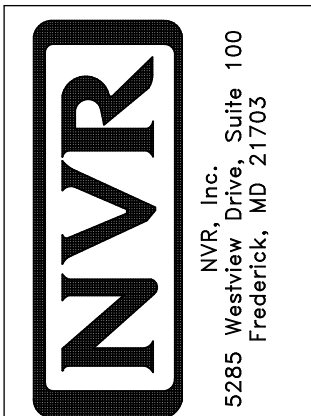


KITCHEN ELEVATION
SCALE: 3/8" = 1'-0" B A-II



KITCHEN ELEVATION
SCALE: 3/8" = 1'-0" A A-II

© NVR, Inc. expressly reserves the right to modify these plans without notice. These plans are not to be reproduced, changed or altered in any way without the written consent of NVR, Inc.

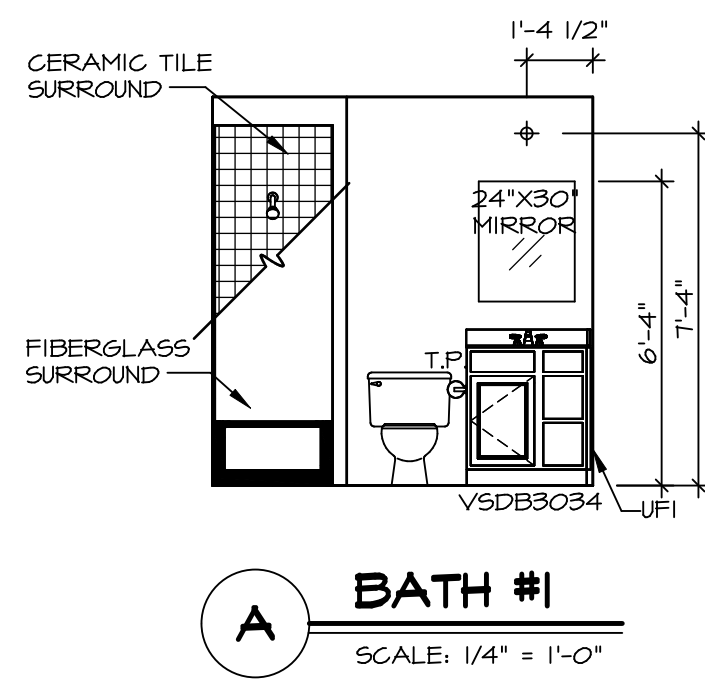


SET NO. 68H00
VERSION 01
DRAWN BY
DATE:
OPTION

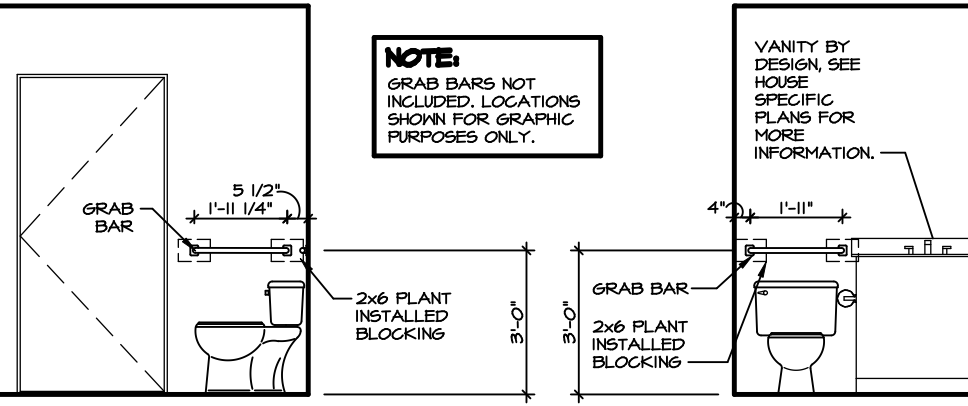
MODEL
GRAND BAHAMA
DRAWING TITLE
KITCHENS
OPTION DESCRIPTION

SHEET NO.
A-11
14

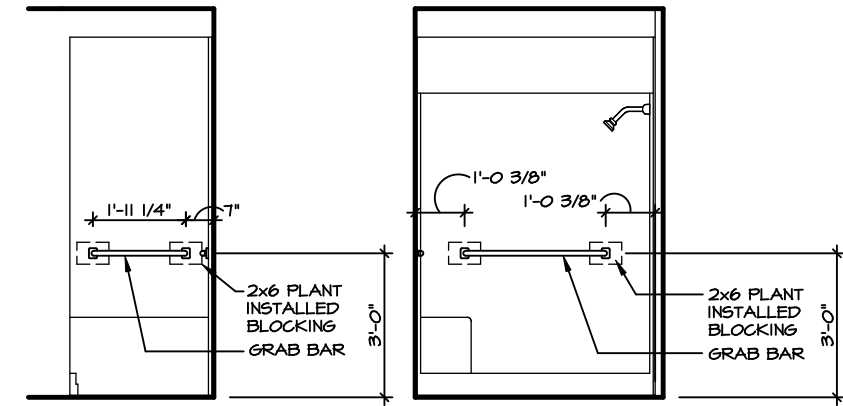
BIV-COMM-LOT-UNIT
DCY-S3-0186
COMM-LOT
SANTYERS MILL - LIFESTYLE - 0186
STREET ADDRESS
6121 CRYSTAL HARBOUR DRIVE
CITY STATE OH ZIP
MIDDLETOWN OH 45042



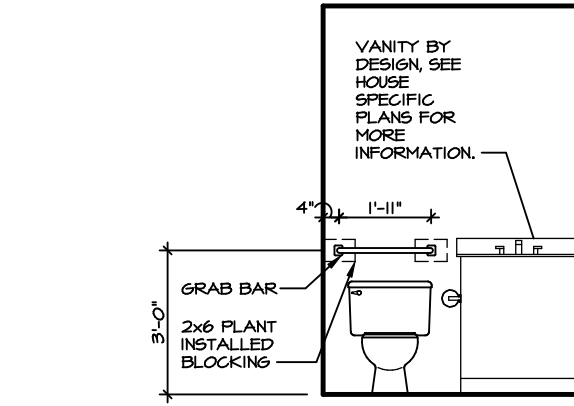
A BATH #1
SCALE: 1/4" = 1'-0"



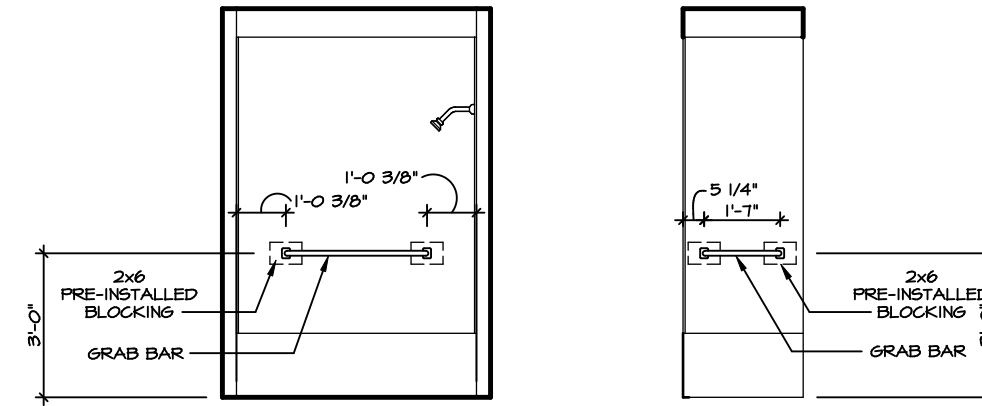
1 OWNER'S BATH - BLOCKING DETAIL
SCALE: 3/8" = 1'-0"



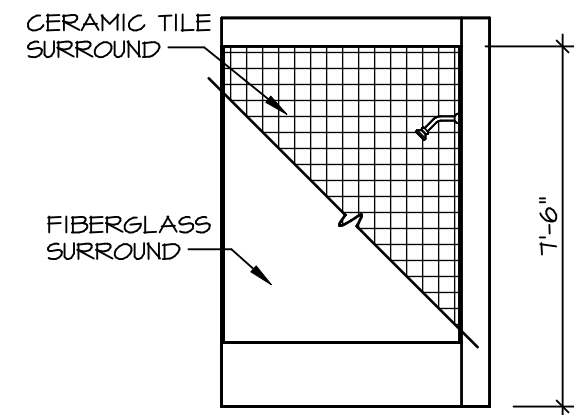
2 OWNER'S BATH - BLOCKING DETAIL
SCALE: 3/8" = 1'-0"



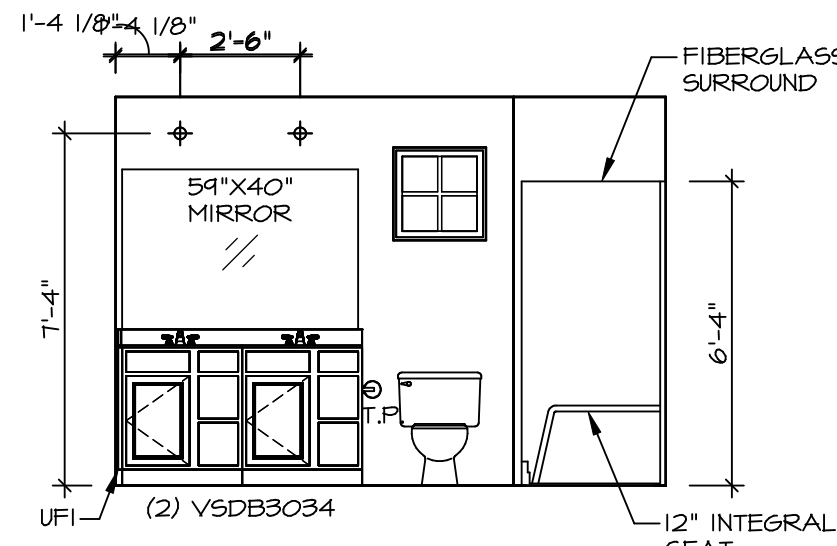
3 BATH #1 - BLOCKING DETAIL
SCALE: 3/8" = 1'-0"



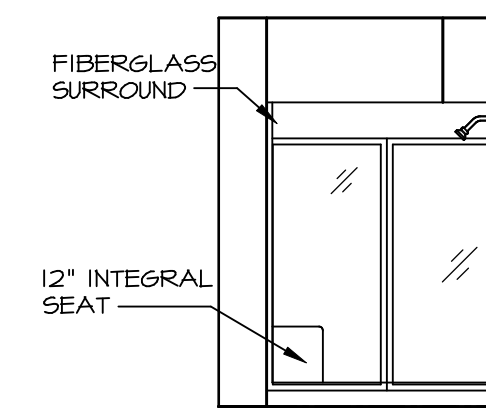
4 BATH #1 - BLOCKING DETAIL
SCALE: 3/8" = 1'-0"



B BATH #1
SCALE: 1/4" = 1'-0"



C OWNER'S BATH
SCALE: 1/4" = 1'-0"

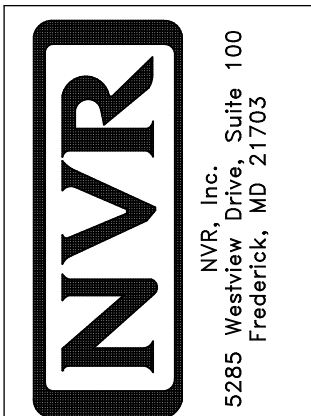


D OWNER'S BATH
SCALE: 1/4" = 1'-0" OWNER'S BATHROOM TYPE A W/SHOWER 'AMA'

NOTES:

- TEMPERED GLASS SHOWER ENCLOSURE WITH SWING DOOR OR OPTIONAL SLIDING DOOR BY DIVISION.
- TUB ACCESS PANELS PROVIDED AS NEEDED, ALL MATERIALS BY DIVISION.
- ALL BATH ELEVATIONS SHOWN PER PLAN.
- ALL VSDB24-42 DRAWERS TO BE SET ON RIGHT HAND.

SHEET NO.	MODEL	SET NO.	VERSION
A-12	GRAND BAHAMA	01	01
	DRAWING TITLE	DRAWN BY	
	BATH ELEVATIONS	DATE:	
	OPTION DESCRIPTION	OPTION	
15			



© NVR, Inc. expressly reserves the right to modify or change these plans without notice. These plans are not to be reproduced, changed or altered in any way without the written consent of NVR, Inc.

DIV-COMM-LOT-UNIT	DCY-S3-0186
COMM-LOT	SAWYERS MILL - LIFESTYLE - 0186
STREET ADDRESS	6121 CRYSTAL HARBOUR DRIVE
CITY	MIDDLETOWN
STATE	OH
ZIP	45042
APT. NO.	N