

FIRST FLOOR JACK SCHEDULE			
IDENTIFIER	DESCRIPTION	ENG. NUM.	REMARKS
J101	JACK - (3) 2X4 SP#	1000	EXTEND THRU TOP PLATE
J102	JACK - (3) 2X4 SP#	1000	EXTEND THRU TOP PLATE
J103	JACK - (2) 2X4 SFF STUD GRADE	1000	
J104	JACK - (2) 2X4 SFF STUD GRADE	1000	
J105	JACK - (2) 2X4 SFF STUD GRADE	1003	
J106	JACK - (2) 2X4 SFF STUD GRADE	1003	
J107	JACK - (2) 2X4 SFF STUD GRADE	1007	
J108	JACK - (2) 2X4 SFF STUD GRADE	1007	
J111	JACK - (3) 2X4 SP#	1015	
J112	JACK - (3) 2X4 SP#	1015	
J113	JACK - (2) 2X4 SFF STUD GRADE	1005	
J114	JACK - (2) 2X4 SFF STUD GRADE	1005	

FIELD INSTALLED FIRST FLOOR BEAM/HEADER SCHEDULE				
IDENTIFIER	DESCRIPTION	LENGTH	ENG. NUM.	REMARKS
L101-2	LVL 1.75 - 14	12'-1 3/4"	1015	2.A

**LVL PLY TO PLY FASTENING SCHEDULE:** (WHERE APPLICABLE BASED ON LVL USAGE)

1.A - (2) PLY UP TO AND INCLUDING 11 7/8" TALL; FASTEN PLYS W/ (2) ROWS 16D NAILS AT 12" O.C.  
 2.A - (2) PLY 14" TO AND 18" TALL (INCLUSIVE); FASTEN PLYS W/ (3) ROWS 16D NAILS AT 12" O.C.  
 3.A - (2) PLY 20" TALL AND OVER; FASTEN PLYS W/ (4) ROWS 16D NAILS AT 12" O.C.  
 4.A - (3) PLY UP TO AND INCLUDING 11 7/8" TALL; FASTEN PLYS W/ (2) ROWS 16D NAILS AT 12" O.C. FROM EACH SIDE  
 5.A - (3) PLY 14" TO AND 18" TALL (INCLUSIVE); FASTEN PLYS W/ (3) ROWS 16D NAILS AT 12" O.C. FROM EACH SIDE  
 6.A - (3) PLY 20" TALL AND OVER; FASTEN PLYS W/ (4) ROWS 16D NAILS AT 12" O.C. FROM EACH SIDE  
 7.A - (4) PLY (ALL SIZES); FASTEN PLYS W/ (2) ROWS 1/2" DIAMETER A307 BOLTS AT 24" O.C. SEE SHOP DRAWING FOR ADDITIONAL INFORMATION.

**LEGEND**

- BEARING WALL
- NON BEARING WALL
- INDICATES BEARING FROM POINT-LOAD ABOVE JACKS
- BEAM/HEADER
- PAD FOOTING
- STEEL COLUMN
- TRUSS TIE DOWN
- PORTAL FRAME
- JOIST/TRUSS
- LVL
- ENGINEERING PAGE NUMBER

SEE FC DETAILS FOR FRAMING CONNECTORS

- FLOOR PLAN NOTES** RYAN
- ALL HEADERS ARE (2) 2x6 W/ 2x4 WALLS OR (3) 2x6 W/ 2x6 WALLS, UNLESS OTHERWISE NOTED.
  - ALL HEADERS TO HAVE (1) 2x4 OR 2x6 JACK AND KING STUD EACH END, UNLESS OTHERWISE NOTED. MULTI-OPENING HEADERS TO HAVE (2) JACKS AT INTERMEDIATE BEARING, UNLESS OTHERWISE NOTED. NO ADDITIONAL FLOOR SYSTEM BLOCKING OR CONTINUOUS LOAD PATH JACKS ARE REQUIRED UNLESS OTHERWISE NOTED.
  - ALL EXTERIOR WALLS TO BE 4" W/ OSB OR 3 1/2" W/ LAMINATED FIBROUS STRUCTURAL SHEATHING, ALL INTERIOR WALLS TO BE 3 1/2", UNLESS OTHERWISE NOTED. HATCHED AREAS INDICATE DROPPED CEILINGS. ALL DROPPED CEILINGS ARE 12" UNLESS OTHERWISE NOTED.
  - SEE "BRACED WALL PANEL DETAIL SHEET" FOR SPECIAL WALL FRAMING LOCATIONS AND HEADER SIZES, IF APPLICABLE.
  - SEE STANDARD DETAIL CATEGORY "IT" SHEET(S) FOR INTERIOR TRIM DETAILS.
  - SEE ARCHITECTURAL DETAIL SHEET "AD" FOR HOUSE SPECIFIC INTERIOR TRIM OPTION TABLE.
  - ALL HEADERS IN NON-BEARING WALLS SHALL BE A SINGLE FLAT 2X4 OR 2X6 ATTACHED TO CRIPPLES ABOVE, UNLESS OTHERWISE NOTED.
  - TANKED WATER HEATER SHOWN AS BASE CONDITION. OPTIONAL TANKLESS WATER HEATER IS AVAILABLE IN LIEU OF TANKED WATER HEATER.

**GYPSUM NOTES**

AT GARAGE:  
 GYPSUM BOARD AT COMMON WALLS, CEILINGS, BEAM WRAPS AND SUPPORTS PER STANDARD DETAIL FA-1(b) FIRE ASSEMBLIES OR AS REQUIRED BY LOCAL CODE.

AT STAIRS:  
 1/2" GYPSUM BOARD AT UNDERSIDE OF STAIRS AND WALLS IN CLOSET

**FIRST FLOOR PLAN**  
 SCALE: 1/4" = 1'-0"

© NVR, Inc. expressly reserves the right to modify or amend these plans without notice. These plans are not to be reproduced, changed or altered in any way without the written consent of NVR, Inc.

**NVR**  
 NVR, Inc. Suite 100  
 Frederick, MD 21703  
 5285 Washburn Lane

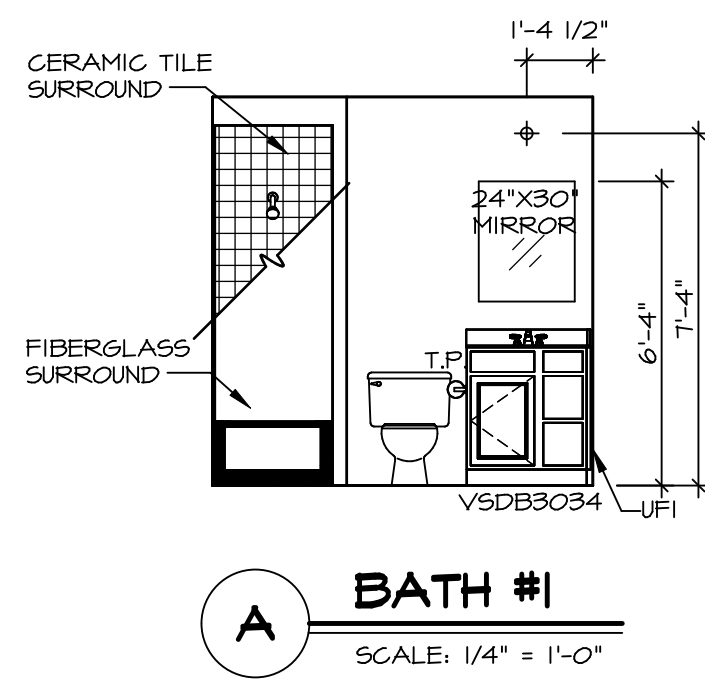
MODEL: GRAND BAHAMA  
 DRAWING TITLE: FIRST FLOOR PLAN  
 SHEET NO.: A-7

SET NO.: 6EHO0  
 VERSION: 01  
 DRAWN BY:  
 DATE:  
 OPTION:

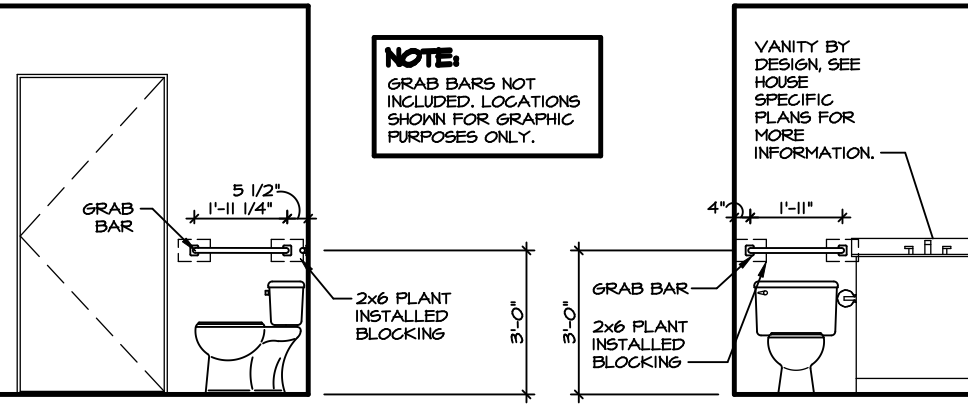
DCY-S3-0193  
 COMM-L0T  
 5AMYMERS MILL - LIFESTYLE - 0193  
 STREET ADDRESS: 6106 CRYSTAL HARBOUR DRIVE  
 CITY: MIDDLETOWN  
 STATE: OH  
 ZIP: 45042

C:\NVR\Solves\GRAND\_BAHAMA\_6EHO0\_01\DCY-S3-0193\2198543\Sheets\01\_A-7\_Plan\_L.S.dwg 01/15/21 - 2:47 pm

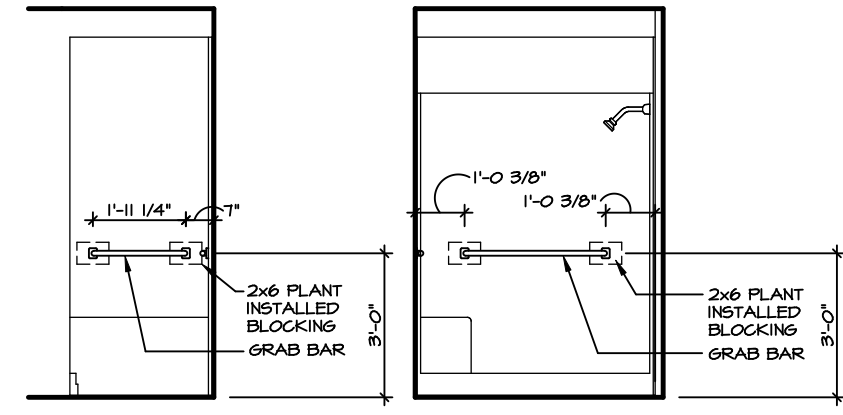




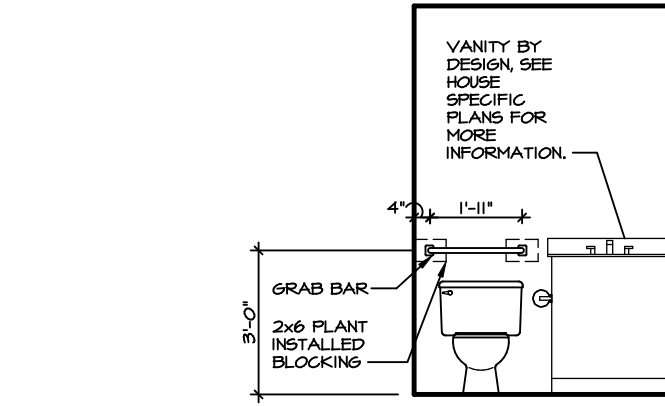
**A BATH #1**  
SCALE: 1/4" = 1'-0"



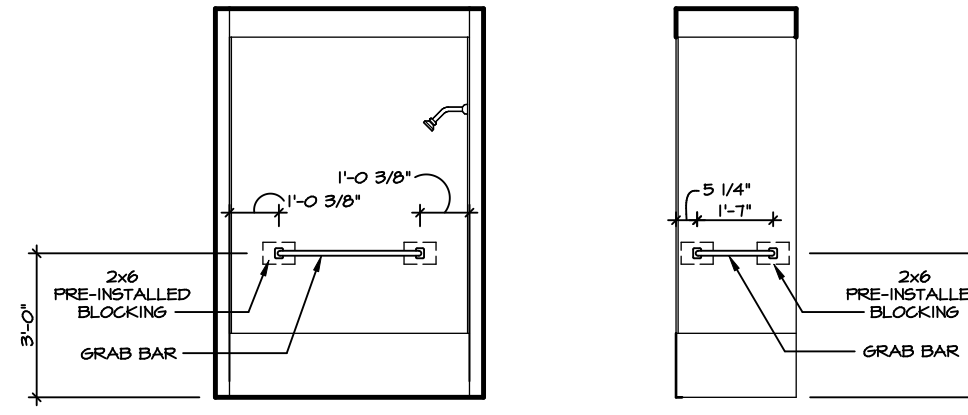
**1 OWNER'S BATH - BLOCKING DETAIL**  
SCALE: 3/8" = 1'-0"



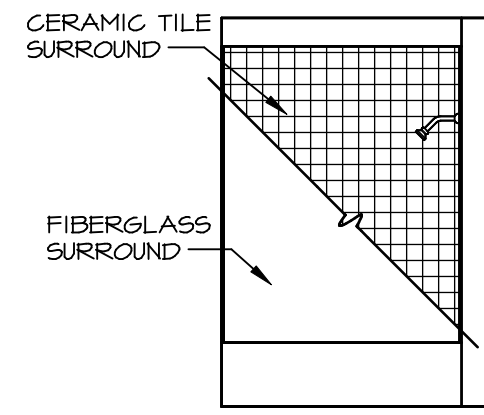
**2 OWNER'S BATH - BLOCKING DETAIL**  
SCALE: 3/8" = 1'-0"



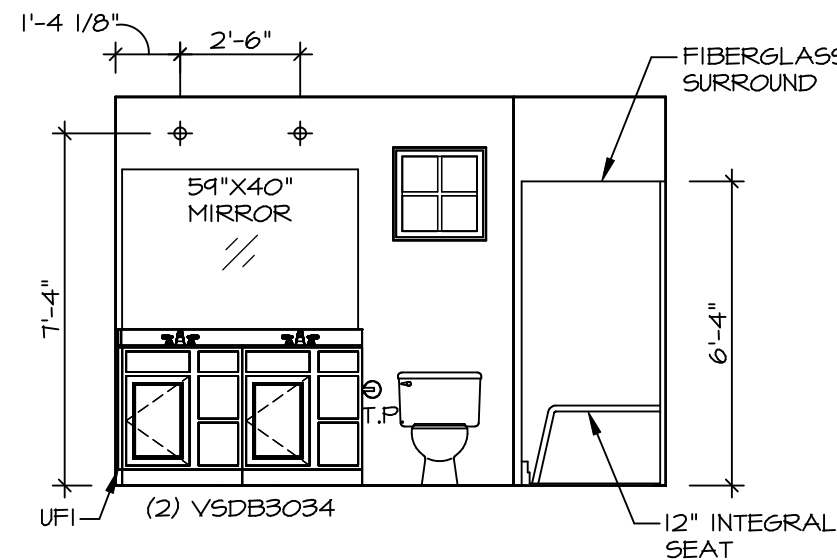
**3 BATH #1 - BLOCKING DETAIL**  
SCALE: 3/8" = 1'-0"



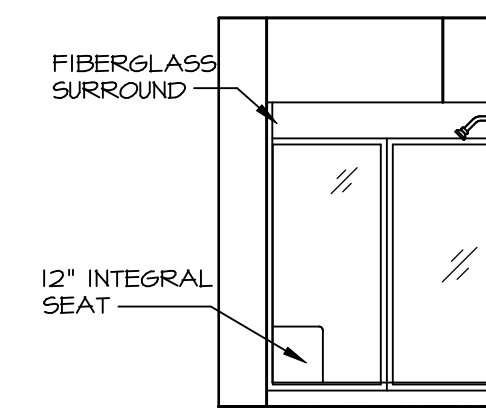
**4 BATH #1 - BLOCKING DETAIL**  
SCALE: 3/8" = 1'-0"



**B BATH #1**  
SCALE: 1/4" = 1'-0"



**C OWNER'S BATH**  
SCALE: 1/4" = 1'-0"



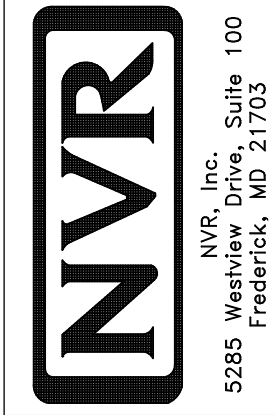
**D OWNER'S BATH**  
SCALE: 1/4" = 1'-0" OWNER'S BATHROOM TYPE A W/SHOWER 'AMA'

**NOTE:**  
GRAB BARS NOT INCLUDED. LOCATIONS SHOWN FOR GRAPHIC PURPOSES ONLY.

VANITY BY DESIGN. SEE HOUSE SPECIFIC PLANS FOR MORE INFORMATION.

VANITY BY DESIGN. SEE HOUSE SPECIFIC PLANS FOR MORE INFORMATION.

SHEET NO. **A-12**  
MODEL **GRAND BAHAMA**  
DRAWING TITLE **BATH ELEVATIONS**  
OPTION DESCRIPTION



© NVR, Inc. NVR, Inc. Suite 100  
5285 Washburne, Suite 100  
Frederick, MD 21703

DIV-COMM-LOT-UNIT **DCY-S3-0193**  
COMM-LOT  
STREET ADDRESS **SAWYERS MILL - LIFESTYLE - 0193**  
STREET ADDRESS **6106 CRYSTAL HARBOUR DRIVE**  
CITY **MIDDLETOWN** STATE **OH** ZIP **45042**

SET NO. **6EHO0**  
VERSION **01**  
DRAWN BY  
DATE:  
OPTION

- NOTES:**
- TEMPERED GLASS SHOWER ENCLOSURE WITH SWING DOOR OR OPTIONAL SLIDING DOOR BY DIVISION.
  - TUB ACCESS PANELS PROVIDED AS NEEDED, ALL MATERIALS BY DIVISION.
  - ALL BATH ELEVATIONS SHOWN PER PLAN.
  - ALL VSDB24-42 DRAWERS TO BE SET ON RIGHT HAND.