

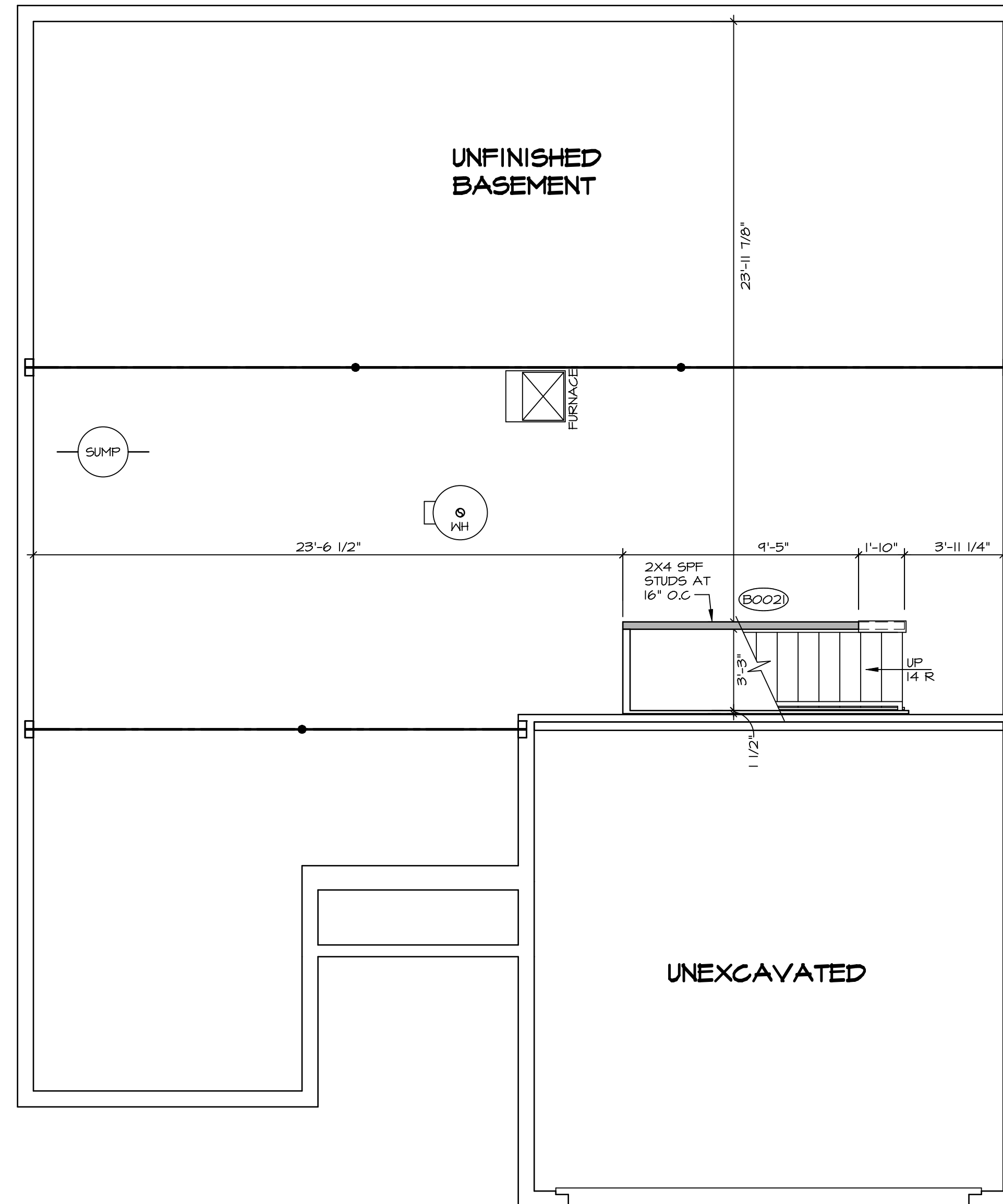
1 PLUMBING PLAN
 A-5 SCALE: 1/4" = 1'-0"

SHEET NO. A-5	MODEL GRAND BAHAMA	SET NO. 6EH00	VERSION 01
	DRAWING TITLE PLUMBING PLAN	DRAWN BY	
	OPTION DESCRIPTION	DATE:	OPTION
8			

NVR
 NVR, Inc. Suite 100
 5285 Walkersville Road
 Frederick, MD 21703

© NVR, Inc. expressly reserves the right to modify or amend these plans at any time without notice. These plans are not to be reproduced, changed or altered in any way without the written consent of NVR, Inc.

DIV-COMM-LOT-UNIT
DCY-S3-0196
 COMM-LOT
 SANYERS MILL - LIFESTYLE - 0196
 STREET ADDRESS
 5586 WOODCREEK DRIVE
 CITY MIDDLETOWN STATE OH ZIP 45042



BASEMENT FLOOR PLAN
SCALE: 1/4" = 1'-0"

LEGEND

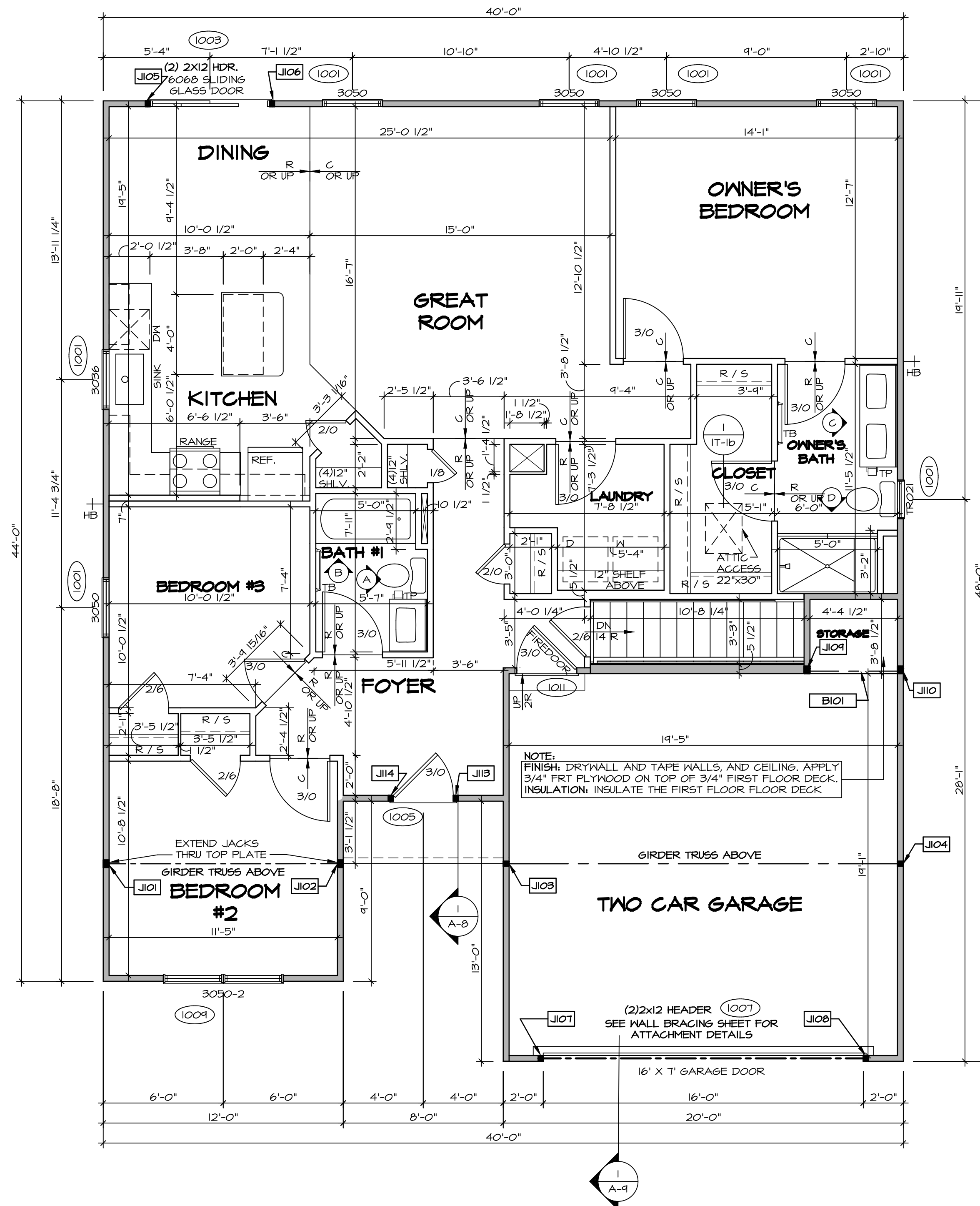
	BEARING WALL
	NON BEARING WALL
	INDICATES BEARING FROM POINT-LOAD ABOVE
	JACKS
	BEAM-HEADER
	PAD FOOTING
	STEEL COLUMN
	TRUSS TIE DOWN
	PORTAL FRAME
	JOIST/TRUSS
	LVL
	ENGINEERING PAGE NUMBER

SEE FC DETAILS FOR FRAMING CONNECTORS

- FLOOR PLAN NOTES**
- ALL HEADERS ARE (2) 2x6 w/ 2x4 WALLS OR (3) 2x6 w/ 2x6 WALLS, UNLESS OTHERWISE NOTED.
 - ALL HEADERS TO HAVE (1) 2x4 OR 2x6 JACK AND KING STUD EACH END, UNLESS OTHERWISE NOTED. MULTI-OPENING HEADERS TO HAVE (2) JACKS AT INTERMEDIATE BEARING, UNLESS OTHERWISE NOTED. NO ADDITIONAL FLOOR SYSTEM BLOCKING OR CONTINUOUS LOAD PATH JACKS ARE REQUIRED UNLESS OTHERWISE NOTED.
 - ALL EXTERIOR WALLS TO BE 4" w/ OSB OR 3 1/2" w/ LAMINATED FIBROUS STRUCTURAL SHEATHING, ALL INTERIOR WALLS TO BE 3 1/2", UNLESS OTHERWISE NOTED. HATCHED AREAS INDICATE DROPPED CEILINGS. ALL DROPPED CEILINGS ARE 12" UNLESS OTHERWISE NOTED.
 - SEE "BRACED WALL PANEL DETAIL SHEET" FOR SPECIAL WALL FRAMING LOCATIONS AND HEADER SIZES, IF APPLICABLE.
 - SEE STANDARD DETAIL CATEGORY "1T" SHEET(S) FOR INTERIOR TRIM DETAILS.
 - SEE ARCHITECTURAL DETAIL SHEET "AD" FOR HOUSE WRAPS AND SUPPORTS PER STANDARD DETAIL FA-1(b) FIRE ASSEMBLIES OR AS REQUIRED BY LOCAL CODE.
 - ALL HEADERS IN NON-BEARING WALLS SHALL BE A SINGLE FLAT 2x4 OR 2x6 ATTACHED TO CRIPPLES ABOVE, UNLESS OTHERWISE NOTED.
 - TANKED WATER HEATER SHOWN AS BASE CONDITION. OPTIONAL TANKLESS WATER HEATER IS AVAILABLE IN LIEU OF TANKED WATER HEATER.

- GYPSUM NOTES**
- AT GARAGE:
GYPSUM BOARD AT COMMON WALLS, CEILINGS, BEAM WRAPS AND SUPPORTS PER STANDARD DETAIL FA-1(b) FIRE ASSEMBLIES OR AS REQUIRED BY LOCAL CODE.
- AT STAIRS:
1/2" GYPSUM BOARD AT UNDERSIDE OF STAIRS AND WALLS IN CLOSET

SHEET NO. A-6	MODEL GRAND BAHAMA	DRAWING TITLE BASEMENT FLOOR PLAN	SET NO. 6BHO0	VERSION 01
			DRAWN BY	DATE:
OPTION DESCRIPTION 9	OPTION	C:\NVR\Solves\GRAND_BAHAMA_6BHO0_01\DCY-S3-0196\210289\Sheets\Lot_Specific\A A-6_BSMT_LS.dwg 01/28/21 - 5:00 pm		
		<p>© NVR, Inc. expressly reserves the right to modify or amend these plans at any time without notice. These plans are not to be reproduced, changed or altered in any way without the written consent of NVR, Inc.</p> <p>NVR NVR, Inc. Suite 100 Frederick, MD 21703</p>		
DIV-COMM-LOT-UNIT DCY-S3-0196		<p>COMM-LOT SAWYERS MILL - LIFESTYLE - 0196</p> <p>STREET ADDRESS 5586 WOODCREEK DRIVE</p> <p>CITY MIDDLETOWN</p> <p>STATE OH</p> <p>ZIP 45042</p>		



FIRST FLOOR PLAN
SCALE: 1/4" = 1'-0"

FIRST FLOOR JACK SCHEDULE			
IDENTIFIER	DESCRIPTION	ENG. NUM.	REMARKS
J101	JACK - (3) 2X4 SP#1	1000	EXTEND THRU TOP PLATE
J102	JACK - (3) 2X4 SP#1	1000	EXTEND THRU TOP PLATE
J103	JACK - (2) 2X4 SP# STUD GRADE	1000	
J104	JACK - (2) 2X4 SP# STUD GRADE	1000	
J105	JACK - (2) 2X4 SP# STUD GRADE	1003	
J106	JACK - (2) 2X4 SP# STUD GRADE	1003	
J107	JACK - (2) 2X4 SP# STUD GRADE	1007	
J108	JACK - (2) 2X4 SP# STUD GRADE	1007	
J109	JACK - (3) 2X4 SP# STUD GRADE	1013	
J110	JACK - (3) 2X4 SP# STUD GRADE	1013	
J111	JACK - (2) 2X4 SP# STUD GRADE	1005	
J112	JACK - (2) 2X4 SP# STUD GRADE	1005	

LVL PLY TO PLY FASTENING SCHEDULE: (WHERE APPLICABLE BASED ON LVL USAGE)

1.A - (2) PLY UP TO AND INCLUDING 11 7/8" TALL; FASTEN PLYS W/ (2) ROWS 16D NAILS AT 12" O.C.
 2.A - (2) PLY 14" TO AND 18" TALL (INCLUSIVE); FASTEN PLYS W/ (3) ROWS 16D NAILS AT 12" O.C.
 3.A - (2) PLY 20" TALL AND OVER; FASTEN PLYS W/ (4) ROWS 16D NAILS AT 12" O.C.
 4.A - (3) PLY UP TO AND INCLUDING 11 7/8" TALL; FASTEN PLYS W/ (2) ROWS 16D NAILS AT 12" O.C. FROM EACH SIDE
 5.A - (3) PLY 14" TO AND 18" TALL (INCLUSIVE); FASTEN PLYS W/ (3) ROWS 16D NAILS AT 12" O.C. FROM EACH SIDE
 6.A - (3) PLY 20" TALL AND OVER; FASTEN PLYS W/ (4) ROWS 16D NAILS AT 12" O.C. FROM EACH SIDE
 7.A - (4) PLY (ALL SIZES); FASTEN PLYS W/ (2) ROWS 1/2" DIAMETER A307 BOLTS AT 24" O.C. SEE SHOP DRAWING FOR ADDITIONAL INFORMATION.

FIELD INSTALLED FIRST FLOOR BEAM/HEADER SCHEDULE				
IDENTIFIER	DESCRIPTION	LENGTH	ENG. NUM.	REMARKS
B101	INT HEADER - 2X10 - 2 PLY	4'-11 1/2"	1013	

LEGEND

- BEARING WALL
- NON BEARING WALL
- INDICATES BEARING FROM POINT-LOAD ABOVE JACKS
- BEAM/HEADER
- PAD FOOTING
- STEEL COLUMN
- TRUSS TIE DOWN
- PORTAL FRAME
- JOIST/TRUSS
- LVL
- ENGINEERING PAGE NUMBER

SEE FC DETAILS FOR FRAMING CONNECTORS

- FLOOR PLAN NOTES** RYAN
- ALL HEADERS ARE (2) 2x6 W/ 2x4 WALLS OR (3) 2x6 W/ 2x6 WALLS, UNLESS OTHERWISE NOTED.
 - ALL HEADERS TO HAVE (1) 2x4 OR 2x6 JACK AND KING STUD EACH END, UNLESS OTHERWISE NOTED. MULTI-OPENING HEADERS TO HAVE (2) JACKS AT INTERMEDIATE BEARING, UNLESS OTHERWISE NOTED. NO ADDITIONAL FLOOR SYSTEM BLOCKING OR CONTINUOUS LOAD PATH JACKS ARE REQUIRED UNLESS OTHERWISE NOTED.
 - ALL EXTERIOR WALLS TO BE 4" W/ OSB OR 3 1/2" W/ LAMINATED FIBROUS STRUCTURAL SHEATHING, ALL INTERIOR WALLS TO BE 3 1/2", UNLESS OTHERWISE NOTED. HATCHED AREAS INDICATE DROPPED CEILINGS. ALL DROPPED CEILINGS ARE 12" UNLESS OTHERWISE NOTED.
 - SEE "BRACED WALL PANEL DETAIL SHEET" FOR SPECIAL WALL FRAMING LOCATIONS AND HEADER SIZES, IF APPLICABLE.
 - SEE STANDARD DETAIL CATEGORY "11" SHEET(S) FOR INTERIOR TRIM DETAILS.
 - SEE ARCHITECTURAL DETAIL SHEET "AD" FOR HOUSE SPECIFIC INTERIOR TRIM OPTION TABLE.
 - ALL HEADERS IN NON-BEARING WALLS SHALL BE A SINGLE FLAT 2X4 OR 2X6 ATTACHED TO CRIPPLES ABOVE, UNLESS OTHERWISE NOTED.
 - TANKED WATER HEATER SHOWN AS BASE CONDITION. OPTIONAL TANKLESS WATER HEATER IS AVAILABLE IN LIEU OF TANKED WATER HEATER.

GYPSUM NOTES

AT GARAGE:
GYPSUM BOARD AT COMMON WALLS, CEILINGS, BEAM WRAPS AND SUPPORTS PER STANDARD DETAIL FA-1(b) FIRE ASSEMBLIES OR AS REQUIRED BY LOCAL CODE.

AT STAIRS:
1/2" GYPSUM BOARD AT UNDERSIDE OF STAIRS AND WALLS IN CLOSET

DIV-COMM-LOT-UNIT
 COMM-LOT
 STREET ADDRESS
 CITY

DCY-S3-0196

SAWYERS MILL - LIFESTYLE - 0196

5586 WOODCREEK DRIVE

MIDDLETOWN, OH 45042

SHEET NO.
A-7

MODEL
GRAND BAHAMA

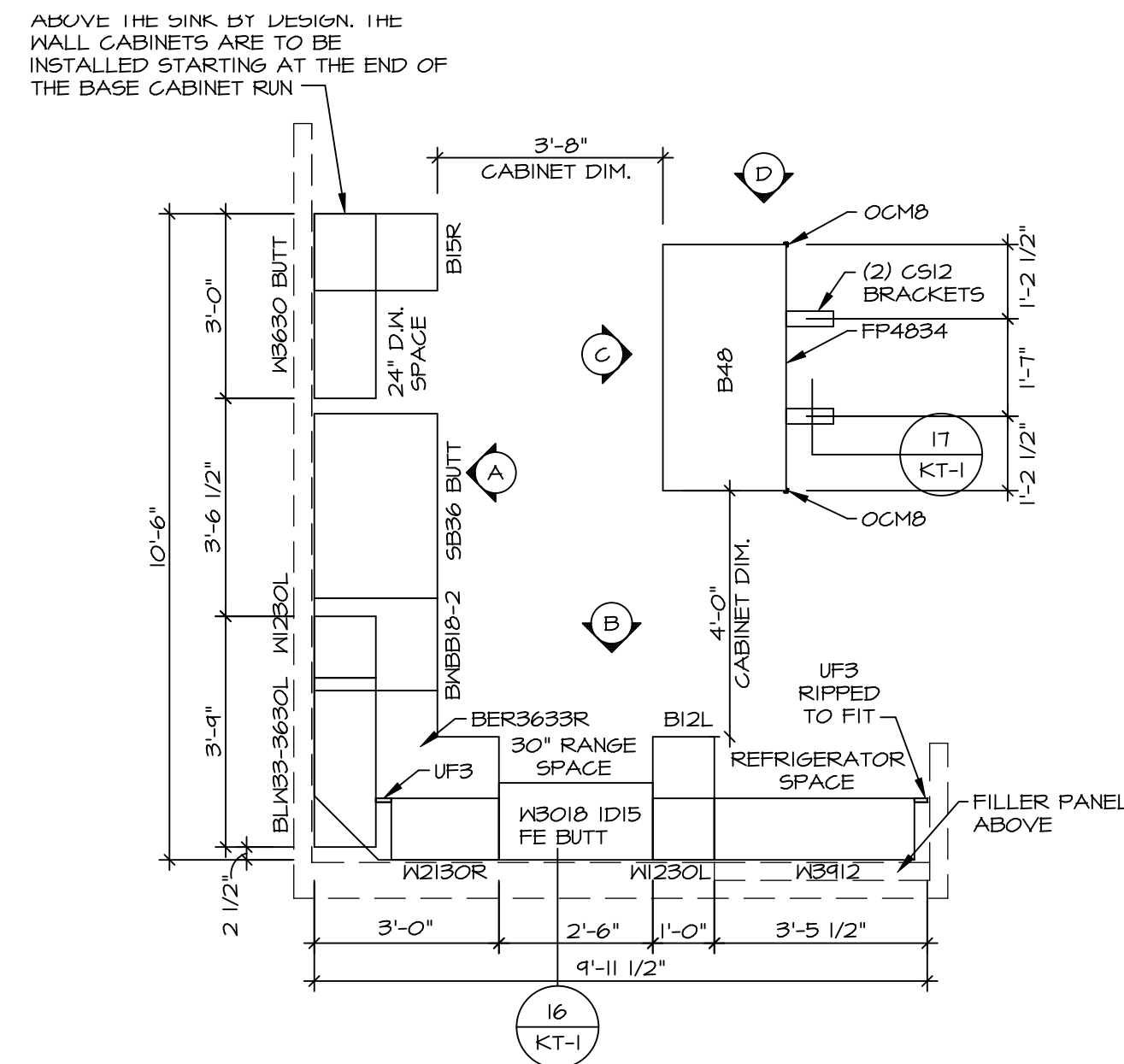
DRAWING TITLE
FIRST FLOOR PLAN

OPTION DESCRIPTION
10

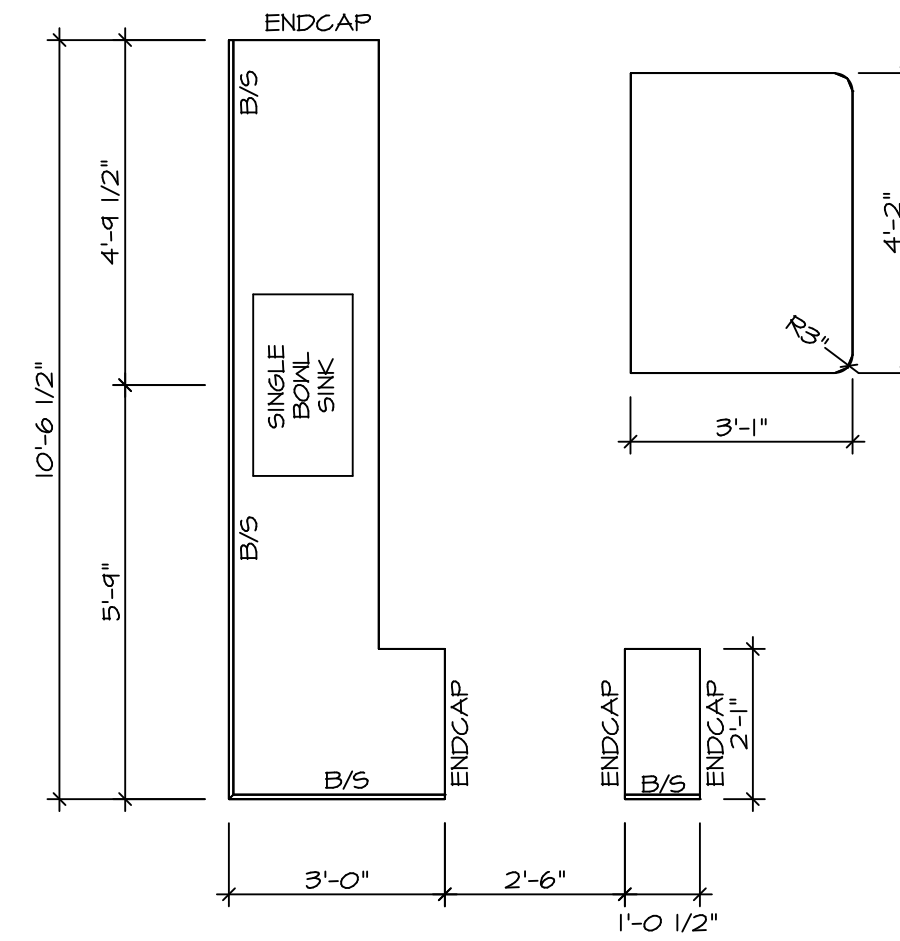
SET NO. GEHOO
 VERSION 01
 DRAWN BY
 DATE:
 OPTION

SHEET NO.
A-7

C:\NVR\Solves\GRAND_BAHAMA_GEHOO_01\DCY-S3-0196\2210289A\Sheets\01 A-7 PLAN\LS.dwg 01/28/21 - 5:00 pm

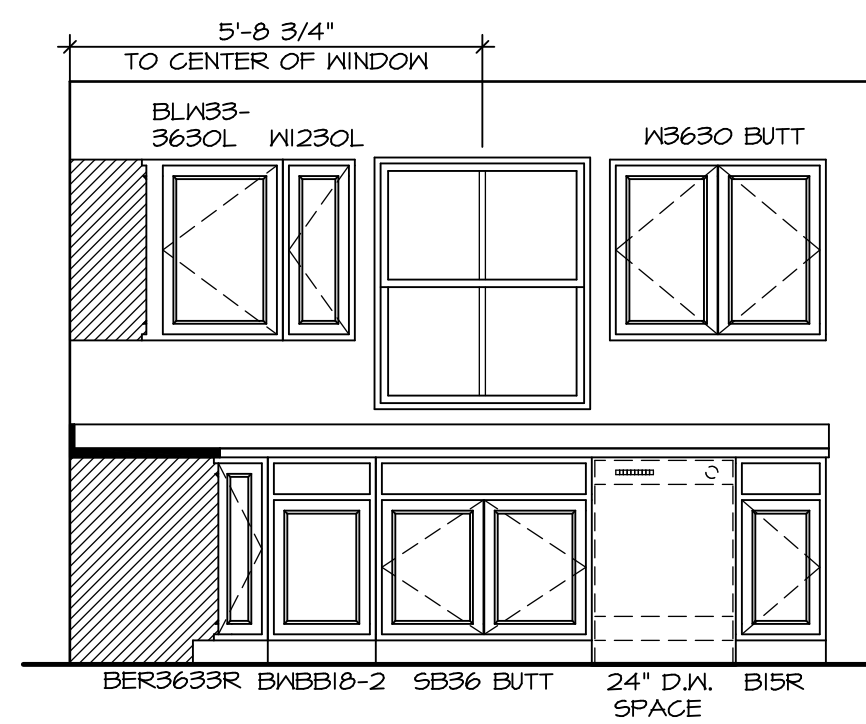


1 KITCHEN CABINET PLAN / KC-3765
SCALE: 3/8" = 1'-0"

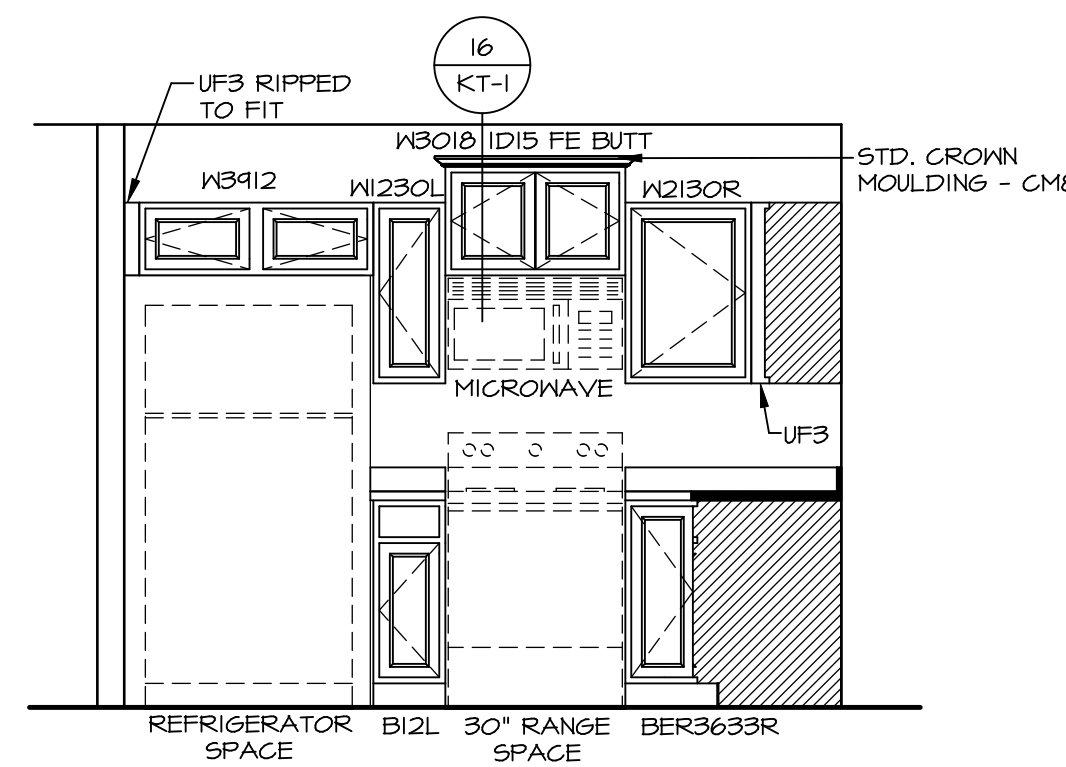


2 KITCHEN COUNTERTOP PLAN KC-3765
SCALE: 3/8" = 1'-0"

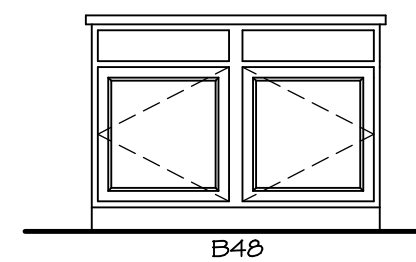
- NOTES:**
- CABINET LAYOUT (S) ARE BASED ON FINISHED DIMENSIONS TO DRYWALL.
 - IF KITCHEN PLANS/ELEVATIONS CALL-OUT STANDARD MOLDING, REFER TO STANDARD DETAIL (11KT-1) FOR REPLACEMENT BASED ON CABINET STYLE.
 - ALL (UFR) FILLERS ARE TO BE "TRIM TO FIT" UNLESS OTHERWISE NOTED.
 - CABINET MUST BE SET SHIMMED, LEVELED AND FLUSH BY ADJOINING BASE CABINETS.
 - SET PRE-FINISHED SCRIBE MOLDING AT CABINET BULKHEADS AND AT ENDS (WHERE CABINETS MEET DRYWALL.) PRE-FINISHED SCRIBE MOLDING SHALL BE USED TO PAD OUT CABINET SIDES AT STILE FOR RETURN PIECES OF THE FACE-MOUNTED CABINET CROWN MOLDING.
 - HARDWARE INSTALL NOTE: KNOBS GO ON OPERABLE DOORS AND DRAWERS FOR ALL KITCHEN AND BATH AREAS. DRAWER FRONTS AND DOORS GET (1) KNOB/PULL, NO HARDWARE ON FALSE DRAWER FRONTS.



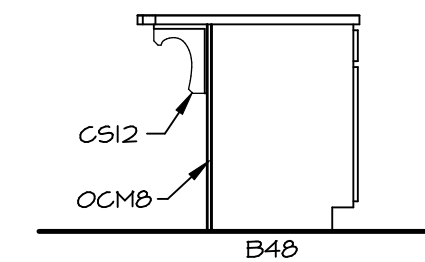
A KITCHEN ELEVATION
SCALE: 3/8" = 1'-0"



B KITCHEN ELEVATION
SCALE: 3/8" = 1'-0"

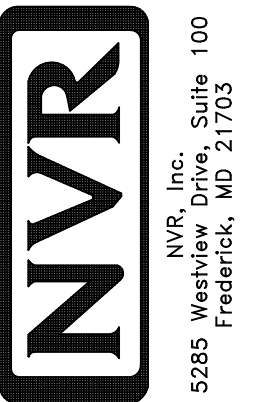


C KITCHEN ELEVATION
SCALE: 3/8" = 1'-0"



D KITCHEN ELEVATION
SCALE: 3/8" = 1'-0"

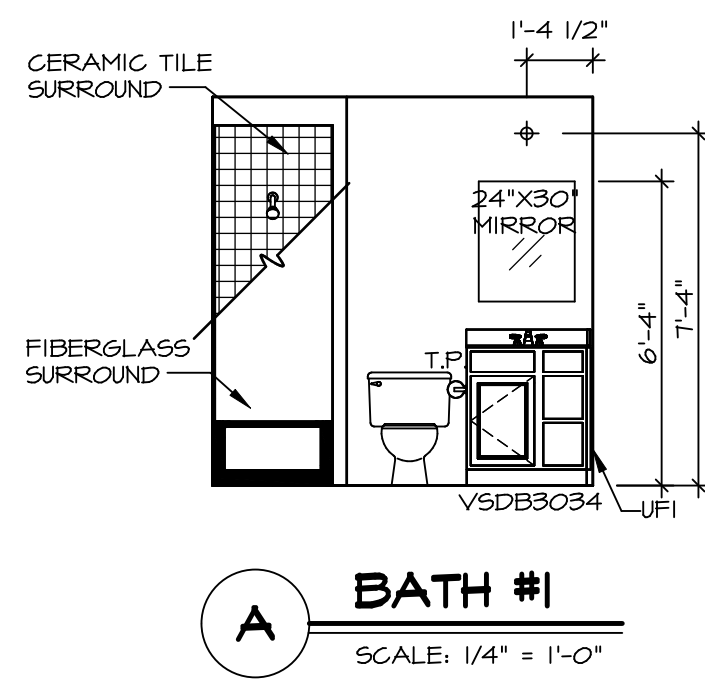
© NVR, Inc. expressly reserves the right to modify these plans at any time without notice. These plans are not to be reproduced, changed or altered in any way without the written consent of NVR, Inc.



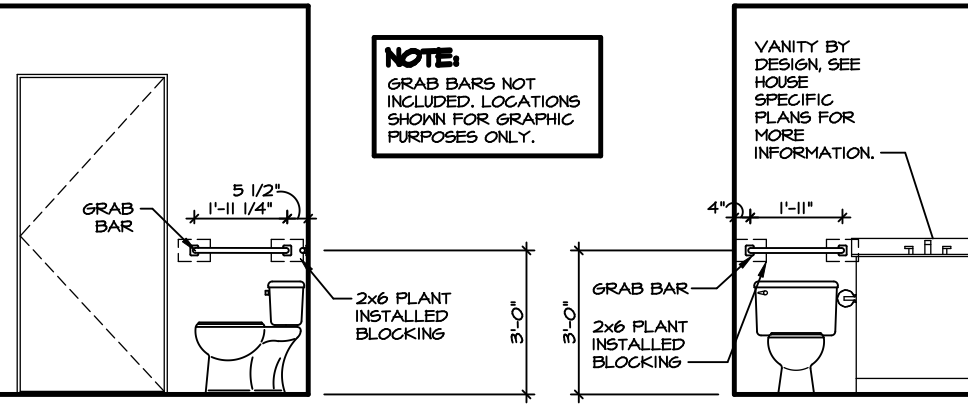
SET NO. 6BHO0
VERSION 01
DRAWN BY
DATE:
OPTION

SHEET NO. **A-11**
MODEL **GRAND BAHAMA**
DRAWING TITLE **KITCHENS**
OPTION DESCRIPTION

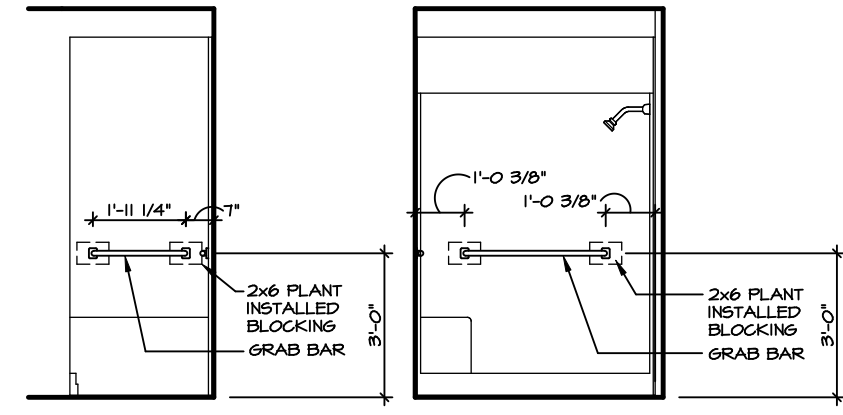
DIV-COMM-LOT-UNIT
DCY-S3-0196
COMM-LOT
SAMMYERS MILL - LIFESTYLE - 0196
STREET ADDRESS
5586 WOODCREEK DRIVE
CITY MIDDLETOWN STATE OH ZIP 45042



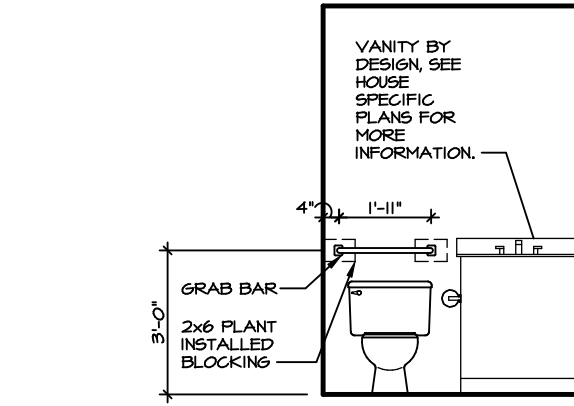
A BATH #1
SCALE: 1/4" = 1'-0"



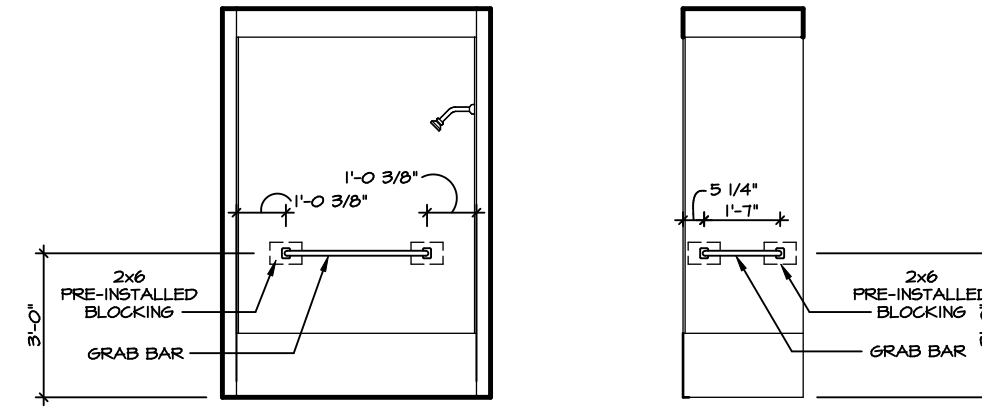
1 OWNER'S BATH - BLOCKING DETAIL
SCALE: 3/8" = 1'-0"



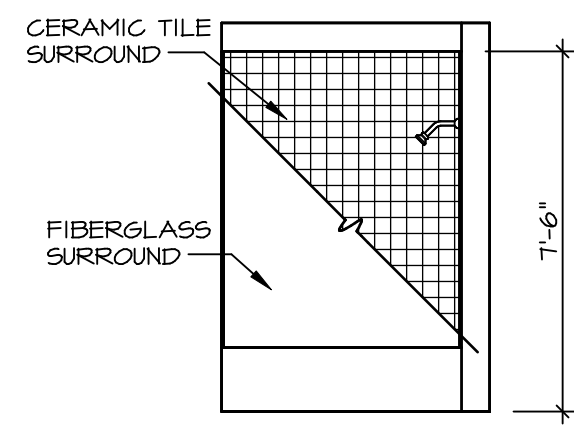
2 OWNER'S BATH - BLOCKING DETAIL
SCALE: 3/8" = 1'-0"



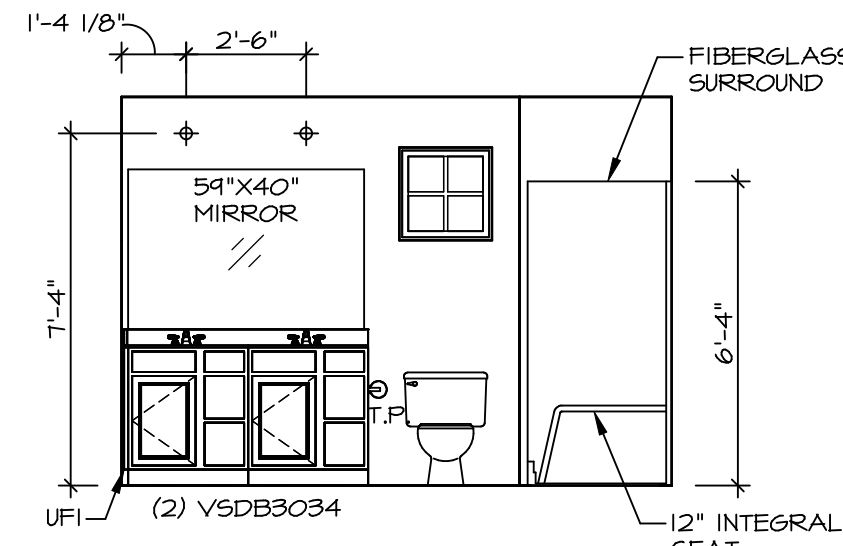
3 BATH #1 - BLOCKING DETAIL
SCALE: 3/8" = 1'-0"



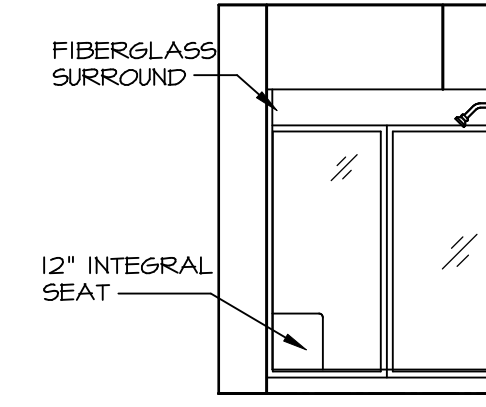
4 BATH #1 - BLOCKING DETAIL
SCALE: 3/8" = 1'-0"



B BATH #1
SCALE: 1/4" = 1'-0"



C OWNER'S BATH
SCALE: 1/4" = 1'-0"



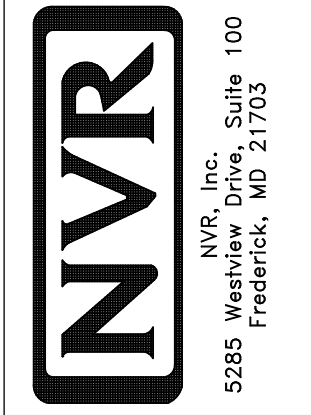
D OWNER'S BATH
SCALE: 1/4" = 1'-0" OWNER'S BATHROOM TYPE A W/SHOWER 'AMA'

NOTE:
GRAB BARS NOT INCLUDED. LOCATIONS SHOWN FOR GRAPHIC PURPOSES ONLY.

VANITY BY DESIGN. SEE HOUSE SPECIFIC PLANS FOR MORE INFORMATION.

VANITY BY DESIGN. SEE HOUSE SPECIFIC PLANS FOR MORE INFORMATION.

SHEET NO.	MODEL	SET NO.	OPTION
A-12	GRAND BAHAMA DRAWING TITLE BATH ELEVATIONS	01	
15			



© NVR, Inc. NVR, Inc. Suite 100
5285 Washburne, Suite 100
Frederick, MD 21703

DIV-COMM-LOT-UNIT
DCY-S3-0196
COMM-LOT
SAWYERS MILL - LIFESTYLE - 0196
STREET ADDRESS
5586 WOODCREEK DRIVE
CITY MIDDLETOWN STATE OH ZIP 45042

APPT. NO. ---
A-12

- NOTES:**
- TEMPERED GLASS SHOWER ENCLOSURE WITH SWING DOOR OR OPTIONAL SLIDING DOOR BY DIVISION.
 - TUB ACCESS PANELS PROVIDED AS NEEDED, ALL MATERIALS BY DIVISION.
 - ALL BATH ELEVATIONS SHOWN PER PLAN.
 - ALL V5DB24-42 DRAWERS TO BE SET ON RIGHT HAND.