

NOTE
 RADON REMEDIATION
 RADON LOOP:
 - (4") PERFORATED HDPE "LOOP"
 - MUST BE PLACED IN STONE BED SLIGHTLY HIGHER THAN ANY INTERIOR DRAINTILE
 - LOOP TO BE SEPARATE FROM ANY DRAINTILE ELEMENTS
 - TO BE CORRUGATED HDPE PIPE
 - SCREENS TO BE INSTALLED THROUGH LOOP AT TEE UP INTO STACK
 STACK REQUIREMENTS:
 - 3" PVC STACK (4" IF BASEMENT IS GREATER THAN 2200 SQFT.)
 - NO PART OF STACK IS TO BE HORIZONTAL (45° ELBOWS PERMITTED AS REQUIRED)
 - PIPE TO BE PHYSICALLY LABELED IN THE FIELD AS "RADON VENT" OR OTHER
 JURISDICTIONALLY REQUIRED LANGUAGE (ON EVERY LEVEL OF HOUSE)
 - ROOF TERMINATION TO BE IN TOP 1/3 OF ROOF
 - SCREEN OR VENT CAP INSTALLED TO KEEP PESTS OUT OF RADON VENT AT ROOF TERMINATION.

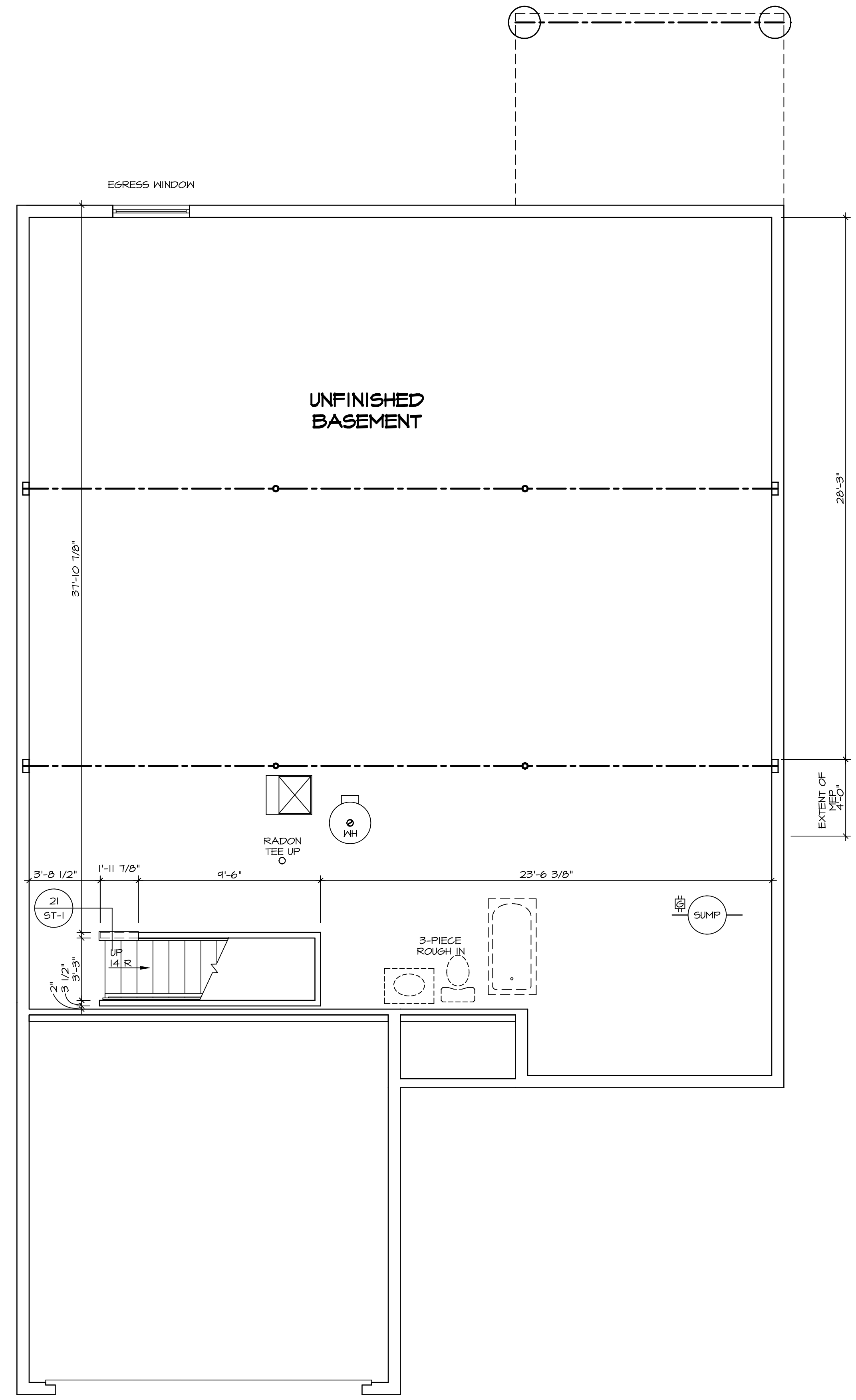
PLUMBING PLAN
 SCALE: 1/4" = 1'-0"

SHEET NO.	A-5
MODEL	EDEN CAY
VERSION	01
DRAWN BY	SGA
DATE:	
OPTION	OPTION

NVR
 NVR, Inc. Suite 100
 Frederick, MD 21703

© NVR, Inc. expressly reserves the right to modify or amend these plans at any time without notice. These plans are not to be reproduced, changed or altered in any way without the written consent of NVR, Inc.

DIV-COMM-LOT-UNIT	
DCY-S3-0242	
COMM-LOT	5AMYMERS MILL - LIFESTYLE - 0242
STREET ADDRESS	6618 CRYSTAL HARBOUR DR.
CITY	MIDDLETOWN
STATE	OH
ZIP	45042



LEGEND

- BEARING WALL
- NON BEARING WALL
- INDICATES BEARING FROM POINT-LOAD ABOVE
- JACKS
- BEAM/HEADER
- PAD FOOTING
- STEEL COLUMN
- TRUSS TIE DOWN
- PORTAL FRAME
- JOIST/TRUSS
- LVL
- ENGINEERING PAGE NUMBER

SEE FC DETAILS FOR FRAMING CONNECTORS

ALL WINDOWS HAVE 1'-0 1/2" HEADER HEIGHT UNLESS OTHERWISE NOTED

FLOOR PLAN NOTES

1. ALL HEADERS ARE (2) 2x6 w/ 2x4 WALLS OR (3) 2x6 w/ 2x6 WALLS, UNLESS OTHERWISE NOTED.
2. ALL HEADERS TO HAVE (1) 2x4 OR 2x6 JACK AND KING STUD EACH END, UNLESS OTHERWISE NOTED. MULTI-OPENING HEADERS TO HAVE (2) JACKS AT INTERMEDIATE BEARINGS, UNLESS OTHERWISE NOTED. NO ADDITIONAL FLOOR SYSTEM BLOCKING OR CONTINUOUS LOAD PATH JACKS ARE REQUIRED UNLESS OTHERWISE NOTED.
3. ALL EXTERIOR WALLS TO BE 4" w/ OSB OR 3 1/2" w/ LAMINATED FIBROUS STRUCTURAL SHEATHING, ALL INTERIOR WALLS TO BE 3 1/2", UNLESS OTHERWISE NOTED.
4. HATCHED AREAS INDICATE DROPPED CEILINGS. ALL DROPPED CEILINGS ARE 12" UNLESS OTHERWISE NOTED.
5. SEE "BRACED WALL PANEL DETAIL SHEET" FOR SPECIAL WALL FRAMING LOCATIONS AND HEADER SIZES, IF APPLICABLE.
6. SEE STANDARD DETAIL CATEGORY "IT" SHEET(S) FOR INTERIOR TRIM DETAILS.
7. SEE ARCHITECTURAL DETAIL SHEET "AD" FOR HOUSE SPECIFIC INTERIOR TRIM OPTION TABLE.
8. ALL HEADERS IN NON-BEARING WALLS SHALL BE A SINGLE FLAT 2x4 OR 2x6 ATTACHED TO CRIPPLES ABOVE, UNLESS OTHERWISE NOTED.
9. TANKED WATER HEATER SHOWN AS BASE CONDITION, OPTIONAL TANKLESS WATER HEATER IS AVAILABLE IN LIEU OF TANKED WATER HEATER.

GYPSUM NOTES

AT GARAGE:
GYPSUM BOARD AT COMMON WALLS, CEILINGS, BEAM WRAPS AND SUPPORTS PER STANDARD DETAIL FA-1(b) FIRE ASSEMBLIES OR AS REQUIRED BY LOCAL CODE.

AT STAIRS:
1/2" GYPSUM BOARD AT UNDERSIDE OF STAIRS AND WALLS IN CLOSET

BASEMENT JACK SCHEDULE

IDENTIFIER	DESCRIPTION	ENG. NUM.	REMARKS

BASEMENT FLOOR PLAN
SCALE: 1/4" = 1'-0"

© NVR, Inc. expressly reserves the right to modify these plans without notice. These plans are not to be reproduced, changed or altered in any way without the written consent of NVR, Inc.

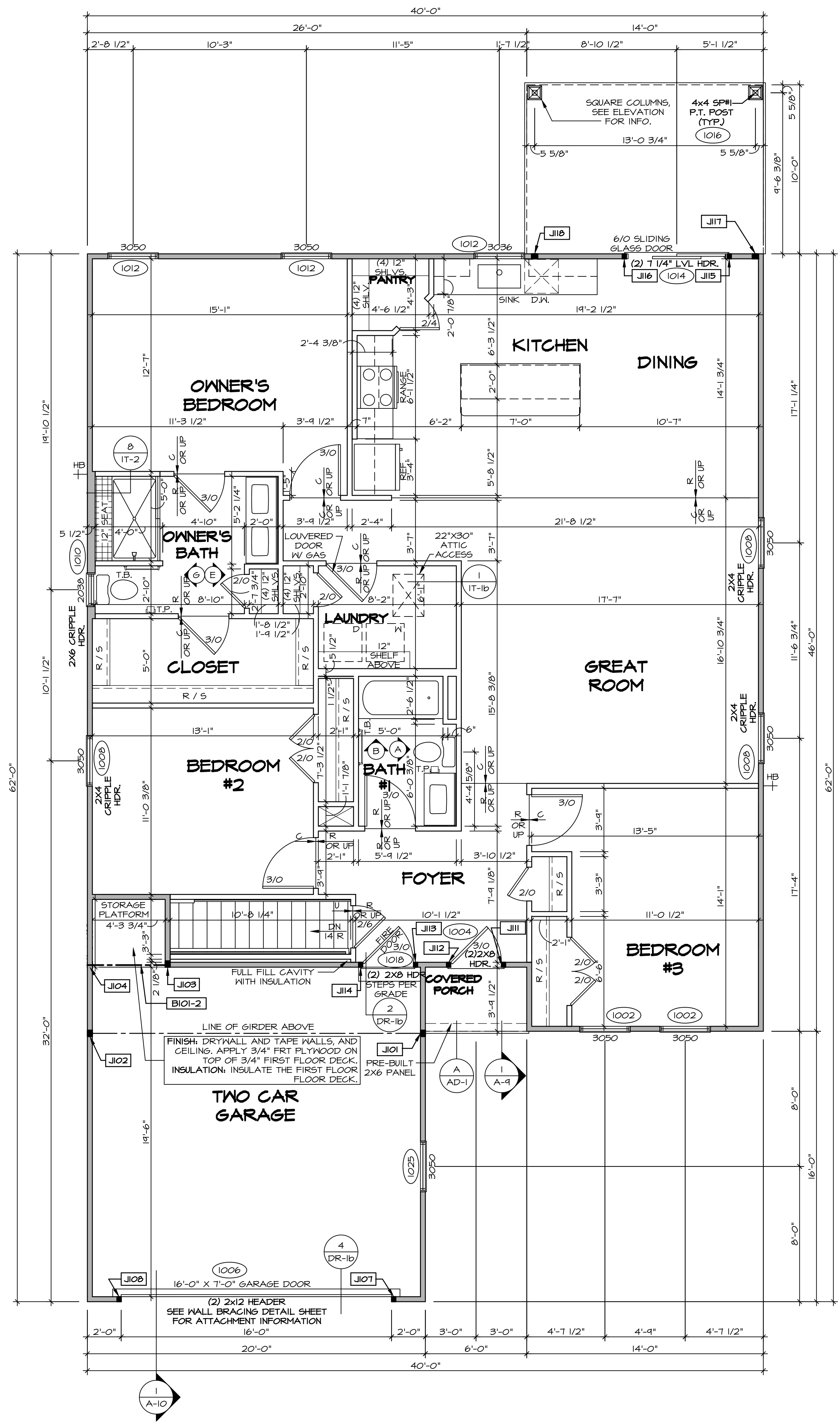
NVR, Inc. Suite 100
Frederick, MD 21703

5285 Westpark Drive, Suite 100
Frederick, MD 21703

C:\NVR\Solves\EDEN_GAY_EDC000_01\DCY-S3-0242\2467147\Sheets\Lot_Sheets\1_Sheet1.dwg 02/23/22 - 6:29 pm

SHEET NO.	A-6
MODEL	EDEN GAY
DRAWING TITLE	BASEMENT FLOOR PLAN
OPTION DESCRIPTION	OPTION
SET NO.	EDC000
VERSION	01
DRAWN BY	SGA
DATE:	OPTION

DIV-COMM-LOT-UNIT	DCY-S3-0242
COMM-LOT	5MAYERS MILL - LIFESTYLE - 0242
STREET ADDRESS	6618 CRYSTAL HARBOUR DR.
CITY	MIDDLETOWN
STATE	OH
ZIP	45042



FIRST FLOOR PLAN
SCALE: 1/4" = 1'-0"

LEGEND

- BEARING WALL
- - - NON BEARING WALL
- ⊗ INDICATES BEARING FROM POINT-LOAD ABOVE
- J JACKS
- B BEAM/HEADER
- F PAD FOOTINGS
- C STEEL COLUMN
- X TRUSS TIE DOWN
- X PORTAL FRAME
- X JOIST/TRUSS
- LVL LVL
- X ENGINEERING PAGE NUMBER

SEE FC DETAILS FOR FRAMING CONNECTORS

ALL WINDOWS HAVE 1'-0 1/2" HEADER HEIGHT UNLESS OTHERWISE NOTED

NOTE:
EXTERIOR WALLS DRAWN TO FRAMING WIDTH, EXTERIOR SHEATHING IS NOT INCLUDED IN WALL THICKNESS.

- FLOOR PLAN NOTES**
- ALL HEADERS ARE (2) 2x6 W/ 2x4 WALLS OR (3) 2x6 W/ 2x6 WALLS, UNLESS OTHERWISE NOTED.
 - ALL HEADERS TO HAVE (1) 2x4 OR 2x6 JACK AND KING STUD EACH END UNLESS OTHERWISE NOTED. MULTI-OPENING HEADERS TO HAVE (2) JACKS AT INTERMEDIATE BEARING, UNLESS OTHERWISE NOTED. NO ADDITIONAL FLOOR SYSTEM BLOCKING OR CONTINUOUS LOAD PATH JACKS ARE REQUIRED UNLESS OTHERWISE NOTED.
 - ALL EXTERIOR WALLS TO BE 4" W/ OSB OR 3 1/2" W/ LAMINATED FIBROUS STRUCTURAL SHEATHING. ALL INTERIOR WALLS TO BE 3 1/2" UNLESS OTHERWISE NOTED.
 - HATCHED AREAS INDICATE DROPPED CEILING. ALL DROPPED CEILING ARE 12" UNLESS OTHERWISE NOTED.
 - SEE "BRACED WALL PANEL DETAIL SHEET" FOR SPECIAL WALL FRAMING LOCATIONS AND HEADER SIZES, IF APPLICABLE.
 - SEE STANDARD DETAIL CATEGORY "IT" SHEET(S) FOR INTERIOR TRIM DETAILS.
 - SEE ARCHITECTURAL DETAIL SHEET "AD" FOR HOUSE SPECIFIC INTERIOR TRIM OPTION TABLE.
 - ALL HEADERS IN NON-BEARING WALLS SHALL BE A SINGLE FLAT 2x4 OR 2x6 ATTACHED TO CRIPPLES ABOVE UNLESS OTHERWISE NOTED.
 - TANKED WATER HEATER SHOWN AS BASE CONDITION, OPTIONAL TANKLESS WATER HEATER IS AVAILABLE IN LIEU OF TANKED WATER HEATER.

GYPHUM NOTES

AT GARAGE:
GYPSUM BOARD AT COMMON WALLS, CEILING, BEAM WRAPS AND SUPPORTS PER STANDARD DETAIL FA-1(b) FIRE ASSEMBLIES OR AS REQUIRED BY LOCAL CODE.

AT STAIRS:
1/2" GYPSUM BOARD AT UNDERSIDE OF STAIRS AND WALLS IN CLOSET

BASEMENT WITH 1-JOIST FLOOR SYSTEM ABOVE:
WITH OPTION "SG1" - DRYWALL UNFINISHED BASEMENT CEILING AREA

- NOTES:**
- 1/2" GYPSUM WALL BOARD REQUIRED ON CEILING IN UNFINISHED AREAS WHEN NO SPRINKLER SYSTEM IS INSTALLED.
 - A MAXIMUM AREA OF 80 SQ FT MAY BE OMITTED AS NEEDED FOR INSTALLATION OF PLUMBING, ELECTRICAL, AND/OR HVAC (TYPICALLY AN 8'-0"x8'-0" CEILING SPACE ABOVE MECHANICAL AREA).
 - PROVIDE FIRE BLOCKING AS REQUIRED AT PERIMETER OF ANY AREAS WHERE DRYWALL HAS BEEN OMITTED.

LVL PLY TO PLY FASTENING SCHEDULE: (WHERE APPLICABLE BASED ON LVL USAGE)

- 1A - (2) PLY UP TO AND INCLUDING 11 7/8" TALL; FASTEN PLYS W/ (2) ROWS 16D NAILS AT 12" O.C.
- 2A - (2) PLY 14" TO AND INCLUDING 18" TALL (INCLUSIVE); FASTEN PLYS W/ (3) ROWS 16D NAILS AT 12" O.C.
- 3A - (2) PLY 20" TALL AND OVER; FASTEN PLYS W/ (4) ROWS 16D NAILS AT 12" O.C.
- 4A - (3) PLY UP TO AND INCLUDING 11 7/8" TALL; FASTEN PLYS W/ (2) ROWS 16D NAILS AT 12" O.C. FROM EACH SIDE
- 5A - (3) PLY 14" TO AND INCLUDING 18" TALL (INCLUSIVE); FASTEN PLYS W/ (3) ROWS 16D NAILS AT 12" O.C. FROM EACH SIDE
- 6A - (3) PLY 20" TALL AND OVER; FASTEN PLYS W/ (4) ROWS 16D NAILS AT 12" O.C. FROM EACH SIDE
- 7A - (4) PLY (ALL SIZES); FASTEN PLYS W/ (2) ROWS 1/2" DIAMETER A307 BOLTS AT 24" O.C.

SEE SHOP DRAWING FOR ADDITIONAL INFORMATION.

FIELD INSTALLED FIRST FLOOR BEAM/HEADER SCHEDULE

IDENTIFIER	DESCRIPTION	LENGTH	ENG. NUM.	REMARKS
B101-2	BEAM BUILT 2X12 - 2 PLY	4'-10 3/4"	1020	

FIRST FLOOR JACK SCHEDULE

IDENTIFIER	DESCRIPTION	ENG. NUM.	REMARKS
J101	JACK - (3) 2X4 SFF STUD GRADE	1024	
J102	JACK - (3) 2X4 SFF STUD GRADE	1024	
J107	JACK - (2) 2X4 SFF STUD GRADE	1006	
J108	JACK - (2) 2X4 SFF STUD GRADE	1006	
J111	JACK - (2) 2X4 SFF STUD GRADE	1004	
J112	JACK - (2) 2X4 SFF STUD GRADE	1004	
J113	JACK - (2) 2X4 SFF STUD GRADE	1018	
J114	JACK - (2) 2X4 SFF STUD GRADE	1018	
J115	JACK - (2) 2X4 SFF STUD GRADE	1014	
J116	JACK - (2) 2X4 SFF STUD GRADE	1014	
J117	JACK - (3) 2X4 SFF STUD GRADE	1016	
J118	JACK - (3) 2X4 SFF STUD GRADE	1016	

MODEL: EDEN GAY
DRAWING TITLE: FIRST FLOOR PLAN
OPTION DESCRIPTION: 10

SET NO. EDC00
VERSION 01
DRAWN BY: SGA
DATE:
OPTION

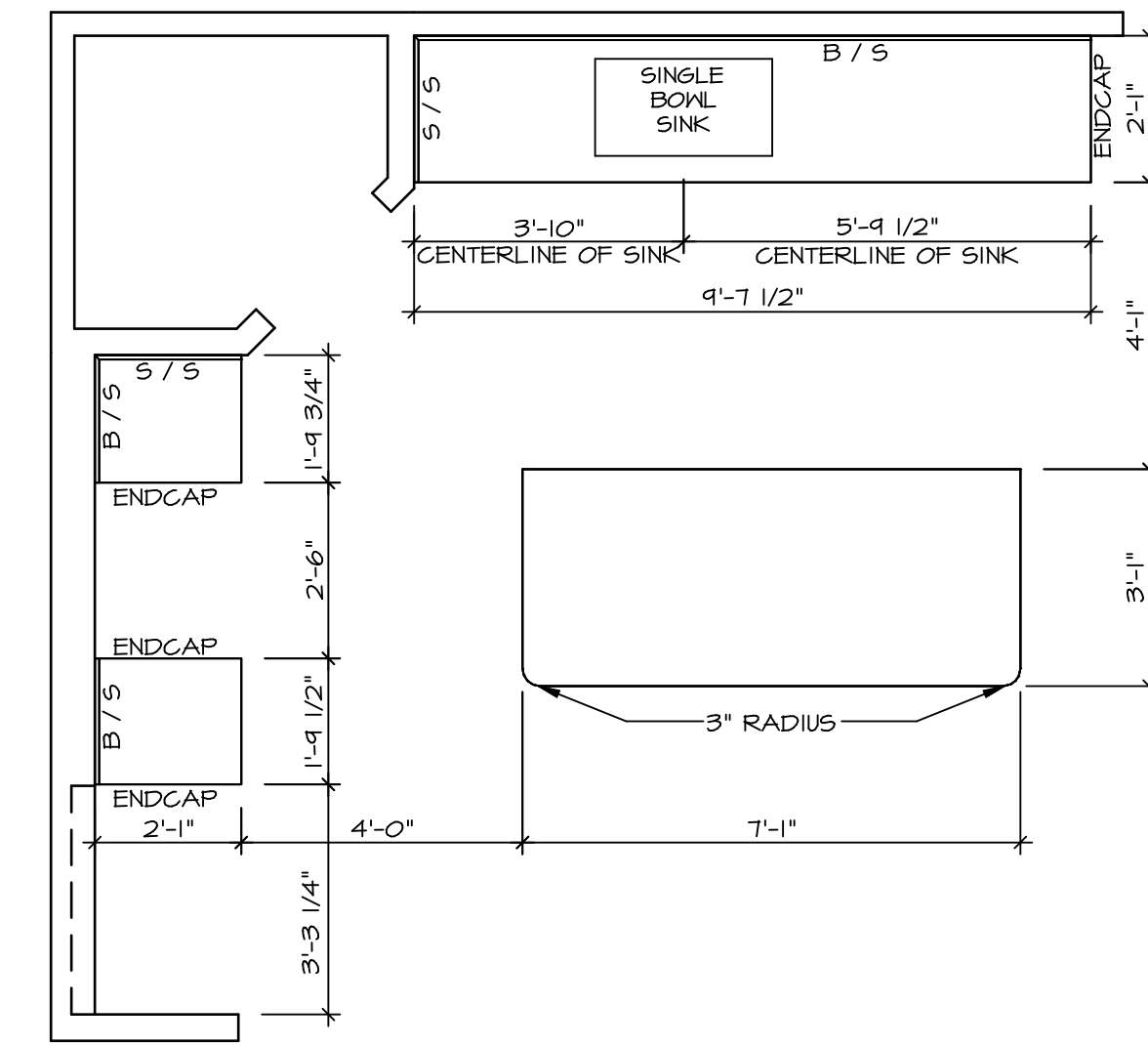
DCY-SB-0242
COMM-L0T
5AMTYS MILL - LIFESTYLE - 0242
STREET ADDRESS
6618 CRYSTAL HARBOUR DR.
CITY MIDDLETOWN STATE OH ZIP 45042

© NVR, Inc. expressly reserves the right to modify these plans without notice. These plans are not to be reproduced, changed or copied in any way without the written consent of NVR, Inc.

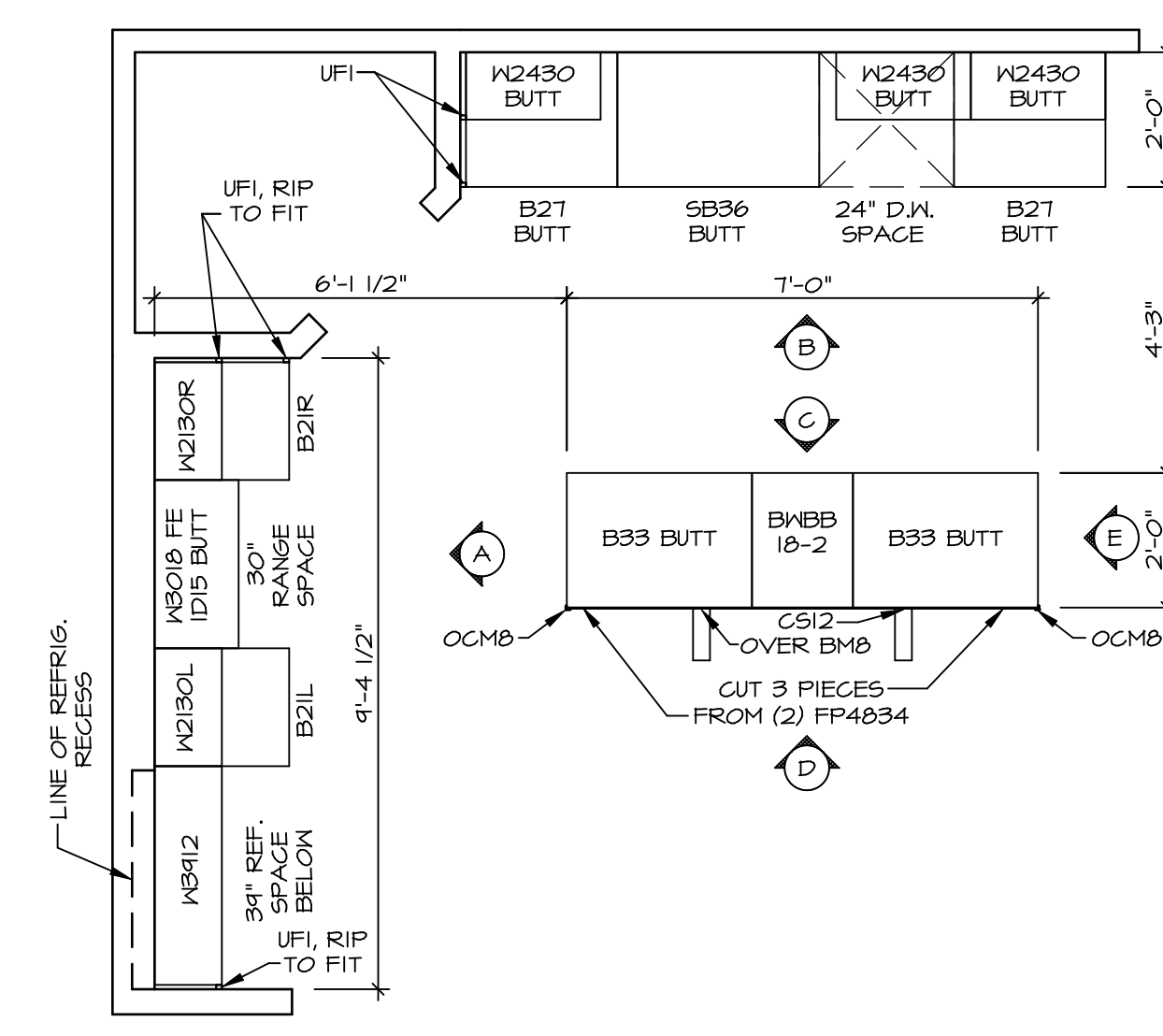
NVR
NVR, Inc. Suite 100
Freedricks, MD 21703
5285 Washington Blvd.
Freedricks, MD 21703

C:\NVR\Solves\EDEN_GAY_EDC00_01\DCY-SB-0242\2467147\Sheets\10 A-7 PLAN_L5.dwg 02/23/22 - 6:29 PM

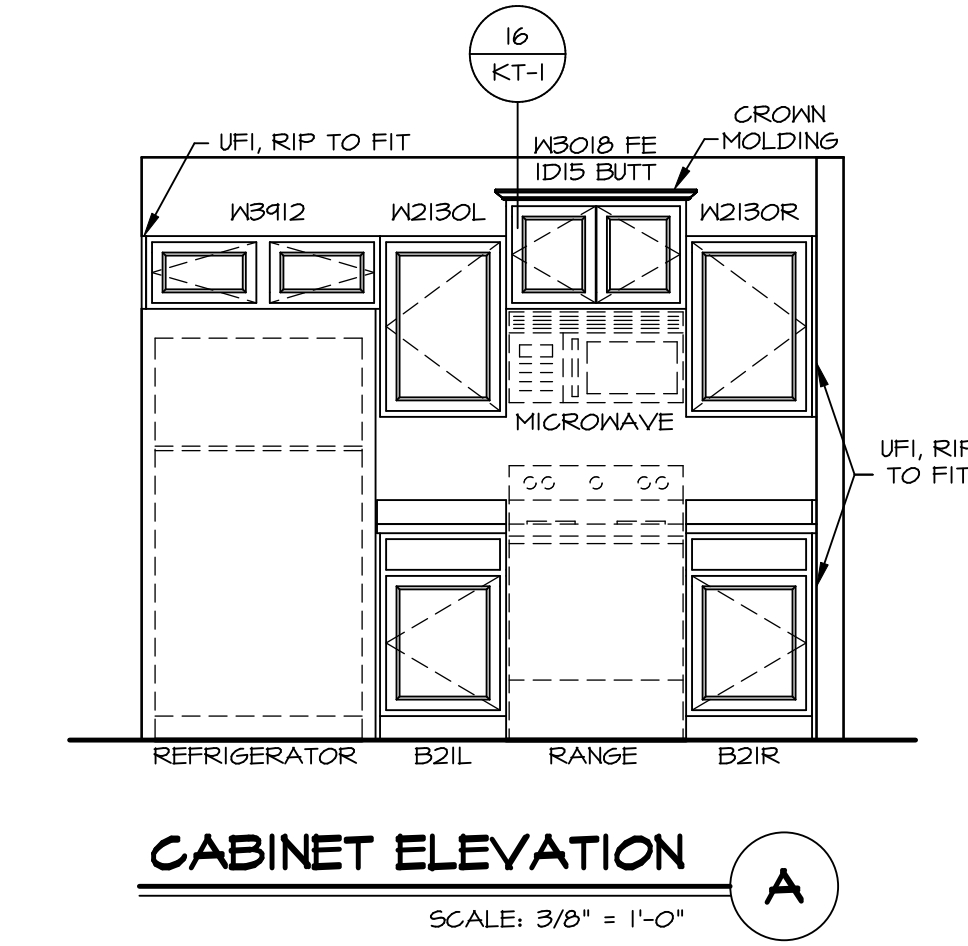
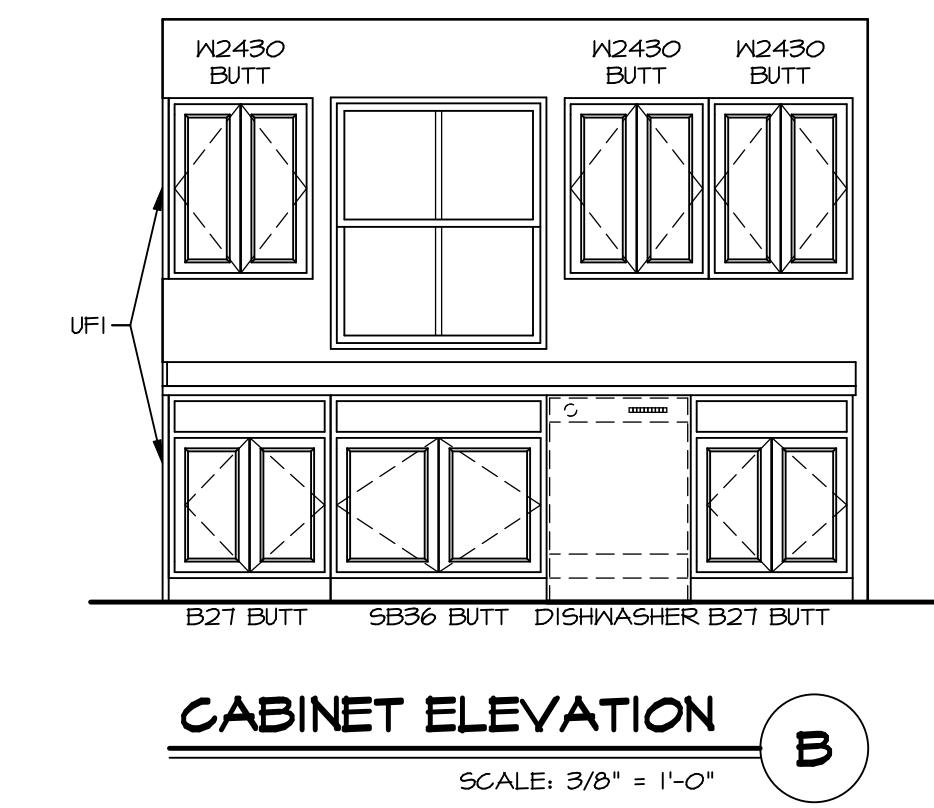
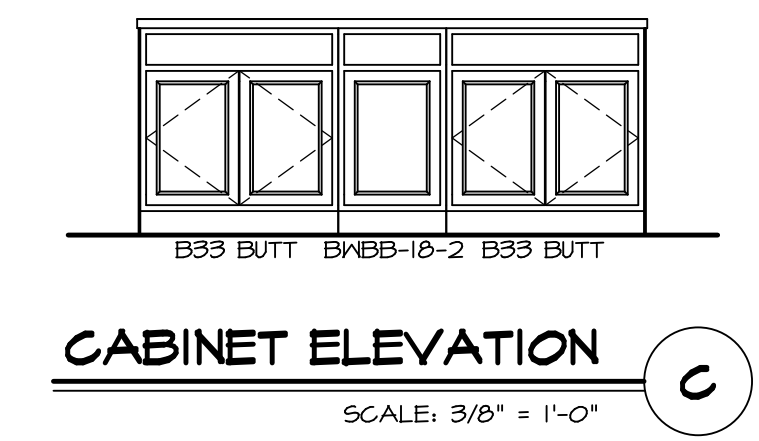
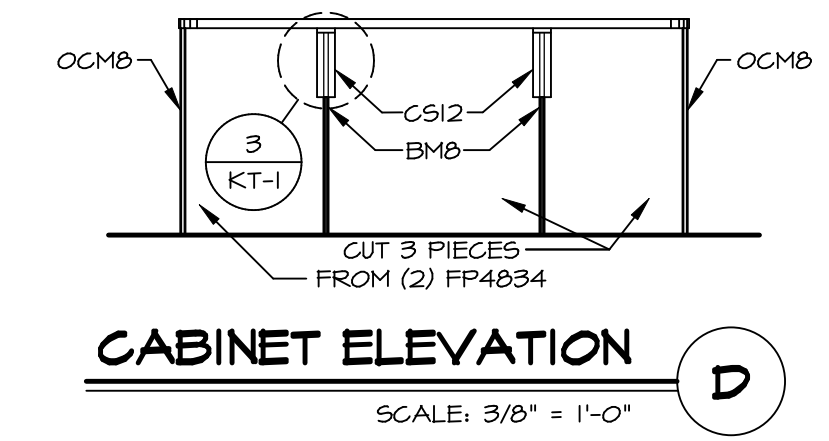
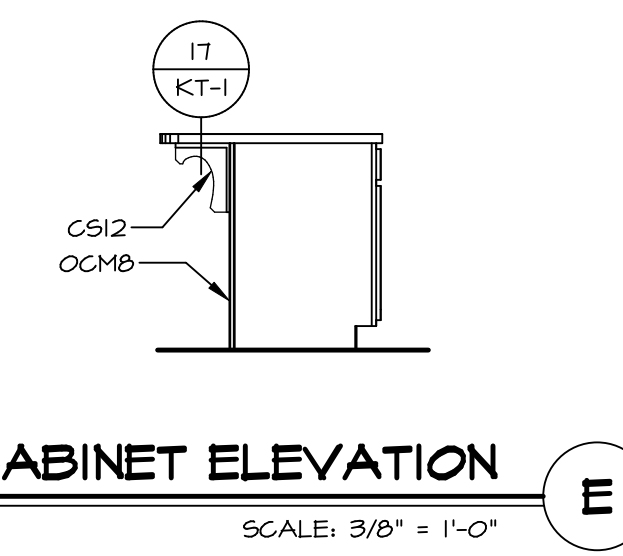
- NOTES:**
- CABINET LAYOUT (S) ARE BASED ON FINISHED DIMENSIONS TO DRYWALL.
 - IF KITCHEN PLANS/ELEVATIONS CALL-OUT STANDARD MOLDING, REFER TO STANDARD DETAIL (U/KT-1) FOR REPLACEMENT BASED ON CABINET STYLE.
 - ALL (UF#) FILLERS ARE TO BE "TRIM TO FIT" UNLESS OTHERWISE NOTED.
 - CABINET MUST BE SET, SHIMMED, LEVELED AND PLUMB W/ ADJOINING BASE CABINETS.
 - SET PRE-FINISHED SCRIBE MOLDING AT CABINET BULKHEADS AND AT ENDS (WHERE CABINETS MEET DRYWALL.) PRE-FINISHED SCRIBE HOLDING SHALL BE USED TO PAD OUT CABINET SIDES AT STILE FOR RETURN PIECES OF THE FACE-MOUNTED CABINET CROWN MOLDING.
 - HARDWARE INSTALL NOTE: KNOBS GO ON OPERABLE DOORS AND DRAWERS FOR ALL KITCHEN AND BATH AREAS, DRAWER FRONTS AND DOORS GET (1) KNOB/PULL, NO HARDWARE ON FALSE DRAWER FRONTS.



KITCHEN COUNTERTOP LAYOUT KC-3764 (2)
SCALE: 3/8" = 1'-0" A-12



KITCHEN CABINET LAYOUT KC-3764 (1)
SCALE: 3/8" = 1'-0" A-12



DIV-COMM-LOT-UNIT
DCY-S3-0242
COMM-LOT
SANTYERS MILL - LIFESTYLE - 0242
STREET ADDRESS
667B CRYSTAL HARBOUR DR.
CITY MIDDLETOWN STATE OH ZIP 45042

© NVR, Inc. All rights reserved. The user expressly reserves the right to modify, amend, change or terminate these plans at any time without notice. These plans are not to be reproduced, changed or copied in any way without the written consent of NVR, Inc.

NVR
NVR, Inc. Suite 100
5285 Westchase Lane
Frederick, MD 21703

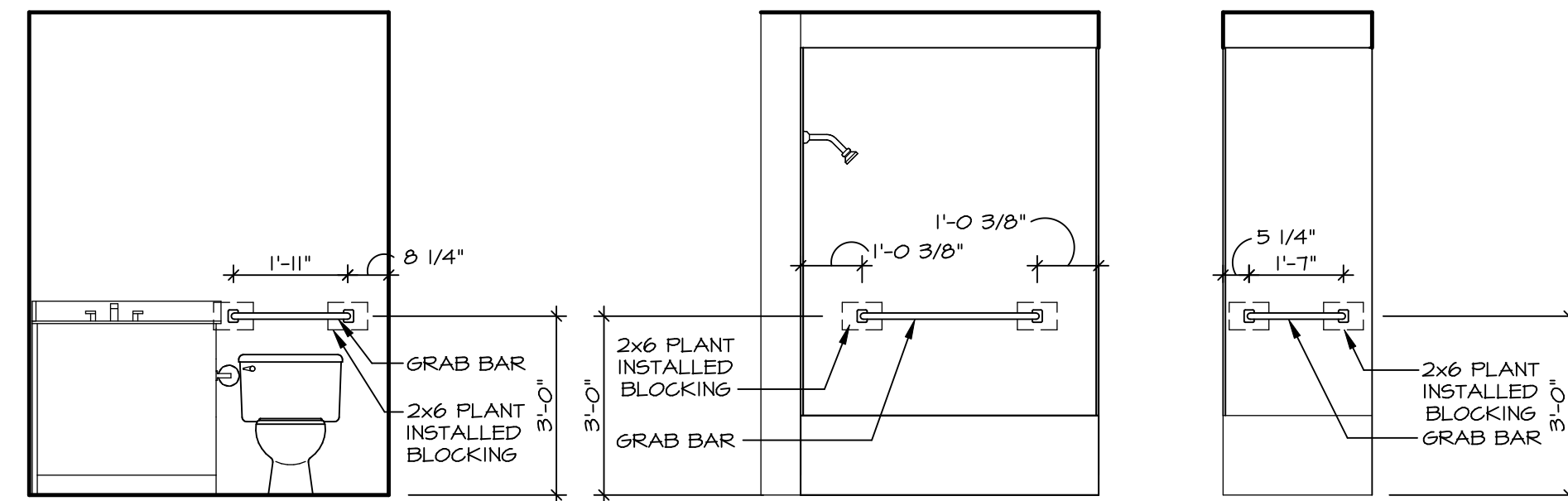
SET NO. EDC00
VERSION 01
DRAWN BY SGA
DATE:
OPTION

MODEL
EDEN GAY
DRAWING TITLE
KITCHEN PLAN
OPTION DESCRIPTION

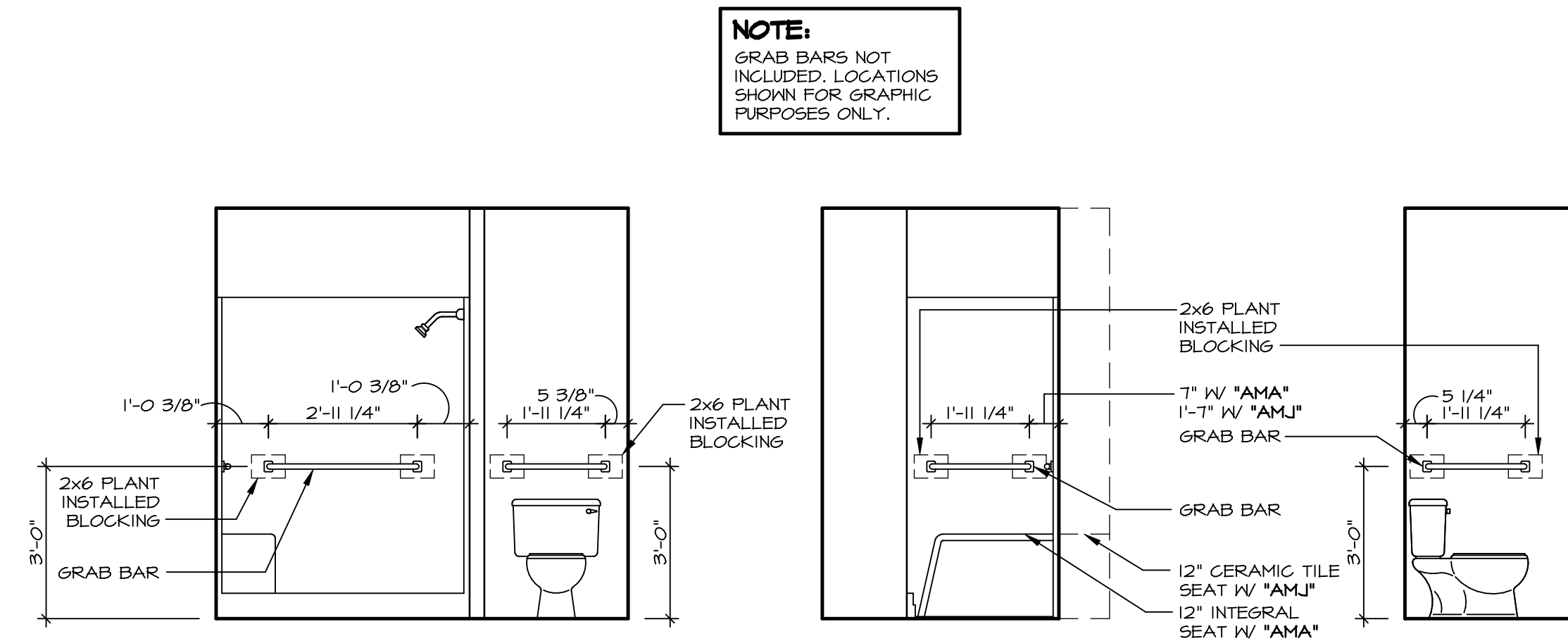
SHEET NO.
A-12
14

NOTES:

1. TEMPERED GLASS SHOWER ENCLOSURE WITH SWING DOOR OR OPTIONAL SLIDING DOOR BY DIVISION
2. TUB ACCESS PANELS PROVIDED AS NEEDED, ALL MATERIALS BY DIVISION
3. REFER TO SHEET IT-2 FOR TUB AND SHOWER DETAILS.
4. ALL VSDB24-42 DRAWERS TO BE SET ON RIGHT HAND.
5. BATH ELEVATIONS ARE SHOWN PER PLAN.

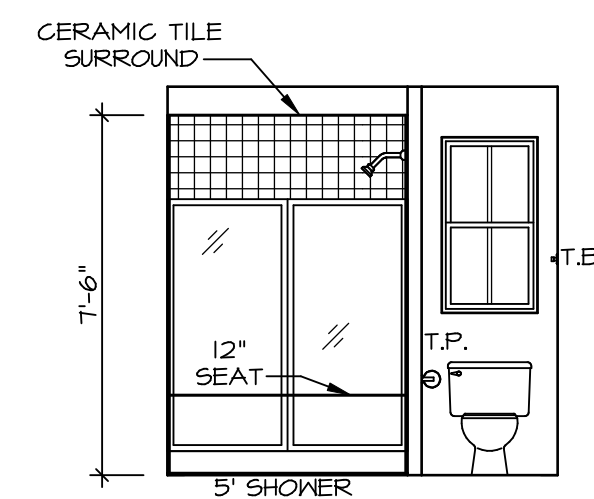


2 BATH #1 - BLOCKING DETAIL
SCALE: 3/8" = 1'-0"

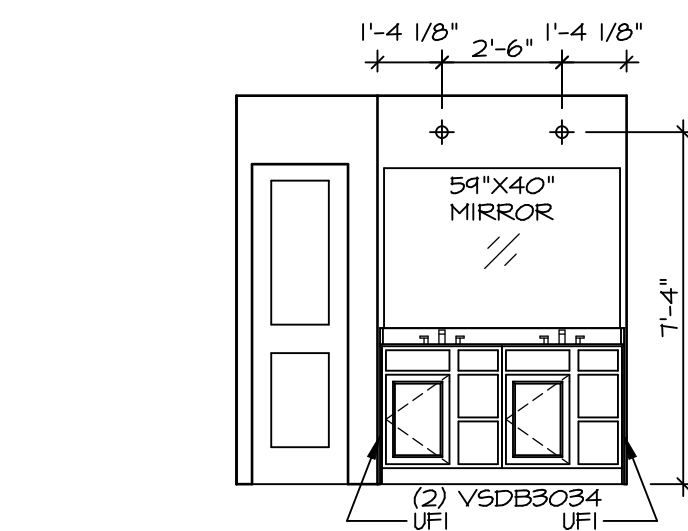


NOTE:
GRAB BARS NOT INCLUDED. LOCATIONS SHOWN FOR GRAPHIC PURPOSES ONLY.

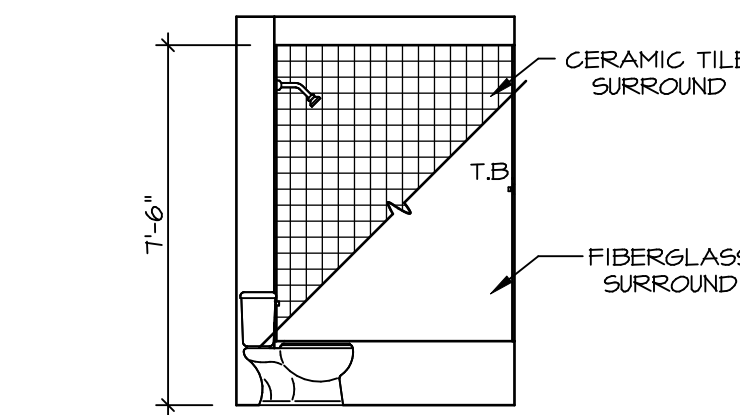
1 OWNER'S BATH - BLOCKING DETAIL
SCALE: 3/8" = 1'-0"



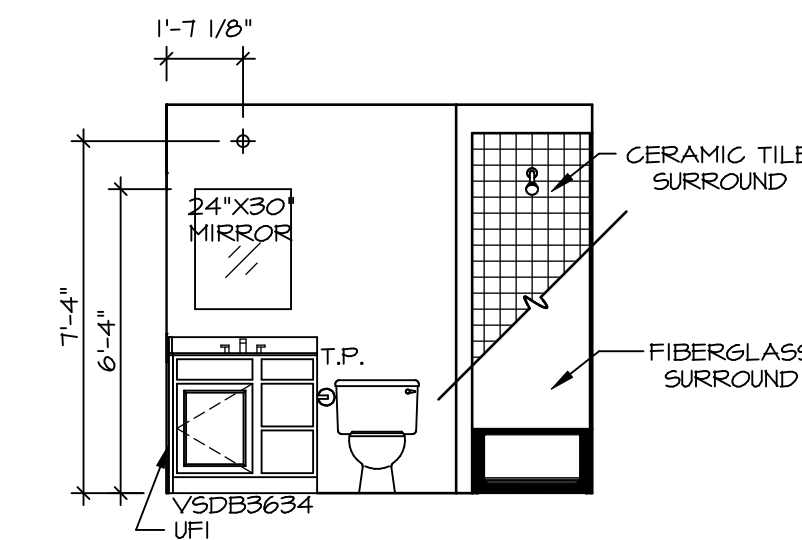
G OWNER'S BATH
SCALE: 1/4" = 1'-0"
OWNER'S BATHROOM SHOWER ALTERNATE LAYOUT 'AMJ'



E OWNER'S BATH
SCALE: 1/4" = 1'-0"



B BATH #1
SCALE: 1/4" = 1'-0"
BATHROOM #1 STANDARD TUB 'AAB'



A BATH #1
SCALE: 1/4" = 1'-0"
BATHROOM #1 STANDARD TUB 'AAB'

DIV-COMM-LOT-UNIT
DCY-S3-0242

COMM-LOT
5MAYERS MILL - LIFESTYLE - 0242

STREET ADDRESS
6618 CRYSTAL HARBOUR DR.

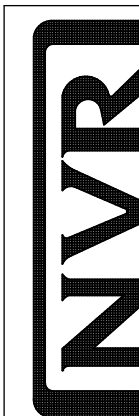
CITY
MIDDLETOWN

STATE
OH

ZIP
45042

APT. NO.

DATE
07/23/22



NVR, Inc., Suite 100
5285 Washburn Rd.
Frederick, MD 21703

SET NO. EDPCO
VERSION 01
DRAWN BY SGA
DATE:
OPTION

MODEL
EDEN CAY
DRAWING TITLE
BATH ELEVATIONS

SHEET NO.
A-13

OPTION DESCRIPTION

15