

1  
A-4 PLUMBING PLAN  
SCALE: 1/4" = 1'-0"

SHEET NO. <b>A-4</b>	MODEL <b>ARUBA BAY</b>	SET NO. <b>ABY00</b>
	DRAWING TITLE <b>PLUMBING PLAN</b>	VERSION <b>01</b>
	OPTION DESCRIPTION	DRAWN BY
<b>8</b>		DATE:
		OPTION



© NVR, Inc. NVR, Inc. expressly reserves the right to modify or amend these plans at any time without notice. These plans are not to be reproduced, changed or altered in any way without the written consent of NVR, Inc.

DIV-COMM-LOT-UNIT  
**DCY-S3-0243**  
COMM-LOT  
5MAYERS MILL - LIFESTYLE - 0243  
STREET ADDRESS  
6654 CRYSTAL HARBOUR DR.  
CITY MIDDLETOWN STATE OH ZIP 45042

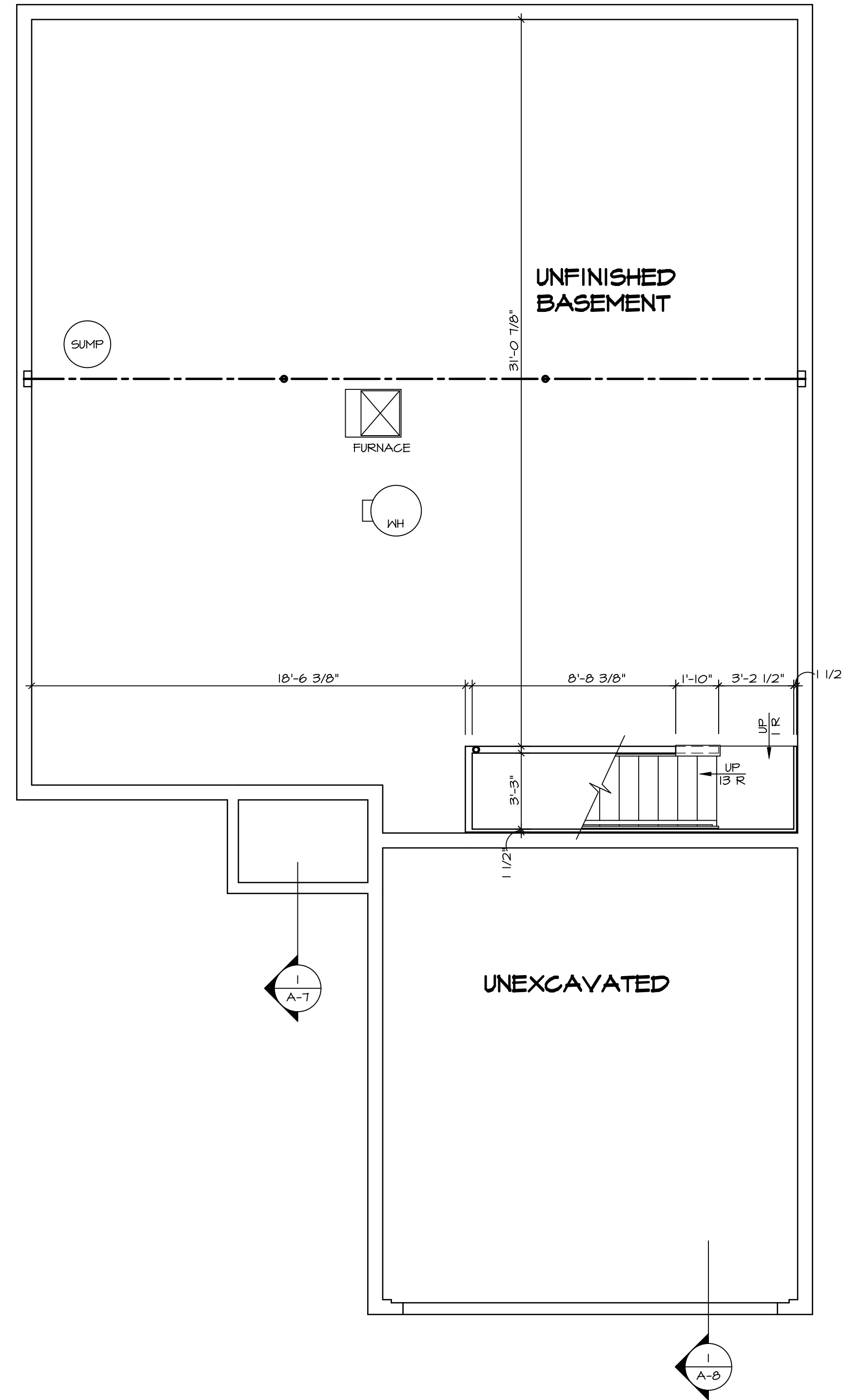
BASEMENT JACK SCHEDULE				
IDENTIFIER	DESCRIPTION	OPTIONS	ENG. NUM.	REMARKS

LEGEND	
	BEARING WALL
	NON BEARING WALL
	INDICATES BEARING FROM POINT-LOAD ABOVE JACKS
	BEAM/HEADER
	FAD FOOTING
	STEEL COLUMN
	TRUSS TIE DOWN
	PORTAL FRAME
	JOIST/TRUSS
	LVL
	ENGINEERING PAGE NUMBER

SEE FC DETAILS FOR FRAMING CONNECTORS

- FLOOR PLAN NOTES**
- ALL HEADERS ARE (2) 2x6 w/ 2x4 WALLS OR (3) 2x6 w/ 2x6 WALLS, UNLESS OTHERWISE NOTED.
  - ALL HEADERS TO HAVE (1) 2x4 OR 2x6 JACK AND KING STUD EACH END, UNLESS OTHERWISE NOTED. MULTI-OPENING HEADERS TO HAVE (2) JACKS AT INTERMEDIATE BEARING, UNLESS OTHERWISE NOTED. NO ADDITIONAL FLOOR SYSTEM BLOCKING OR CONTINUOUS LOAD PATH JACKS ARE REQUIRED UNLESS OTHERWISE NOTED.
  - ALL EXTERIOR WALLS TO BE 4" w/ OSB OR 3 1/2" w/ LAMINATED FIBROUS STRUCTURAL SHEATHING, ALL INTERIOR WALLS TO BE 3 1/2", UNLESS OTHERWISE NOTED.
  - HATCHED AREAS INDICATE DROPPED CEILING. ALL DROPPED CEILING ARE 12" UNLESS OTHERWISE NOTED. SEE "BRACED WALL PANEL DETAIL SHEET" FOR SPECIAL WALL FRAMING LOCATIONS AND HEADER SIZES, IF APPLICABLE.
  - SEE STANDARD DETAIL CATEGORY "IT" SHEET(S) FOR INTERIOR TRIM DETAILS.
  - SEE ARCHITECTURAL DETAIL SHEET "AD" FOR HOUSE SPECIFIC INTERIOR TRIM OPTION TABLE.
  - ALL HEADERS IN NON-BEARING WALLS SHALL BE A SINGLE FLAT 2x4 OR 2x6 ATTACHED TO CRIPPLES ABOVE, UNLESS OTHERWISE NOTED.
  - TANKED WATER HEATER SHOWN AS BASE CONDITION. OPTIONAL TANKLESS WATER HEATER IS AVAILABLE IN LIEU OF TANKED WATER HEATER.

- GYPSUM NOTES**
- AT GARAGE:  
GYPSUM BOARD AT COMMON WALLS, CEILING, BEAM WRAPS AND SUPPORTS PER STANDARD DETAIL FA-1(b) FIRE ASSEMBLIES OR AS REQUIRED BY LOCAL CODE.
- AT STAIRS:  
1/2" GYPSUM BOARD AT UNDERSIDE OF STAIRS AND WALLS IN CLOSET



**BASEMENT FLOOR PLAN**  
SCALE: 1/4" = 1'-0"

SHEET NO. <b>A-5</b>	MODEL <b>ARUBA BAY</b>	SET NO. ABY00
	DRAWING TITLE <b>BASEMENT FLOOR PLAN</b>	VERSION 01
OPTION DESCRIPTION <b>9</b>	DRAWN BY	DATE:
	OPTION	

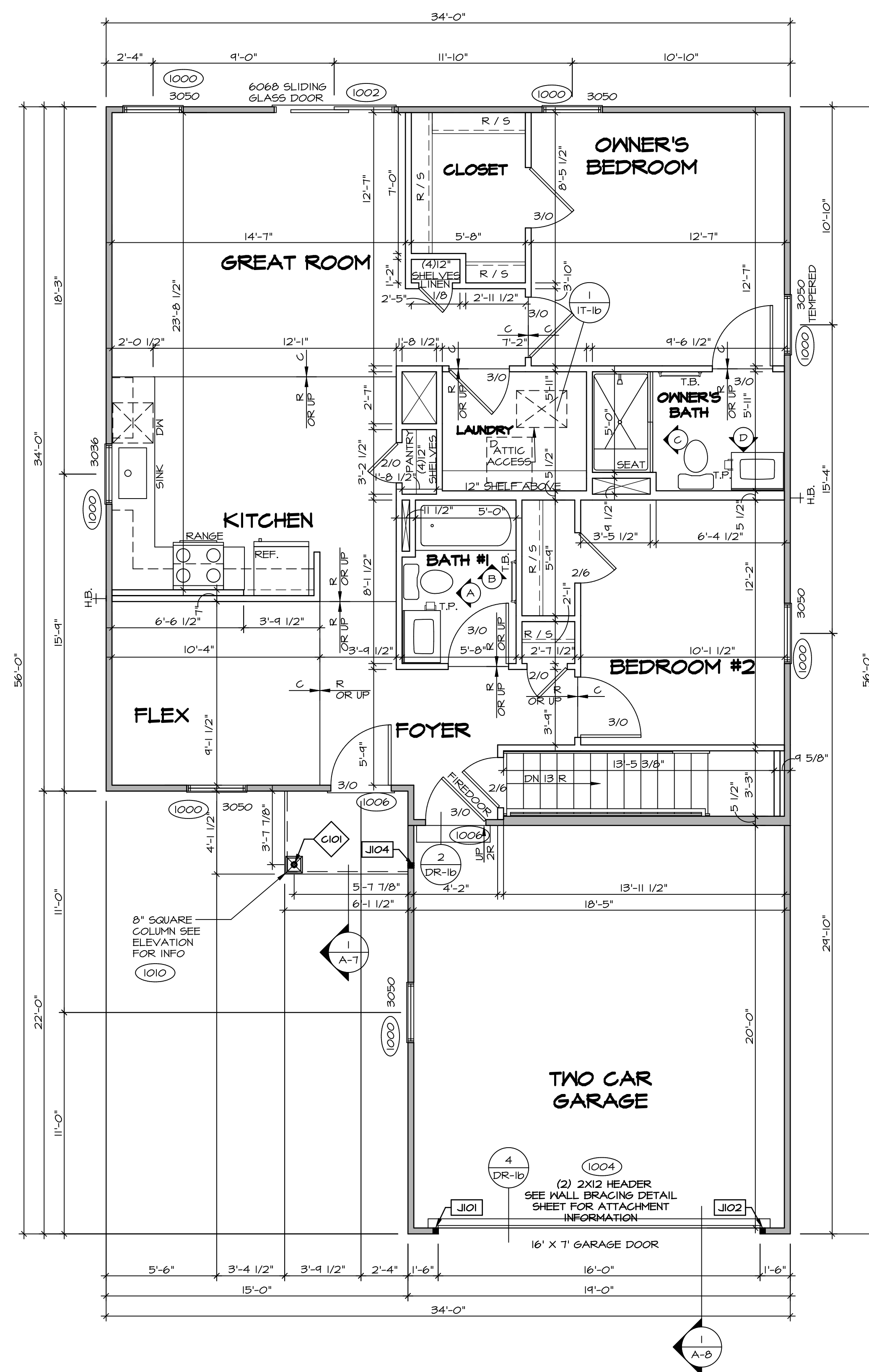
DIV-COMM-LOT-UNIT <b>DCY-S3-0243</b>	
COMM-LOT	SAVYERS MILL - LIFESTYLE - 0243
STREET ADDRESS	6654 CRYSTAL HARBOUR DR.
CITY	MIDDLETOWN
STATE	OH
ZIP	45042

© NVR, Inc. expressly reserves the right to modify these plans without notice. These plans are not to be reproduced, changed or altered in any way without the written consent of NVR, Inc.

**NVR**  
NVR, Inc. Suite 100  
Frederick, MD 21703  
5285 Westminister Road  
Frederick, MD 21703

C:\NVR\Solves\ARUBA\_BAY\_A5-0243\35267A\_SheetA Lot\_Specific 9 A-5 BSMF\_L5.dwg 08/25/21 - 4:37 pm



**FIRST FLOOR PLAN**  
SCALE: 1/4" = 1'-0"

**LEGEND**

- BEARING WALL
- - - NON BEARING WALL
- ⊗ INDICATES BEARING FROM POINT-LOAD ABOVE
- J JACKS
- B BEAM/HEADER
- F PAD FOOTING
- C STEEL COLUMN
- X TRUSS TIE DOWN
- X PORTAL FRAME
- X JOIST/TRUSS
- L LVL
- X ENGINEERING PAGE NUMBER

SEE FC DETAILS FOR FRAMING CONNECTORS

- FLOOR PLAN NOTES** RYAN
- ALL HEADERS ARE (2) 2x6 w/ 2x4 WALLS OR (3) 2x6 w/ 2x6 WALLS, UNLESS OTHERWISE NOTED.
  - ALL HEADERS TO HAVE (1) 2x4 OR 2x6 JACK AND KING STUD EACH END, UNLESS OTHERWISE NOTED.
  - ALL EXTERIOR WALLS TO BE 4" w/ OSB OR 3 1/2" w/ LAMINATED FIBROUS STRUCTURAL SHEATHING, ALL INTERIOR WALLS TO BE 5 1/2" UNLESS OTHERWISE NOTED.
  - HATCHED AREAS INDICATE DROPPED CEILING. ALL DROPPED CEILING ARE 12" UNLESS OTHERWISE NOTED.
  - SEE "BRACED WALL PANEL DETAIL SHEET" FOR SPECIAL WALL FRAMING LOCATIONS AND HEADER SIZES, IF APPLICABLE.
  - SEE STANDARD DETAIL CATEGORY "IT" SHEET(S) FOR INTERIOR TRIM DETAILS.
  - SEE ARCHITECTURAL DETAIL SHEET "AD" FOR HOUSE SPECIFIC INTERIOR TRIM OPTION TABLE.
  - ALL WINDOWS HAVE 1'-0 1/2" HEADER HEIGHT UNLESS OTHERWISE NOTED.
  - ALL HEADERS IN NON-BEARING WALLS SHALL BE A SINGLE FLAT 2x4 OR 2x6 ATTACHED TO CRIPPLES ABOVE, UNLESS OTHERWISE NOTED.
  - TANKED WATER HEATER SHOWN AS BASE CONDITION, OPTIONAL TANKLESS WATER HEATER IS AVAILABLE IN LIEU OF TANKED WATER HEATER.

- GYPSUM NOTES**
- AT GARAGE:  
GYPSUM BOARD AT COMMON WALLS, CEILING, BEAM WRAPS AND SUPPORTS PER STANDARD DETAIL FA-1(b) FIRE ASSEMBLIES OR AS REQUIRED BY LOCAL CODE.
- AT STAIRS:  
1/2" GYPSUM BOARD AT UNDERSIDE OF STAIRS AND WALLS IN CLOSET

**FIRST FLOOR JACK SCHEDULE**

IDENTIFIER	DESCRIPTION	OPTIONS	ENG. NUM.	REMARKS
J101	JACK - (2) 2X4 SPF STUD GRADE		1004	
J102	JACK - (2) 2X4 SPF STUD GRADE		1004	
J104	JACK - (2) 2X4 SPF STUD GRADE	ELK	1010	

**STEEL COLUMN SCHEDULE**

IDENTIFIER	STYLE	HEIGHT	ENG. NUM.	REMARKS
C101	STANCHION PORCH - 3 IN DIA 116A ADJ	8'-0 5/8"	1011	

MODEL: ARUBA BAY  
DRAWING TITLE: FIRST FLOOR PLAN  
OPTION DESCRIPTION: A-6

SET NO. A-6  
VERSION: 01  
DRAWN BY:  
DATE:  
OPTION:

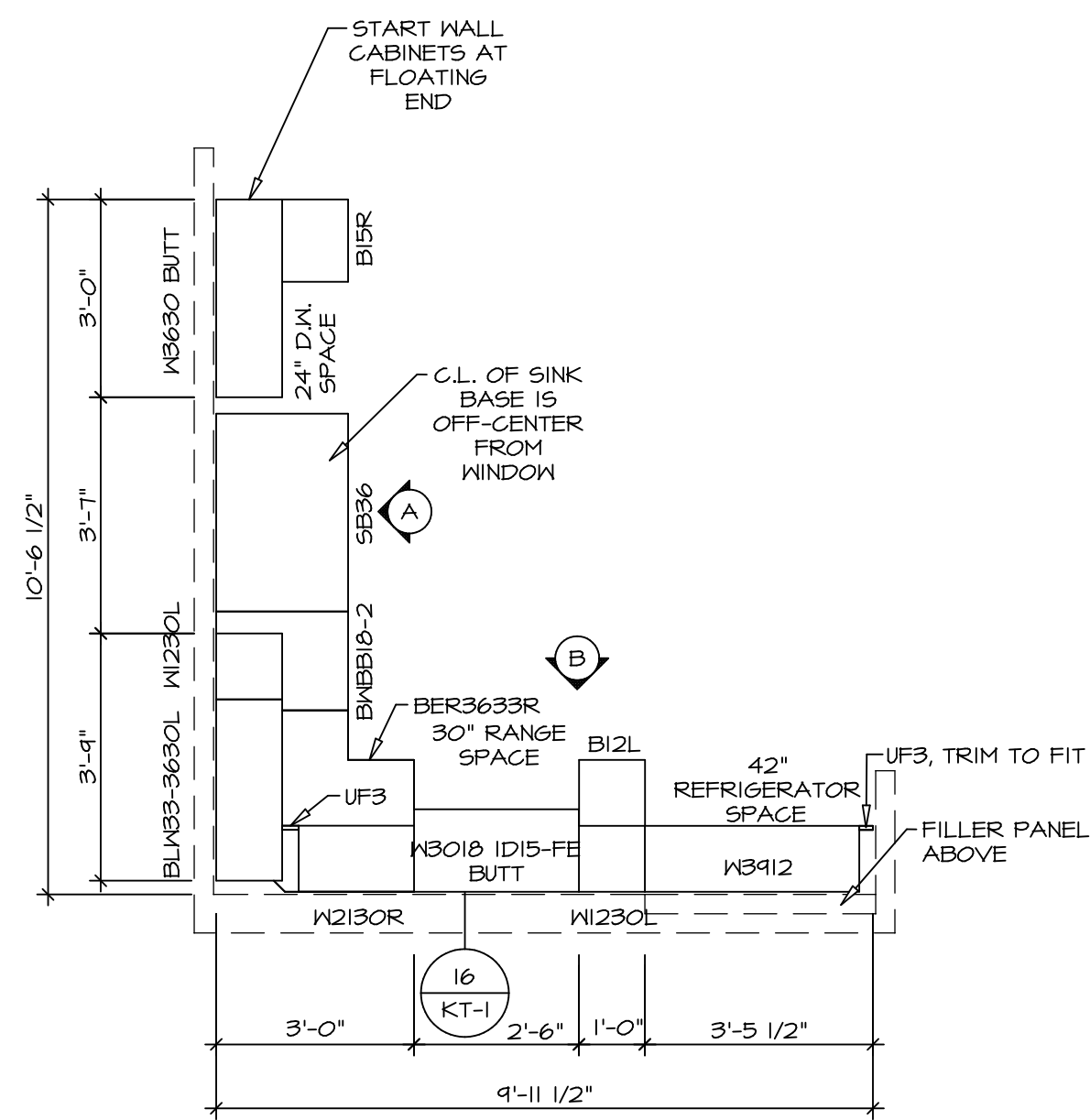
SHEET NO. 10

DCY-S3-0243  
COMM-L0T  
5AMYMERS MILL - LIFESTYLE - 0243  
STREET ADDRESS: 6654 CRYSTAL HARBOUR DR.  
CITY: MIDDLETOWN  
STATE: OH  
ZIP: 45042

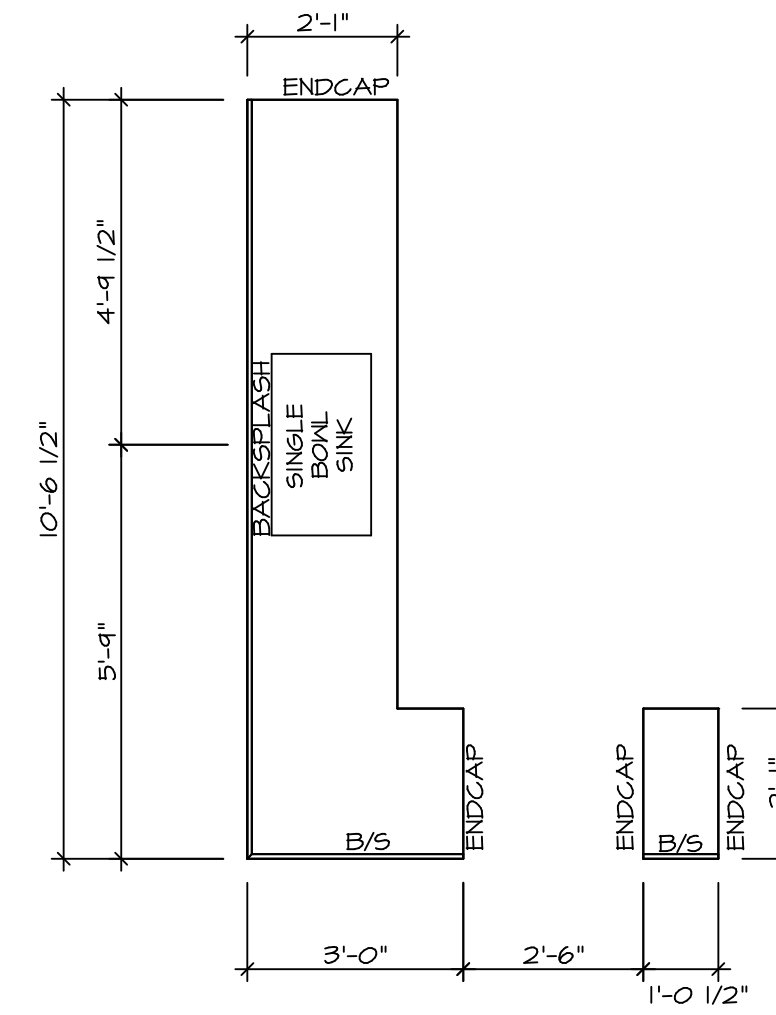
© NVR, Inc. expressly reserves the right to modify or change these plans without notice. These plans are not to be reproduced, changed or copied in any way without the written consent of NVR, Inc.

**NVR**  
NVR, Inc. Suite 100  
Frederick, MD 21703

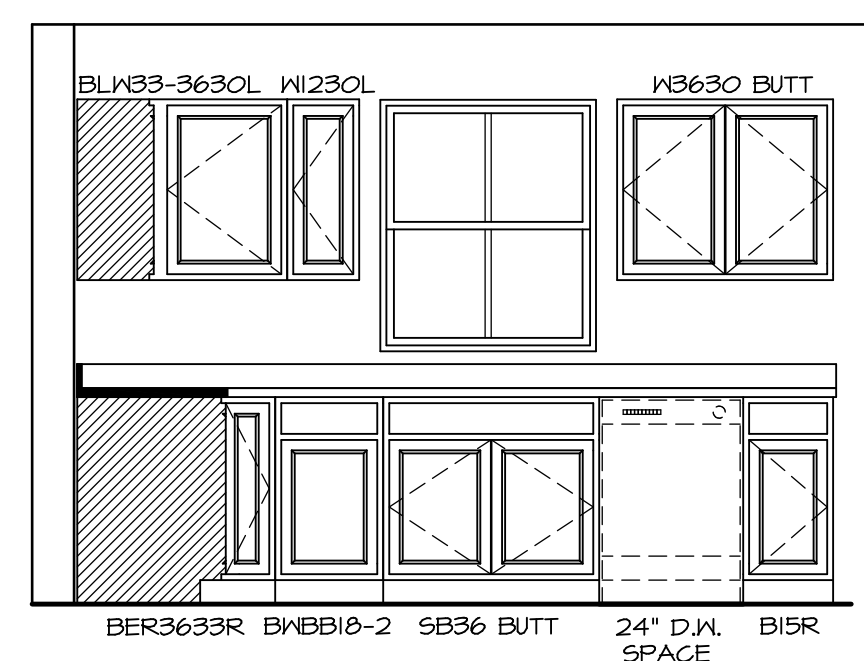
C:\NVR\Solves\ARUBA\_BAY\_A-6\00\_01\DCY-S3-0243\30267A\SheetA Lot\_Specific\10\_A-6\_PLN1\_LS.dwg 08/25/21 - 4:37 am



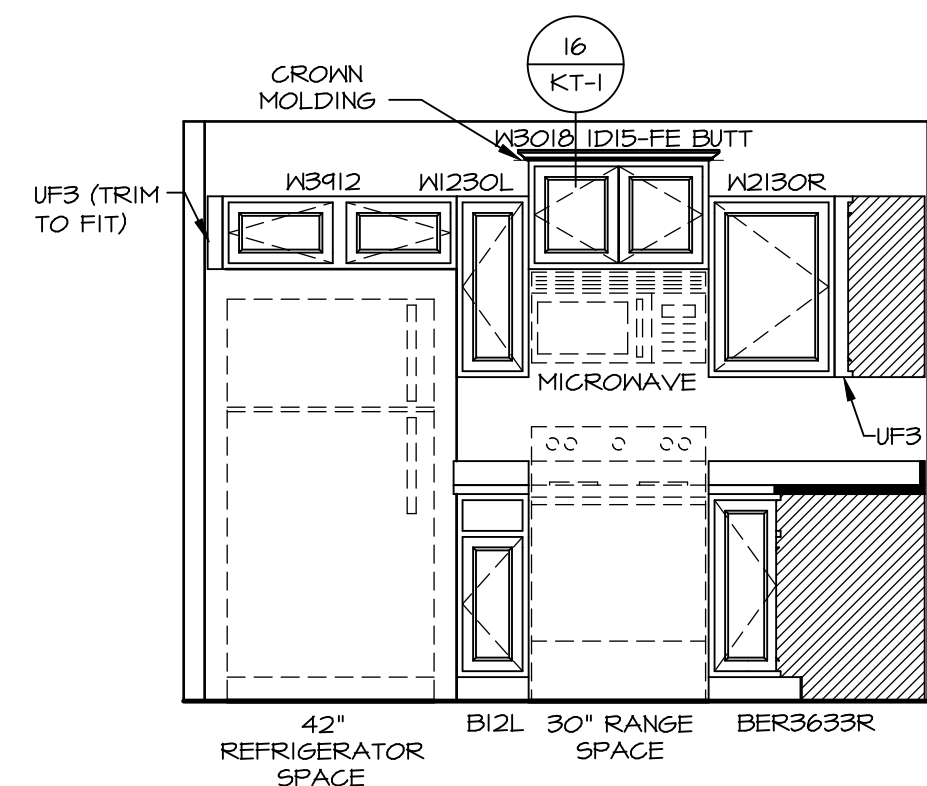
1 KITCHEN CABINET PLAN KC-3771  
A-10 SCALE: 3/8" = 1'-0"



3 KITCHEN COUNTERTOP PLAN KC-3771  
A-10 SCALE: 3/8" = 1'-0"



A KITCHEN ELEVATION  
SCALE: 3/8" = 1'-0"



B KITCHEN ELEVATION  
SCALE: 3/8" = 1'-0"

- NOTES:
- CABINET LAYOUT (S) ARE BASED ON FINISHED DIMENSIONS TO DRYWALL.
  - IF KITCHEN PLANS/ELEVATIONS CALL-OUT STANDARD MOLDING, REFER TO STANDARD DETAIL (11KT-1) FOR REPLACEMENT BASED ON CABINET STYLE.
  - ALL (UF) FILLERS ARE TO BE "TRIM TO FIT" UNLESS OTHERWISE NOTED.
  - CABINET MUST BE SET, SHIMMED, LEVELED AND PLUMB W/ ADJOINING BASE CABINETS.
  - SET PRE-FINISHED SCRIBE MOLDING AT CABINET BULKHEADS AND AT ENDS (WHERE CABINETS MEET DRYWALL). PRE-FINISHED SCRIBE MOLDING SHALL BE USED TO PAD OUT CABINET SIDES AT STILE FOR RETURN PIECES OF THE FACE-MOUNTED CABINET CROWN MOLDING.
  - HARDWARE INSTALL NOTE: KNOBS GO ON OPERABLE DOORS AND DRAWERS FOR ALL KITCHEN AND BATH AREAS. DRAWER FRONTS AND DOORS GET (1) KNOB/PULL. NO HARDWARE ON FALSE DRAWER FRONTS.

NOTE: CABINET LAYOUT(S) ARE BASED ON FINISHED DIMENSION TO DRYWALL.

SHEET NO. A-10  
MODEL ARUBA BAY  
DRAWING TITLE KITCHEN PLAN  
OPTION DESCRIPTION

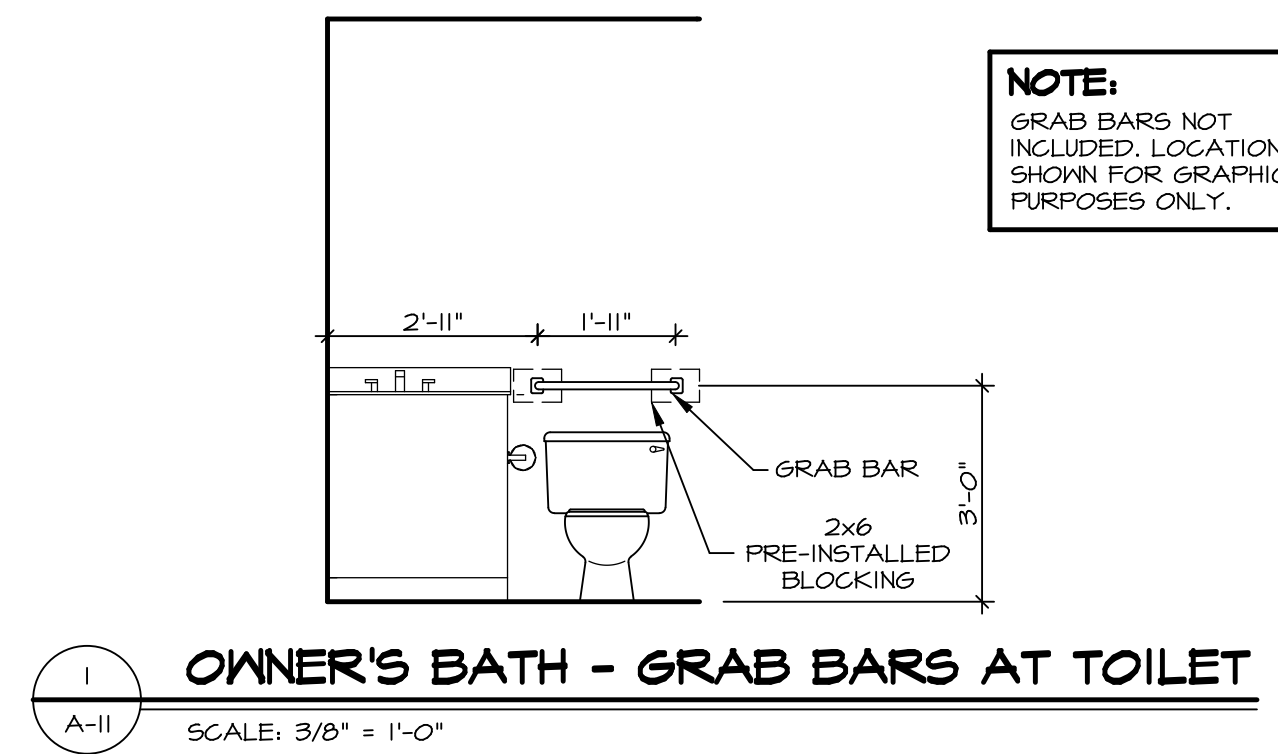
NVR  
NVR, Inc. Suite 100  
Frederick, MD 21703

© NVR, Inc. expressly reserves the right to modify these plans without notice. These plans are not to be reproduced, changed or altered in any way without the written consent of NVR, Inc.

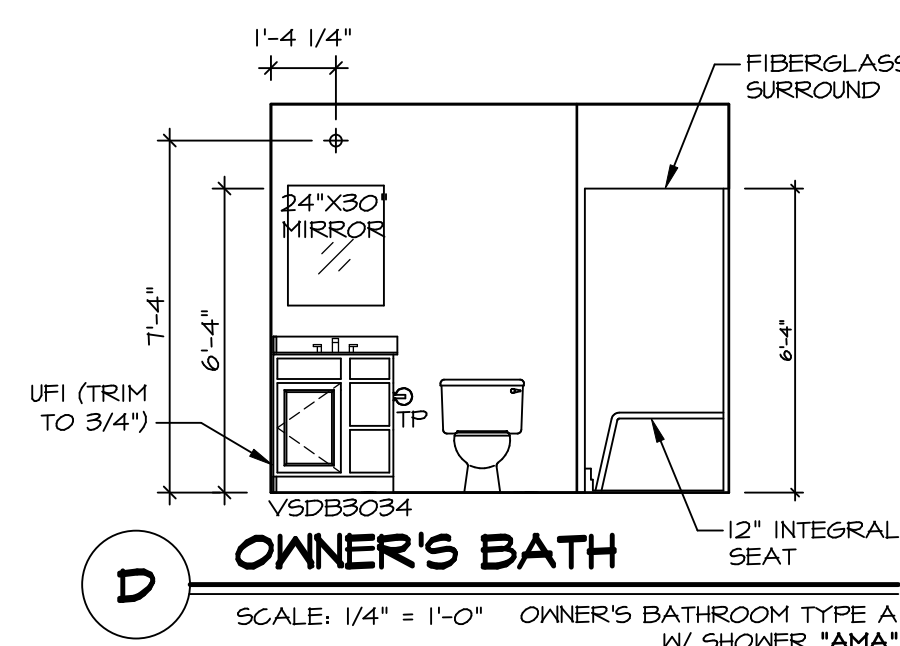
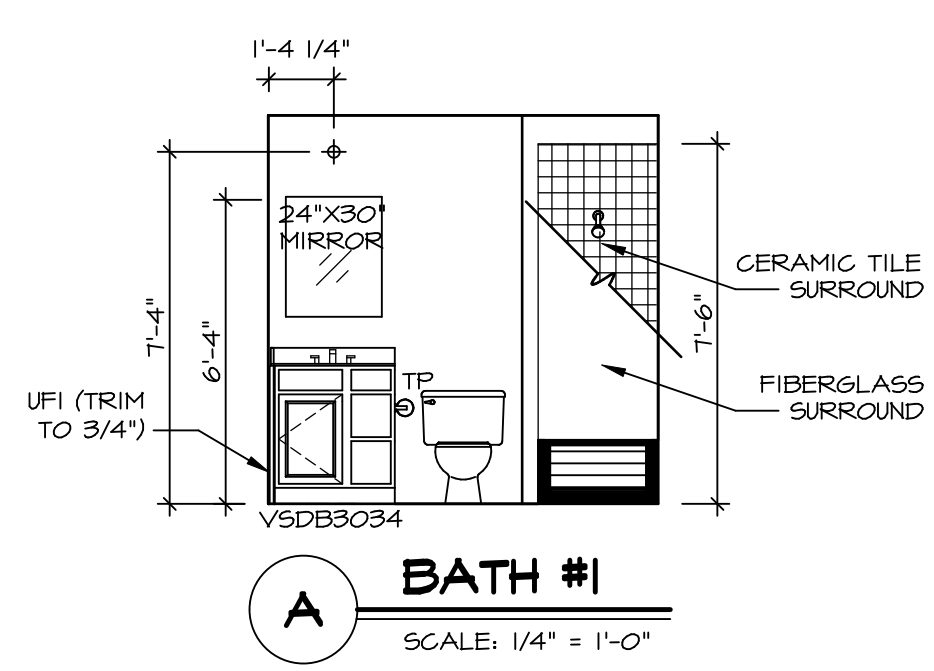
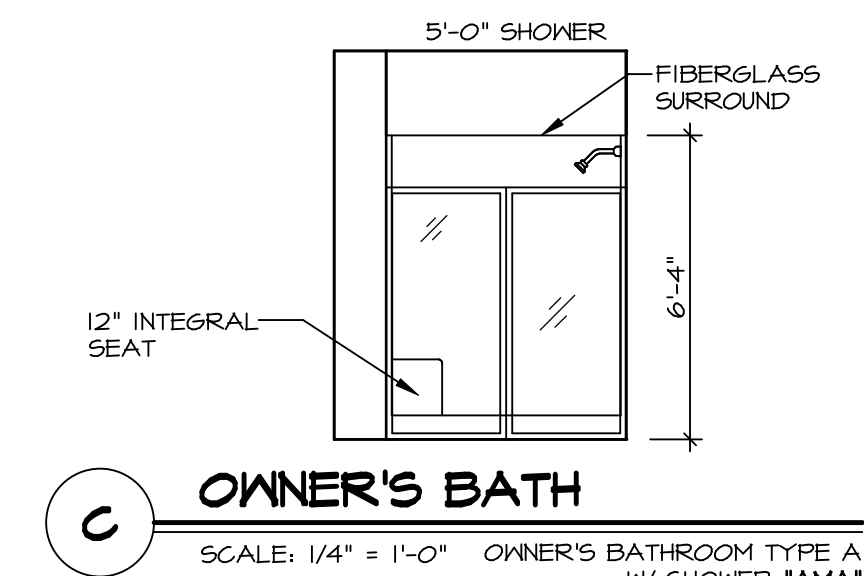
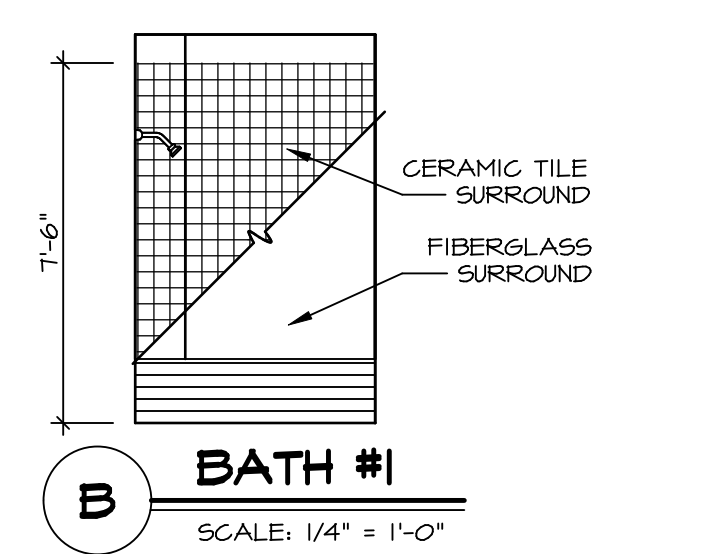
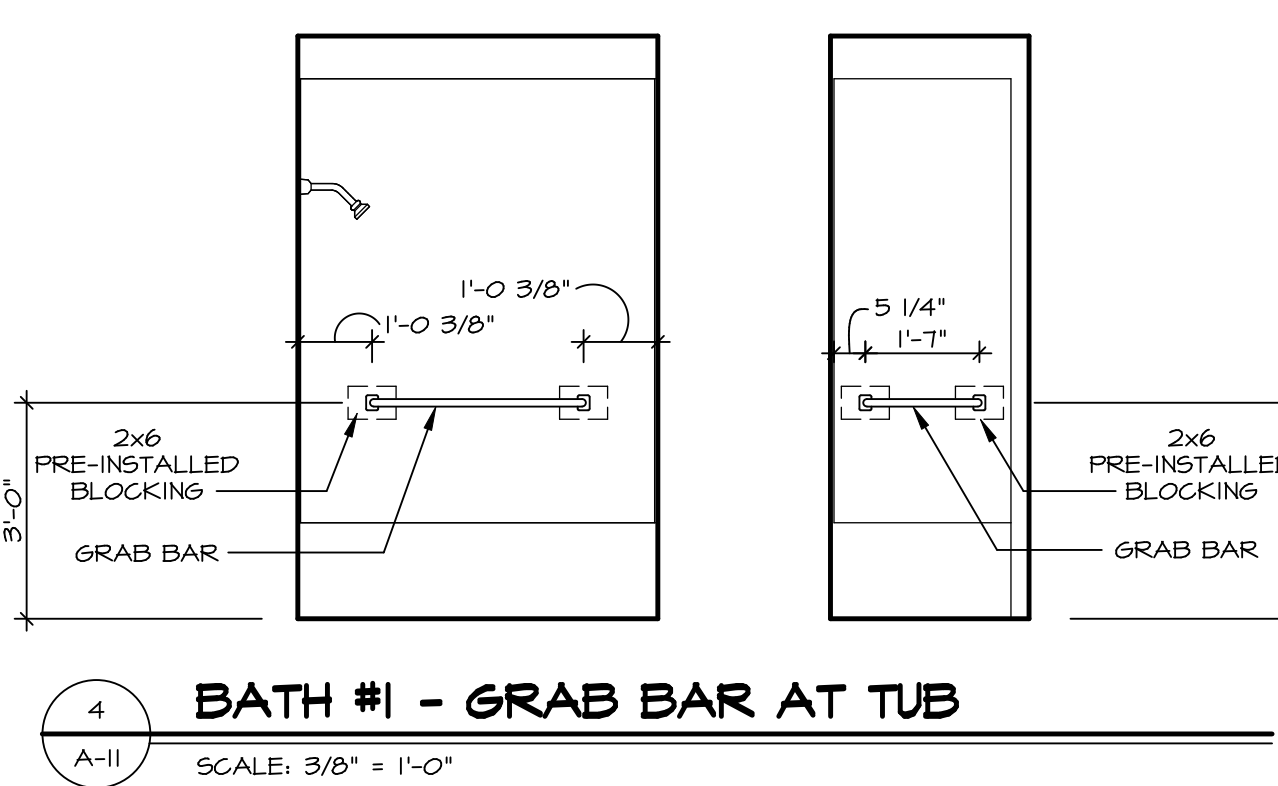
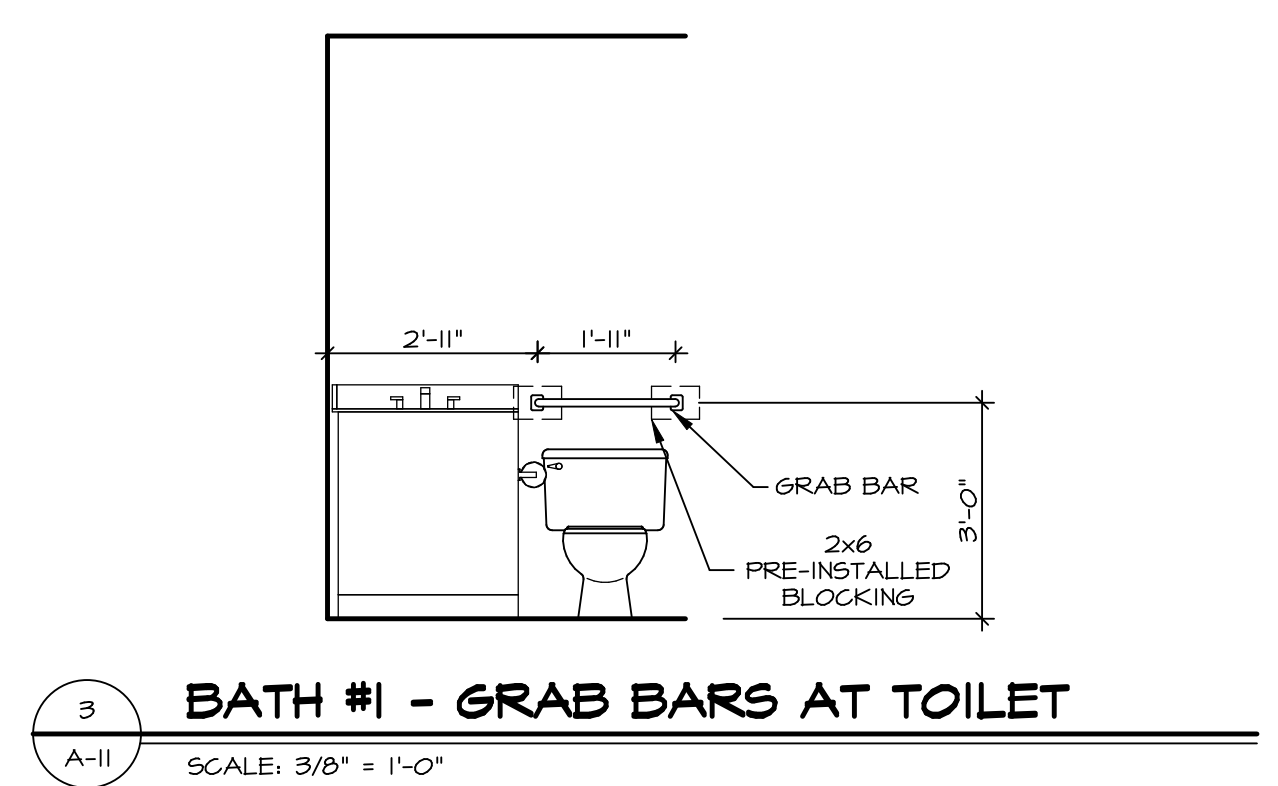
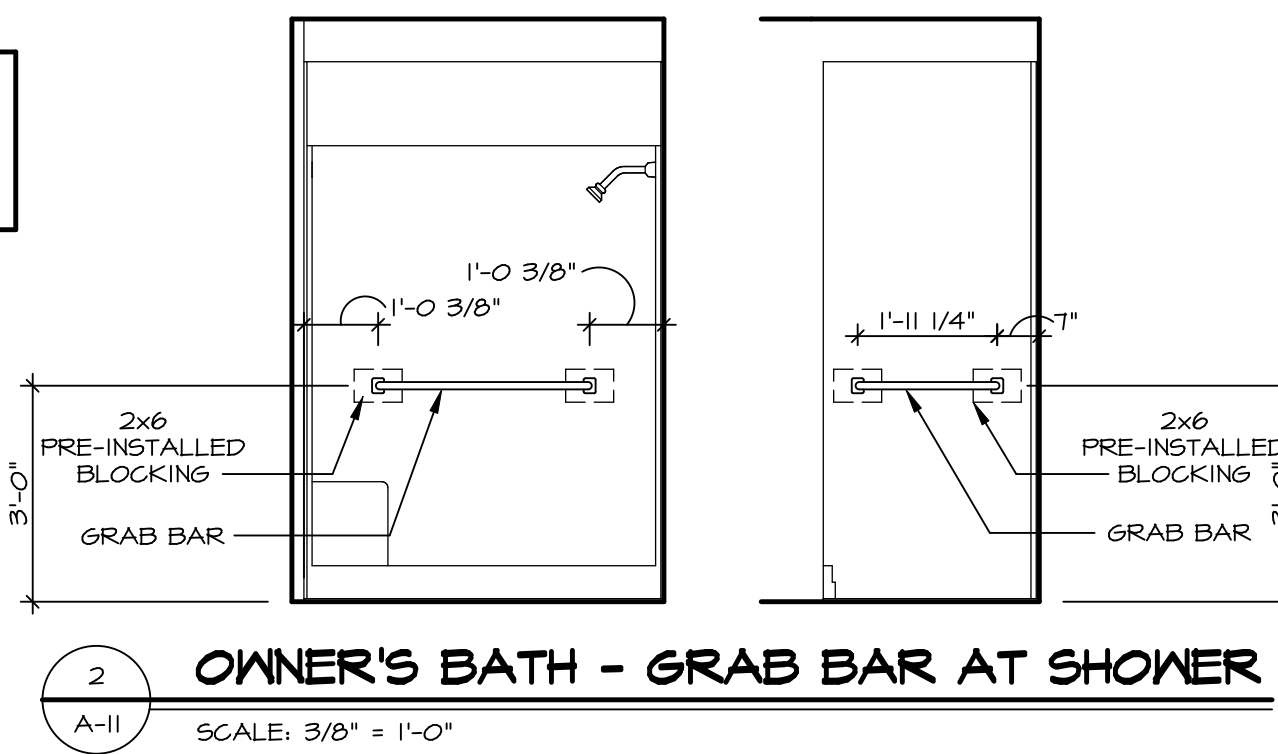
DIV-COMM-LOT-UNIT DCY-S3-0243  
COMM-LOT 5MAYERS MILL - LIFESTYLE - 0243  
STREET ADDRESS 6654 CRYSTAL HARBOUR DR.  
CITY MIDDLETOWN STATE OH ZIP 45042

**NOTES:**

- TEMPERED GLASS SHOWER ENCLOSURE WITH SWING DOOR OR OPTIONAL SLIDING DOOR BY DIVISION.
- TUB ACCESS PANELS PROVIDED AS NEEDED, ALL MATERIALS BY DIVISION.
- ALL BATH ELEVATIONS ARE SHOWN PER PLAN.
- ALL VSD324-42 DRAWERS TO BE SET ON RIGHT HAND.



**NOTE:**  
GRAB BARS NOT INCLUDED. LOCATIONS SHOWN FOR GRAPHIC PURPOSES ONLY.



SHEET NO. <b>A-11</b>	MODEL <b>ARUBA BAY</b>	DRAWING TITLE <b>BATH ELEVATIONS</b>	OPTION DESCRIPTION	SET NO. <b>ABY00</b>	VERSION <b>01</b>	DRAWN BY	DATE:	OPTION
				<p>© NVR, Inc. expressly reserves the right to modify or change these plans without notice. These plans are not to be reproduced, changed or altered in any way without the written consent of NVR, Inc.</p> <p><b>NVR</b> NVR, Inc. Suite 100 Frederick, MD 21703</p> <p>5285 Washburne, Suite 100 Frederick, MD 21703</p>				
<p>DIV-COMM-LOT-UNIT <b>DCY-S3-0243</b></p> <p>COMM-LOT <b>SMYTERS MILL - LIFESTYLE - 0243</b></p> <p>STREET ADDRESS <b>6654 CRYSTAL HARBOUR DR.</b></p> <p>CITY <b>MIDDLETOWN</b></p> <p>STATE <b>OH</b></p> <p>ZIP <b>45042</b></p>				<p>APPT. NO. <b>----</b></p>				