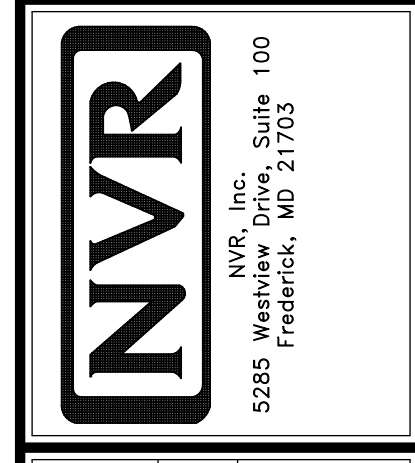


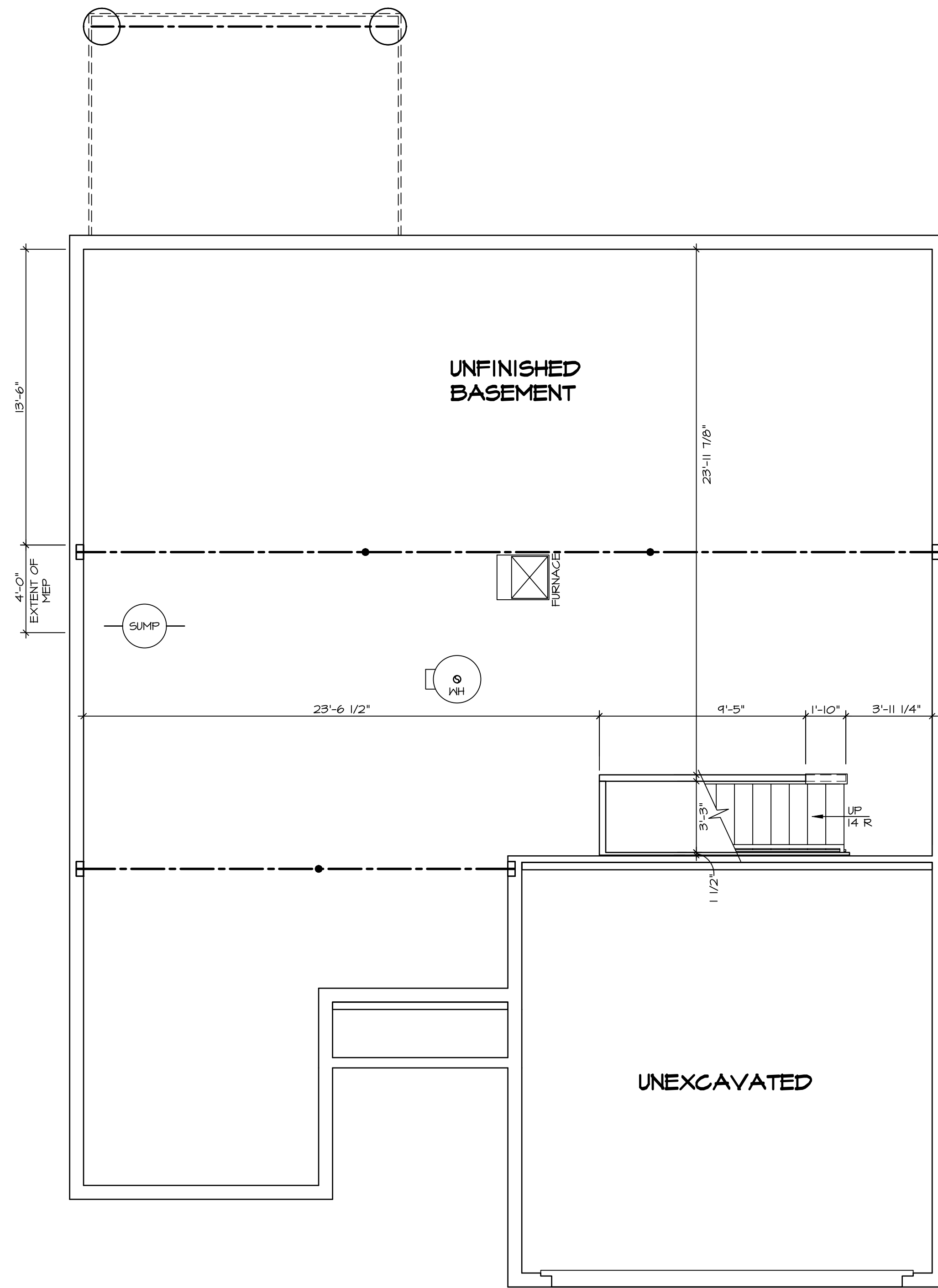
PLUMBING PLAN
SCALE: 1/4" = 1'-0"

SHEET NO. A-5	MODEL GRAND BAHAMA	SET NO. 66H00 VERSION 01 RELEASE NO. ---- DRAWN BY DATE: OPTION
10	OPTION DESCRIPTION	



© NVR, Inc., expressly reserves its copyright and other property rights in these plans. These plans are not to be reproduced, stored in a retrieval system, or copied in any form or manner whatsoever, nor are they to be used for any project without the prior written consent of NVR, Inc.

DIV-COMM-LOT-UNIT DCY-S3-0244	
COMM-LOT	SAWYERS MILL - LIFESTYLE - 0244
STREET ADDRESS	6640 CRYSTAL HARBOUR DR.
CITY	MIDDLETOWN
STATE	OH
ZIP	----



LEGEND

	BEARING WALL
	NON BEARING WALL
	INDICATES BEARING FROM POINT-LOAD ABOVE JACKS
	BEAM/HEADER
	PAD FOOTING
	STEEL COLUMN
	TRUSS TIE DOWN
	PORTAL FRAME
	JOIST/TRUSS
	LVL
	ENGINEERING PAGE NUMBER

SEE FC DETAILS FOR FRAMING CONNECTORS

- FLOOR PLAN NOTES**
- ALL HEADERS ARE (2) 2x6 w/ 2x4 WALLS OR (3) 2x6 w/ 2x6 WALLS, UNLESS OTHERWISE NOTED.
 - ALL HEADERS TO HAVE (1) 2x4 OR 2x6 JACK AND KING STUD EACH END, UNLESS OTHERWISE NOTED. MULTI-OPENING HEADERS TO HAVE (2) JACKS AT INTERMEDIATE BEARING, UNLESS OTHERWISE NOTED. NO ADDITIONAL FLOOR SYSTEM BLOCKING OR CONTINUOUS LOAD PATH JACKS ARE REQUIRED UNLESS OTHERWISE NOTED.
 - ALL EXTERIOR WALLS TO BE 4" w/ OSB OR 3 1/2" w/ LAMINATED FIBROUS STRUCTURAL SHEATHING, ALL INTERIOR WALLS TO BE 3 1/2", UNLESS OTHERWISE NOTED. HATCHED AREAS INDICATE DROPPED CEILINGS. ALL DROPPED CEILINGS ARE 12" UNLESS OTHERWISE NOTED.
 - SEE "BRACED WALL PANEL DETAIL SHEET" FOR SPECIAL WALL FRAMING LOCATIONS AND HEADER SIZES, IF APPLICABLE.
 - SEE STANDARD DETAIL CATEGORY "IT" SHEET(S) FOR INTERIOR TRIM DETAILS.
 - SEE ARCHITECTURAL DETAIL SHEET "AD" FOR HOUSE SPECIFIC INTERIOR TRIM OPTION TABLE.
 - ALL HEADERS IN NON-BEARING WALLS SHALL BE A SINGLE FLAT 2x4 OR 2x6 ATTACHED TO CRIPPLES ABOVE, UNLESS OTHERWISE NOTED.
 - TANKED WATER HEATER SHOWN AS BASE CONDITION. OPTIONAL TANKLESS WATER HEATER IS AVAILABLE IN LIEU OF TANKED WATER HEATER.

GYPSUM NOTES

AT GARAGE:
GYPSUM BOARD AT COMMON WALLS, CEILING, BEAM WRAPS AND SUPPORTS PER STANDARD DETAIL FA-1(b) FIRE ASSEMBLIES OR AS REQUIRED BY LOCAL CODE.

AT STAIRS:
1/2" GYPSUM BOARD AT UNDERSIDE OF STAIRS AND WALLS IN CLOSET

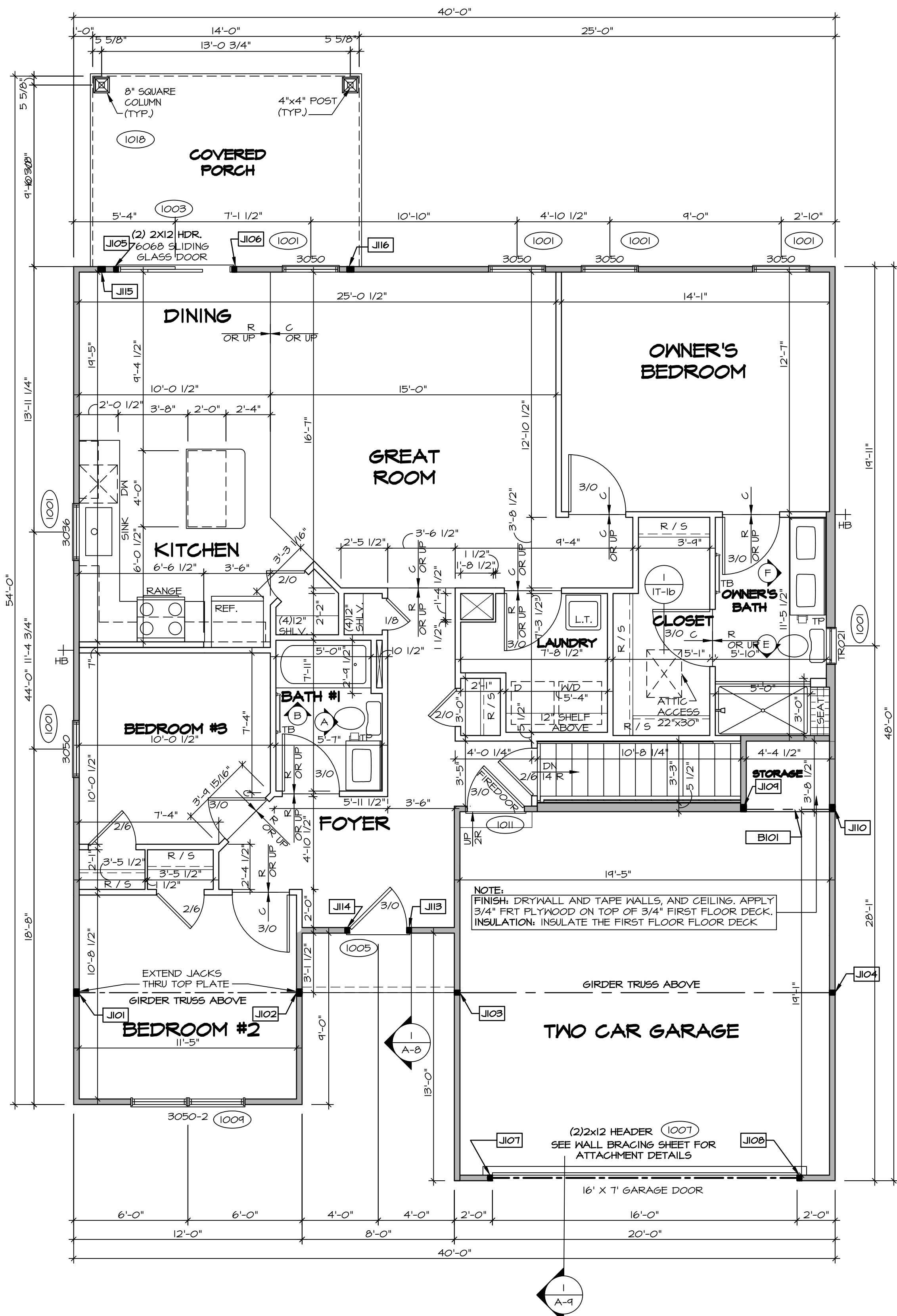
BASEMENT FLOOR PLAN
SCALE: 1/4" = 1'-0"

SHEET NO. A-6	MODEL GRAND BAHAMA	SET NO. 6BHO0	VERSION 01	RELEASE NO. ----
		DRAWN BY	DATE:	OPTION
DRAWING TITLE BASEMENT FLOOR PLAN		OPTION DESCRIPTION 		
DIV-COMM-LOT-UNIT DCY-S3-0244		COMM-LOT SAYERS MILL - LIFESTYLE - 0244		
STREET ADDRESS 6640 CRYSTAL HARBOUR DR.		APT. NO. ----		
CITY MIDDLETOWN		STATE OH	ZIP ----	

© NVR, Inc. expressly reserves its copyright and other property rights in these plans. These plans are not to be reproduced, stored in a retrieval system, or transmitted in any form or by any means, electronic, mechanical, photocopying, recording, or otherwise, without the prior written consent of NVR, Inc.

NVR
NVR, Inc., Suite 100
Frederick, MD 21703
5285 Westpark Dr.

C:\NVR\Drawings\GRAND_BAHAMA_6BHO0_01\DCY-S3-0244\2612203\Sheets\A-6_BSMT_LS.dwg 07/20/22 - 7:09 am



FIRST FLOOR PLAN
SCALE: 1/4" = 1'-0"

FIRST FLOOR JACK SCHEDULE			
IDENTIFIER	DESCRIPTION	ENG. NUM.	REMARKS
J101	JACK - (3) 2X4 SFP#1	1000	EXTEND THRU TOP PLATE
J102	JACK - (3) 2X4 SFP#1	1000	EXTEND THRU TOP PLATE
J103	JACK - (2) 2X4 SFP STUD GRADE	1000	
J104	JACK - (2) 2X4 SFP STUD GRADE	1000	
J105	JACK - (2) 2X4 SFP STUD GRADE	1003	
J106	JACK - (2) 2X4 SFP STUD GRADE	1003	
J107	JACK - (2) 2X4 SFP STUD GRADE	1007	
J108	JACK - (2) 2X4 SFP STUD GRADE	1007	
J109	JACK - (3) 2X4 SFP STUD GRADE	1013	
J110	JACK - (3) 2X4 SFP STUD GRADE	1013	
J113	JACK - (2) 2X4 SFP STUD GRADE	1005	
J114	JACK - (2) 2X4 SFP STUD GRADE	1005	
J115	JACK - (3) 2X4 SFP STUD GRADE	1013	
J116	JACK - (3) 2X4 SFP STUD GRADE	1013	

LVL PLY TO PLY FASTENING SCHEDULE: (WHERE APPLICABLE BASED ON LVL USAGE)

1.A - (2) PLY UP TO AND INCLUDING 11 7/8" TALL; FASTEN PLYS W/ (2) ROWS 16D NAILS AT 12" O.C.
 2.A - (2) PLY 14" TO AND INCLUDING 18" TALL (INCLUSIVE); FASTEN PLYS W/ (3) ROWS 16D NAILS AT 12" O.C.
 3.A - (2) PLY 20" TALL AND OVER; FASTEN PLYS W/ (4) ROWS 16D NAILS AT 12" O.C.
 4.A - (3) PLY UP TO AND INCLUDING 11 7/8" TALL; FASTEN PLYS W/ (2) ROWS 16D NAILS AT 12" O.C. FROM EACH SIDE.
 5.A - (3) PLY 14" TO AND INCLUDING 18" TALL (INCLUSIVE); FASTEN PLYS W/ (3) ROWS 16D NAILS AT 12" O.C. FROM EACH SIDE.
 6.A - (3) PLY 20" TALL AND OVER; FASTEN PLYS W/ (4) ROWS 16D NAILS AT 12" O.C. FROM EACH SIDE.
 7.A - (4) PLY (ALL SIZES); FASTEN PLYS W/ (2) ROWS 1/2" DIAMETER A307 BOLTS AT 24" O.C. SEE SHOP DRAWING FOR ADDITIONAL INFORMATION.

FIELD INSTALLED FIRST FLOOR BEAM/HEADER SCHEDULE				
IDENTIFIER	DESCRIPTION	LENGTH	ENG. NUM.	REMARKS
B101	INT HEADER - 2X10 - 2 PLY	4'-11 1/2"	1013	

LEGEND

- BEARING WALL
- NON BEARING WALL
- JACKS
- BEAM/HEADER
- PAD FOOTING
- STEEL COLUMN
- TRUSS TIE DOWN
- PORTAL FRAME
- JOIST/TRUSS
- LVL
- ENGINEERING PAGE NUMBER

SEE FC DETAILS FOR FRAMING CONNECTORS

- FLOOR PLAN NOTES** RYAN
- ALL HEADERS ARE (2) 2x6 w/ 2x4 WALLS OR (3) 2x6 w/ 2x6 WALLS, UNLESS OTHERWISE NOTED.
 - ALL HEADERS TO HAVE (1) 2x4 OR 2x6 JACK AND KING STUD EACH END, UNLESS OTHERWISE NOTED. MULTI-OPENING HEADERS TO HAVE (2) JACKS AT INTERMEDIATE BEARINGS, UNLESS OTHERWISE NOTED. NO ADDITIONAL FLOOR SYSTEM BLOCKING OR CONTINUOUS LOAD PATH JACKS ARE REQUIRED UNLESS OTHERWISE NOTED.
 - ALL EXTERIOR WALLS TO BE 4" w/ OSB OR 3 1/2" w/ LAMINATED FIBROUS STRUCTURAL SHEATHING, ALL INTERIOR WALLS TO BE 3 1/2", UNLESS OTHERWISE NOTED.
 - HATCHED AREAS INDICATE DROPPED CEILINGS. ALL DROPPED CEILINGS ARE 12" UNLESS OTHERWISE NOTED.
 - SEE "BRACED WALL PANEL DETAIL SHEET" FOR SPECIAL WALL FRAMING LOCATIONS AND HEADER SIZES, IF APPLICABLE.
 - SEE STANDARD DETAIL CATEGORY "11" SHEET(S) FOR INTERIOR TRIM DETAILS.
 - SEE ARCHITECTURAL DETAIL SHEET "AD" FOR HOUSE SPECIFIC INTERIOR TRIM OPTION TABLE.
 - ALL HEADERS IN NON-BEARING WALLS SHALL BE A SINGLE FLAT 2X4 OR 2X6 ATTACHED TO CRIPPLES ABOVE, UNLESS OTHERWISE NOTED.
 - TANKED WATER HEATER SHOWN AS BASE CONDITION, OPTIONAL TANKLESS WATER HEATER IS AVAILABLE IN LIEU OF TANKED WATER HEATER.

GYPSUM NOTES

AT GARAGE:
GYPSUM BOARD AT COMMON WALLS, CEILING, BEAM WRAPS AND SUPPORTS PER STANDARD DETAIL FA-1(b) FIRE ASSEMBLIES OR AS REQUIRED BY LOCAL CODE.

AT STAIRS:
1/2" GYPSUM BOARD AT UNDERSIDE OF STAIRS AND WALLS IN CLOSET

DIV-COMM-LOT-UNIT
DCY-S3-0244

COMM-LOT
SAYERS MILL - LIFESTYLE - 0244

STREET ADDRESS
6640 CRYSTAL HARBOUR DR

CITY STATE ZIP
MIDDLETOWN OH -----

APR. NO. -----

© NVR, Inc. expressly reserves its copyright and other property rights in these plans. These plans are not to be reproduced, stored in a retrieval system, or transmitted in any form or by any means, electronic, mechanical, photocopying, recording, or otherwise, without the prior written consent of NVR, Inc.

NVR
NVR, Inc., Suite 100
Frederick, MD 21703
5285 Westminister

SET NO. 66H00
VERSION 01
RELEASE NO. ----
DRAWN BY
DATE:
OPTION

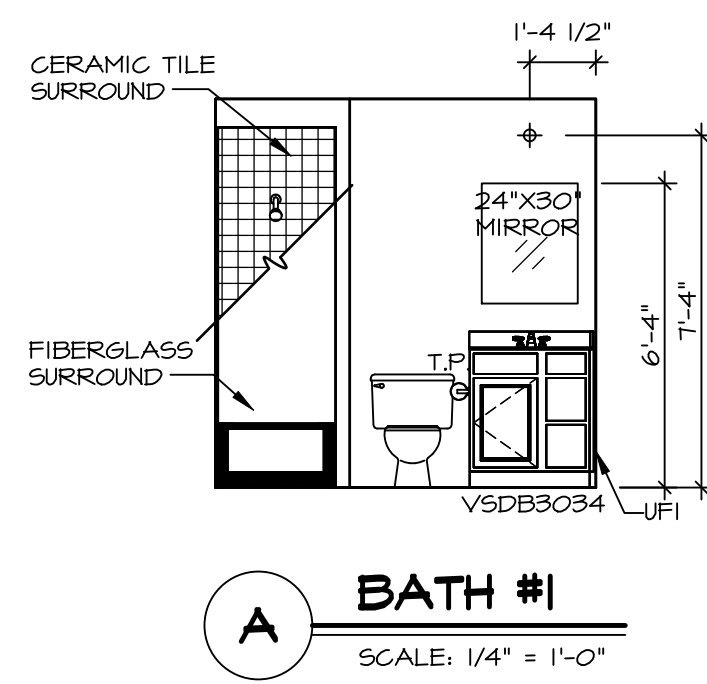
MODEL
GRAND BAHAMA
DRAWING TITLE
FIRST FLOOR PLAN

SHEET NO.
A-7

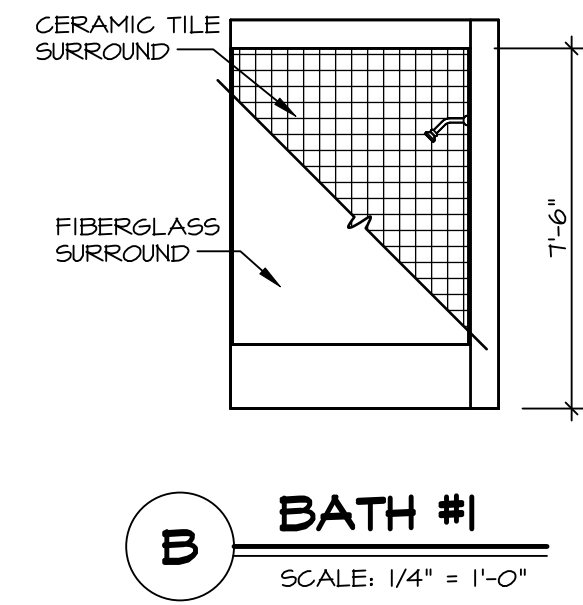
OPTION DESCRIPTION

12

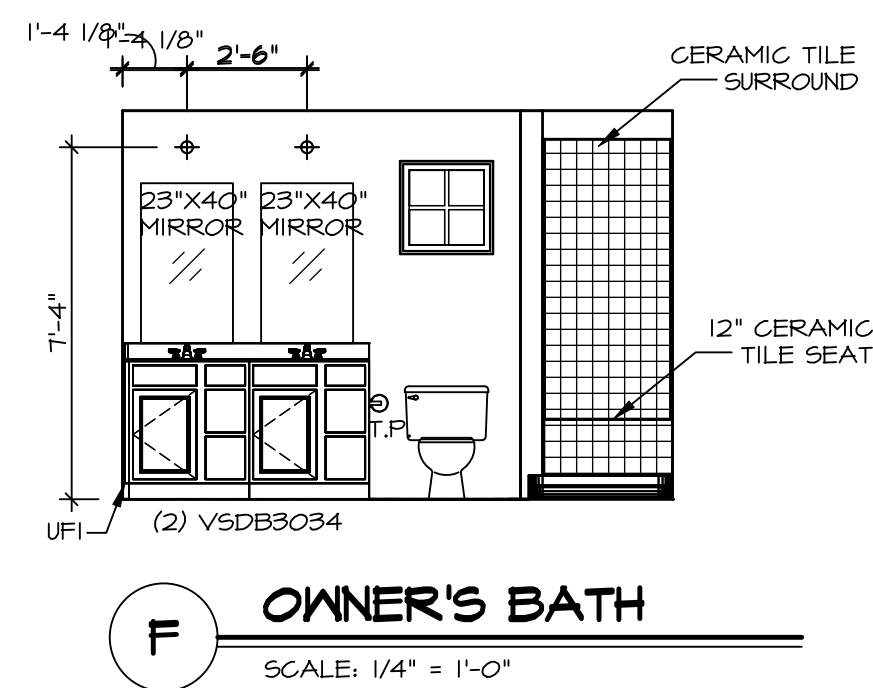
C:\NVR\Software\GRAND_BAHAMA_66H00_01\DCY-S3-0244\2612203\Streets\Lot_Specific\A-7_PLN1_LS.dwg 07/20/22 - 7:09 am



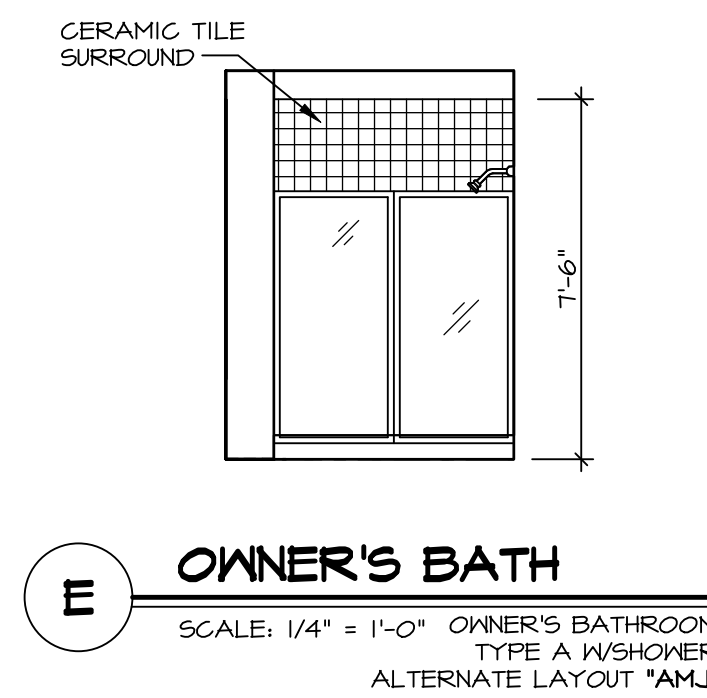
A BATH #1
SCALE: 1/4" = 1'-0"



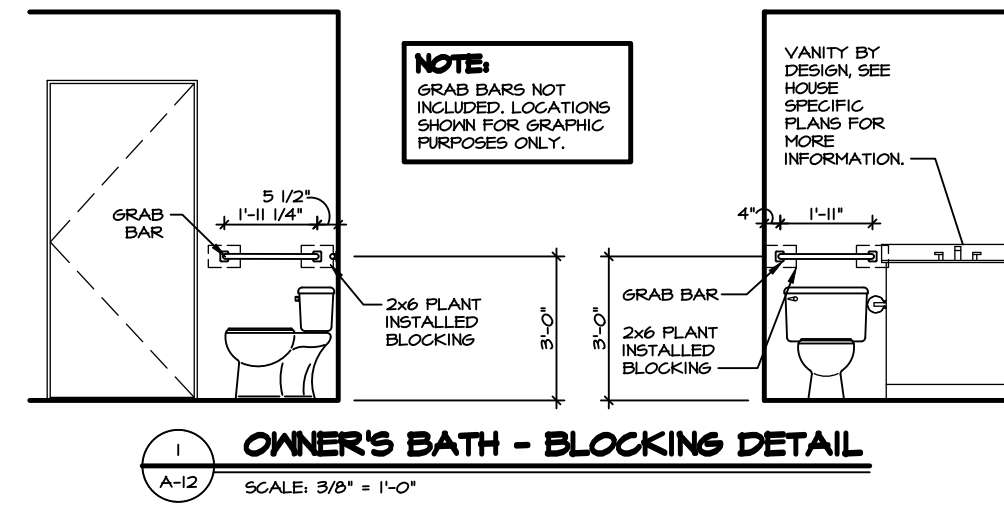
B BATH #1
SCALE: 1/4" = 1'-0"



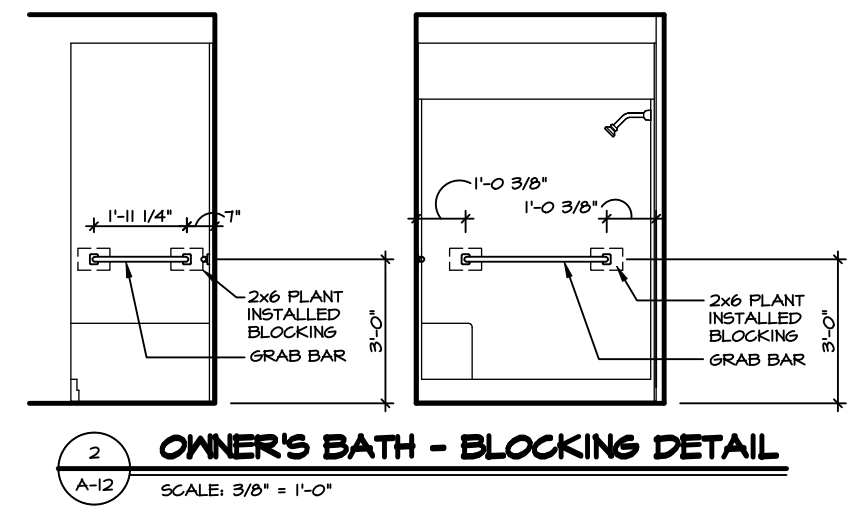
F OWNER'S BATH
SCALE: 1/4" = 1'-0"



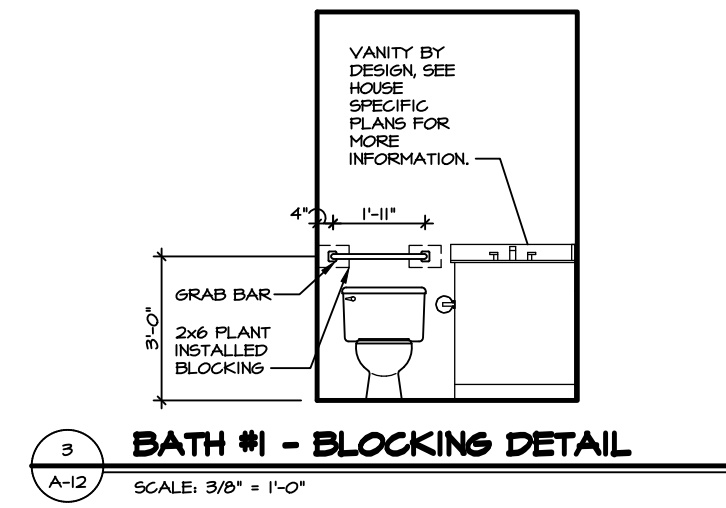
E OWNER'S BATH
SCALE: 1/4" = 1'-0" OWNER'S BATHROOM
TYPE A W/SHOWER
ALTERNATE LAYOUT "AMJ"



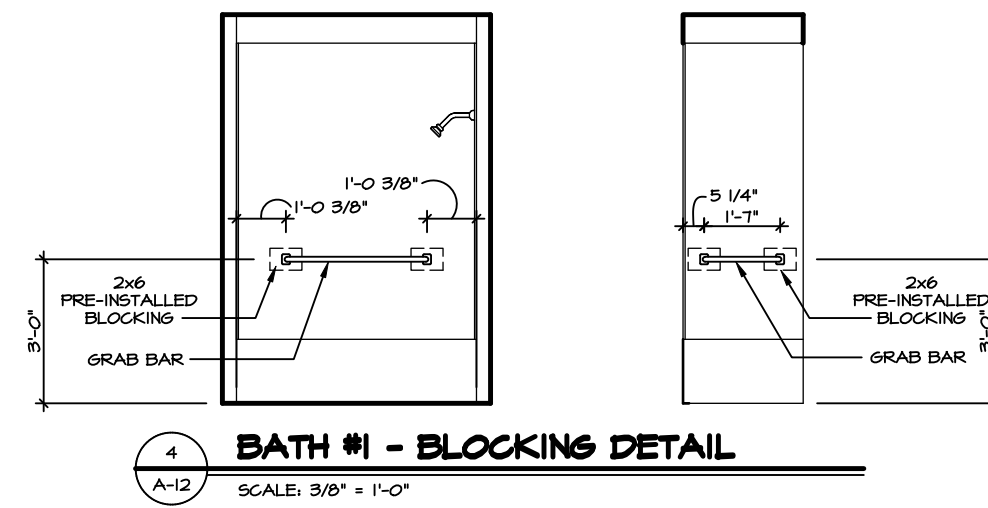
1 OWNER'S BATH - BLOCKING DETAIL
SCALE: 3/8" = 1'-0"



2 OWNER'S BATH - BLOCKING DETAIL
SCALE: 3/8" = 1'-0"



3 BATH #1 - BLOCKING DETAIL
SCALE: 3/8" = 1'-0"



4 BATH #1 - BLOCKING DETAIL
SCALE: 3/8" = 1'-0"

NOTE:
GRAB BARS NOT INCLUDED. LOCATIONS SHOWN FOR GRAPHIC PURPOSES ONLY.

VANITY BY DESIGN. SEE HOUSE SPECIFIC PLANS FOR MORE INFORMATION.

VANITY BY DESIGN. SEE HOUSE SPECIFIC PLANS FOR MORE INFORMATION.

NOTES:

- TEMPERED GLASS SHOWER ENCLOSURE WITH SWING DOOR OR OPTIONAL SLIDING DOOR BY DIVISION.
- TUB ACCESS PANELS PROVIDED AS NEEDED. ALL MATERIALS BY DIVISION.
- ALL BATH ELEVATIONS SHOWN PER PLAN.
- ALL VSDB24-42 DRAWERS TO BE SET ON RIGHT HAND.

SHEET NO. A-12	MODEL GRAND BAHAMA	SET NO. 6BHO0	VERSION 01
	DRAWING TITLE BATH	RELEASE NO. ----	DATE: ----
17	OPTION DESCRIPTION	DRAWN BY OPTION	
		DRAWN BY OPTION	
DIV-COMM-LOT-UNIT DCY-S3-0244		COM-LOT SAIYERS MILL - LIFESTYLE - 0244	
STREET ADDRESS 6640 CRYSTAL HARBOUR DR		APT. NO. ----	
CITY MIDDLETOWN		STATE OH	
ZIP ----		ZIP ----	
<p>© NVR, Inc., expressly reserves its copyright and other property rights in these plans. These plans are not to be reproduced, stored in a retrieval system, or transmitted in any form or by any means, electronic, mechanical, photocopying, recording, or otherwise, without the prior written consent of NVR, Inc.</p>			
<p>NVR NVR, Inc., Suite 100 Frederick, MD 21703 5285 Westpark Dr</p>			
<p>C:\NVR_Solves\GRAND_BAHAMA_6BHO0_01\DCY-S3-0244\2612203\Sheets\Lot_Specific\A-12_BATH_LS.dwg 07/20/22 - 7:09 AM</p>			