



**LEGEND**

	BEARING WALL
	NON BEARING WALL
	INDICATES BEARING FROM POINT-LOAD ABOVE
	JACKS
	BEAM/HEADER
	PAD FOOTING
	STEEL COLUMN
	PORTAL FRAME
	JOIST/TRUSS
	LVL
	ENGINEERING PAGE NUMBER

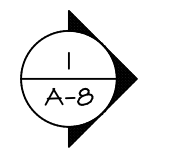
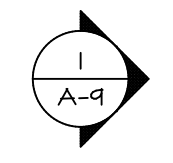
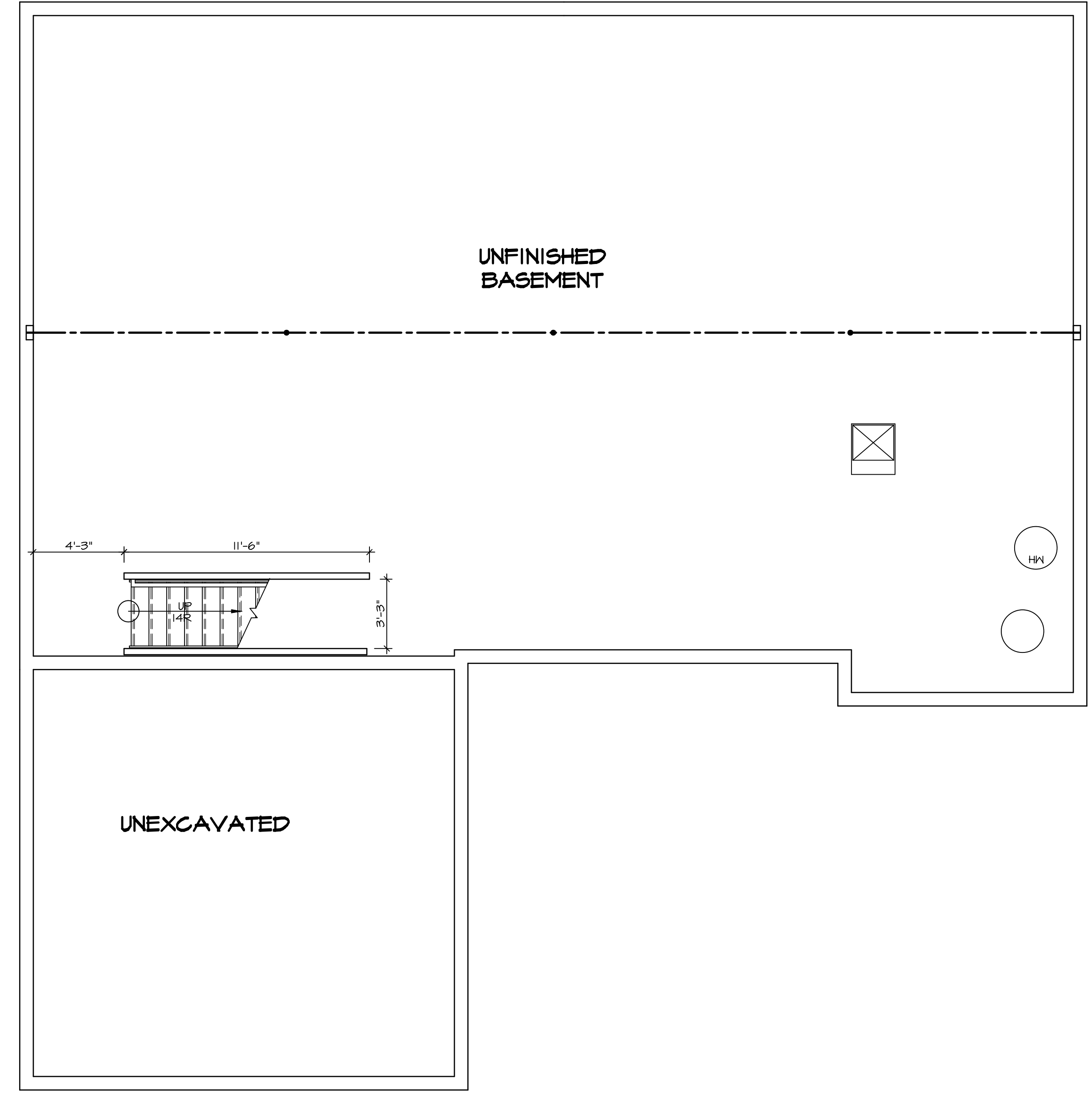
SEE FC DETAILS FOR FRAMING CONNECTORS

- FLOOR PLAN NOTES**
- ALL HEADERS ARE (2) 2x6 w/ 2x4 WALLS OR (3) 2x6 w/ 2x6 WALLS, UNLESS OTHERWISE NOTED.
  - ALL HEADERS TO HAVE (1) 2x4 OR 2x6 JACK EACH END, UNLESS OTHERWISE NOTED.
  - ALL EXTERIOR WALLS TO BE 4" AND ALL INTERIOR WALLS TO BE 3 1/2", UNLESS OTHERWISE NOTED.
  - HATCHED AREAS INDICATE DROPPED CEILINGS. ALL DROPPED CEILINGS ARE 12" UNLESS OTHERWISE NOTED.
  - SEE "BRACED WALL PANEL DETAIL SHEET" FOR SPECIAL WALL FRAMING LOCATIONS AND HEADER SIZES, IF APPLICABLE.
  - SEE STANDARD DETAIL CATEGORY "IT" SHEET(S) FOR INTERIOR TRIM DETAILS.
  - SEE ARCHITECTURAL DETAIL SHEET "AD" FOR HOUSE SPECIFIC INTERIOR TRIM OPTION TABLE.
  - ALL WINDOWS HAVE 7'-0" 1/2" HEADER HEIGHT UNLESS OTHERWISE NOTED.

**GYPSUM NOTES**

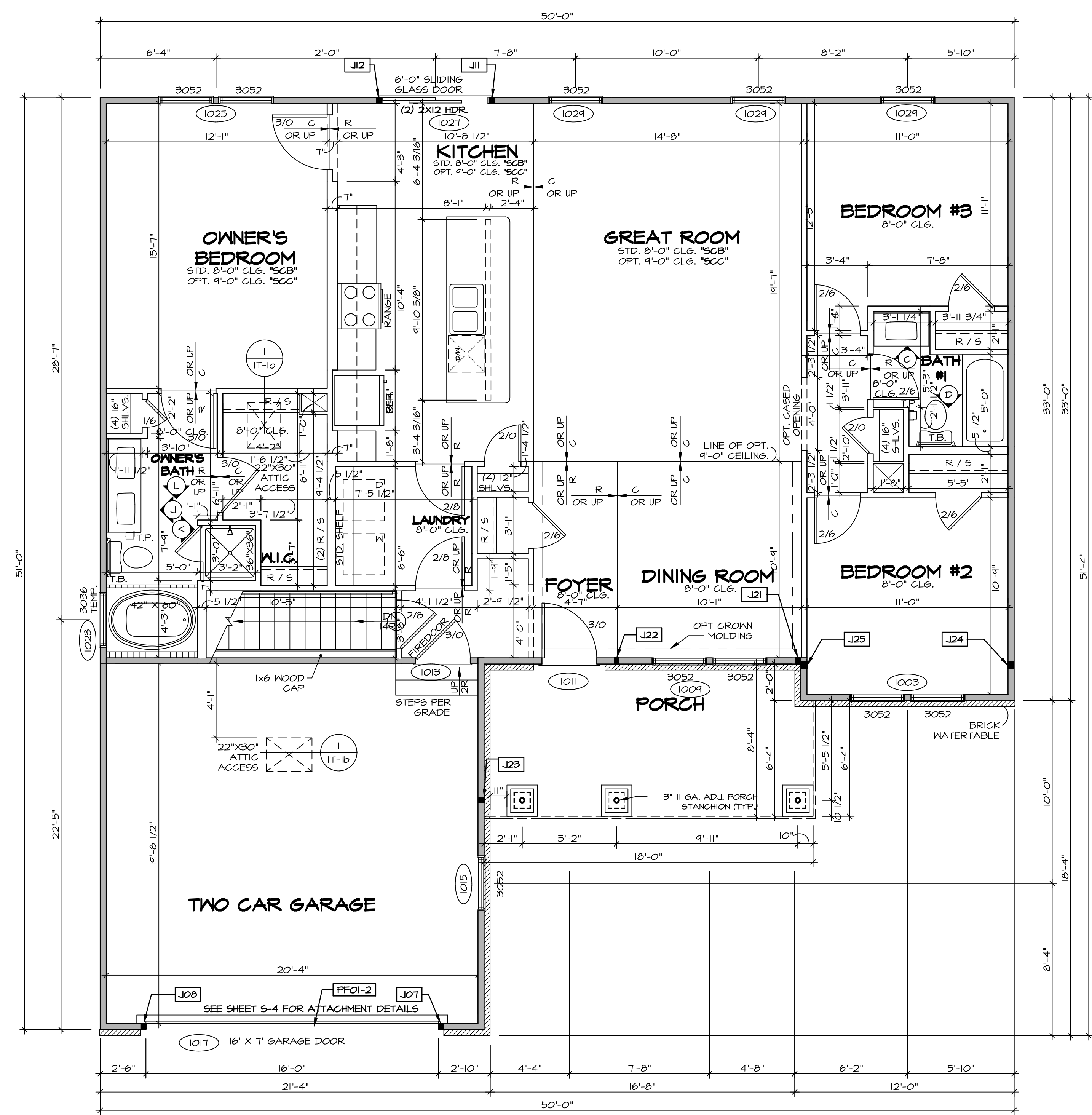
AT GARAGE:  
GYPSUM BOARD AT COMMON WALLS, CEILINGS, BEAM WRAPS AND SUPPORTS PER STANDARD DETAIL FA-1(b) FIRE ASSEMBLIES OR AS REQUIRED BY LOCAL CODE.

AT STAIRS:  
1/2" GYPSUM BOARD AT UNDERSIDE OF STAIRS AND WALLS IN CLOSET



**BASEMENT FLOOR PLAN**  
SCALE: 1/4" = 1'-0"

SHEET NO. <b>A-6</b>	MODEL <b>AVIANO</b>	SET NO. A/A00	VERSION 01	DATE: 9/1/15	OPTION
		DRAWN BY SGA			
DRAWING TITLE <b>BASEMENT FLOOR PLAN</b>		OPTION DESCRIPTION			
29					
REMARKS					
REV. NO.   DATE					
© NVR, Inc. expressly reserves the right to modify or amend these plans at any time without notice. These plans are not to be reproduced, changed or altered in any way without the written consent of NVR, Inc.					
 NVR, Inc. Suite 100 5285 Westfield Rd. Frederick, MD 21703					
C:\NVR\Solves\AVIANO_AIA00_01\DCY-TE-0045\122899A\Sheet\A-6_BSM1_LS.dwg 05/15/19 - 11:15 am					



**LEGEND**

- BEARING WALL
- NON BEARING WALL
- INDICATES BEARING FROM POINT-LOAD ABOVE
- JACKS
- BEAM/HEADER
- PAD FOOTING
- STEEL COLUMN
- PORTAL FRAME
- JOIST/TRUSS
- LVL
- ENGINEERING PAGE NUMBER

SEE FC DETAILS FOR FRAMING CONNECTORS

- FLOOR PLAN NOTES**
1. ALL HEADERS ARE (2) 2x6 W/ 2x4 WALLS OR (3) 2x6 W/ 2x6 WALLS, UNLESS OTHERWISE NOTED.
  2. ALL HEADERS TO HAVE (1) 2x4 OR 2x6 JACK AND KING STUD EACH END, UNLESS OTHERWISE NOTED.
  3. ALL EXTERIOR WALLS TO BE 4" W/ OSB OR 3 1/2" W/ T-PLY, ALL INTERIOR WALLS TO BE 3 1/2", UNLESS OTHERWISE NOTED.
  4. HATCHED AREAS INDICATE DROPPED CEILING. ALL DROPPED CEILING ARE 12" UNLESS OTHERWISE NOTED.
  5. SEE "BRACED WALL PANEL DETAIL SHEET" FOR SPECIAL WALL FRAMING LOCATIONS AND HEADER SIZES, IF APPLICABLE.
  6. SEE STANDARD DETAIL CATEGORY "IT" SHEET(S) FOR INTERIOR TRIM DETAILS.
  7. SEE ARCHITECTURAL DETAIL SHEET "AD" FOR HOUSE SPECIFIC INTERIOR TRIM TABLE.
  8. ALL WINDOWS HAVE 7'-0 1/2" HEADER HEIGHT UNLESS OTHERWISE NOTED.
  9. ALL HEADERS IN NON-BEARING WALLS SHALL BE A SINGLE FLAT 2x4 OR 2x6 ATTACHED TO CRIPPLES ABOVE, UNLESS OTHERWISE NOTED.

- GYPSUM NOTES**
- AT GARAGE:**  
 GYPSUM BOARD AT COMMON WALLS, CEILING, BEAM WRAPS AND SUPPORTS PER STANDARD DETAIL FA-1(b) FIRE ASSEMBLIES OR AS REQUIRED BY LOCAL CODE.
- AT STAIRS:**  
 1/2" GYPSUM BOARD AT UNDERSIDE OF STAIRS AND WALLS IN CLOSET

**LVL PLY TO PLY FASTENING SCHEDULE:**

- 1.A - (2) PLY UP TO AND INCLUDING 11 7/8" TALL; FASTEN PLYS W/ (2) ROWS 16D NAILS AT 12" O.C.
- 2.A - (2) PLY 14" TO AND 18" TALL (INCLUSIVE); FASTEN PLYS W/ (3) ROWS 16D NAILS AT 12" O.C.
- 3.A - (2) PLY 20" TALL AND OVER; FASTEN PLYS W/ (4) ROWS 16D NAILS AT 12" O.C.
- 4.A - (3) PLY UP TO AND INCLUDING 11 7/8" TALL; FASTEN PLYS W/ (2) ROWS 16D NAILS AT 12" O.C. FROM EACH SIDE
- 5.A - (3) PLY 14" TO AND 18" TALL (INCLUSIVE); FASTEN PLYS W/ (3) ROWS 16D NAILS AT 12" O.C. FROM EACH SIDE
- 6.A - (3) PLY 20" TALL AND OVER; FASTEN PLYS W/ (4) ROWS 16D NAILS AT 12" O.C. FROM EACH SIDE

**FIELD INSTALLED FIRST FLOOR BEAM/HEADER SCHEDULE**

IDENTIFIER	DESCRIPTION	LENGTH	OPTIONS	ENG. NUM.	REMARKS
PFOI-2	EXT HEADER - 2X12 - 2 PLY	20'-4"	GCB	1017	

**FIRST FLOOR JACK SCHEDULE**

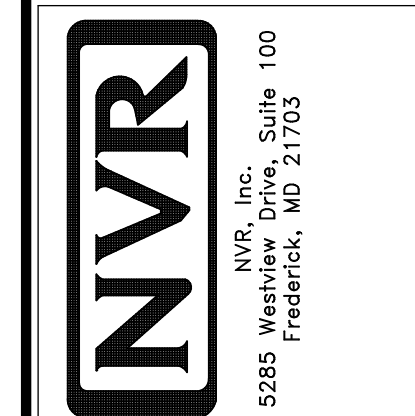
IDENTIFIER	DESCRIPTION	OPTIONS	ENG. NUM.	REMARKS
J01	JACK - (2) 2X4 SFF STUD GRADE	GCB	1017	
J08	JACK - (2) 2X4 SFF STUD GRADE	GCB	1017	
J11	JACK - (2) 2X4 SFF STUD GRADE	GCB	1021	
J12	JACK - (2) 2X4 SFF STUD GRADE	GCB	1021	
J21	JACK - (2) 2X4 SFF STUD GRADE	ELL	1033	
J22	JACK - (2) 2X4 SFF STUD GRADE	ELL	1033	
J23	JACK - (2) 2X4 SFF STUD GRADE	ELL	1033	
J24	JACK - (3) 2X4 SFF STUD GRADE	ELL	1036	
J25	JACK - (3) 2X4 SFF STUD GRADE	ELL	1036	

**FIRST FLOOR PLAN**  
 SCALE: 1/4" = 1'-0"

**REMARKS**

REV. NO.	DATE	DESCRIPTION
1		

I, the undersigned, hereby certify that the information furnished on this drawing is true and correct to the best of my knowledge and belief, and that I am a duly licensed professional engineer in the State of Maryland. My license number is 10010.



SET NO. A1A00  
 VERSION 01  
 DRAWN BY SGA  
 DATE: 9/17/15  
 OPTION

SHEET NO. **A-7**  
 MODEL: AVIANO  
 DRAWING TITLE: FIRST FLOOR PLAN  
 OPTION DESCRIPTION



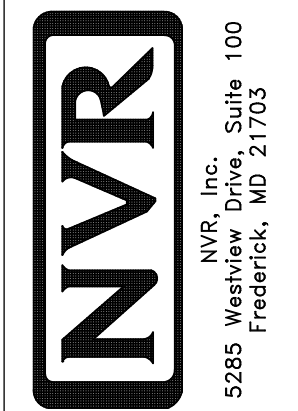
**NOTES:**

1. TEMPERED GLASS SHOWER ENCLOSURE WITH SWING DOOR OR OPTIONAL SLIDING DOOR BY DIVISION
2. TUB ACCESS PANELS PROVIDED AS NEEDED. ALL MATERIALS BY DIVISION
3. REFER TO SHEET IT-2 FOR TUB AND SHOWER DETAILS.
4. ALL VSDB24-42 DRAWERS TO BE SET ON RIGHT HAND.
5. BATH ELEVATIONS ARE SHOWN PER PLAN.

REMARKS

REV. NO. DATE

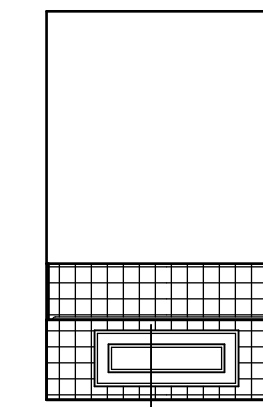
© NVR, Inc. expressly reserves the right to modify or amend these plans at any time without notice. These plans are not to be reproduced, changed or altered in any way without the written consent of NVR, Inc.



SET NO. A/A00  
VERSION 01  
DRAWN BY SGA  
DATE: 4/1/15  
OPTION

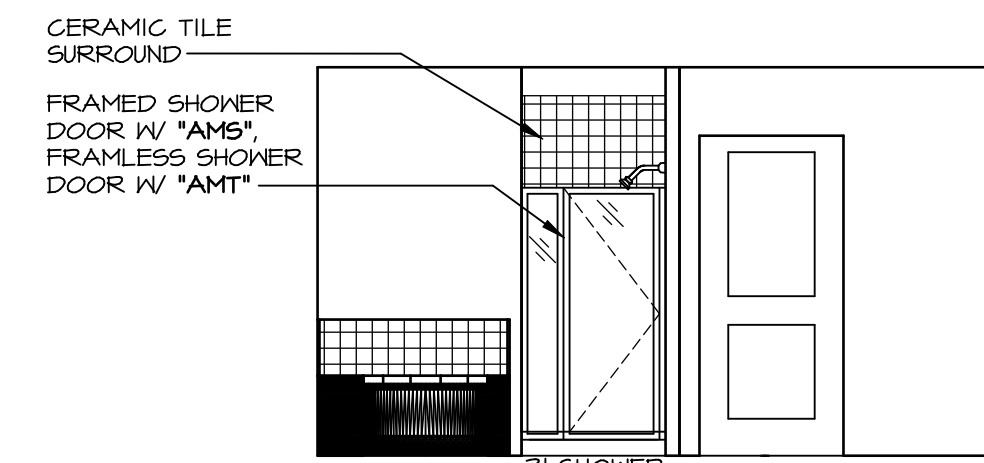
MODEL: AVIANO  
DRAWING TITLE: BATH ELEVATIONS  
OPTION DESCRIPTION

SHEET NO. A-12  
42

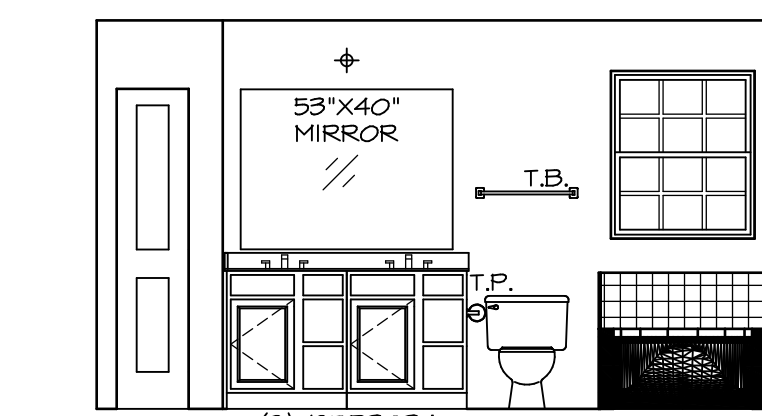


4  
IT-2

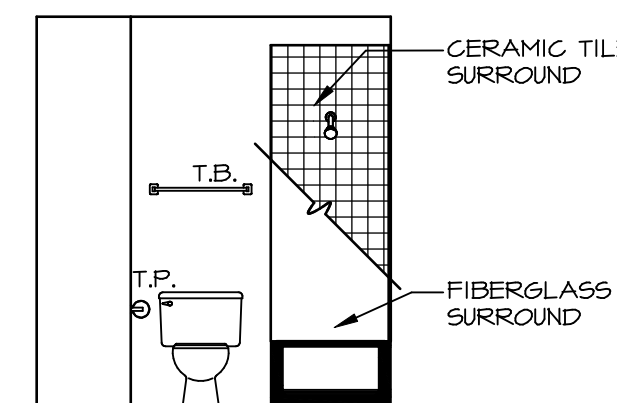
**L** OWNER'S BATH - "AME"  
SCALE: 1/4" = 1'-0"



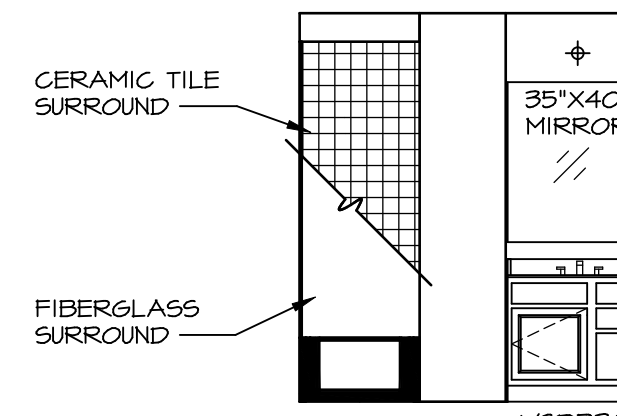
**K** OWNER'S BATH - "AME"  
SCALE: 1/4" = 1'-0"



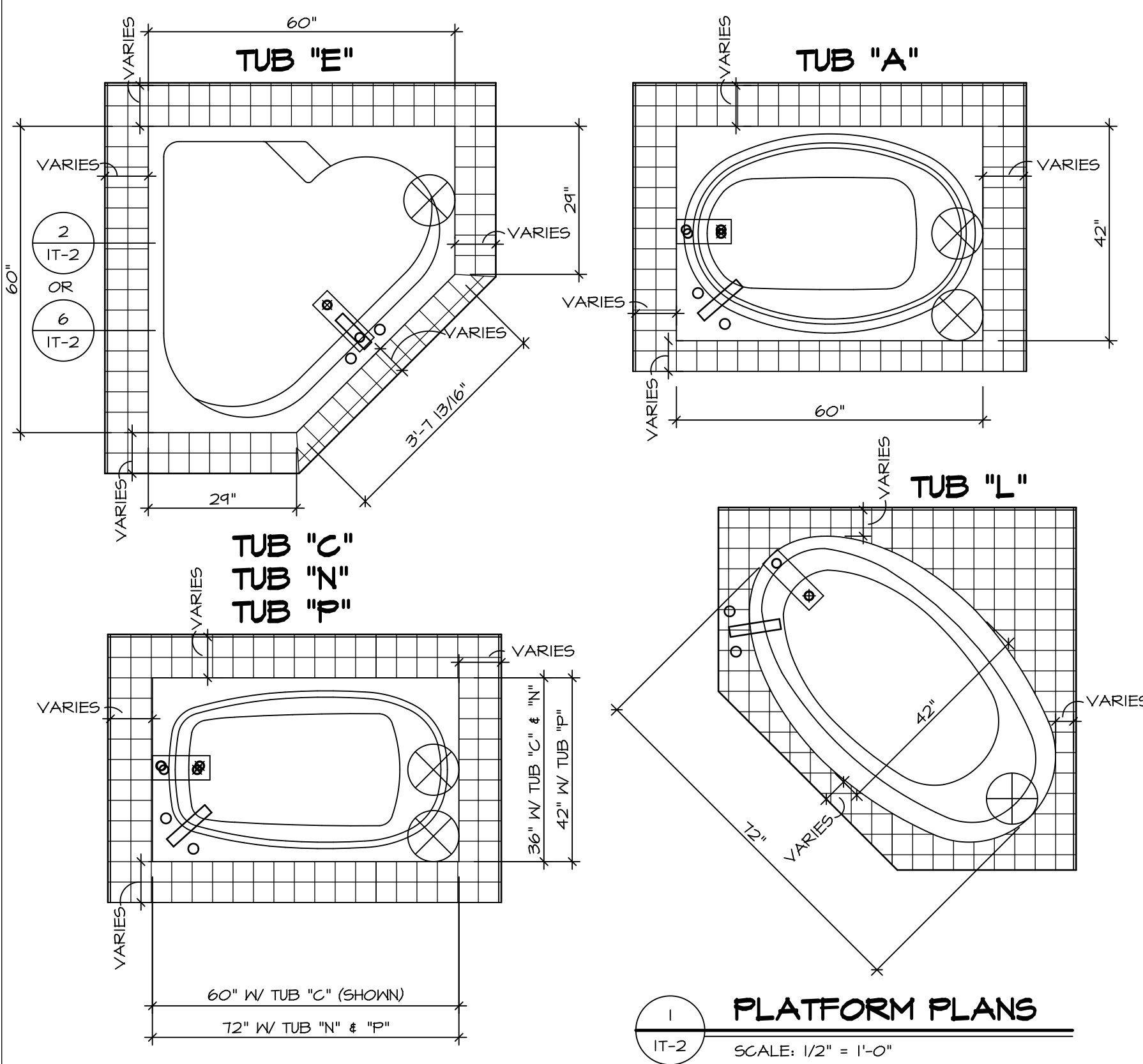
**L** OWNER'S BATH - "AME"  
SCALE: 1/4" = 1'-0"



**D** BATH #1  
SCALE: 1/4" = 1'-0"

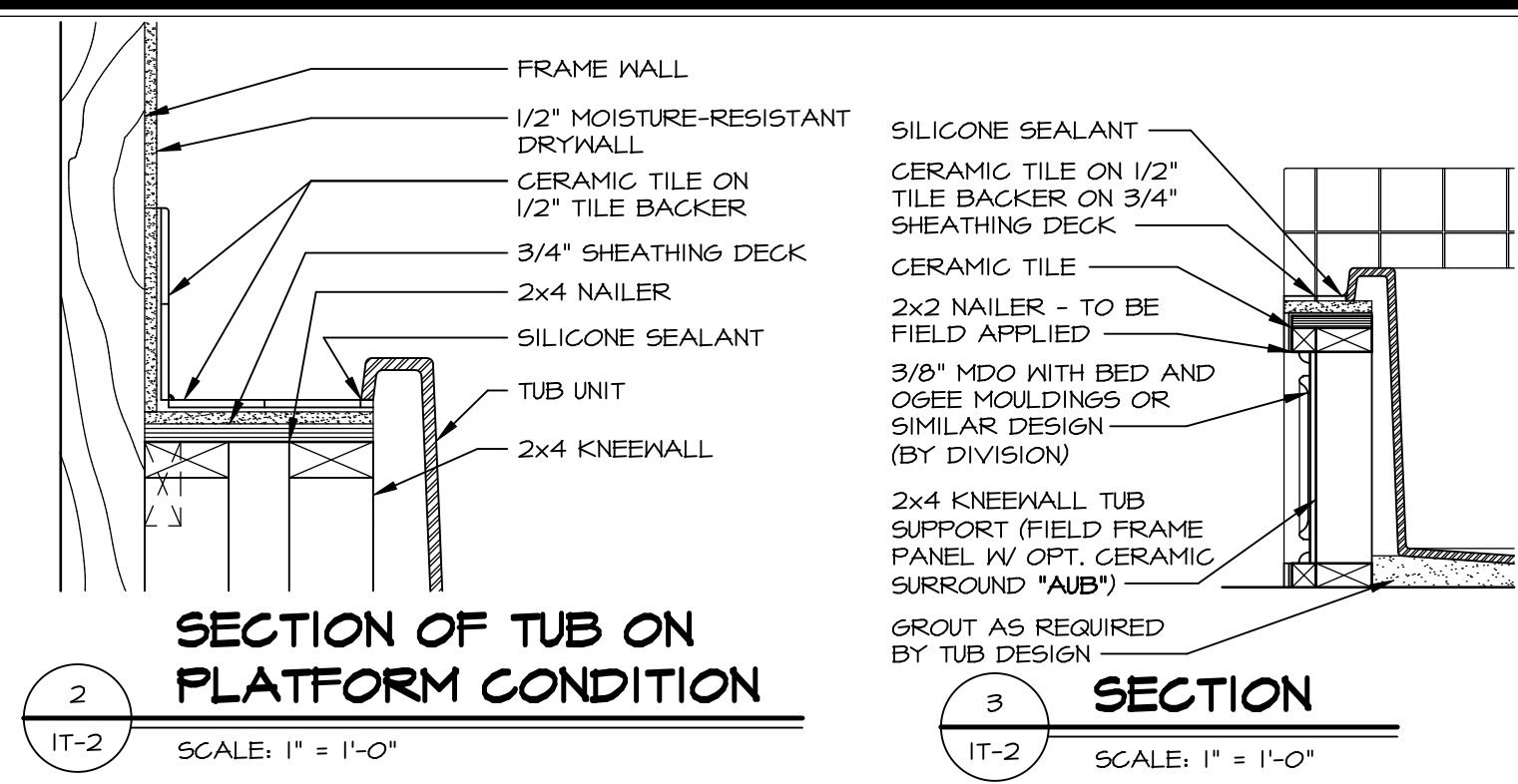


**C** BATH #1  
SCALE: 1/4" = 1'-0"

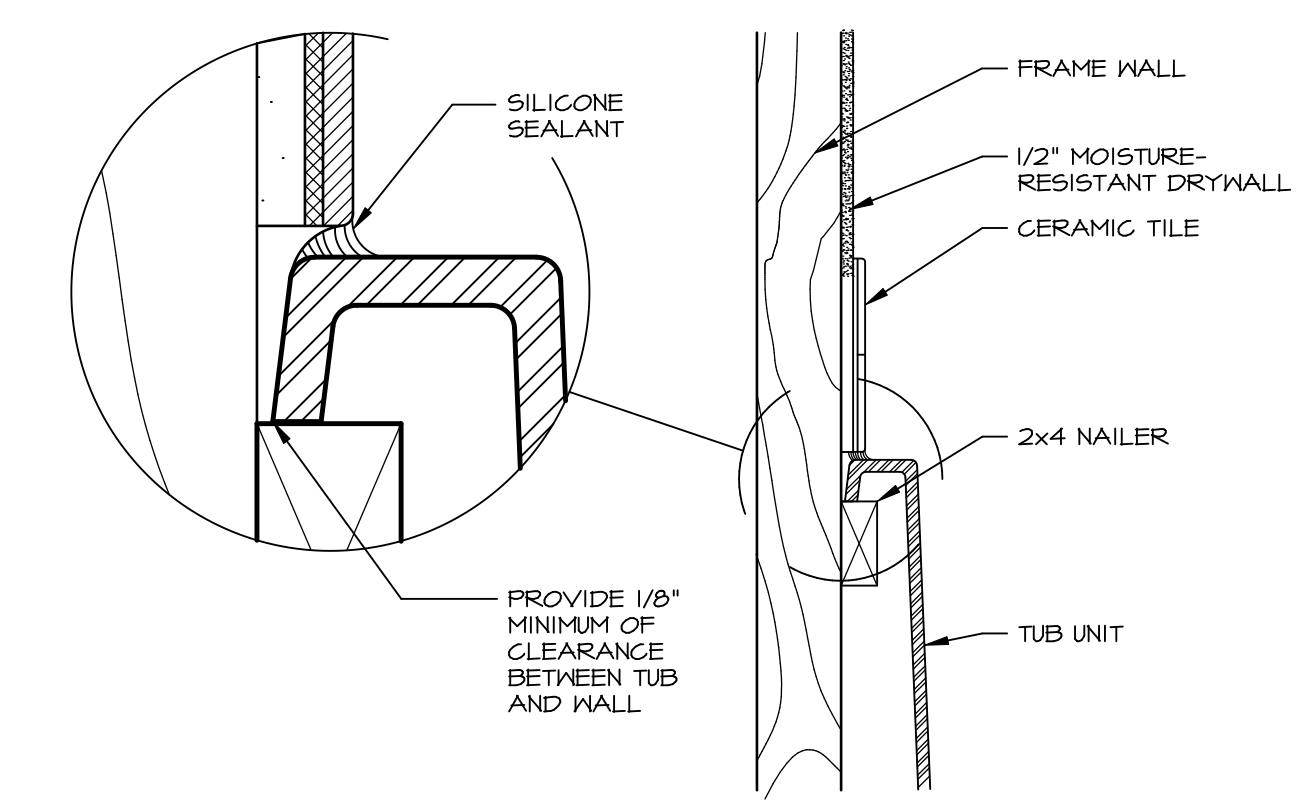


**1 PLATFORM PLANS**  
SCALE: 1/2" = 1'-0"

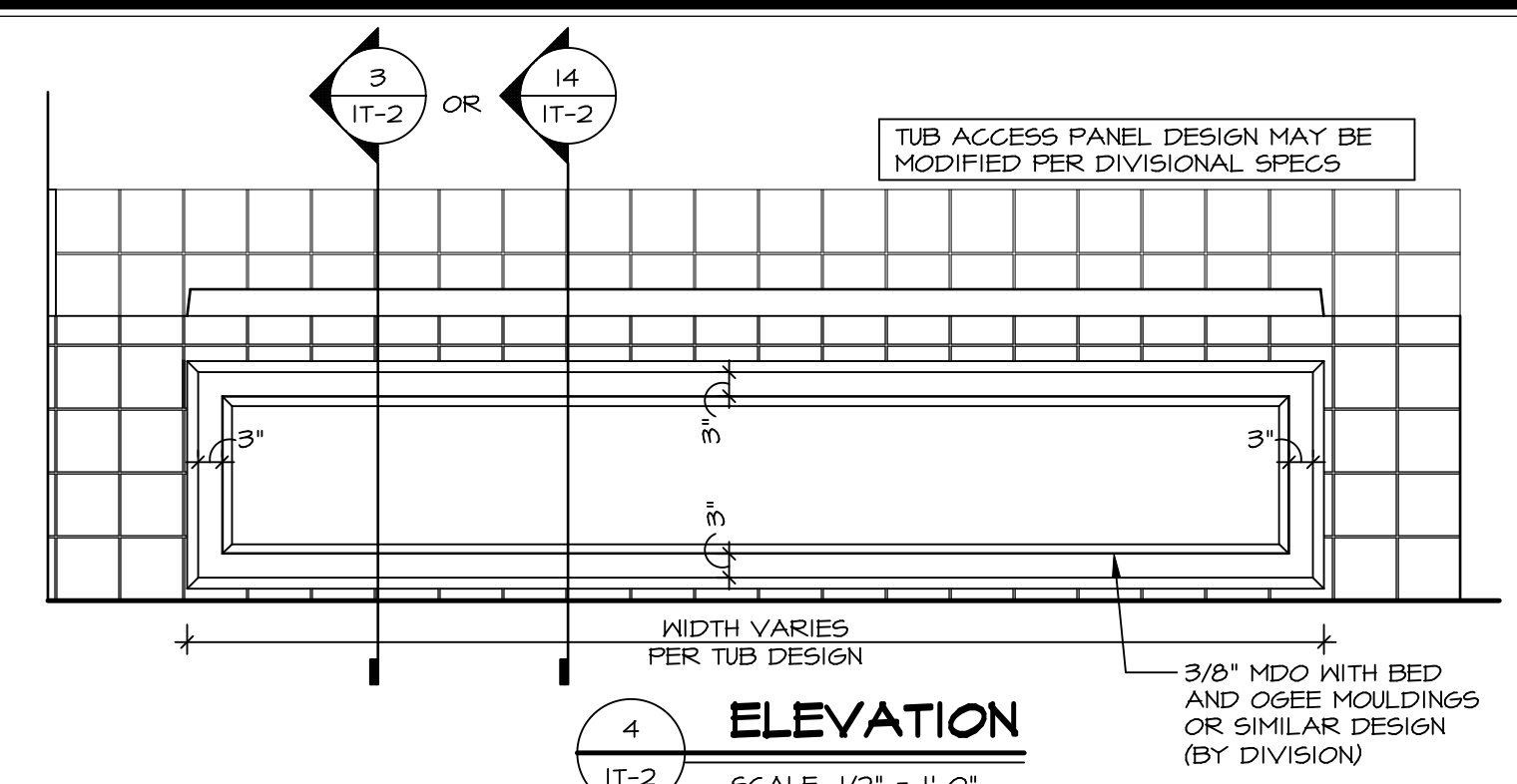
TUB	MANUF.	HEIGHT	WIDTH	LENGTH	TUB DECK PANEL HEIGHT
"A"	KOHLER/STERLING	18 3/4"	42"	60"	17 1/8"
"C"	KOHLER/STERLING	18 3/4"	36"	60"	17 1/8"
"E"	KOHLER/STERLING	19 1/2"	60"	60"	17 7/8"
"L"	KOHLER/STERLING	18 1/2"	42"	72"	16 7/8"
"N"	KOHLER/STERLING	18 3/4"	36"	72"	17 1/8"
"P"	KOHLER/STERLING	18 3/4"	42"	72"	17 1/8"



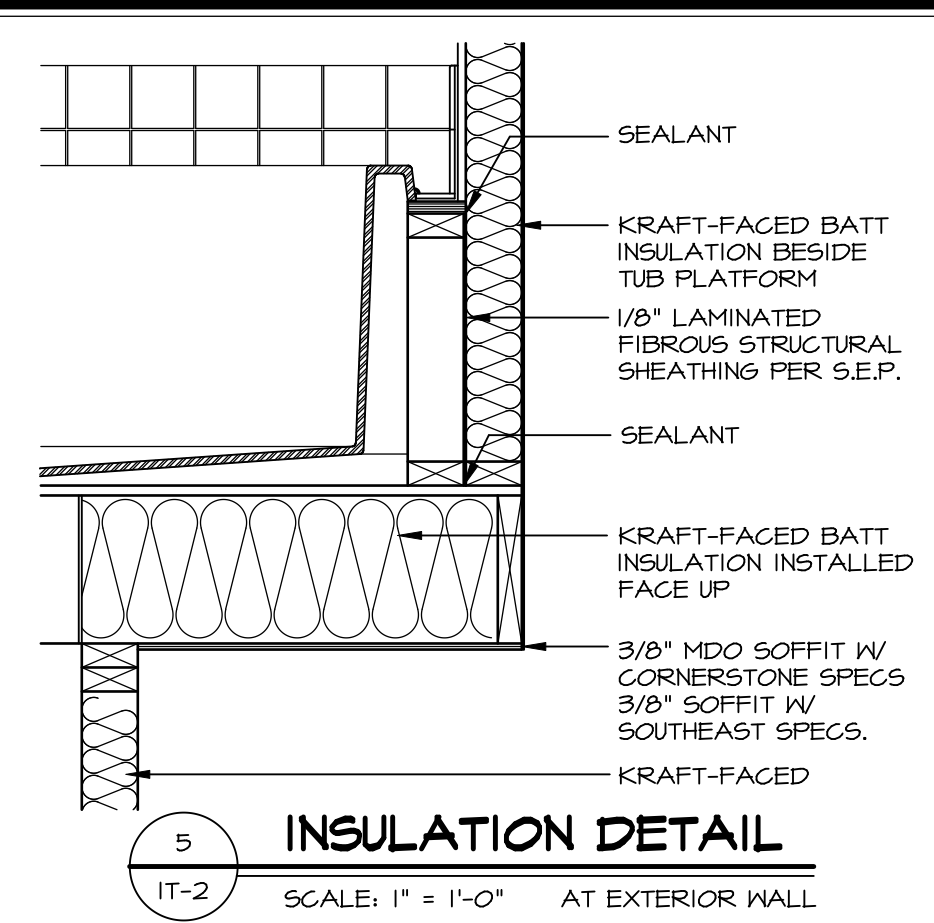
**2 SECTION OF TUB ON PLATFORM CONDITION**  
SCALE: 1" = 1'-0"



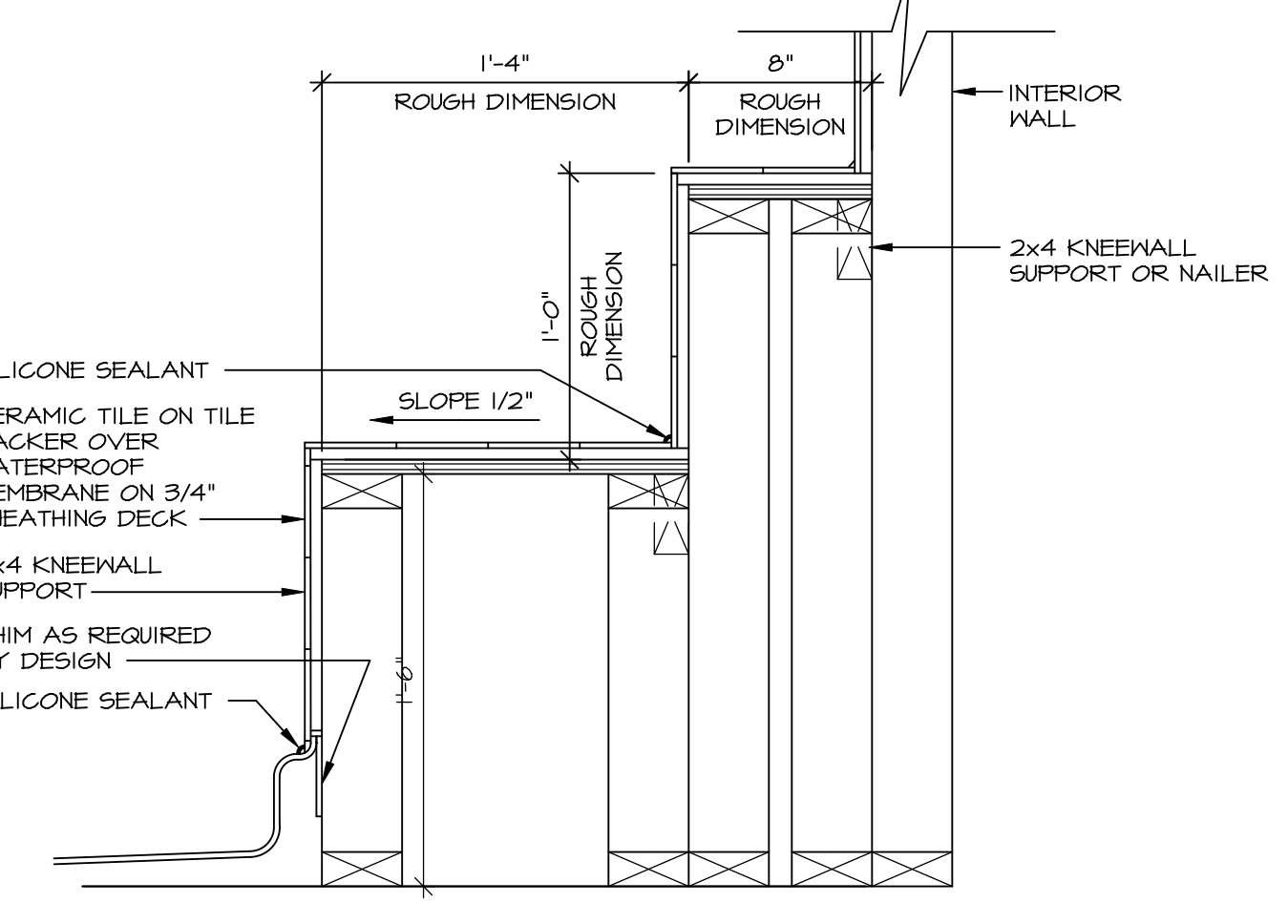
**3 SECTION OF TUB TO WALL CONDITION**  
SCALE: 1" = 1'-0"



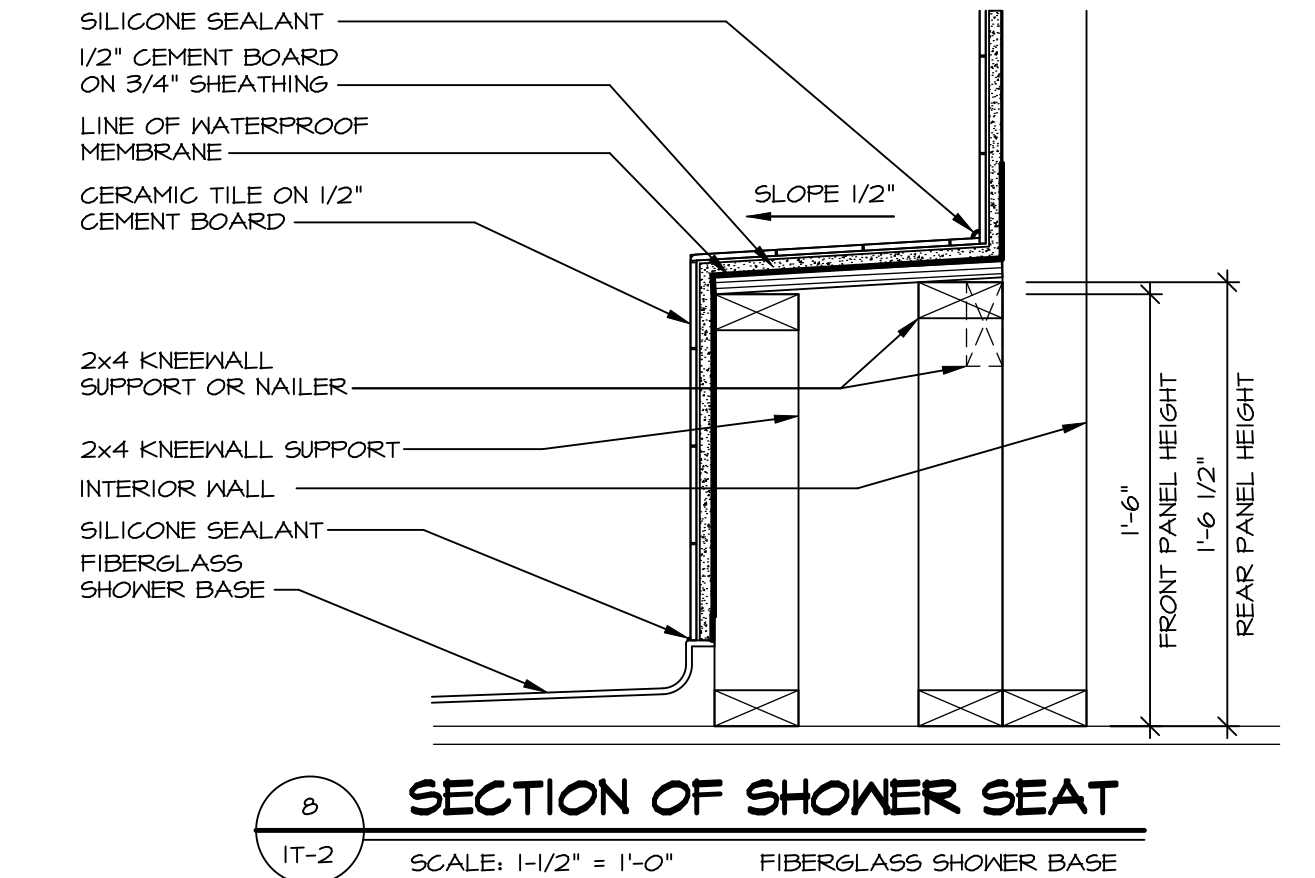
**4 ELEVATION**  
SCALE: 1/2" = 1'-0"



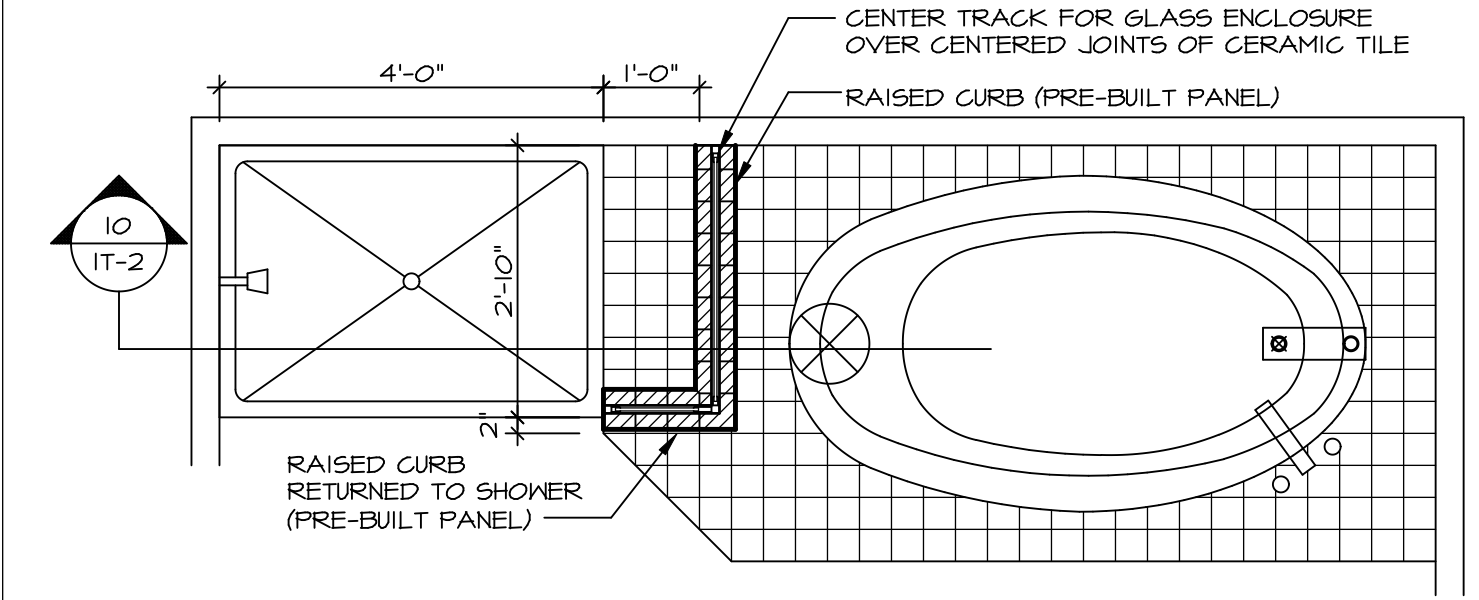
**5 INSULATION DETAIL**  
SCALE: 1" = 1'-0" AT EXTERIOR WALL



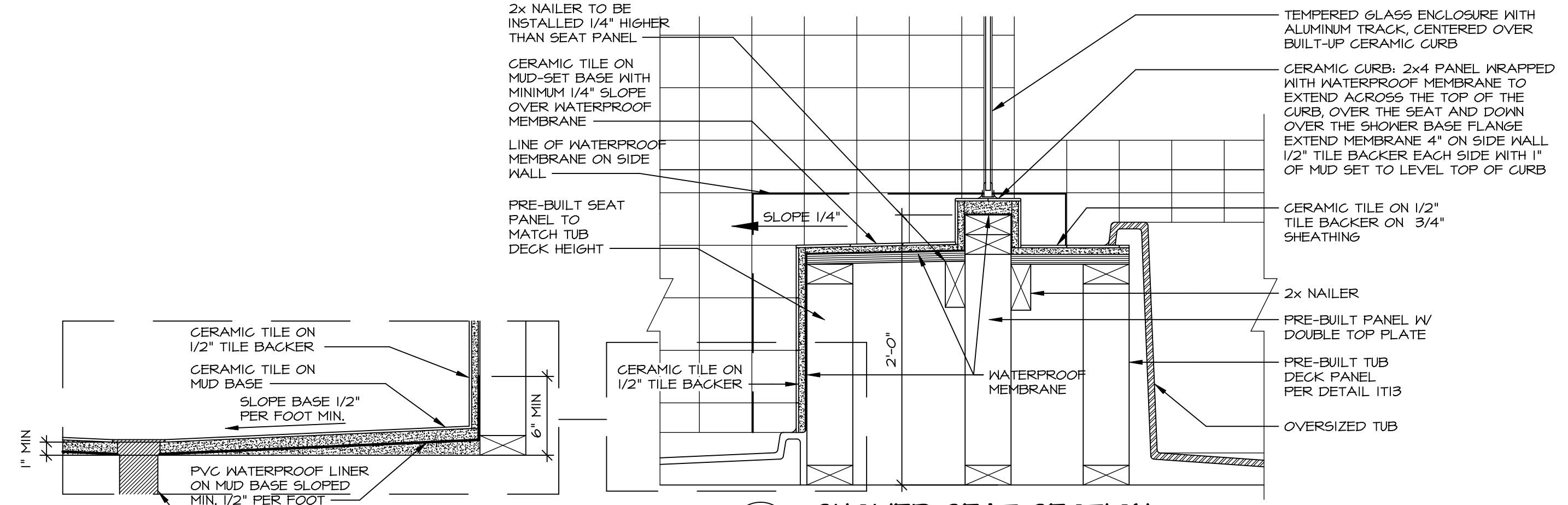
**7 SECTION OF SHOWER SEAT AND SHELF**  
SCALE: 1/2" = 1'-0"



**8 SECTION OF SHOWER SEAT**  
SCALE: 1-1/2" = 1'-0" FIBERGLASS SHOWER BASE



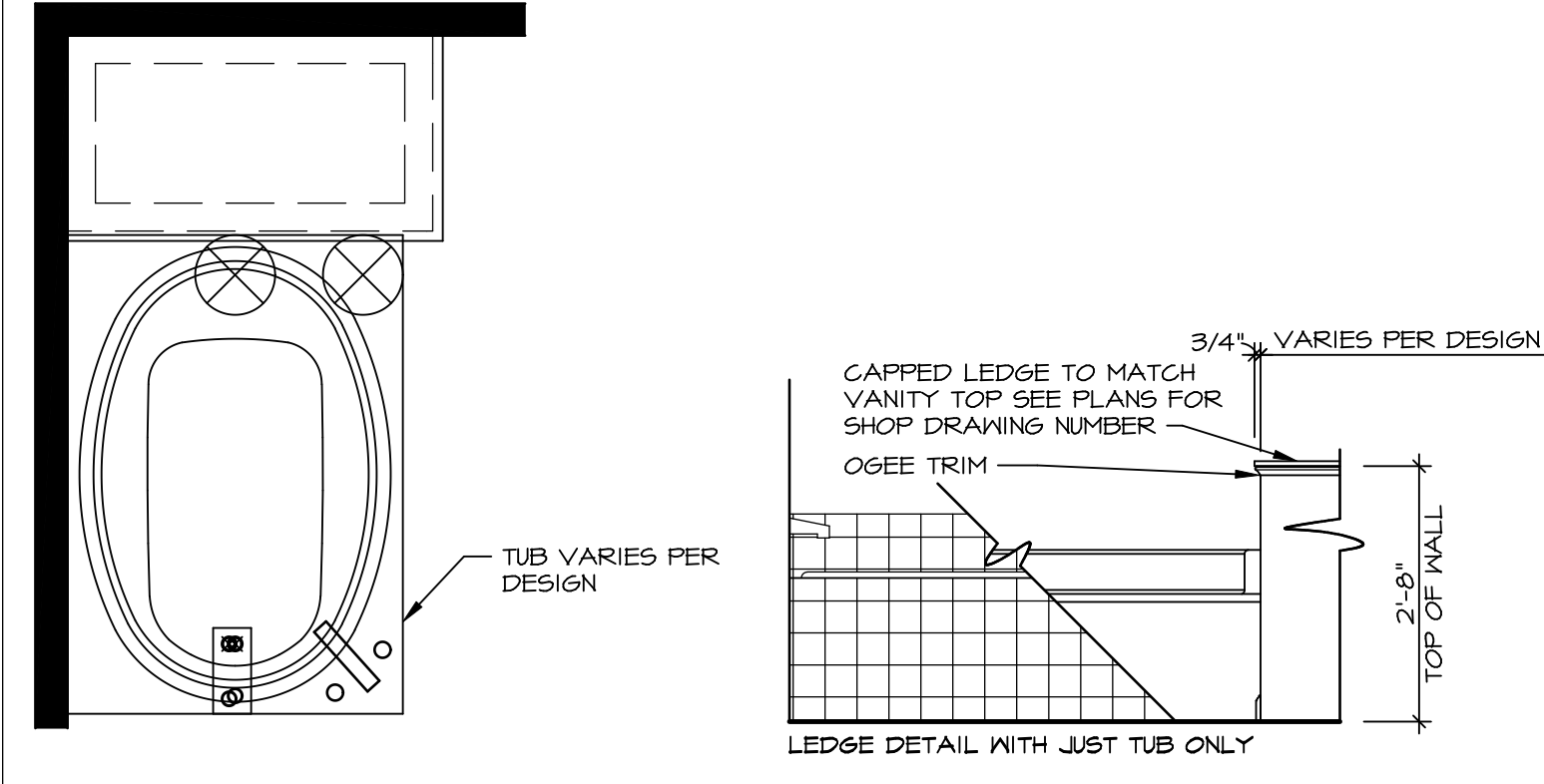
**9 SHOWER SEAT PLAN / DETAIL**  
SCALE: 1/2" = 1'-0"



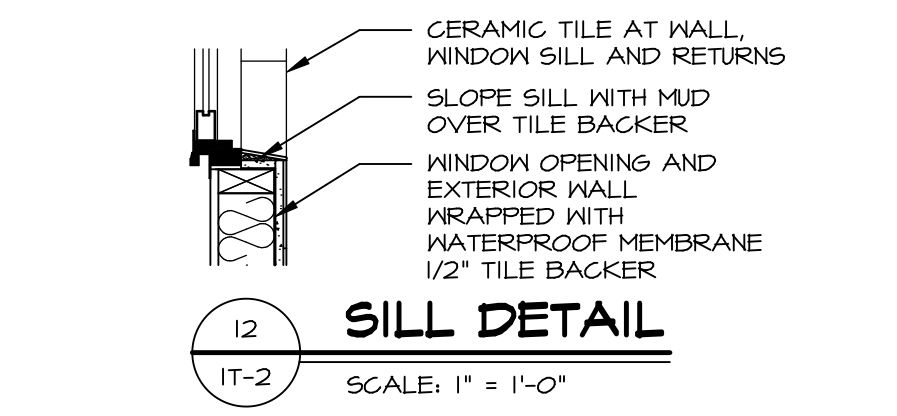
**10 SHOWER SEAT SECTION**  
SCALE: 1-1/2" = 1'-0"



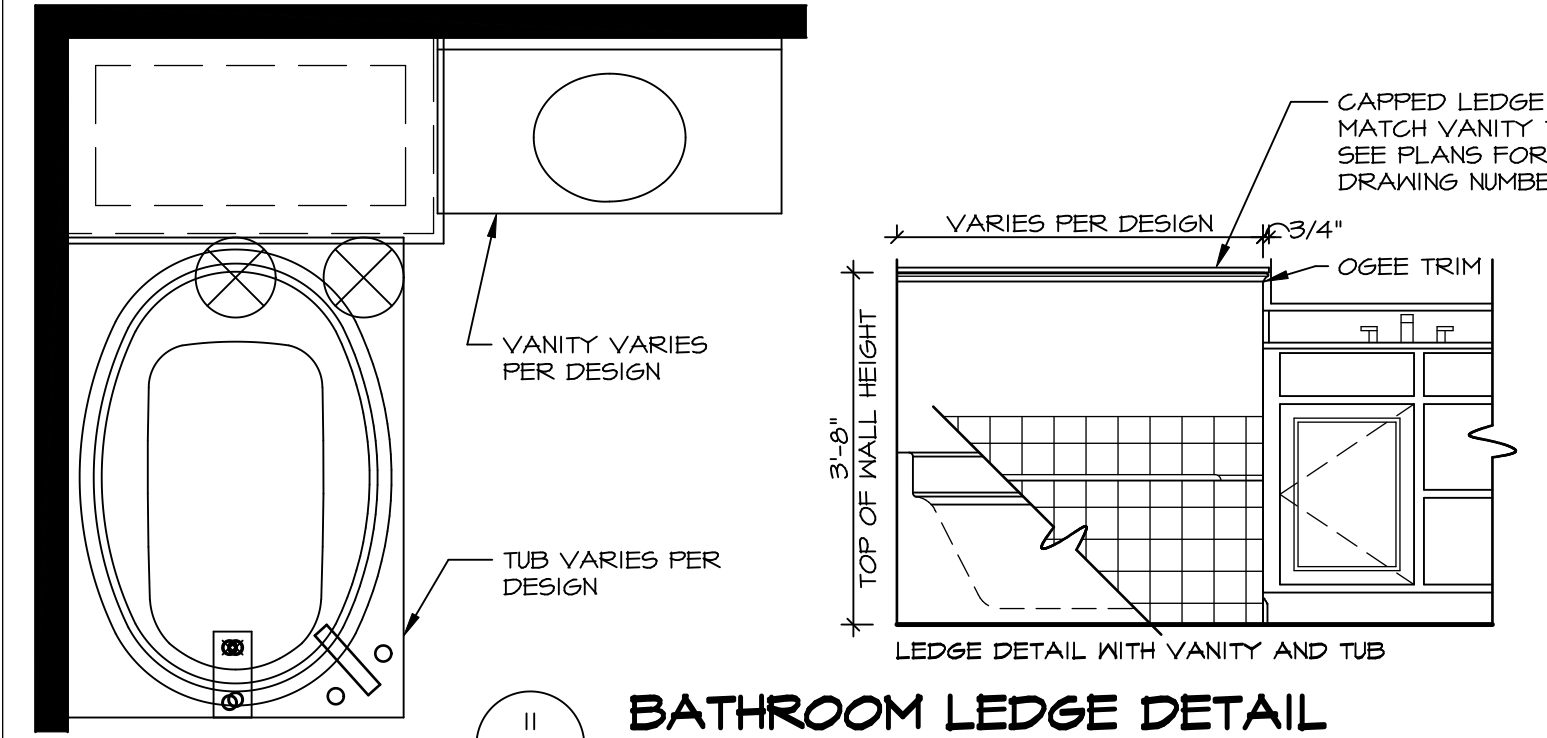
**11 ALTERNATE SHOWER PAN DETAIL**



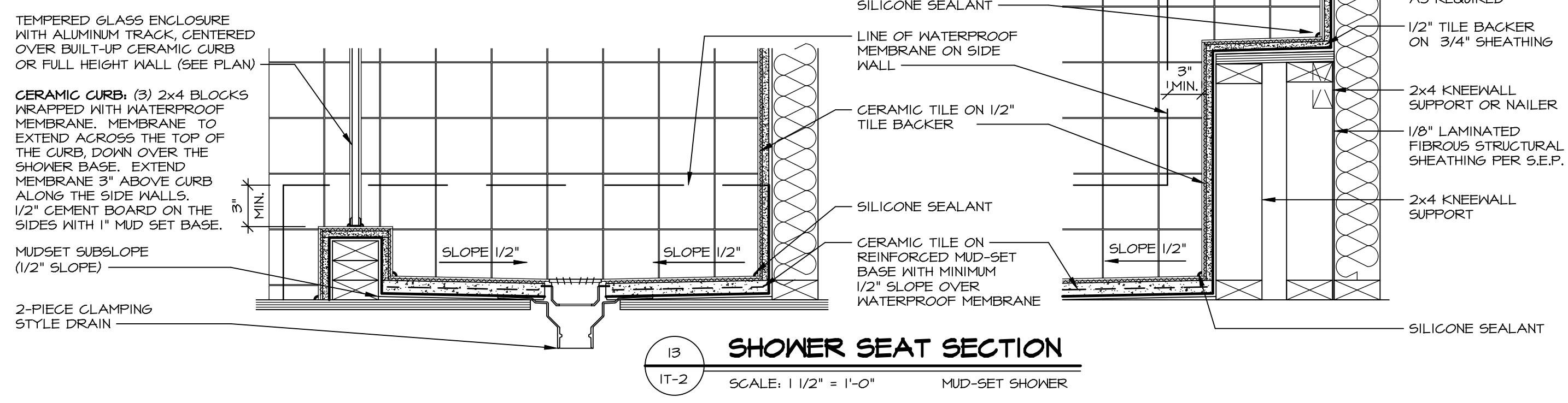
**12 BATHROOM LEDGE DETAIL**  
SCALE: 1/2" = 1'-0"



**13 SILL DETAIL**  
SCALE: 1" = 1'-0"



**14 BATHROOM LEDGE DETAIL**  
SCALE: 1/2" = 1'-0"

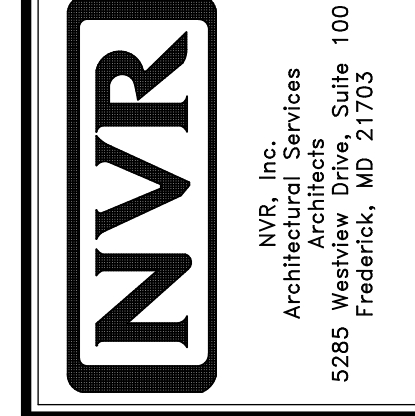


**15 SHOWER SEAT SECTION**  
SCALE: 1 1/2" = 1'-0" MUD-SET SHOWER

REVISIONS

REV. NO.	DATE	DESCRIPTION
1	5/11/17	EBP - REVISED DETAIL 1 AND 11 TO REMOVE TUB ACCESS PANEL REF. (095 #15 3/4) 4
2	9/21/17	EBP - REVISED T-FLY NOTE TO CALL OUT LFS
3	9/21/17	EBP - REVISED NOTE ON DETAIL #1 - REVISED ORDER OF MATERIAL PARA#49304
4	8/28/18	EBP - DTL 8 / 19 ME REMOVED THE 2X6 BULKING AT BASE OF SHWR REQUEST #4663

NVR, Inc., owner, expressly reserves its common law copyright and other property rights in these plans. These plans are not to be copied, reproduced, or otherwise used in any way without the prior written consent of NVR, Inc.



SET NO. NVR

MODEL STANDARD DETAILS

DRAWING TITLE INTERIOR TRIM DETAILS

BATH DETAILS

OPTION DESCRIPTION

SHEET NO. IT-2

DATE: 03/05/19

12:33 pm