

FIRST FLOOR PLAN
SCALE: 1/4" = 1'-0"

FLOOR PLAN NOTES

- ALL HEADERS ARE (2) 2x6 w/ 2x4 WALLS OR (3) 2x6 w/ 2x6 WALLS, UNLESS OTHERWISE NOTED.
- ALL HEADERS TO HAVE (1) 2x4 OR 2x6 JACK AND KING STUD EACH END, UNLESS OTHERWISE NOTED.
- ALL EXTERIOR WALLS TO BE 4" w/ OSB OR 3 1/2" w/ LAMINATED FIBROUS STRUCTURAL SHEATHING; ALL INTERIOR WALLS TO BE 3 1/2", UNLESS OTHERWISE NOTED.
- HATCHED AREAS INDICATE DROPPED CEILINGS. ALL DROPPED CEILINGS ARE 12" UNLESS OTHERWISE NOTED.
- SEE "BRACED WALL PANEL DETAIL SHEET" FOR SPECIAL WALL FRAMING LOCATIONS AND HEADER SIZES, IF APPLICABLE.
- SEE STANDARD DETAIL CATEGORY "IT" SHEET(S) FOR INTERIOR TRIM DETAILS.
- SEE ARCHITECTURAL DETAIL SHEET "AD" FOR HOUSE SPECIFIC INTERIOR TRIM OPTION TABLE.
- ALL WINDOWS HAVE 7'-0" 1/2" HEADER HEIGHT UNLESS OTHERWISE NOTED.
- ALL HEADERS IN NON-BEARING WALLS SHALL BE A SINGLE FLAT 2x4 OR 2x6 ATTACHED TO CRIPPLES ABOVE, UNLESS OTHERWISE NOTED.
- TANKED WATER HEATER SHOWN AS BASE CONDITION. OPTIONAL TANKLESS WATER HEATER IS AVAILABLE IN LIEU OF TANKED WATER HEATER.

GYPHUM NOTES

AT GARAGE:
GYPSUM BOARD AT COMMON WALLS, CEILING, BEAM WRAPS AND SUPPORTS PER STANDARD DETAIL FA-10b) FIRE ASSEMBLIES OR AS REQUIRED BY LOCAL CODE.

AT STAIRS:
1/2" GYPHUM BOARD AT UNDERSIDE OF STAIRS AND WALLS IN CLOSET

LEGEND

- BEARING WALL
 - NON BEARING WALL
 - INDICATES BEARING FROM POINT-LOAD ABOVE
 - JACKS
 - BEAM/HEADER
 - PAD FOOTING
 - STEEL COLUMN
 - PORTAL FRAME
 - JOIST/TRUSS
 - LVL
 - ENGINEERING PAGE NUMBER
- SEE FC DETAILS FOR FRAMING CONNECTORS

NOTE:

EXTERIOR WALLS DRAWN TO FRAMING WIDTH, EXTERIOR SHEATHING IS NOT INCLUDED IN WALL THICKNESS.

FIRST FLOOR JACK SCHEDULE

| IDENTIFIER | DESCRIPTION | OPTIONS | ENG. NUM. | REMARKS |
|------------|---------------------------------|---------------|------------|---------|
| J101 | JACK - (4) 2X4 SFF#1 | | 1031 | |
| J102 | JACK - (4) 2X4 SFF#1 | GCB, GCF | 1031 | |
| J103 | JACK - (4) 2X4 SFF#1 | | 1027 | |
| J104 | JACK - (4) 2X6 SFF#1 STUD GRADE | | 1027 | |
| J105 | JACK - (5) 2X4 SFF#1 STUD GRADE | EVA | 1033 | |
| J106 | JACK - (5) 2X4 SFF#1 STUD GRADE | GCB, GCF, EVA | 1033 | |
| J104 | JACK - (2) 2X4 SFF#1 STUD GRADE | ELA, ELK | 1036 | |
| J110 | JACK - (2) 2X4 SFF#1 STUD GRADE | ELA, ELK | 1036 | |
| J114 | JACK - (2) 2X4 SFF#1 STUD GRADE | GCB, GCF | 1050 | |
| J115 | JACK - (2) 2X4 SFF#1 STUD GRADE | GCB, GCF | 1050 | |
| J116 | JACK - (2) 2X4 SFF#1 STUD GRADE | | 1057 | |
| J117 | JACK - (2) 2X4 SFF#1 STUD GRADE | | 1057 | |
| J124 | JACK - (2) 2X4 SFF#1 STUD GRADE | GCB, GCF | 1010 | |
| J124 | JACK - (3) 2X4 SFF#1 | | 2000 | |
| J130 | JACK - (5) 2X4 SFF#1 | GCB, GCF | 1034, 2000 | |
| J135 | JACK - (2) 2X4 SFF#1 STUD GRADE | | 1023 | |
| J136 | JACK - (2) 2X4 SFF#1 STUD GRADE | | 1023 | |

LVL PLY TO PLY FASTENING SCHEDULE: (WHERE APPLICABLE BASED ON LVL USAGE)

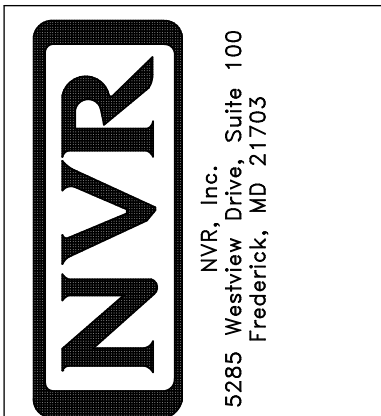
- (2) FLY UP TO AND INCLUDING 11 7/8" TALL; FASTEN PLYS W/ (2) ROWS 16D NAILS AT 12" O.C. OR ALT 1 1/2" WIDE LVL FASTEN PLYS W/ (3) ROWS 12D NAILS AT 12" O.C.
- (2) FLY 14" TO AND INCLUDING 18" TALL (INCLUSIVE); FASTEN PLYS W/ (3) ROWS 16D NAILS AT 12" O.C. OR ALT 1 1/2" WIDE LVL FASTEN PLYS W/ (4) ROWS 12D NAILS AT 12" O.C.
- (2) FLY 20" TALL AND OVER; FASTEN PLYS W/ (4) ROWS 16D NAILS AT 12" O.C. OR ALT 1 1/2" WIDE LVL FASTEN PLYS W/ (5) ROWS 12D NAILS AT 12" O.C.
- (3) FLY UP TO AND INCLUDING 11 7/8" TALL; FASTEN PLYS W/ (2) ROWS 16D NAILS AT 12" O.C. FROM EACH SIDE OR ALT 1 1/2" WIDE LVL FASTEN PLYS W/ (3) ROWS 12D NAILS AT 12" O.C. FROM EACH SIDE.
- (3) FLY 14" TO AND INCLUDING 18" TALL (INCLUSIVE); FASTEN PLYS W/ (3) ROWS 16D NAILS AT 12" O.C. FROM EACH SIDE OR ALT 1 1/2" WIDE LVL FASTEN PLYS W/ (4) ROWS 12D NAILS AT 12" O.C. FROM EACH SIDE.
- (3) FLY 20" TALL AND OVER; FASTEN PLYS W/ (4) ROWS 16D NAILS AT 12" O.C. FROM EACH SIDE OR ALT 1 1/2" WIDE LVL FASTEN PLYS W/ (5) ROWS 12D NAILS AT 12" O.C. FROM EACH SIDE.
- (4) PLY (ALL SIZES); FASTEN PLYS W/ (2) ROWS 1/2" DIAMETER A307 BOLTS AT 24" O.C. SEE SHOP DRAWING FOR ADDITIONAL INFORMATION.

FIELD INSTALLED FIRST FLOOR BEAM/HEADER SCHEDULE

| IDENTIFIER | DESCRIPTION | LENGTH | OPTIONS | ENG. NUM. | REMARKS |
|------------|---------------------|-------------|----------|-----------|-----------------|
| B101 | BEAM STEEL - #10X26 | 18'-8" | | 1027 | |
| B102 | BEAM STEEL - #12X14 | 14'-11 3/8" | SXC | 1031 | |
| B103 | BEAM STEEL - #12X26 | 14'-11 3/8" | EVA | 1033 | |
| PFI01-2 | LVL 1.75 - 11-04 | 14'-4" | GCB, GCF | 1050 | PORTAL FRAME 1A |

| REV. NO. | DATE | REMARKS |
|----------|------|---------|
| | | |
| | | |

© NVR, Inc. All rights reserved. The user expressly reserves the right to modify these plans at any time without notice. These plans are not to be reproduced, changed or altered in any way without the written consent of NVR, Inc.



SET NO. HUDCOO
VERSION 01
DRAWN BY SKB
DATE:
OPTION

MODEL: HUDSON
DRAWING TITLE: FIRST FLOOR PLAN
OPTION DESCRIPTION

NOTE:
EXTERIOR WALLS DRAWN TO FRAMING WIDTH, EXTERIOR SHEATHING IS NOT INCLUDED IN WALL THICKNESS.

LEGEND

| | |
|--|---|
| | BEARING WALL |
| | NON BEARING WALL |
| | INDICATES BEARING FROM POINT-LOAD ABOVE |
| | JACKS |
| | BEAM/HEADER |
| | PAD FOOTING |
| | STEEL COLUMN |
| | PORTAL FRAME |
| | JOIST/TRUSS |
| | LVL |
| | ENGINEERING PAGE NUMBER |

SEE FC DETAILS FOR FRAMING CONNECTORS

FLOOR PLAN NOTES

- ALL HEADERS ARE (2) 2x6 W/ 2x4 WALLS OR (3) 2x6 W/ 2x6 WALLS, UNLESS OTHERWISE NOTED.
- ALL HEADERS TO HAVE (1) 2x4 OR 2x6 JACK AND KING STUD EACH END, UNLESS OTHERWISE NOTED.
- ALL EXTERIOR WALLS TO BE 4" W/ OSB OR 3 1/2" W/ LAMINATED FIBROUS STRUCTURAL SHEATHING, ALL INTERIOR WALLS TO BE 3 1/2", UNLESS OTHERWISE NOTED.
- HATCHED AREAS INDICATE DROPPED CEILINGS. ALL DROPPED CEILINGS ARE 12" UNLESS OTHERWISE NOTED.
- SEE 'BRACED WALL PANEL DETAIL SHEET' FOR SPECIAL WALL FRAMING LOCATIONS AND HEADER SIZES, IF APPLICABLE.
- SEE STANDARD DETAIL CATEGORY '11" SHEET(S) FOR INTERIOR TRIM DETAILS.
- SEE ARCHITECTURAL DETAIL SHEET 'AD' FOR HOUSE SPECIFIC INTERIOR TRIM OPTION TABLE.
- ALL WINDOWS HAVE 1"-0 1/2" HEADER HEIGHT UNLESS OTHERWISE NOTED.
- ALL HEADERS IN NON-BEARING WALLS SHALL BE A SINGLE FLAT 2x4 OR 2x6 ATTACHED TO CRIPPLES ABOVE, UNLESS OTHERWISE NOTED.
- TANKED WATER HEATER SHOWN AS BASE CONDITION, OPTIONAL TANKLESS WATER HEATER IS AVAILABLE IN LIEU OF TANKED WATER HEATER.

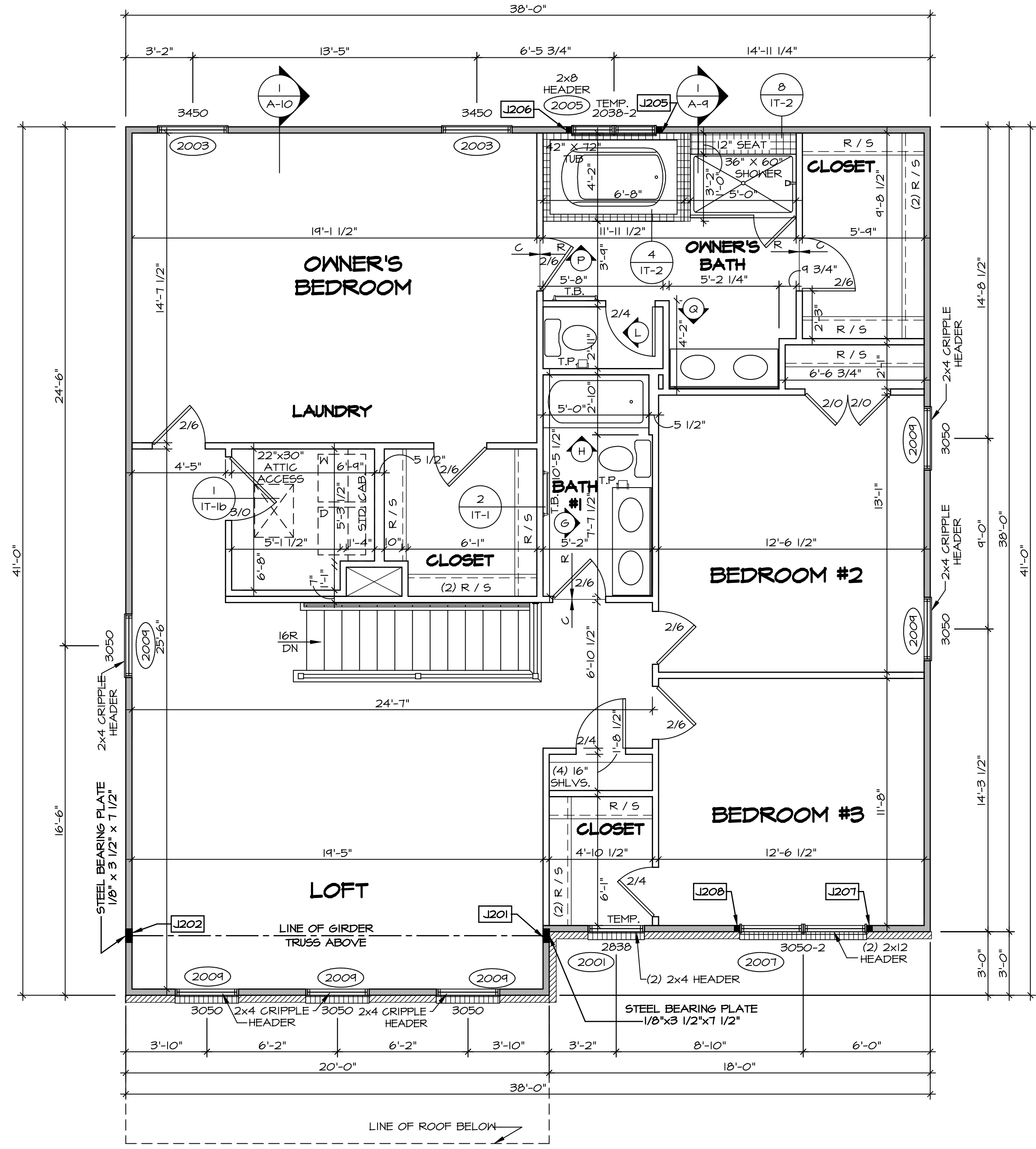
GYPSUM NOTES

AT GARAGE:
GYPSUM BOARD AT COMMON WALLS, CEILING, BEAM WRAPS AND SUPPORTS PER STANDARD DETAIL FA-1(b) FIRE ASSEMBLIES OR AS REQUIRED BY LOCAL CODE.

AT STAIRS:
1/2" GYPSUM BOARD AT UNDERSIDE OF STAIRS AND WALLS IN CLOSET

SECOND FLOOR JACK SCHEDULE

| IDENTIFIER | DESCRIPTION | OPTIONS | ENG. NUM. | REMARKS |
|------------|-------------------------------|--------------------|-----------|--|
| J201 | JACK - (5) 2X4 SFFH | ELA, ELK | 2000 | EXTEND THROUGH TOP PLATE W/ STEEL BEARING PLATE 1/8" x 3 1/2" x 7 1/2" |
| J202 | JACK - (5) 2X4 SFFH | | 2000 | EXTEND THROUGH TOP PLATE W/ STEEL BEARING PLATE 1/8" x 3 1/2" x 7 1/2" |
| J205 | JACK - (2) 2X4 SFF STUD GRADE | AMF | 2005 | |
| J206 | JACK - (2) 2X4 SFF STUD GRADE | AMF | 2005 | |
| J207 | JACK - (2) 2X4 SFF STUD GRADE | ELA, ELB, ELK, ELL | 2007 | |
| J208 | JACK - (2) 2X4 SFF STUD GRADE | ELA, ELB, ELK, ELL | 2007 | |



SECOND FLOOR PLAN
SCALE: 1/4" = 1'-0"

REMARKS

| | |
|----------|------|
| REV. NO. | DATE |
| | |
| | |
| | |

© NVR, Inc. expressly reserves the right to modify these plans at any time without notice. These plans are not to be reproduced, changed or altered in any way without the written consent of NVR, Inc.

NVR
NVR, Inc. Suite 100
5285 Westlakes Blvd
Frederick, MD 21703

SET NO. HUDCO
VERSION 01
DRAWN BY SKB
DATE:
OPTION

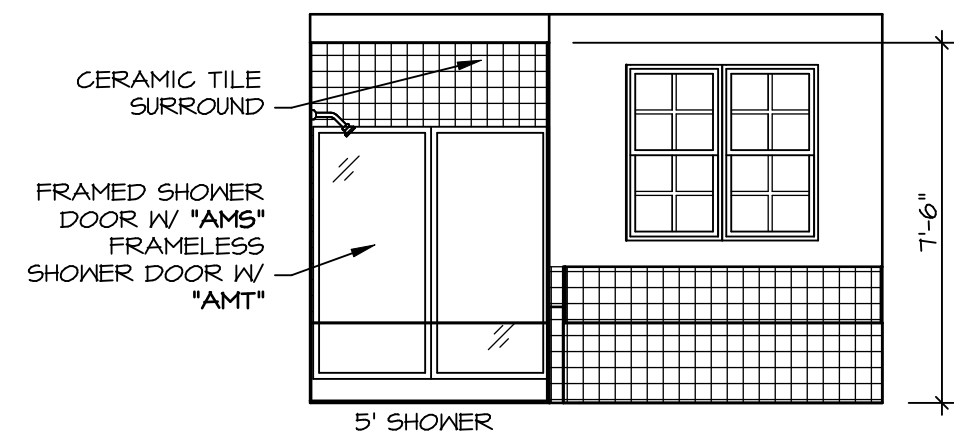
MODEL
HUDSON
DRAWING TITLE
SECOND FLOOR PLAN
OPTION DESCRIPTION

SHEET NO.
A-8
38

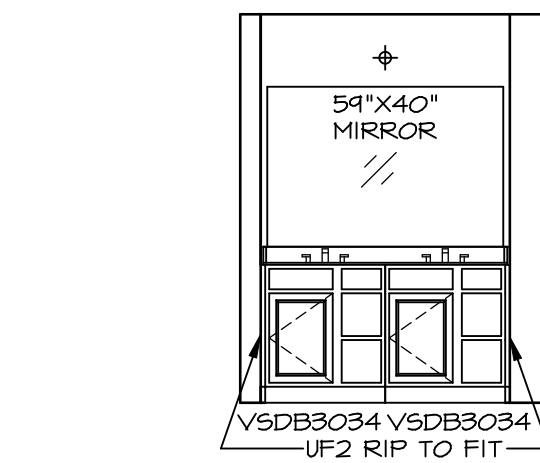
C:\NVR\Solves\HUDSON_HUDDO_01\DC1-TE-0050\129155A\Sheets\01_Spec\A-8_A-8_PLN2_LS.dwg 07/09/19 - 5:31 am

NOTES:

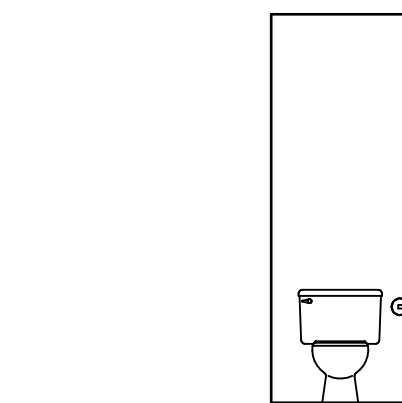
1. TEMPERED GLASS SHOWER ENCLOSURE WITH SWING DOOR OR OPTIONAL SLIDING DOOR BY DIVISION
2. TUB ACCESS PANELS PROVIDED AS NEEDED, ALL MATERIALS BY DIVISION
3. REFER TO SHEET D-XX FOR TUB AND SHOWER DETAILS.
4. ALL VSDB24-42 DRAWERS TO BE SET ON RIGHT HAND.
5. ALL BATH ELEVATIONS ARE SHOWN PER PLAN.



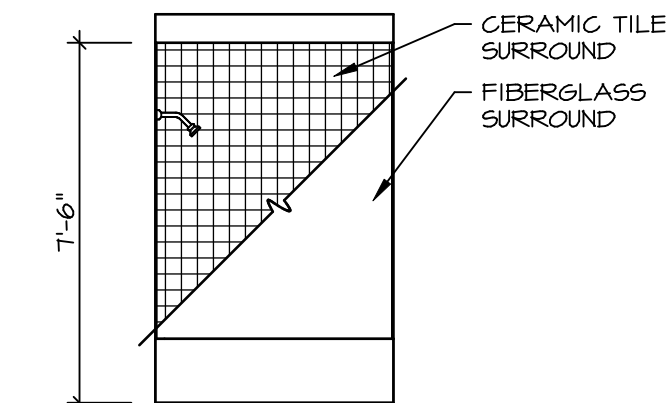
Q **OWNER'S BATH**
SCALE: 1/4" = 1'-0" OWNER'S BATH SOAKING TUB & SHOWER *AMF*



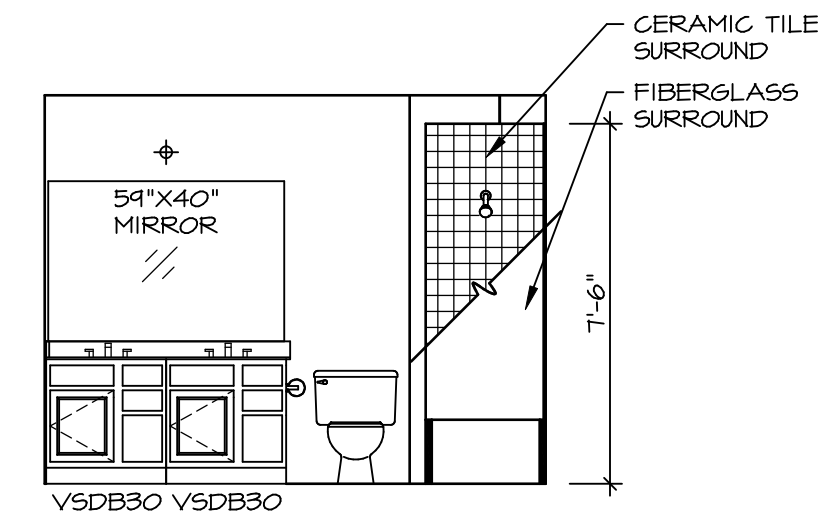
P **OWNER'S BATH**
SCALE: 1/4" = 1'-0" OWNER'S BATH SOAKING TUB & SHOWER *AMF*



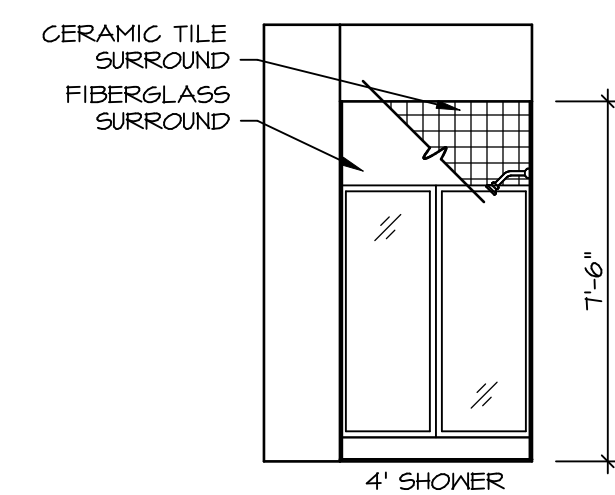
L **OWNER'S BATH**
SCALE: 1/4" = 1'-0" OWNER'S BATH N.C.



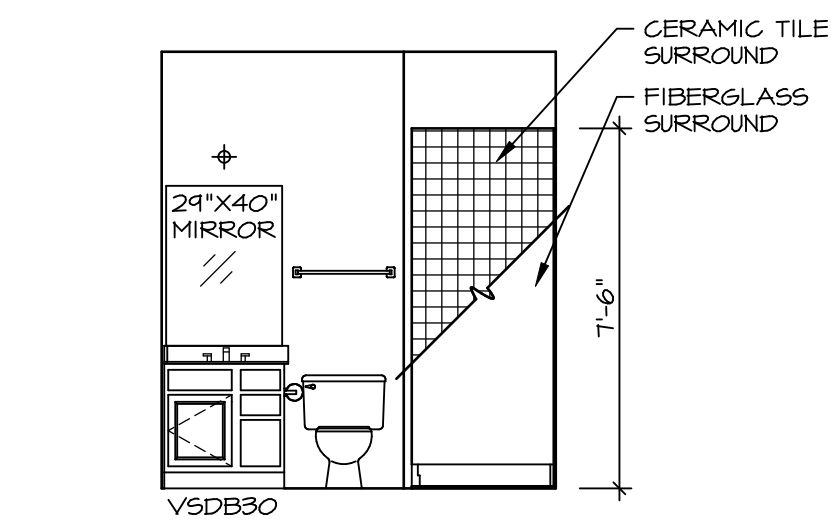
H **BATH #1**
SCALE: 1/4" = 1'-0"



G **BATH #1**
SCALE: 1/4" = 1'-0"



D **FIRST FLOOR BATH**
SCALE: 1/4" = 1'-0" BEDROOM FIRST FLOOR *BAR*

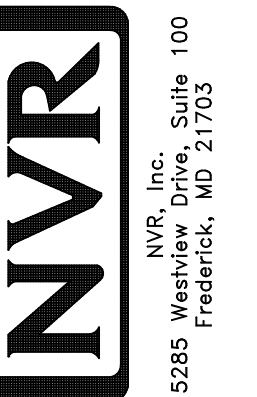


C **FIRST FLOOR BATH**
SCALE: 1/4" = 1'-0" BEDROOM FIRST FLOOR *BAR*

REMARKS

REV. NO. DATE

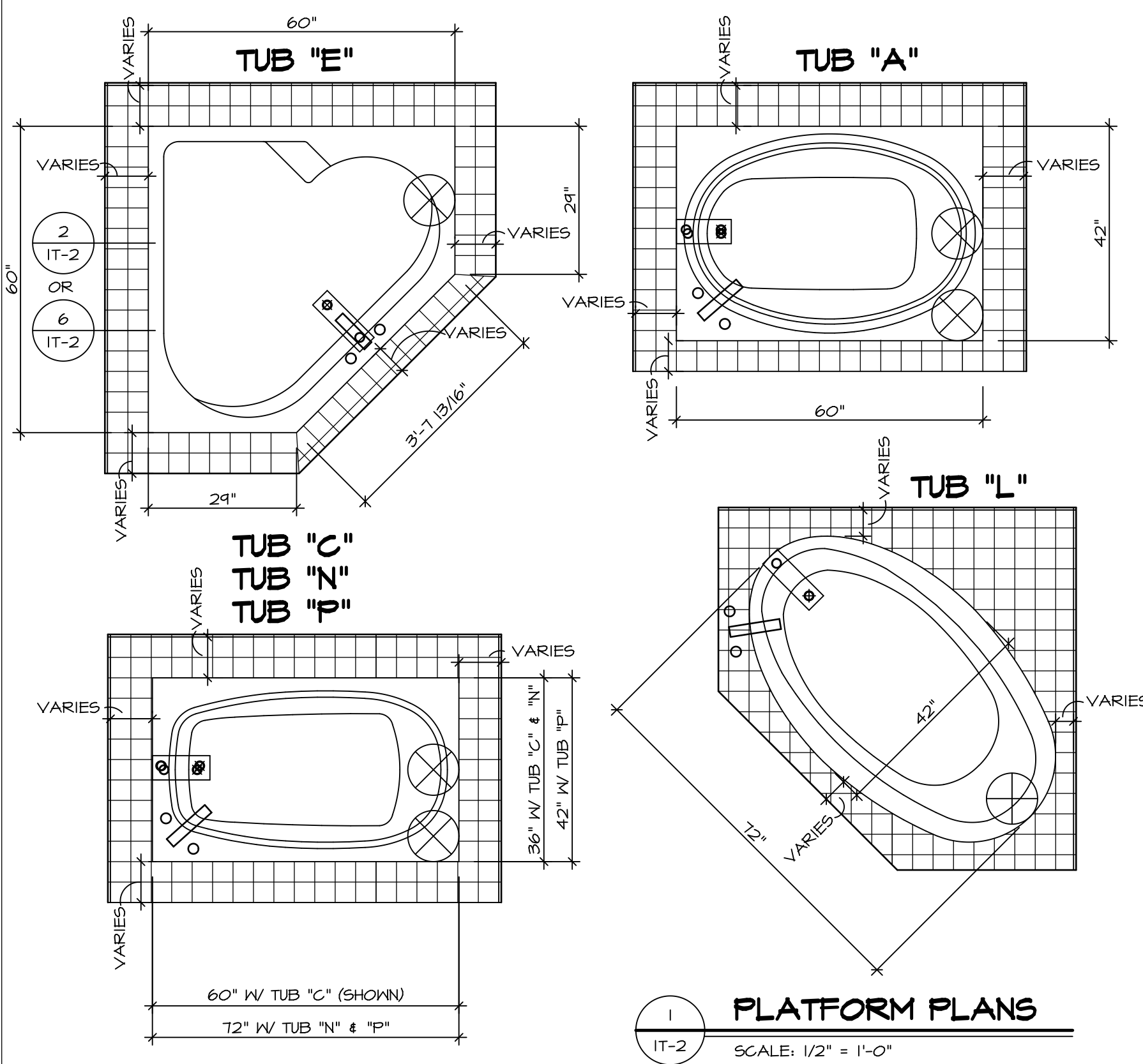
© NVR, Inc. All rights reserved. The owner expressly reserves the right to modify or change these plans at any time without notice. These plans are not to be reproduced, changed or copied in any way without the written consent of NVR, Inc.



SET NO. HUDCO
VERSION 01
DRAWN BY SKB
DATE:
OPTION

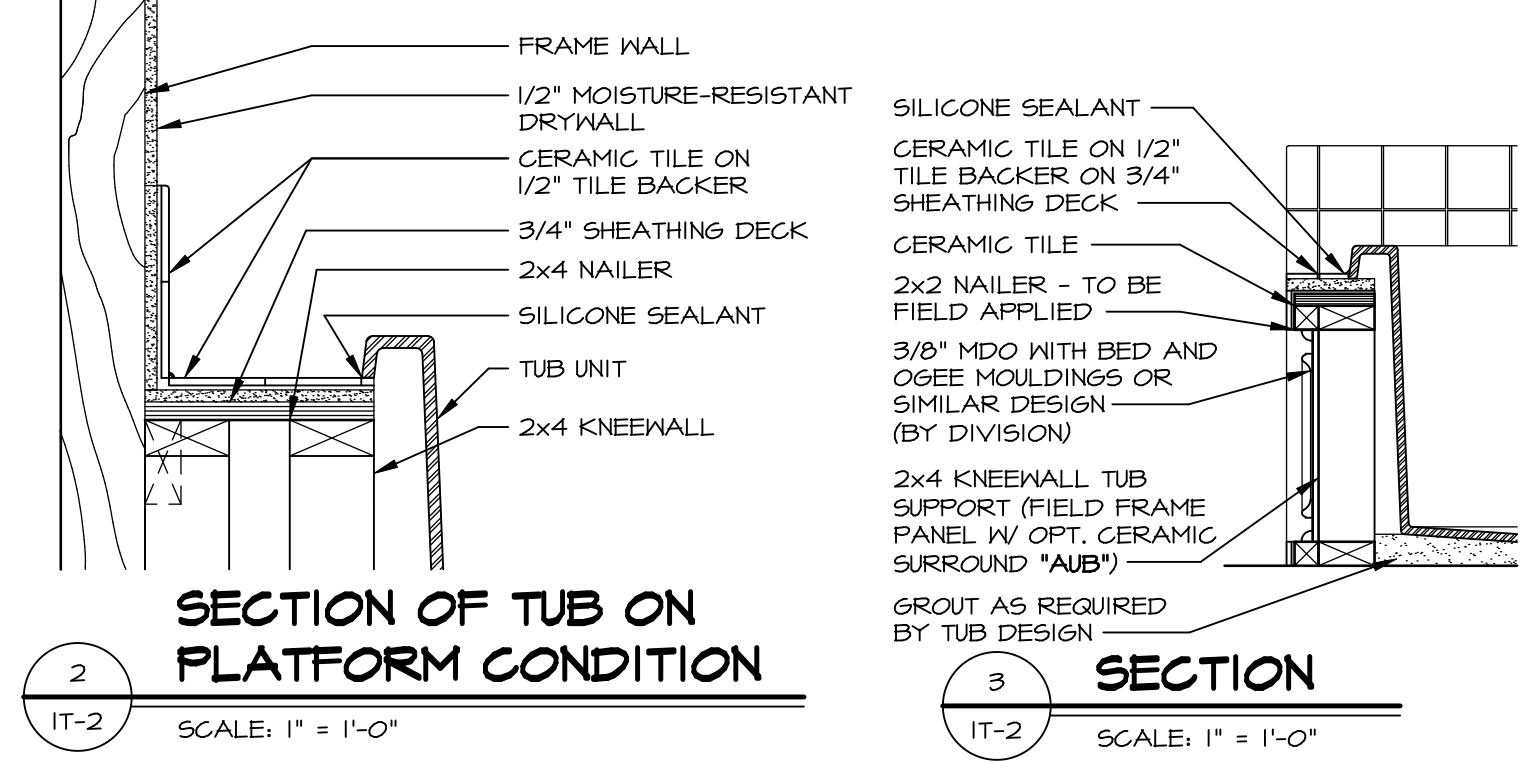
MODEL
HUDSON
DRAWING TITLE
BATH ELEVATIONS
OPTION DESCRIPTION

SHEET NO.
A-13
60

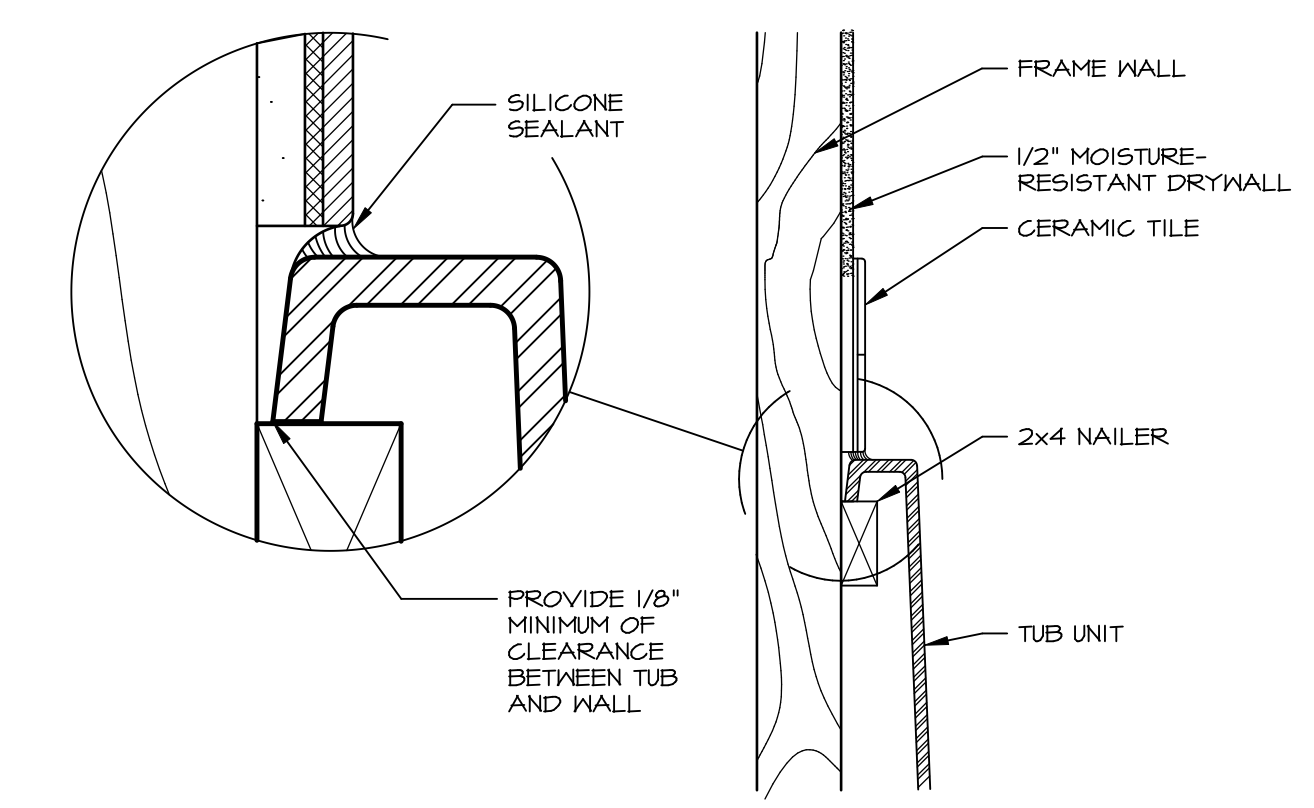


1 PLATFORM PLANS
IT-2 SCALE: 1/2" = 1'-0"

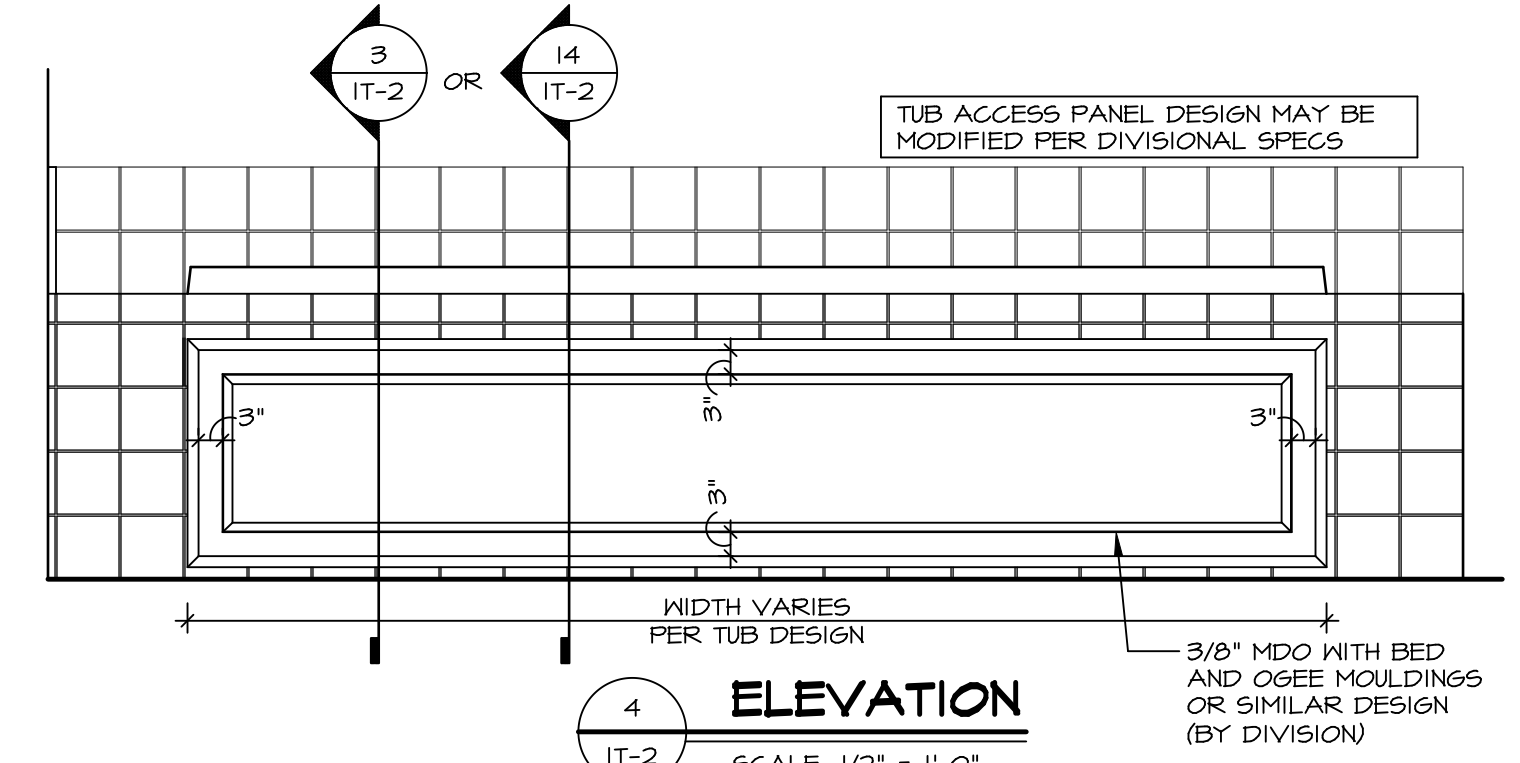
| TUB | MANUF. | HEIGHT | WIDTH | LENGTH | TUB DECK PANEL HEIGHT |
|-----|------------------|---------|-------|--------|-----------------------|
| "A" | KOHLER/ STERLING | 18 3/4" | 42" | 60" | 17 1/8" |
| "C" | KOHLER/ STERLING | 18 3/4" | 36" | 60" | 17 1/8" |
| "E" | KOHLER/ STERLING | 19 1/2" | 60" | 60" | 17 7/8" |
| "L" | KOHLER/ STERLING | 18 1/2" | 42" | 72" | 16 7/8" |
| "N" | KOHLER/ STERLING | 18 3/4" | 36" | 72" | 17 1/8" |
| "P" | KOHLER/ STERLING | 18 3/4" | 42" | 72" | 17 1/8" |



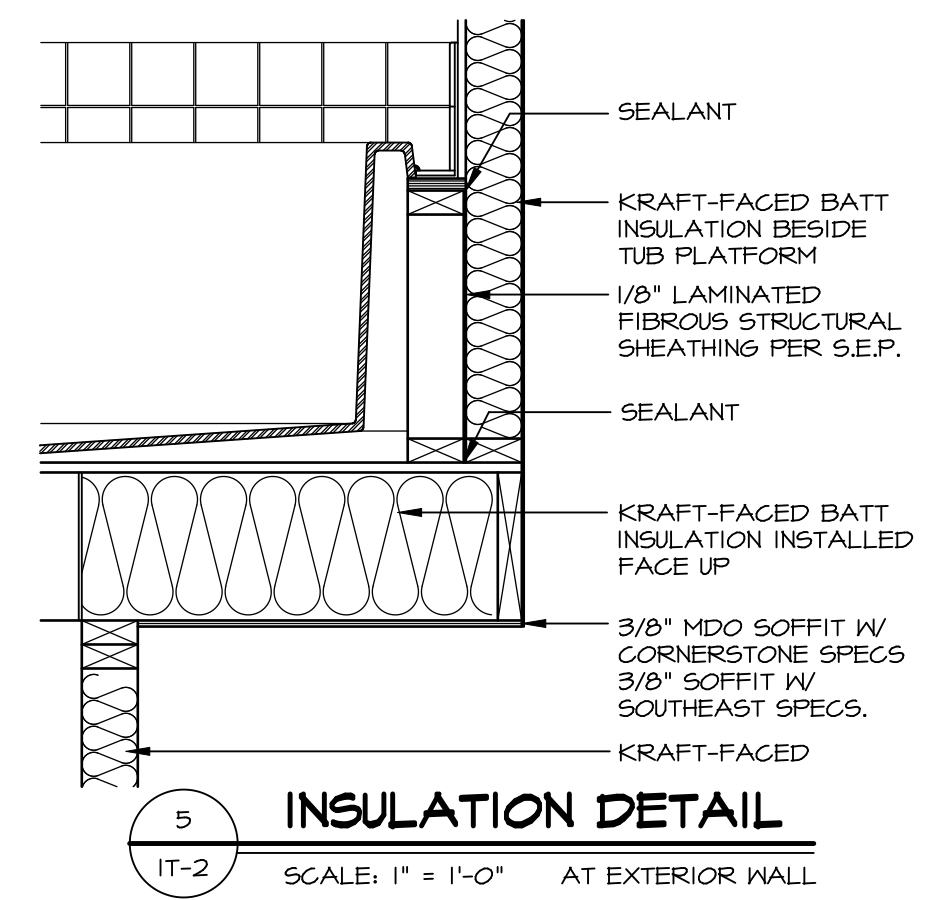
2 SECTION OF TUB ON PLATFORM CONDITION
IT-2 SCALE: 1" = 1'-0"



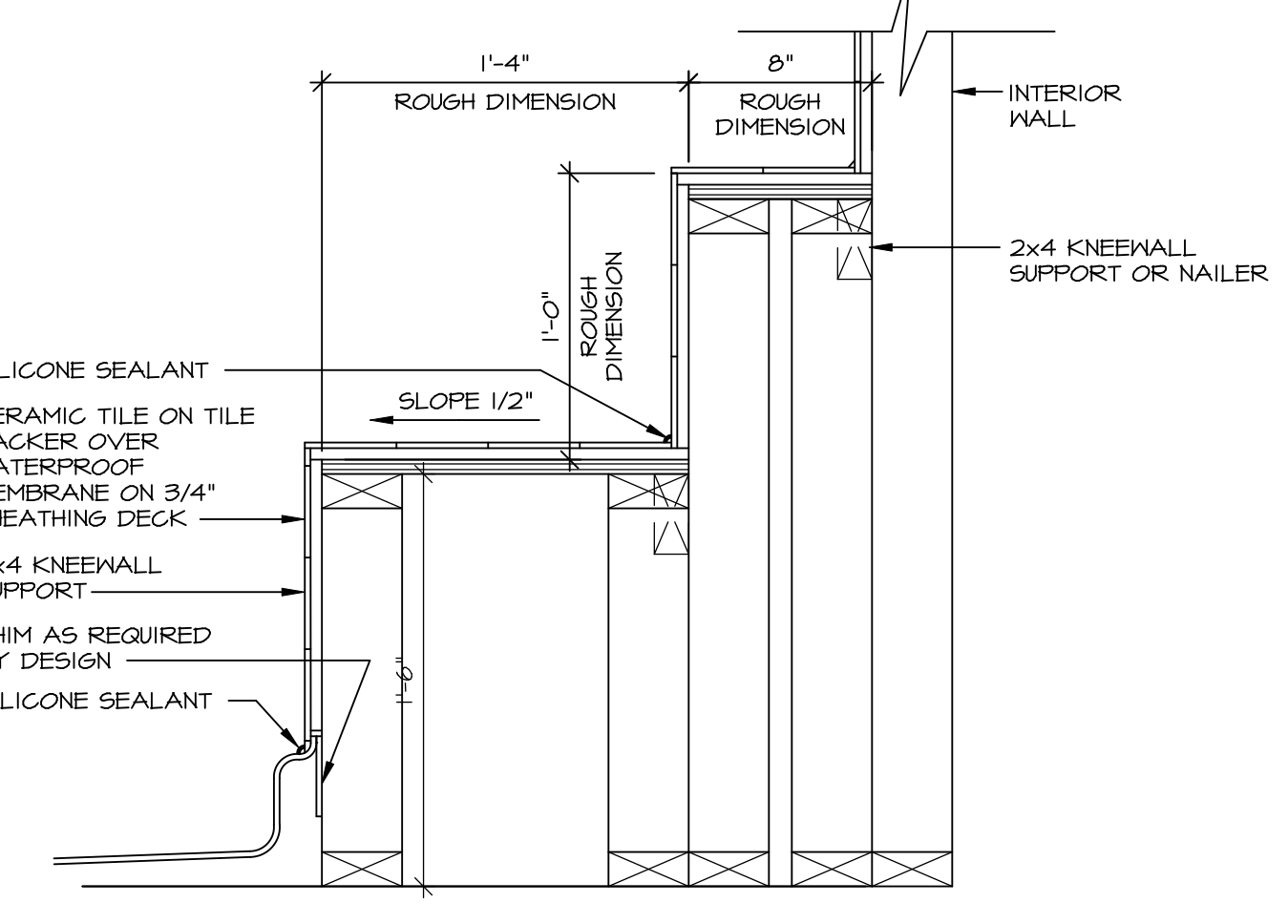
3 SECTION OF TUB TO WALL CONDITION
IT-2 SCALE: 1 1/2" = 1'-0"



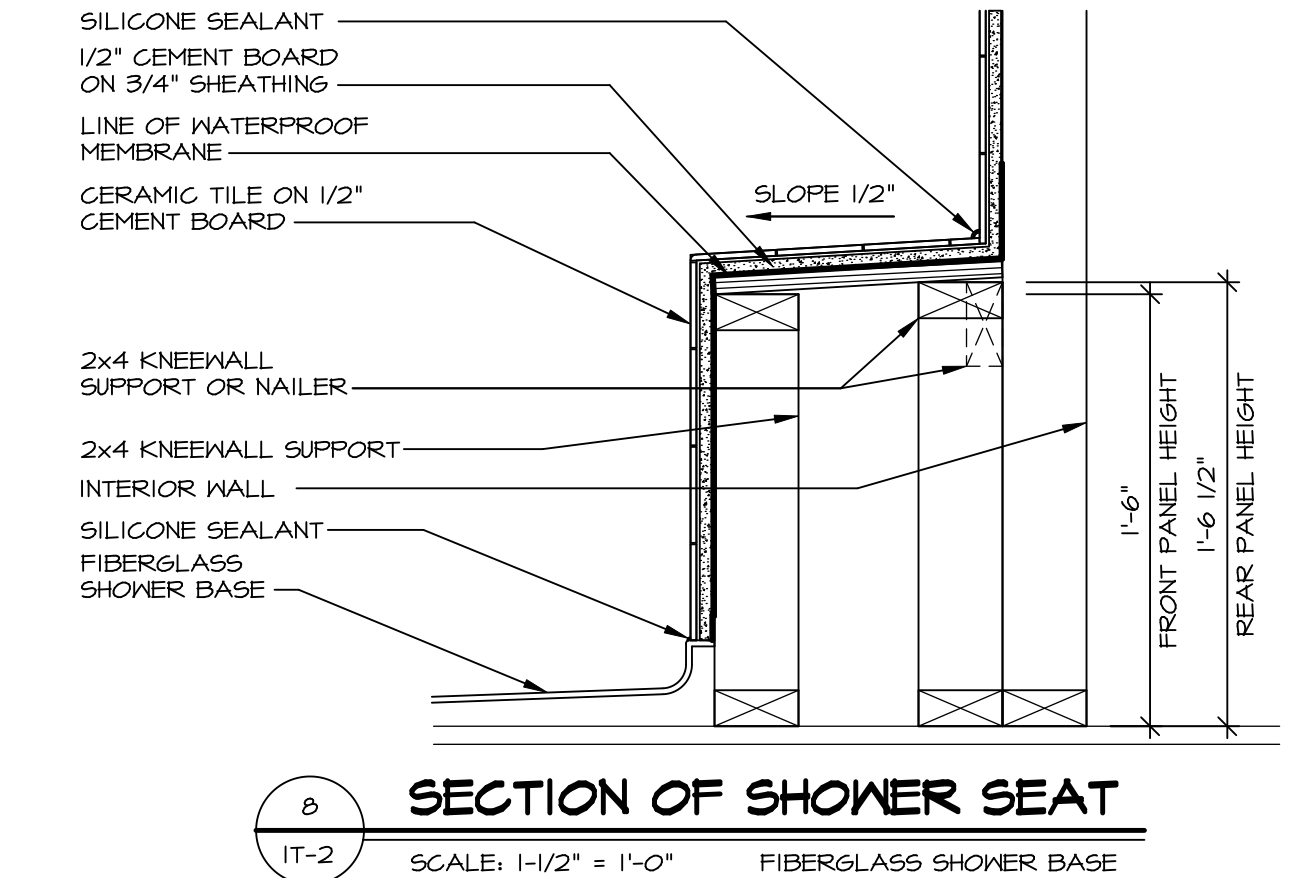
4 ELEVATION
IT-2 SCALE: 1/2" = 1'-0"



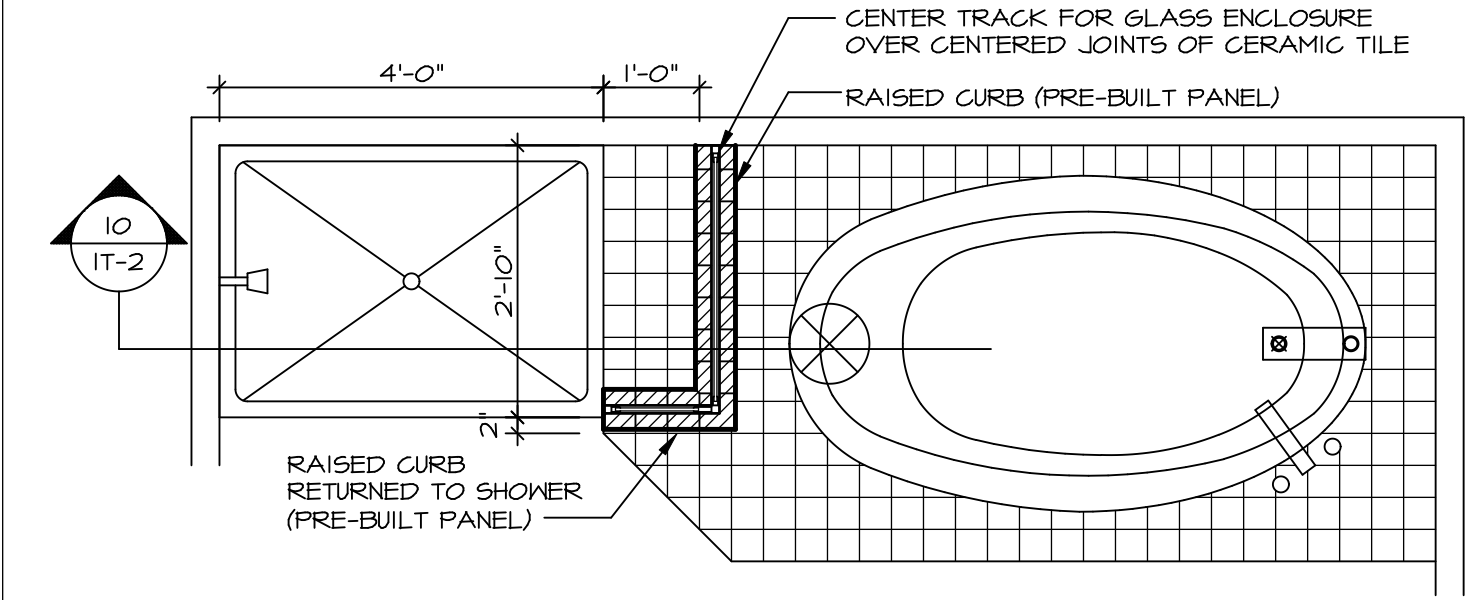
5 INSULATION DETAIL
IT-2 SCALE: 1" = 1'-0" AT EXTERIOR WALL



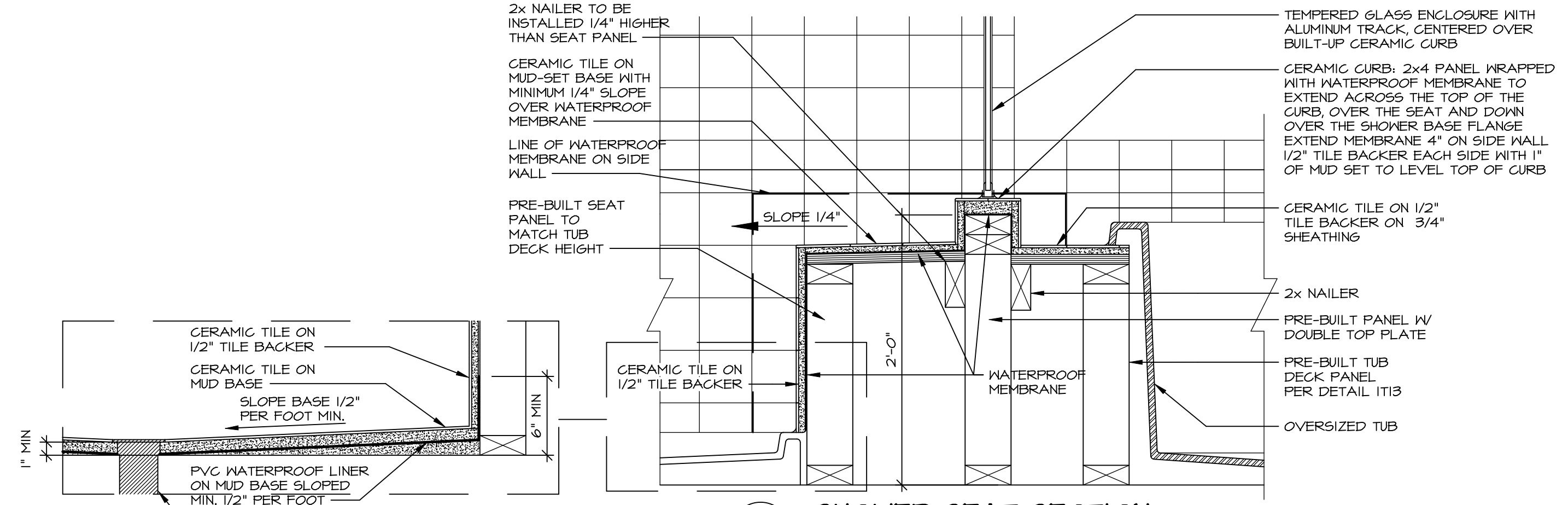
7 SECTION OF SHOWER SEAT AND SHELF
IT-2 SCALE: 1 1/2" = 1'-0"



8 SECTION OF SHOWER SEAT
IT-2 SCALE: 1-1/2" = 1'-0" FIBERGLASS SHOWER BASE



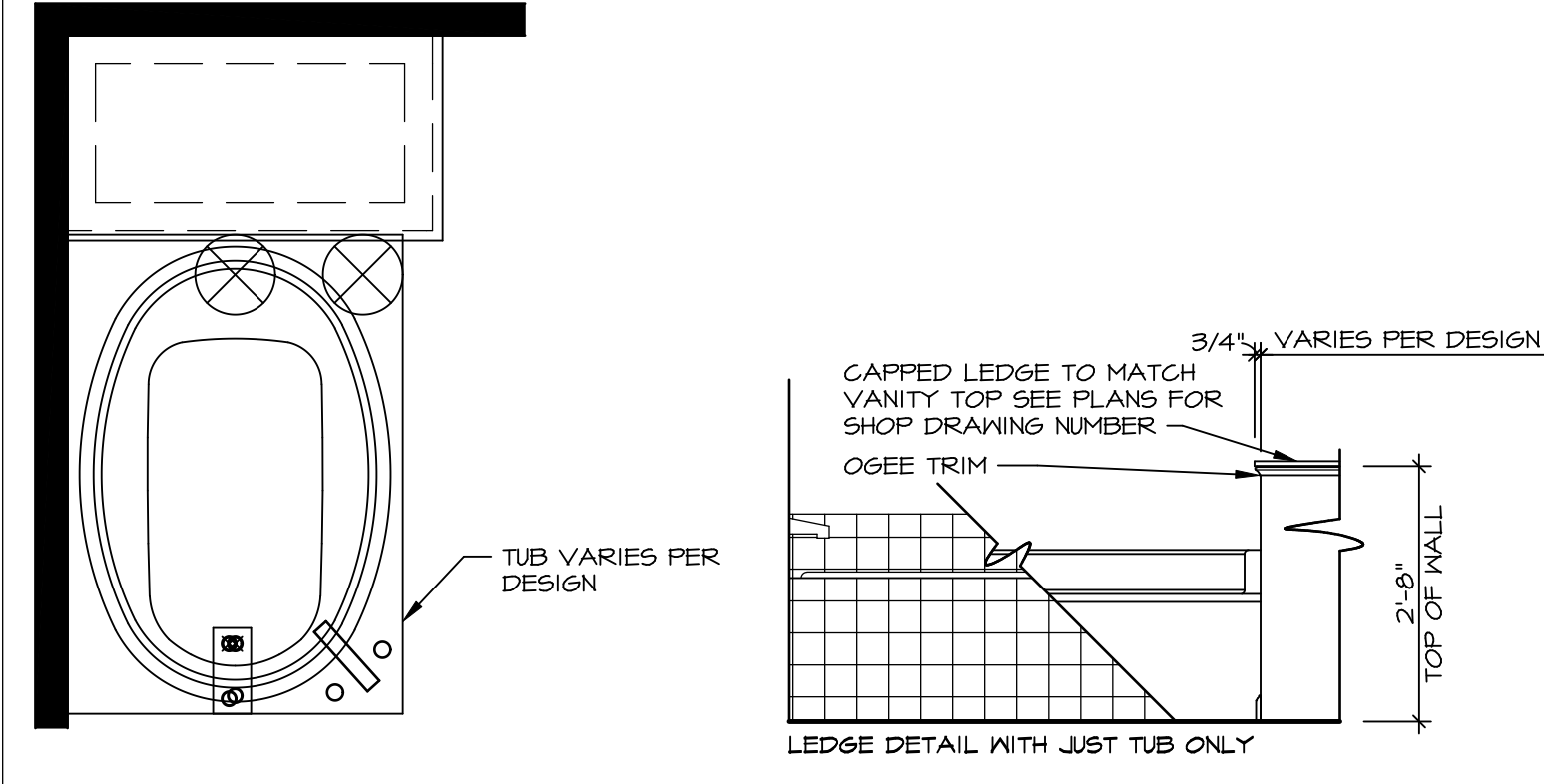
9 SHOWER SEAT PLAN / DETAIL
IT-2 SCALE: 1/2" = 1'-0"



10 SHOWER SEAT SECTION
IT-2 SCALE: 1-1/2" = 1'-0"



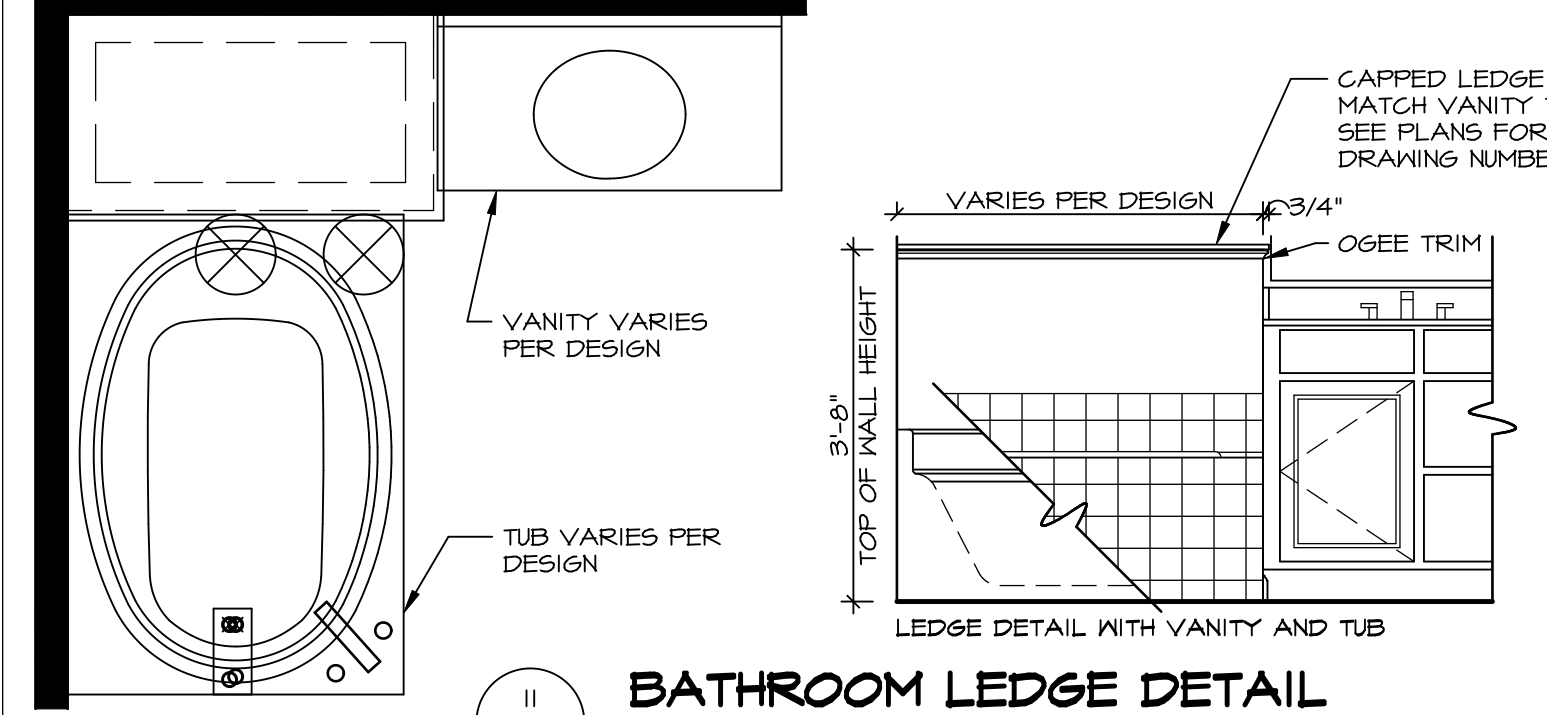
11 ALTERNATE SHOWER PAN DETAIL



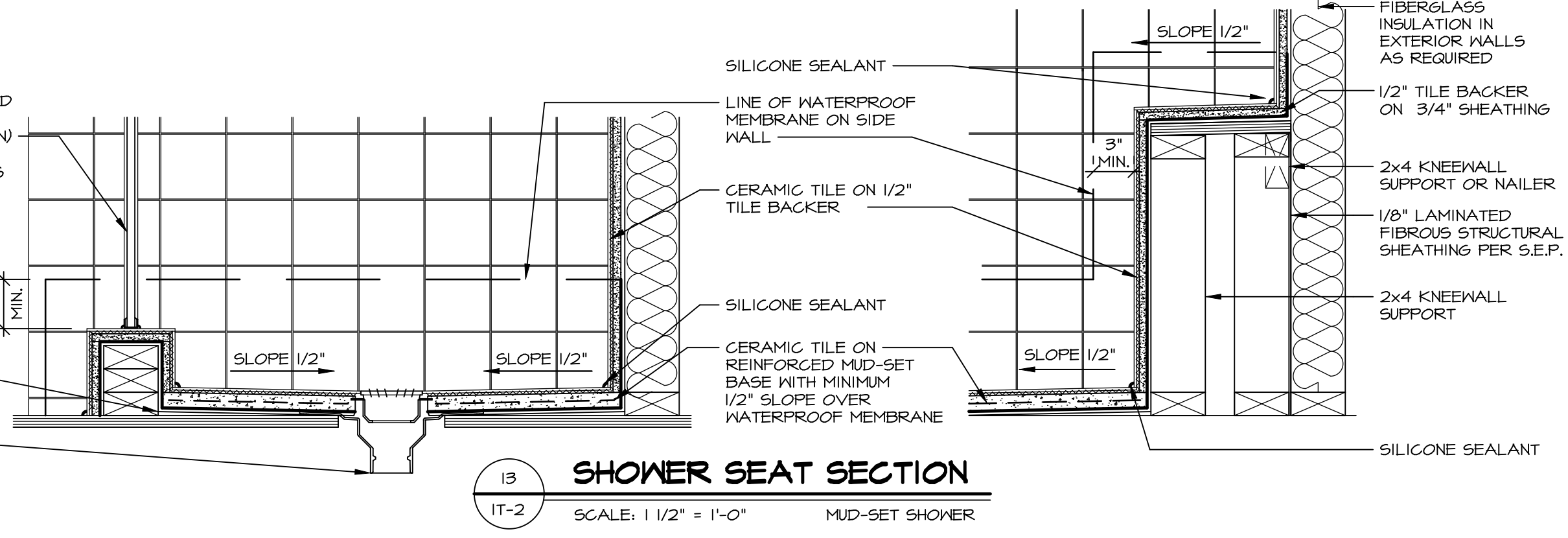
12 BATHROOM LEDGE DETAIL
IT-2 SCALE: 1/2" = 1'-0"



13 SILL DETAIL
IT-2 SCALE: 1" = 1'-0"



14 BATHROOM LEDGE DETAIL
IT-2 SCALE: 1/2" = 1'-0"



15 SHOWER SEAT SECTION
IT-2 SCALE: 1 1/2" = 1'-0" MUD-SET SHOWER

REMARKS

| REV. NO. | DATE | DESCRIPTION |
|----------|---------|--|
| 1 | 5/11/17 | EBP - REVISED DETAIL I AND II TO REMOVE TUB ACCESS PANEL REF. (095 #15 3414) |
| 2 | 9/21/17 | EBP - REVISED T-FLY NOTE TO CALL OUT LFS |
| 3 | 9/21/17 | EBP - REVISED NOTE ON DETAIL #1 - REVISED ORDER OF MATERIAL PARA#49304 |
| 4 | 8/28/18 | EBP - DTL 8 / 19 ME REMOVED THE 2x6 BULKING AT BASE OF SHWR REQUEST #4663 |

NVR, Inc., owner, expressly reserves its common law copyright and other property rights in these plans. These plans are not to be copied, reproduced, or otherwise used in any way without the prior written consent of NVR, Inc.

NVR
NVR, Inc.
Architectural Services
Architects & Interiors
5285 Westpark Drive, Suite 100
Frederick, MD 21703

| SET NO. | VERSION | DATE | OPTION |
|---------|---------|------|--------|
| 1 | 1 | | |

MODEL: STANDARD DETAILS
DRAWING TITLE: INTERIOR TRIM DETAILS
BATH DETAILS
OPTION DESCRIPTION:

SHEET NO. **IT-2**