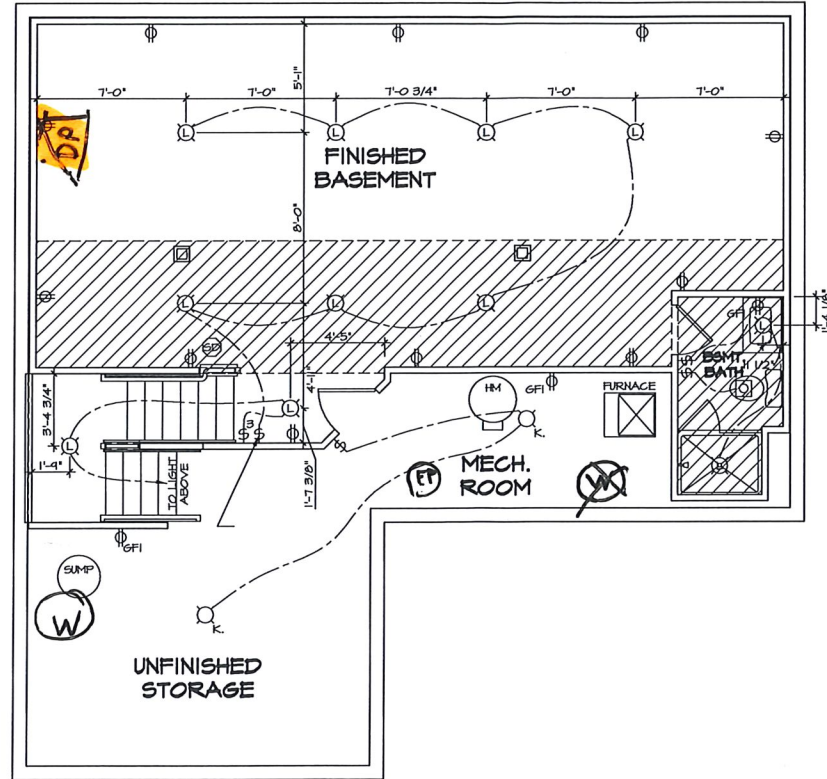


EP - Ejector Pit
 W - Well tank

- NOTES:
1. ALL ELECTRICAL PLANS ARE SCHEMATIC ONLY AND NOT INTENDED AS ENGINEERED DRAWINGS. THESE PLANS REPRESENT THE DESIGN INTENT FOR SWITCH AND RECEPTACLE LOCATIONS. ADDITIONAL INFORMATION, IF REQUIRED, SHALL BE PROVIDED BY A LICENSED ELECTRICAL SUBCONTRACTOR OR ENGINEER.
 2. ALL KITCHEN, GARAGES, UNFINISHED BASEMENT, HETBARS AND ALL OUTDOOR RECEPTACLES ARE TO BE GFI PROTECTED.
 3. PROVIDE DUPLEX RECEPTACLE ON DEDICATED CIRCUIT FOR DISHWASHER IN CABINET UNDER THE SINK.
 4. PROVIDE DUPLEX RECEPTACLE FOR GARBAGE DISPOSAL IN CABINET UNDER THE SINK.
 5. PROVIDE SWITCH W/ KEYLESS LIGHT IN ATTIC SPACE.
 6. PROVIDE SWITCH W/ KEYLESS LIGHT AND GFI RECEPTACLE WHEN HVAC EQUIPMENT IS IN ATTIC SPACE.
 7. PROVIDE ARC-FAULT CIRCUIT INTERRUPTERS TO ALL ROOMS EXCEPT BATH AND EXTERIOR RECEPTACLES.
 8. WASHER ON LEFT, DRYER ON RIGHT (PER PLAN OR REVERSED).
 9. DRYER RECEPTACLE 110 W/ 6AS OR 220 W/ ELECTRIC.

ELECTRICAL LEGEND

⊙	SINGLE POLE SWITCH
⊙	THREE WAY SWITCH
⊙	FOUR WAY SWITCH
⊙	DUPLEX RECEPTACLE
⊙	DUPLEX RECEPTACLE - BOTTOM HALF SWITCHED
⊙	DUPLEX RECEPTACLE - FLOOR MOUNTED
⊙	RECEPTACLE - 220V
⊙	DUPLEX RECEPTACLE - USB
⊙	DUPLEX RECEPTACLE - GROUND FAULT INTERRUPT
⊙	DUPLEX RECEPTACLE - WEATHER PROOF AND GROUND FAULT INTERRUPT
⊙	DUPLEX RECEPTACLE - MICROWAVE
⊙	SMOKE DETECTOR - HIRED IN SERIES
⊙	CARBON MONOXIDE DETECTOR
⊙	EXHAUST FAN MOTOR
⊙	EXHAUST FAN MOTOR WITH LIGHT
⊙	TELEVISION RECEPTACLE
⊙	TELEPHONE RECEPTACLE
⊙	DOOR CHIME
⊙	LIGHT FIXTURE - WALL MOUNTED
⊙	LIGHT FIXTURE - CEILING MOUNTED
⊙	LIGHT FIXTURE - RECESSED
⊙	LIGHT FIXTURE - RECESSED HEATHER PROOF
⊙	LIGHT FIXTURE - CEILING MOUNTED LED
⊙	LIGHT FIXTURE - HANGING
⊙	LIGHT FIXTURE - PENDANT
⊙	LIGHT FIXTURE - FLUORESCENT
⊙	LIGHT FIXTURE - UNDER CABINET LIGHT
⊙	"S" = SMALL "M" = MEDIUM "L" = LARGE
⊙	FULLCHAIN LAMPHOLDER
⊙	KEYLESS LAMPHOLDER



1 BASEMENT ELECTRICAL FLOOR PLAN
 E-1 SCALE: 1/4" = 1'-0"

Model: COLUMBIA
 Drawing Title: BASEMENT ELECTRICAL PLAN
 Option Description: BASEMENT FOUNDATION

SET NO. CUM00
 VERSION 01
 DRAWN BY: CVB
 DATE:
 OPTION: FBA

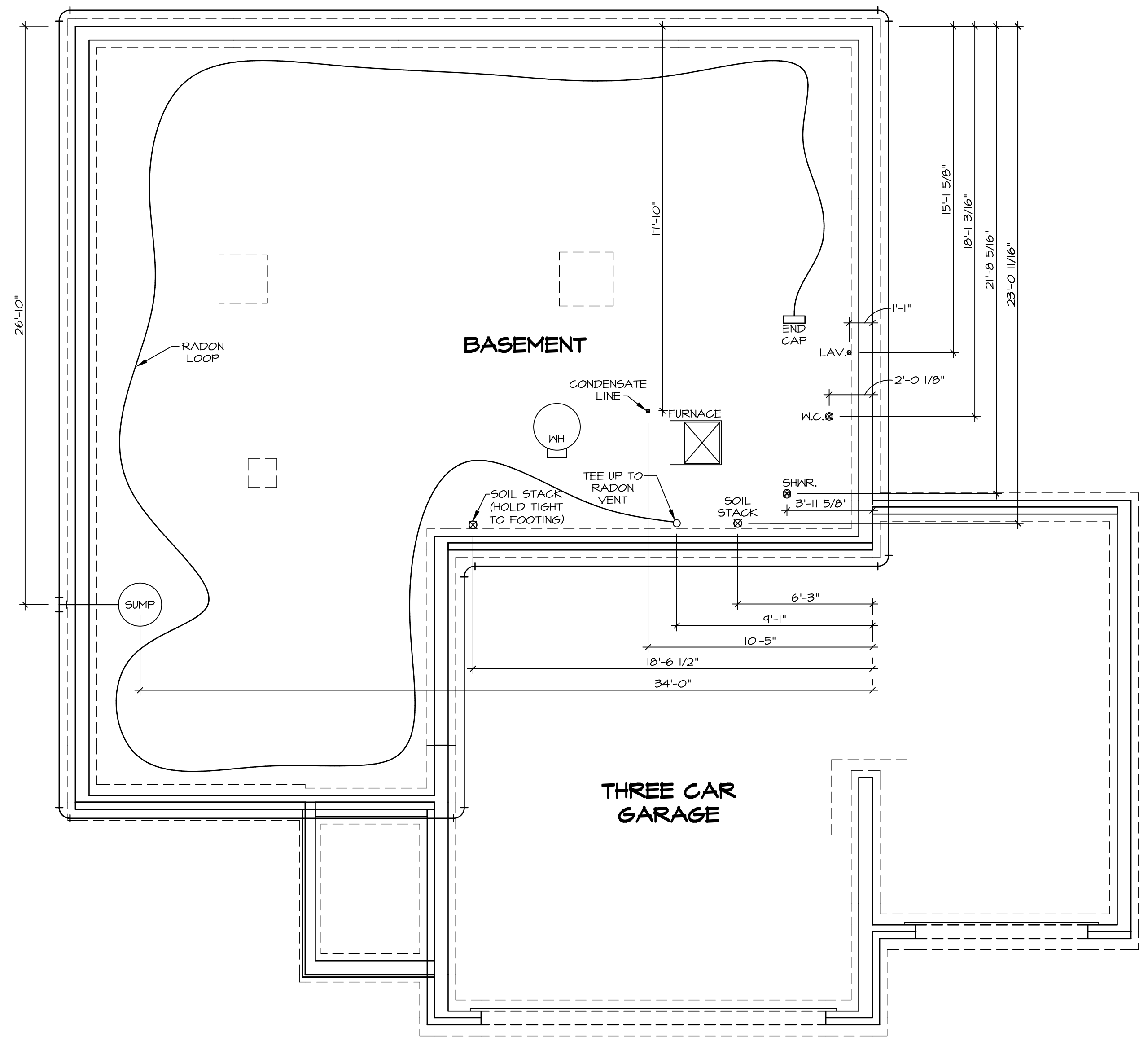
SHOWN: E-1
 SHEET NO.: 47

BY-COMM-LOT-UNIT: DCY-TE-0062
 COMM-LOT: TARA ESTATES - 0062
 STREET ADDRESS: 1464 TIMBER VALLEY DR
 CITY: FRANKLIN
 STATE: OH
 ZIP: 43005

NVR, Inc. 5285 Westview Blvd., Suite 100, Frederick, MD 21703

© NVR, Inc. The owner expressly reserves the right to modify these plans at any time without notice. These plans are not to be reproduced, changed, or altered in any way without the written consent of NVR, Inc.

1679556A Structural Specifications E-1 BSMT ELEC. 02/21/20 - 1:24 PM



PLUMBING PLAN
SCALE: 1/4" = 1'-0"

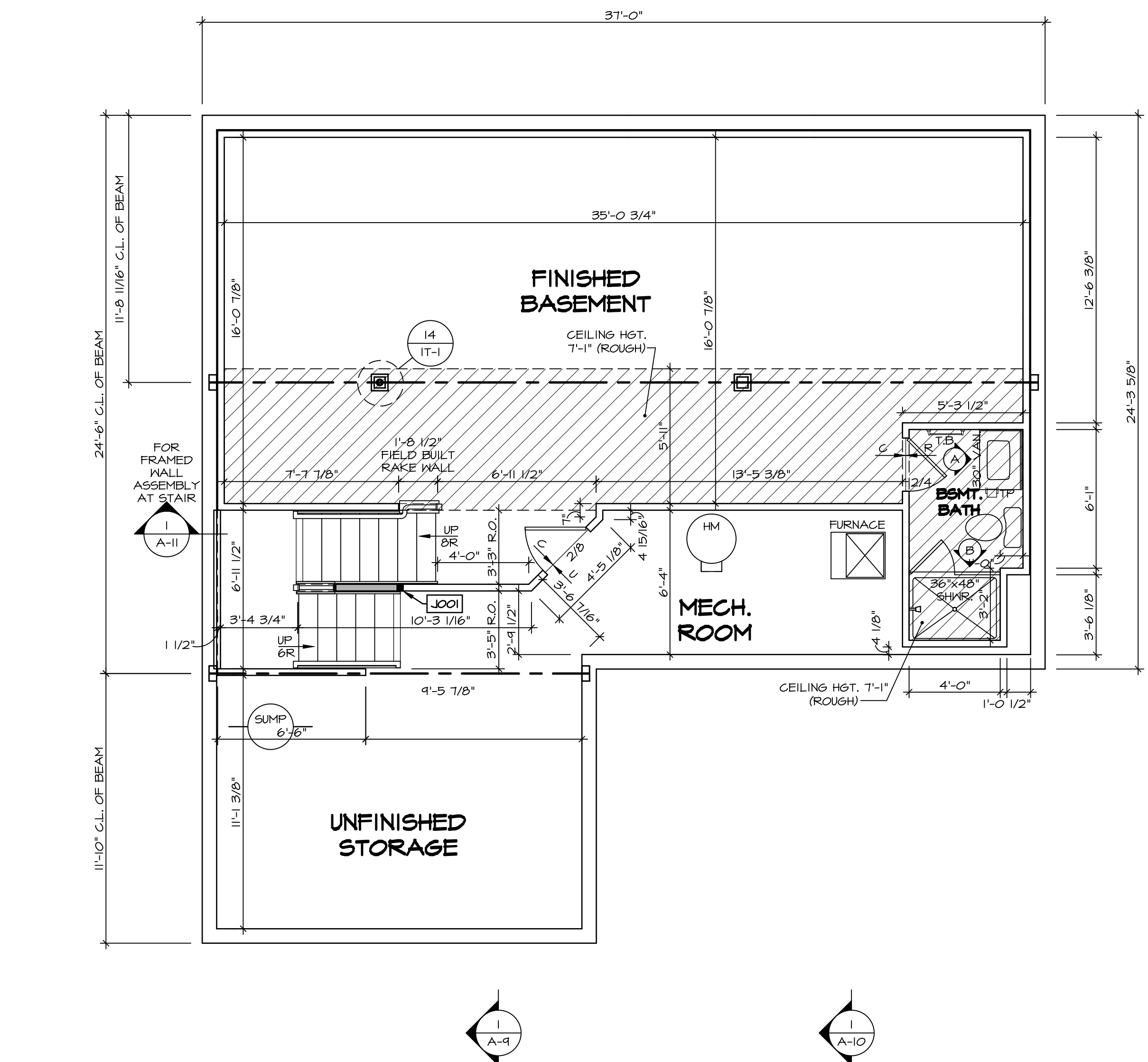
NOTE
RADON REMEDIATION
RADON LOOP:
- (4") PERFORATED HDPE "LOOP"
- MUST BE PLACED IN STONE BED SLIGHTLY HIGHER THAN ANY INTERIOR DRAINTILE
- LOOP TO BE SEPARATE FROM ANY DRAINTILE ELEMENTS
- TO BE CORRUGATED HDPE PIPE
- SCREWS TO BE INSTALLED THROUGH LOOP AT TEE UP INTO STACK
STACK REQUIREMENTS:
- 3" PVC STACK (4" IF BASEMENT IS GREATER THAN 2200 SQFT.)
- NO PART OF STACK IS TO BE HORIZONTAL
- PIPE TO BE PHYSICALLY LABELED IN THE FIELD AS "RADON VENT" OR OTHER JURISDICTIONALLY REQUIRED LANGUAGE (ON EVERY LEVEL OF HOUSE)
- ROOF TERMINATION TO BE IN TOP 1/3 OF ROOF
- SCREEN INSTALLED TO KEEP PESTS OUT OF RADON VENT AT ROOF TERMINATION

SHEET NO.	A-5
MODEL	COLUMBIA
DRAWING TITLE	PLUMBING PLAN
GROUNDWORKS	
OPTION DESCRIPTION	
SET NO.	CLM00
VERSION	01
DRAWN BY	JAB
DATE:	
OPTION	
	23

NVR
NVR, Inc., Suite 100
Frederick, MD 21703

© NVR, Inc. expressly reserves the right to modify or amend these plans at any time without notice. These plans are not to be reproduced, changed or altered in any way without the written consent of NVR, Inc.

DIV-COMM-LOT-UNIT	DCY-TE-0062
COMM-LOT	TARA ESTATES - 0062
STREET ADDRESS	1454 TIMBER VALLEY DR
CITY	FRANKLIN
STATE	OH
ZIP	45005
APT. NO.	0706



BASEMENT FLOOR PLAN
SCALE: 1/4" = 1'-0"

LEGEND

- BEARING WALL
- NON BEARING WALL
- INDICATES BEARING FROM POINT-LOAD ABOVE
- JACKS
- BEAM/HEADER
- PAD FOOTING
- STEEL COLUMN
- PORTAL FRAME
- JOIST/TRUSS
- LVL
- ENGINEERING PAGE NUMBER

SEE FC DETAILS FOR FRAMING CONNECTORS

- FLOOR PLAN NOTES**
- ALL HEADERS ARE (2) 2x6 w/ 2x4 WALLS OR (3) 2x6 w/ 2x6 WALLS, UNLESS OTHERWISE NOTED.
 - ALL HEADERS TO HAVE (1) 2x4 OR 2x6 JACK AND KING STUD EACH END, UNLESS OTHERWISE NOTED.
 - ALL EXTERIOR WALLS TO BE 4" w/ OSB OR 3 1/2" w/ T-PLY, ALL INTERIOR WALLS TO BE 3 1/2", UNLESS OTHERWISE NOTED.
 - HATCHED AREAS INDICATE DROPPED CEILING. ALL DROPPED CEILING ARE 12" UNLESS OTHERWISE NOTED.
 - SEE "BRACED WALL PANEL DETAIL SHEET" FOR SPECIAL WALL FRAMING LOCATIONS AND HEADER SIZES, IF APPLICABLE.
 - SEE STANDARD DETAIL CATEGORY "IT" SHEET(S) FOR INTERIOR TRIM DETAILS.
 - SEE ARCHITECTURAL DETAIL SHEET "AD" FOR HOUSE SPECIFIC INTERIOR TRIM OPTION TABLE.
 - ALL WINDOWS HAVE 7'-0 1/2" HEADER HEIGHT UNLESS OTHERWISE NOTED.
 - ALL HEADERS IN NON-BEARING WALLS SHALL BE A SINGLE FLAT 2x4 OR 2x6 ATTACHED TO CRIPPLES ABOVE, UNLESS OTHERWISE NOTED.
 - TANKED WATER HEATER SHOWN AS BASE CONDITION. OPTIONAL TANKLESS WATER HEATER IS AVAILABLE IN LIEU OF TANKED WATER HEATER.

GYPSUM NOTES

AT GARAGE:
GYPSUM BOARD AT COMMON WALLS, CEILING, BEAM WRAPS AND SUPPORTS PER STANDARD DETAIL FA-1(b) FIRE ASSEMBLIES OR AS REQUIRED BY LOCAL CODE.

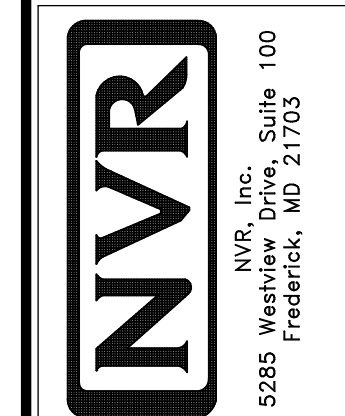
AT STAIRS:
1/2" GYPSUM BOARD AT UNDERSIDE OF STAIRS AND WALLS IN CLOSET

BASEMENT JACK SCHEDULE

IDENTIFIER	DESCRIPTION	OPTIONS	ENG. NUM.	REMARKS
J001	JACK - (2) 2X4 SFF STUD GRADE	FBA	BO031	

DIV-COMM-LOT-UNIT
DCY-TE-0062
COMM-LOT
TARA ESTATES - 0062
STREET ADDRESS
1454 TIMBER VALLEY DR
CITY
FRANKLIN
STATE
OH
APT. NO.
0106
ZIP
45005

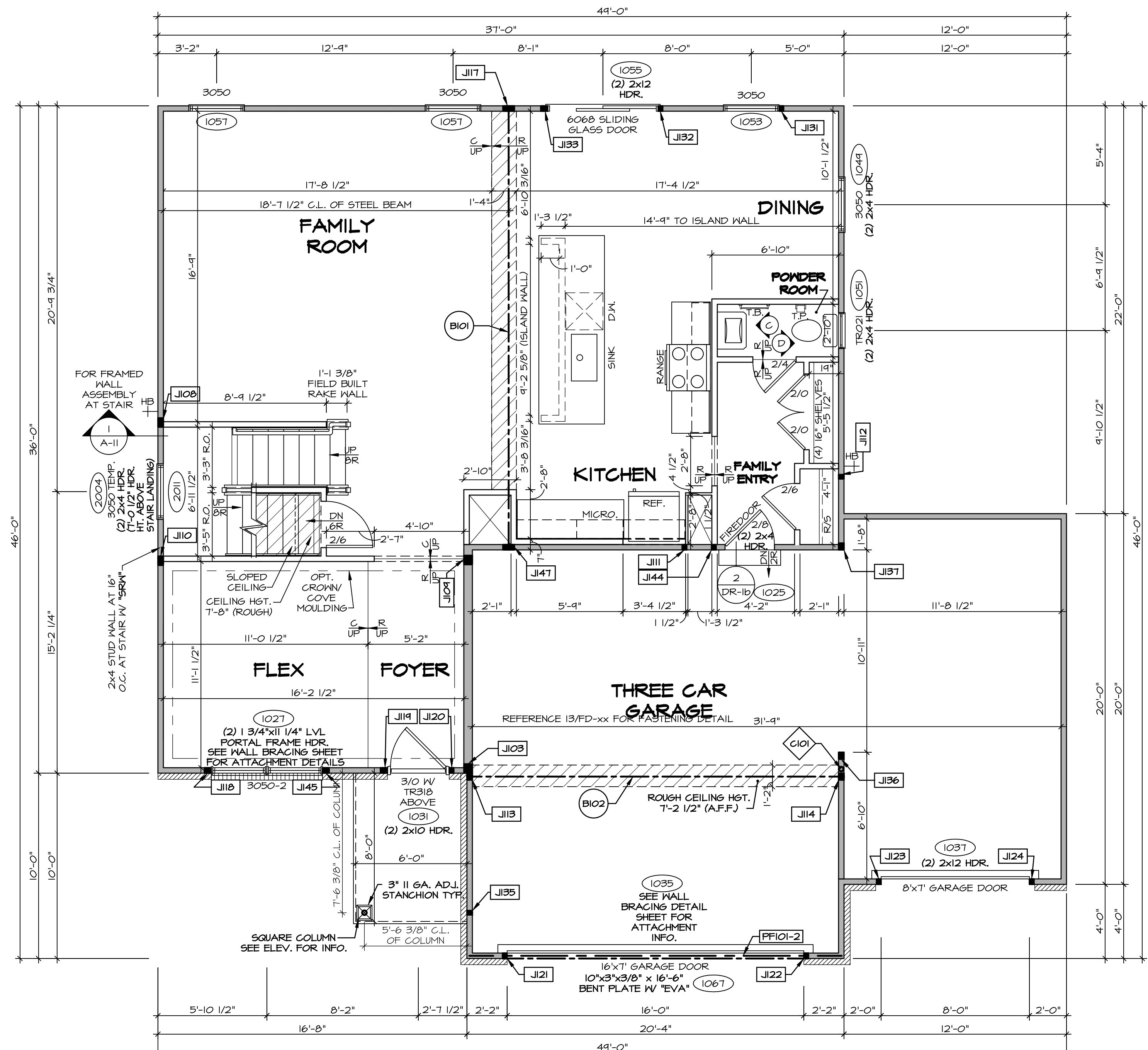
© NVR, Inc. The owner expressly reserves the right to modify or amend these plans at any time without notice. No part of these plans may be reproduced, changed, or used in any way without the written consent of NVR, Inc.



SET NO. CLM00
VERSION 01
DRAWN BY CVB
DATE:
OPTION FBA

MODEL
COLUMBIA
DRAWING TITLE
BASEMENT FLOOR PLAN
OPTION DESCRIPTION
BASEMENT FOUNDATION

SHEET NO.
A-6
26



FIRST FLOOR PLAN
SCALE: 1/4" = 1'-0"

LEGEND

- BEARING WALL
- NON BEARING WALL
- INDICATES BEARING FROM POINT-LOAD ABOVE
- JACKS
- BEAM/HEADER
- PAD FOOTING
- STEEL COLUMN
- PORTAL FRAME
- JOIST/TRUSS
- LVL
- ENGINEERING PAGE NUMBER

SEE FC DETAILS FOR FRAMING CONNECTORS

NOTE:
EXTERIOR WALLS DRAIN TO FRAMING WIDTH, EXTERIOR SHEATHING IS NOT INCLUDED IN WALL THICKNESS.

- FLOOR PLAN NOTES**
- ALL HEADERS ARE (2) 2x6 w/ 2x4 WALLS OR (3) 2x6 w/ 2x6 WALLS, UNLESS OTHERWISE NOTED.
 - ALL HEADERS TO HAVE (1) 2x4 OR 2x6 JACK AND KING STUD EACH END, UNLESS OTHERWISE NOTED.
 - ALL EXTERIOR WALLS TO BE 4" w/ OSB OR 3 1/2" w/ T-PLY, ALL INTERIOR WALLS TO BE 3 1/2", UNLESS OTHERWISE NOTED.
 - HATCHED AREAS INDICATE DROPPED CEILINGS. ALL DROPPED CEILINGS ARE 12" UNLESS OTHERWISE NOTED.
 - SEE "BRACED WALL PANEL DETAIL SHEET" FOR SPECIAL WALL FRAMING LOCATIONS AND HEADER SIZES, IF APPLICABLE.
 - SEE STANDARD DETAIL CATEGORY "IT" SHEET(S) FOR INTERIOR TRIM DETAILS.
 - SEE ARCHITECTURAL DETAIL SHEET "AD" FOR HOUSE SPECIFIC INTERIOR TRIM OPTION TABLE.
 - ALL WINDOWS HAVE T-O 1/2" HEADER HEIGHT UNLESS OTHERWISE NOTED.
 - ALL HEADERS IN NON-BEARING WALLS SHALL BE A SINGLE FLAT 2x4 OR 2x6 ATTACHED TO CRIPPLES ABOVE, UNLESS OTHERWISE NOTED.
 - TANKED WATER HEATER SHOWN AS BASE CONDITION, OPTIONAL TANKLESS WATER HEATER IS AVAILABLE IN LIEU OF TANKED WATER HEATER.

GYPSUM NOTES

AT GARAGE:
GYPSUM BOARD AT COMMON WALLS, CEILINGS, BEAM WRAPS AND SUPPORTS PER STANDARD DETAIL FA-1(b) FIRE ASSEMBLIES OR AS REQUIRED BY LOCAL CODE.

AT STAIRS:
1/2" GYPSUM BOARD AT UNDERSIDE OF STAIRS AND WALLS IN CLOSET

LVL PLY TO PLY FASTENING SCHEDULE: (WHERE APPLICABLE BASED ON LVL USAGE)

- (2) PLY UP TO AND INCLUDING 11 7/8" TALL; FASTEN PLYS w/ (2) ROWS 16D NAILS AT 12" O.C. OR ALT 1 1/2" WIDE LVL FASTEN PLYS w/ (3) ROWS 12D NAILS AT 12" O.C.
- (2) PLY 14" TO AND 18" TALL (INCLUSIVE); FASTEN PLYS w/ (3) ROWS 16D NAILS AT 12" O.C. OR ALT 1 1/2" WIDE LVL FASTEN PLYS w/ (4) ROWS 12D NAILS AT 12" O.C.
- (2) PLY 20" TALL AND OVER; FASTEN PLYS w/ (4) ROWS 16D NAILS AT 12" O.C. OR ALT 1 1/2" WIDE LVL FASTEN PLYS w/ (5) ROWS 12D NAILS AT 12" O.C.
- (3) PLY UP TO AND INCLUDING 11 7/8" TALL; FASTEN PLYS w/ (2) ROWS 16D NAILS AT 12" O.C. FROM EACH SIDE OR ALT 1 1/2" WIDE LVL FASTEN PLYS w/ (3) ROWS 12D NAILS AT 12" O.C. FROM EACH SIDE.
- (3) PLY 14" TO AND 18" TALL (INCLUSIVE); FASTEN PLYS w/ (3) ROWS 16D NAILS AT 12" O.C. FROM EACH SIDE OR ALT 1 1/2" WIDE LVL FASTEN PLYS w/ (4) ROWS 12D NAILS AT 12" O.C. FROM EACH SIDE.
- (3) PLY 20" TALL AND OVER; FASTEN PLYS w/ (4) ROWS 16D NAILS AT 12" O.C. FROM EACH SIDE OR ALT 1 1/2" WIDE LVL FASTEN PLYS w/ (5) ROWS 12D NAILS AT 12" O.C. FROM EACH SIDE.
- (4) PLY (ALL SIZES); FASTEN PLYS w/ (2) ROWS 1/2" DIAMETER A307 BOLTS AT 24" O.C. SEE SHOP DRAWING FOR ADDITIONAL INFORMATION.

FIELD INSTALLED FIRST FLOOR BEAM/HEADER SCHEDULE

IDENTIFIER	DESCRIPTION	LENGTH	OPTIONS	ENG. NUM.	REMARKS
B101	BEAM STEEL - W12X30	23'-10 3/4"		1023	
B102	BEAM STEEL - W12X22	20'-4"	EVA, ELA	1022	
PF101-2	LVL 1.75 - 11-04	20'-1"	GCB/ GCF	1035	

STEEL COLUMN SCHEDULE

IDENTIFIER	STYLE	HEIGHT	OPTIONS	ENG. NUM.	REMARKS
C101	STANCHION - 3 IN SCHED 40	9'-6"	GCB/ GCF, ELA/ ELB/ ELK/ ELL, SXC, FBA/ FCA	1006	

FIRST FLOOR JACK SCHEDULE

IDENTIFIER	DESCRIPTION	OPTIONS	ENG. NUM.	REMARKS
J103	JACK - (4) 2x6 SPF STUD GRADE	SXC, ELA/ ELK	1006	
J108	JACK - (4) 2x4 SPF STUD GRADE		1014	
J109	JACK - (4) 2x6 SPF STUD GRADE		1016	
J110	JACK - (4) 2x4 SPF STUD GRADE		1016	
J111	JACK - (2) 2x4 SPF STUD GRADE		1018	
J112	JACK - (2) 2x4 SPF STUD GRADE		1020	
J113	JACK - (3) 2x4 SPF STUD GRADE	EVA, ELA	1022	
J114	JACK - (3) 2x4 SPF STUD GRADE	EVA, GCB, GCF	1022	
J117	JACK - (5) 2x4 SPF#1		1023	
J118	JACK - (3) 2x4 SPF STUD GRADE		1027	
J119	JACK - (3) 2x4 SPF STUD GRADE	ELA/ ELK/ ELK	1031	
J120	JACK - (2) 2x4 SPF STUD GRADE	ELA/ ELK/ ELK	1031	
J121	JACK - (2) 2x4 SPF STUD GRADE	GCB/ GCF	1035	
J122	JACK - (2) 2x4 SPF STUD GRADE	GCB/ GCF	1035	
J123	JACK - (2) 2x4 SPF STUD GRADE	GCF	1037	
J124	JACK - (2) 2x4 SPF STUD GRADE	GCF	1037	
J131	JACK - (2) 2x4 SPF STUD GRADE		1038	
J132	JACK - (2) 2x4 SPF STUD GRADE		1038	
J133	JACK - (3) 2x4 SPF STUD GRADE		1038	
J135	JACK - (2) 2x4 SPF STUD GRADE		1063	
J136	JACK - (3) 2x4 SPF STUD GRADE	GCF, ELA/ ELB/ ELK/ ELL	1065	
J137	JACK - (3) 2x4 SPF#1		1065	
J144	JACK - (2) 2x4 SPF STUD GRADE	GCF, ELC	1018	
J145	JACK - (3) 2x4 SPF STUD GRADE		1027	
J147	JACK - (3) 2x4 SPF#1		1023	

DCY-TE-0062

COMMITTEE: TARA ESTATES - 0062

STREET ADDRESS: 1454 TIMBER VALLEY DR

CITY: FRANKLIN STATE: OH ZIP: 45005

APT. NO.: 0106

SET NO. CLM000
VERSION 01
DRAWN BY: ARY
DATE:
OPTION

MODEL: COLUMBIA
DRAWING TITLE: FIRST FLOOR PLAN
OPTION DESCRIPTION

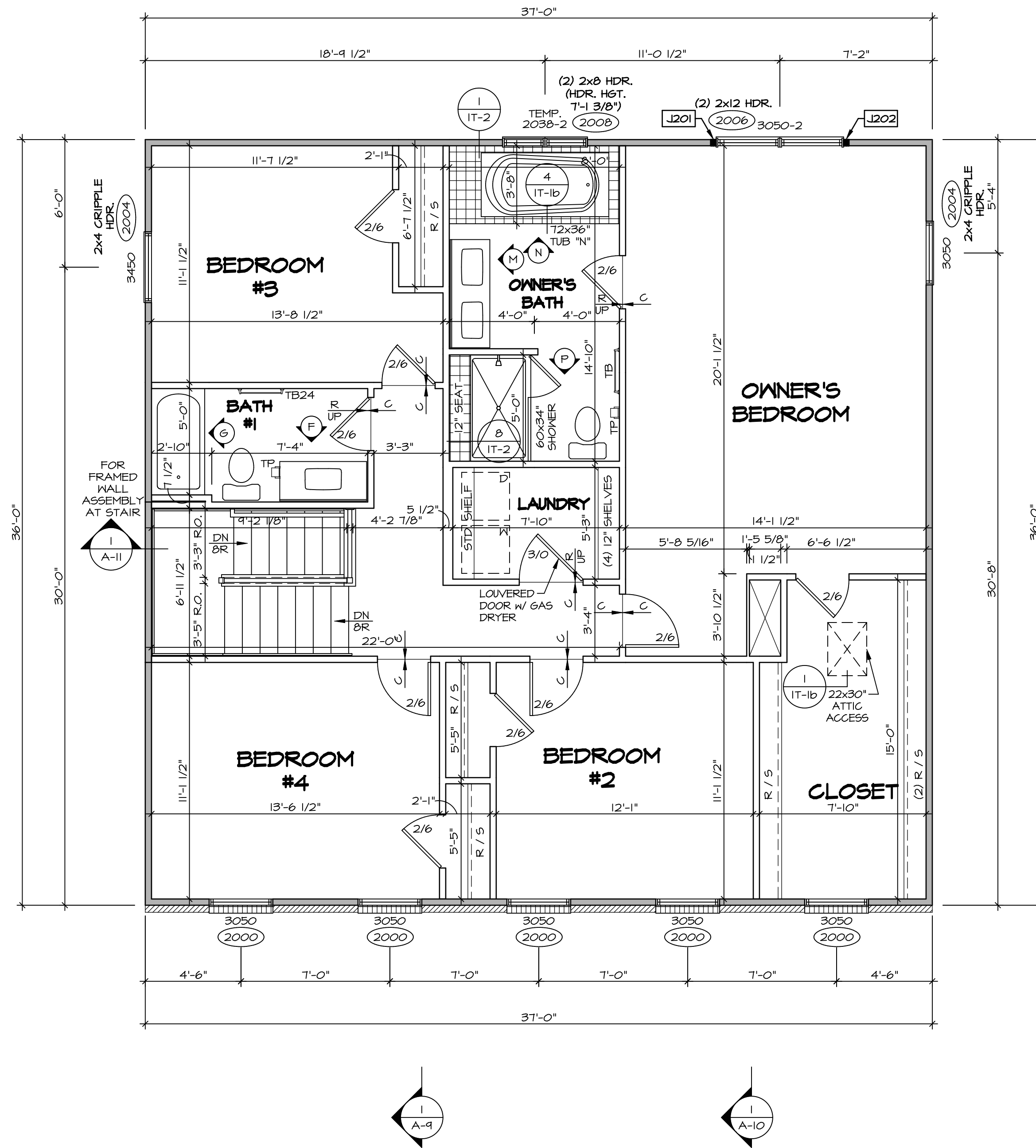
SHEET NO. A-7

27

© NVR, Inc. expressly reserves the right to modify these plans without notice. These plans are not to be reproduced, changed or altered in any way without the written consent of NVR, Inc.

NVR
NVR, Inc. Suite 100
Friedrich, MD 21703
5285 Washington Blvd.
Friedrich, MD 21703

C:\NVR\Solves\COLUMBIA_CLM000_01\DCY-TE-0062\1723376\Sheets\Lot_Specific\27_A-7_FLN1_LS.dwg 03/10/20 - 4:03 am



1 SECOND FLOOR PLAN
A-8 SCALE: 1/4" = 1'-0"

LEGEND

- BEARING WALL
- - - NON BEARING WALL
- ⊗ INDICATES BEARING FROM POINT-LOAD ABOVE
- J JACKS
- B BEAM/HEADER
- F PAD FOOTING
- C STEEL COLUMN
- X PORTAL FRAME
- X JOIST/TRUSS
- LVL LVL
- (X) ENGINEERING PAGE NUMBER

SEE FC DETAILS FOR FRAMING CONNECTORS

NOTE:
EXTERIOR WALLS DRAWN TO FRAMING WIDTH, EXTERIOR SHEATHING IS NOT INCLUDED IN WALL THICKNESS.

- FLOOR PLAN NOTES**
- ALL HEADERS ARE (2) 2x6 w/ 2x4 WALLS OR (3) 2x6 w/ 2x6 WALLS, UNLESS OTHERWISE NOTED.
 - ALL HEADERS TO HAVE (1) 2x4 OR 2x6 JACK AND KING STUD EACH END, UNLESS OTHERWISE NOTED.
 - ALL EXTERIOR WALLS TO BE 4" w/ OSB OR 3 1/2" w/ T-PLY, ALL INTERIOR WALLS TO BE 3 1/2", UNLESS OTHERWISE NOTED.
 - HATCHED AREAS INDICATE DROPPED CEILING. ALL DROPPED CEILING ARE 12" UNLESS OTHERWISE NOTED.
 - SEE "BRACED WALL PANEL DETAIL SHEET" FOR SPECIAL WALL FRAMING LOCATIONS AND HEADER SIZES, IF APPLICABLE.
 - SEE STANDARD DETAIL CATEGORY "IT" SHEET(S) FOR INTERIOR TRIM DETAILS.
 - SEE ARCHITECTURAL DETAIL SHEET "AD" FOR HOUSE SPECIFIC INTERIOR TRIM OPTION TABLE.
 - ALL WINDOWS HAVE 7'-0 1/2" HEADER HEIGHT UNLESS OTHERWISE NOTED.
 - ALL HEADERS IN NON-BEARING WALLS SHALL BE A SINGLE FLAT 2x4 OR 2x6 ATTACHED TO CRIPPLES ABOVE, UNLESS OTHERWISE NOTED.
 - TANKED WATER HEATER SHOWN AS BASE CONDITION. OPTIONAL TANKLESS WATER HEATER IS AVAILABLE IN LIEU OF TANKED WATER HEATER.

- GYPSUM NOTES**
- AT GARAGE:
GYPSUM BOARD AT COMMON WALLS, CEILING, BEAM WRAPS AND SUPPORTS PER STANDARD DETAIL FA-1(b) FIRE ASSEMBLY OR AS REQUIRED BY LOCAL CODE.
- AT STAIRS:
1/2" GYPSUM BOARD AT UNDERSIDE OF STAIRS AND WALLS IN CLOSET

SECOND FLOOR JACK SCHEDULE

IDENTIFIER	DESCRIPTION	OPTIONS	ENG. NUM.	REMARKS
J201	JACK - (2) 2X4 SPF STUD GRADE		2006	
J202	JACK - (2) 2X4 SPF STUD GRADE		2006	

DIV-COMM-LOT-UNIT
DCY-TE-0062

COMM-LOT
TARA ESTATES - 0062

STREET ADDRESS
1454 TIMBER VALLEY DR

CITY
FRANKLIN

STATE
OH

ZIP
45005

AFT. NO.
0766

© NVR, Inc. The owner expressly reserves the right to modify or amend these plans at any time without notice. These plans are not to be reproduced, changed or altered in any way without the written consent of NVR, Inc.

NVR
NVR, Inc. Suite 100
5285 Washington Blvd.
Frederick, MD 21703

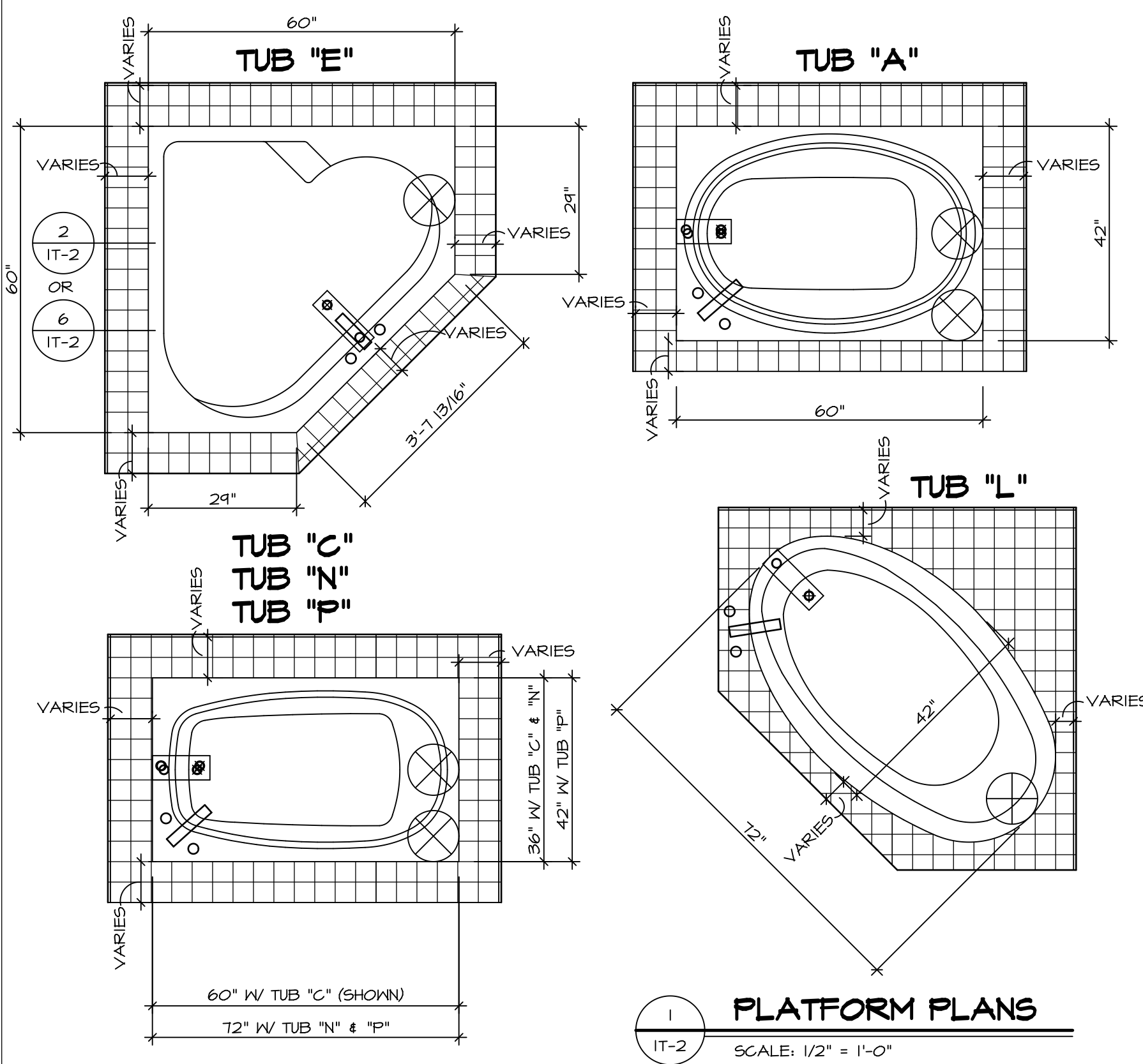
SET NO. CLM00
VERSION 01
DRAWN BY ARY
DATE:
OPTION

MODEL
COLUMBIA
DRAWING TITLE
SECOND FLOOR PLAN

SHEET NO.
A-8

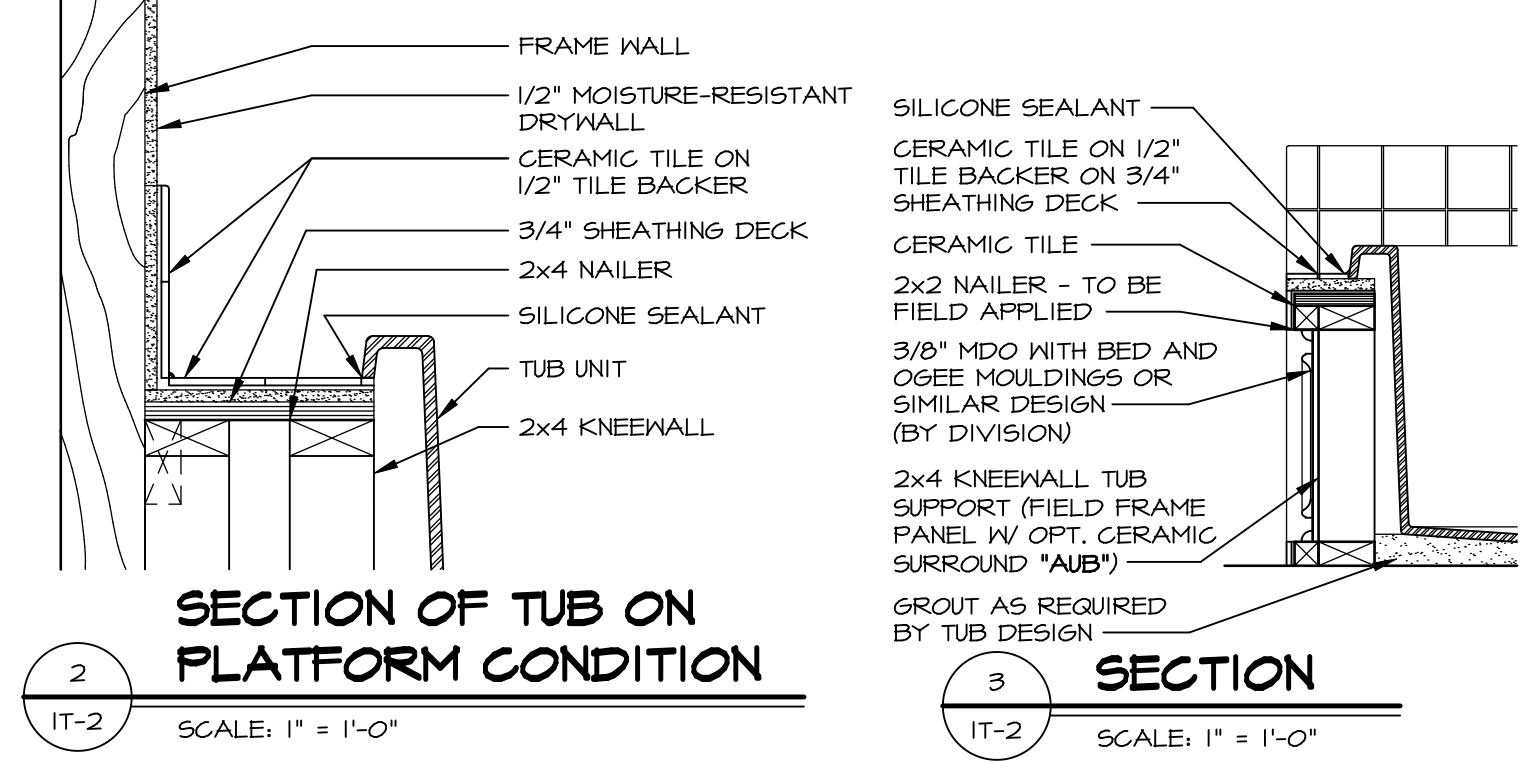
OPTION DESCRIPTION
31

C:\NVR\Solves\COLUMBIA_CLM00_01\DCY-TE-0062\172376\Sheets\Lot_Specific\31_A-8_FLN2_LS.dwg 03/10/20 - 4:03 am

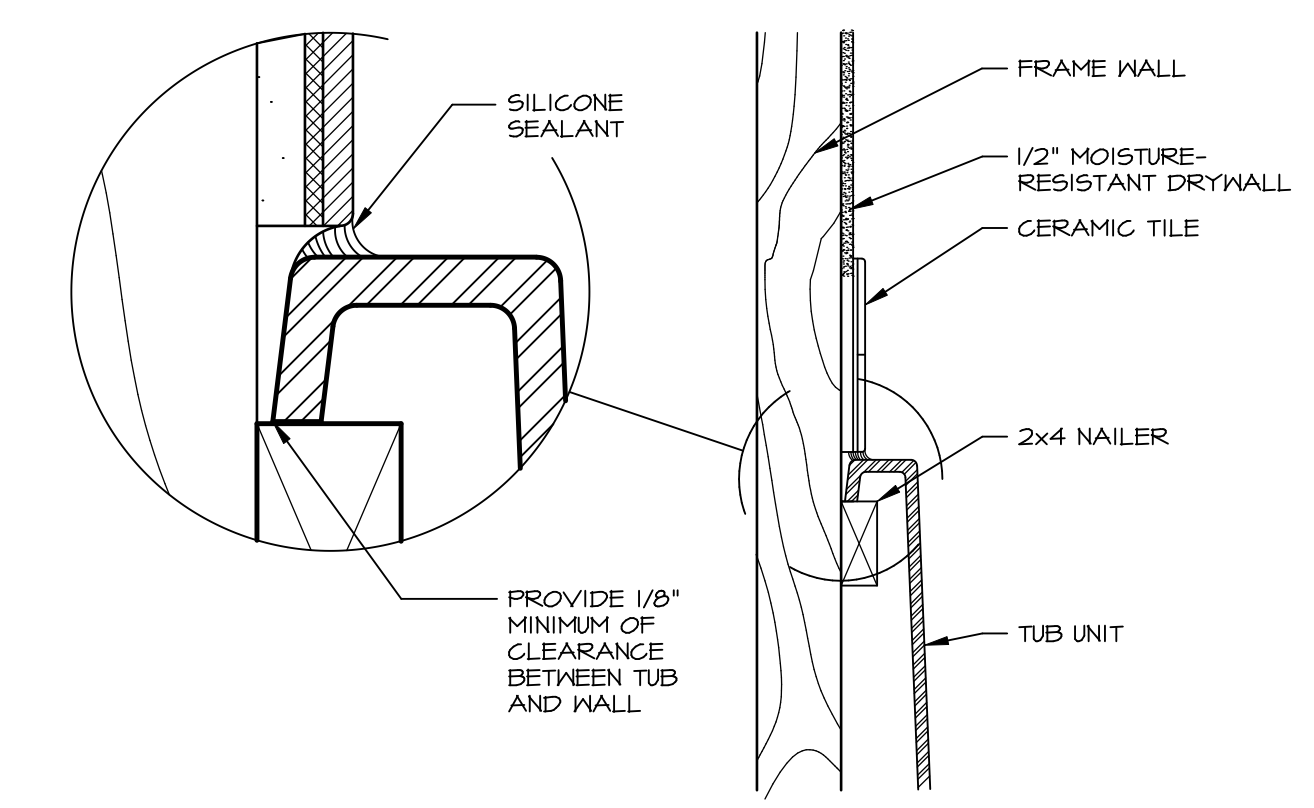


1 PLATFORM PLANS
SCALE: 1/2" = 1'-0"

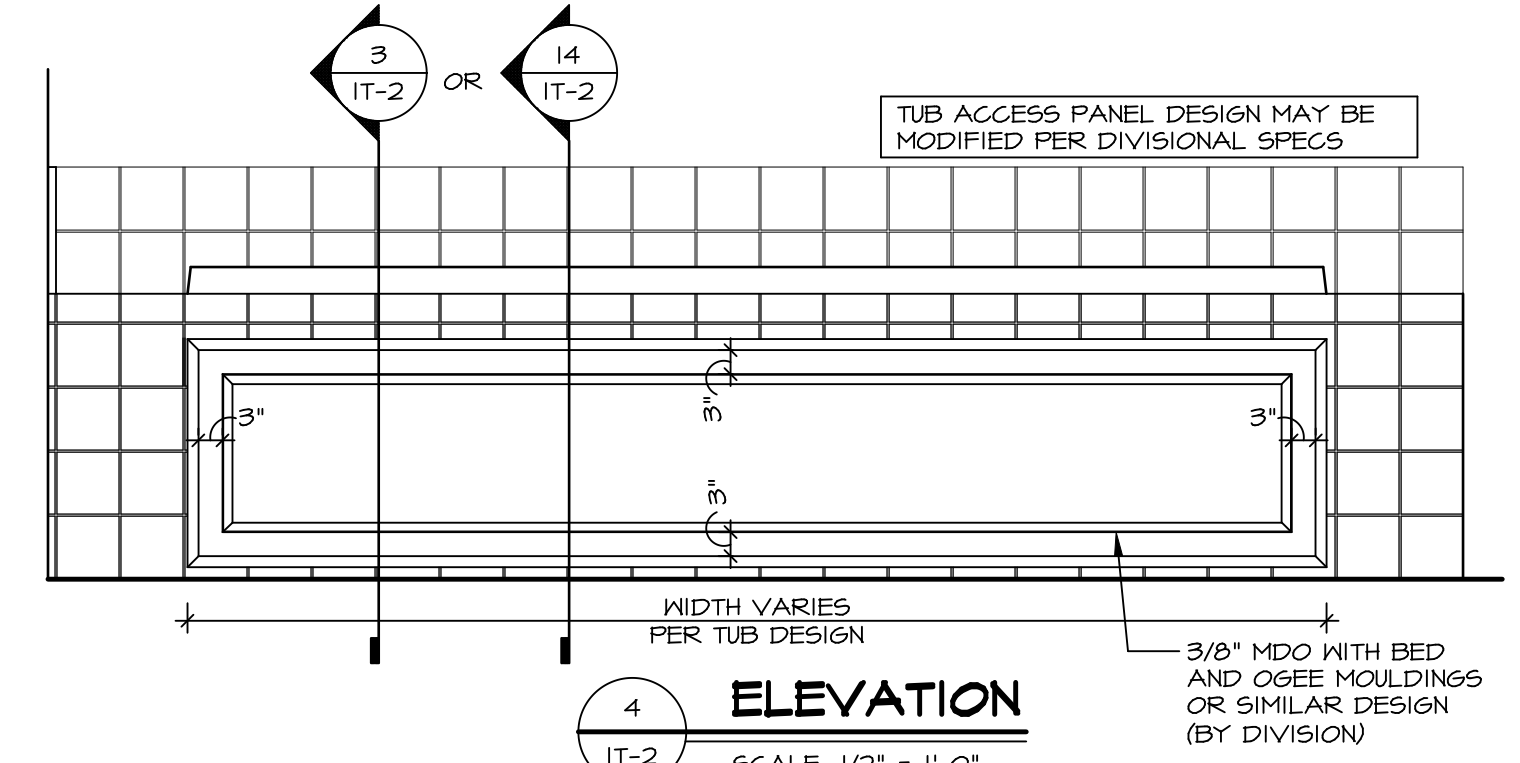
TUB	MANUF.	HEIGHT	WIDTH	LENGTH	TUB DECK PANEL HEIGHT
"A"	KOHLER/ STERLING	18 3/4"	42"	60"	17 1/8"
"C"	KOHLER/ STERLING	18 3/4"	36"	60"	17 1/8"
"E"	KOHLER/ STERLING	19 1/2"	60"	60"	17 7/8"
"L"	KOHLER/ STERLING	18 1/2"	42"	72"	16 7/8"
"N"	KOHLER/ STERLING	18 3/4"	36"	72"	17 1/8"
"P"	KOHLER/ STERLING	18 3/4"	42"	72"	17 1/8"



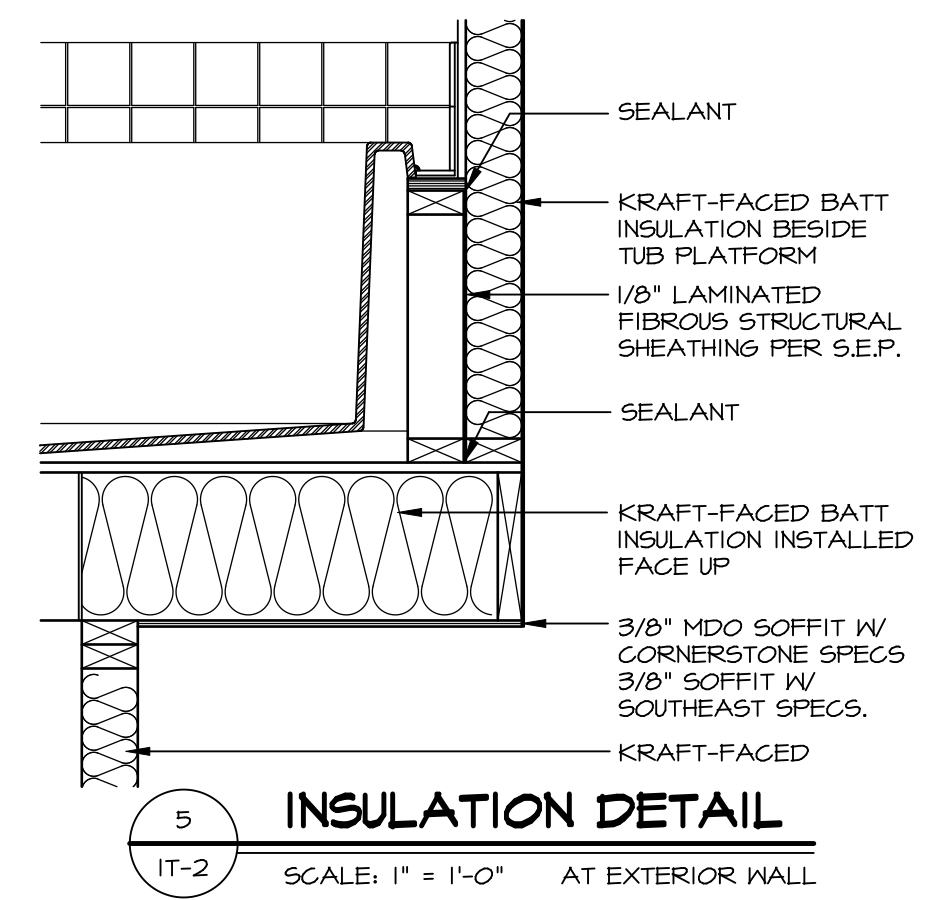
2 SECTION OF TUB ON PLATFORM CONDITION
SCALE: 1" = 1'-0"



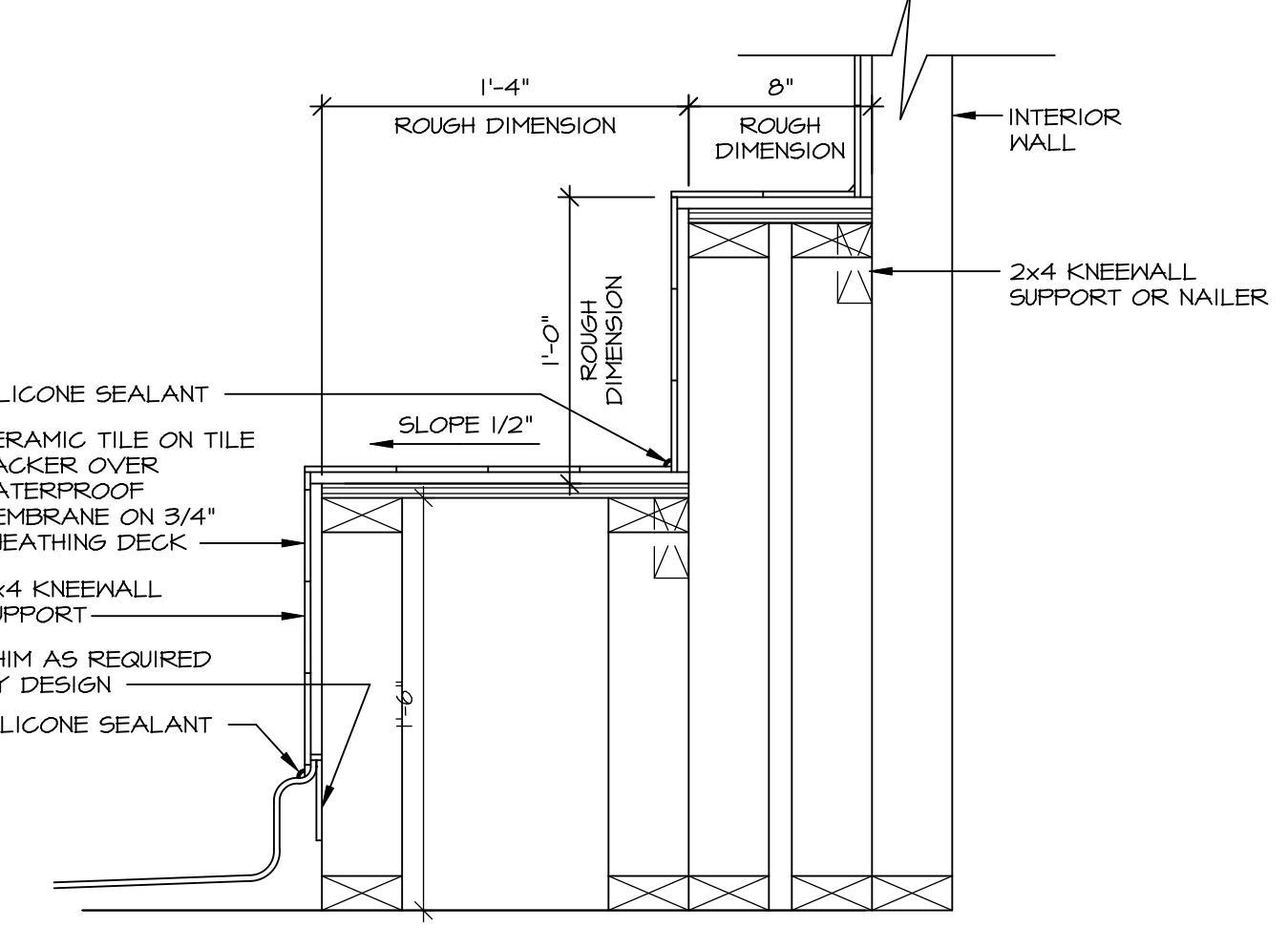
3 SECTION OF TUB TO WALL CONDITION
SCALE: 1 1/2" = 1'-0"



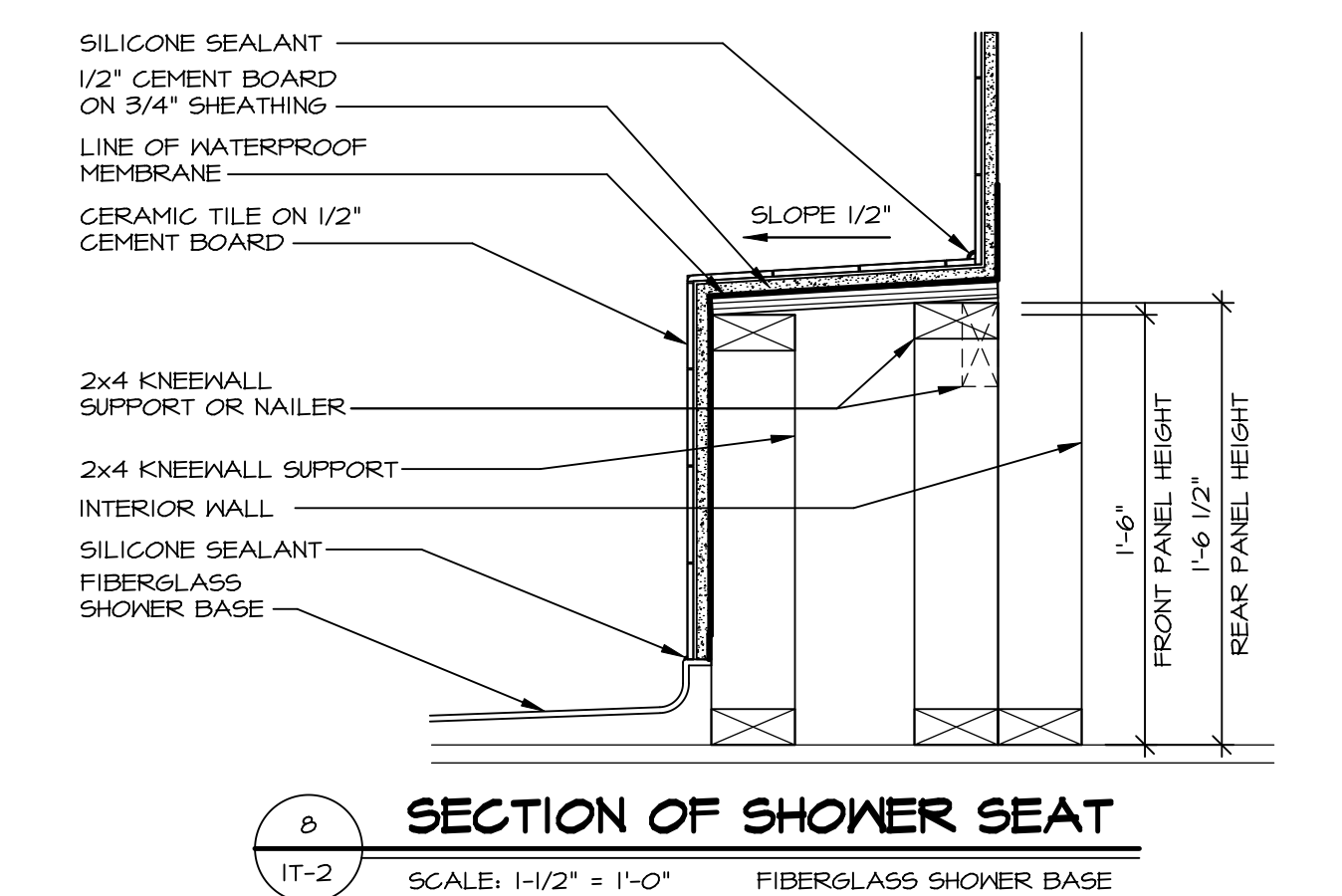
4 ELEVATION
SCALE: 1/2" = 1'-0"



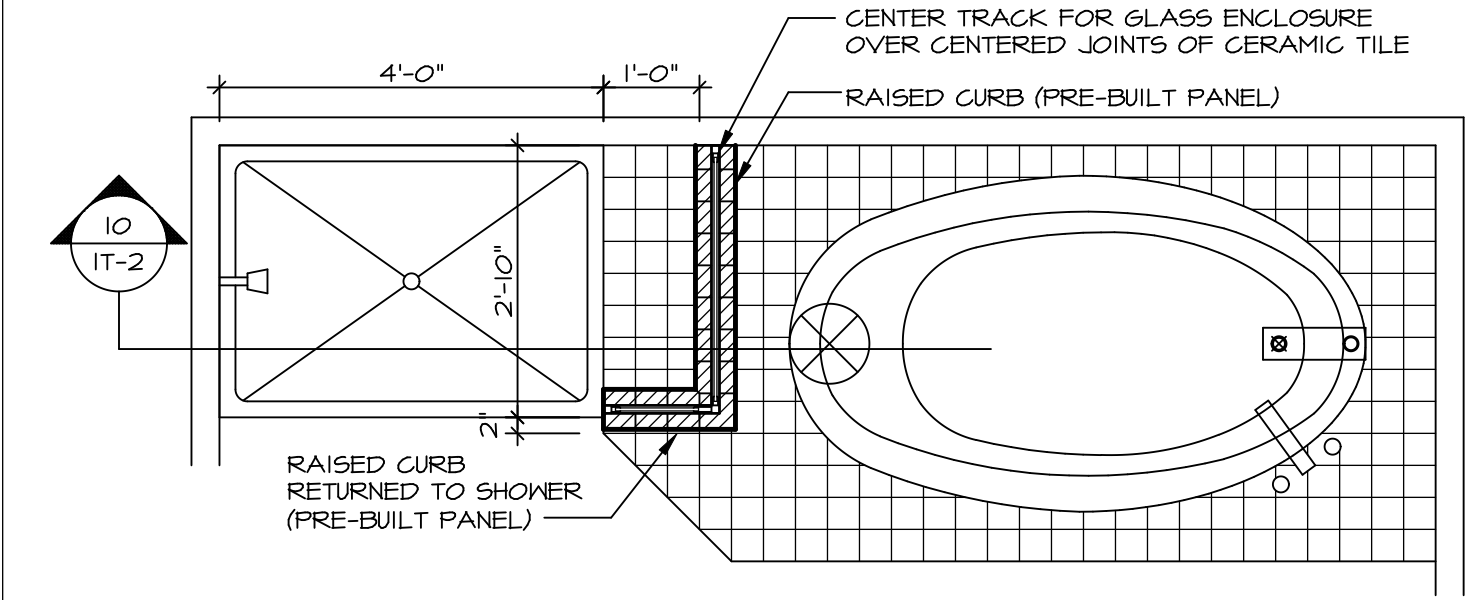
5 INSULATION DETAIL
SCALE: 1" = 1'-0" AT EXTERIOR WALL



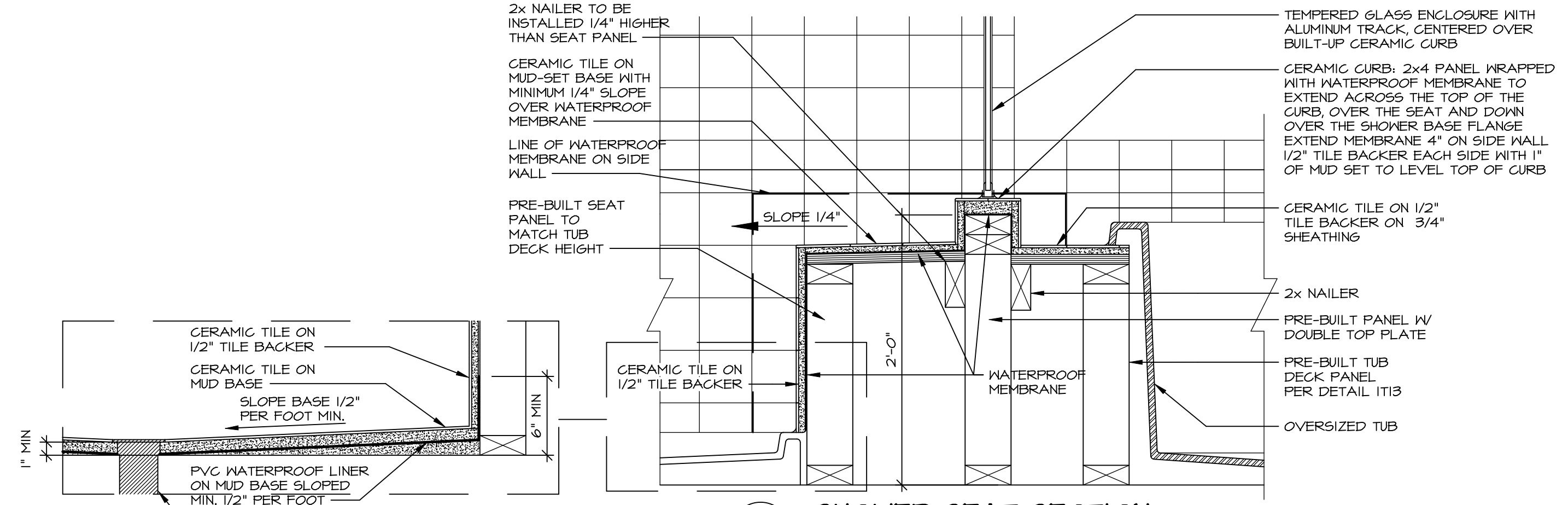
7 SECTION OF SHOWER SEAT AND SHELF
SCALE: 1 1/2" = 1'-0"



8 SECTION OF SHOWER SEAT
SCALE: 1-1/2" = 1'-0" FIBERGLASS SHOWER BASE



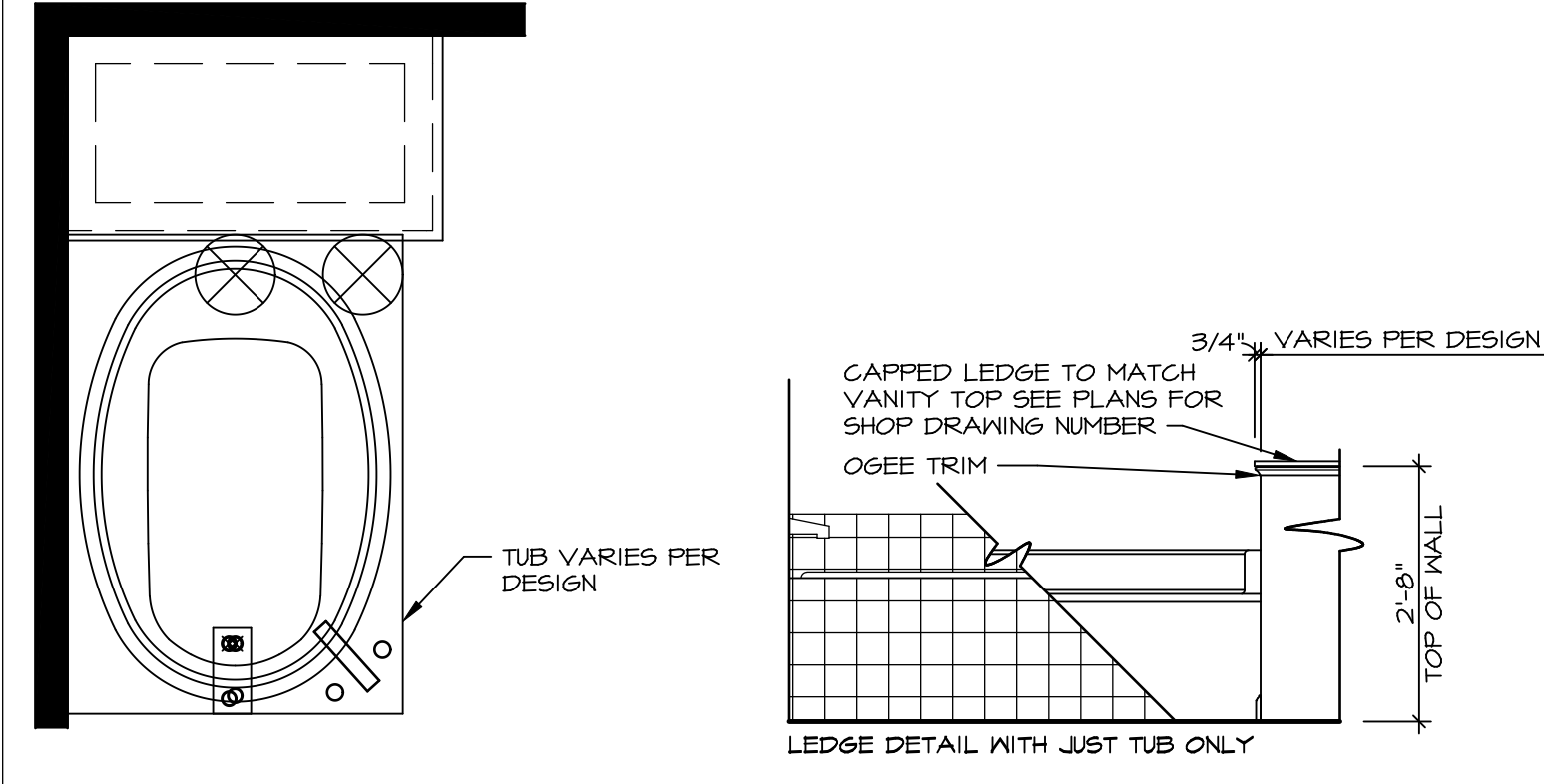
9 SHOWER SEAT PLAN / DETAIL
SCALE: 1/2" = 1'-0"



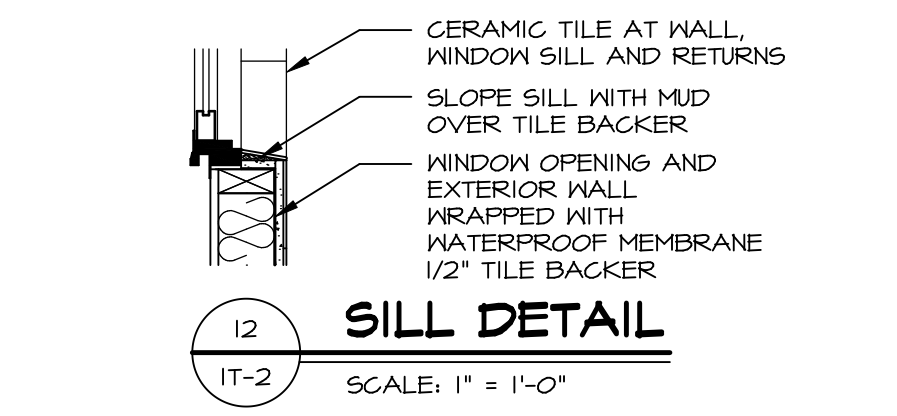
10 SHOWER SEAT SECTION
SCALE: 1-1/2" = 1'-0"



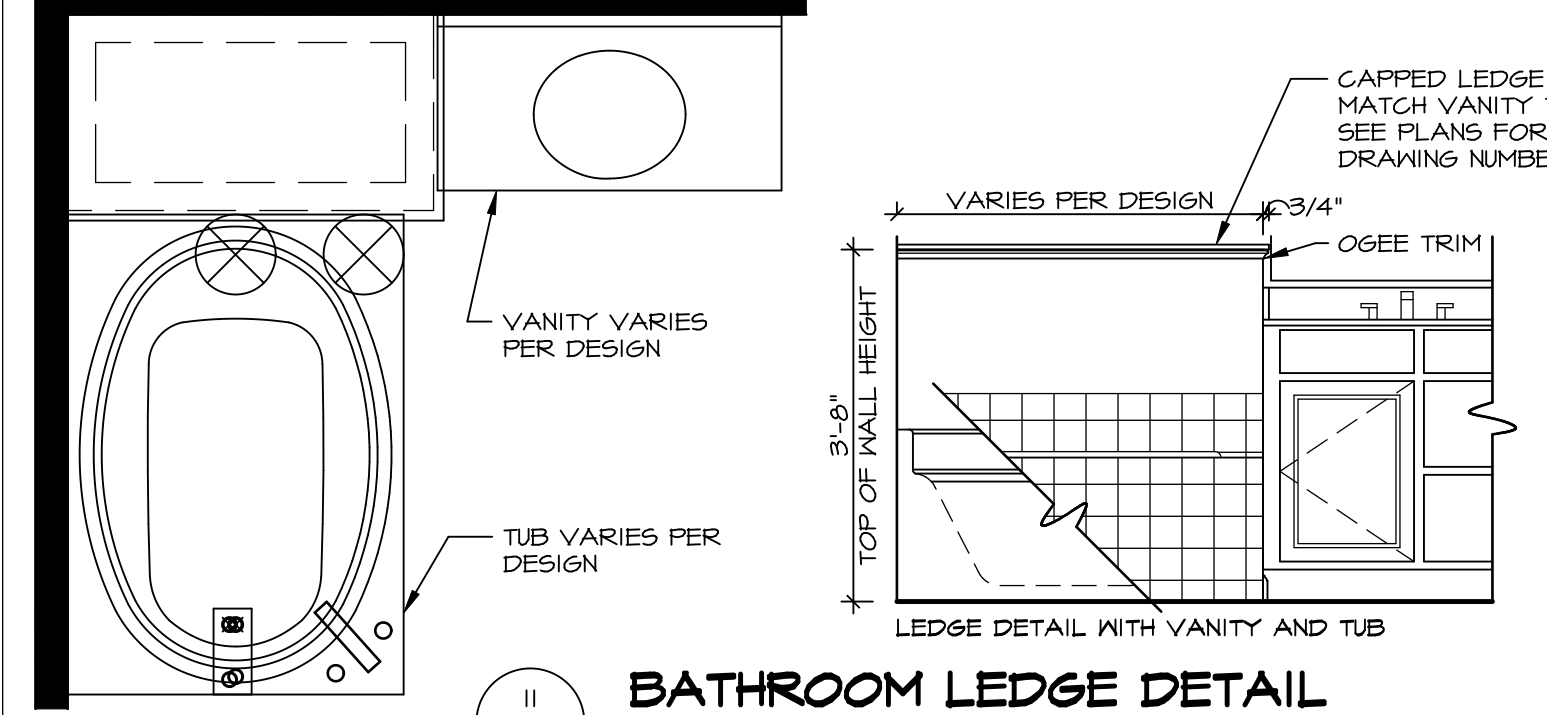
11 ALTERNATE SHOWER PAN DETAIL



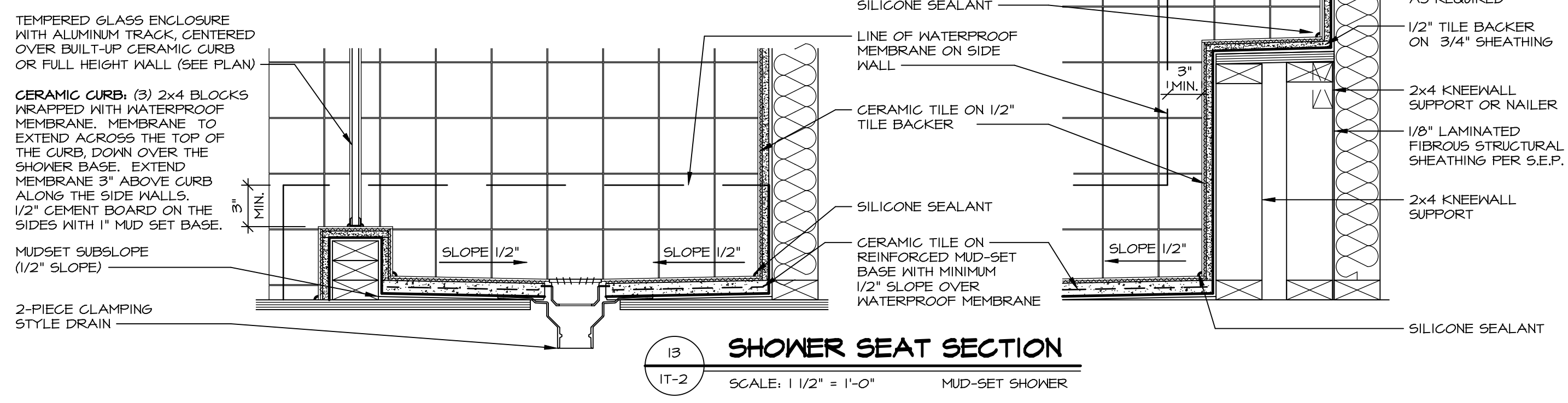
12 BATHROOM LEDGE DETAIL
SCALE: 1/2" = 1'-0"



13 SILL DETAIL
SCALE: 1" = 1'-0"



14 BATHROOM LEDGE DETAIL
SCALE: 1/2" = 1'-0"

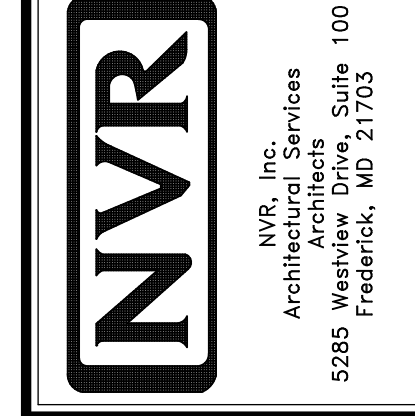


15 SHOWER SEAT SECTION
SCALE: 1 1/2" = 1'-0" MUD-SET SHOWER

REMARKS

REV. NO.	DATE	DESCRIPTION
1	5/11/17	EBP - REVISED DETAIL I AND II TO REMOVE TUB ACCESS PANEL REF. (095 #15 3414)
2	9/21/17	EBP - REVISED T-FLY NOTE TO CALL OUT LFS
3	9/21/17	EBP - REVISED NOTE ON DETAIL #1 - REVISED ORDER OF MATERIAL PARA#4934
4	8/28/18	EBP - DTL 8 / 19 ME REMOVED THE 2x6 BULKING AT BASE OF SHWR REQUEST #4663

NVR, Inc., owner, expressly reserves its common law copyright and other property rights in these plans. These plans are not to be copied, reproduced, or otherwise used in any way without the prior written consent of NVR, Inc.

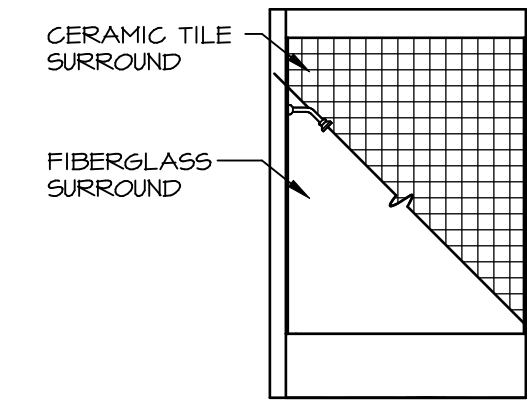


MODEL	SET NO.	VERSION	DRAWN BY	DATE:	OPTION
STANDARD DETAILS	NVR				
INTERIOR TRIM DETAILS					
BATH DETAILS					
OPTION DESCRIPTION					

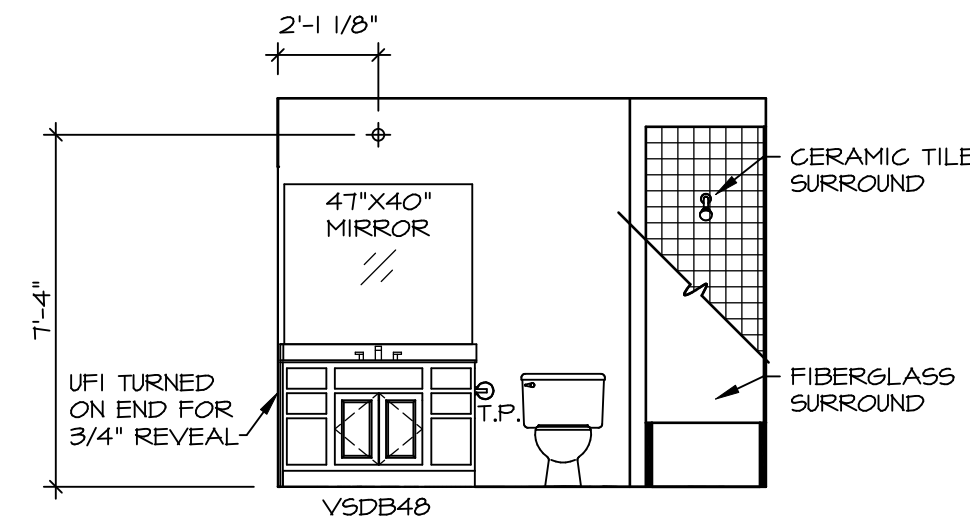
SHEET NO. **IT-2**

NOTES:

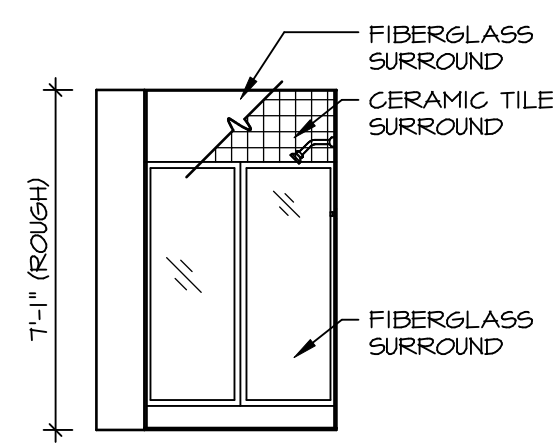
1. TEMPERED GLASS SHOWER ENCLOSURE WITH SWING DOOR OR OPTIONAL SLIDING DOOR BY DIVISION
2. TUB ACCESS PANELS PROVIDED AS NEEDED, ALL MATERIALS BY DIVISION
3. REFER TO SHEET D-XX FOR TUB AND SHOWER DETAILS.
4. ALL V5DB24-42 DRAWERS TO BE SET ON RIGHT HAND.
5. ALL BATH ELEVATIONS ARE SHOWN PER PLAN.



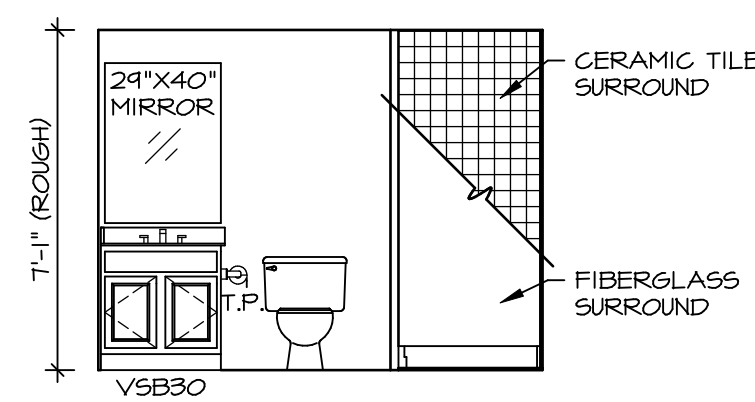
G BATH #1
SCALE: 1/4" = 1'-0"



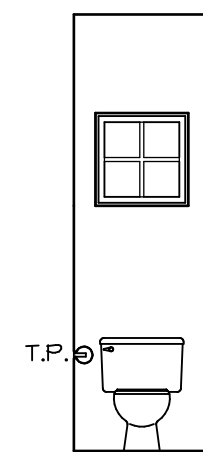
F BATH #1
SCALE: 1/4" = 1'-0"
SINGLE BOWL VANITY "VVC"



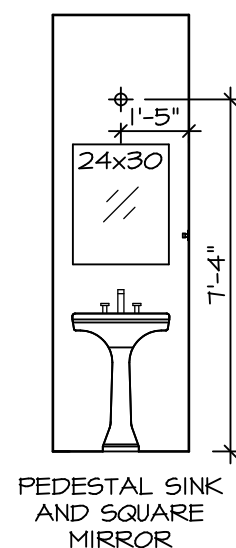
B BASEMENT BATH
SCALE: 1/4" = 1'-0"
BASEMENT BATH "AEB"



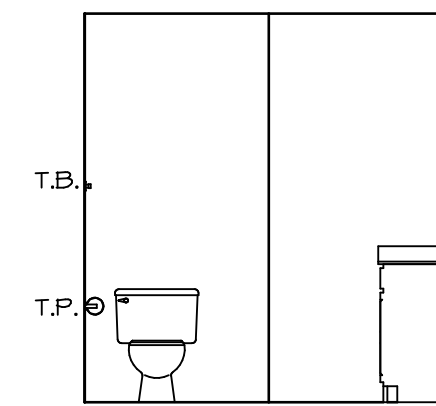
A BASEMENT BATH
SCALE: 1/4" = 1'-0"
BASEMENT BATH "AEB"



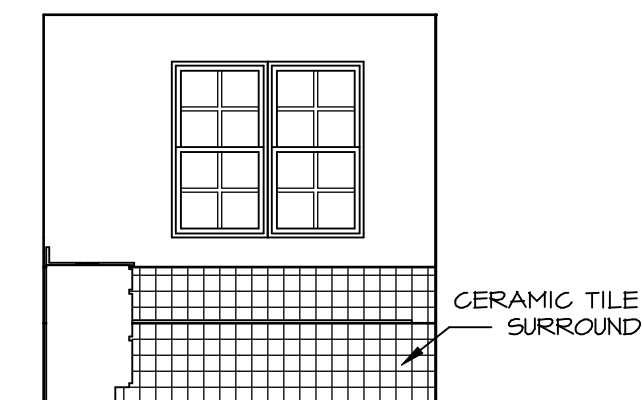
D POWDER ROOM
SCALE: 1/4" = 1'-0"



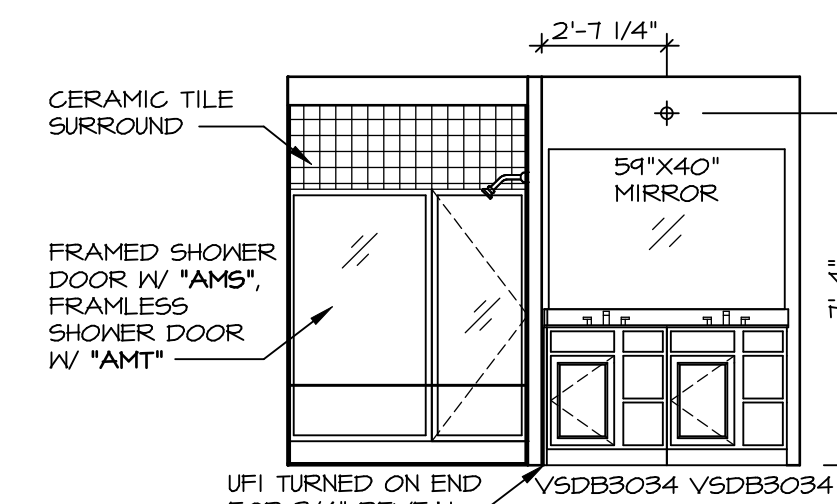
C POWDER ROOM
SCALE: 1/4" = 1'-0"



P OWNER'S BATH
SCALE: 1/4" = 1'-0"
OWNER'S BATHROOM W/ SOAKING TUB AND SHOWER GLASS SURROUND "AMF"



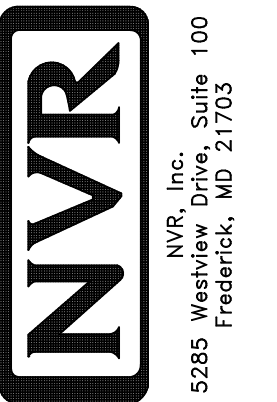
N OWNER'S BATH
SCALE: 1/4" = 1'-0"
OWNER'S BATHROOM W/ SOAKING TUB AND SHOWER GLASS SURROUND "AMF"



M OWNER'S BATH
SCALE: 1/4" = 1'-0"
OWNER'S BATHROOM W/ SOAKING TUB AND SHOWER GLASS SURROUND "AMF"

DIV-COMM-LOT-UNIT
DCY-TE-0062
COMM-LOT
TARA ESTATES - 0062
STREET ADDRESS
1454 TIMBER VALLEY DR
CITY
FRANKLIN
STATE
OH
APT. NO.
0706
ZIP
45005

© NVR, Inc. expressly reserves the right to modify or change these plans at any time without notice. These plans are not to be reproduced, changed or altered in any way without the written consent of NVR, Inc.



SET NO. CLM00
VERSION 01
DRAWN BY: ARY
DATE:
OPTION

MODEL
COLUMBIA
DRAWING TITLE
BATH ELEVATIONS
OPTION DESCRIPTION

SHEET NO.
A-13
46