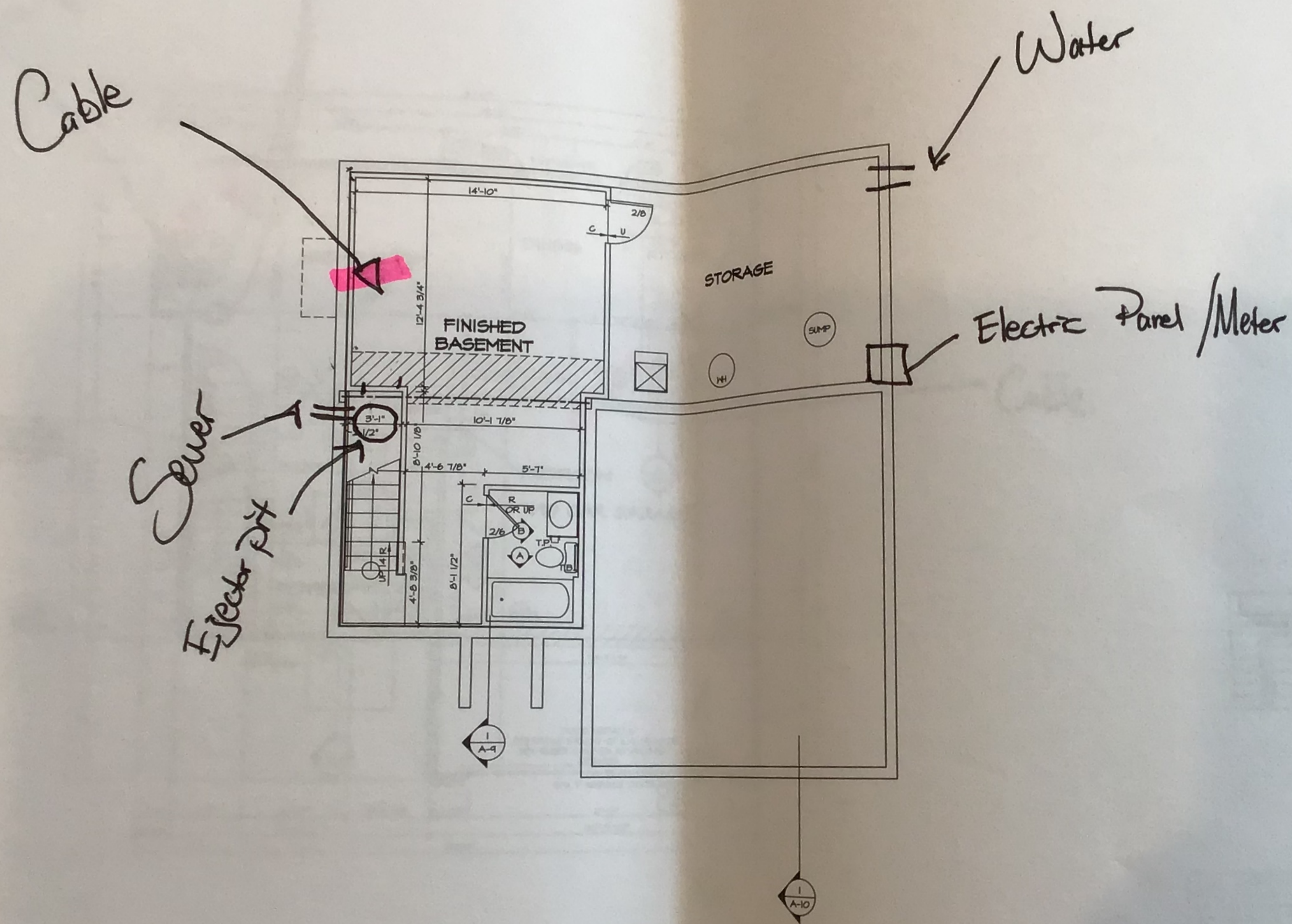


Guard Ion

J	JACKS
B	BEAM/HEADER
F	PAD FOOTING
C	STEEL COLUMN
X	PORTAL FRAME
X	JOIST/TRUSS
L	LVL
X	ENGINEERING PAGE NUMBER

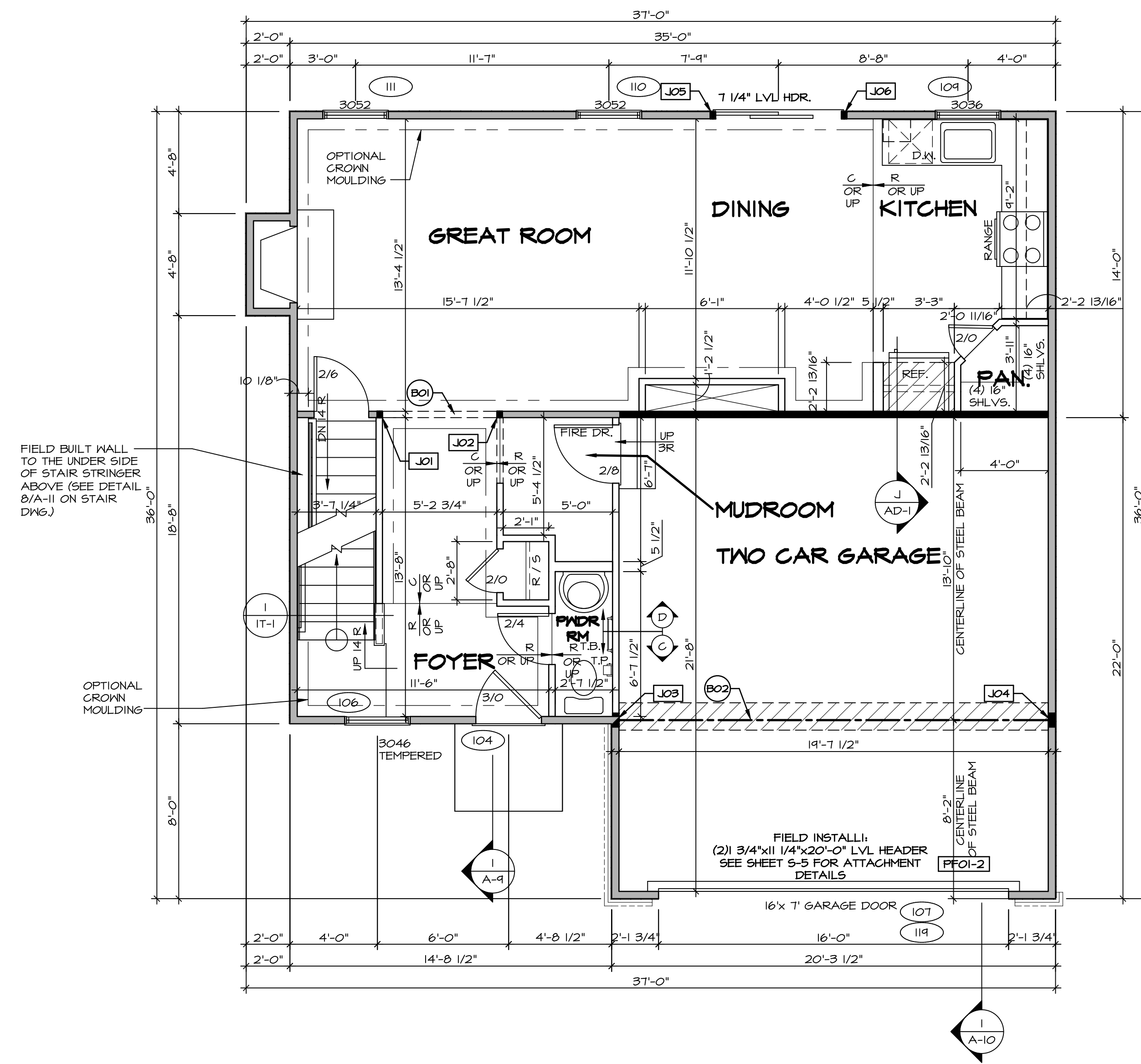
SEE FC DETAILS FOR FRAMING CONNECTORS

- FLOOR PLAN NOTES**
- ALL HEADERS ARE (2) 2x6 w/ 2x4 WALLS OR (3) 2x6 w/ 2x6 WALLS, UNLESS OTHERWISE NOTED.
 - ALL HEADERS TO HAVE (1) 2x4 OR 2x6 JACK EACH END, UNLESS OTHERWISE NOTED.
 - ALL EXTERIOR WALLS TO BE 4" AND ALL INTERIOR WALLS TO BE 5 1/2", UNLESS OTHERWISE NOTED.
 - HATCHED AREAS INDICATE DROPPED CEILING. ALL DROPPED CEILING ARE 12" UNLESS OTHERWISE NOTED.
 - SEE "BRACED WALL PANEL DETAIL SHEET" FOR SPECIAL WALL FRAMING LOCATIONS AND HEADER SIZES, IF APPLICABLE.
 - SEE STANDARD DETAIL CATEGORY "IT" SHEET(S) FOR INTERIOR TRIM DETAILS.
 - SEE ARCHITECTURAL DETAIL SHEET "AD" FOR HOUSE SPECIFIC INTERIOR TRIM OPTION TABLE.
 - ALL WINDOWS HAVE T-O 1/2" HEADER HEIGHT UNLESS OTHERWISE NOTED.
- GYPSUM NOTES**
- AT GARAGE:
GYPSUM BOARD AT COMMON WALLS, CEILINGS, BEAM WRAPS AND SUPPORTS PER STANDARD DETAIL FA-10) FIRE ASSEMBLIES OR AS REQUIRED BY LOCAL CODE.
- AT STAIRS:
1/2" GYPSUM BOARD AT UNDERSIDE OF STAIRS AND WALLS IN CLOSET



BASEMENT FLOOR PLAN
SCALE: 1/4" = 1'-0"

X. Buffo
Jud Hosaka



FIRST FLOOR PLAN
SCALE: 1/4" = 1'-0"

LEGEND

- BEARING WALL
- NON BEARING WALL
- JACKS
- BEAM/HEADER
- PAD FOOTING
- STEEL COLUMN
- PORTAL FRAME
- JOIST/TRUSS
- LVL
- ENGINEERING PAGE NUMBER

SEE FC DETAILS FOR FRAMING CONNECTORS

- FLOOR PLAN NOTES**
- ALL HEADERS ARE (2) 2x6 w/ 2x4 WALLS OR (3) 2x6 w/ 2x6 WALLS, UNLESS OTHERWISE NOTED.
 - ALL HEADERS TO HAVE (1) 2x4 OR 2x6 JACK AND KING STUD EACH END, UNLESS OTHERWISE NOTED.
 - ALL EXTERIOR WALLS TO BE 4" w/ OSB OR 3 1/2" w/ T-PLY. ALL INTERIOR WALLS TO BE 3 1/2", UNLESS OTHERWISE NOTED.
 - HATCHED AREAS INDICATE DROPPED CEILINGS. ALL DROPPED CEILINGS ARE 12' UNLESS OTHERWISE NOTED.
 - SEE "BRACED WALL PANEL DETAIL SHEET" FOR SPECIAL WALL FRAMING LOCATIONS AND HEADER SIZES, IF APPLICABLE.
 - SEE STANDARD DETAIL CATEGORY "IT" SHEET(S) FOR INTERIOR TRIM DETAILS.
 - SEE ARCHITECTURAL DETAIL SHEET "AD" FOR HOUSE SPECIFIC INTERIOR TRIM OPTION TABLE.
 - ALL WINDOWS HAVE 1'-0 1/2" HEADER HEIGHT UNLESS OTHERWISE NOTED.
 - ALL HEADERS IN NON-BEARING WALLS SHALL BE A SINGLE FLAT 2x4 OR 2x6 ATTACHED TO GRIPPLERS ABOVE, UNLESS OTHERWISE NOTED.

- GYPSUM NOTES**
- AT GARAGE:
GYPSUM BOARD AT COMMON WALLS, CEILINGS, BEAM WRAPS AND SUPPORTS PER STANDARD DETAIL FA-1(b) FIRE ASSEMBLIES OR AS REQUIRED BY LOCAL CODE.
- AT STAIRS:
1/2" GYPSUM BOARD AT UNDERSIDE OF STAIRS AND WALLS IN CLOSET

FIRST FLOOR JACK SCHEDULE

IDENTIFIER	DESCRIPTION	OPTIONS	ENS. NUM.	FIELD INSTALLED
J01	JACK - (2) 2X4 SFF STUD GRADE		103	
J02	JACK - (2) 2X4 SFF STUD GRADE		103	
J03	JACK - (5) 2X4 SFF#1	GCB / GCC	105	
J04	JACK - (5) 2X4 SFF#1	GCB / GCC	105	
J05	JACK - (2) 2X4 SFF STUD GRADE	DGT	104	
J06	JACK - (2) 2X4 SFF STUD GRADE	DGT	104	

- LVL PLY TO PLY FASTENING SCHEDULE:**
- 1.A - (2) PLY UP TO AND INCLUDING 11 7/8" TALL; FASTEN PLYS W/ (2) ROWS 16D NAILS AT 12" O.C.
 - 2.A - (2) PLY 14" TO AND 18" TALL (INCLUSIVE); FASTEN PLYS W/ (3) ROWS 16D NAILS AT 12" O.C.
 - 3.A - (2) PLY 20" TALL AND OVER; FASTEN PLYS W/ (4) ROWS 16D NAILS AT 12" O.C.
 - 4.A - (3) PLY UP TO AND INCLUDING 11 7/8" TALL; FASTEN PLYS W/ (2) ROWS 16D NAILS AT 12" O.C. FROM EACH SIDE
 - 5.A - (3) PLY 14" TO AND 18" TALL (INCLUSIVE); FASTEN PLYS W/ (3) ROWS 16D NAILS AT 12" O.C. FROM EACH SIDE
 - 6.A - (3) PLY 20" TALL AND OVER; FASTEN PLYS W/ (4) ROWS 16D NAILS AT 12" O.C. FROM EACH SIDE

FIELD INSTALLED FIRST FLOOR BEAM/HEADER SCHEDULE

IDENTIFIER	DESCRIPTION	LENGTH	OPTIONS	ENS. NUM.	REMARKS
B01	INT HEADER - 2X8 - 2 PLY	5'-8 3/4"		103	
B02	BEAM STEEL - W12X26	20'-2"	SRI / SXS / FBA / FCA	105	
FFOI-2	LVL - 11-04	20'-0"	GCB	119	PORTAL FRAME, 2 PLY, 1.A

REMARKS

REV. NO.	DATE	DESCRIPTION
1	08/05/16	N.L. - DRAWING ALIGNMENT
2	7/7/17	DRH - T-PLY CONVERSION

NVR, Inc., owner, expressly warrants the common rights in these plans. These plans are not to be reproduced, changed, copied in any way, or used for any other purpose without the written consent of NVR, Inc.

NVR
Architectural Services
5285 Washington Blvd
Frederick, MD 21703

SET NO. SIECO
VERSION 05
DRAWN BY
DATE: 2/2/2015
OPTION

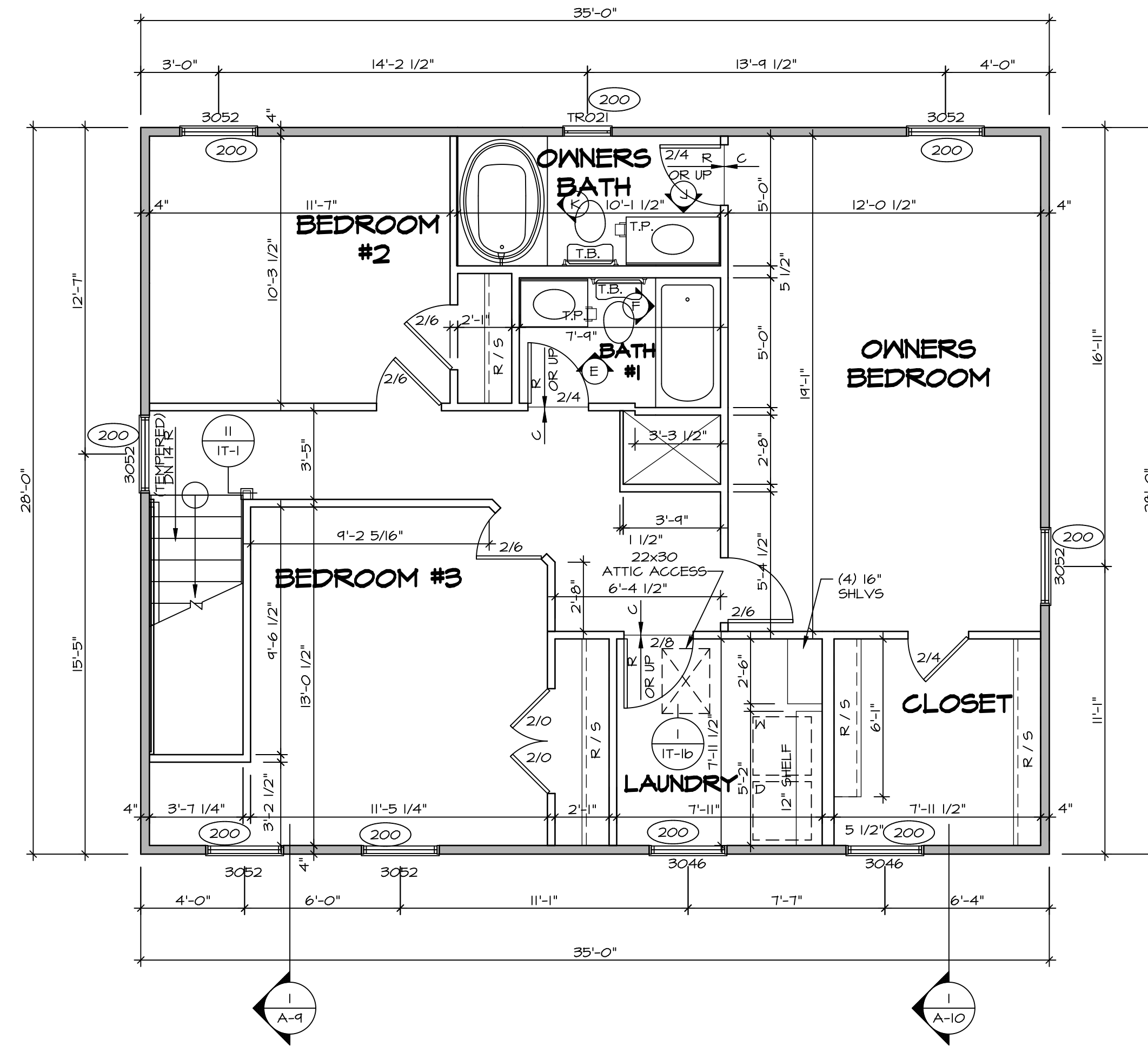
MODEL: SIENNA
DRAWING TITLE: FIRST FLOOR PLAN
OPTION DESCRIPTION

SHEET NO. A-7
24

LEGEND	
	BEARING WALL
	NON BEARING WALL
	INDICATES BEARING FROM POINT-LOAD ABOVE
	JACKS
	BEAM/HEADER
	PAD FOOTING
	STEEL COLUMN
	PORTAL FRAME
	JOIST/TRUSS
	LVL
	ENGINEERING PAGE NUMBER
SEE FC DETAILS FOR FRAMING CONNECTORS	

FLOOR PLAN NOTES

1. ALL HEADERS ARE (2) 2x6 w/ 2x4 WALLS OR (3) 2x6 w/ 2x6 WALLS, UNLESS OTHERWISE NOTED.
2. ALL HEADERS TO HAVE (1) 2x4 OR 2x6 JACK AND KING STUD EACH END, UNLESS OTHERWISE NOTED.
3. ALL EXTERIOR WALLS TO BE 4" w/ OSB OR 3 1/2" w/ T-PLY, ALL INTERIOR WALLS TO BE 3 1/2", UNLESS OTHERWISE NOTED.
4. HATCHED AREAS INDICATE DROPPED CEILINGS. ALL DROPPED CEILINGS ARE 12" UNLESS OTHERWISE NOTED.
5. SEE "BRACED WALL PANEL DETAIL SHEET" FOR SPECIAL WALL FRAMING LOCATIONS AND HEADER SIZES, IF APPLICABLE.
6. SEE STANDARD DETAIL CATEGORY "IT" SHEET(S) FOR INTERIOR TRIM DETAILS.
7. SEE ARCHITECTURAL DETAIL SHEET "AD" FOR HOUSE SPECIFIC INTERIOR TRIM OPTION TABLE.
8. ALL WINDOWS HAVE 7'-0 1/2" HEADER HEIGHT UNLESS OTHERWISE NOTED.
4. ALL HEADERS IN NON-BEARING WALLS SHALL BE A SINGLE FLAT 2X4 OR 2X6 ATTACHED TO CRIPPLES ABOVE, UNLESS OTHERWISE NOTED.

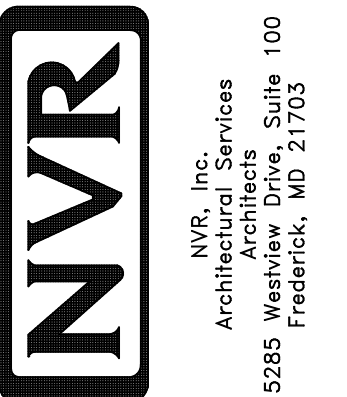


SECOND FLOOR PLAN
SCALE: 1/4" = 1'-0"

REMARKS

REV. NO.	DATE	DESCRIPTION
1	08/05/16	N.L. - DRAWING ALIGNMENT
2	7/7/17	DRH - T-PLY CONVERSION

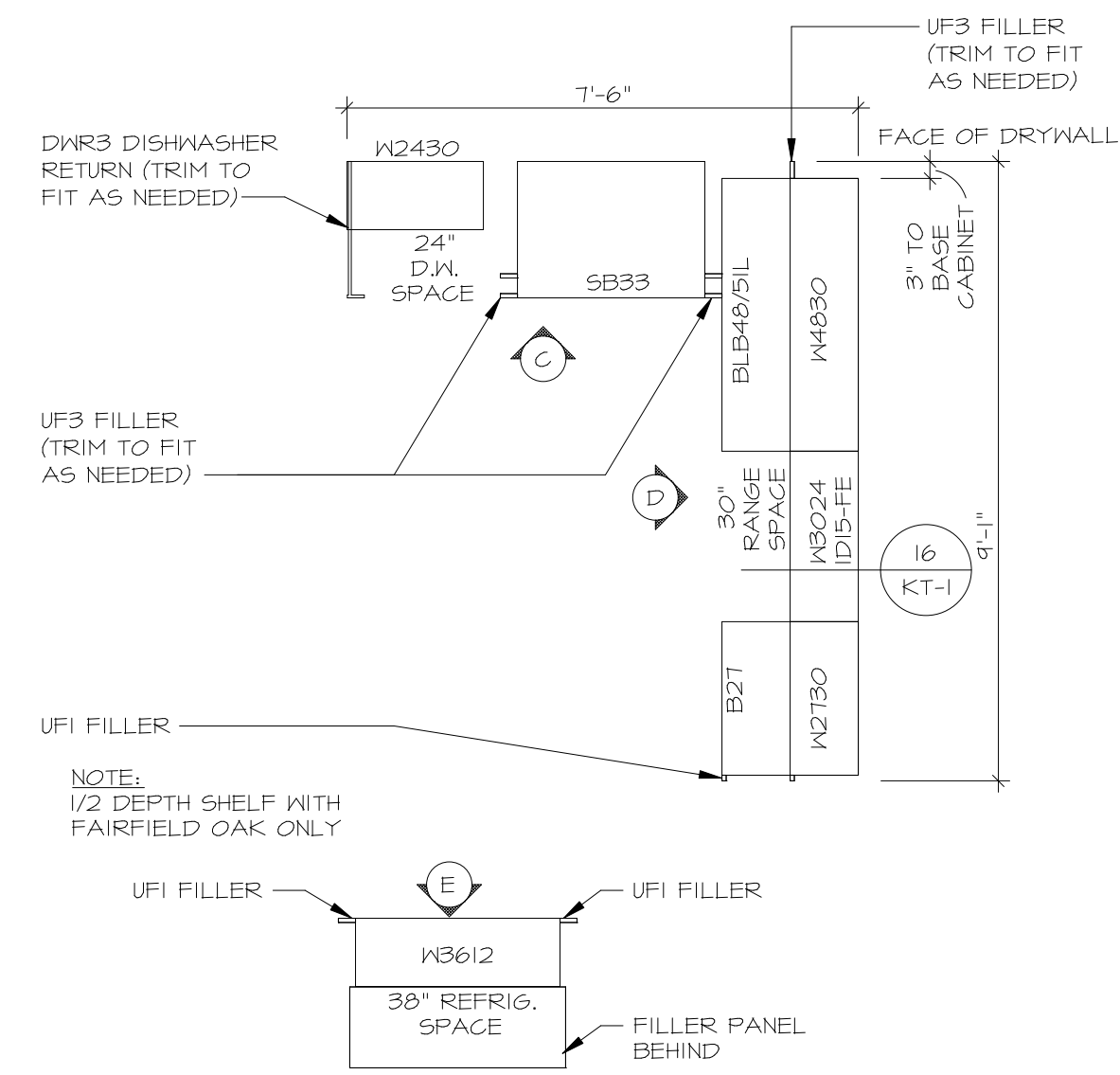
NVR, Inc., owner, expressly reserves its copyright in these plans. These plans are not to be reproduced, changed, copied, or otherwise used in any way without the written consent of NVR, Inc.



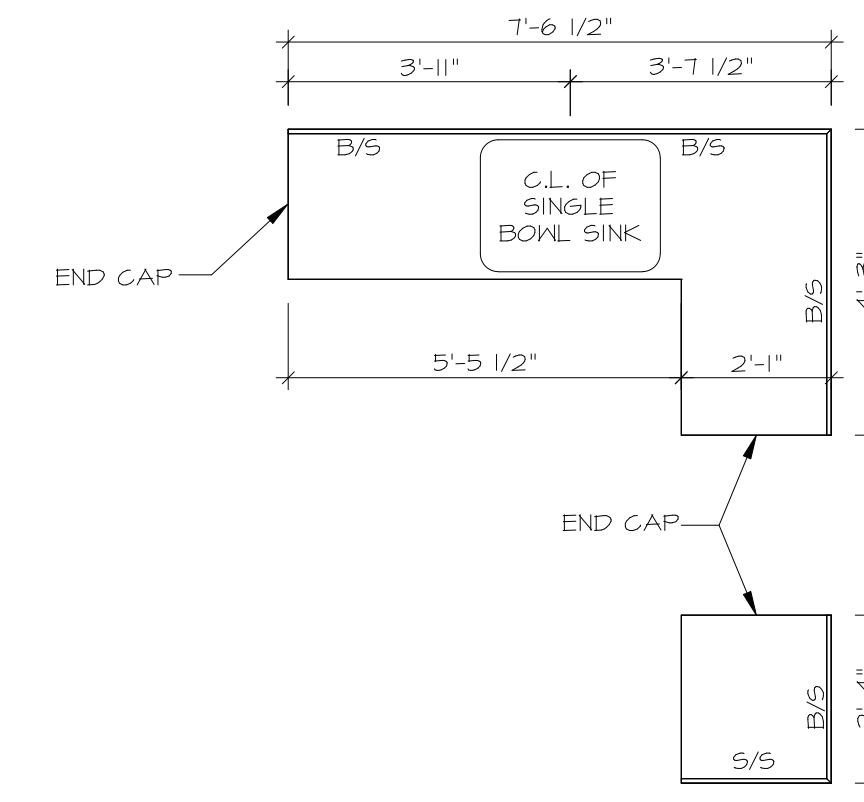
SET NO. SIECO
VERSION 05
DRAWN BY
DATE: 2/2/2015
OPTION

MODEL
SIENNA
DRAWING TITLE
SECOND FLOOR PLAN
OPTION DESCRIPTION

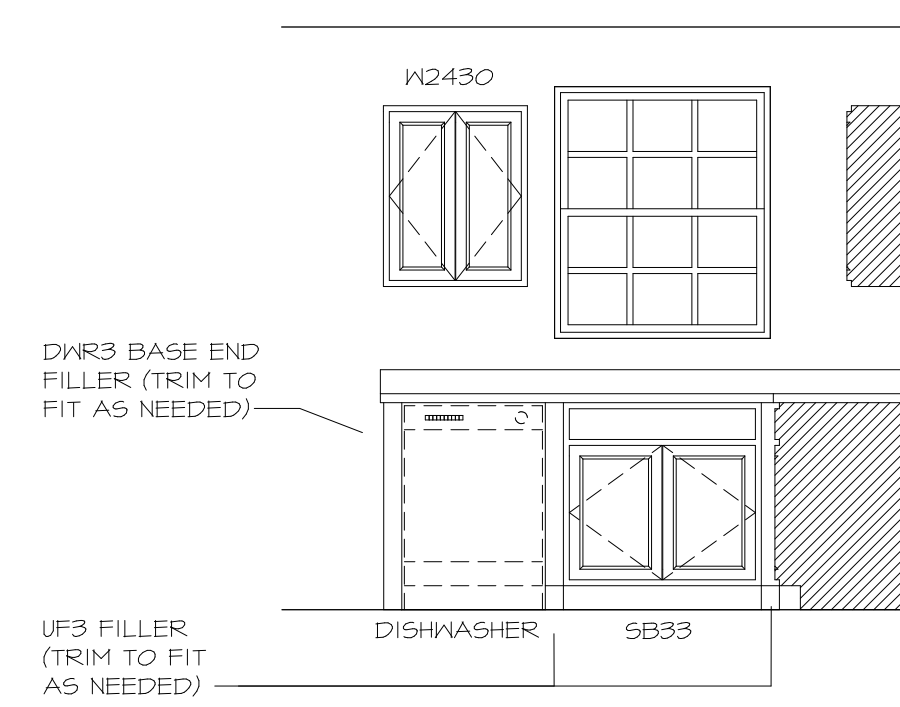
SHEET NO.
A-8
26



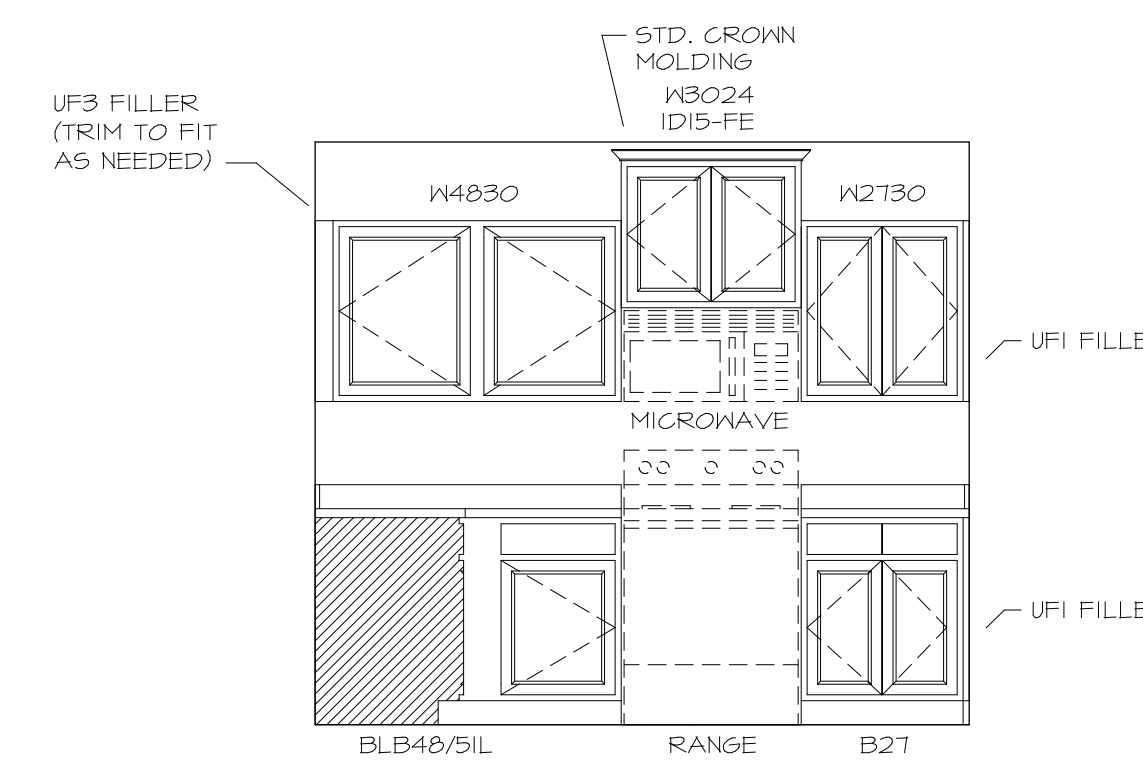
1 **CABINET PLAN - KC-1924**
 SCALE: 3/8" = 1'-0" STANDARD KITCHEN w/
 30" WALL CABINETS



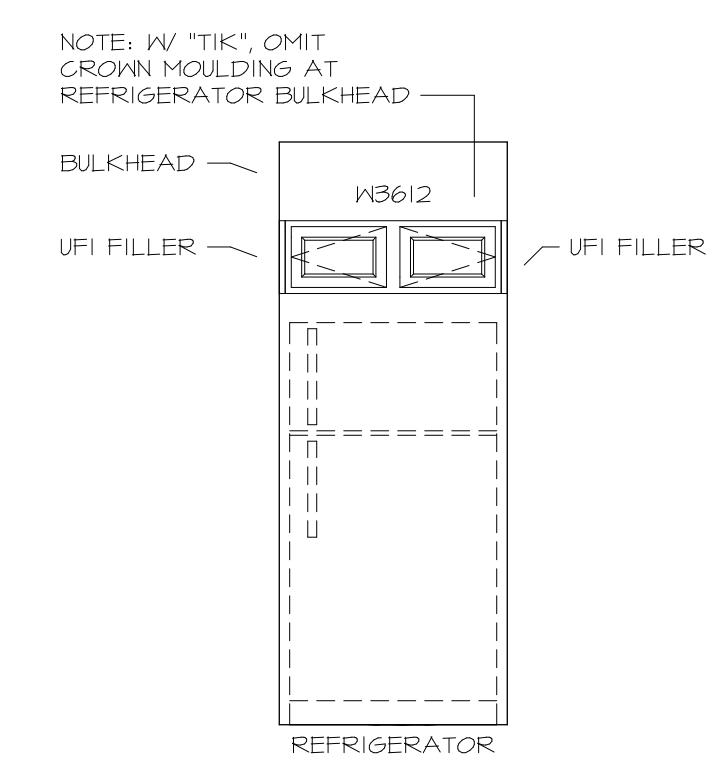
3 **COUNTERTOP PLAN - KT-1924**
 SCALE: 3/8" = 1'-0" STANDARD KITCHEN w/
 30" WALL CABINETS



C **KITCHEN ELEVATION**
 SCALE: 3/8" = 1'-0"



D **KITCHEN ELEVATION**
 SCALE: 3/8" = 1'-0"

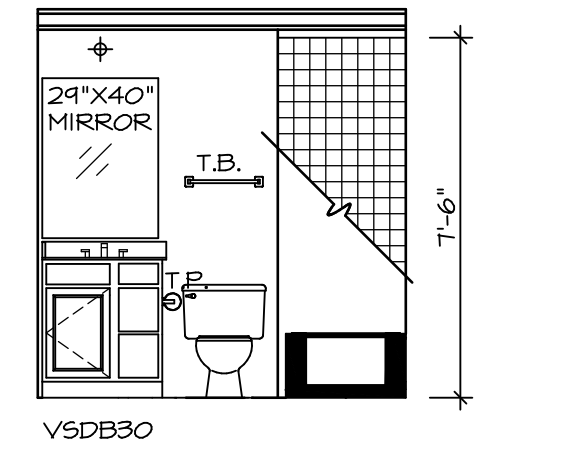


E **KITCHEN ELEVATION**
 SCALE: 3/8" = 1'-0"

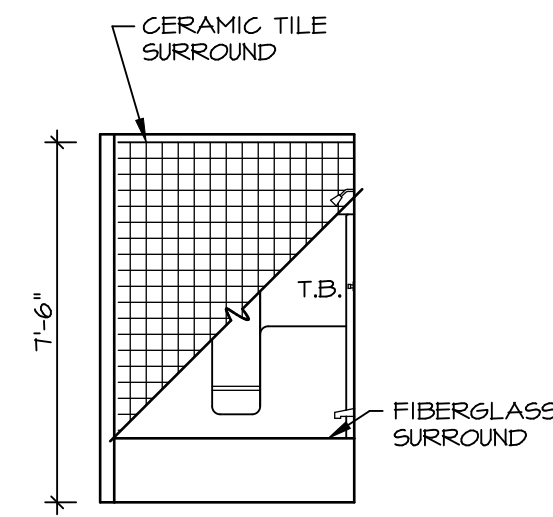
SHEET NO.	MODEL	SET NO.	VERSION	DATE	OPTION	REVISIONS	REMARKS
A-12	SIENNA KITCHENS	05	05	2/2/2015			
32							

NVR, Inc., owner, expressly reserves its common law copyright in these architectural plans. These plans are not to be reproduced, changed, copied, or otherwise used in any way without the written consent of NVR, Inc.

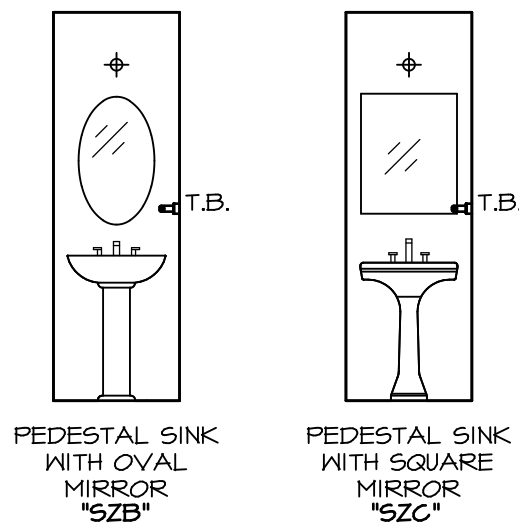




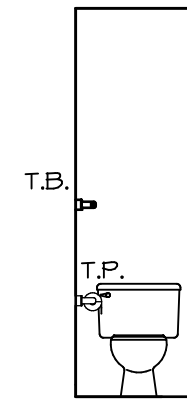
B BASEMENT POWDR. RM. W/ TUB
SCALE: 1/4" = 1'-0"



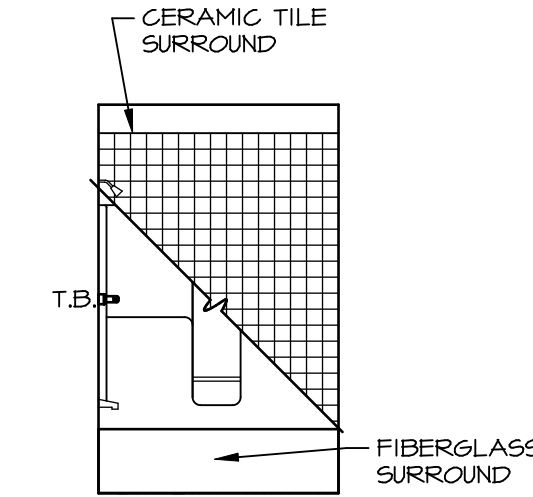
A BASEMENT POWDR. RM. W/ TUB
SCALE: 1/4" = 1'-0"



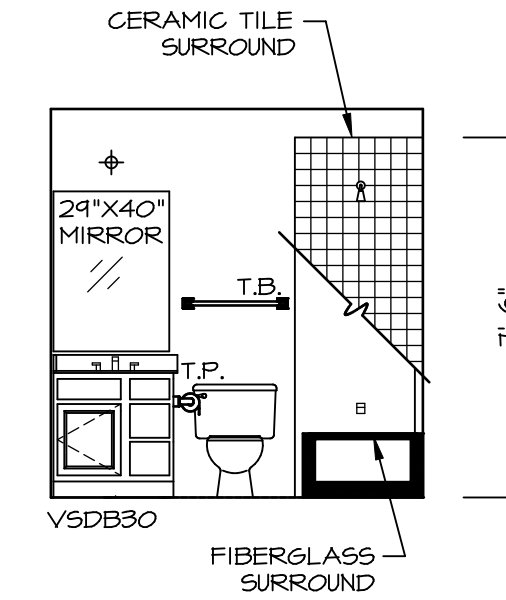
D POWDER ROOM
SCALE: 1/4" = 1'-0"



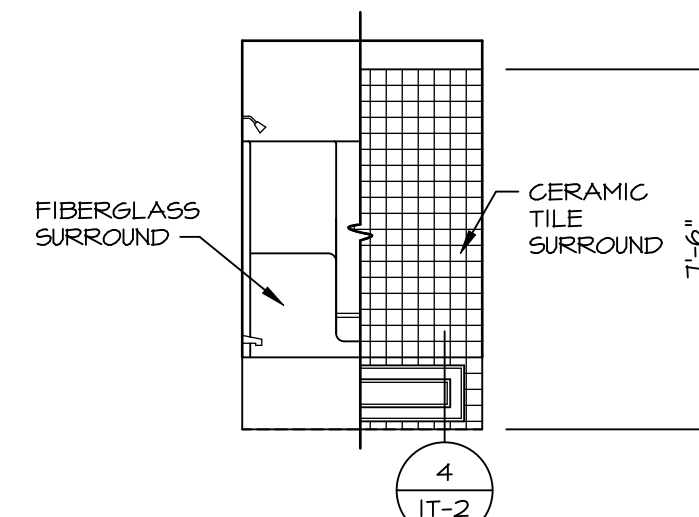
C POWDER ROOM
SCALE: 1/4" = 1'-0"



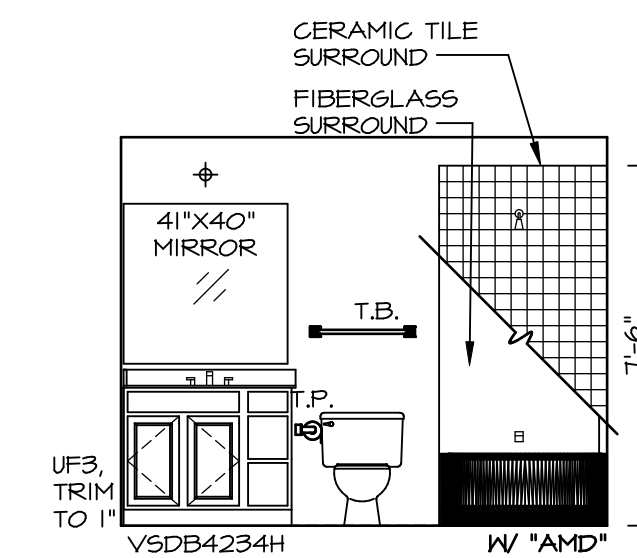
F BATH #1
SCALE: 1/4" = 1'-0"



E BATH #1
SCALE: 1/4" = 1'-0"



K OWNER'S BATH (AMD)
SCALE: 1/4" = 1'-0"



J OWNER'S BATH (AMD)
SCALE: 1/4" = 1'-0"

NOTES:

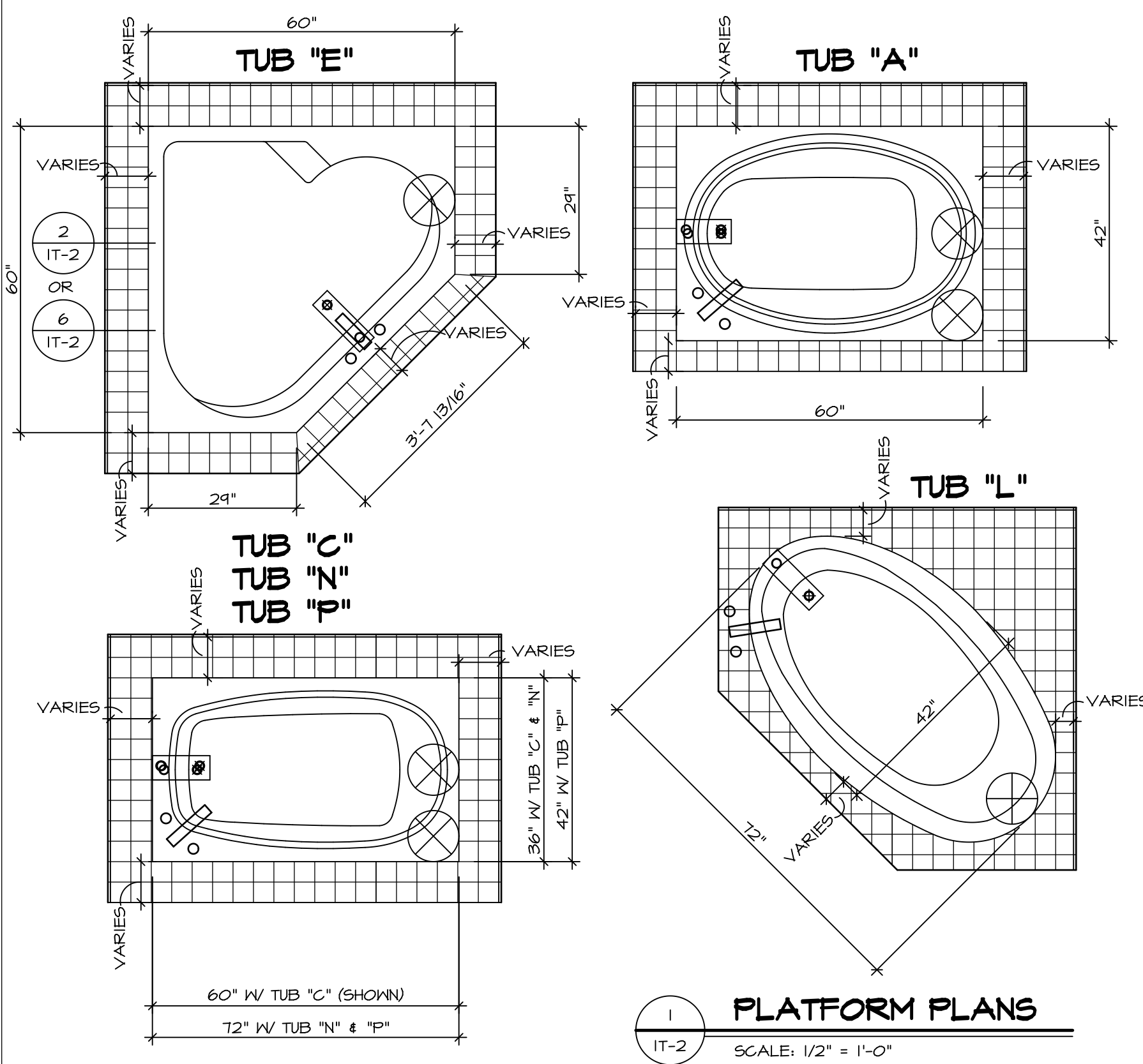
1. TEMPERED GLASS SHOWER ENCLOSURE WITH SWING DOOR OR OPTIONAL SLIDING DOOR BY DIVISION
2. TUB ACCESS PANELS PROVIDED AS NEEDED, ALL MATERIALS BY DIVISION
3. REFER TO SHEET D-II FOR TUB AND SHOWER DETAILS.
4. ALL V5DB24-42 DRAWERS TO BE SET ON RIGHT HAND.
5. BATH ELEVATIONS ARE SHOWN PER PLAN.

REV. NO.	DATE	REMARKS
1	08/05/16	N.L. - DRAWING ALIGNMENT

NVR, Inc., owner, expressly reserves its copyright in these plans. These plans are not to be reproduced, changed, copied, or otherwise used in any way without the prior written consent of NVR, Inc.

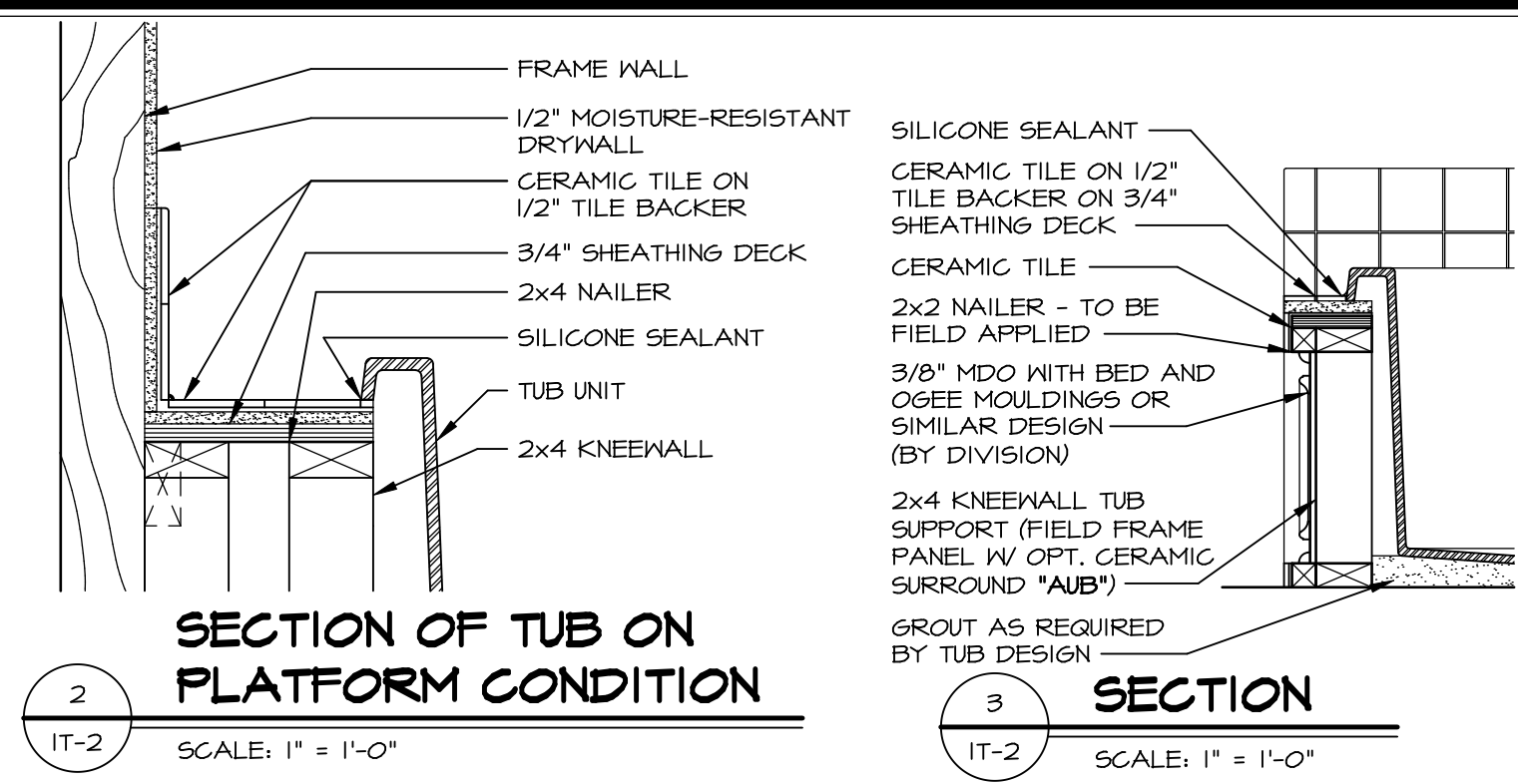
NVR
Architectural Services
5285 Westwood Drive, Suite 100
Frederick, MD 21703

SHEET NO.	MODEL	SET NO.	VERSION	DATE	OPTION
A-13	SIENNA DRAWING TITLE BATH ELEVATIONS	05	05	4/2/15	C5B
33	OPTION DESCRIPTION				

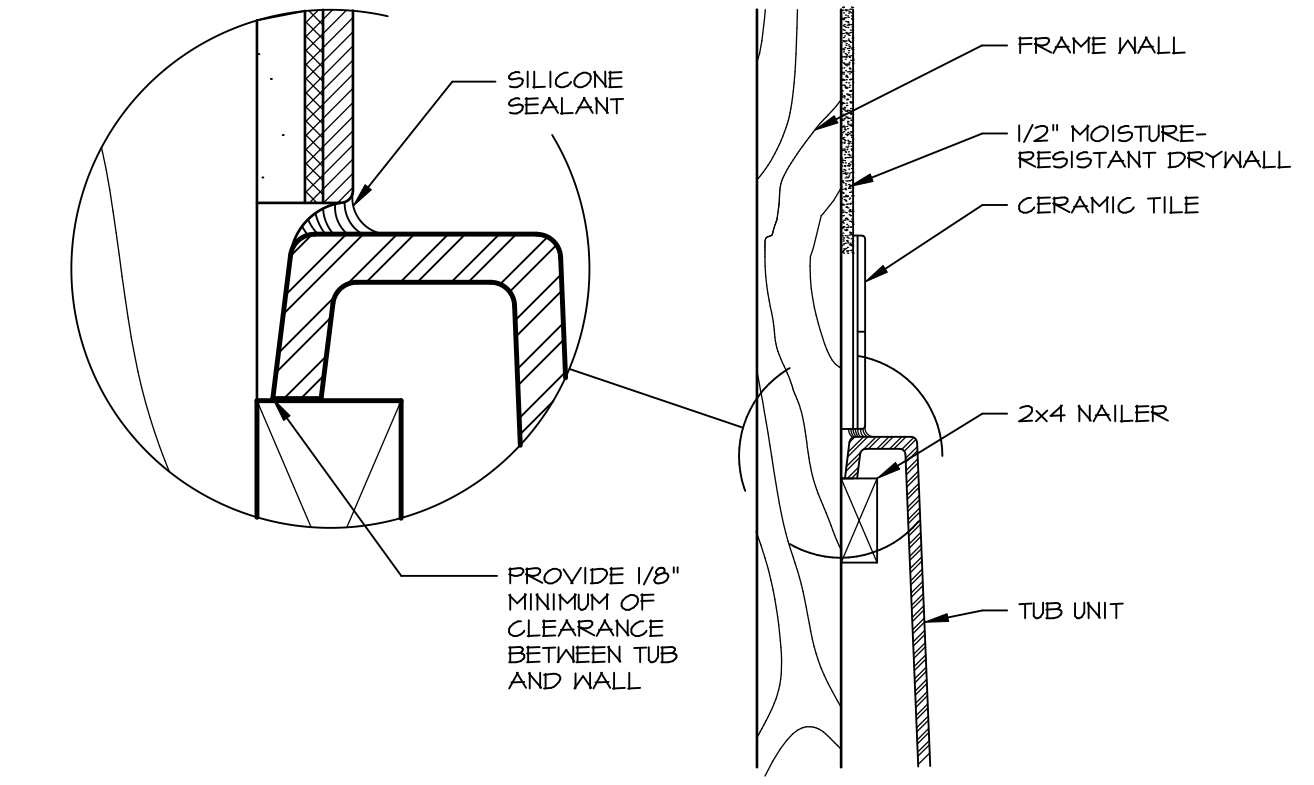


1 PLATFORM PLANS
SCALE: 1/2" = 1'-0"

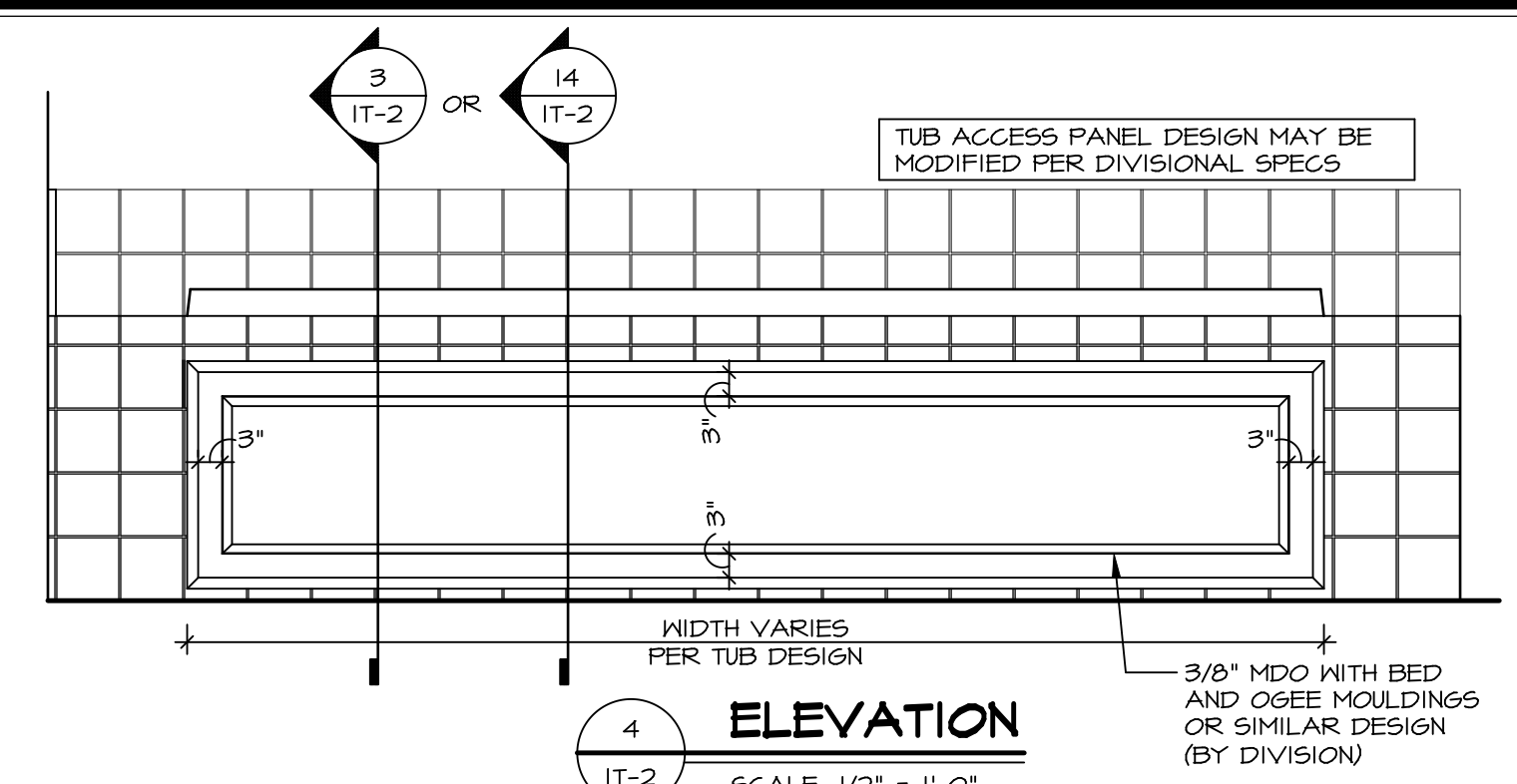
TUB	MANUF.	HEIGHT	WIDTH	LENGTH	TUB DECK PANEL HEIGHT
"A"	KOHLER/STERLING	18 3/4"	42"	60"	17 1/8"
"C"	KOHLER/STERLING	18 3/4"	36"	60"	17 1/8"
"E"	KOHLER/STERLING	19 1/2"	60"	60"	17 7/8"
"L"	KOHLER/STERLING	18 1/2"	42"	72"	16 7/8"
"N"	KOHLER/STERLING	18 3/4"	36"	72"	17 1/8"
"P"	KOHLER/STERLING	18 3/4"	42"	72"	17 1/8"



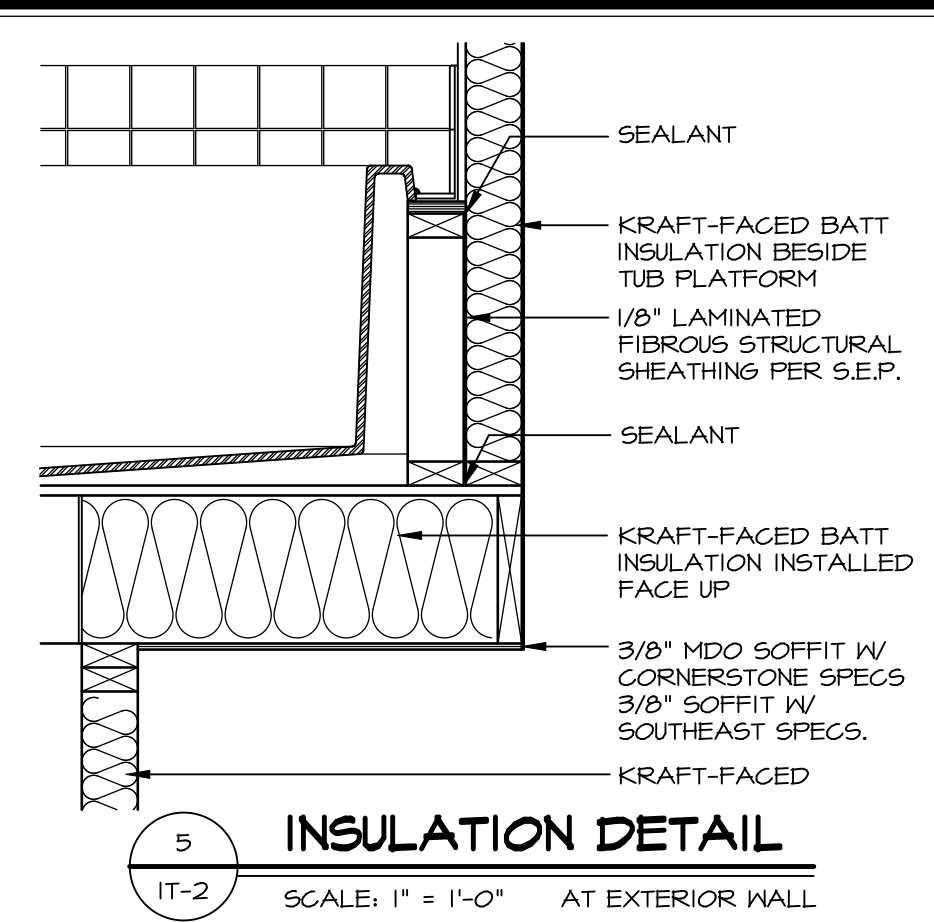
2 SECTION OF TUB ON PLATFORM CONDITION
SCALE: 1" = 1'-0"



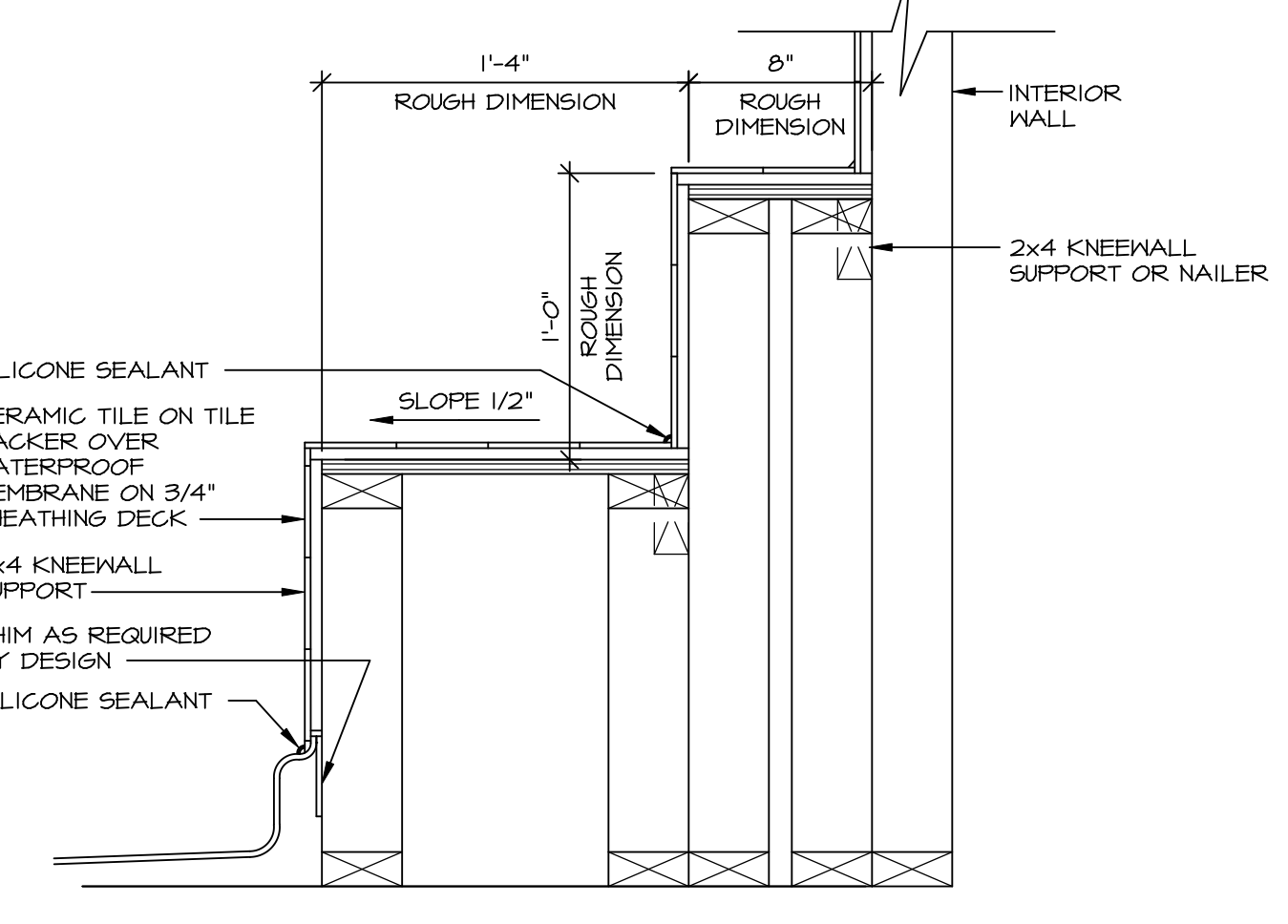
3 SECTION OF TUB TO WALL CONDITION
SCALE: 1" = 1'-0"



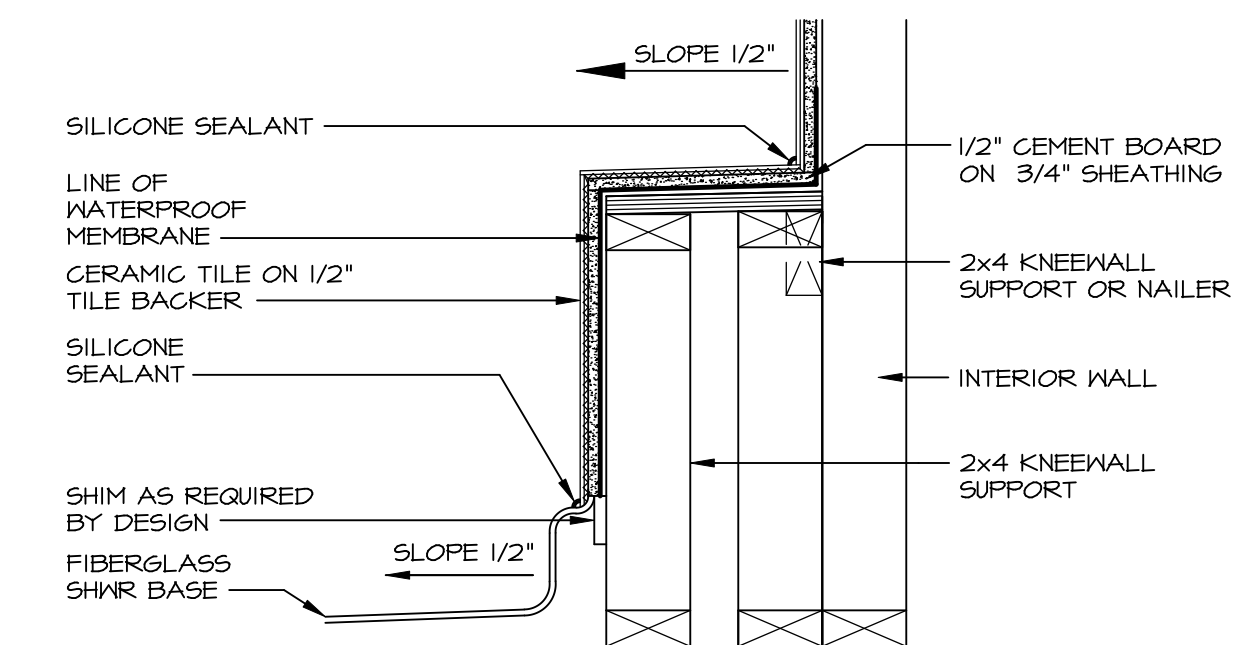
4 ELEVATION
SCALE: 1/2" = 1'-0"



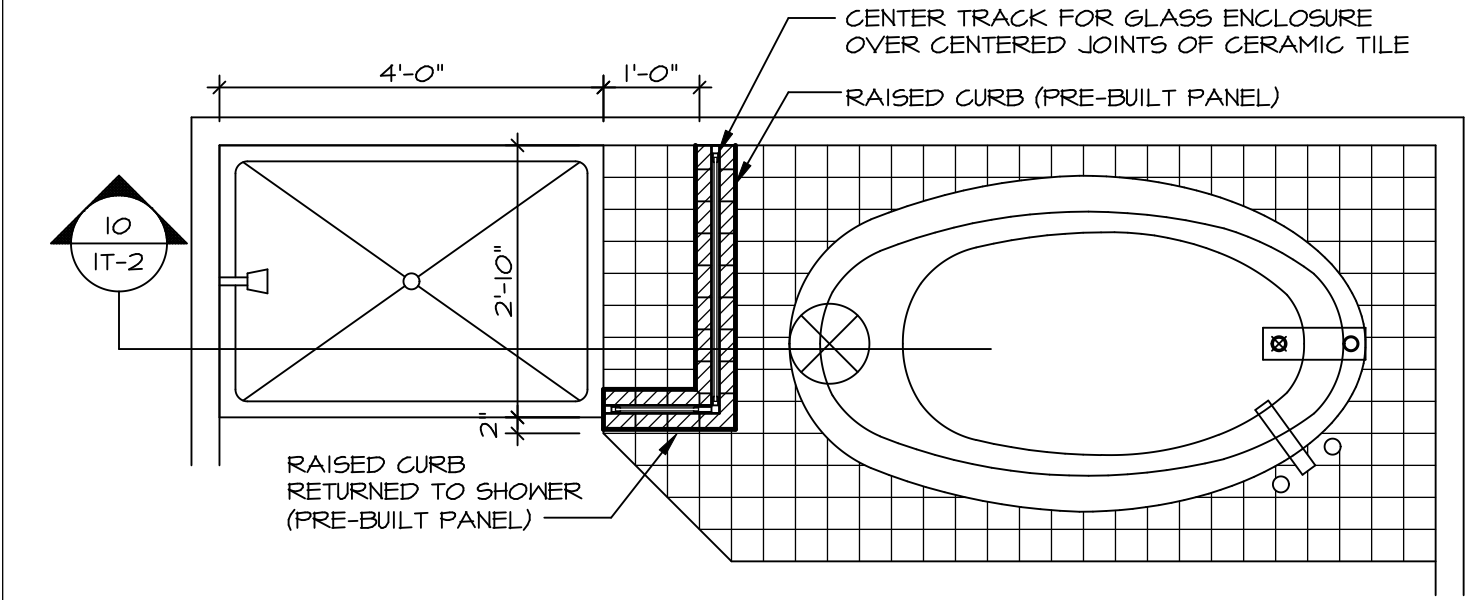
5 INSULATION DETAIL
SCALE: 1" = 1'-0" AT EXTERIOR WALL



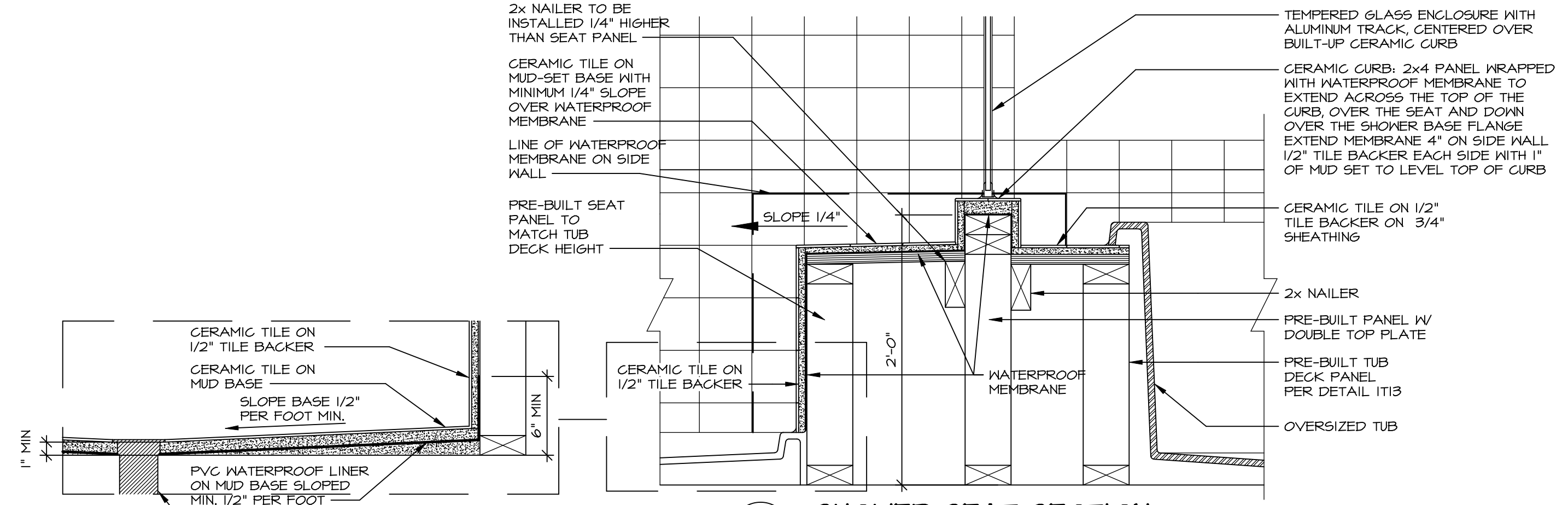
7 SECTION OF SHOWER SEAT AND SHELF
SCALE: 1/2" = 1'-0"



8 SECTION OF SHOWER SEAT
SCALE: 1/2" = 1'-0" FIBERGLASS SHOWER BASE



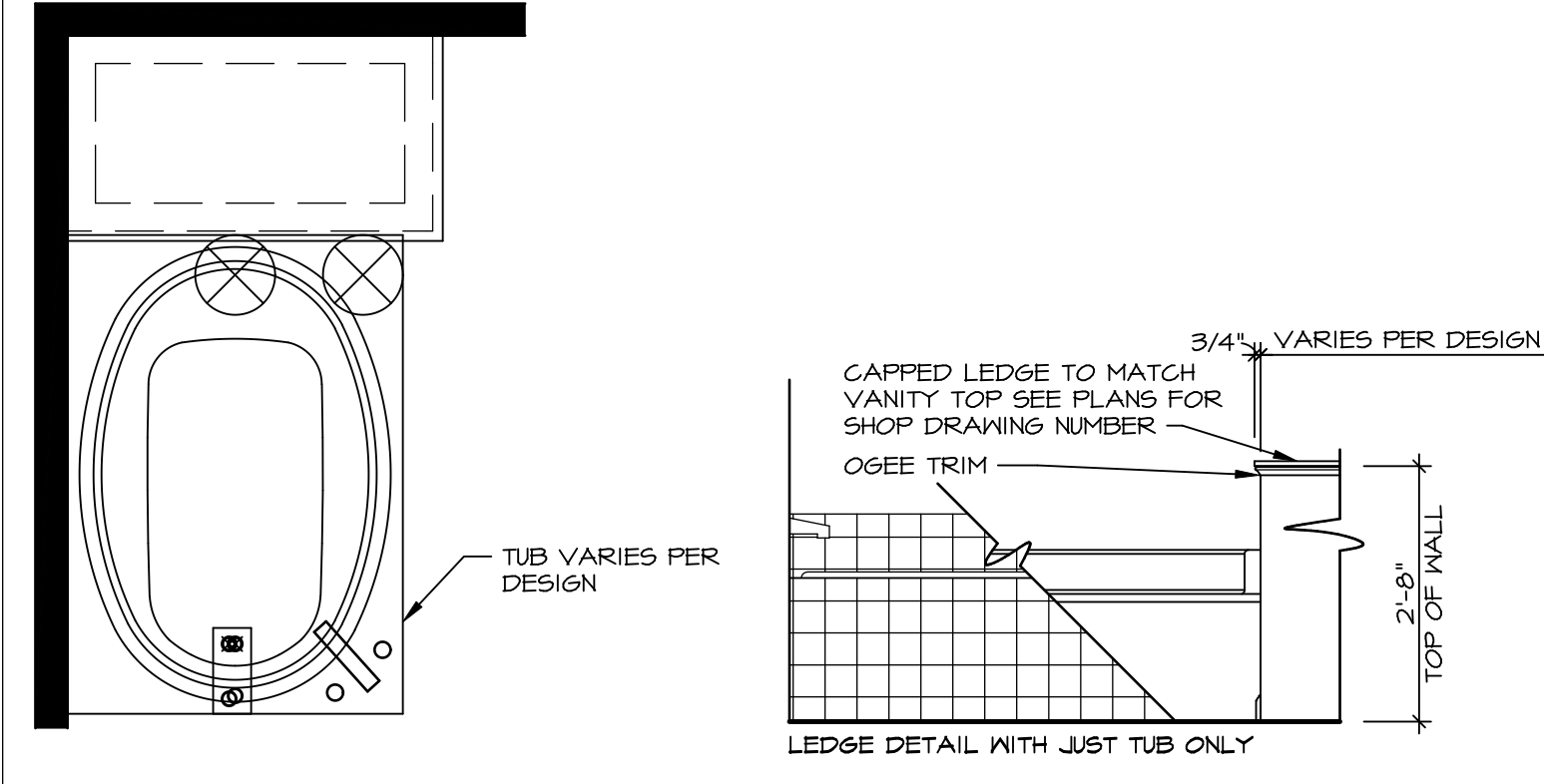
9 SHOWER SEAT PLAN / DETAIL
SCALE: 1/2" = 1'-0"



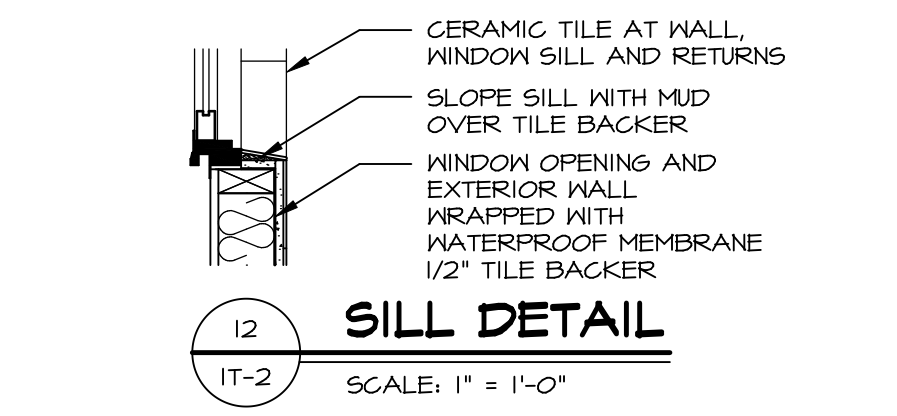
10 SHOWER SEAT SECTION
SCALE: 1/2" = 1'-0"



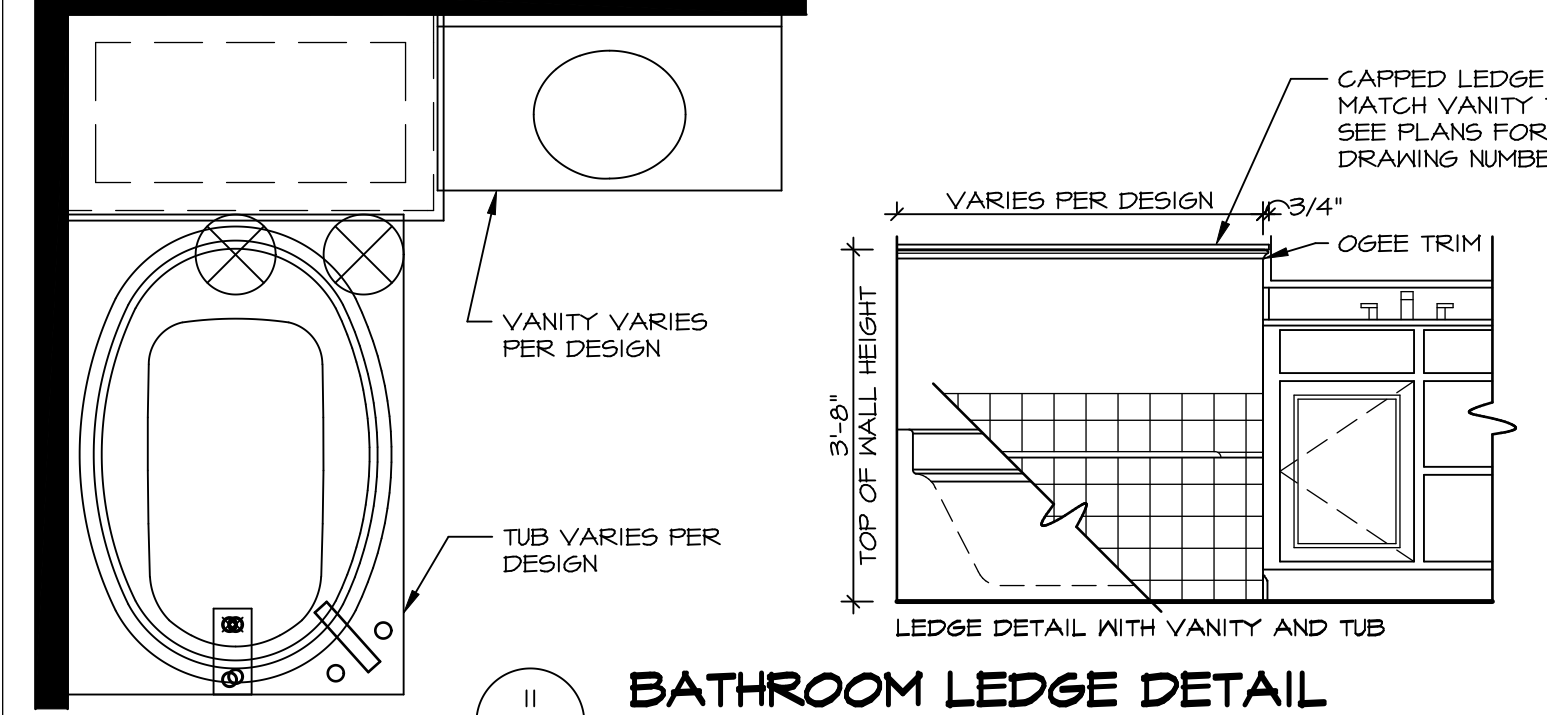
11 ALTERNATE SHOWER PAN DETAIL
SCALE: 1/2" = 1'-0"



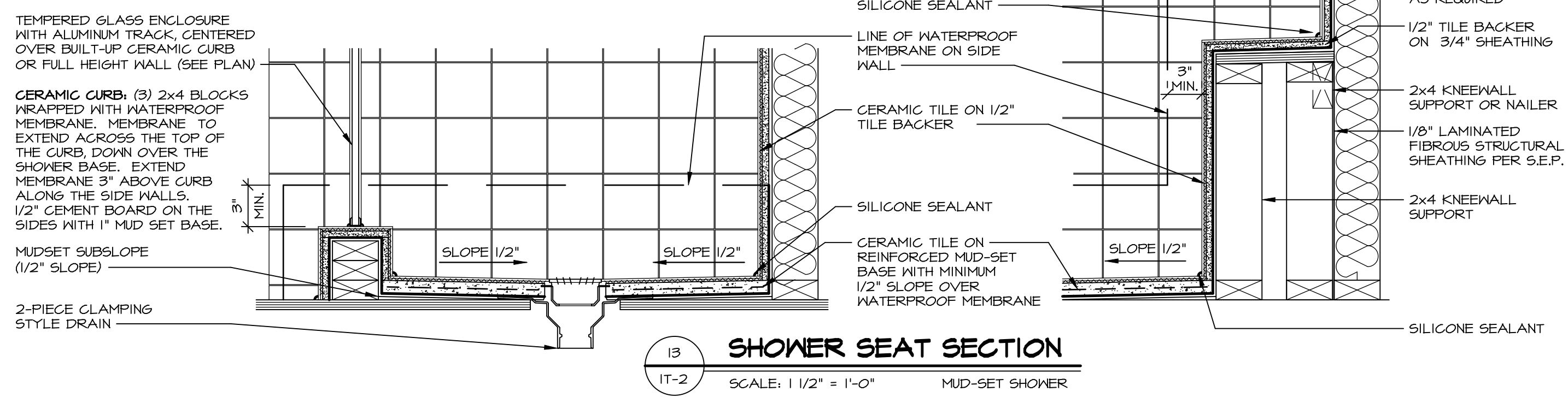
12 BATHROOM LEDGE DETAIL
SCALE: 1/2" = 1'-0"



13 SILL DETAIL
SCALE: 1" = 1'-0"



14 BATHROOM LEDGE DETAIL
SCALE: 1/2" = 1'-0"



15 SHOWER SEAT SECTION
SCALE: 1/2" = 1'-0" MUD-SET SHOWER

REVISIONS

REV. NO.	DATE	DESCRIPTION
1	5/1/17	EBP - REVISED DETAIL 1 AND 11 TO REMOVE TUB ACCESS PANEL REF. (099 #15 3/4" x 1/2")
2	9/2/17	EBP - REVISED T-FLY NOTE TO CALL OUT LFS
3	9/2/17	EBP - REVISED NOTE ON DETAIL #1 - REVISED ORDER OF MATERIAL PAR#49304
4	8/28/18	EBP - DTL 8 / 19 ME REMOVED THE 2X6 BALKING AT BASE OF SHWR REQUEST #4663

NVR, Inc., owner, expressly reserves its common law copyright and other property rights in these plans. These plans are not to be reproduced, stored in a retrieval system, or transmitted in any form or by any means, electronic, mechanical, photocopying, recording, or by any information storage and retrieval system, without first obtaining the expressed written consent of NVR, Inc.

NVR
Architectural Services
5285 West... Suite 100
Frederick, MD 21703

SET NO. NVR
VERSION
DRAWN BY
DATE:
OPTION

MODEL
STANDARD DETAILS
DRAWING TITLE
INTERIOR TRIM DETAILS
BATH DETAILS
OPTION DESCRIPTION

SHEET NO.
IT-2