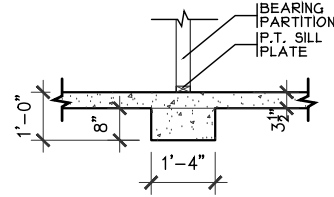


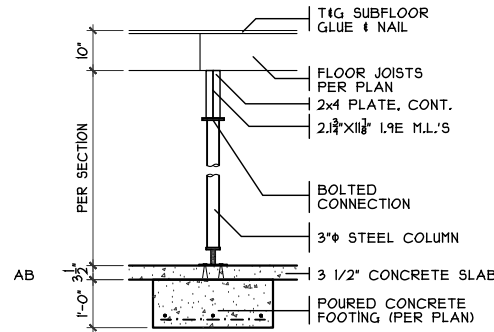
TG 270
649 Red Maple Lane
Wilmington, OH 45177

1 story basement
unfinished basement - 3 pc rough
AA on kitchen
2 hose bibs - no valves required
ice maker
1 tub
1 shower
House pays to add pressure regulator - install it
Laundry Tub

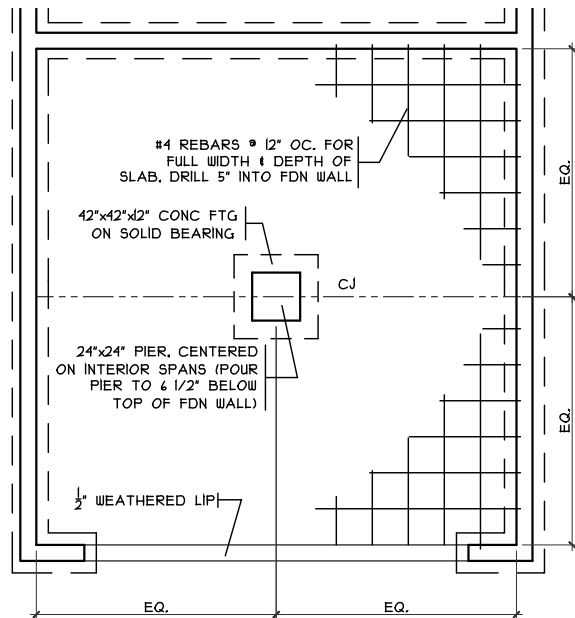
Gas Furnace



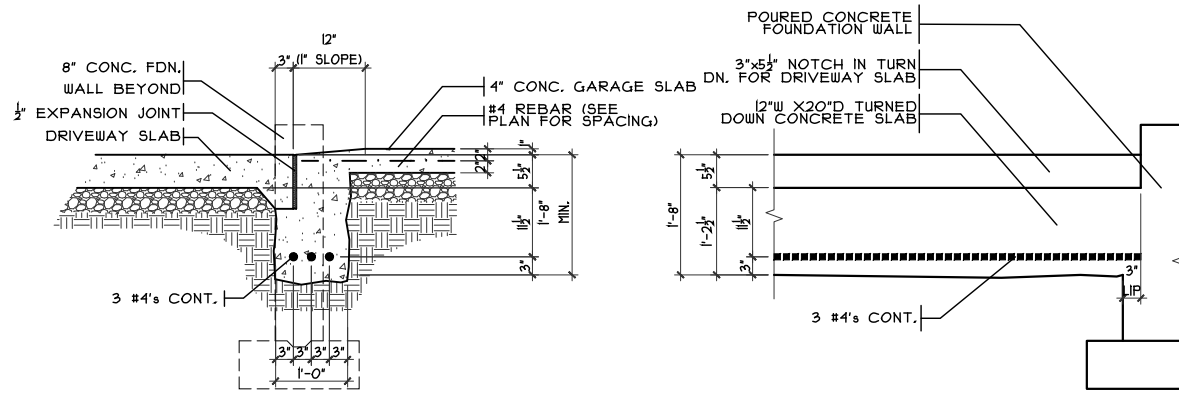
BRG. WALL FOOTER
SCALE: 1/4" = 1'-0"



COLUMN DETAIL
SCALE: 3/8" = 1'-0"



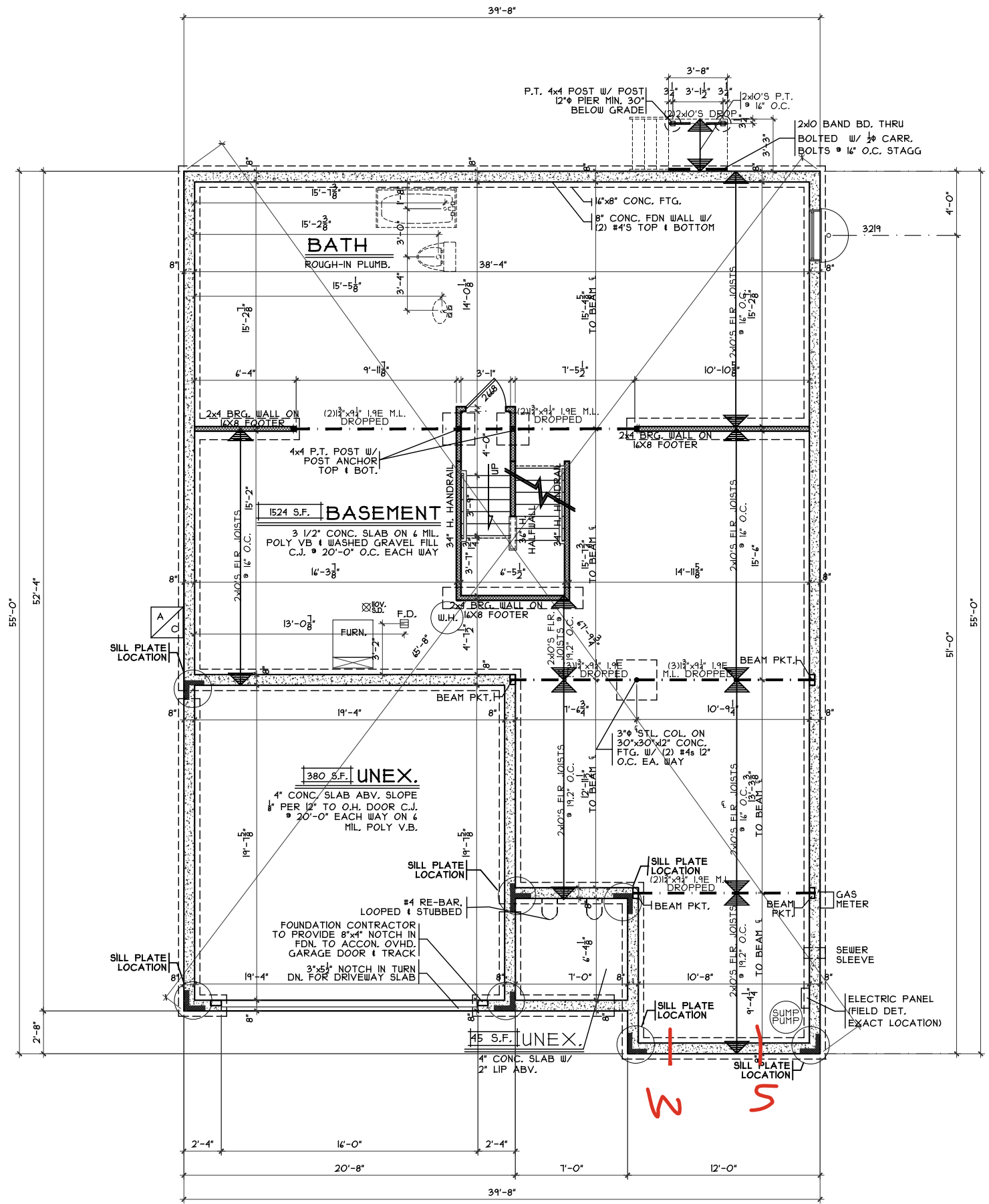
GRADE BM DETAIL
SCALE: 1/8" = 1'-0"



SECTION

ELEVATION

GARAGE DOOR GRADE BM
SCALE: 3/8" = 1'-0"



FOUNDATION PLAN
SCALE: 1/8" = 1'-0"

NOTE:
■ DENOTES BEARING CRIPPLES, THERE SHOULD BE ONE CRIPPLE FOR EACH BEARING MEMBER CONTINUOUS TO SOLID BEARING BELOW.

Foundation Plan

Plan: Mayfair I
Date: 3.22.2024
Drawn: JRK
Scale: As Noted
Revised: 4.16.2024
Sheet: 3 of 7

Prestige - TG-270

Proposed Residence:

SPEC
649 Red Maple Lane
Timber Glen Lot 270

Mayfair I-B2 - Vinyl

Cristo Homes reserves all property rights in these plans. These plans are not to be reproduced, changed, or copied in any manner. They are not to be given to a third party, either in full or in part, without first receiving written permission from Cristo Homes. In the event these plans are used by a third party, Cristo Homes shall be held harmless.

Issue Dates

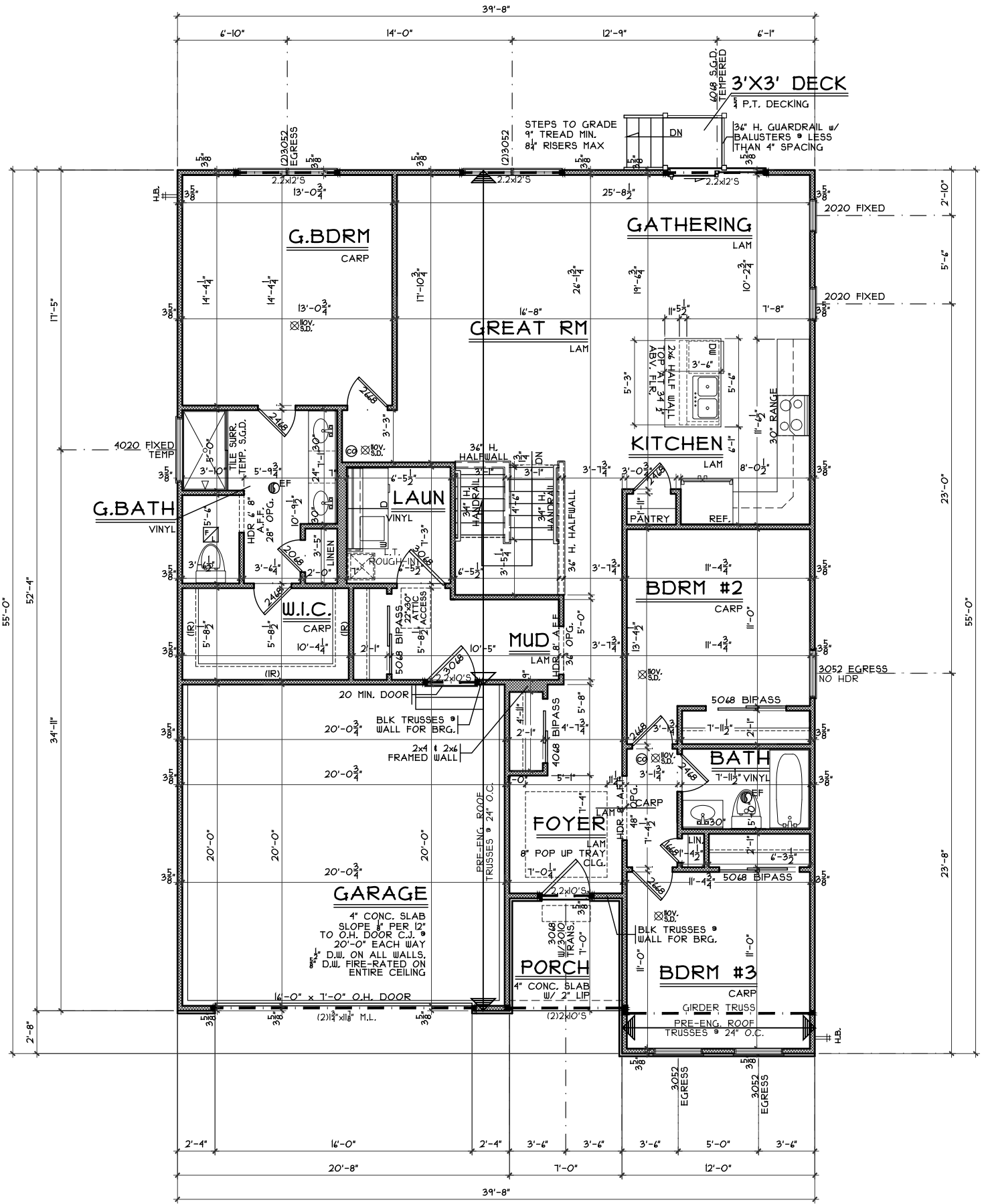
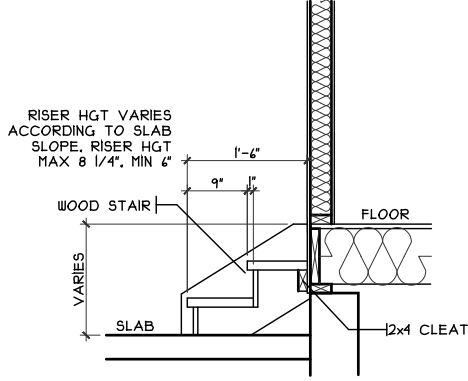
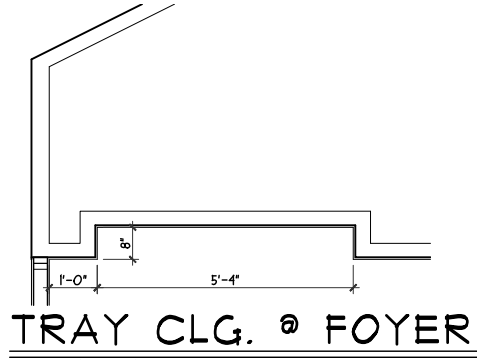
Review

Wilmington
Clinton County



7894 A Tyers Place Blvd.
West Chester, OH 45389
513.755.0570 • www.cristohomes.com

A2



NOTE:
■ DENOTES BEARING CRIPPLES, THERE SHOULD BE ONE CRIPPLE FOR EACH BEARING MEMBER, CONTINUOUS TO SOLID BEARING BELOW.

First Floor Plan

Plan: Mayfair I
Date: 3.22.2024
Drawn: JRK
Scale: As Noted
Revised: 4.16.2024
Sheet: 4 of 7

Prestige - TG-270

Proposed Residence:

SPEC

649 Red Maple Lane
Timber Glen Lot 270

Mayfair I-B2 - Vinyl

Cristo Homes reserves all property rights in these plans. These plans are not to be reproduced, changed, or copied in any manner. They are not to be given to a third party, either in full or in part, without first receiving written permission from Cristo Homes. In the event these plans are used by a third party, Cristo Homes shall be held harmless.

Issue Dates

Review	Issue Dates

Wilmington
Clinton County

7894 A Tyers Place Blvd.
West Chester, OH 45389
513.755.0570 • www.cristohomes.com

A3