

TH 6160  
238 Beckwourth Drive  
Monroe, OH 45050

1 Story Basement

3 pc rough

1 tub

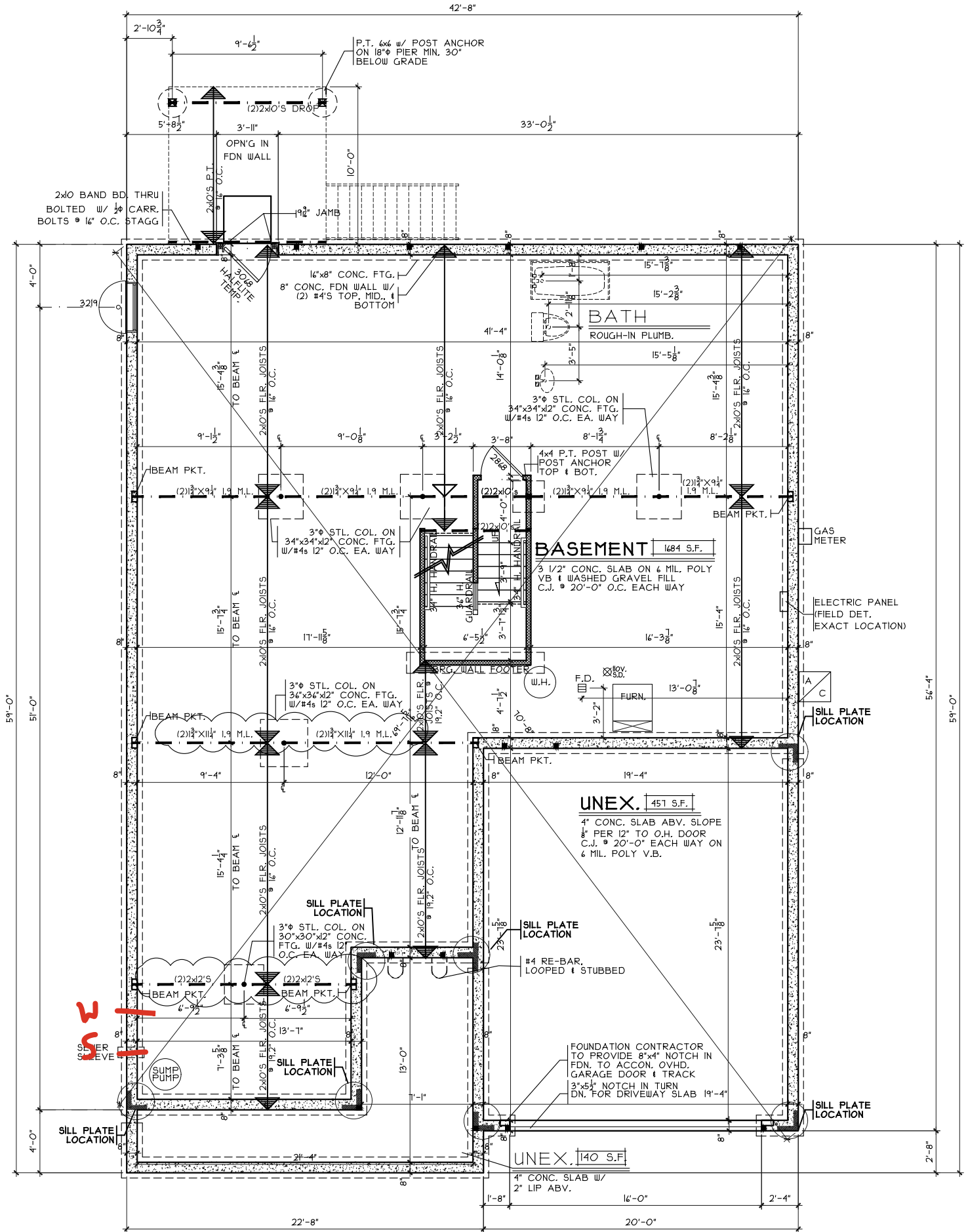
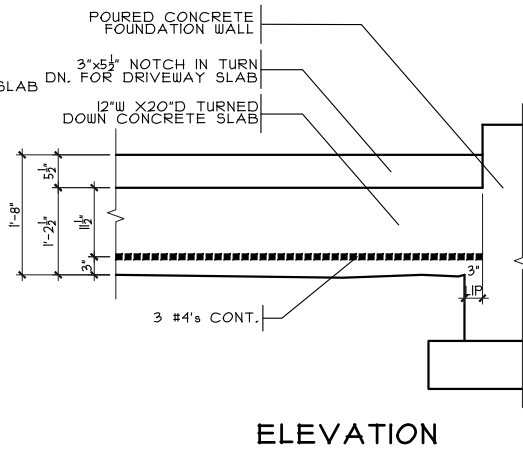
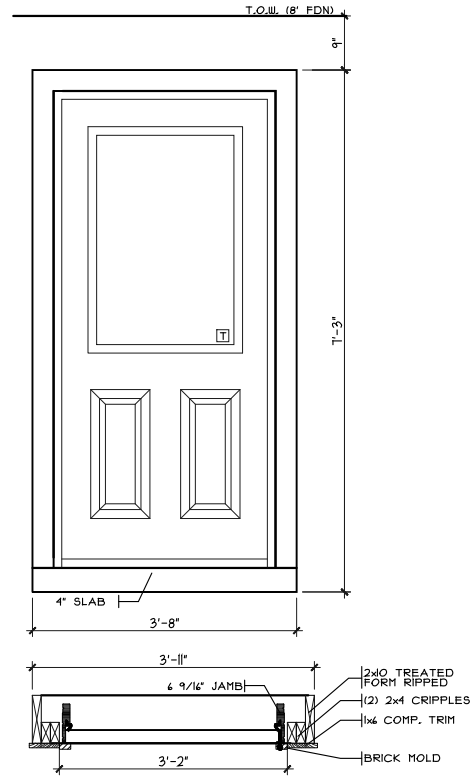
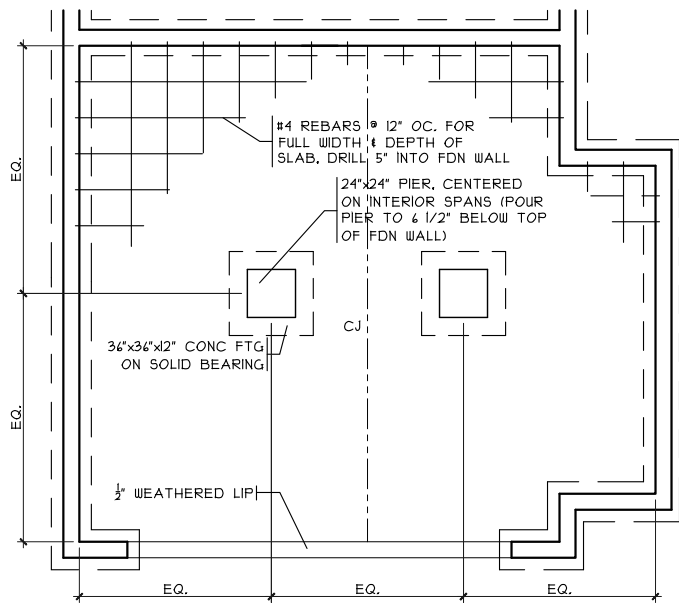
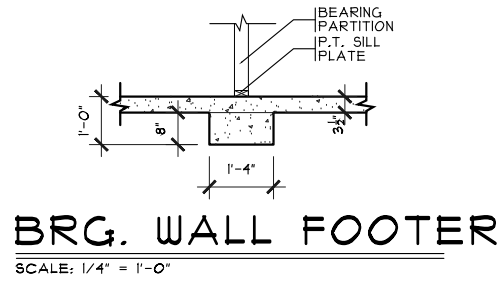
1 shower

2 hose bibs - no valves required

ice maker

Install Pressure Regulator on this home - owner extra

Gas Furnace and Range



**NOTE:** ■ DENOTES BEARING CRIPPLES. THERE SHOULD BE ONE CRIPPLE FOR EACH BEARING MEMBER. CONTINUOUS TO SOLID BEARING BELOW.

Foundation Plan

Plan: Oxford  
Date: 4.15.2024  
Drawn: JRK  
Scale: As Noted  
Revised: 6.25.2024  
Sheet: 3 of 8



Prestige - TH-6160

Proposed Residence:

Newman Residence  
238 Beckworth Drive  
Trails of Todhunter Lot 6160

Oxford - D1 - Comp.

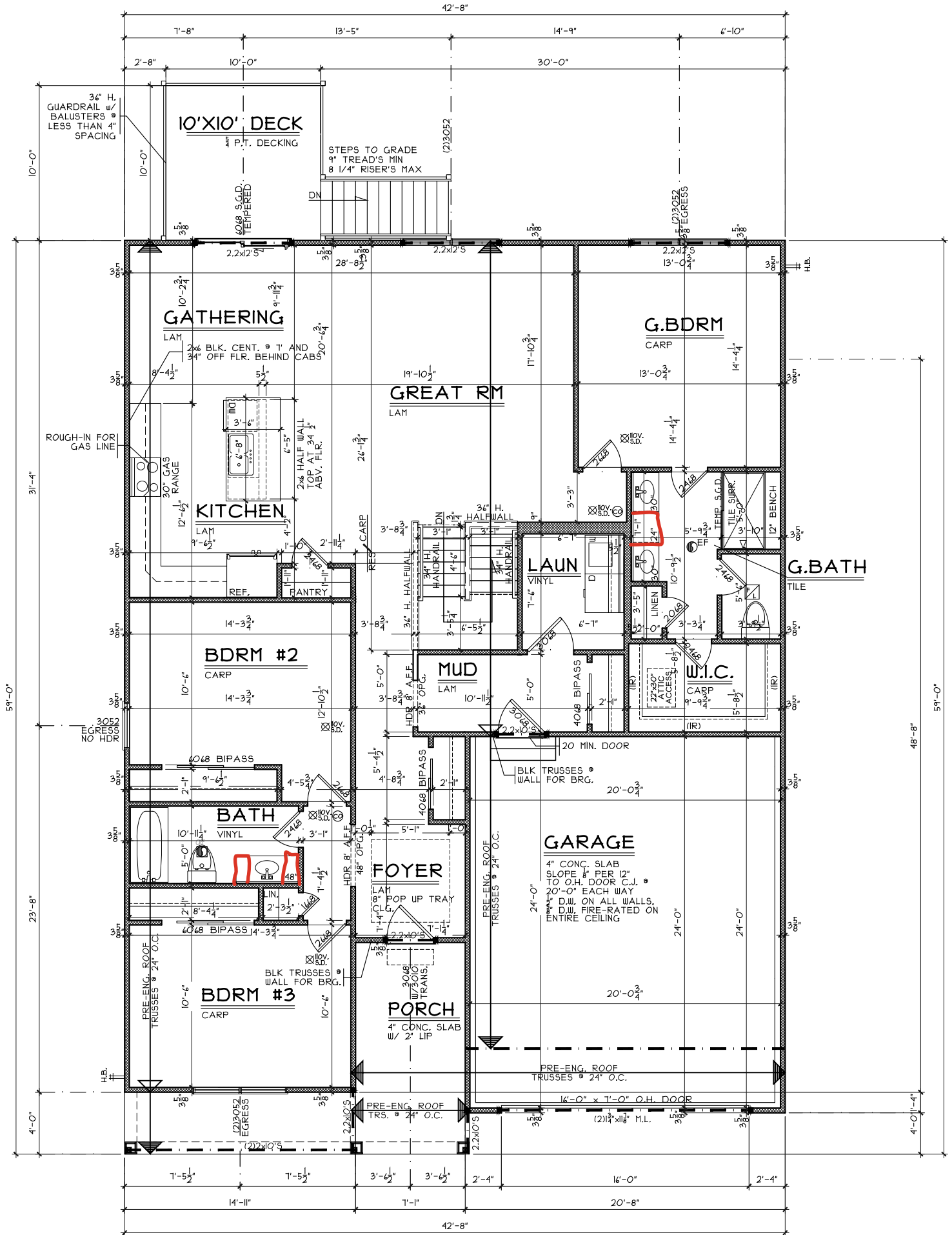
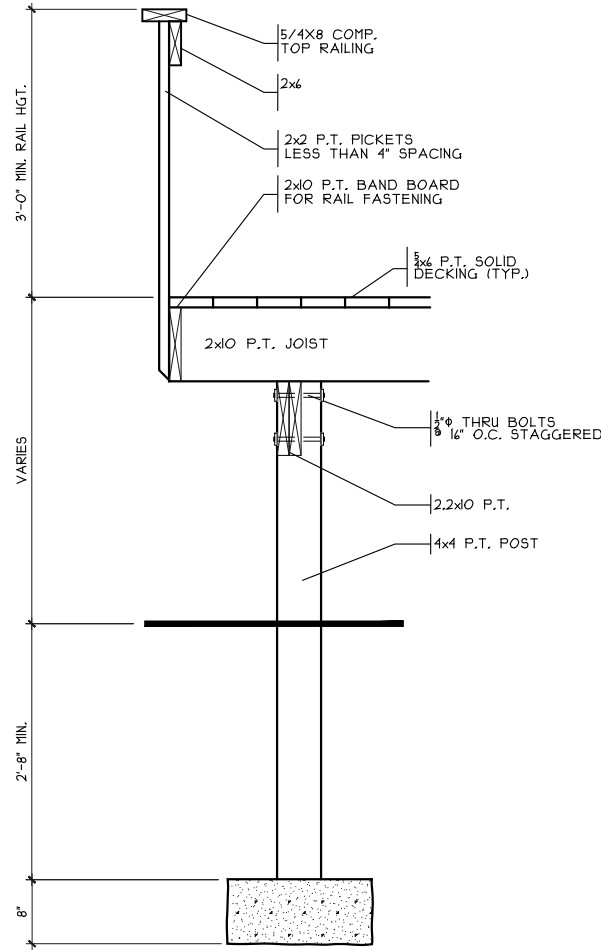
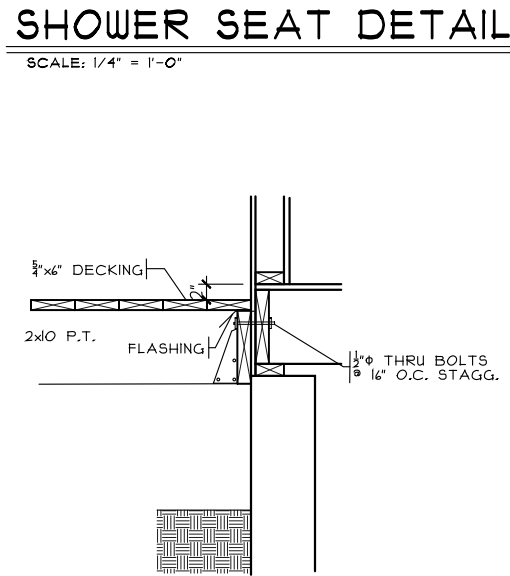
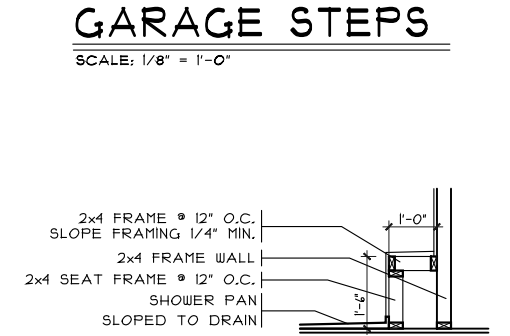
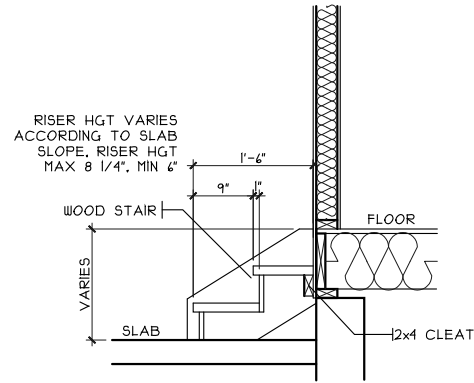
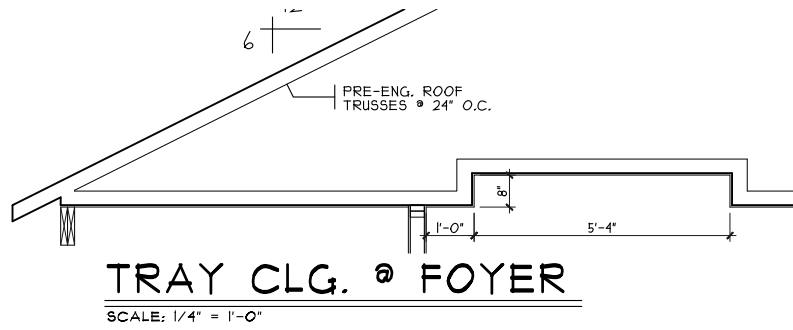
Cristo Homes reserves all property rights in these plans. These plans are not to be reproduced, changed, or copied in any manner. They are not to be given to a third party, either in full or in part, without first receiving written permission from Cristo Homes. In the event these plans are used by a third party, Cristo Homes shall be held harmless.

Issue Dates

Review	Issue Dates

Monroe  
Butler County

A2



**NOTE:** ■ DENOTES BEARING CRIPPLES. THERE SHOULD BE ONE CRIPPLE FOR EACH BEARING MEMBER. CONTINUOUS TO SOLID BEARING BELOW.  
 ■ 94# STUDS SINGLE TOP PLATE ALL WALLS FRAMED @ 24" O.C.

**CRISTO HOMES**  
 7894 A Tyers Place Blvd.  
 West Chester, OH 45389  
 513.755.0570 • www.cristohomes.com

Proposed Residence:  
 Newman Residence  
 238 Beckworth Drive  
 Trails of Todhunter Lot 6160

Issue Dates:  
 Review

Oxford - D1 - Comp.  
 Cristo Homes reserves all property rights in these plans. These plans are not to be reproduced, changed, or copied in any manner. They are not to be given to a third party, either in full or in part, without first receiving written permission from Cristo Homes. In the event these plans are used by a third party, Cristo Homes shall be held harmless.

Monroe  
 Butler County