

TH 6188
211 Beckwourth Drive
Monroe, OH 45050

2 Story Basement

3 pc rough

1 tub

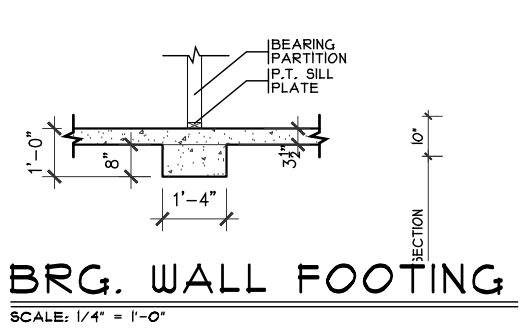
1 shower

2 hose bibs - no valves required

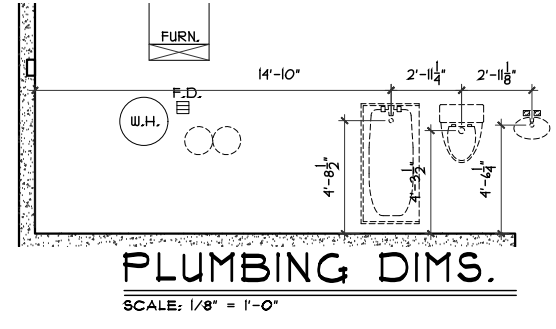
ice maker

Install Pressure Regulator on this home - owner extra

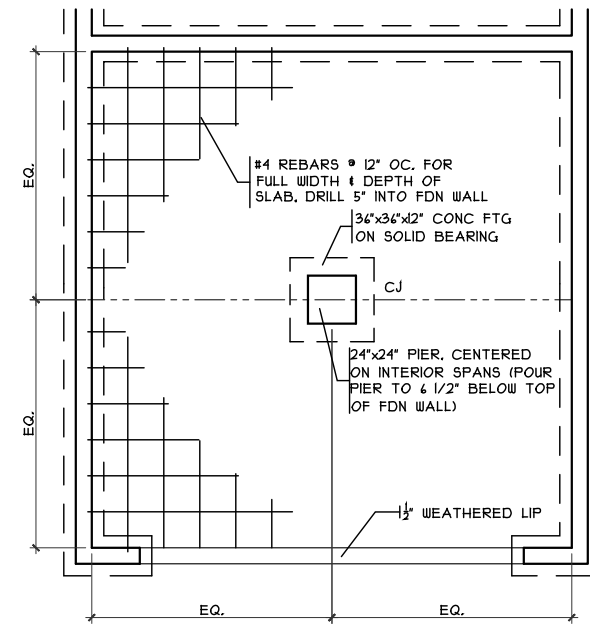
Gas Furnace



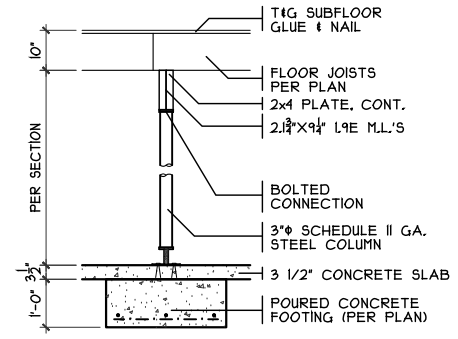
BRG. WALL FOOTING
SCALE: 1/4" = 1'-0"



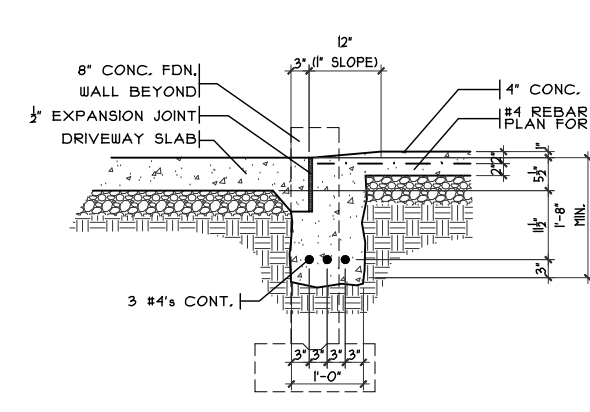
PLUMBING DIMS.
SCALE: 1/8" = 1'-0"



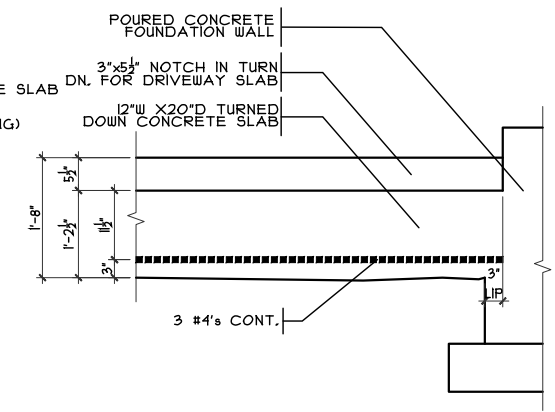
GRADE BM DETAIL
SCALE: 1/8" = 1'-0"



COLUMN DETAIL
SCALE: 1/4" = 1'-0"

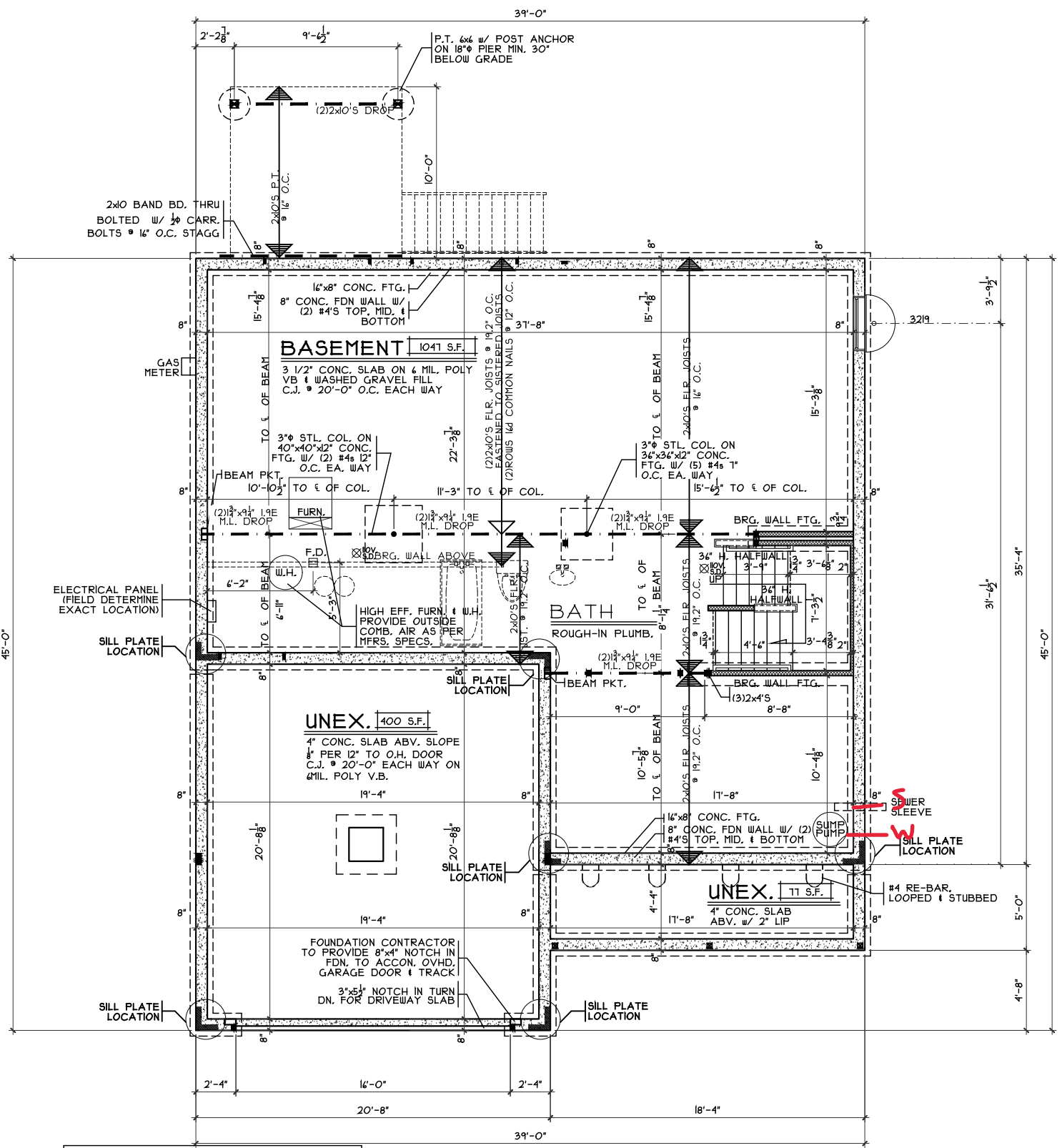


SECTION



ELEVATION

GARAGE DOOR GRADE BM
SCALE: 3/8" = 1'-0"



NOTE:
 ■ DENOTES BEARING CRIPPLES. THERE SHOULD BE ONE CRIPPLE FOR EACH BEARING MEMBER. CONTINUOUS TO SOLID BEARING BELOW.

FOUNDATION PLAN
SCALE: 1/8" = 1'-0"

Foundation Plan

Plan: Queensworth
 Date: 4.18.2024
 Drawn: JRK
 Scale: As Noted
 Revised: 6.7.2024
 Sheet: 3 of 8



Prestige - TH-6188
 Proposed Residence:
 Anokye Residence
 211 Beckworth Drive
 Trails of Todhunter Lot 6188

Monroe
 Butler County

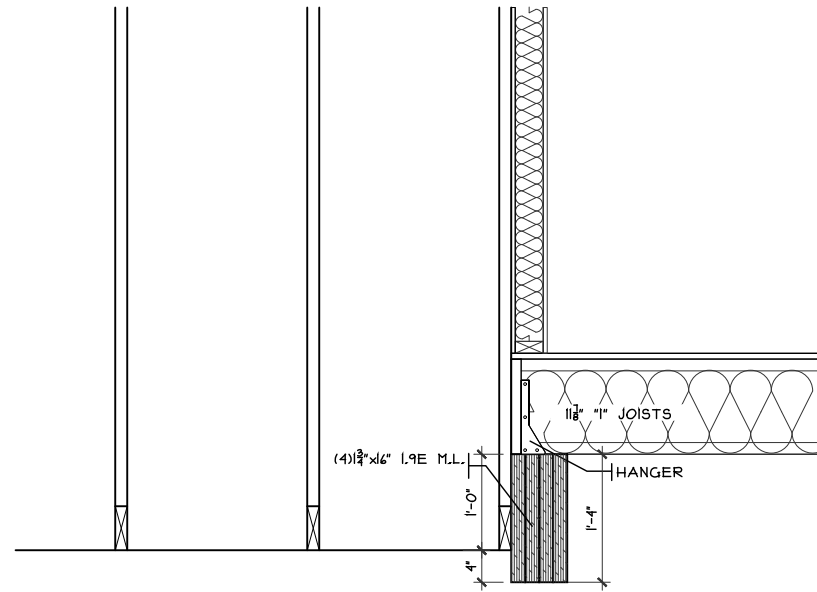
Queensworth - B1 - Comp.

Cristo Homes reserves all property rights in these plans. These plans are not to be reproduced, changed, or copied in any manner. They are not to be given to a third party, either in full or in part, without first receiving written permission from Cristo Homes. In the event these plans are used by a third party, Cristo Homes shall be held harmless.

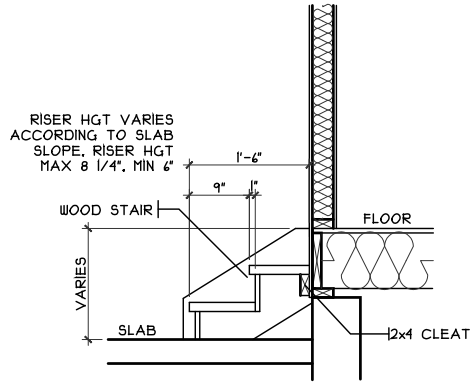
Issue Dates

Review

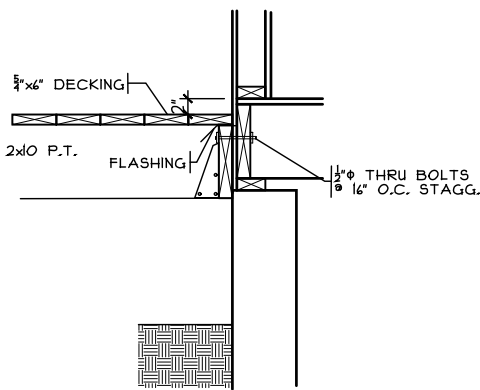
A2



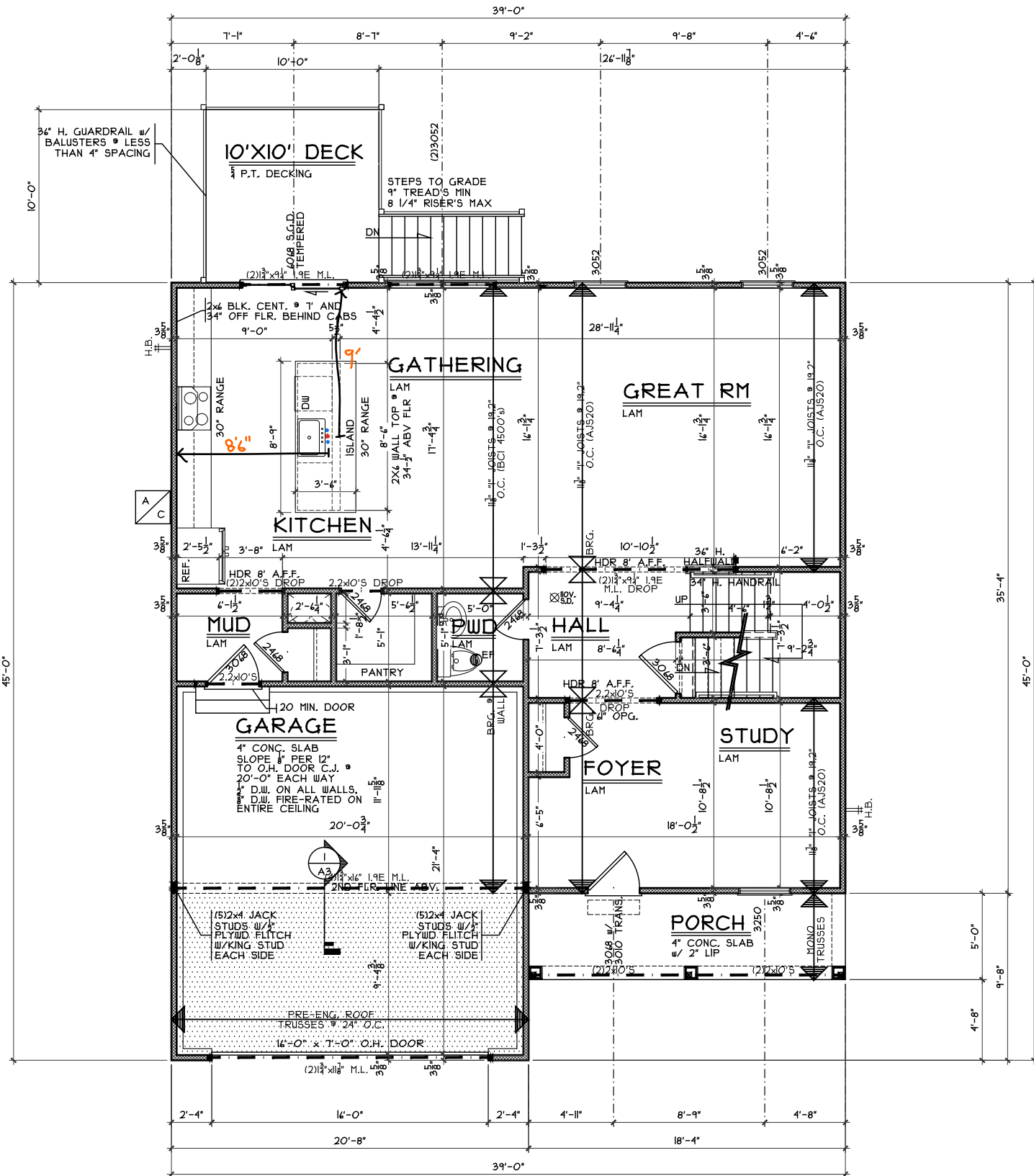
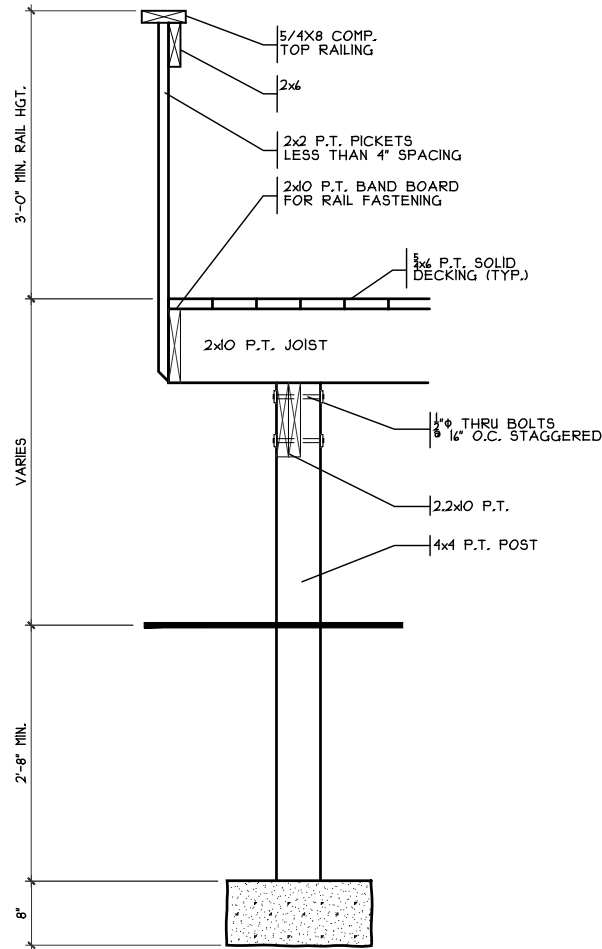
GARAGE DETAIL
 SCALE: 1/2" = 1'-0"



GARAGE STEPS
 SCALE: 1/8" = 1'-0"



DECK DETAILS
 SCALE: 1/2" = 1'-0"



NOTE:
 ■ DENOTES BEARING CRIPPLES. THERE SHOULD BE ONE CRIPPLE FOR EACH BEARING MEMBER. CONTINUOUS TO SOLID BEARING BELOW.

FIRST FLOOR PLAN
 SCALE: 1/8" = 1'-0" 134 SQ. FT.

First Floor Plan

Plan: Quemsworth
 Date: 4.18.2024
 Drawn: JRK
 Scale: As Noted
 Revised: 6.7.2024
 Sheet: 4 of 8

Prestige - TH-6188

Proposed Residence:

Anokye Residence

211 Beckworth Drive

Trails of Todhunter Lot 6188

Queensworth - B1 - Comp.

Cristo Homes reserves all property rights in these plans. These plans are not to be reproduced, changed, or copied in any manner. They are not to be given to a third party, either in full or in part, without first receiving written permission from Cristo Homes. In the event these plans are used by a third party, Cristo Homes shall be held harmless.

Issue Dates

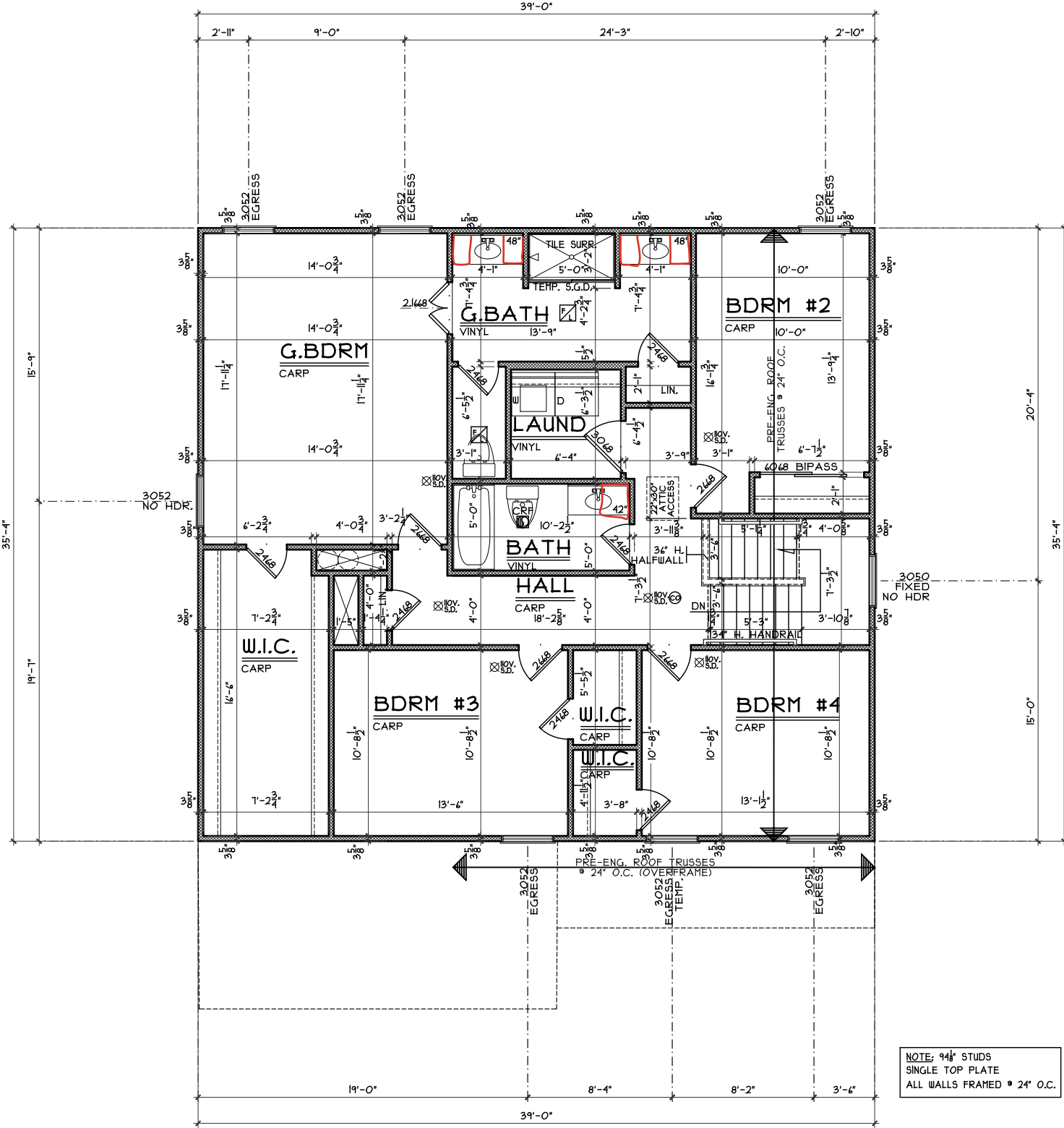
Review	

Monroe
 Butler County



7894 A Tyers Place Blvd.
 West Chester, OH 45389
 513.755.0570

A3



NOTE:
 ■ DENOTES BEARING CRIPPLES. THERE SHOULD BE ONE CRIPPLE FOR EACH BEARING MEMBER. CONTINUOUS TO SOLID BEARING BELOW.

SECOND FLOOR PLAN
 SCALE: 1/8" = 1'-0" 1308 SQ. FT.

NOTE: 94# STUDS
 SINGLE TOP PLATE
 ALL WALLS FRAMED @ 24" O.C.

Second Floor Plan

Plan: Queensworth
 Date: 4.18.2024
 Drawn: JRK
 Scale: As Noted
 Revised: 6.7.2024
 Sheet: 5 of 8

Prestige - TH-6188

Proposed Residence:

Anokye Residence
 211 Beckwourth Drive
 Trails of Todhunter Lot 6188

Monroe
 Butler County

Queensworth - B1 - Comp.

Issue Dates

Review

Cristo Homes reserves all property rights in these plans. These plans are not to be reproduced, changed, or copied in any manner. They are not to be given to a third party, either in full or in part, without first receiving written permission from Cristo Homes. In the event these plans are used by a third party, Cristo Homes shall be held harmless.



A4