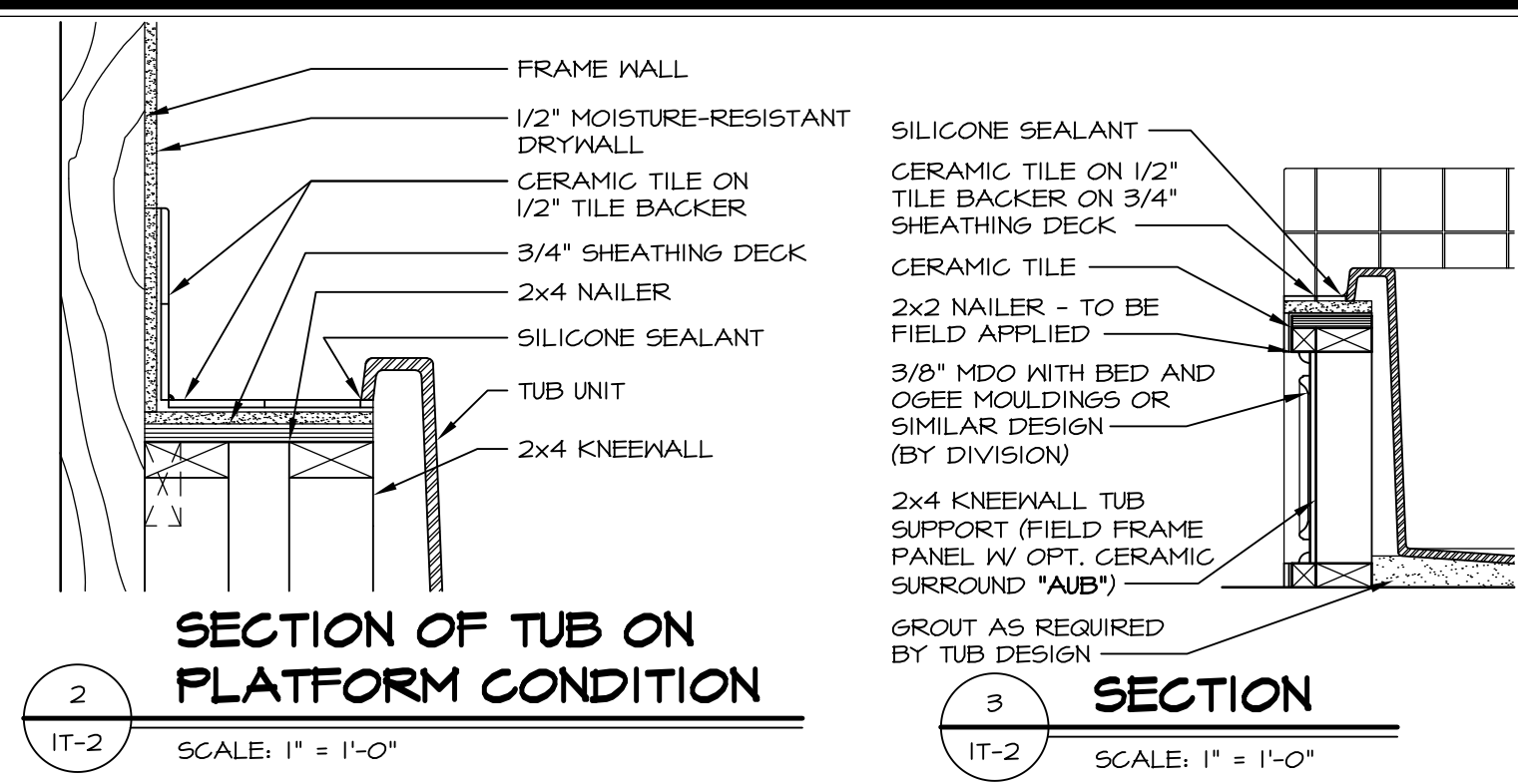
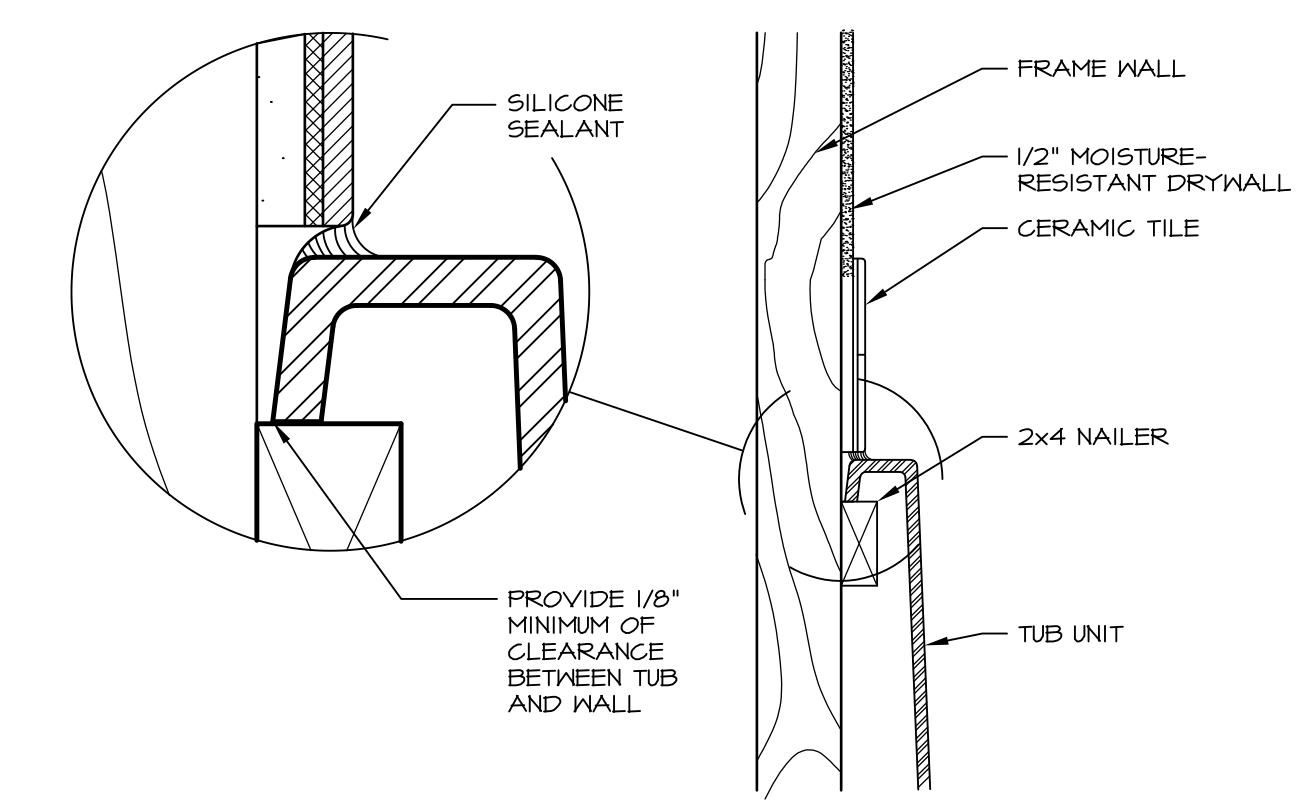


1 PLATFORM PLANS
IT-2 SCALE: 1/2" = 1'-0"

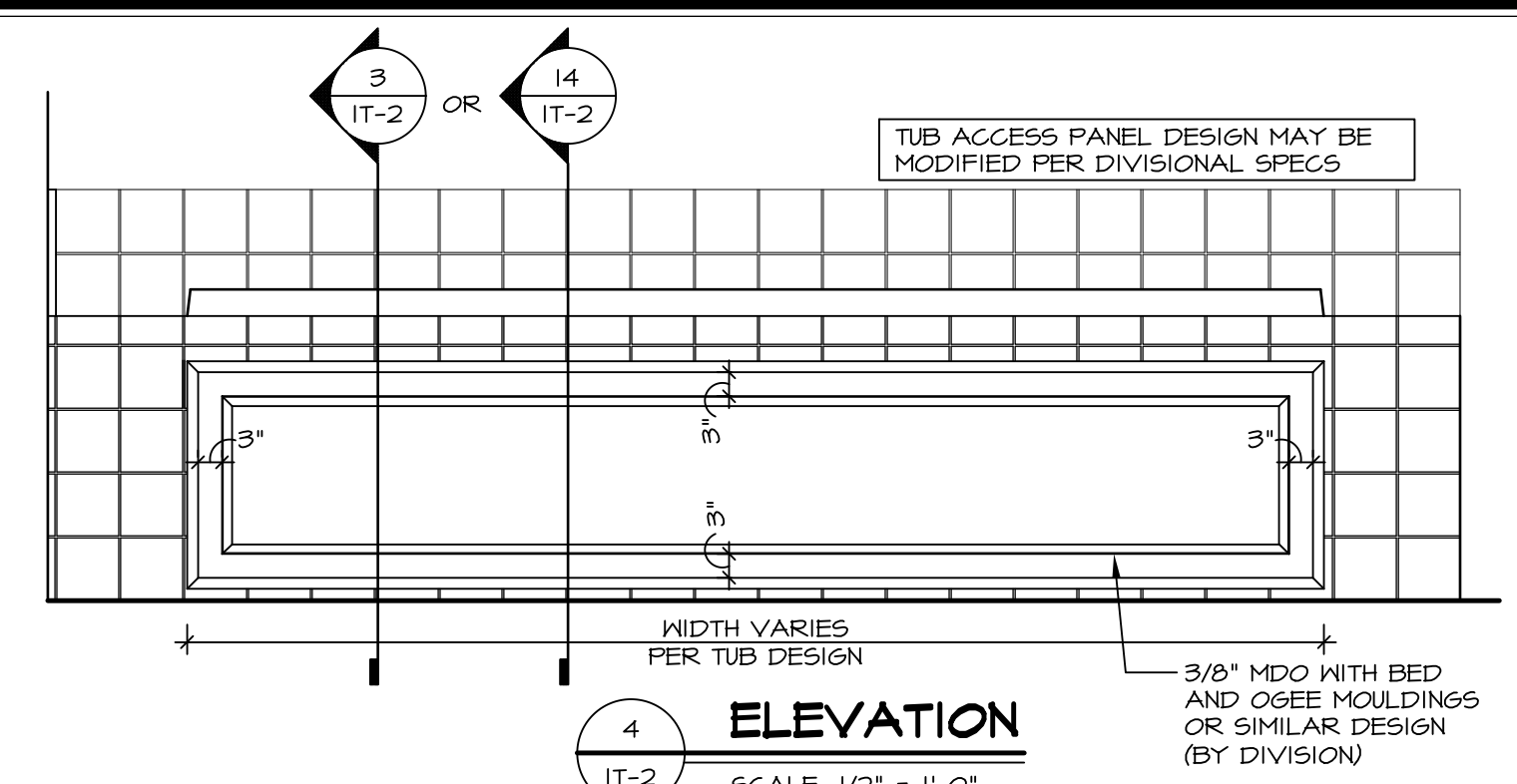
TUB	MANUF.	HEIGHT	WIDTH	LENGTH	TUB DECK PANEL HEIGHT
"A"	KOHLER/ STERLING	18 3/4"	42"	60"	17 1/8"
"C"	KOHLER/ STERLING	18 3/4"	36"	60"	17 1/8"
"E"	KOHLER/ STERLING	19 1/2"	60"	60"	17 7/8"
"L"	KOHLER/ STERLING	18 1/2"	42"	72"	16 7/8"
"N"	KOHLER/ STERLING	18 3/4"	36"	72"	17 1/8"
"P"	KOHLER/ STERLING	18 3/4"	42"	72"	17 1/8"



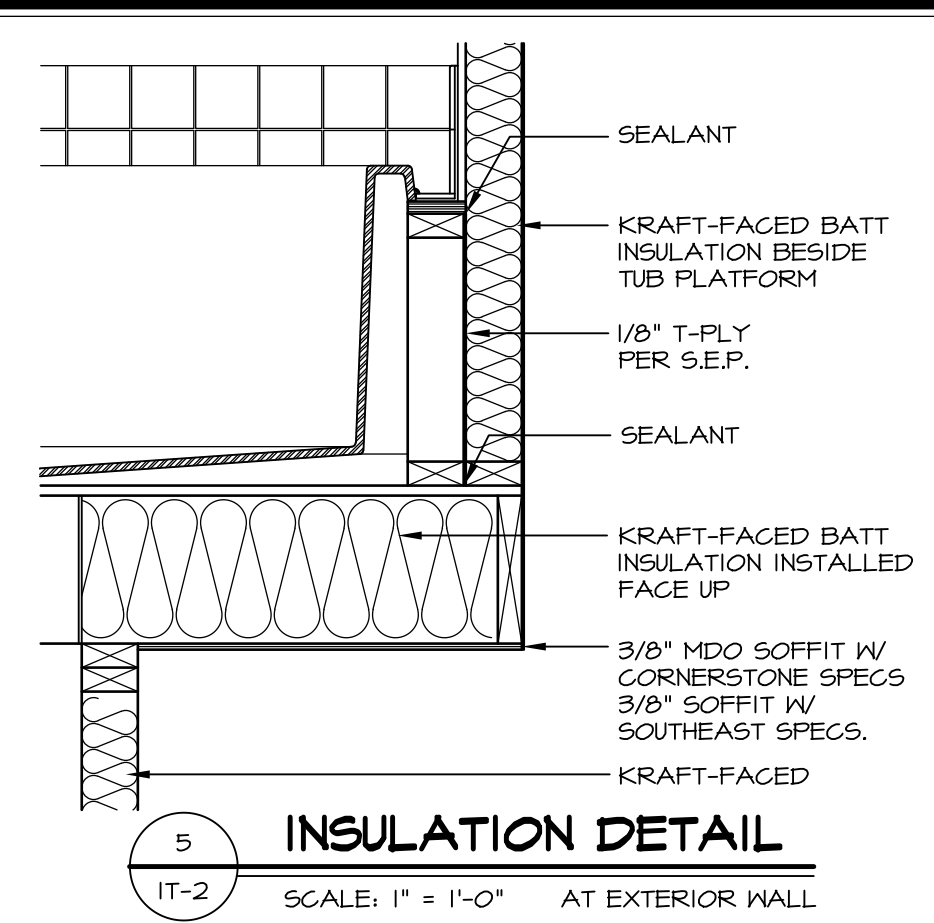
2 SECTION OF TUB ON PLATFORM CONDITION
IT-2 SCALE: 1" = 1'-0"



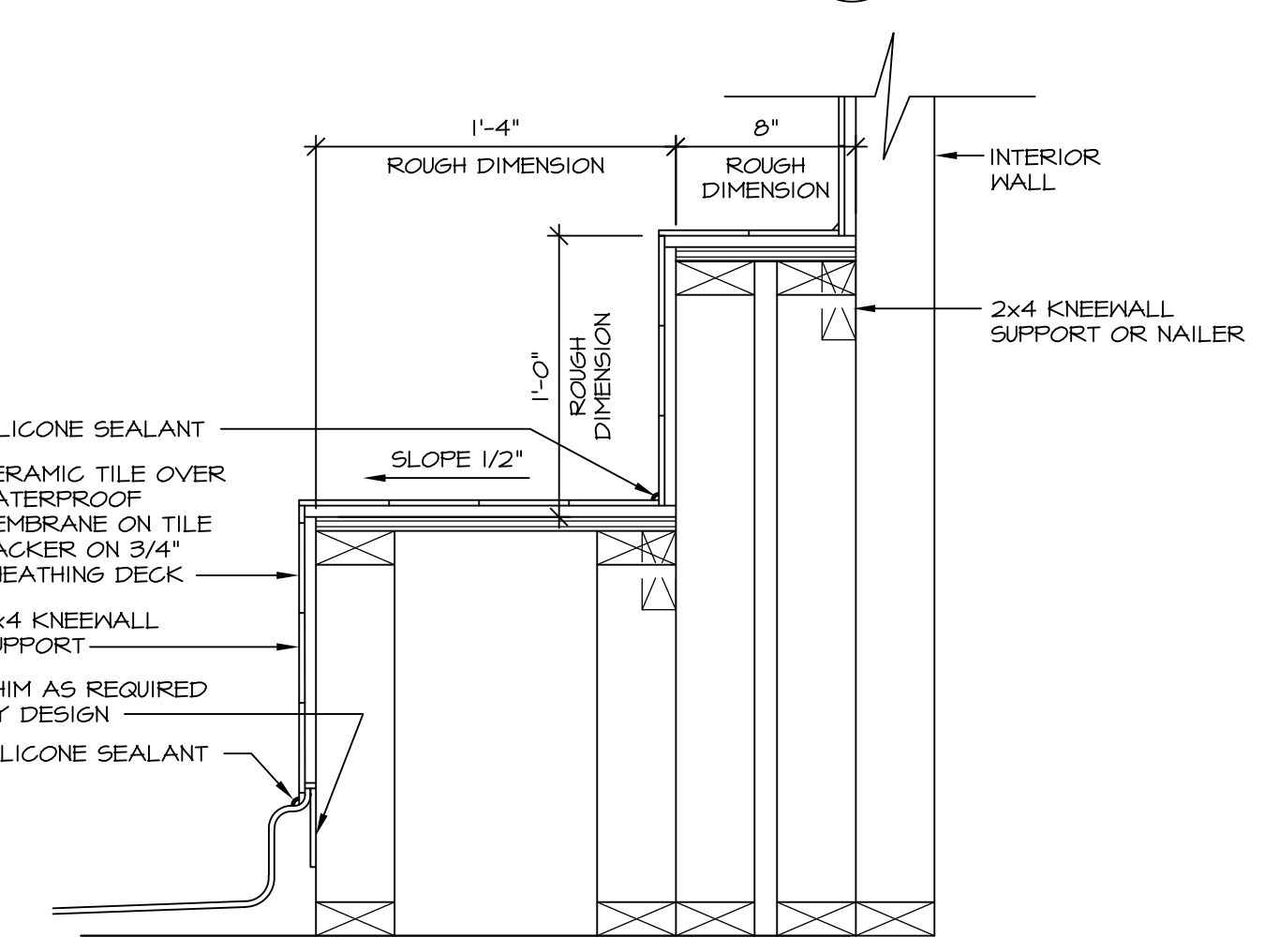
3 SECTION OF TUB TO WALL CONDITION
IT-2 SCALE: 1 1/2" = 1'-0"



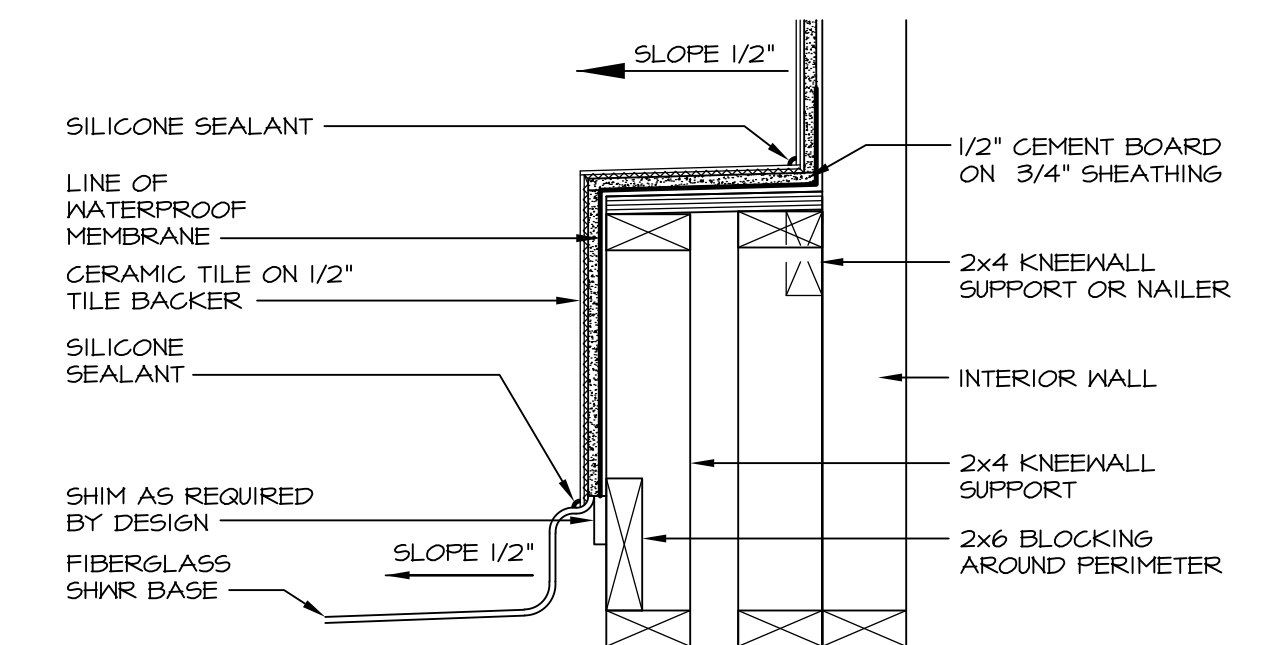
4 ELEVATION
IT-2 SCALE: 1/2" = 1'-0"



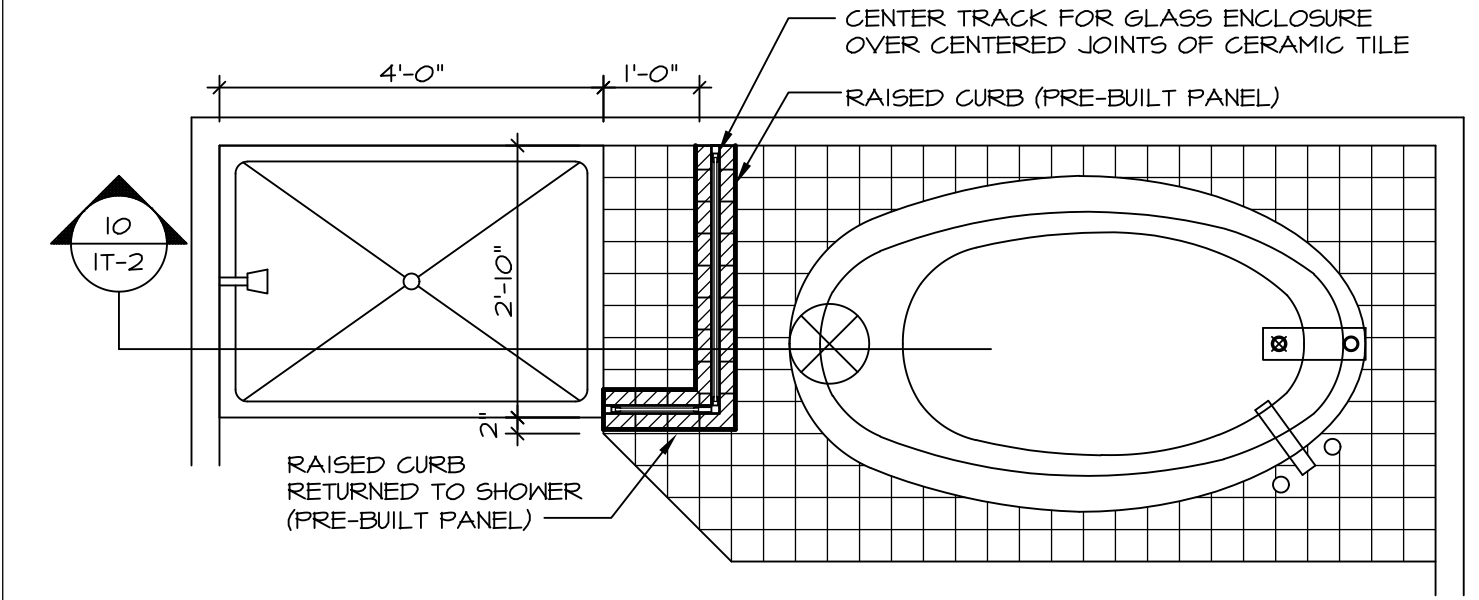
5 INSULATION DETAIL
IT-2 SCALE: 1" = 1'-0" AT EXTERIOR WALL



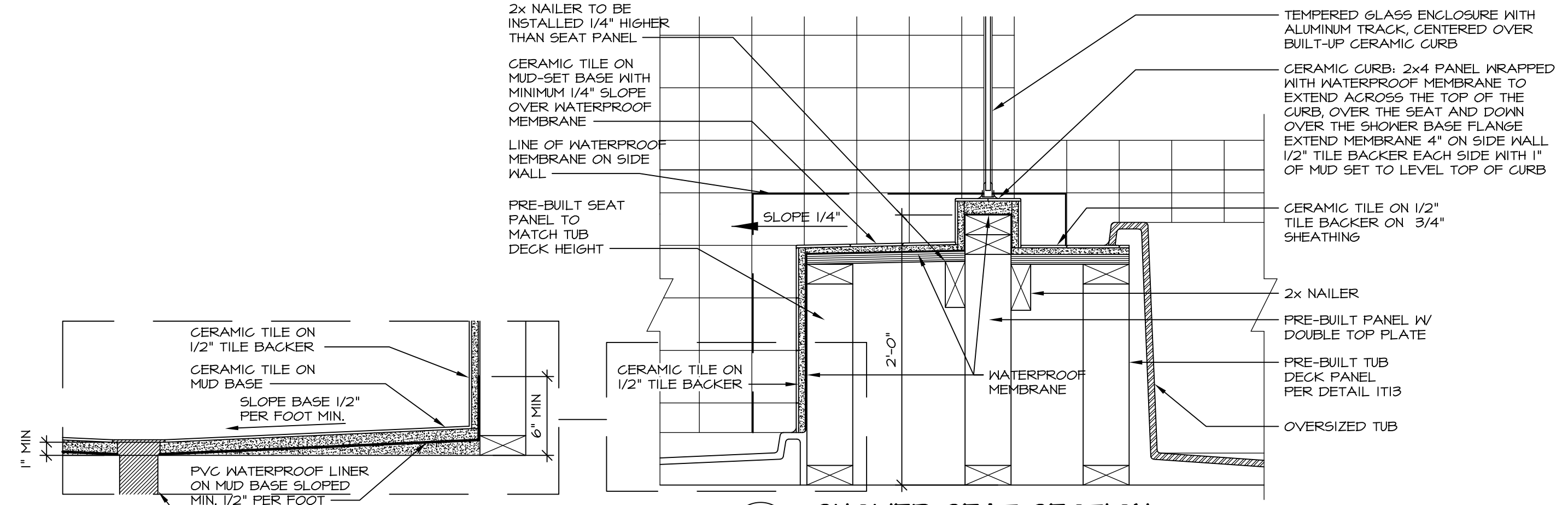
6 SECTION OF SHOWER SEAT AND SHELF
IT-2 SCALE: 1 1/2" = 1'-0"



7 SECTION OF SHOWER SEAT
IT-2 SCALE: 1-1/2" = 1'-0" FIBERGLASS SHOWER BASE



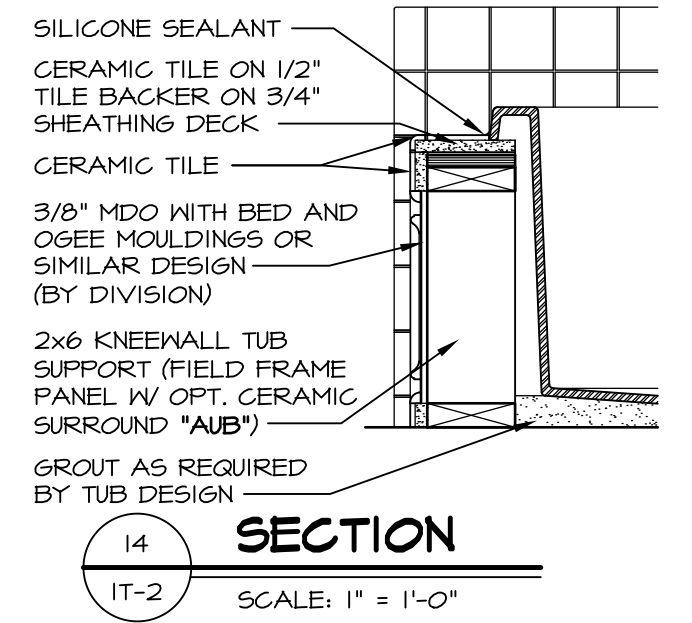
8 SHOWER SEAT PLAN / DETAIL
IT-2 SCALE: 1/2" = 1'-0"



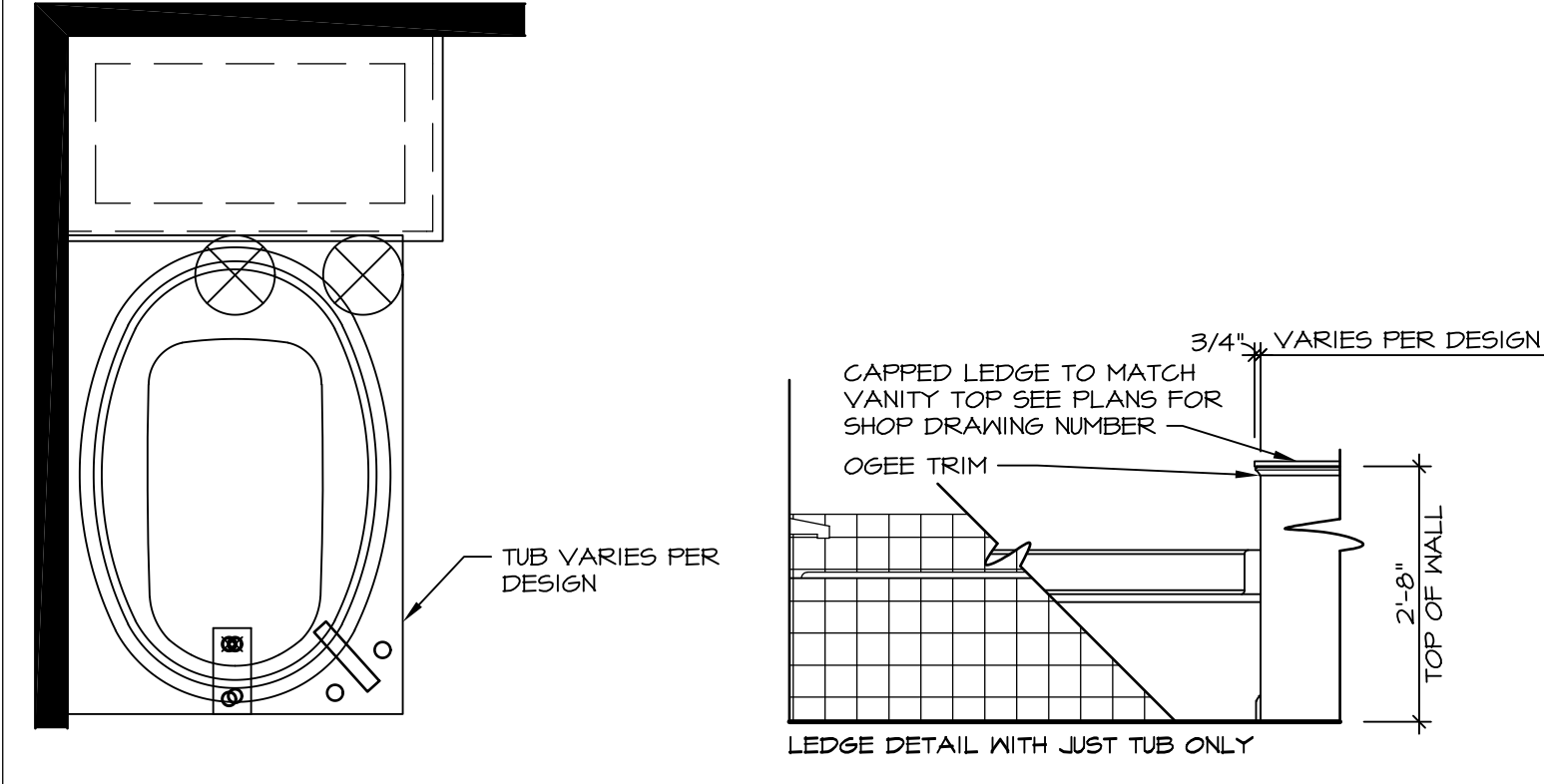
9 SHOWER SEAT SECTION
IT-2 SCALE: 1-1/2" = 1'-0"



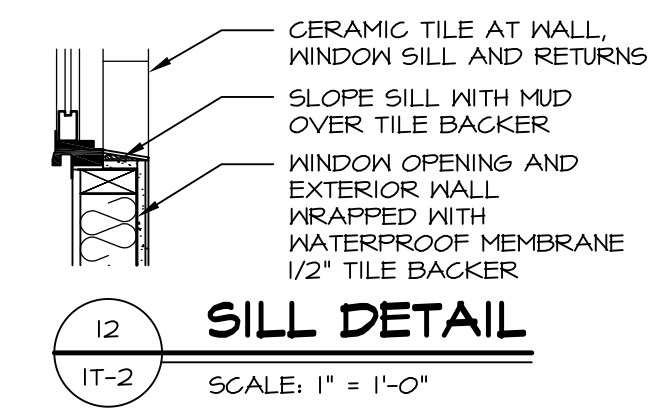
10 ALTERNATE SHOWER PAN DETAIL



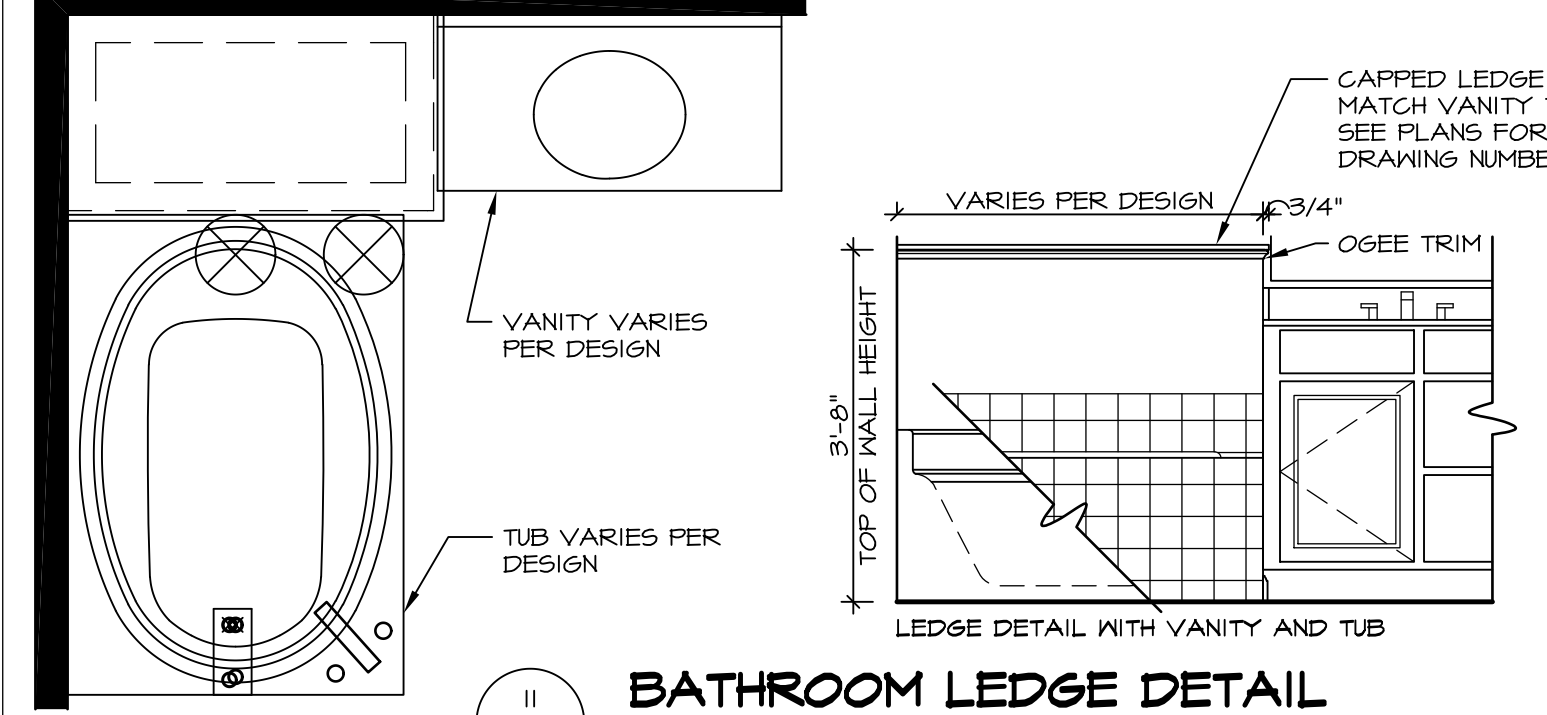
11 SECTION
IT-2 SCALE: 1" = 1'-0"



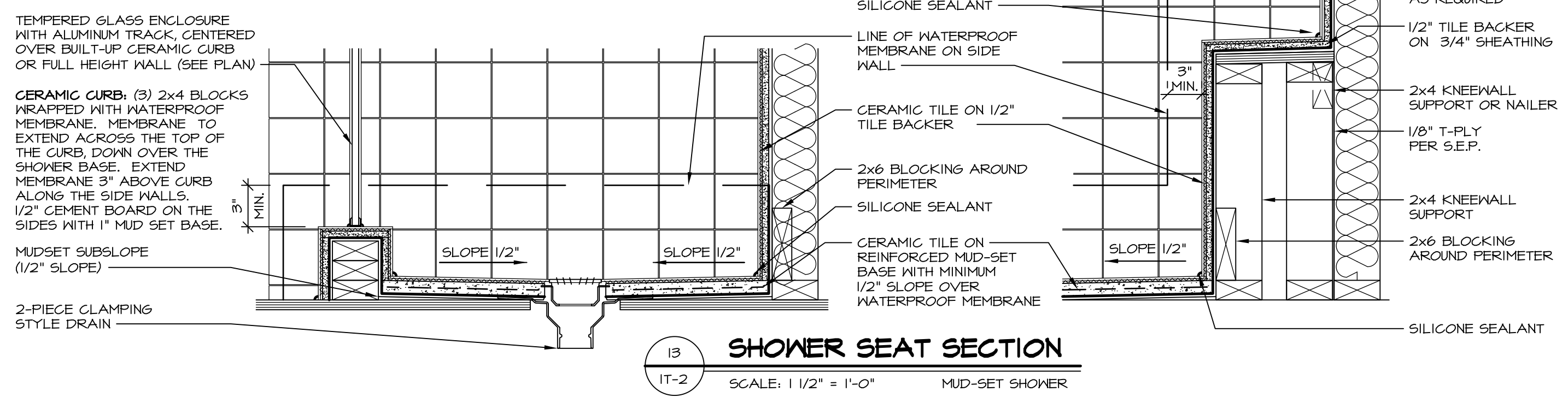
12 BATHROOM LEDGE DETAIL
IT-2 SCALE: 1/2" = 1'-0"



13 SILL DETAIL
IT-2 SCALE: 1" = 1'-0"



14 BATHROOM LEDGE DETAIL
IT-2 SCALE: 1/2" = 1'-0"



15 SHOWER SEAT SECTION
IT-2 SCALE: 1 1/2" = 1'-0" MUD-SET SHOWER

REV. NO. DATE
5/11/17
5/11/17

REMARKS
EPP - REVISED DETAIL 1 AND 11 TO REMOVE TUB ACCESS PANEL REF. (CBS #5 8414)

NVR
NVR, Inc.
Architectural Services
5285 Westpark Drive
Frederick, MD 21703

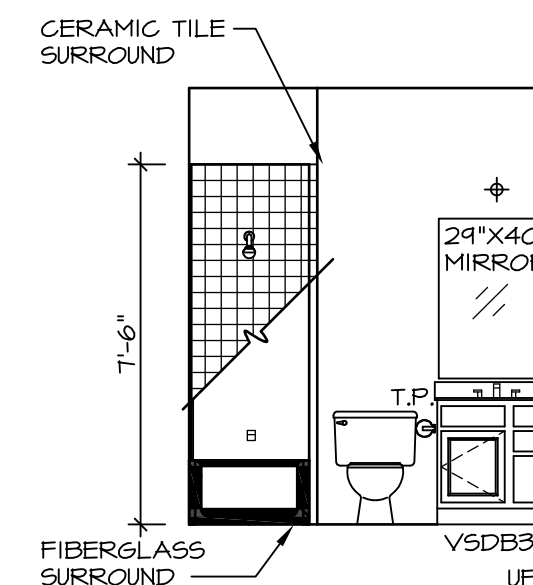
SET NO. NVR
VERSION
DRAWN BY
DATE:
OPTION

MODEL
STANDARD DETAILS
DRAWING TITLE
INTERIOR TRIM DETAILS
BATH DETAILS
OPTION DESCRIPTION

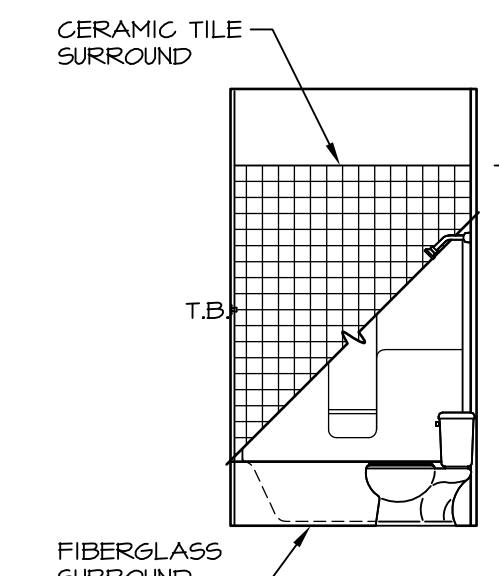
SHEET NO.
IT-2

NOTES:

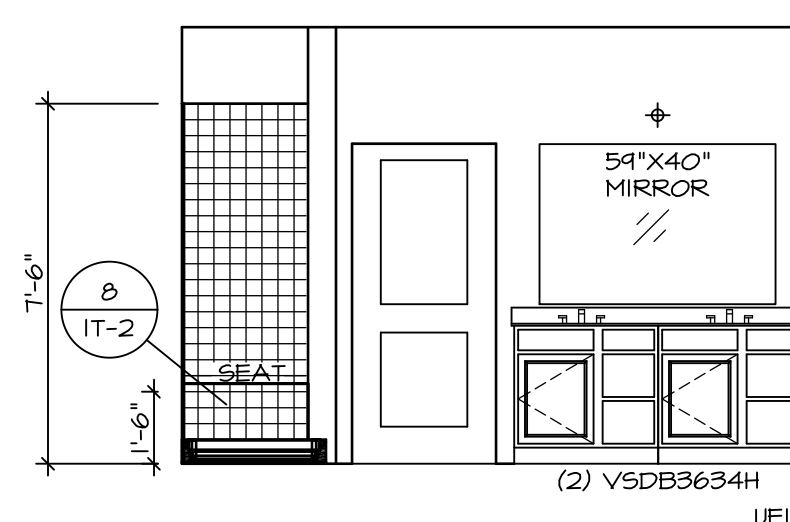
1. TEMPERED GLASS SHOWER ENCLOSURE WITH SWING DOOR OR OPTIONAL SLIDING DOOR BY DIVISION
2. TUB ACCESS PANELS PROVIDED AS NEEDED, ALL MATERIALS BY DIVISION
3. REFER TO SHEET IT-2 FOR TUB AND SHOWER DETAILS.
4. ALL VSD24-42 DRAWERS TO BE SET ON RIGHT HAND.
5. BATH ELEVATIONS ARE SHOWN PER PLAN.



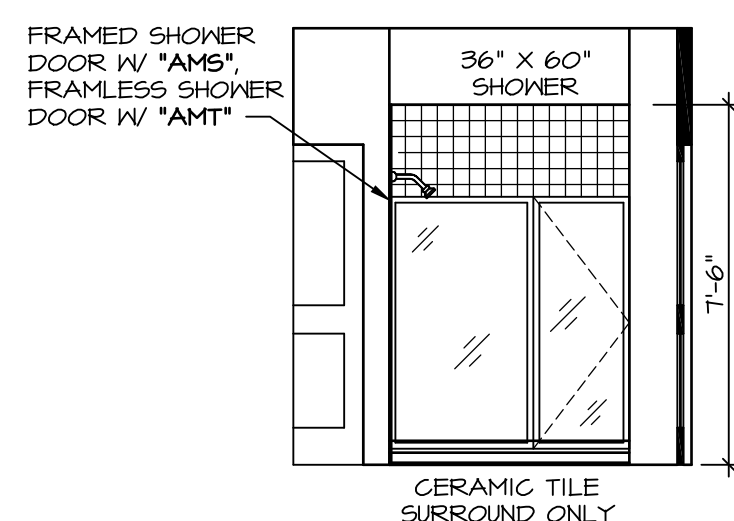
D BATH #1
SCALE: 1/4" = 1'-0"



C BATH #1
SCALE: 1/4" = 1'-0"



J OWNER'S BATH
SCALE: 1/4" = 1'-0" *AMJ*



H OWNER'S BATH
SCALE: 1/4" = 1'-0" *AMJ*



E OWNER'S BATH
SCALE: 1/4" = 1'-0" *AMA* OR *AMJ* OR *AMF*

SHEET NO.	MODEL	SET NO.	VERSION	DRAWN BY	DATE	OPTION
A-14	SPRINGMANOR	01	01	08/12/2015		
55	DRAWING TITLE	BATH ELEVATIONS				
	OPTION DESCRIPTION					

NVR
Architectural Services
5285 Westover Hills
Frederick, MD 21703

NVR, Inc., owner, expressly reserves its common law copyright in these plans. These plans are not to be reproduced, changed, copied, or otherwise used in any way without the written consent of NVR, Inc.

REV. NO.	DATE	REMARKS