

**LEGEND**

- BEARING WALL
- NON BEARING WALL
- INDICATES BEARING FROM POINT-LOAD ABOVE
- JACKS
- BEAM/HEADER
- PAD FOOTING
- STEEL COLUMN
- PORTAL FRAME
- JOIST/TRUSS
- LVL
- ENGINEERING PAGE NUMBER

SEE FC DETAILS FOR FRAMING CONNECTORS

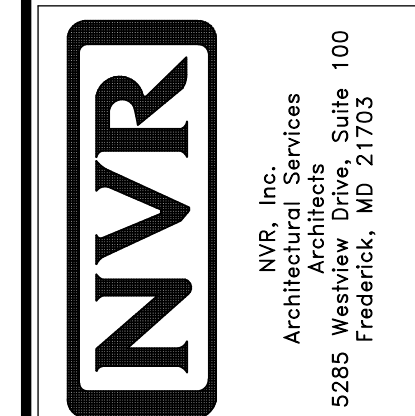
- FLOOR PLAN NOTES**
1. ALL HEADERS ARE (2) 2x6 w/ 2x4 WALLS OR (3) 2x6 w/ 2x6 WALLS, UNLESS OTHERWISE NOTED.
  2. ALL HEADERS TO HAVE (1) 2x4 OR 2x6 JACK EACH END, UNLESS OTHERWISE NOTED.
  3. ALL EXTERIOR WALLS TO BE 4" AND ALL INTERIOR WALLS TO BE 3 1/2", UNLESS OTHERWISE NOTED.
  4. HATCHED AREAS INDICATE DROPPED CEILINGS. ALL DROPPED CEILINGS ARE 12" UNLESS OTHERWISE NOTED.
  5. SEE "BRACED WALL PANEL DETAIL SHEET" FOR SPECIAL WALL FRAMING LOCATIONS AND HEADER SIZES, IF APPLICABLE.
  6. SEE STANDARD DETAIL CATEGORY "IT" SHEET(S) FOR INTERIOR TRIM DETAILS.
  7. SEE ARCHITECTURAL DETAIL SHEET "AD" FOR HOUSE SPECIFIC INTERIOR TRIM OPTION TABLE.
  8. ALL WINDOWS HAVE 7'-0 1/2" HEADER HEIGHT UNLESS OTHERWISE NOTED.
  9. ALL CASED OPENINGS AT T-11, UNLESS OTHERWISE NOTED.

- GYPSUM NOTES**
- AT GARAGE:  
GYPSUM BOARD AT COMMON WALLS, CEILING, BEAM WRAPS AND SUPPORTS PER STANDARD DETAIL FA-1(b) FIRE ASSEMBLIES OR AS REQUIRED BY LOCAL CODE.
- AT STAIRS:  
1/2" GYPSUM BOARD AT UNDERSIDE OF STAIRS AND WALLS IN CLOSET

**BASEMENT FLOOR PLAN**  
SCALE: 1/4" = 1'-0"

SHEET NO. <b>A-6</b>	MODEL <b>PALERMO</b>	SET NO. <b>PALOO</b>	REMARKS
A-6	DRAWING TITLE <b>BASEMENT FLOOR PLAN</b>	VERSION <b>03</b>	
51	OPTION DESCRIPTION	DRAWN BY	
		DATE:	
		OPTION	

NVR, Inc., owner, expressly reserves its copyright in these plans. These plans are not to be reproduced, changed, copied, or otherwise used in any way without the written consent of NVR, Inc.

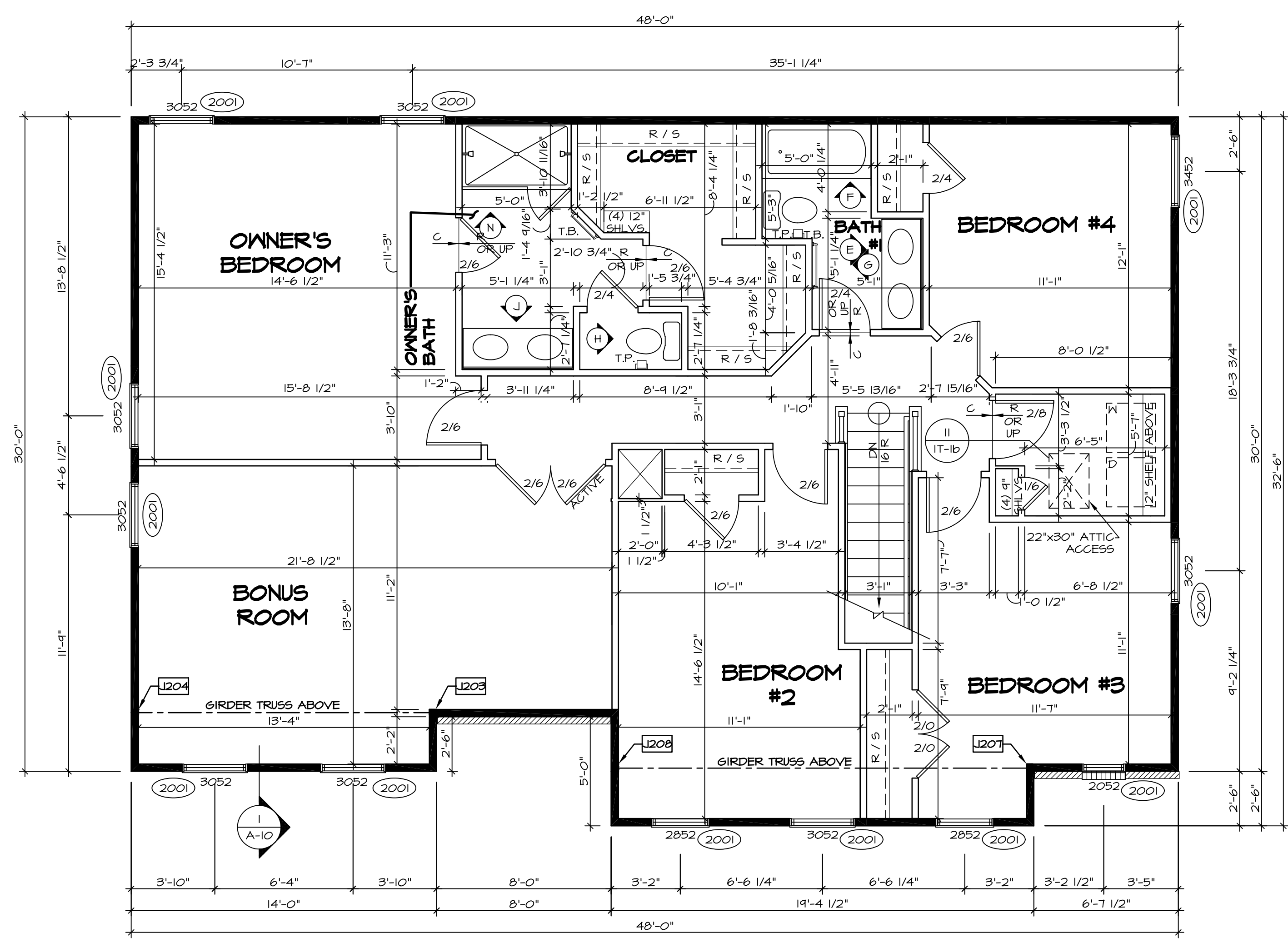




SECOND FLOOR JACK SCHEDULE				
IDENTIFIER	DESCRIPTION	OPTIONS	ENG. NUM.	REMARKS
J203	JACK - (2) 2X4 SPM	MAY	2011	EXTEND JACKS THROUGH TOP PLATE
J204	JACK - (2) 2X4 SPM	MAY	2011	EXTEND JACKS THROUGH TOP PLATE
J207	JACK - (3) 2X4 SPM	ELD	2011	EXTEND JACKS THROUGH TOP PLATE
J208	JACK - (3) 2X4 SPM	ELD	2011	EXTEND JACKS THROUGH TOP PLATE

LEGEND	
	BEARING WALL
	NON BEARING WALL
	INDICATES BEARING FROM POINT-LOAD ABOVE
	JACKS
	BEAM/HEADER
	PAD FOOTING
	STEEL COLUMN
	PORTAL FRAME
	JOIST/TRUSS
	LVL
	ENGINEERING PAGE NUMBER

- FLOOR PLAN NOTES**
- ALL HEADERS ARE (2) 2x6 w/ 2x4 WALLS OR (3) 2x6 w/ 2x6 WALLS, UNLESS OTHERWISE NOTED.
  - ALL HEADERS TO HAVE (1) 2x4 OR 2x6 JACK AND KING STUD EACH END, UNLESS OTHERWISE NOTED.
  - ALL EXTERIOR WALLS TO BE 4" w/ OSB OR 3 1/2" w/ T-PLY, ALL INTERIOR WALLS TO BE 3 1/2", UNLESS OTHERWISE NOTED.
  - HATCHED AREAS INDICATE DROPPED CEILINGS. ALL DROPPED CEILINGS ARE 12" UNLESS OTHERWISE NOTED.
  - SEE "BRACED WALL PANEL DETAIL SHEET" FOR SPECIAL WALL FRAMING LOCATIONS AND HEADER SIZES, IF APPLICABLE.
  - SEE STANDARD DETAIL CATEGORY "IT" SHEET(S) FOR INTERIOR TRIM DETAILS.
  - SEE ARCHITECTURAL DETAIL SHEET "AD" FOR HOUSE SPECIFIC INTERIOR TRIM OPTION TABLE.
  - ALL WINDOWS HAVE 7'-0 1/2" HEADER HEIGHT UNLESS OTHERWISE NOTED.
  - ALL HEADERS IN NON-BEARING WALLS SHALL BE A SINGLE FLAT 2x4 OR 2x6 ATTACHED TO CRIPPLES ABOVE, UNLESS OTHERWISE NOTED.



**SECOND FLOOR PLAN**  
SCALE: 1/4" = 1'-0"

SHEET NO. <b>A-8</b>	MODEL <b>PALERMO</b>	SET NO. <b>PALOO</b>	VERSION <b>03</b>	DATE:	OPTION
		DRAWING TITLE <b>SECOND FLOOR PLAN</b>			
OPTION DESCRIPTION					
<b>60</b>					

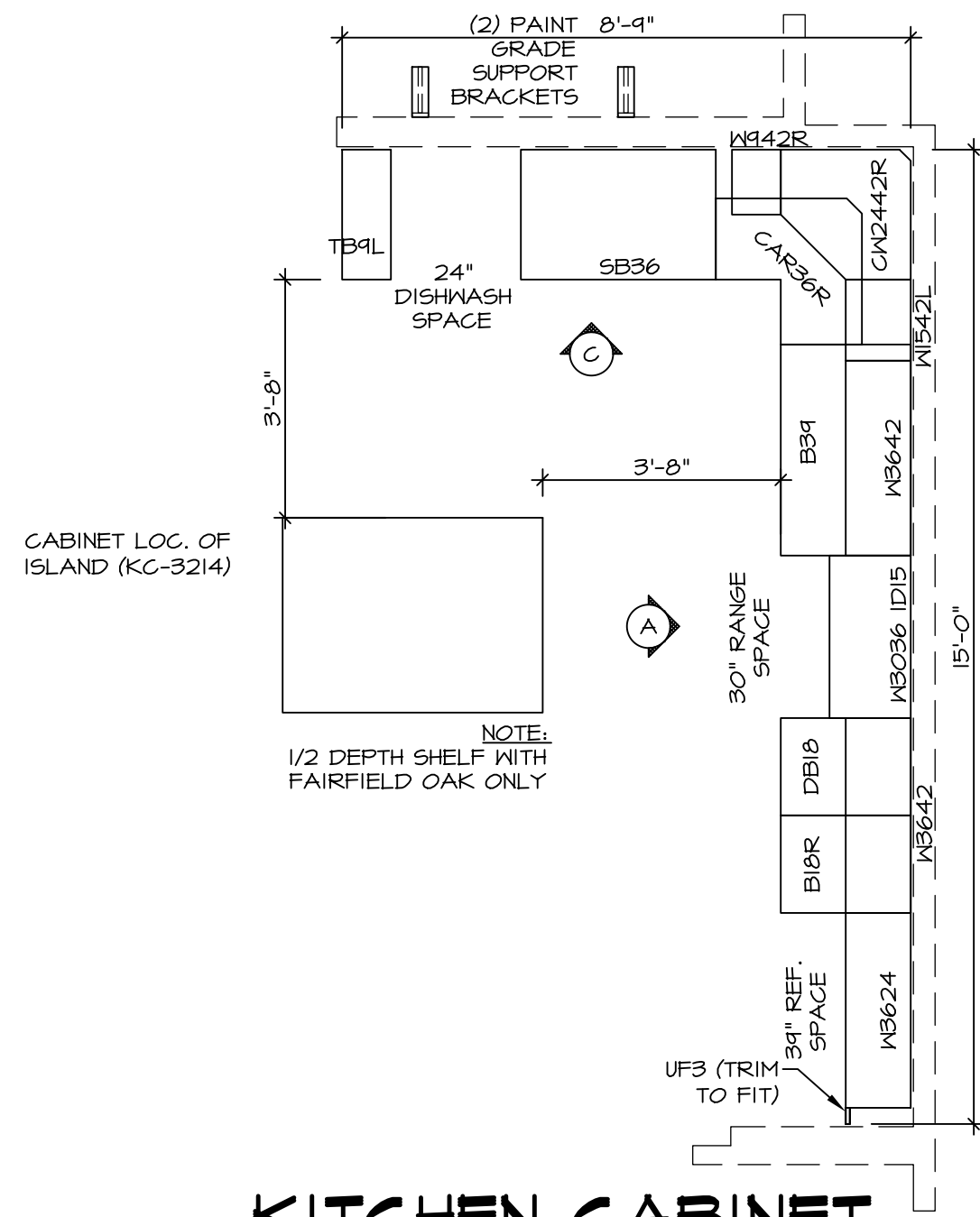
REVISION	DATE	DESCRIPTION
1	08/04/16	TH - DRAINING ALIGNMENT
2	07/12/17	SLS - T-PLY CONVERSION PROJECT

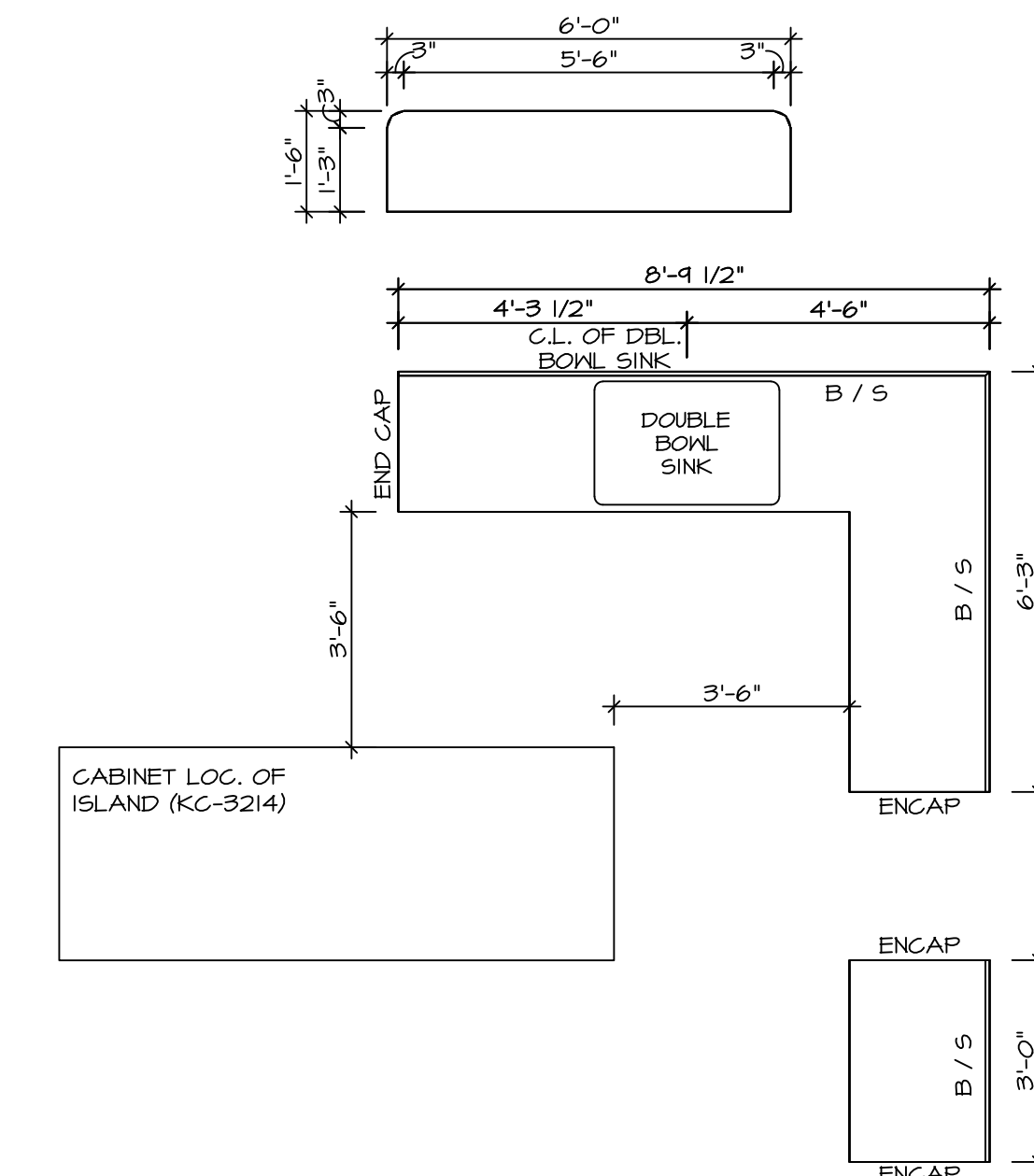
NVR, Inc., owner, expressly reserves its copyright in these plans. These plans are not to be reproduced, changed, copied, or otherwise used in any way without the written consent of NVR, Inc.

**NVR**  
NVR, Inc.  
Architectural Services  
100  
5285 Washburne  
Frederick, MD 21703

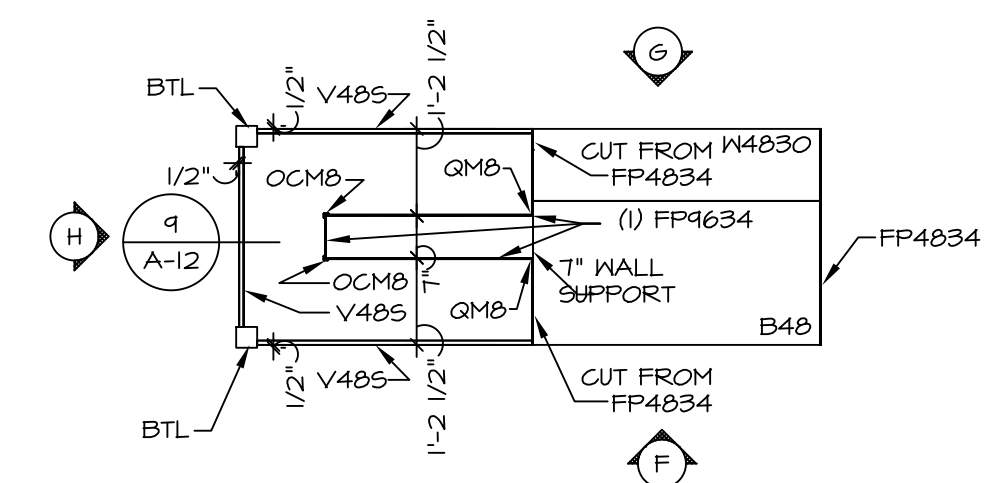
C:\NVR\Solves\PALERMO\_PALOO\_03\DCY-YG-K41\548652\Sheets\1.dwg 09/26/17 - 5:02 pm



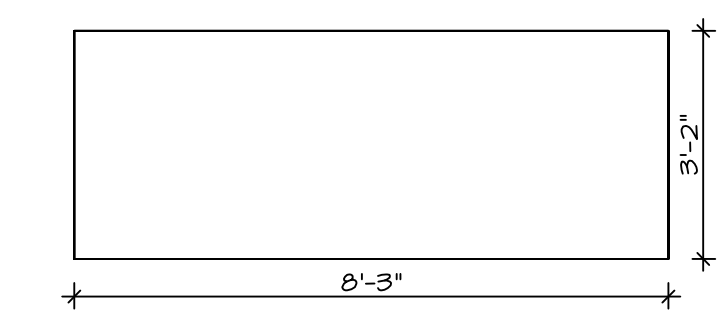
**KITCHEN CABINET PLAN-KC-2862**  
 STANDARD KITCHEN MORNING ROOM SCALE: 3/8" = 1'-0" A-12



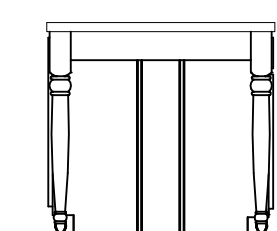
**KITCHEN COUNTERTOP PLAN-KT-2862**  
 STANDARD KITCHEN MORNING ROOM SCALE: 3/8" = 1'-0" A-12



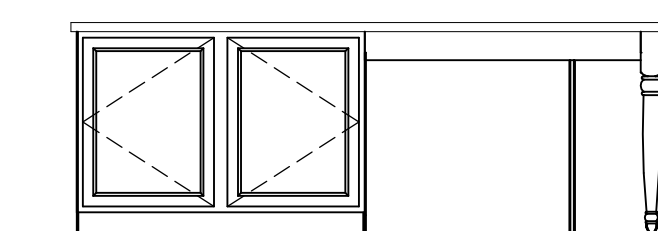
**KITCHEN CABINET PLAN-KC-3214**  
 GOURMET ISLAND SCALE: 3/8" = 1'-0" A-12



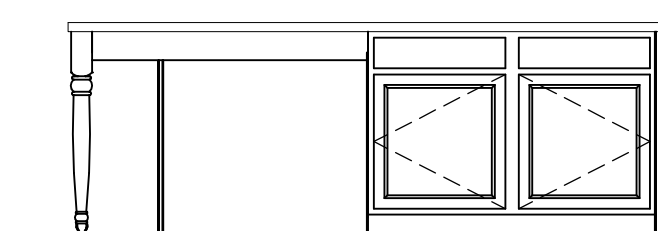
**KITCHEN COUNTERTOP PLAN-KT-3214**  
 GOURMET ISLAND SCALE: 3/8" = 1'-0" A-12



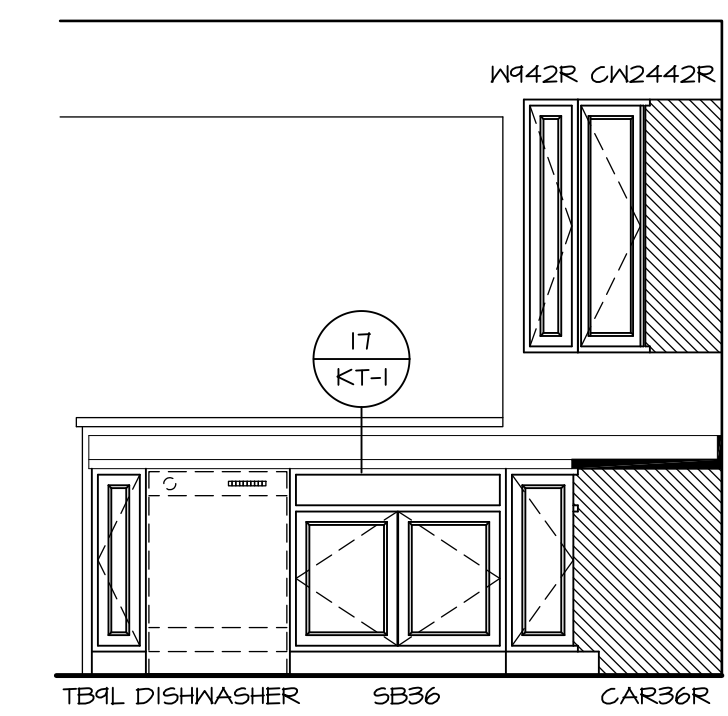
**KITCHEN ELEVATION H**  
 SCALE: 3/8" = 1'-0"



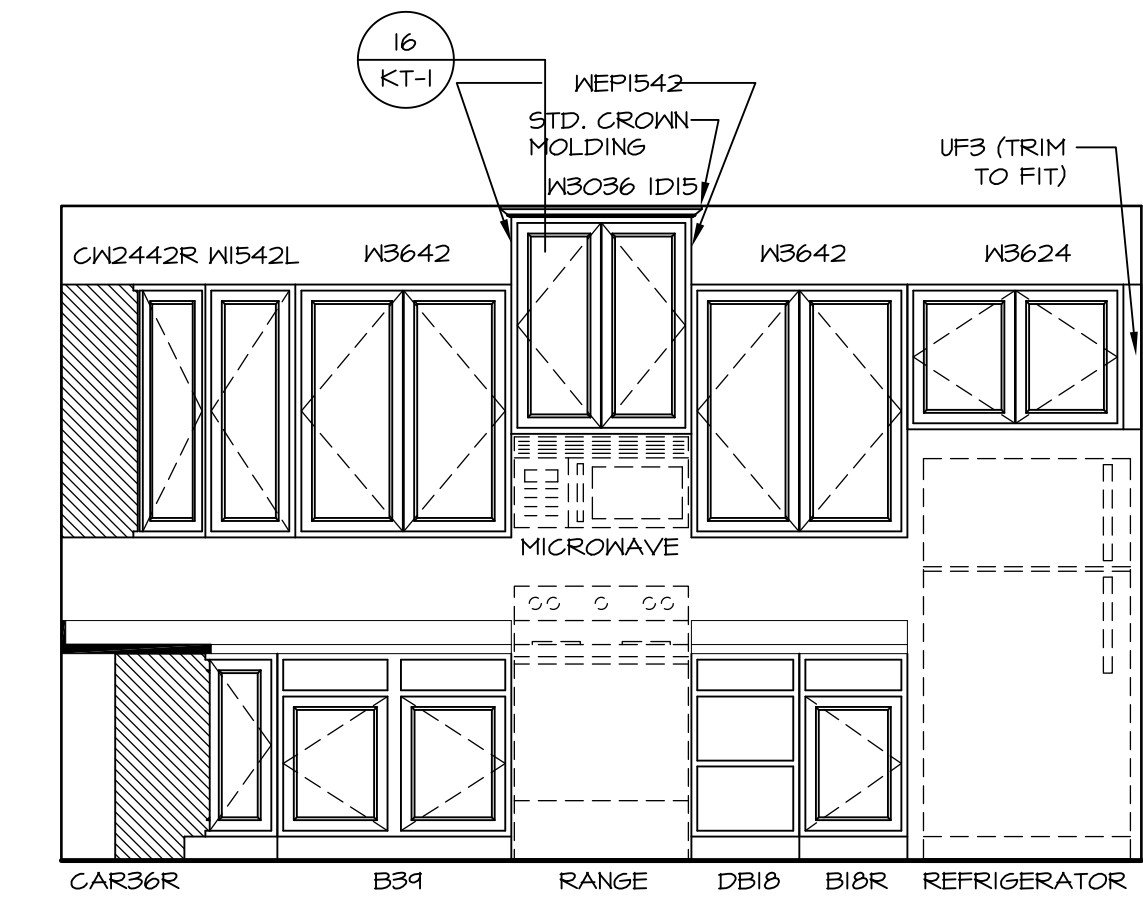
**KITCHEN ELEVATION G**  
 SCALE: 3/8" = 1'-0"



**KITCHEN ELEVATION F**  
 SCALE: 3/8" = 1'-0"

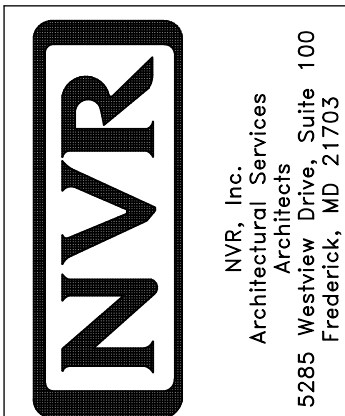


**KITCHEN ELEVATION C**  
 SCALE: 3/8" = 1'-0"

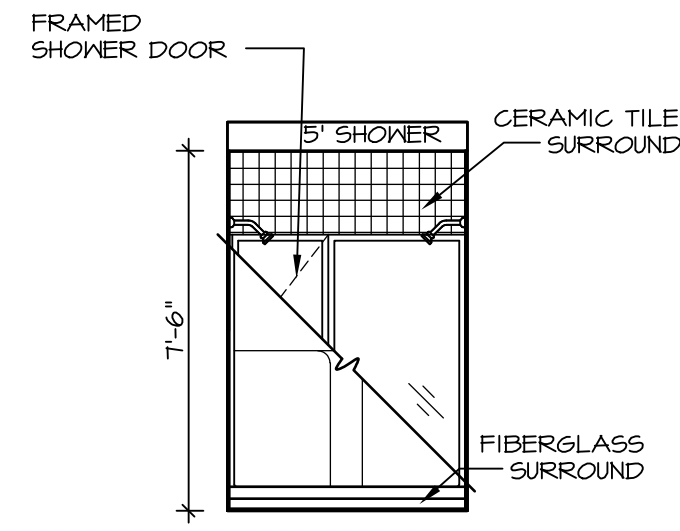


**KITCHEN ELEVATION A**  
 SCALE: 3/8" = 1'-0"

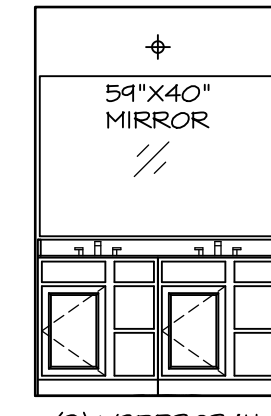
SHEET NO. <b>A-12</b>	MODEL <b>PALERMO</b>	SET NO. <b>PALOO</b>	REVISIONS	REV. NO.	DATE	REMARKS
	DRAWING TITLE	VERSION <b>03</b>	DRAWN BY			
OPTION	DESCRIPTION	DATE:				
<b>70</b>		OPTION				



NVR, Inc., owner, expressly reserves its common law copyright in these architectural plans. These plans are not to be reproduced, changed, copied, or otherwise used in any way without the written consent of NVR, Inc.

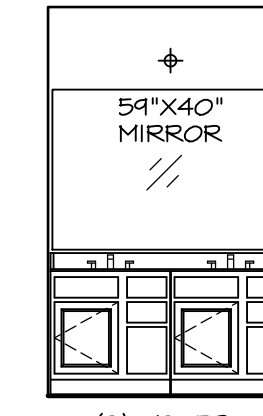


**N** OWNER'S BATH  
SCALE: 1/4" = 1'-0"



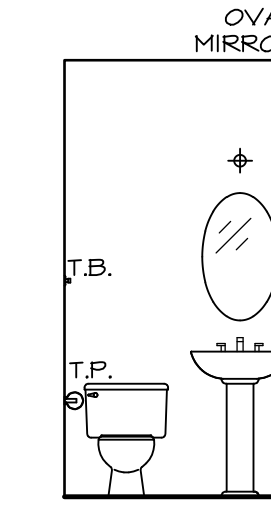
(2) V5DB3034H

**J** OWNER'S BATH  
SCALE: 1/4" = 1'-0"



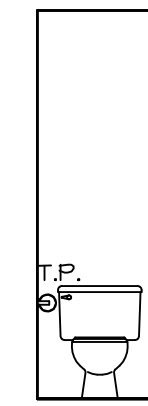
(2) V5DB30

**E** BATH #1  
SCALE: 1/4" = 1'-0"

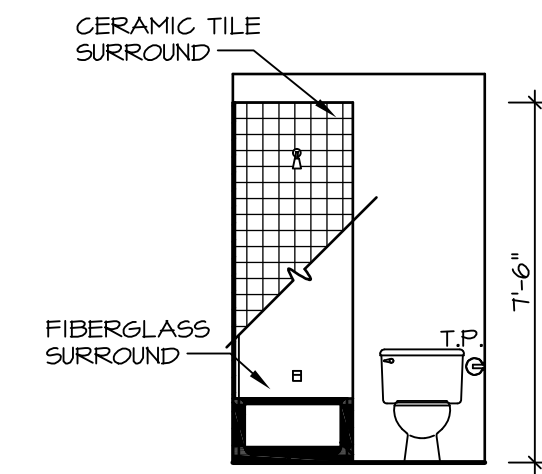


PEDESTAL SINK (BY DIVISION) WITH OVAL MIRROR

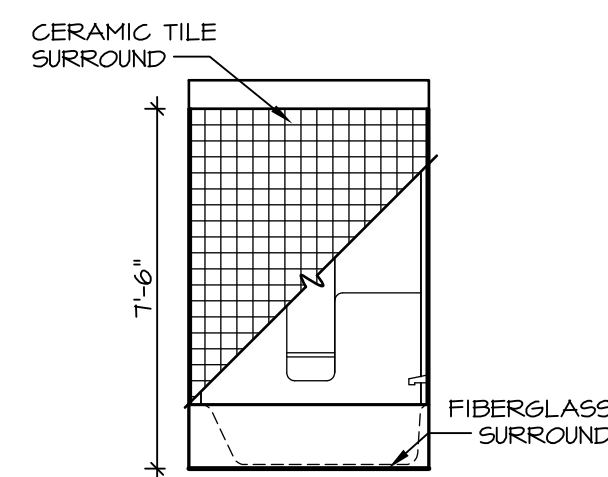
**B** POWDER ROOM  
SCALE: 1/4" = 1'-0"



**H** OWNER'S BATH  
SCALE: 1/4" = 1'-0"



**G** BATH #1  
SCALE: 1/4" = 1'-0"



**F** BATH #1  
SCALE: 1/4" = 1'-0"

**NOTES:**

1. TEMPERED GLASS SHOWER ENCLOSURE WITH SWING DOOR OR OPTIONAL SLIDING DOOR BY DIVISION
2. TUB ACCESS PANELS PROVIDED AS NEEDED, ALL MATERIALS BY DIVISION
3. REFER TO SHEET IT-2 FOR TUB AND SHOWER DETAILS.
4. ALL V5DB24-42 DRAWERS TO BE SET ON RIGHT HAND.
5. BATH ELEVATIONS ARE SHOWN PER PLAN.

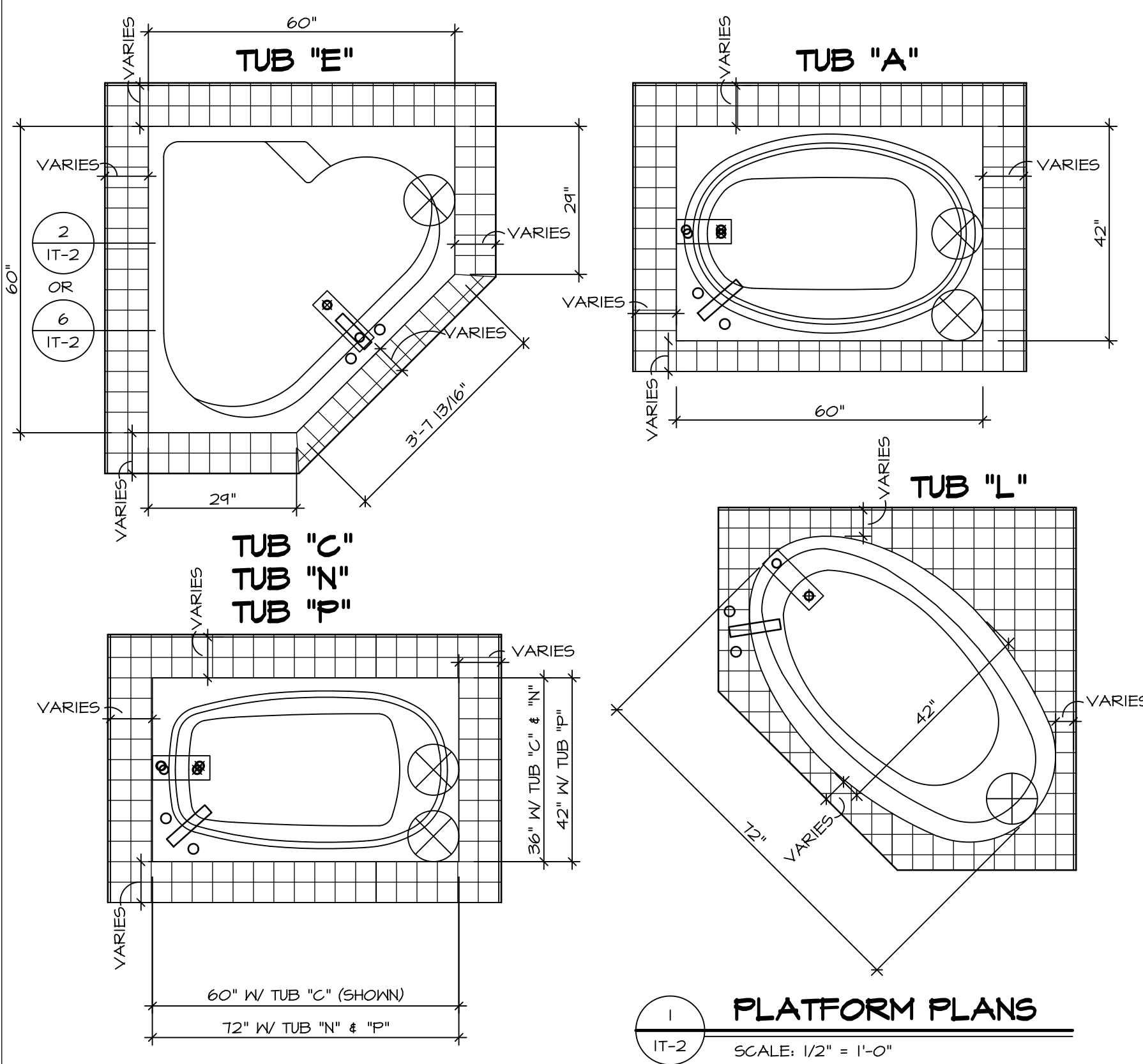
SHEET NO.	MODEL	SET NO.	VERSION	DRAWN BY	DATE:	OPTION
A-13	PALERMO	03	03			
	DRAWING TITLE					
	BATH ELEVATIONS					
	OPTION DESCRIPTION					

**NVR**  
NVR, Inc.  
Architectural Services  
Architects  
5285 Westover Lane, Suite 100  
Frederick, MD 21703

NVR, Inc., owner, expressly reserves its copyright in these plans. These plans are not to be reproduced, changed, copied in any way, or used for any purpose not assigned to them without the written consent of NVR, Inc.

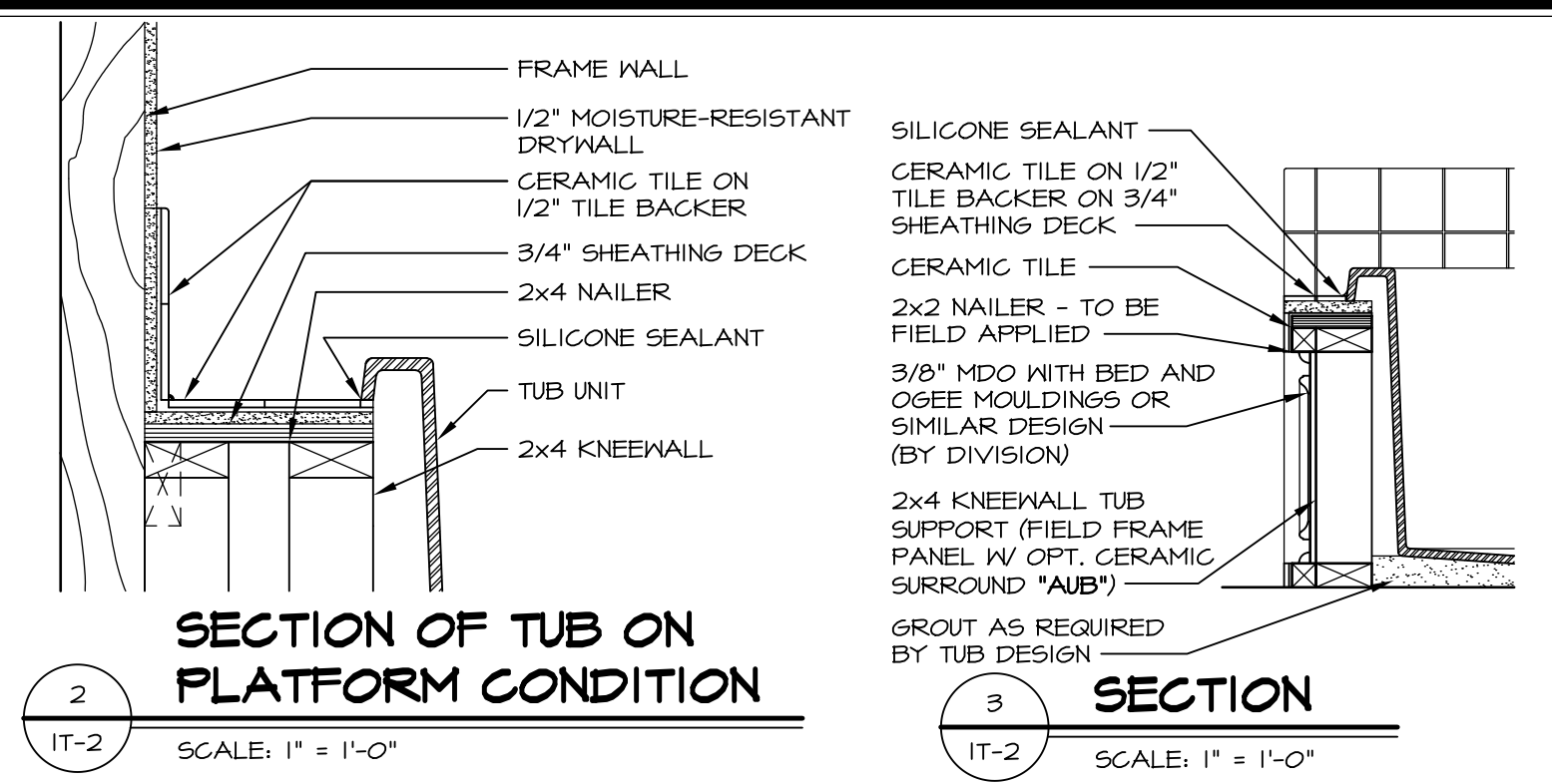
REV. NO.	DATE	REMARKS
1	08/04/16	TM - DRAWING ALIGNMENT



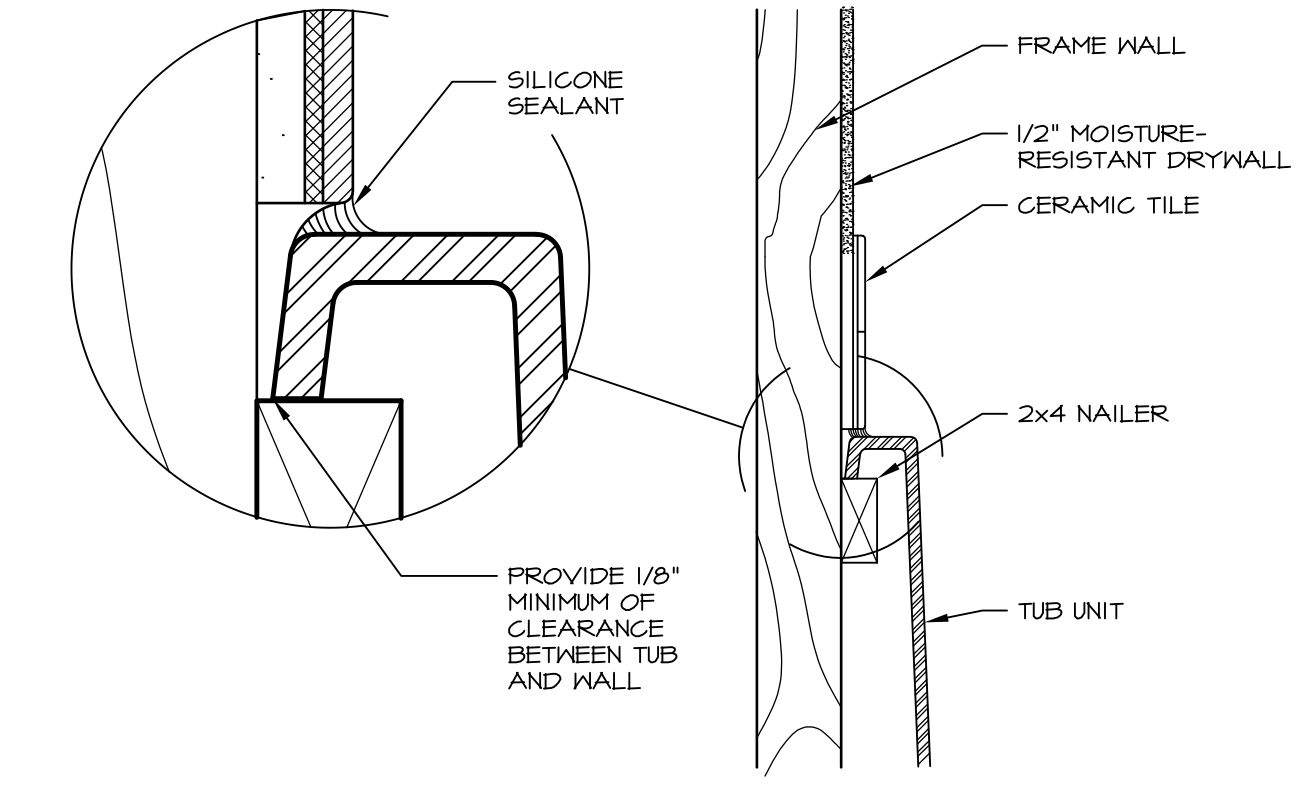


**1 PLATFORM PLANS**  
SCALE: 1/2" = 1'-0"

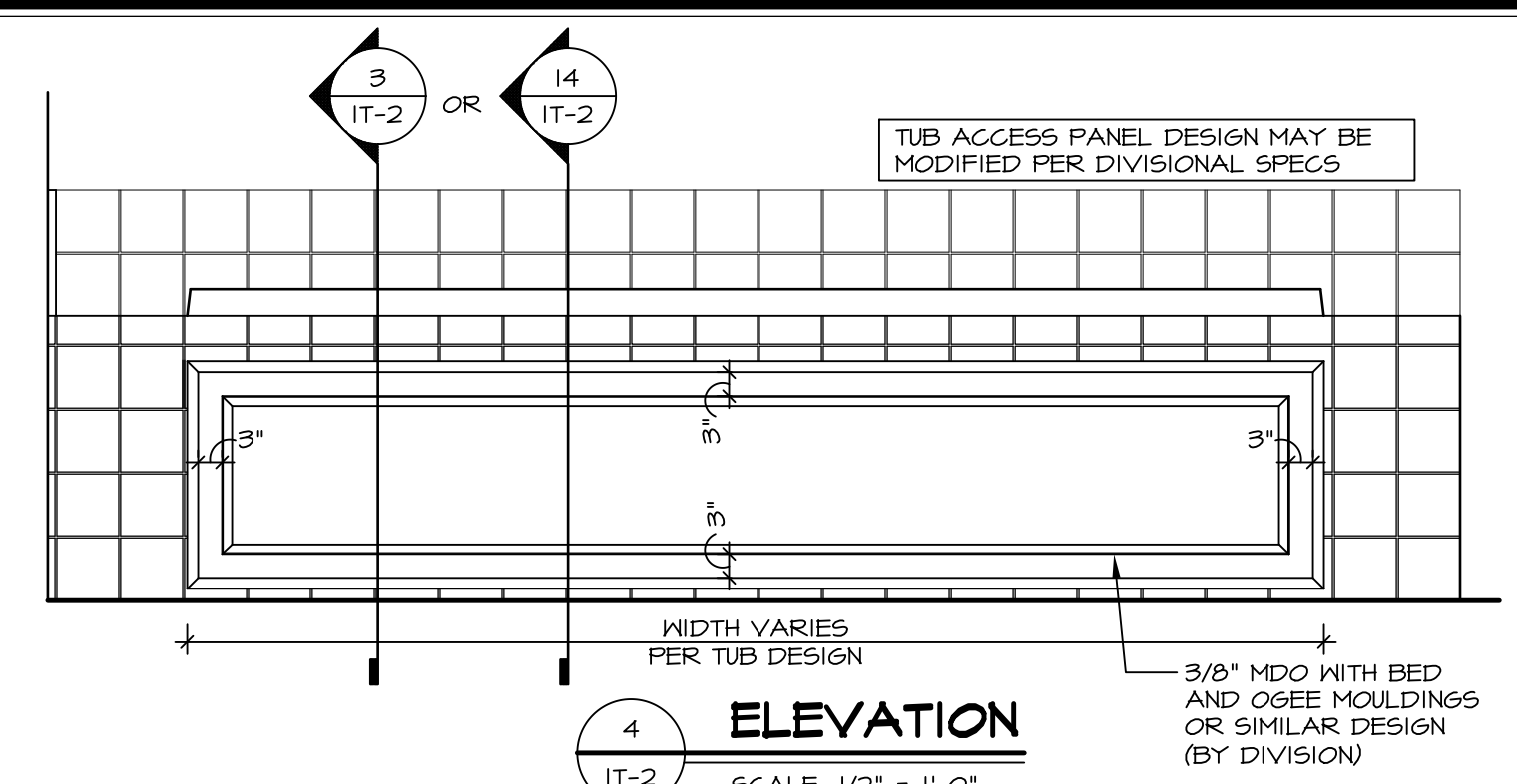
TUB	MANUF.	HEIGHT	WIDTH	LENGTH	TUB DECK PANEL HEIGHT
"A"	KOHLER/ STERLING	18 3/4"	42"	60"	17 1/8"
"C"	KOHLER/ STERLING	18 3/4"	36"	60"	17 1/8"
"E"	KOHLER/ STERLING	19 1/2"	60"	60"	17 7/8"
"L"	KOHLER/ STERLING	18 1/2"	42"	72"	16 7/8"
"N"	KOHLER/ STERLING	18 3/4"	36"	72"	17 1/8"
"P"	KOHLER/ STERLING	18 3/4"	42"	72"	17 1/8"



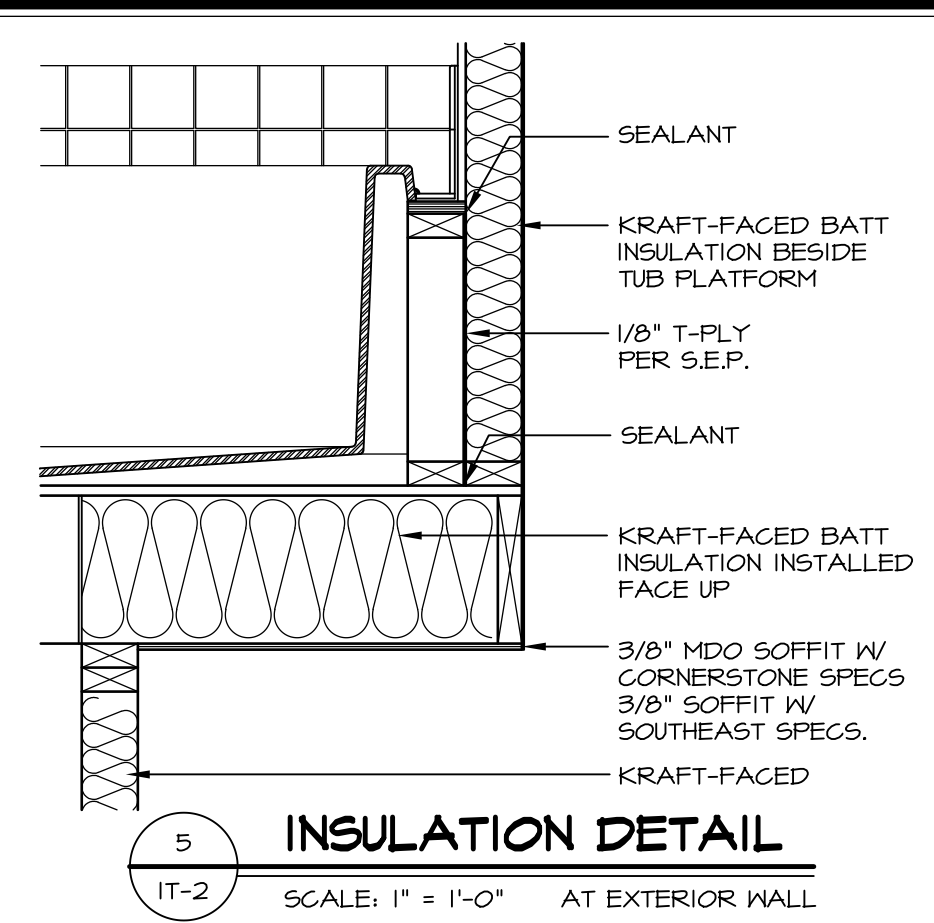
**2 SECTION OF TUB ON PLATFORM CONDITION**  
SCALE: 1" = 1'-0"



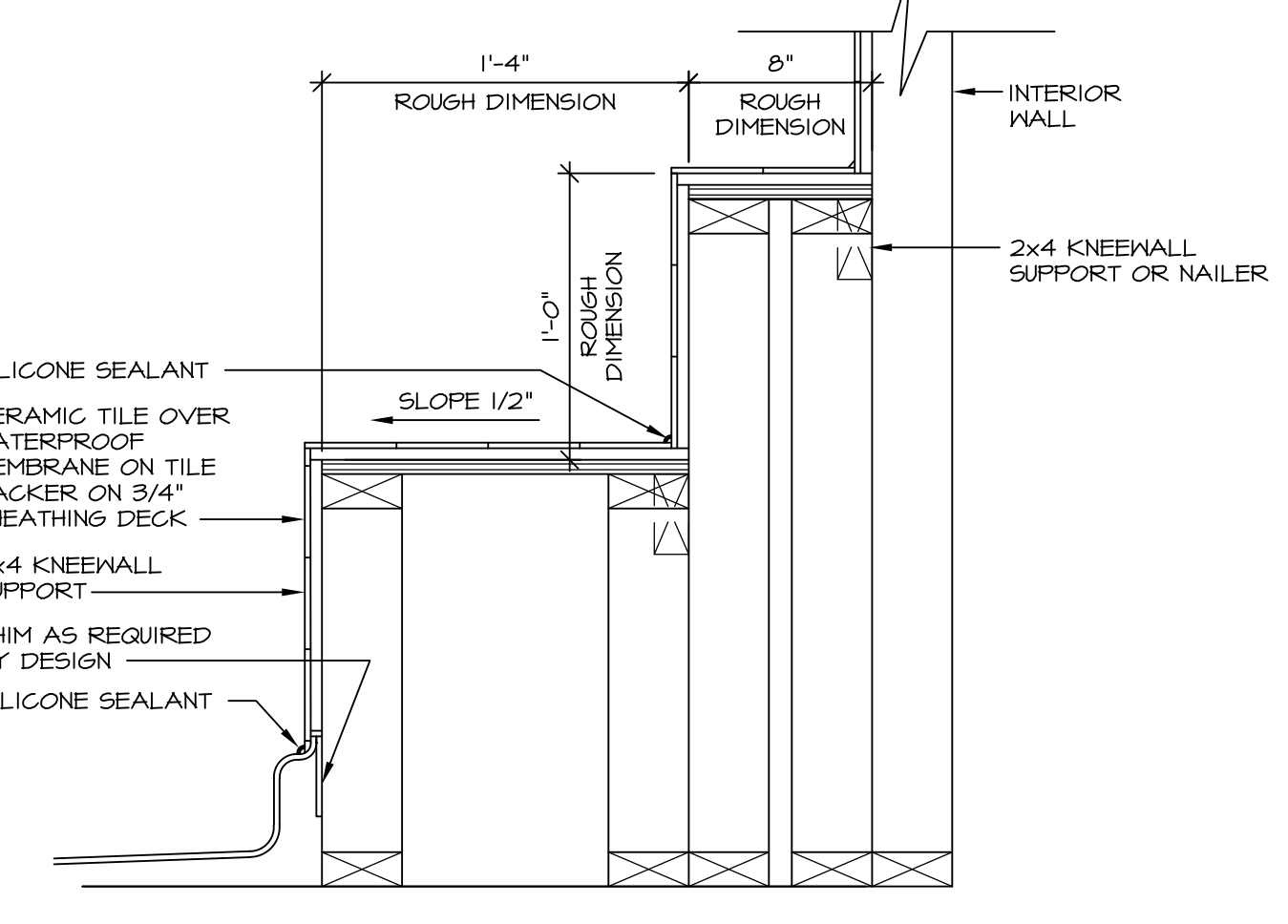
**3 SECTION OF TUB TO WALL CONDITION**  
SCALE: 1 1/2" = 1'-0"



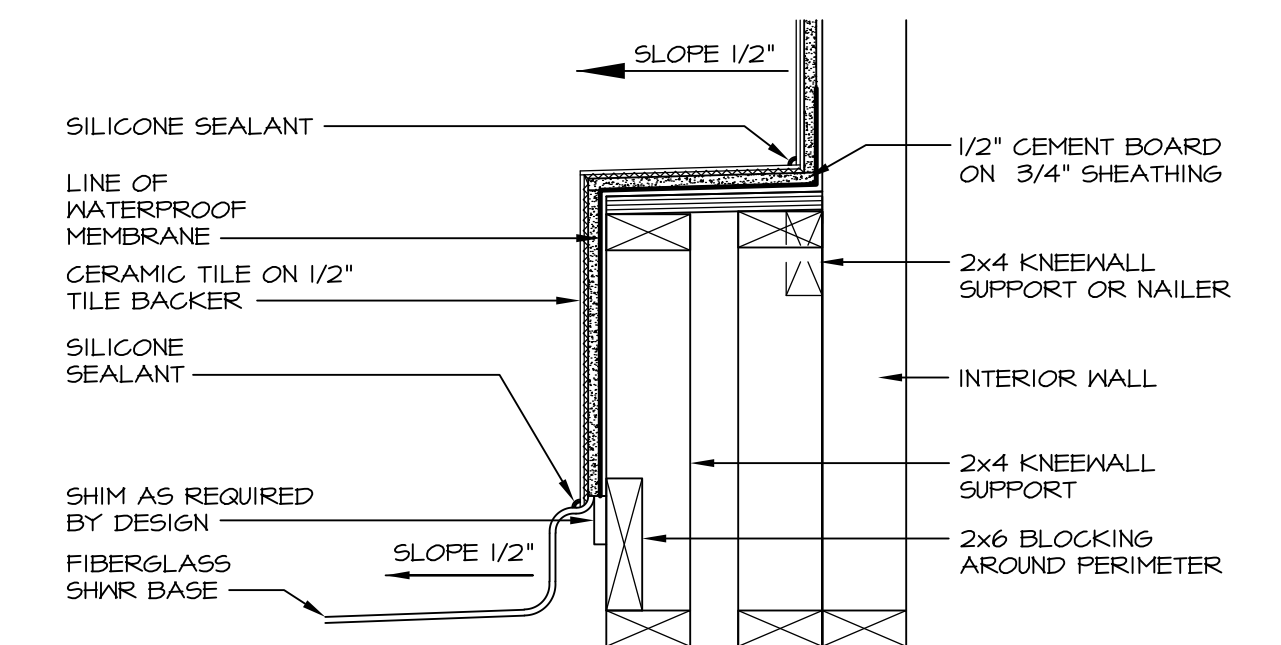
**4 ELEVATION**  
SCALE: 1/2" = 1'-0"



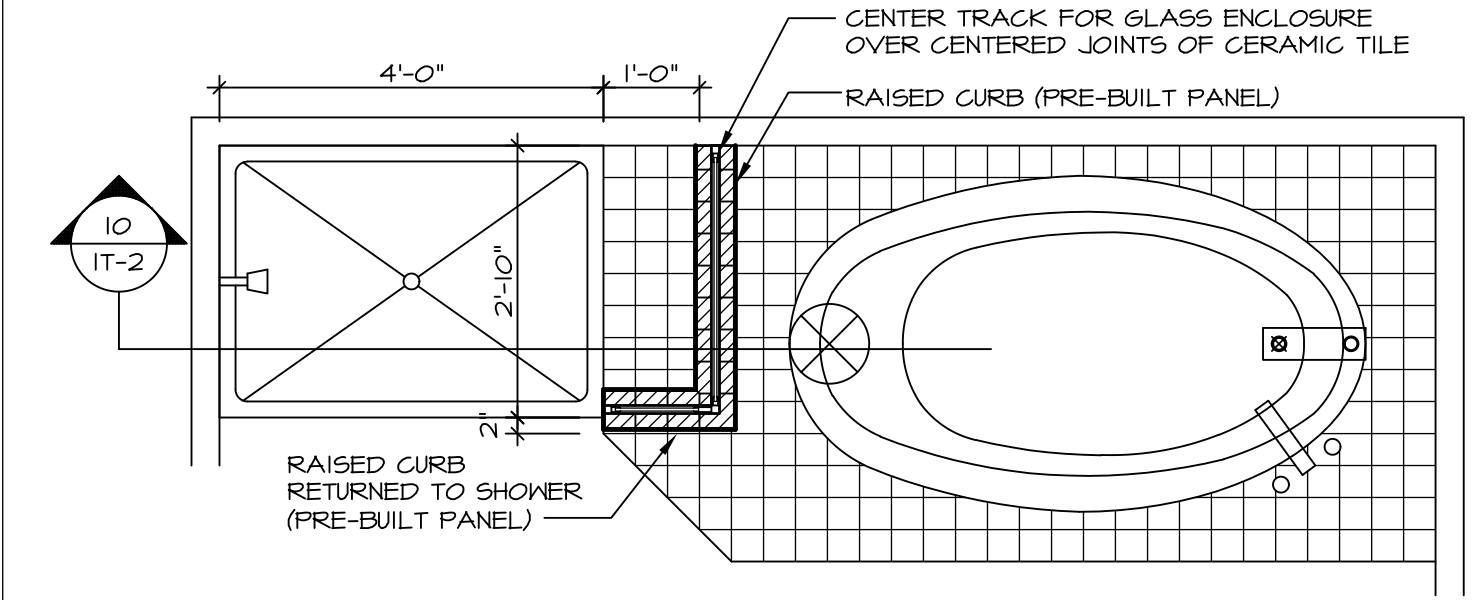
**5 INSULATION DETAIL**  
SCALE: 1" = 1'-0" AT EXTERIOR WALL



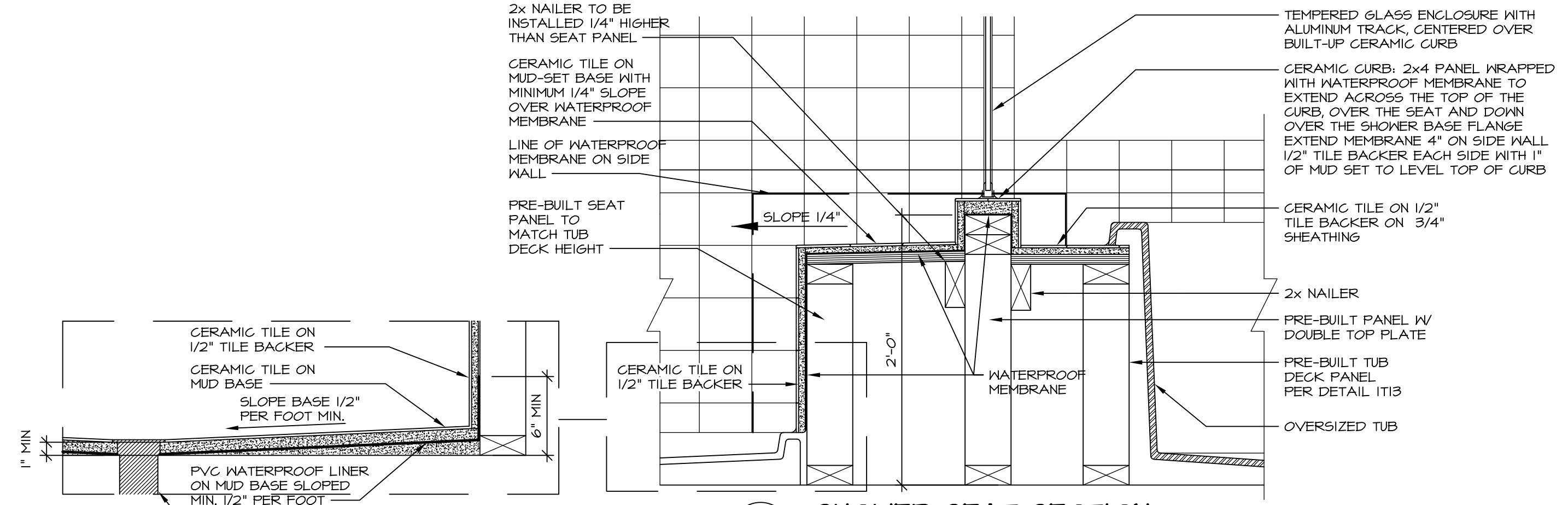
**6 SECTION OF SHOWER SEAT AND SHELF**  
SCALE: 1 1/2" = 1'-0"



**7 SECTION OF SHOWER SEAT**  
SCALE: 1-1/2" = 1'-0" FIBERGLASS SHOWER BASE



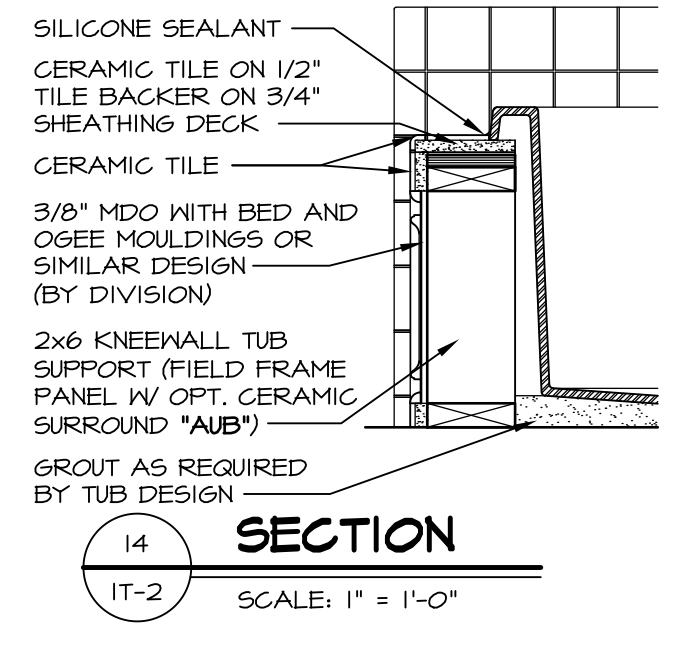
**9 SHOWER SEAT PLAN / DETAIL**  
SCALE: 1/2" = 1'-0"



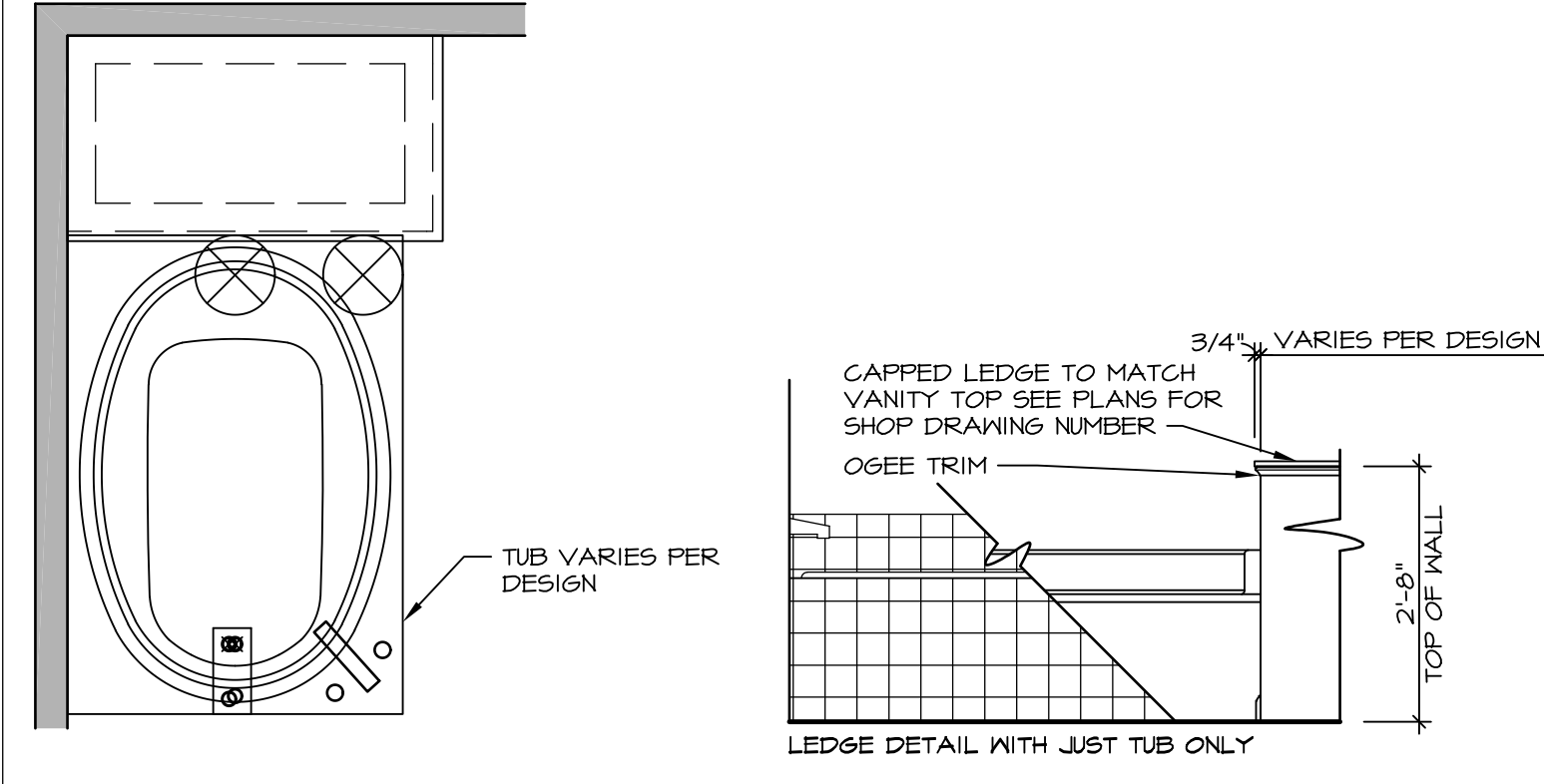
**10 SHOWER SEAT SECTION**  
SCALE: 1-1/2" = 1'-0"



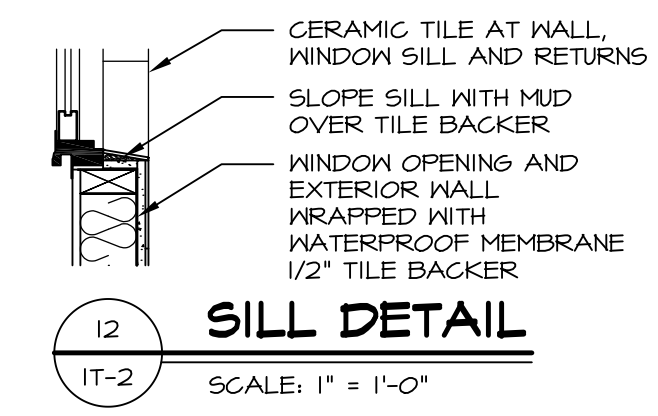
**11 ALTERNATE SHOWER PAN DETAIL**



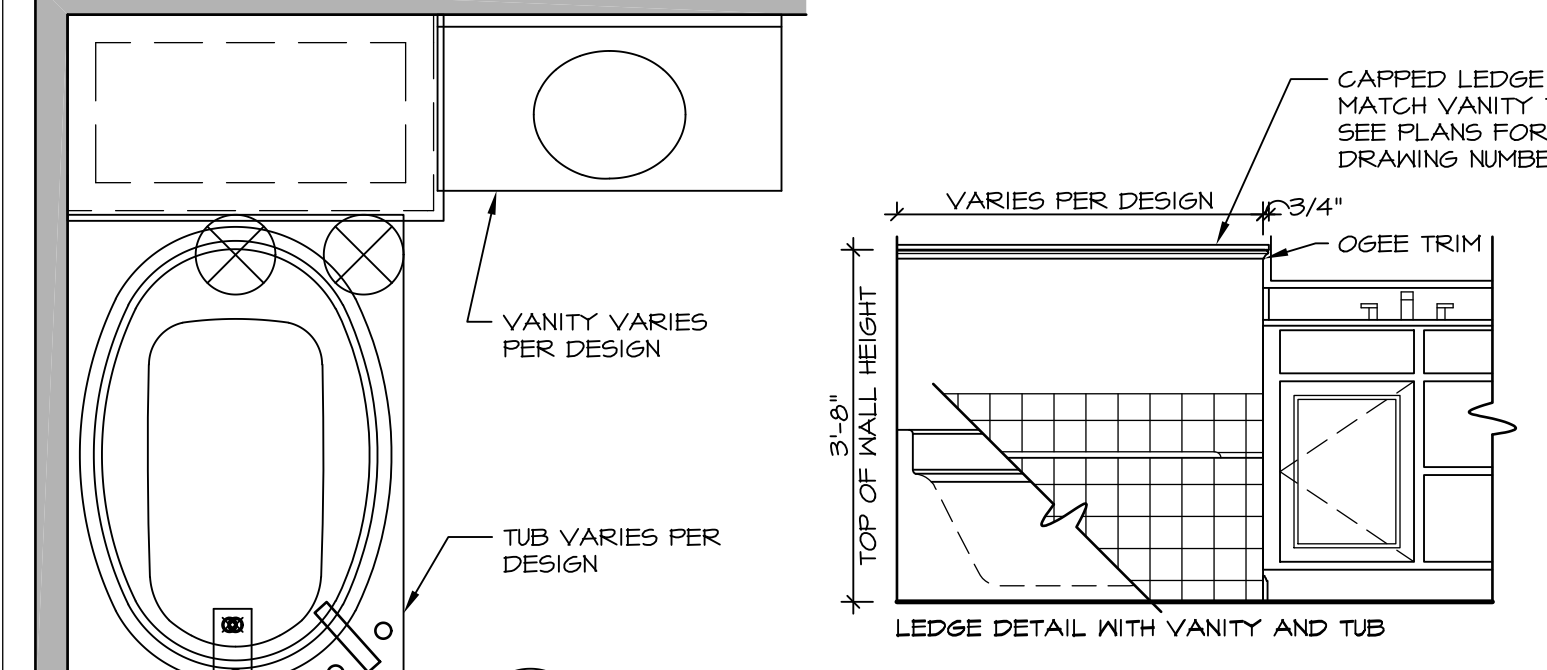
**12 SECTION**  
SCALE: 1" = 1'-0"



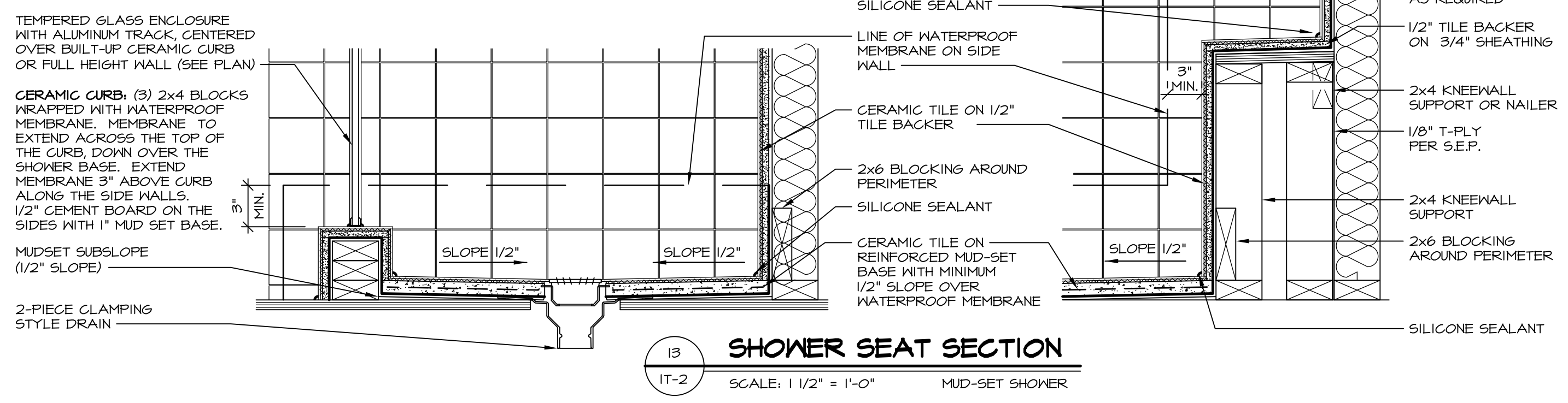
**13 BATHROOM LEDGE DETAIL**  
SCALE: 1/2" = 1'-0"



**14 SILL DETAIL**  
SCALE: 1" = 1'-0"



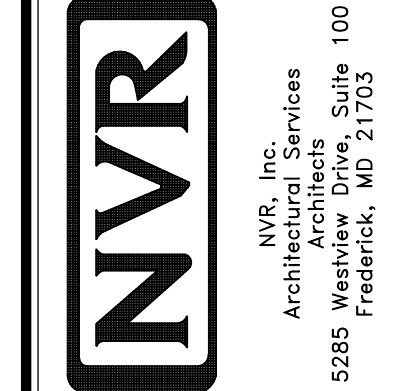
**15 BATHROOM LEDGE DETAIL**  
SCALE: 1/2" = 1'-0"



**16 SHOWER SEAT SECTION**  
SCALE: 1 1/2" = 1'-0" MUD-SET SHOWER

REV. NO. DATE  
5/11/17 EBP - REVISED DETAIL 1 AND 11 TO REMOVE TUB ACCESS PANEL REF. (CBS #15 8414)

REMARKS  
NVR, Inc., owner, expressly reserves its common law copyright and other property rights in these plans. These plans are not to be copied, reproduced, or otherwise used in any way without the express written consent of NVR, Inc.



SET NO.	VERSION	DRAWN BY	DATE:	OPTION
1				

MODEL: STANDARD DETAILS  
DRAWING TITLE: INTERIOR TRIM DETAILS  
BATH DETAILS  
OPTION DESCRIPTION:

SHEET NO. **IT-2**