

**FIRST FLOOR PLAN**  
SCALE: 1/4" = 1'-0"

**LEGEND**

- BEARING WALL
- NON BEARING WALL
- INDICATES BEARING FROM POINT-LOAD ABOVE
- JACKS
- BEAM/HEADER
- PAD FOOTING
- STEEL COLUMN
- PORTAL FRAME
- JOIST/TRUSS
- LVL
- ENGINEERING PAGE NUMBER
- SEE FC DETAILS FOR FRAMING CONNECTORS

**FLOOR PLAN NOTES** RYAN

- ALL HEADERS ARE (2) 2x6 w/ 2x4 WALLS OR (3) 2x6 w/ 2x6 WALLS, UNLESS OTHERWISE NOTED.
- ALL HEADERS TO HAVE (1) 2x4 OR 2x6 JACK AND KING STUD EACH END, UNLESS OTHERWISE NOTED.
- ALL EXTERIOR WALLS TO BE 4" w/ OSB OR 3 1/2" w/ T-PLY. ALL INTERIOR WALLS TO BE 3 1/2", UNLESS OTHERWISE NOTED.
- HATCHED AREAS INDICATE DROPPED CEILING. ALL DROPPED CEILING ARE 12" UNLESS OTHERWISE NOTED. SEE "BRACED WALL PANEL DETAIL SHEET" FOR SPECIAL WALL FRAMING LOCATIONS AND HEADER SIZES, IF APPLICABLE.
- SEE STANDARD DETAIL CATEGORY "IT" SHEET(S) FOR INTERIOR TRIM DETAILS.
- SEE ARCHITECTURAL DETAIL SHEET "AD" FOR HOUSE SPECIFIC INTERIOR TRIM OPTION TABLE.
- ALL WINDOWS HAVE 7'-0 1/2" HEADER HEIGHT UNLESS OTHERWISE NOTED.
- ALL HEADERS IN NON-BEARING WALLS SHALL BE A SINGLE FLAT 2x4 OR 2x6 ATTACHED TO CRIPPLES ABOVE, UNLESS OTHERWISE NOTED.

**GYPSUM NOTES** RYAN

- AT GARAGE:**  
GYPSUM BOARD AT COMMON WALLS, CEILING, BEAM WRAPS AND SUPPORTS PER STANDARD DETAIL FA-10b FIRE ASSEMBLIES OR AS REQUIRED BY LOCAL CODE.
- AT STAIRS:**  
1/2" GYPSUM BOARD AT UNDERSIDE OF STAIRS AND WALLS IN CLOSET

**LVL PLY TO PLY FASTENING SCHEDULE: (WHERE APPLICABLE BASED ON LVL USAGE)**

- 1A - (2) PLY UP TO AND INCLUDING 11 7/8" TALL; FASTEN PLYS W/ (2) ROWS 16D NAILS AT 12" O.C.
- 2A - (2) PLY 14" TO AND 18" TALL (INCLUSIVE); FASTEN PLYS W/ (3) ROWS 16D NAILS AT 12" O.C.
- 3A - (2) PLY 20" TALL AND OVER; FASTEN PLYS W/ (4) ROWS 16D NAILS AT 12" O.C.
- 4A - (3) PLY UP TO AND INCLUDING 11 7/8" TALL; FASTEN PLYS W/ (2) ROWS 16D NAILS AT 12" O.C. FROM EACH SIDE
- 5A - (3) PLY 14" TO AND 18" TALL (INCLUSIVE); FASTEN PLYS W/ (3) ROWS 16D NAILS AT 12" O.C. FROM EACH SIDE
- 6A - (3) PLY 20" TALL AND OVER; FASTEN PLYS W/ (4) ROWS 16D NAILS AT 12" O.C. FROM EACH SIDE
- 7A - (4) PLY (ALL SIZES); FASTEN PLYS W/ (2) ROWS 1/2" DIAMETER A307 BOLTS AT 24" O.C. SEE SHOP DRAWING FOR ADDITIONAL INFORMATION.

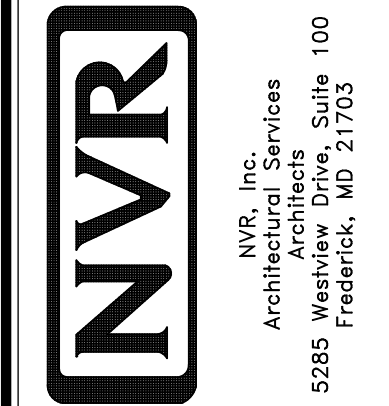
**FIELD INSTALLED FIRST FLOOR BEAM/HEADER SCHEDULE**

IDENTIFIER	DESCRIPTION	LENGTH	OPTIONS	ENG. NUM.	REMARKS
B00-2	LVL - 11-14	13'-5 9/16"	ELL	1017	1A (FIELD INSTALLED)
B04-2	LVL - 11-14	13'-5"	ELL	1017	1A (FIELD INSTALLED)
B1	BEAM STEEL - W12X35	24'-2"		1021	
B17-2	LVL - 11-14	3'-10"	BAR, GAA, FBA	1071	1A
B18-3	LVL - 16	16'-6"	GCC, GAA	1051	5A
B2	BEAM STEEL - W12X26	20'-2 1/2"		1023	

**FIRST FLOOR JACK SCHEDULE**

IDENTIFIER	DESCRIPTION	OPTIONS	ENG. NUM.	REMARKS
J01	JACK - (5) 2X4 SP#1		1021	
J02	JACK - (5) 2X6 SP#1		1021	
J03	JACK - (2) 2X4 SP# STUD GRADE		1014	
J04	JACK - (3) 2X4 SP# STUD GRADE		1017	
J05	JACK - (3) 2X4 SP# STUD GRADE		1017	
J06	JACK - (2) 2X4 SP# STUD GRADE		1057	
J07	JACK - (2) 2X4 SP# STUD GRADE		1057	
J10	JACK - (5) 2X4 SP#1		1023	
J16	JACK - (2) 2X6 SP# STUD GRADE	GCC, GAA	1021	
J17	JACK - (2) 2X6 SP# STUD GRADE	GCC, GAA	1051	
J18	JACK - (6) 2X4 SP# STUD GRADE	ELL	1017	
J19	JACK - (6) 2X4 SP# STUD GRADE	ELL	1017	
J25	JACK - (5) 2X4 SP#1	ELL	2000	
J26	JACK - (5) 2X4 SP#1	ELL	2000	
J37	JACK - (2) 2X4 SP# STUD GRADE	ELL	1041	
J38	JACK - (2) 2X4 SP# STUD GRADE	ELL	1007	
J39	JACK - (2) 2X4 SP# STUD GRADE	ELL	1007	
J40	JACK - (2) 2X4 SP# STUD GRADE	GCC, GAA	1071	
J41	JACK - (2) 2X4 SP# STUD GRADE	GCC, GAA	1071	
J44	JACK - (2) 2X4 SP# STUD GRADE	BAR, GAA, FBA	1071	
J45	JACK - (2) 2X6 SP# STUD GRADE	BAR, GAA, FBA	1071	

MODEL: **NORMANDY**  
DRAWING TITLE: **FIRST FLOOR PLAN**  
SHEET NO.: **A-7**

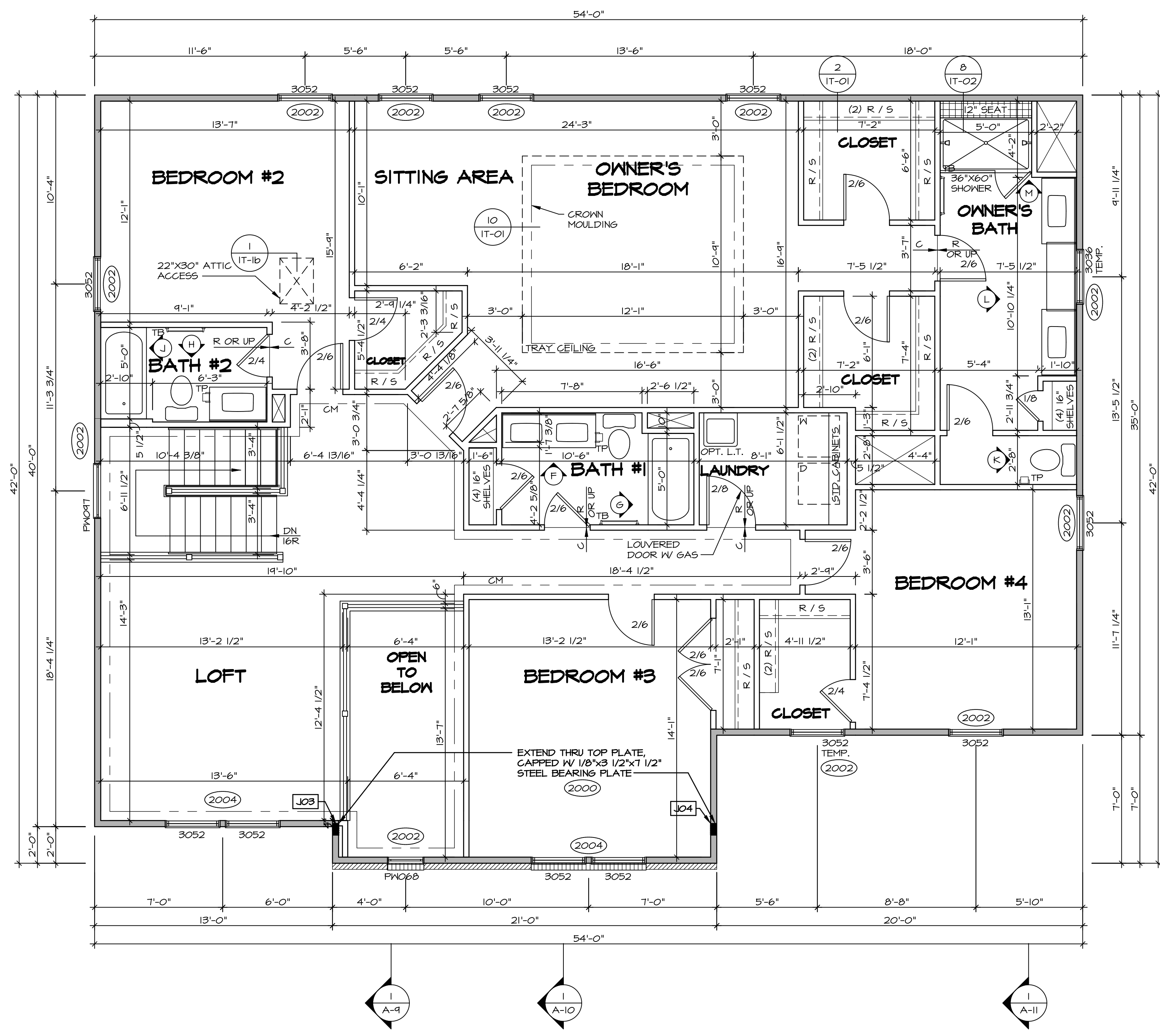


NVR, Inc., owner, expressly reserves its copyright in these plans. These plans are not to be reproduced, changed, copied, or otherwise used without the written consent of NVR, Inc.

**REVISIONS**

REV. NO.	DATE	DESCRIPTION
1	08/07/16	NL - DRAWING ALIGNMENT
2	10/25/16	TM - STANDARD DETAILS 3.0
3	07/17/17	SL5 - T-PLY CONVERSION PROJECT

SET NO. **NRMOO**  
VERSION **01**  
DRAWN BY **SGA**  
DATE: **6/29/15**  
OPTION



**SECOND FLOOR PLAN**  
SCALE: 1/4" = 1'-0"

**LEGEND**

- BEARING WALL
- NON BEARING WALL
- INDICATES BEARING FROM POINT-LOAD ABOVE
- JACKS
- BEAM/HEADER
- PAD FOOTING
- STEEL COLUMN
- PORTAL FRAME
- JOIST/TRUSS
- LVL
- ENGINEERING PAGE NUMBER

SEE FC DETAILS FOR FRAMING CONNECTORS

- FLOOR PLAN NOTES** RYAN
- ALL HEADERS ARE (2) 2x6 w/ 2x4 WALLS OR (3) 2x6 w/ 2x6 WALLS, UNLESS OTHERWISE NOTED.
  - ALL HEADERS TO HAVE (1) 2x4 OR 2x6 JACK AND KING STUD EACH END, UNLESS OTHERWISE NOTED.
  - ALL EXTERIOR WALLS TO BE 4" w/ OSB OR 3 1/2" w/ T-PLY, ALL INTERIOR WALLS TO BE 3 1/2", UNLESS OTHERWISE NOTED.
  - HATCHED AREAS INDICATE DROPPED CEILINGS, ALL DROPPED CEILINGS ARE 12" UNLESS OTHERWISE NOTED.
  - SEE "BRACED WALL PANEL DETAIL SHEET" FOR SPECIAL WALL BRACING LOCATIONS AND HEADER SIZES, IF APPLICABLE.
  - SEE STANDARD DETAIL CATEGORY "11" SHEET(S) FOR INTERIOR TRIM DETAILS.
  - SEE ARCHITECTURAL DETAIL SHEET "AD" FOR HOUSE SPECIFIC INTERIOR TRIM OPTION TABLE.
  - ALL WINDOWS HAVE 7'-0 1/2" HEADER HEIGHT UNLESS OTHERWISE NOTED.
  - ALL HEADERS IN NON-BEARING WALLS SHALL BE A SINGLE FLAT 2x4 OR 2x6 ATTACHED TO CRIPPLES ABOVE, UNLESS OTHERWISE NOTED.

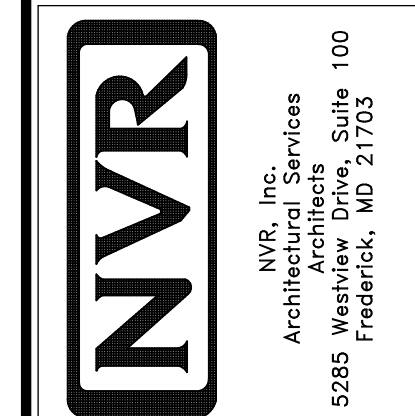
**SECOND FLOOR JACK SCHEDULE**

IDENTIFIER	DESCRIPTION	OPTIONS	ENG. NUM.	REMARKS
JO3	JACK - (5) 2X4 SP#1	ELL	2000	
JO4	JACK - (5) 2X4 SP#1	ELL	2000	

**REMARKS**

REV. NO.	DATE	DESCRIPTION
1	08/07/16	NL - DRAWING ALIGNMENT
2	11/05/16	TH - STANDARD DETAILS 3.0
3	07/17/17	SLS - T-PLY CONVERSION PROJECT

NVR, Inc., owner, expressly reserves its copyright in these plans. These plans are not to be reproduced, changed, copied, or otherwise used in any way without the written consent of NVR, Inc.

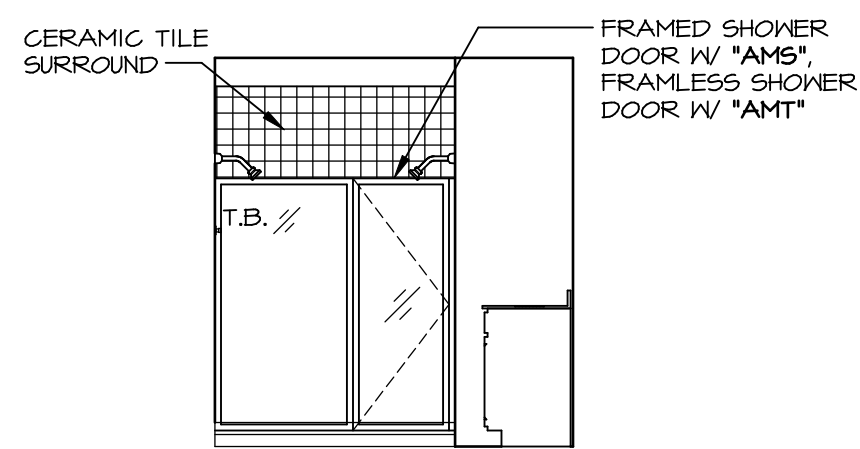


SET NO. NRM00  
VERSION 01  
DRAWN BY SGA  
DATE: 6/29/15  
OPTION

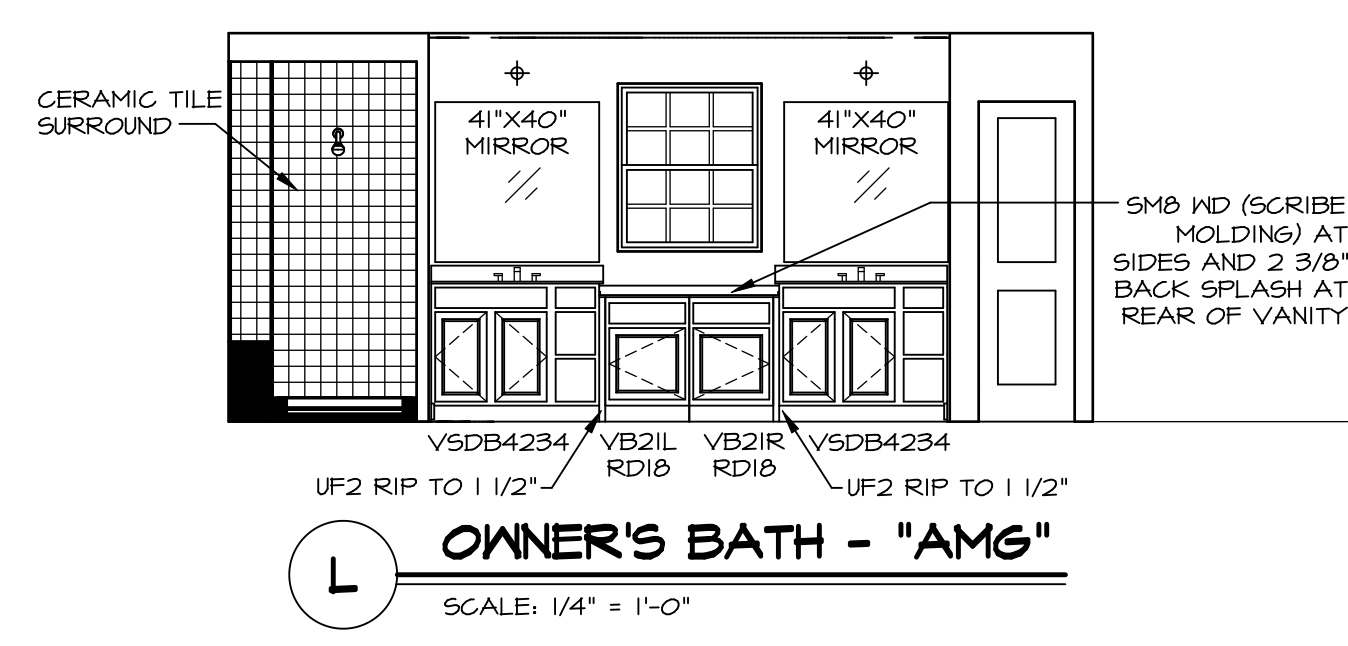
MODEL: NORMANDY  
DRAWING TITLE: SECOND FLOOR PLAN  
OPTION DESCRIPTION

SHEET NO. A-8  
38

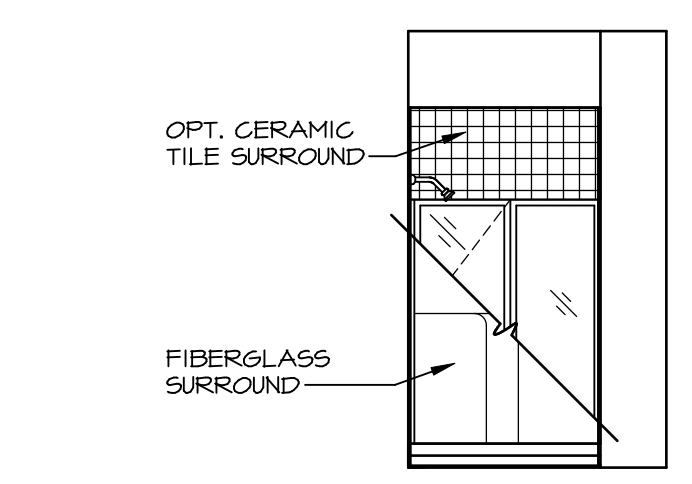




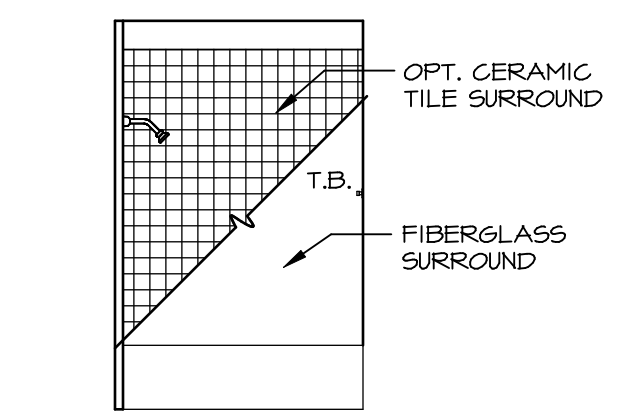
**M** OWNER'S BATH - "AMG"  
SCALE: 1/4" = 1'-0"



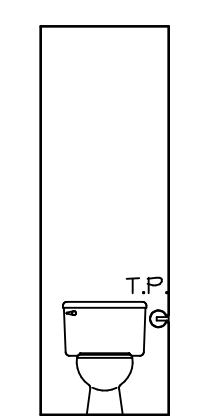
**L** OWNER'S BATH - "AMG"  
SCALE: 1/4" = 1'-0"



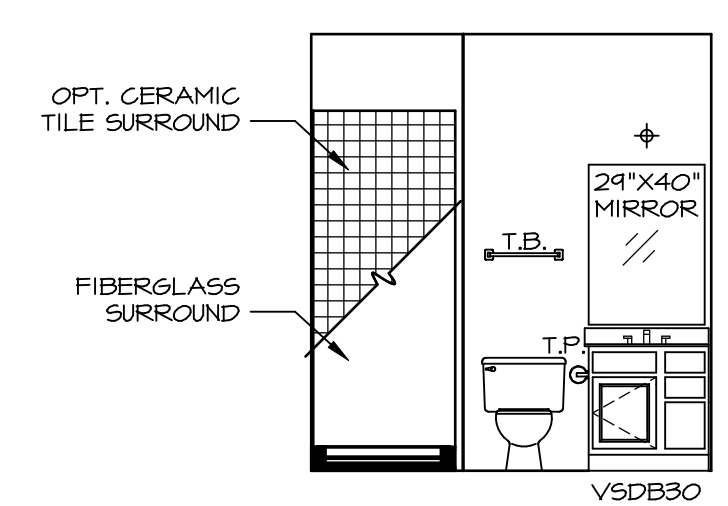
**E** FIRST FLOOR BATH - "BAR"  
SCALE: 1/4" = 1'-0"



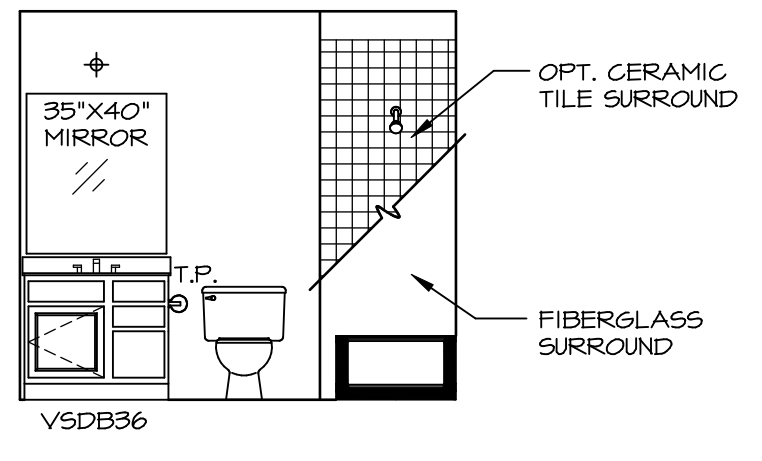
**J** BATH #2  
SCALE: 1/4" = 1'-0"



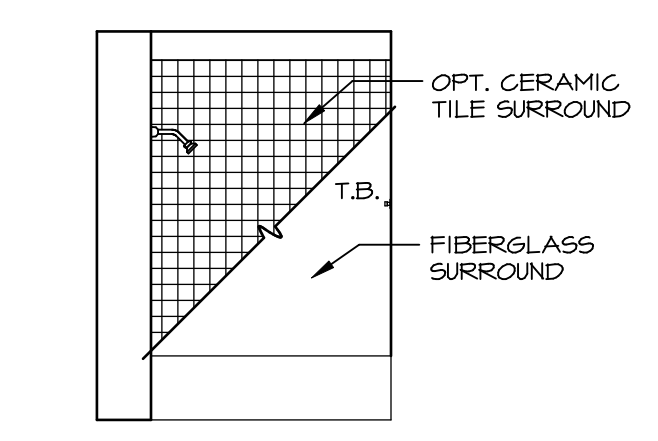
**K** OWNER'S BATH - "AMA" OR "AMG"  
SCALE: 1/4" = 1'-0"



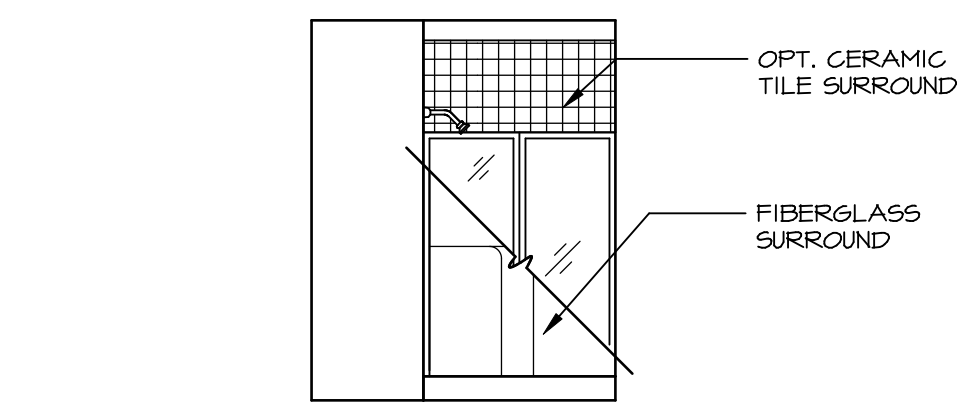
**D** FIRST FLOOR BATH - "BAR"  
SCALE: 1/4" = 1'-0"



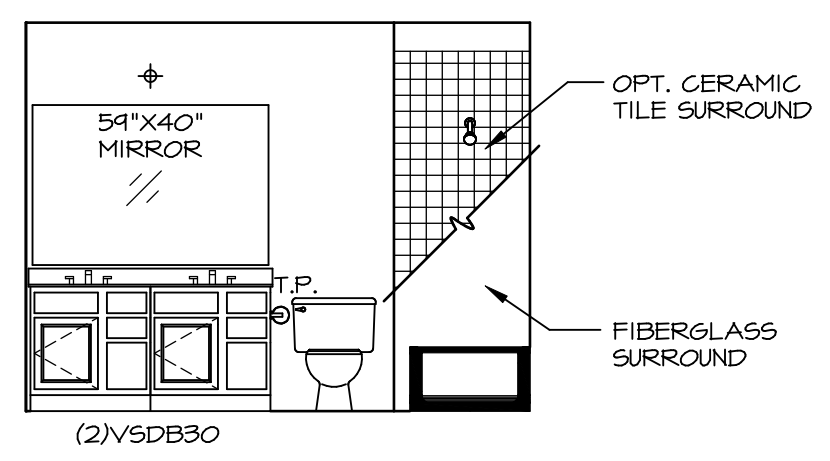
**H** BATH #2  
SCALE: 1/4" = 1'-0"



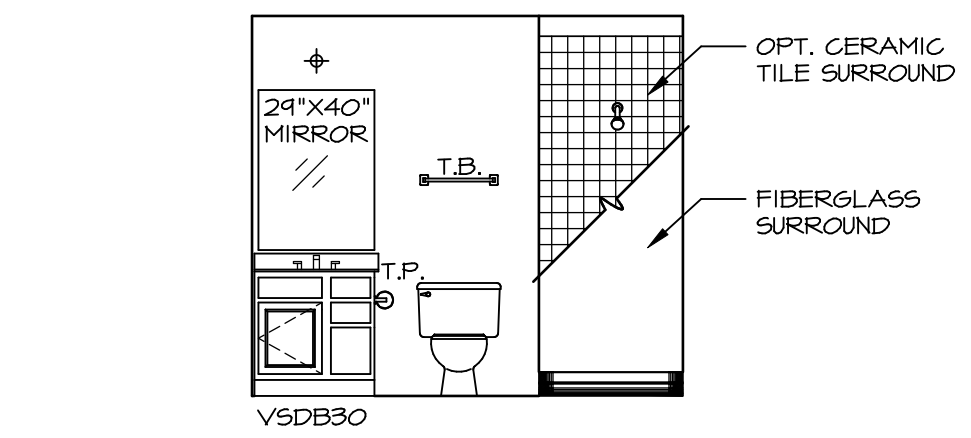
**G** BATH #1  
SCALE: 1/4" = 1'-0"



**B** BASEMENT BATH - "AEB"  
SCALE: 1/4" = 1'-0"



**F** BATH #1  
SCALE: 1/4" = 1'-0"



**A** BASEMENT BATH - "AEB"  
SCALE: 1/4" = 1'-0"

**NOTES:**

1. TEMPERED GLASS SHOWER ENCLOSURE WITH SWING DOOR OR OPTIONAL SLIDING DOOR BY DIVISION
2. TUB ACCESS PANELS PROVIDED AS NEEDED, ALL MATERIALS BY DIVISION
3. REFER TO SHEET (IT-2) FOR TUB AND SHOWER DETAILS.
4. ALL V5DB24-42 DRAWERS TO BE SET ON RIGHT HAND.
5. BATH ELEVATIONS ARE SHOWN PER PLAN.

REV. NO.	DATE	REMARKS
1	08/07/16	N.L. - DRAWING ALIGNMENT
2	11/15/16	TRV. - STANDARD DETAILS 5.0

NVR, Inc., owner, expressly reserves its copyright in these plans. These plans are not to be reproduced, changed, copied, or otherwise used in any way without the written consent of NVR, Inc.

**NVR**  
NVR, Inc.  
Architectural Services  
100  
5285 Westpark Drive  
Frederick, MD 21703

MODEL	NORMANDY
DRAWING TITLE	BATH ELEVATIONS
OPTION DESCRIPTION	
SET NO. NRM00	VERSION 01
DRAWN BY	SGA
DATE	5/29/15
OPTION	
SHEET NO.	A-14
	48