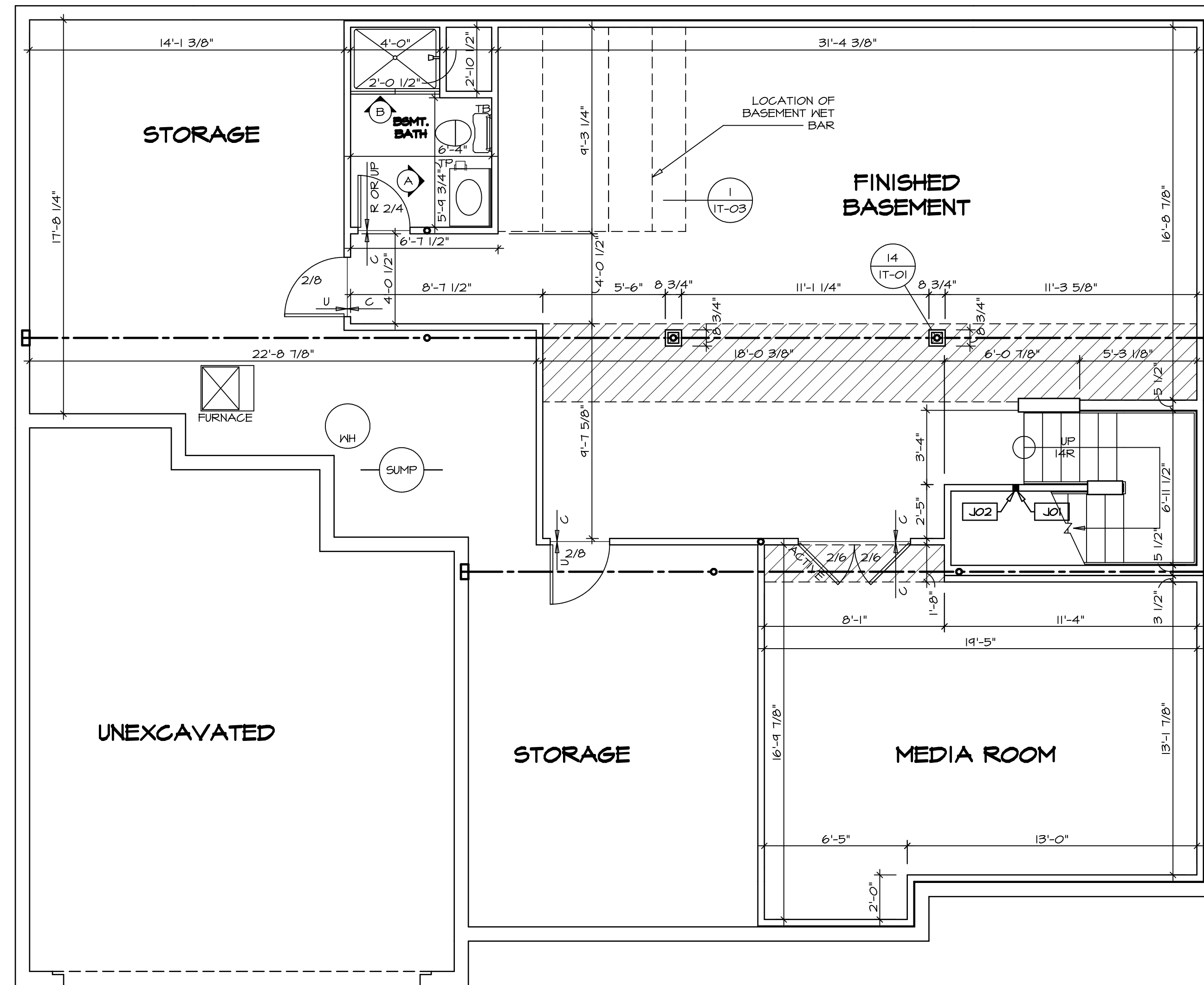


PLUMBING PLAN
SCALE: 1/4" = 1'-0"

SHEET NO. A-5	MODEL NORMANDY	SET NO. NRM00 VERSION 01	REV. NO. DATE	REMARKS
	DRAWING TITLE PLUMBING PLAN	DRAWN BY RJC DATE: 5/14/15 OPTION		
OPTION DESCRIPTION 31	NVR, Inc. Architectural Services Architects 21 Bay View, Suite A Frederick, MD 21702		NVR, Inc. owner, expressly reserves its copyright in these plans. These plans are not to be reproduced, changed, copied in any way, or used for any purpose not assigned to by NVR, Inc. without the written consent of NVR, Inc.	
C:\NVA\Solves\NORMANDY_NRM00_01\DCY-V6-K32A\009042\Sheets\Lot_Specific\31_A-5_PLUMB_L3.dwg 05/30/15 - 5:18 am				



LEGEND

- BEARING WALL
- NON BEARING WALL
- INDICATES BEARING FROM POINT-LOAD ABOVE
- JACKS
- BEAM/HEADER
- PAD FOOTING
- STEEL COLUMN
- PORTAL FRAME
- JOIST/TRUSS
- LVL
- ENGINEERING PAGE NUMBER

SEE FC DETAILS FOR FRAMING CONNECTORS

- FLOOR PLAN NOTES**
- ALL HEADERS ARE (2) 2x6 w/ 2x4 WALLS OR (3) 2x6 w/ 2x6 WALLS, UNLESS OTHERWISE NOTED.
 - ALL HEADERS TO HAVE (1) 2x4 OR 2x6 JACK EACH END, UNLESS OTHERWISE NOTED.
 - ALL EXTERIOR WALLS TO BE 4" AND ALL INTERIOR WALLS TO BE 3 1/2", UNLESS OTHERWISE NOTED.
 - HATCHED AREAS INDICATE DROPPED CEILINGS. ALL DROPPED CEILINGS ARE 12" UNLESS OTHERWISE NOTED.
 - SEE "BRACED WALL PANEL DETAIL SHEET" FOR SPECIAL WALL FRAMING LOCATIONS AND HEADER SIZES, IF APPLICABLE.
 - SEE STANDARD DETAIL CATEGORY "IT" SHEET(S) FOR INTERIOR TRIM DETAILS.
 - SEE ARCHITECTURAL DETAIL SHEET "AD" FOR HOUSE SPECIFIC INTERIOR TRIM OPTION TABLE.
 - ALL WINDOWS HAVE 7'-0 1/2" HEADER HEIGHT UNLESS OTHERWISE NOTED.

- GYPSUM NOTES**
- AT GARAGE:
GYPSUM BOARD AT COMMON WALLS, CEILINGS, BEAM WRAPS AND SUPPORTS PER STANDARD DETAIL FA-1(b) FIRE ASSEMBLIES OR AS REQUIRED BY LOCAL CODE.
- AT STAIRS:
1/2" GYPSUM BOARD AT UNDERSIDE OF STAIRS AND WALLS IN CLOSET

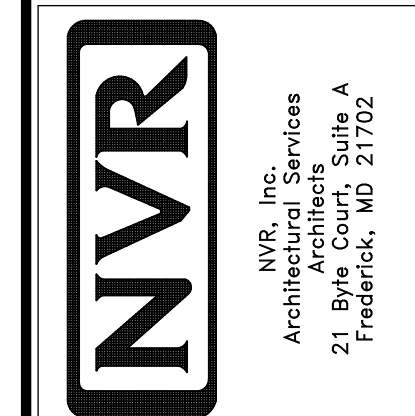
BASEMENT JACK SCHEDULE

IDENTIFIER	DESCRIPTION	OPTIONS	ENG. NUM.	REMARKS
J01	JACK - 2x4 SPF STUD GRADE		B10	
J02	JACK - 2x4 SPF STUD GRADE		B22	

REMARKS

REV. NO.	DATE	DESCRIPTION
1	08/07/16	NL - DRAWING ALIGNMENT
2	11/05/16	TH - STANDARD DETAILS 3.0
3	4/20/17	SFK - ADDED BASEMENT FLOOR PLAN JACK SCHEDULE

NVR, Inc., owner, expressly reserves its copyright in these plans. These plans are not to be reproduced, changed, copied, or otherwise used in any way without the written consent of NVR, Inc.

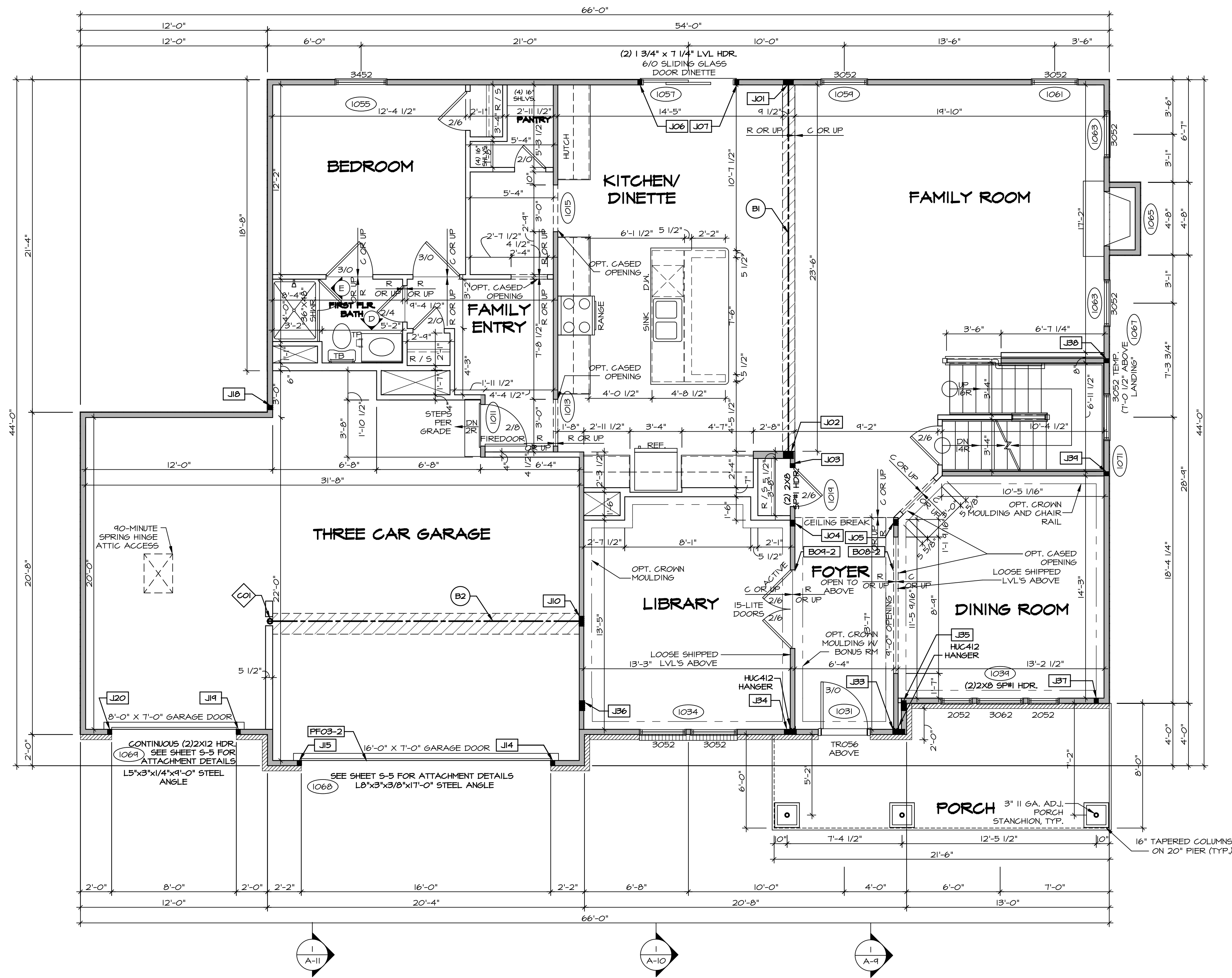


SET NO. NRM00
VERSION 01
DRAWN BY SGA
DATE: 6/29/15
OPTION

MODEL: NORMANDY
DRAWING TITLE: BASEMENT FLOOR PLAN
OPTION DESCRIPTION

SHEET NO. A-6
34

BASEMENT FLOOR PLAN
SCALE: 1/4" = 1'-0"



FIRST FLOOR PLAN
SCALE: 1/4" = 1'-0"

LVL PLY TO PLY FASTENING SCHEDULE: (WHERE APPLICABLE BASED ON LVL USAGE)

1A - (2) PLY UP TO AND INCLUDING 11 7/8" TALL; FASTEN PLYS W/ (2) ROWS 16D NAILS AT 12" O.C.
 2A - (2) PLY 14" TO AND 18" TALL (INCLUSIVE); FASTEN PLYS W/ (3) ROWS 16D NAILS AT 12" O.C.
 3A - (2) PLY 20" TALL AND OVER; FASTEN PLYS W/ (4) ROWS 16D NAILS AT 12" O.C.
 4A - (3) PLY UP TO AND INCLUDING 11 7/8" TALL; FASTEN PLYS W/ (2) ROWS 16D NAILS AT 12" O.C. FROM EACH SIDE
 5A - (3) PLY 14" TO AND 18" TALL (INCLUSIVE); FASTEN PLYS W/ (3) ROWS 16D NAILS AT 12" O.C. FROM EACH SIDE
 6A - (3) PLY 20" TALL AND OVER; FASTEN PLYS W/ (4) ROWS 16D NAILS AT 12" O.C. FROM EACH SIDE
 7A - (4) PLY (ALL SIZES); FASTEN PLYS W/ (2) ROWS 1/2" DIAMETER A307 BOLTS AT 24" O.C. SEE SHOP DRAWING FOR ADDITIONAL INFORMATION.

FIELD INSTALLED FIRST FLOOR BEAM/HEADER SCHEDULE

IDENTIFIER	DESCRIPTION	LENGTH	OPTIONS	ENG. NUM.	REMARKS
B08-2	LVL - 11-14	13'-5 9/16"	ELL	1017	1A (FIELD INSTALLED)
B09-2	LVL - 11-14	13'-5"	ELL	1017	1A (FIELD INSTALLED)
B1	BEAM STEEL - W12X35	24'-2"		1021	
B2	BEAM STEEL - W12X26	20'-2 1/2"		1023	
PF03-2	LVL - 11-04	20'-0"	GCF	1043	PORTAL FRAME, 1A

STEEL COLUMN SCHEDULE

IDENTIFIER	STYLE	HEIGHT	OPTIONS	ENG. NUM.	REMARKS
CO1	STANCHION - 4 IN DIA 116A ADJ	9'-0 1/8"	GCF, FBA	1023	

FIRST FLOOR JACK SCHEDULE

IDENTIFIER	DESCRIPTION	OPTIONS	ENG. NUM.	REMARKS
JO1	JACK - (5) 2X4 SP#1		1021	
JO2	JACK - (5) 2X6 SP#1		1021	
JO3	JACK - (2) 2X4 SPF STUD GRADE		1019	
JO4	JACK - (3) 2X4 SPF STUD GRADE		1017	
JO5	JACK - (3) 2X4 SPF STUD GRADE		1017	
JO6	JACK - (2) 2X4 SPF STUD GRADE		1057	
JO7	JACK - (2) 2X4 SPF STUD GRADE		1057	
JO8	JACK - (5) 2X4 SP#1		1023	
JO9	JACK - (2) 2X4 SPF STUD GRADE	GCB, GCF	1043	
JO10	JACK - (2) 2X4 SPF STUD GRADE	GCB, GCF	1043	
JO11	JACK - (2) 2X4 SPF STUD GRADE	GCF	1009	
JO12	JACK - (2) 2X4 SPF STUD GRADE	GCF	1043	
JO13	JACK - (2) 2X4 SPF STUD GRADE	GCF	1043	
JO14	JACK - (2) 2X4 SPF STUD GRADE	GCF	1043	
JO15	JACK - (2) 2X4 SPF STUD GRADE	GCF	1043	
JO16	JACK - (2) 2X4 SPF STUD GRADE	GCF	1043	
JO17	JACK - (2) 2X4 SPF STUD GRADE	GCF	1043	
JO18	JACK - (2) 2X4 SPF STUD GRADE	GCF	1043	
JO19	JACK - (2) 2X4 SPF STUD GRADE	GCF	1043	
JO20	JACK - (2) 2X4 SPF STUD GRADE	GCF	1043	
JO21	JACK - (2) 2X4 SPF STUD GRADE	GCF	1043	
JO22	JACK - (2) 2X4 SPF STUD GRADE	GCF	1043	
JO23	JACK - (2) 2X4 SPF STUD GRADE	GCF	1043	
JO24	JACK - (2) 2X4 SPF STUD GRADE	GCF	1043	
JO25	JACK - (2) 2X4 SPF STUD GRADE	GCF	1043	
JO26	JACK - (2) 2X4 SPF STUD GRADE	GCF	1043	
JO27	JACK - (2) 2X4 SPF STUD GRADE	GCF	1043	
JO28	JACK - (2) 2X4 SPF STUD GRADE	GCF	1043	
JO29	JACK - (2) 2X4 SPF STUD GRADE	GCF	1043	
JO30	JACK - (2) 2X4 SPF STUD GRADE	GCF	1043	
JO31	JACK - (2) 2X4 SPF STUD GRADE	GCF	1043	
JO32	JACK - (2) 2X4 SPF STUD GRADE	GCF	1043	
JO33	JACK - (2) 2X4 SPF STUD GRADE	GCF	1043	
JO34	JACK - (2) 2X4 SPF STUD GRADE	GCF	1043	
JO35	JACK - (2) 2X4 SPF STUD GRADE	GCF	1043	
JO36	JACK - (2) 2X4 SPF STUD GRADE	GCF	1043	
JO37	JACK - (2) 2X4 SPF STUD GRADE	GCF	1043	
JO38	JACK - (2) 2X4 SPF STUD GRADE	GCF	1043	
JO39	JACK - (2) 2X4 SPF STUD GRADE	GCF	1043	
JO40	JACK - (2) 2X4 SPF STUD GRADE	GCF	1043	
JO41	JACK - (2) 2X4 SPF STUD GRADE	GCF	1043	
JO42	JACK - (2) 2X4 SPF STUD GRADE	GCF	1043	
JO43	JACK - (2) 2X4 SPF STUD GRADE	GCF	1043	
JO44	JACK - (2) 2X4 SPF STUD GRADE	GCF	1043	
JO45	JACK - (2) 2X4 SPF STUD GRADE	GCF	1043	
JO46	JACK - (2) 2X4 SPF STUD GRADE	GCF	1043	
JO47	JACK - (2) 2X4 SPF STUD GRADE	GCF	1043	
JO48	JACK - (2) 2X4 SPF STUD GRADE	GCF	1043	
JO49	JACK - (2) 2X4 SPF STUD GRADE	GCF	1043	
JO50	JACK - (2) 2X4 SPF STUD GRADE	GCF	1043	
JO51	JACK - (2) 2X4 SPF STUD GRADE	GCF	1043	
JO52	JACK - (2) 2X4 SPF STUD GRADE	GCF	1043	
JO53	JACK - (2) 2X4 SPF STUD GRADE	GCF	1043	
JO54	JACK - (2) 2X4 SPF STUD GRADE	GCF	1043	
JO55	JACK - (2) 2X4 SPF STUD GRADE	GCF	1043	
JO56	JACK - (2) 2X4 SPF STUD GRADE	GCF	1043	
JO57	JACK - (2) 2X4 SPF STUD GRADE	GCF	1043	
JO58	JACK - (2) 2X4 SPF STUD GRADE	GCF	1043	
JO59	JACK - (2) 2X4 SPF STUD GRADE	GCF	1043	
JO60	JACK - (2) 2X4 SPF STUD GRADE	GCF	1043	
JO61	JACK - (2) 2X4 SPF STUD GRADE	GCF	1043	
JO62	JACK - (2) 2X4 SPF STUD GRADE	GCF	1043	
JO63	JACK - (2) 2X4 SPF STUD GRADE	GCF	1043	
JO64	JACK - (2) 2X4 SPF STUD GRADE	GCF	1043	
JO65	JACK - (2) 2X4 SPF STUD GRADE	GCF	1043	
JO66	JACK - (2) 2X4 SPF STUD GRADE	GCF	1043	
JO67	JACK - (2) 2X4 SPF STUD GRADE	GCF	1043	
JO68	JACK - (2) 2X4 SPF STUD GRADE	GCF	1043	
JO69	JACK - (2) 2X4 SPF STUD GRADE	GCF	1043	
JO70	JACK - (2) 2X4 SPF STUD GRADE	GCF	1043	
JO71	JACK - (2) 2X4 SPF STUD GRADE	GCF	1043	
JO72	JACK - (2) 2X4 SPF STUD GRADE	GCF	1043	
JO73	JACK - (2) 2X4 SPF STUD GRADE	GCF	1043	
JO74	JACK - (2) 2X4 SPF STUD GRADE	GCF	1043	
JO75	JACK - (2) 2X4 SPF STUD GRADE	GCF	1043	
JO76	JACK - (2) 2X4 SPF STUD GRADE	GCF	1043	
JO77	JACK - (2) 2X4 SPF STUD GRADE	GCF	1043	
JO78	JACK - (2) 2X4 SPF STUD GRADE	GCF	1043	
JO79	JACK - (2) 2X4 SPF STUD GRADE	GCF	1043	
JO80	JACK - (2) 2X4 SPF STUD GRADE	GCF	1043	
JO81	JACK - (2) 2X4 SPF STUD GRADE	GCF	1043	
JO82	JACK - (2) 2X4 SPF STUD GRADE	GCF	1043	
JO83	JACK - (2) 2X4 SPF STUD GRADE	GCF	1043	
JO84	JACK - (2) 2X4 SPF STUD GRADE	GCF	1043	
JO85	JACK - (2) 2X4 SPF STUD GRADE	GCF	1043	
JO86	JACK - (2) 2X4 SPF STUD GRADE	GCF	1043	
JO87	JACK - (2) 2X4 SPF STUD GRADE	GCF	1043	
JO88	JACK - (2) 2X4 SPF STUD GRADE	GCF	1043	
JO89	JACK - (2) 2X4 SPF STUD GRADE	GCF	1043	
JO90	JACK - (2) 2X4 SPF STUD GRADE	GCF	1043	
JO91	JACK - (2) 2X4 SPF STUD GRADE	GCF	1043	
JO92	JACK - (2) 2X4 SPF STUD GRADE	GCF	1043	
JO93	JACK - (2) 2X4 SPF STUD GRADE	GCF	1043	
JO94	JACK - (2) 2X4 SPF STUD GRADE	GCF	1043	
JO95	JACK - (2) 2X4 SPF STUD GRADE	GCF	1043	
JO96	JACK - (2) 2X4 SPF STUD GRADE	GCF	1043	
JO97	JACK - (2) 2X4 SPF STUD GRADE	GCF	1043	
JO98	JACK - (2) 2X4 SPF STUD GRADE	GCF	1043	
JO99	JACK - (2) 2X4 SPF STUD GRADE	GCF	1043	
JO100	JACK - (2) 2X4 SPF STUD GRADE	GCF	1043	

FLOOR PLAN NOTES RYAN

- ALL HEADERS ARE (2) 2x6 W/ 2x4 WALLS OR (3) 2x6 W/ 2x6 WALLS, UNLESS OTHERWISE NOTED.
- ALL HEADERS TO HAVE (1) 2x4 OR 2x6 JACK AND KING STUD EACH END, UNLESS OTHERWISE NOTED.
- ALL EXTERIOR WALLS TO BE 4" W/ OSB OR 3 1/2" W/ T-PLY. ALL INTERIOR WALLS TO BE 3 1/2", UNLESS OTHERWISE NOTED.
- HATCHED AREAS INDICATE DROPPED CEILING. ALL DROPPED CEILING ARE 12' UNLESS OTHERWISE NOTED.
- SEE "BRACED WALL PANEL DETAIL SHEET" FOR SPECIAL WALL FRAMING LOCATIONS AND HEADER SIZES, IF APPLICABLE.
- SEE STANDARD DETAIL CATEGORY "IT" SHEET(S) FOR INTERIOR TRIM DETAILS.
- SEE ARCHITECTURAL DETAIL SHEET "AD" FOR HOUSE SPECIFIC INTERIOR TRIM OPTION TABLE.
- ALL WINDOWS HAVE 7'-0 1/2" HEADER HEIGHT UNLESS OTHERWISE NOTED.
- ALL HEADERS IN NON-BEARING WALLS SHALL BE A SINGLE FLAT 2X4 OR 2X6 ATTACHED TO CRIPPLES ABOVE, UNLESS OTHERWISE NOTED.

GYPSUM NOTES RYAN

AT GARAGE:
GYPSUM BOARD AT COMMON WALLS, CEILING, BEAM WRAPS AND SUPPORTS PER STANDARD DETAIL FA-100 FIRE ASSEMBLIES OR AS REQUIRED BY LOCAL CODE.

AT STAIRS:
1/2" GYPSUM BOARD AT UNDERSIDE OF STAIRS AND WALLS IN CLOSET

LEGEND

- BEARING WALL
- NON BEARING WALL
- INDICATES BEARING FROM POINT-LOAD ABOVE
- JACKS
- BEAM/HEADER
- PAD FOOTING
- STEEL COLUMN
- PORTAL FRAME
- JOIST/TRUSS
- LVL
- ENGINEERING PAGE NUMBER
- SEE FC DETAILS FOR FRAMING CONNECTORS

REVISIONS

REV. NO.	DATE	DESCRIPTION
1	08/01/16	N.L. - DRAWING ALIGNMENT
2	10/05/16	TH - STANDARD DETAILS 3.0
3	07/17/17	SL5 - T-PLY CONVERSION PROJECT

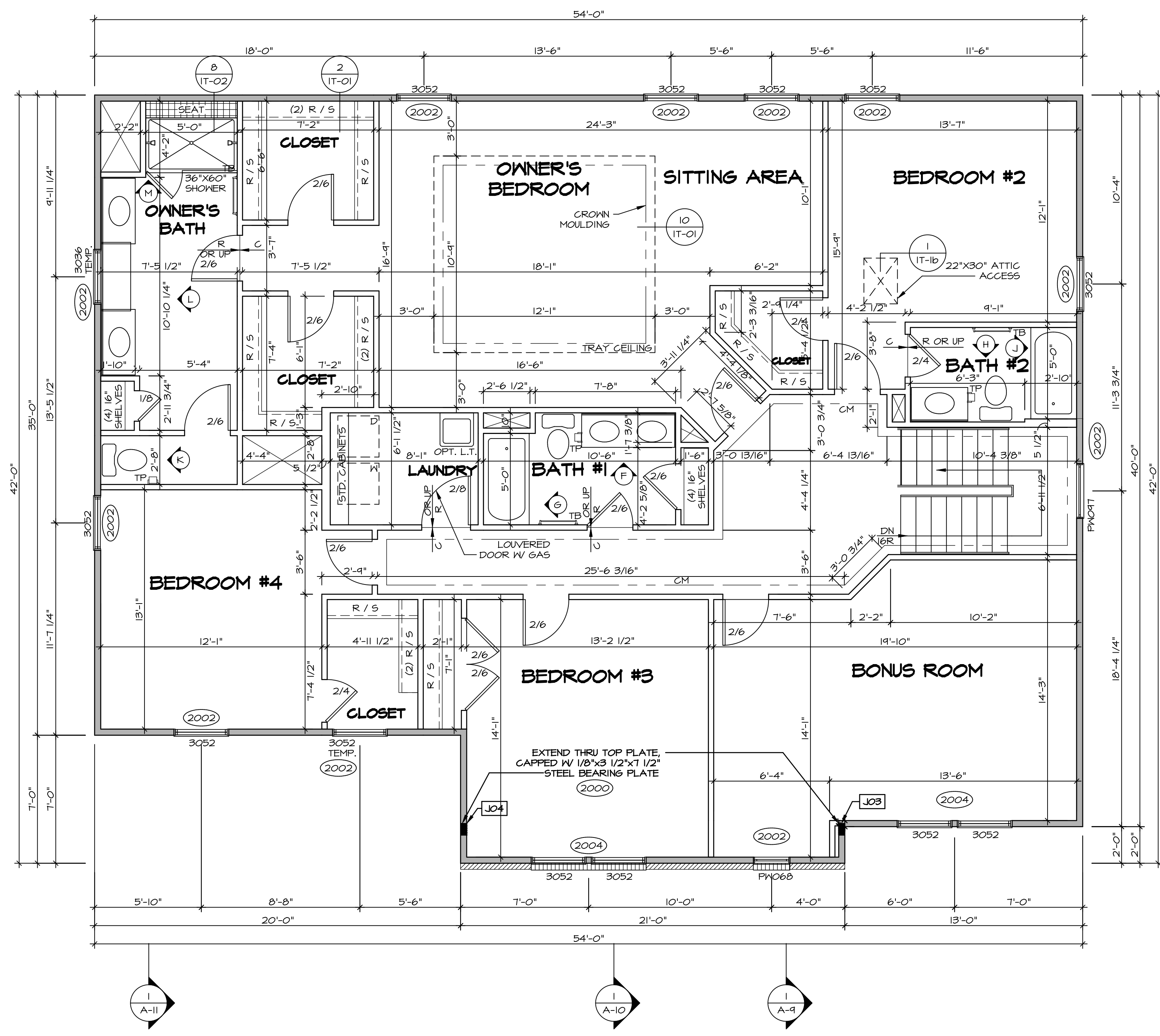
MODEL
NORMANDY ARCHITECTS
21 BAYVIEW RD
FREDERICK, MD 21702

SET NO. NRM00
VERSION 01
DRAWN BY SGA
DATE: 6/29/15
OPTION

SHEET NO. A-7

35

C:\NVR\Solves\NORMANDY_ARCH\001\DC1\16-VG-K228\00002\Sheets\Lot_Spec\16_VG-K228_00002_A-7_PLOT_15.dwg 05/30/18 - 5:18 am



SECOND FLOOR PLAN
SCALE: 1/4" = 1'-0"

LEGEND

- BEARING WALL
- NON BEARING WALL
- INDICATES BEARING FROM POINT-LOAD ABOVE
- JACKS
- BEAM/HEADER
- PAD FOOTING
- STEEL COLUMN
- PORTAL FRAME
- JOIST/TRUSS
- LVL
- ENGINEERING PAGE NUMBER

SEE FC DETAILS FOR FRAMING CONNECTORS

- FLOOR PLAN NOTES** RYAN
1. ALL HEADERS ARE (2) 2x6 w/ 2x4 WALLS OR (3) 2x6 w/ 2x6 WALLS, UNLESS OTHERWISE NOTED.
 2. ALL HEADERS TO HAVE (1) 2x4 OR 2x6 JACK AND KING STUD EACH END, UNLESS OTHERWISE NOTED.
 3. ALL EXTERIOR WALLS TO BE 4" w/ OSB OR 3 1/2" w/ T-PLY, ALL INTERIOR WALLS TO BE 3 1/2", UNLESS OTHERWISE NOTED.
 4. HATCHED AREAS INDICATE DROPPED CEILINGS, ALL DROPPED CEILINGS ARE 12" UNLESS OTHERWISE NOTED.
 5. SEE "BRACED WALL PANEL DETAIL SHEET" FOR SPECIAL WALL FRAMING LOCATIONS AND HEADER SIZES, IF APPLICABLE.
 6. SEE STANDARD DETAIL CATEGORY "IT" SHEET(S) FOR INTERIOR TRIM DETAILS.
 7. SEE ARCHITECTURAL DETAIL SHEET "AD" FOR HOUSE SPECIFIC INTERIOR TRIM OPTION TABLE.
 8. ALL WINDOWS HAVE 7'-0" 1/2" HEADER HEIGHT UNLESS OTHERWISE NOTED.
 9. ALL HEADERS IN NON-BEARING WALLS SHALL BE A SINGLE FLAT 2x4 OR 2x6 ATTACHED TO CRIPPLES ABOVE, UNLESS OTHERWISE NOTED.

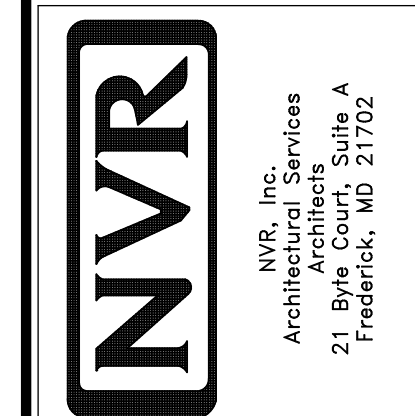
SECOND FLOOR JACK SCHEDULE

IDENTIFIER	DESCRIPTION	OPTIONS	ENG. NUM.	REMARKS
JO3	JACK - (5) 2X4 SPM	ELL	2000	
JO4	JACK - (5) 2X4 SPM	ELL	2000	

REMARKS

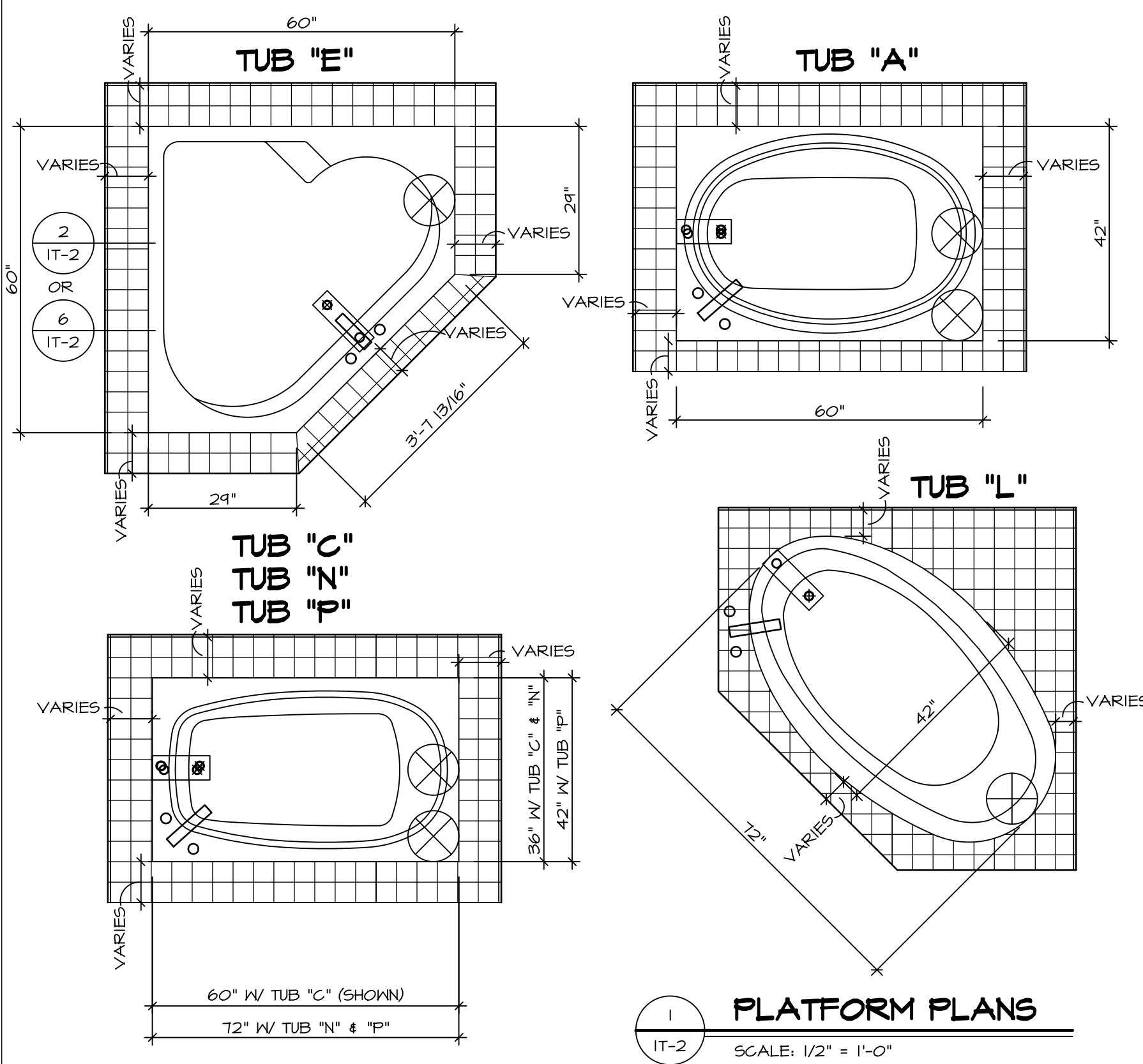
REV. NO.	DATE	DESCRIPTION
1	08/07/16	NL - DRAWING ALIGNMENT
2	11/05/16	TH - STANDARD DETAILS 3.0
3	07/17/17	SLS - T-PLY CONVERSION PROJECT

NVR, Inc., owner, expressly reserves its copyright in the common law plans. These plans are not to be reproduced, changed, copied, or otherwise used without the written consent of NVR, Inc.



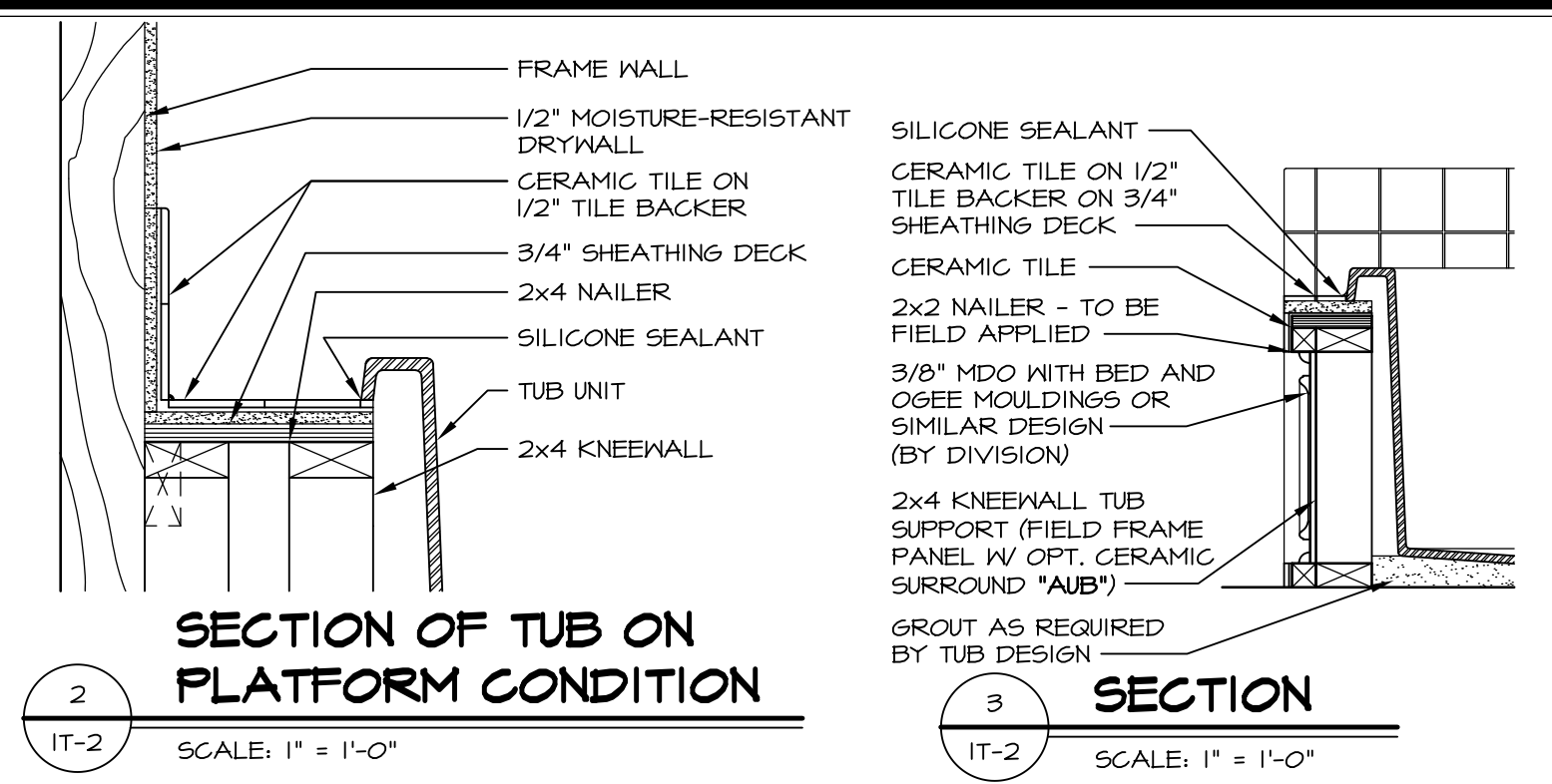
SET NO. NRM00
VERSION 01
DRAWN BY SGA
DATE: 6/29/15
OPTION

MODEL: NORMANDY
DRAWING TITLE: SECOND FLOOR PLAN
OPTION DESCRIPTION

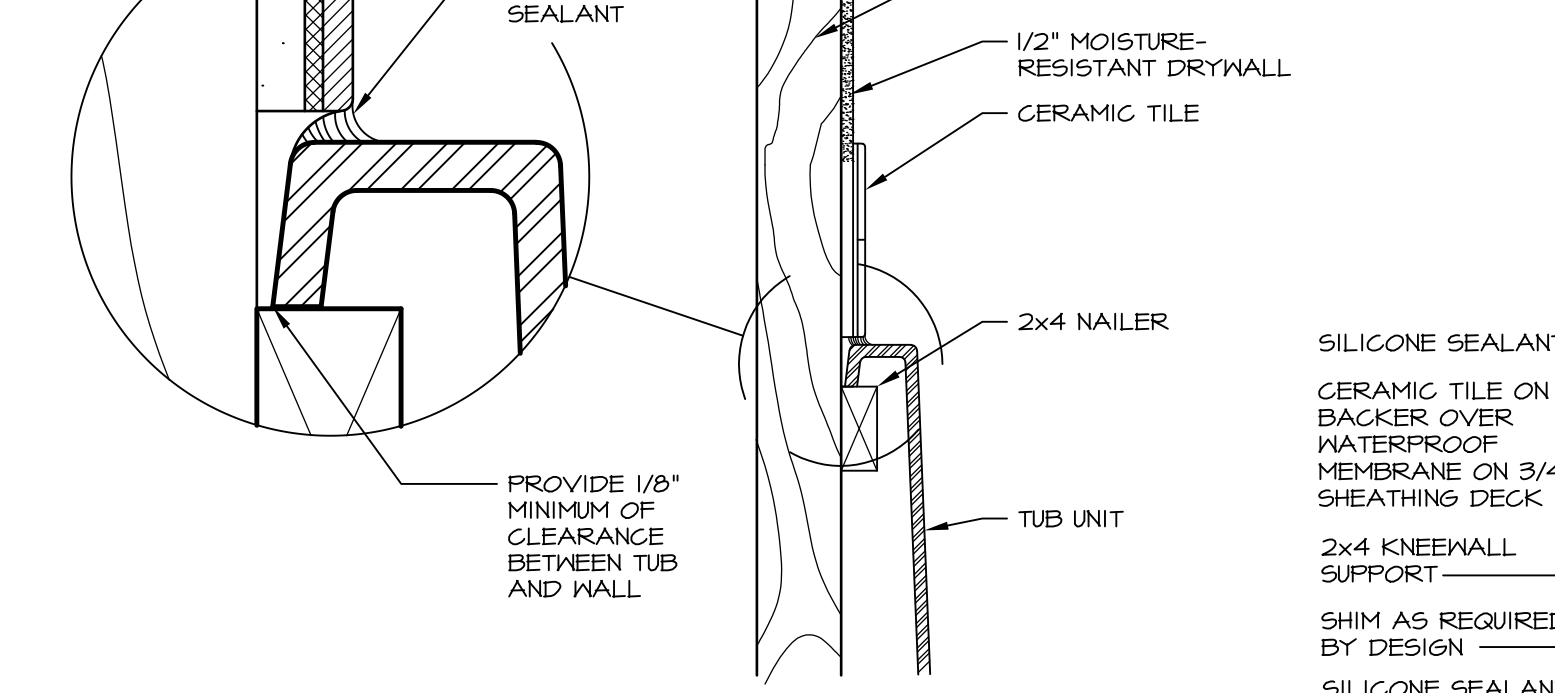


1 PLATFORM PLANS
SCALE: 1/2" = 1'-0"

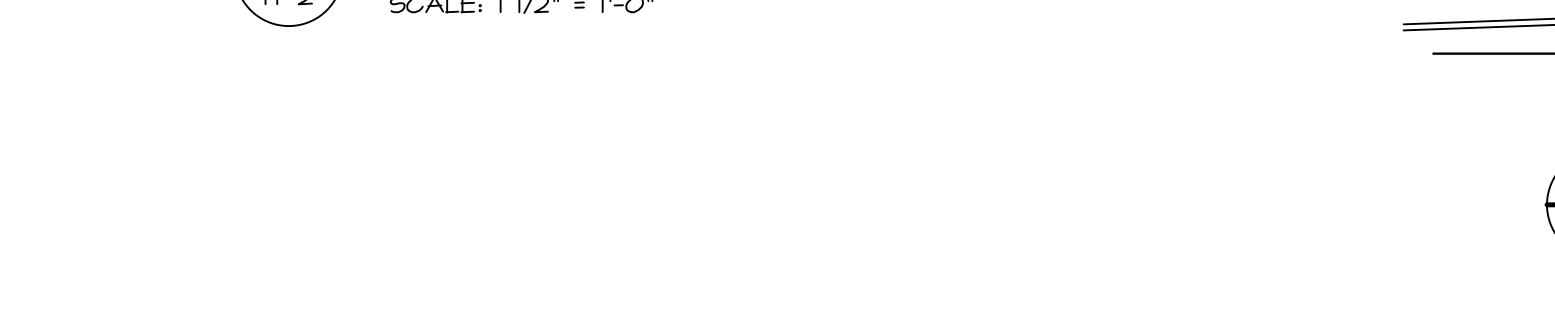
TUB	MANUF.	HEIGHT	WIDTH	LENGTH	TUB DECK PANEL HEIGHT
"A"	KOHLER/STERLING	18 3/4"	42"	60"	17 1/8"
"C"	KOHLER/STERLING	18 3/4"	36"	60"	17 1/8"
"E"	KOHLER/STERLING	19 1/2"	60"	60"	17 7/8"
"L"	KOHLER/STERLING	18 1/2"	42"	72"	16 7/8"
"N"	KOHLER/STERLING	18 3/4"	36"	72"	17 1/8"
"P"	KOHLER/STERLING	18 3/4"	42"	72"	17 1/8"



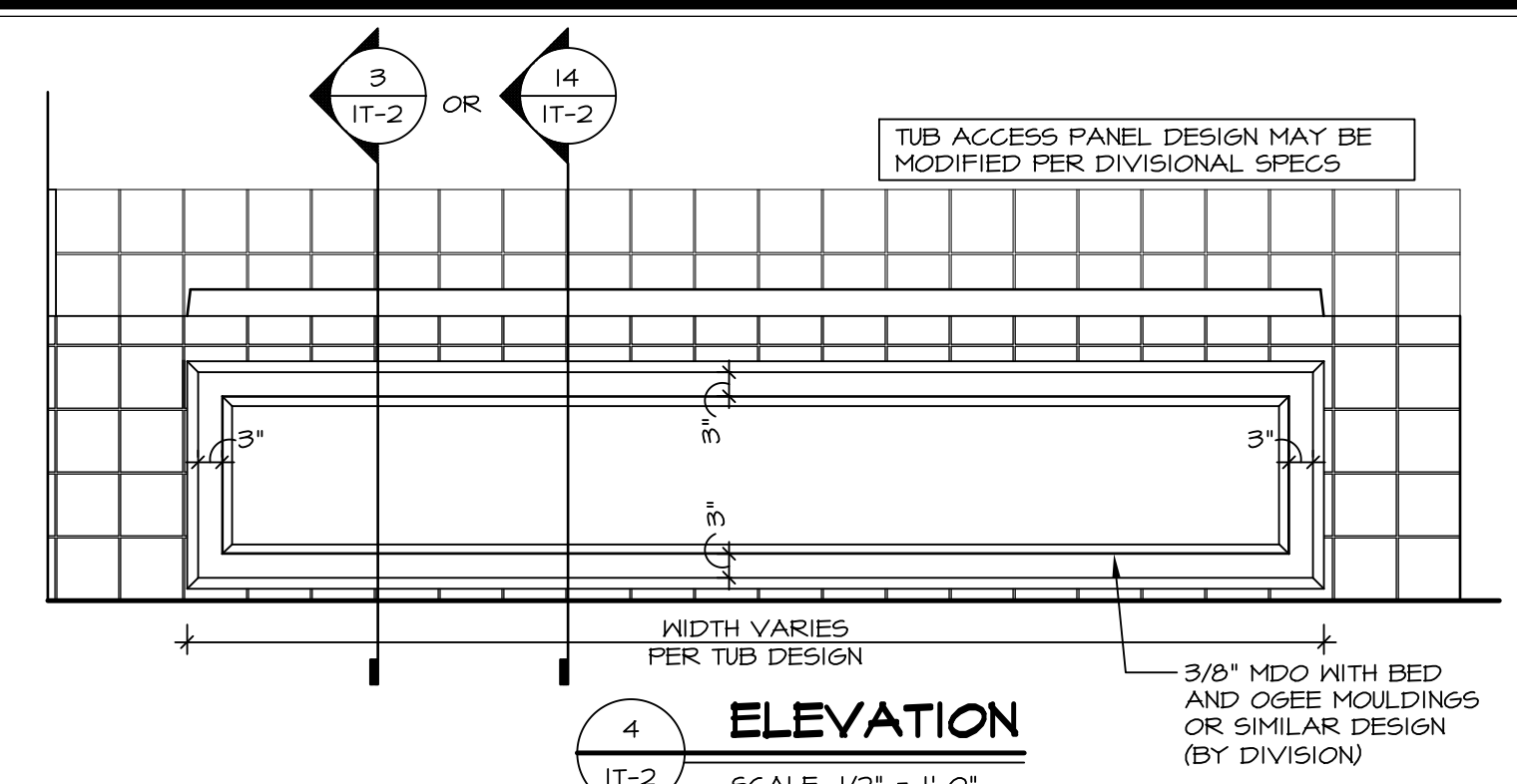
2 SECTION OF TUB ON PLATFORM CONDITION
SCALE: 1" = 1'-0"



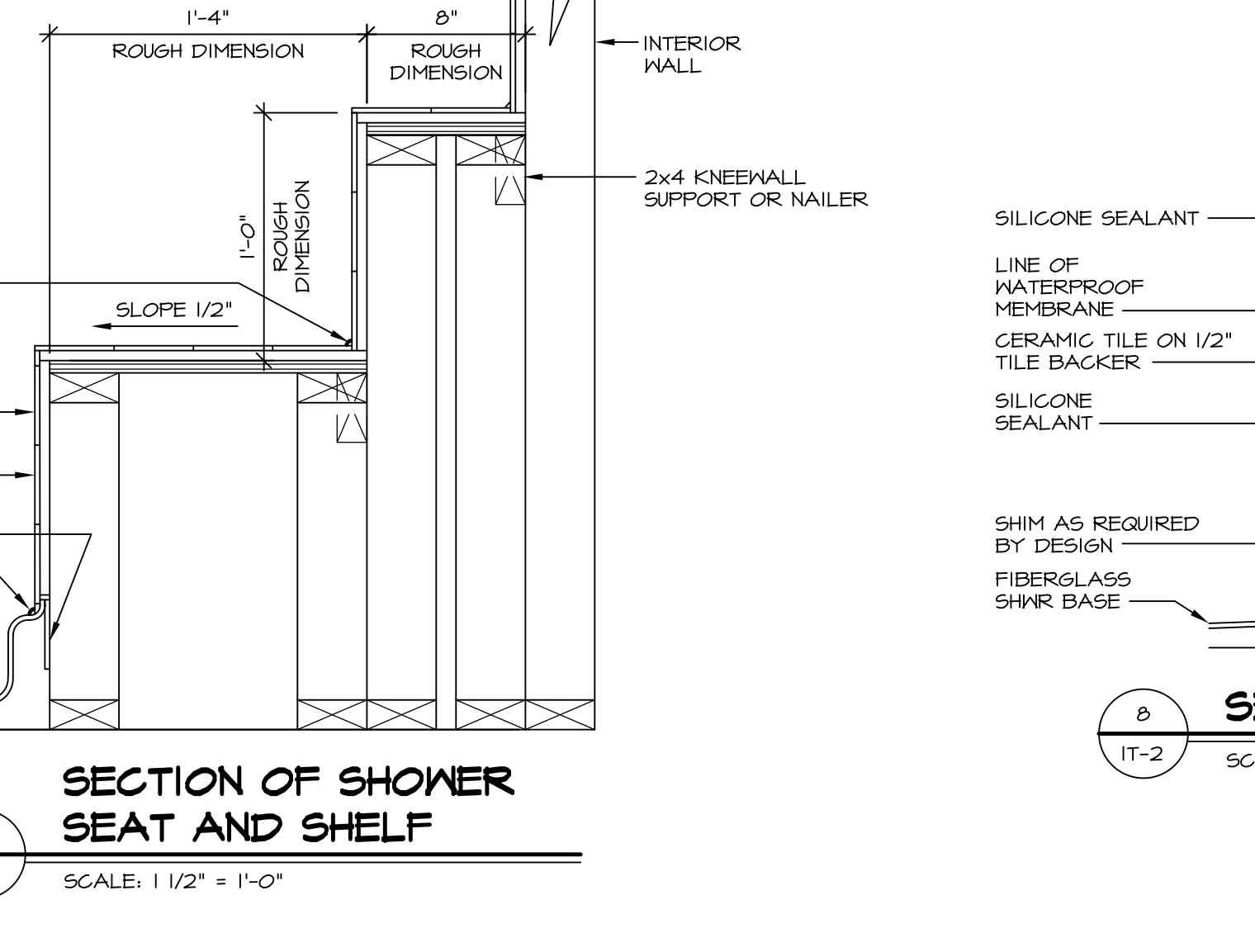
3 SECTION
SCALE: 1" = 1'-0"



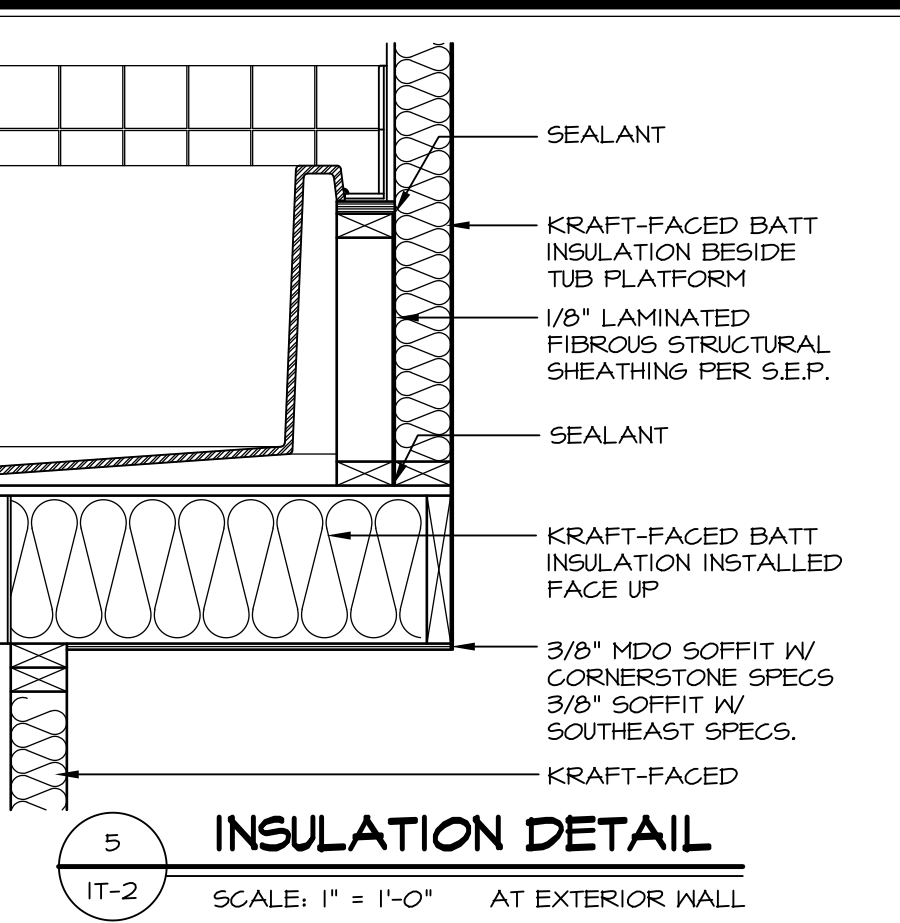
6 SECTION OF TUB TO WALL CONDITION
SCALE: 1 1/2" = 1'-0"



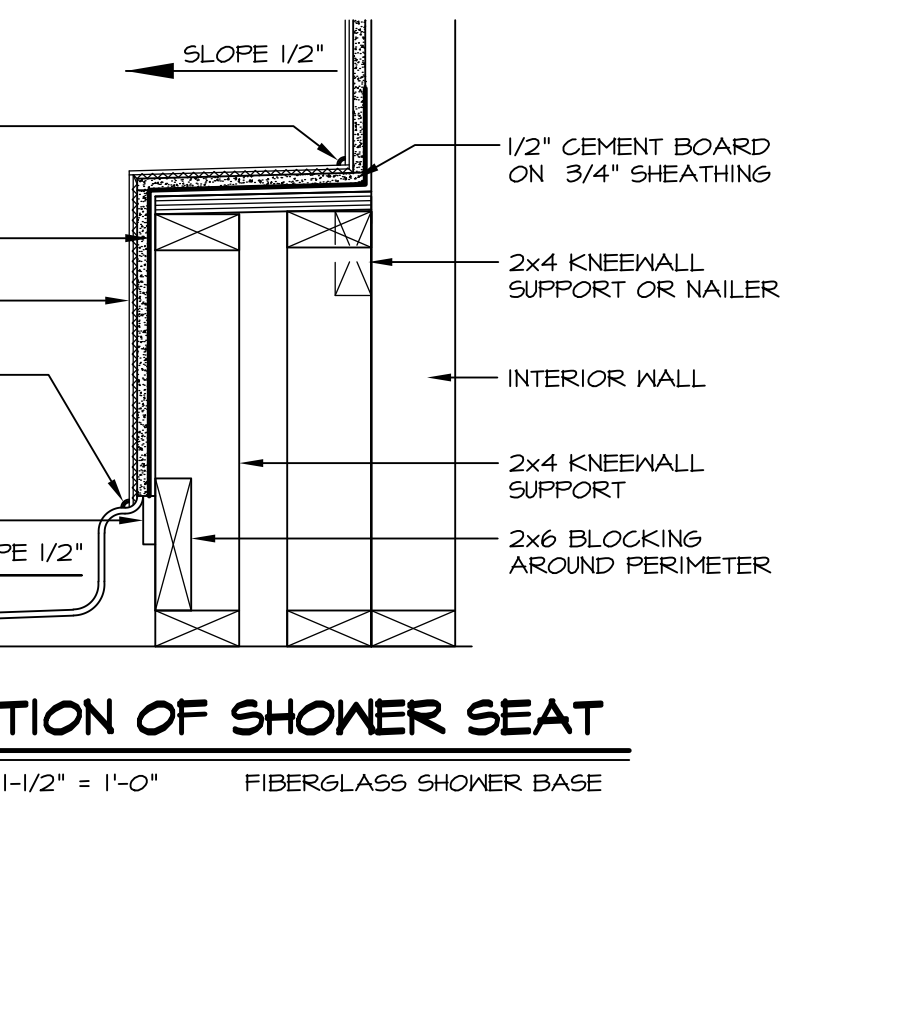
4 ELEVATION
SCALE: 1/2" = 1'-0"



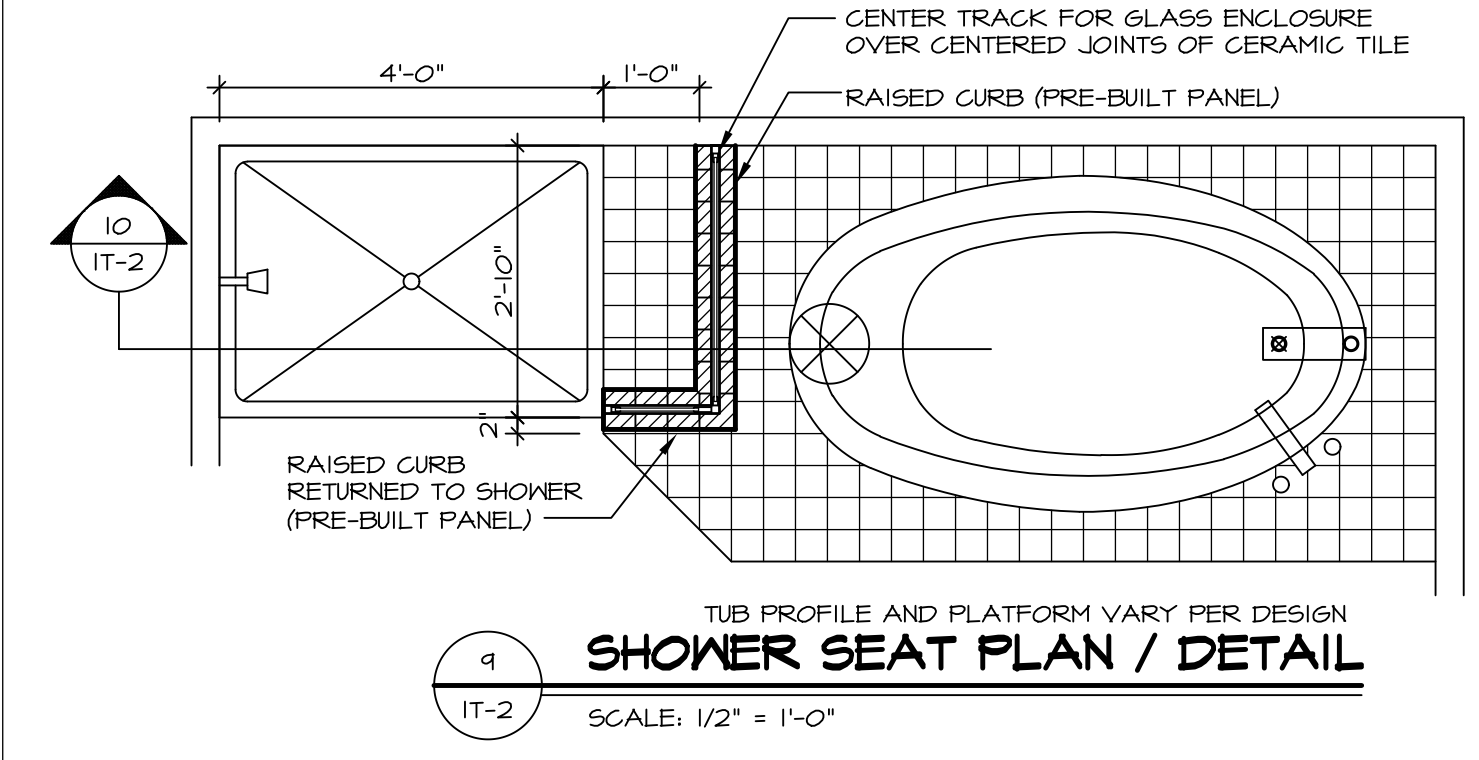
7 SECTION OF SHOWER SEAT AND SHELF
SCALE: 1 1/2" = 1'-0"



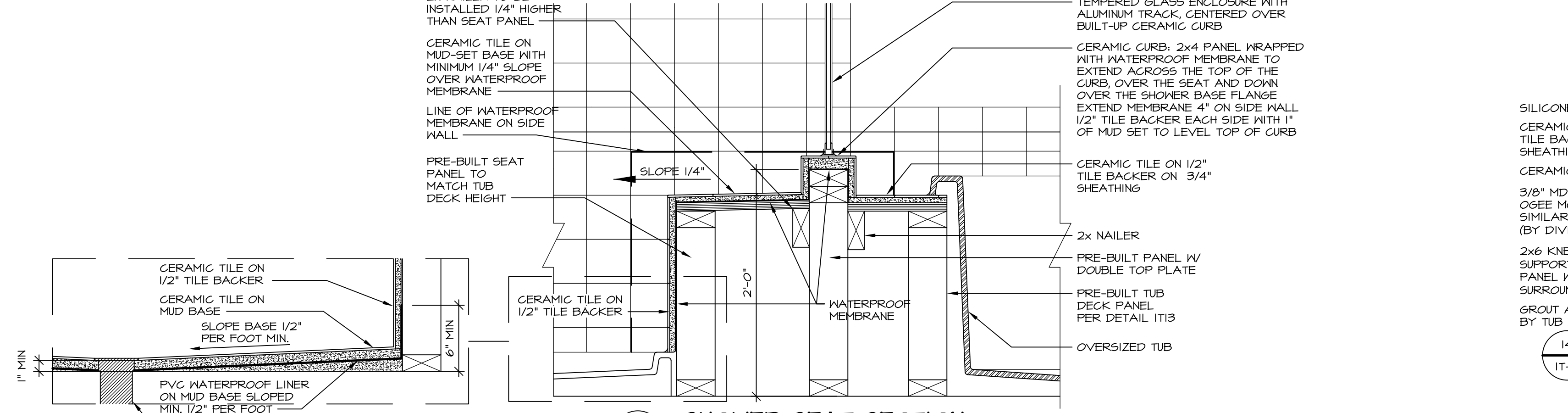
5 INSULATION DETAIL
SCALE: 1" = 1'-0" AT EXTERIOR WALL



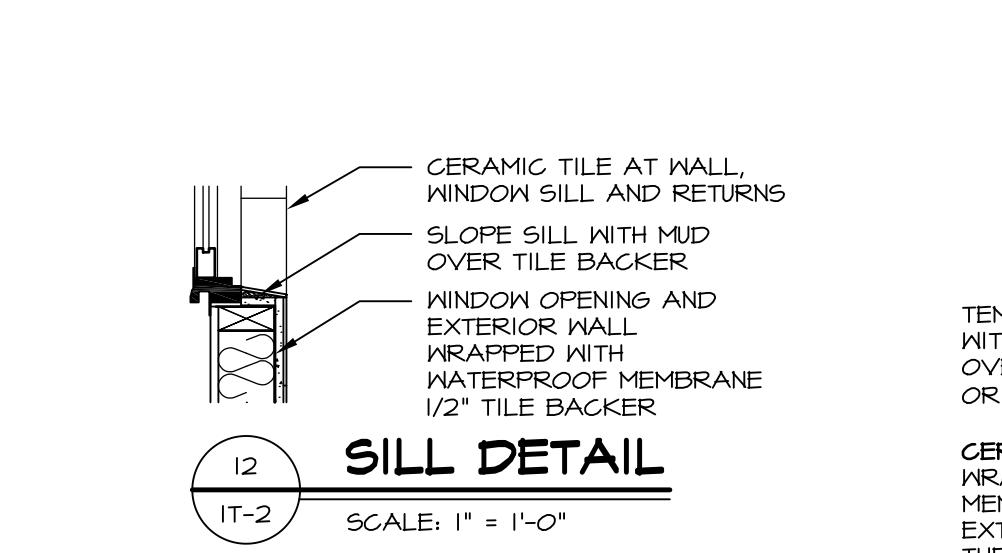
8 SECTION OF SHOWER SEAT
SCALE: 1-1/2" = 1'-0" FIBERGLASS SHOWER BASE



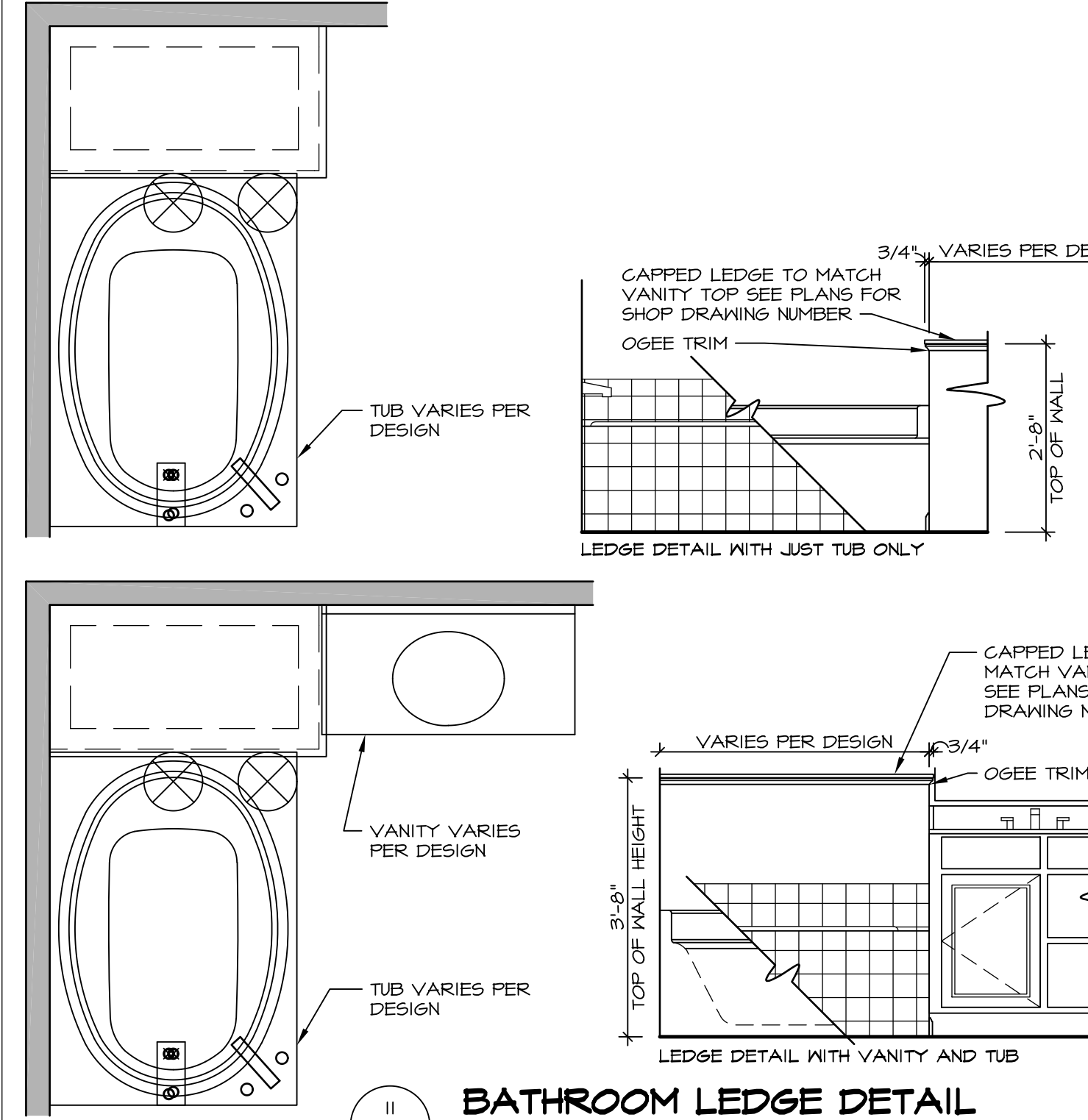
9 SHOWER SEAT PLAN / DETAIL
SCALE: 1/2" = 1'-0"



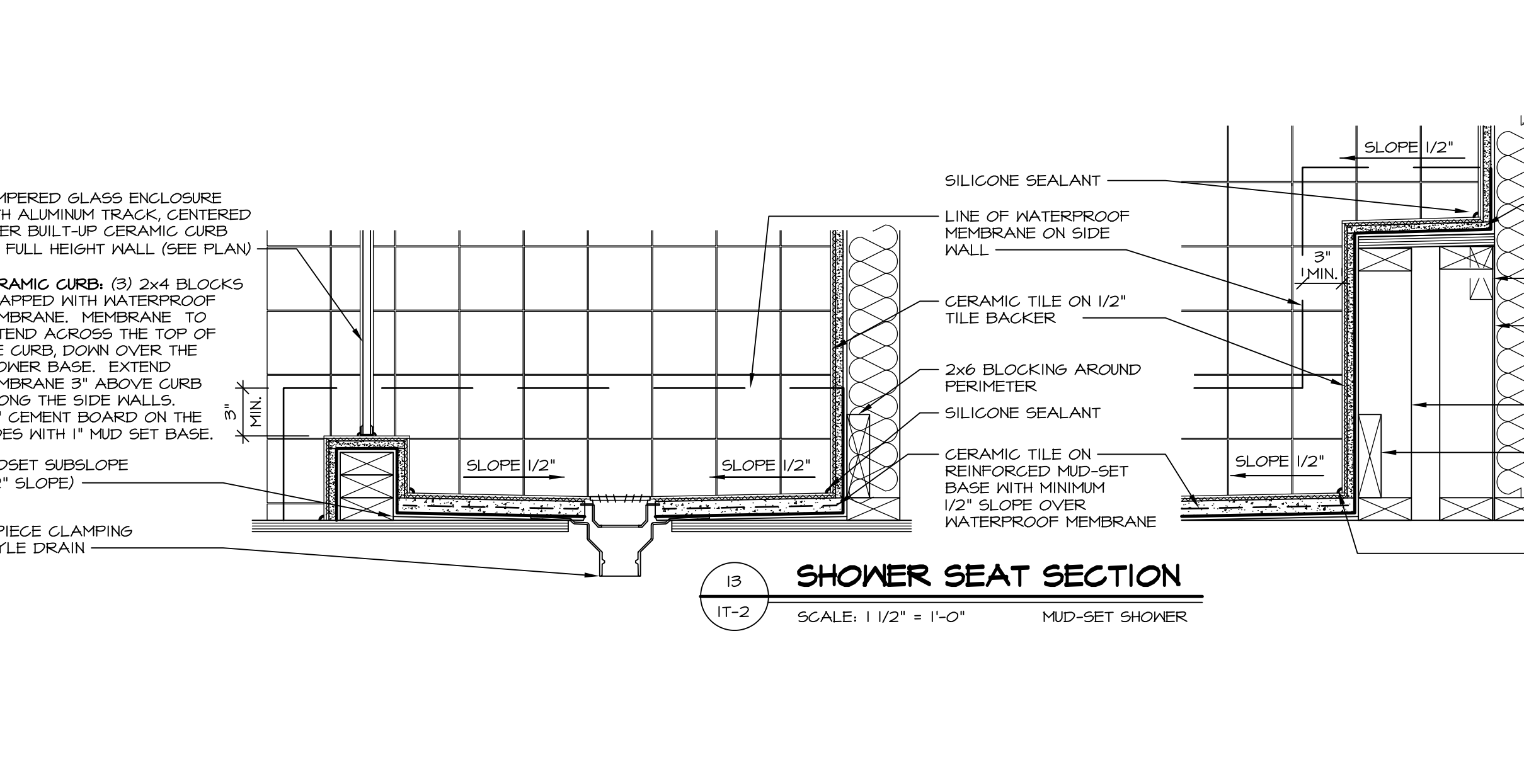
10 SHOWER SEAT SECTION
SCALE: 1-1/2" = 1'-0"



12 SILL DETAIL
SCALE: 1" = 1'-0"



11 BATHROOM LEDGE DETAIL
SCALE: 1/2" = 1'-0"

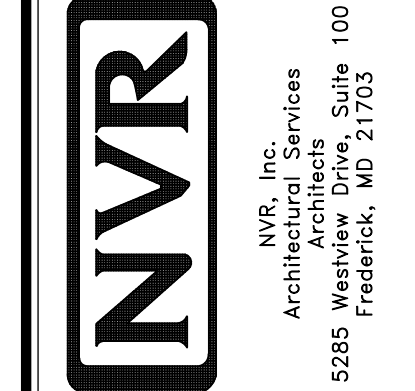


13 SHOWER SEAT SECTION
SCALE: 1 1/2" = 1'-0" MUD-SET SHOWER

REVISIONS

REV. NO.	DATE	DESCRIPTION
1	5/1/17	EBP - REVISED DETAIL 1 AND 11 TO REMOVE TUB ACCESS PANEL REF. (DSS #15 5414)
2	9/2/17	EBP - REVISED T-FLY NOTE TO CALL OUT LFS
3	9/2/17	EBP - REVISED NOTE ON DETAIL #1 - REVISED ORDER OF MATERIAL PARA#4934

NVR, Inc., owner, expressly reserves its common law copyright and other property rights in these plans. These plans are not to be reproduced, stored in a retrieval system, or transmitted in any form or by any means, electronic, mechanical, photocopying, recording, or by any information storage and retrieval system, without the prior written consent of NVR, Inc.



SET NO. NVR

VERSION

DRAWN BY

DATE:

OPTION

MODEL

STANDARD DETAILS

DRAWING TITLE

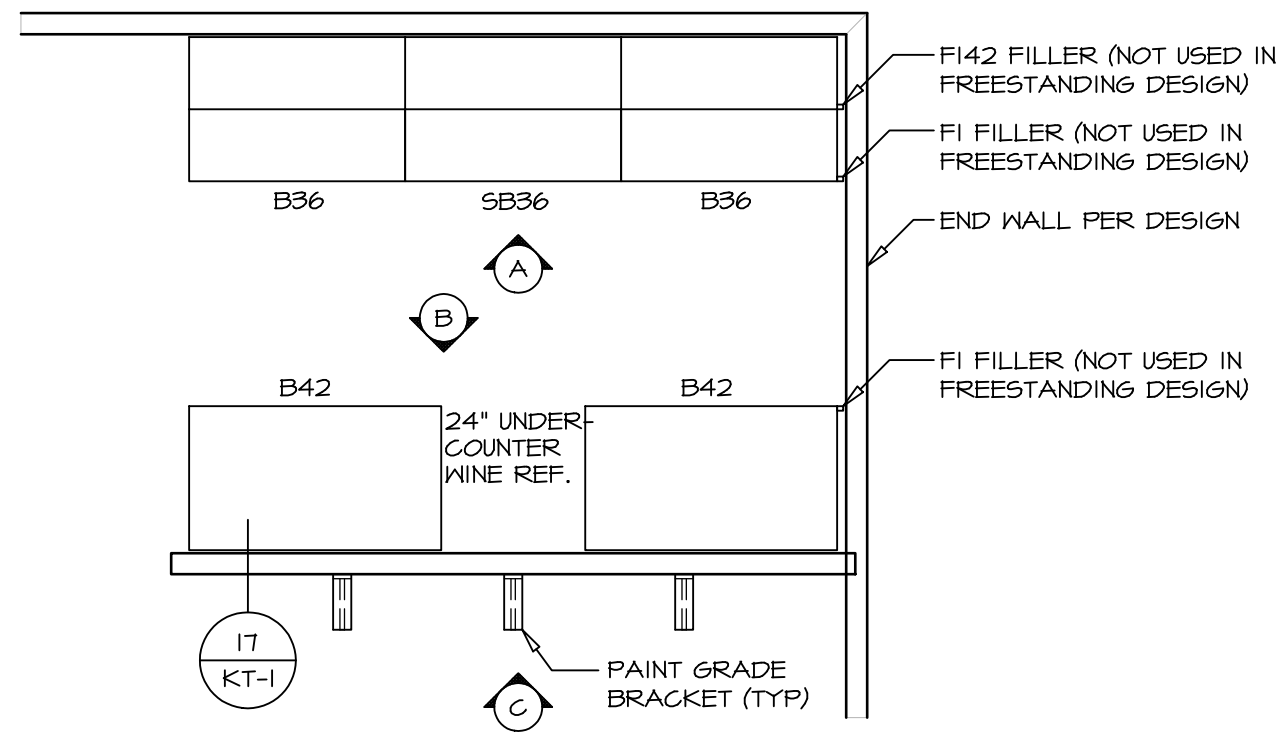
INTERIOR TRIM DETAILS

BATH DETAILS

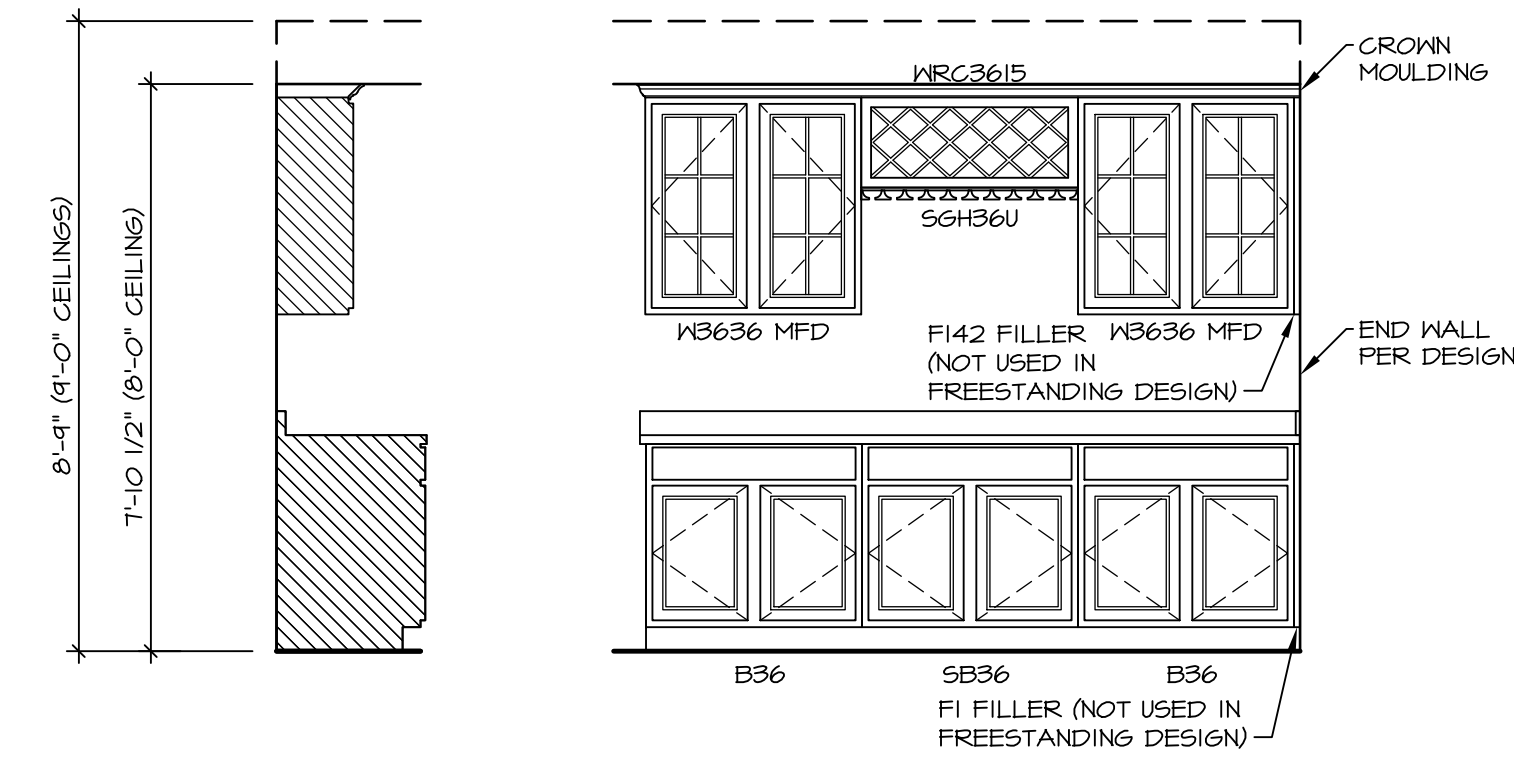
OPTION DESCRIPTION

SHEET NO. **IT-2**

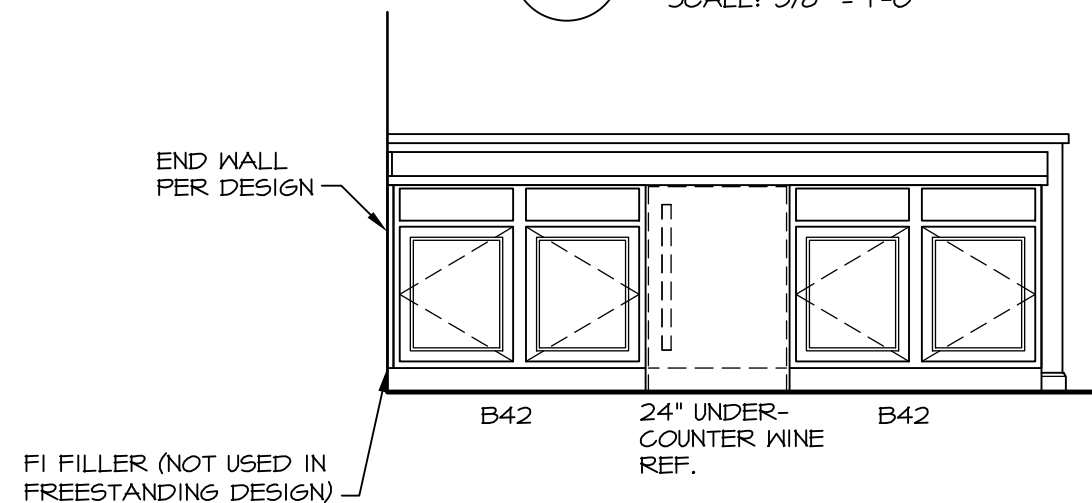
NOTE:
REVIEW HOUSE SPECIFIC
PLANS FOR LOCATION
AND HANDING



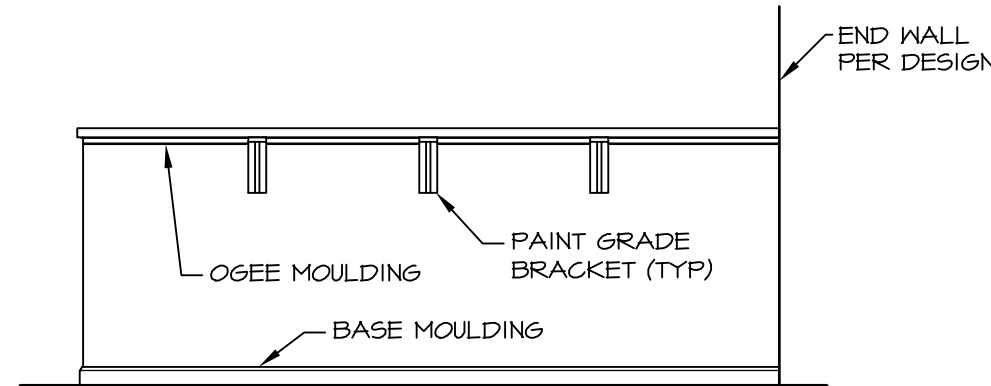
2 KITCHEN CABINET PLAN KC - 1901
SCALE: 3/8" = 1'-0"



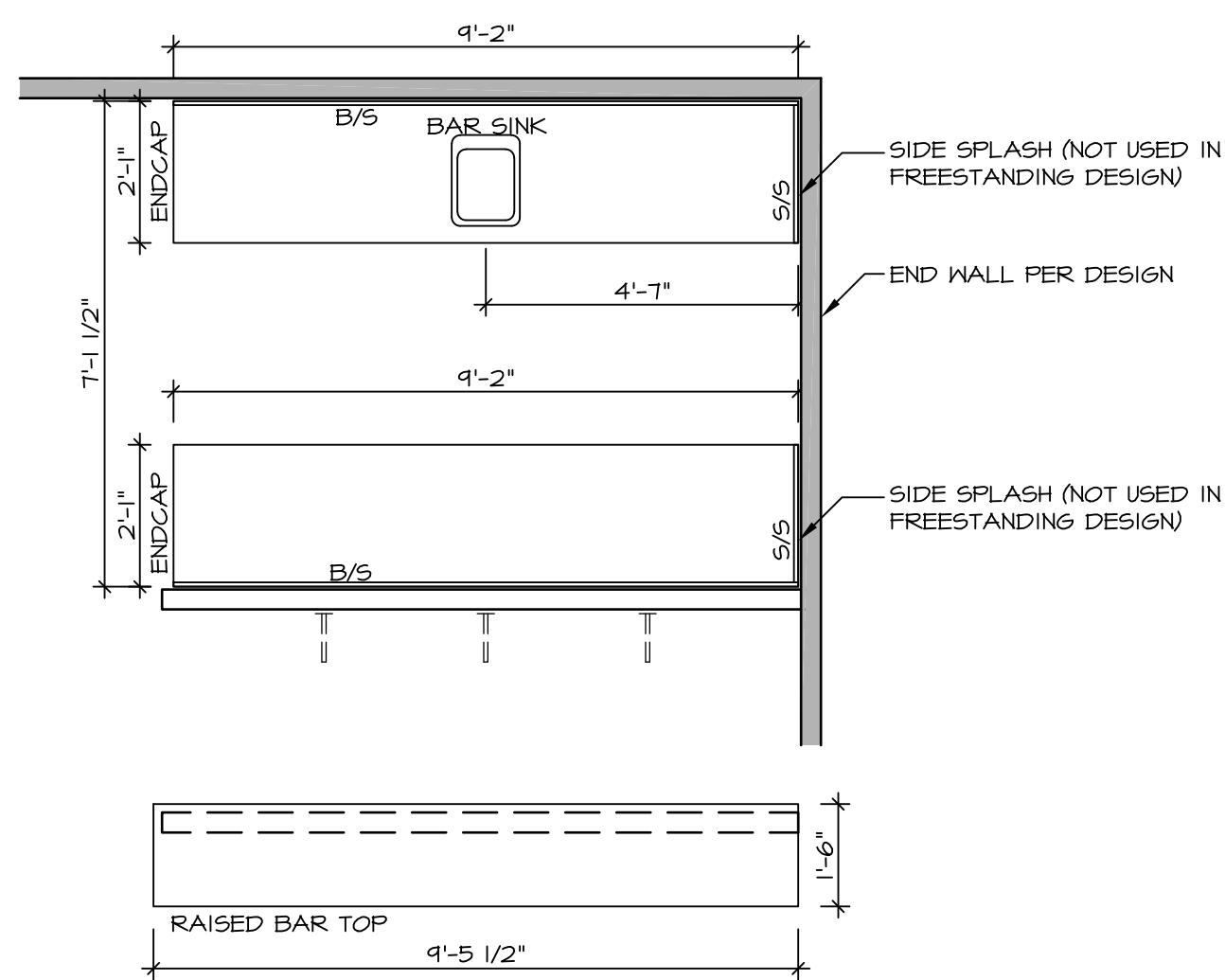
3 ELEVATION "A"
SCALE: 3/8" = 1'-0"



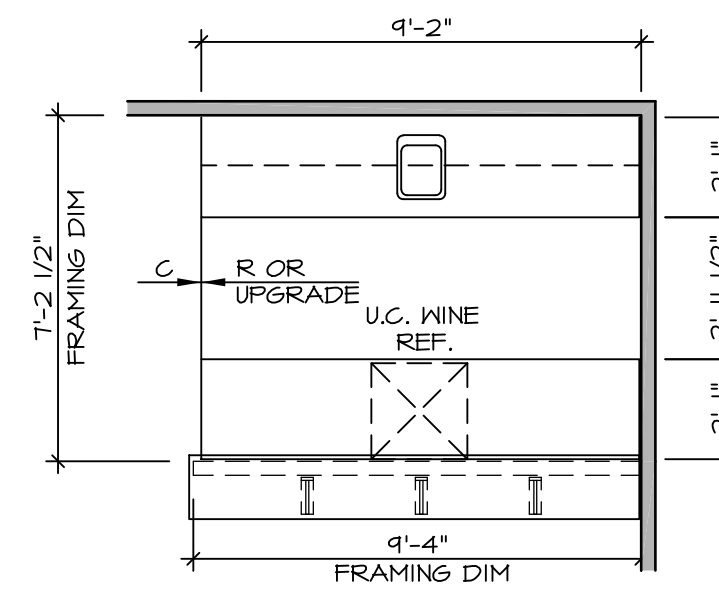
4 ELEVATION "B"
SCALE: 3/8" = 1'-0"



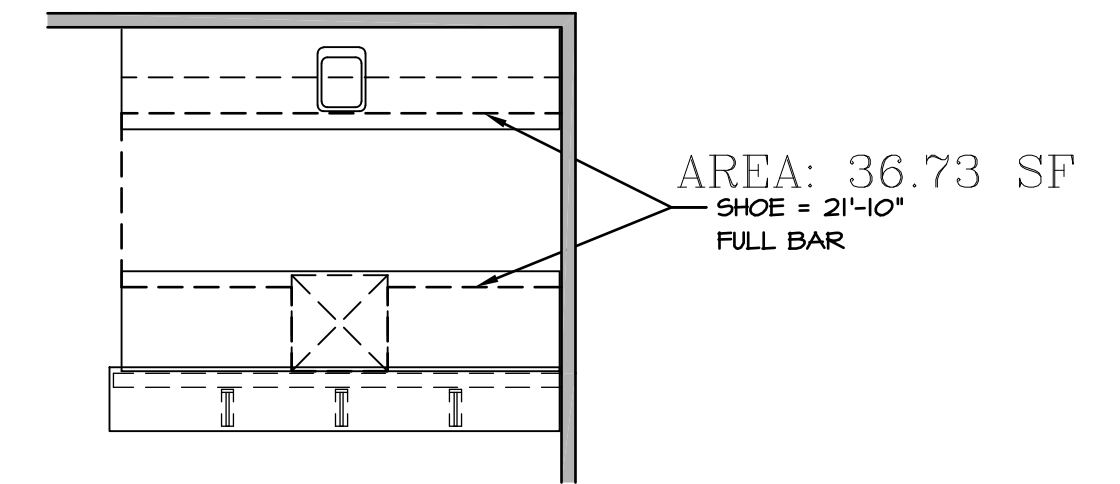
5 ELEVATION "C"
SCALE: 3/8" = 1'-0"



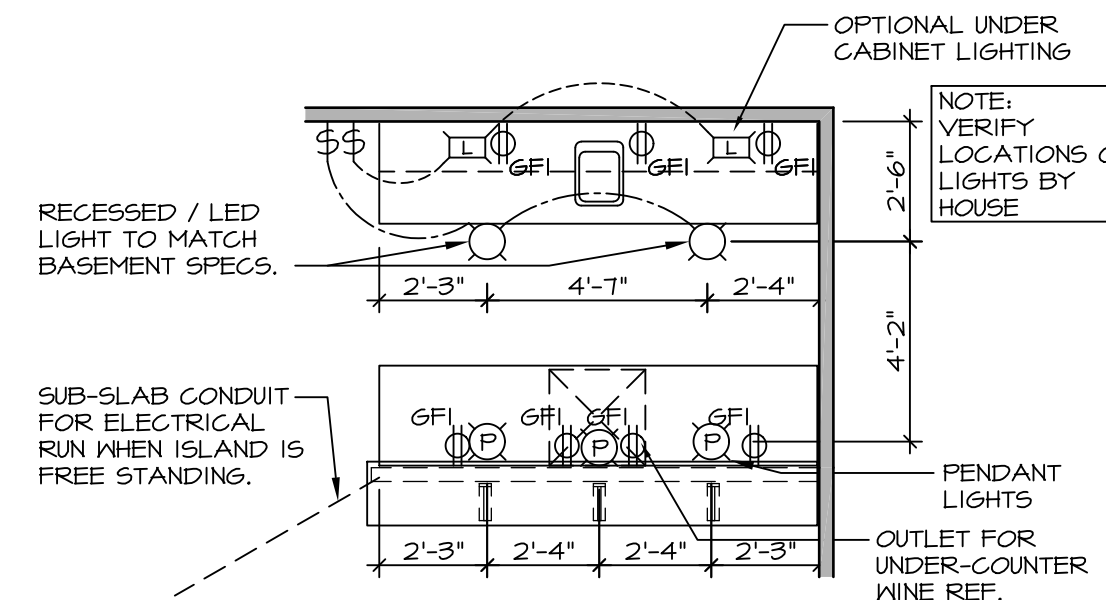
8 KITCHEN COUNTERTOP PLAN KT - 1901
SCALE: 3/8" = 1'-0"



6 FLOOR PLAN
SCALE: 1/4" = 1'-0"



7 FLOORING PLAN
SCALE: 1/4" = 1'-0"



9 FLOOR PLAN ELECTRICAL LAYOUT
SCALE: 1/4" = 1'-0"

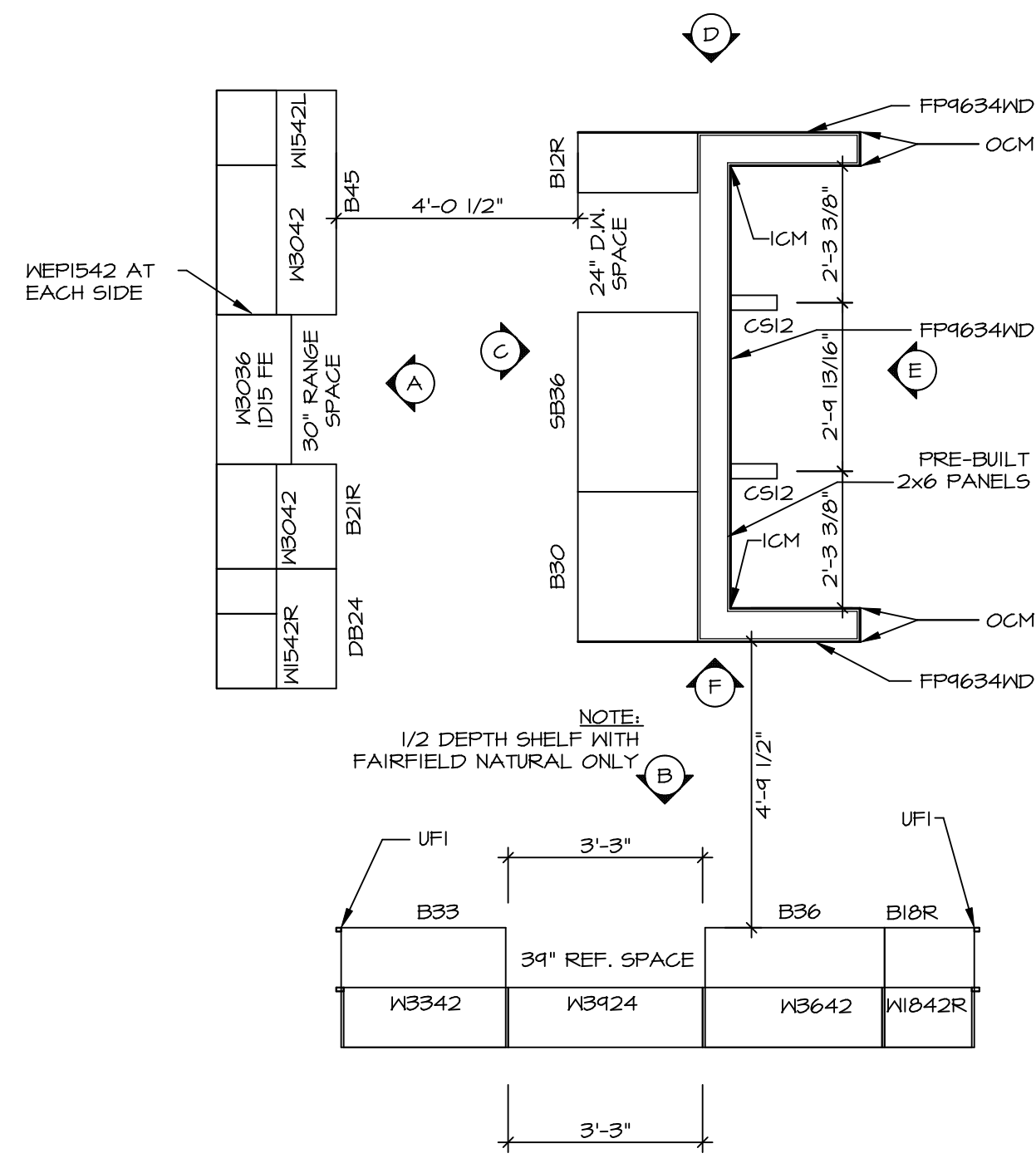
1 WET BAR DETAILS
SCALE: VARIES

REV. NO.	DATE	REMARKS
1	5/17/17	56A - REVISED FLOOR PLAN DIMENSIONS TO MATCH COUNTERTOP DIMENSIONS
2	5/23/17	56A - FIXED OVERLAPPING TEXT ON 3/17-3
3	6/5/17	56A - REMOVED U.C. REF. AND TURNED OFF FLOORING SPACES
4	9/14/17	EBP - ADDED NOTE TO RECESSED LIGHT / LED LIGHT IN NET BAR
5	9/28/17	EBP - ADDED FRAMING DIMENSIONS FOR THE NET BAR WALL

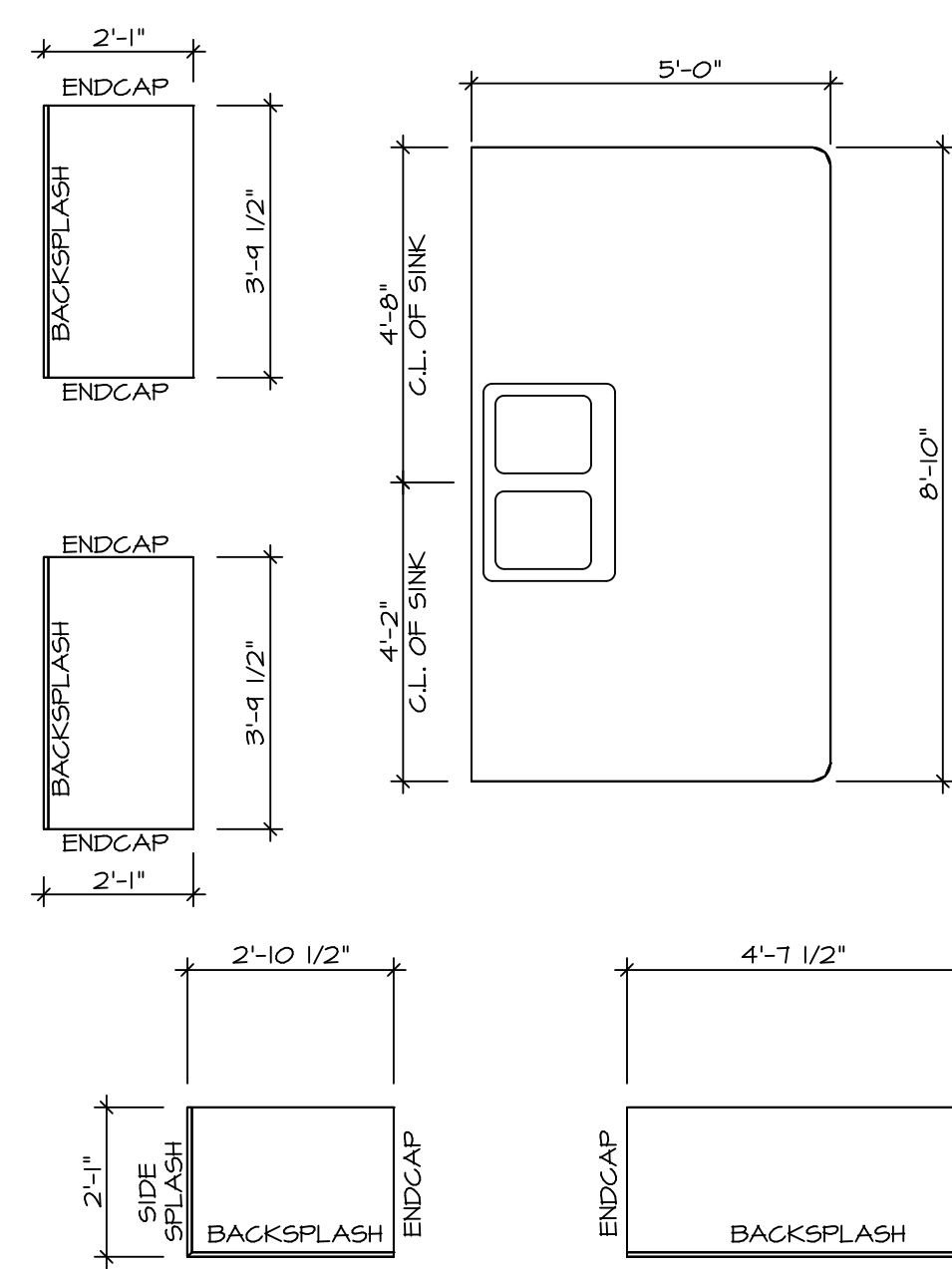
NVR, Inc., owner, expressly reserves its common law copyright and other property rights in these plans. These plans are not to be copied, reproduced, or otherwise used in any way without the express written consent of NVR, Inc.

NVR
NVR, Inc.
Architectural Services
Architects
5285 Westover Circle
Frederick, MD 21703

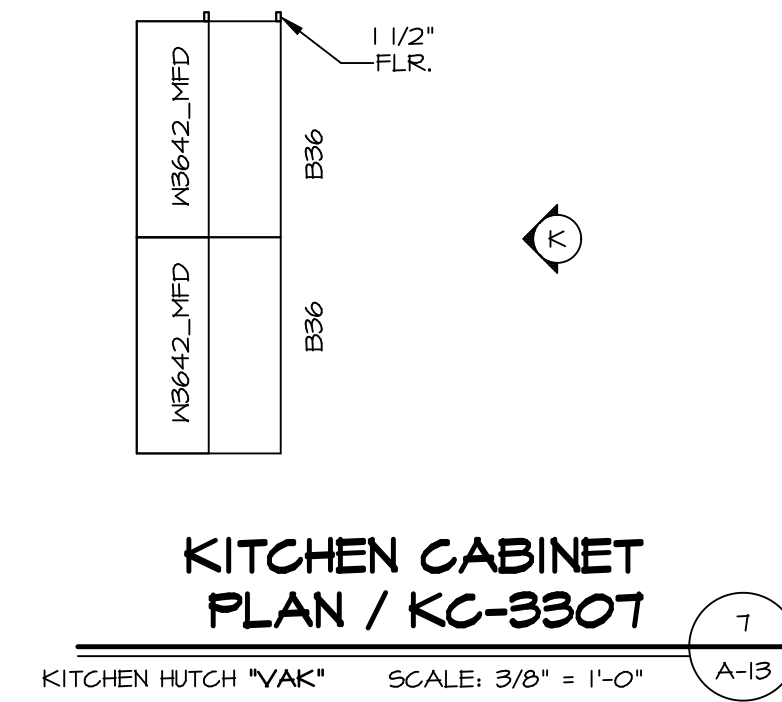
SHEET NO.	1
MODEL	STANDARD DETAILS
DRAWING TITLE	INTERIOR TRIM DETAILS
DRAWN BY	NET BAR DETAILS - FULL BAR (RYAN ONLY)
DATE:	
OPTION	
SET NO. NVR	
VERSION	
OPTION DESCRIPTION	



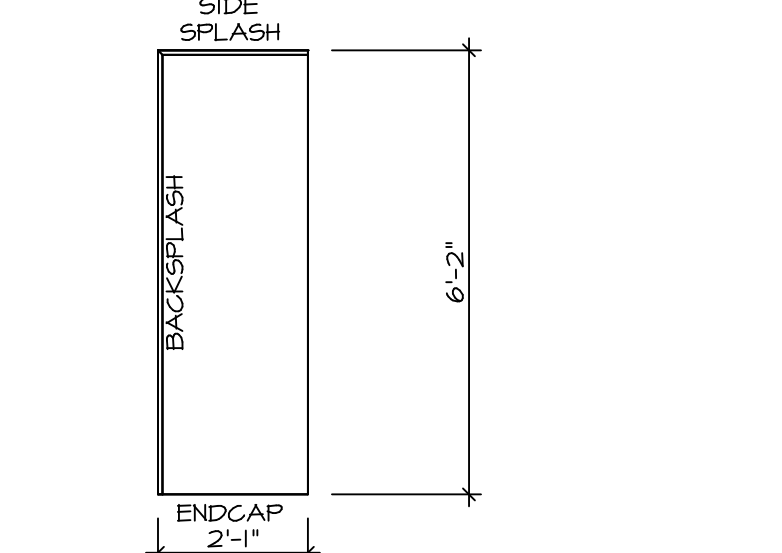
KITCHEN CABINET PLAN / KC-3230
SCALE: 3/8" = 1'-0" A-13



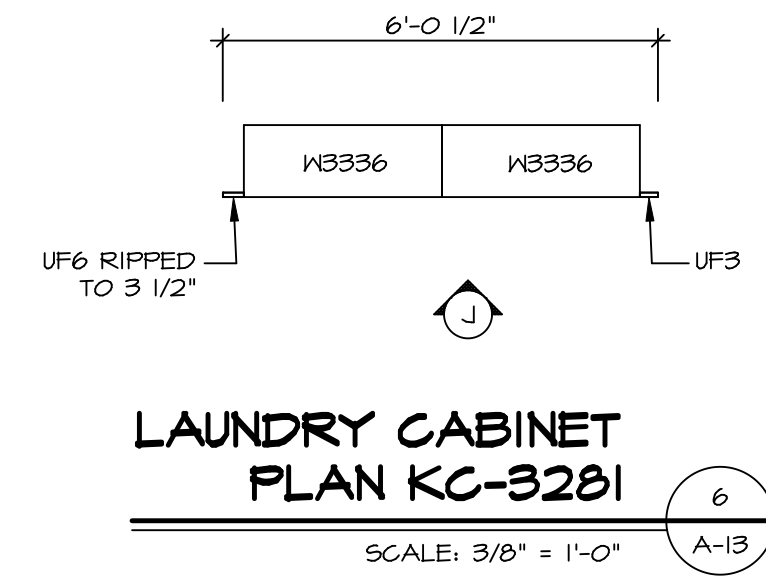
KITCHEN COUNTERTOP PLAN / KT-3230
SCALE: 3/8" = 1'-0" A-13



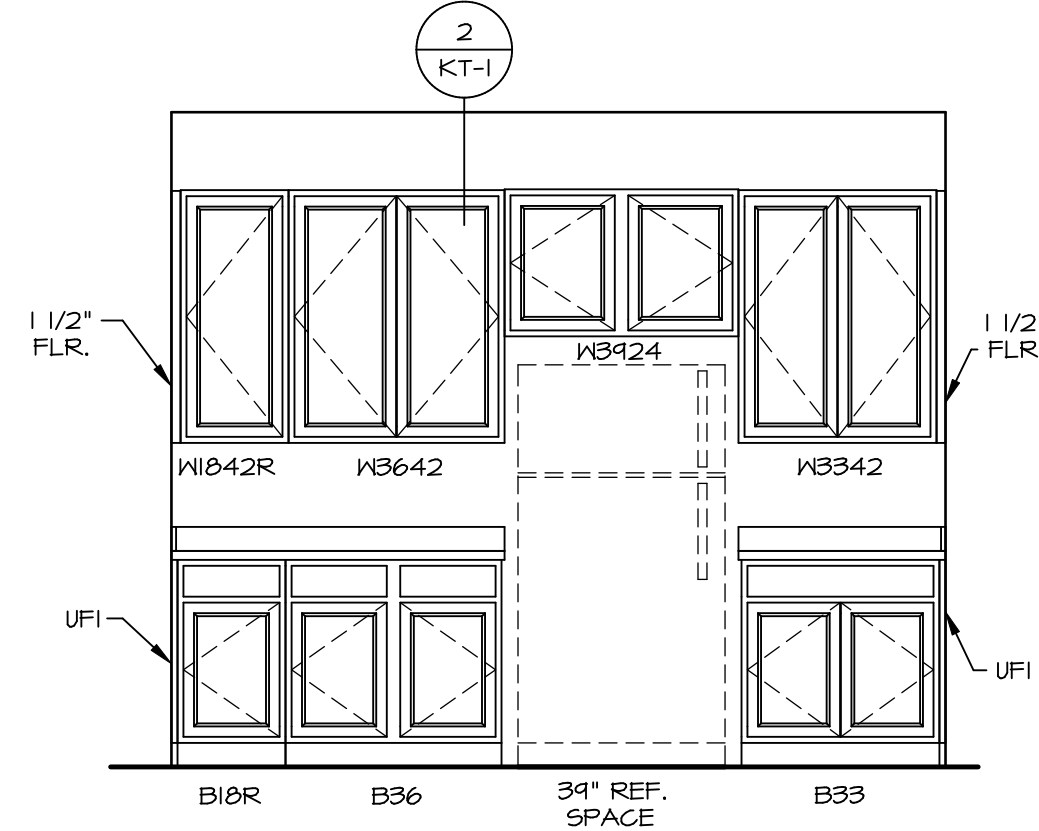
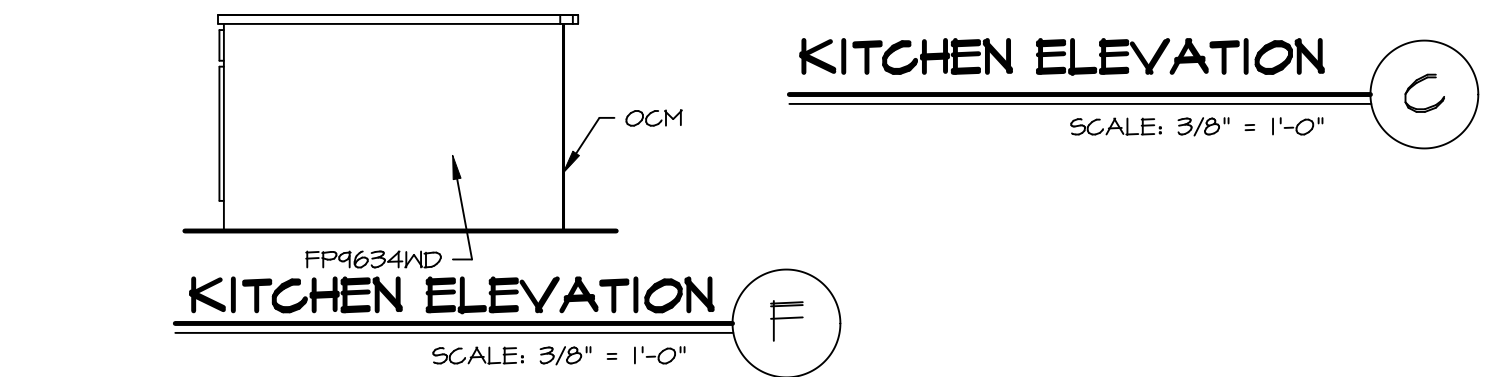
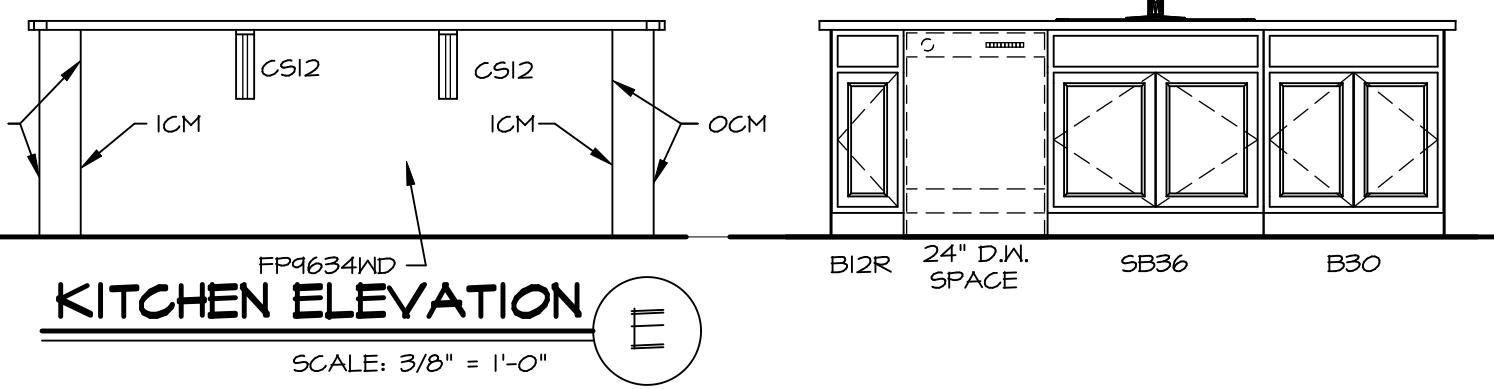
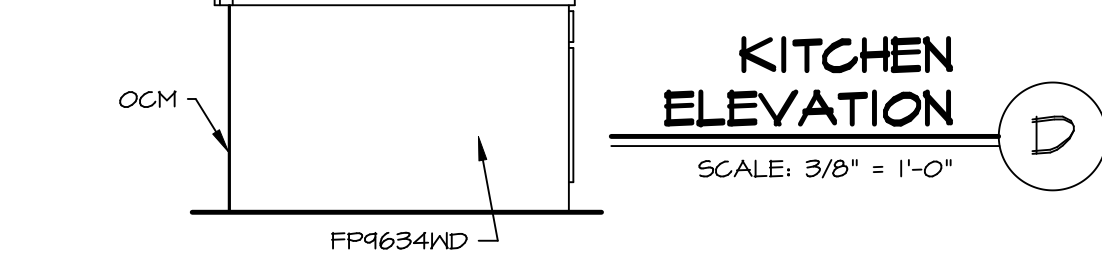
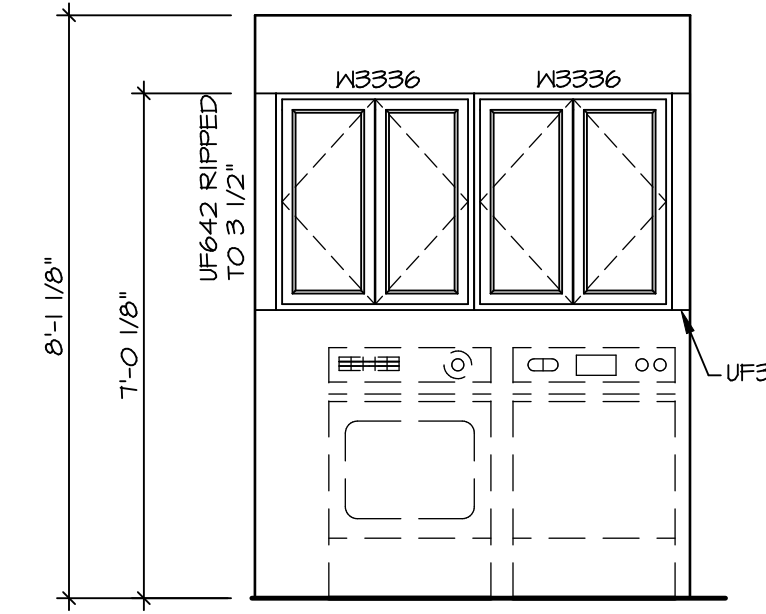
KITCHEN CABINET PLAN / KC-3307
KITCHEN HUTCH "VAK" SCALE: 3/8" = 1'-0" A-13



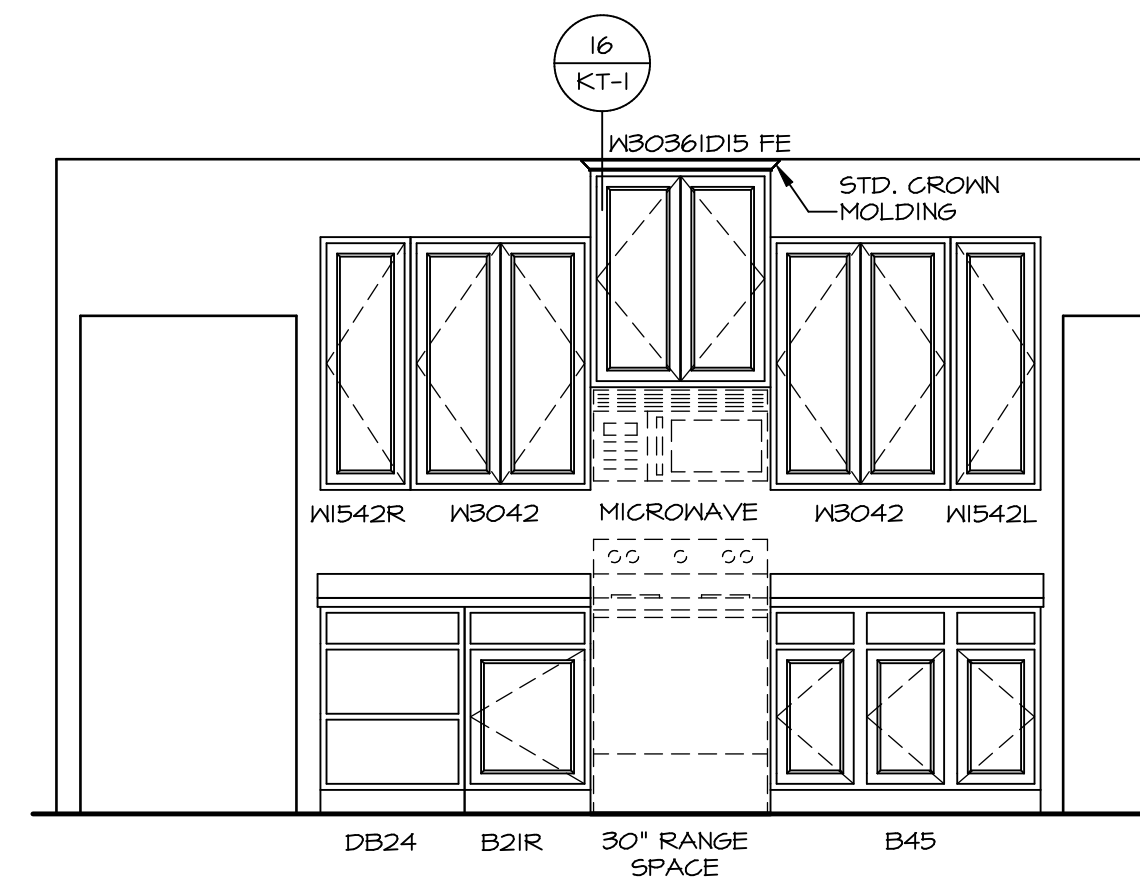
KITCHEN COUNTER PLAN / KT-3307
KITCHEN HUTCH "VAK" SCALE: 3/8" = 1'-0" A-13



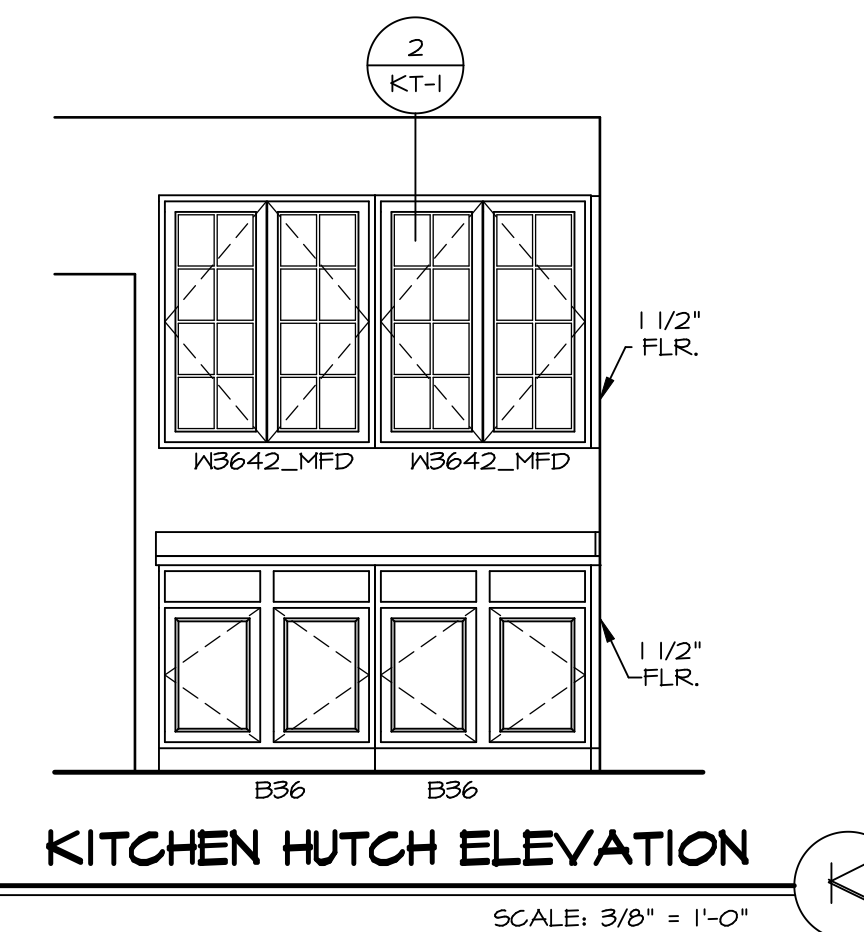
LAUNDRY CABINET ELEVATION
SCALE: 3/8" = 1'-0" A-13



KITCHEN ELEVATION B
SCALE: 3/8" = 1'-0"



KITCHEN ELEVATION A
SCALE: 3/8" = 1'-0"



KITCHEN HUTCH ELEVATION K
SCALE: 3/8" = 1'-0"

REV. NO.	DATE	REMARKS
1	11/15/16	TRV - STANDARD DETAILS 5.0

MODEL	NORMANDY
DRAWING TITLE	KITCHEN LAYOUT
OPTION DESCRIPTION	

SET NO.	NRM00
VERSION	01
DRAWN BY	RJC
DATE	6/29/15
OPTION	

SHEET NO.	A-13
46	

NVR, Inc., owner, expressly reserves its copyright in these plans. These plans are not to be reproduced, changed, copied in any way, or used for any other purpose without the written consent of NVR, Inc.

