

**LVL PLY TO PLY FASTENING SCHEDULE:**

- 1.A - (2) PLY UP TO AND INCLUDING II 7/8" TALL; FASTEN PLYS W/ (2) ROWS 16D NAILS AT 12" O.C.
- 2.A - (2) PLY 14" TO AND 18" TALL (INCLUSIVE); FASTEN PLYS W/ (3) ROWS 16D NAILS AT 12" O.C.
- 3.A - (2) PLY 20" TALL AND OVER; FASTEN PLYS W/ (4) ROWS 16D NAILS AT 12" O.C.
- 4.A - (3) PLY UP TO AND INCLUDING II 7/8" TALL; FASTEN PLYS W/ (2) ROWS 16D NAILS AT 12" O.C. FROM EACH SIDE
- 5.A - (3) PLY 14" TO AND 18" TALL (INCLUSIVE); FASTEN PLYS W/ (3) ROWS 16D NAILS AT 12" O.C. FROM EACH SIDE
- 6.A - (3) PLY 20" TALL AND OVER; FASTEN PLYS W/ (4) ROWS 16D NAILS AT 12" O.C. FROM EACH SIDE

**FOUNDATION BEAM/HEADER SCHEDULE**

IDENTIFIER	DESCRIPTION	LENGTH	OPTIONS	ENG. NUM.	REMARKS
BO1	BEAM STEEL - W8X21	14'-7 7/8"		001	
BO2	BEAM STEEL - W8X13	11'-3 3/4"	MAA	005	

**PAD FOOTING SCHEDULE**

IDENTIFIER	LENGTH	WIDTH	HEIGHT	OPTIONS	ENG. NUM.

**BASEMENT JACK SCHEDULE**

IDENTIFIER	DESCRIPTION	OPTIONS	ENG. NUM.	FIELD INSTALLED

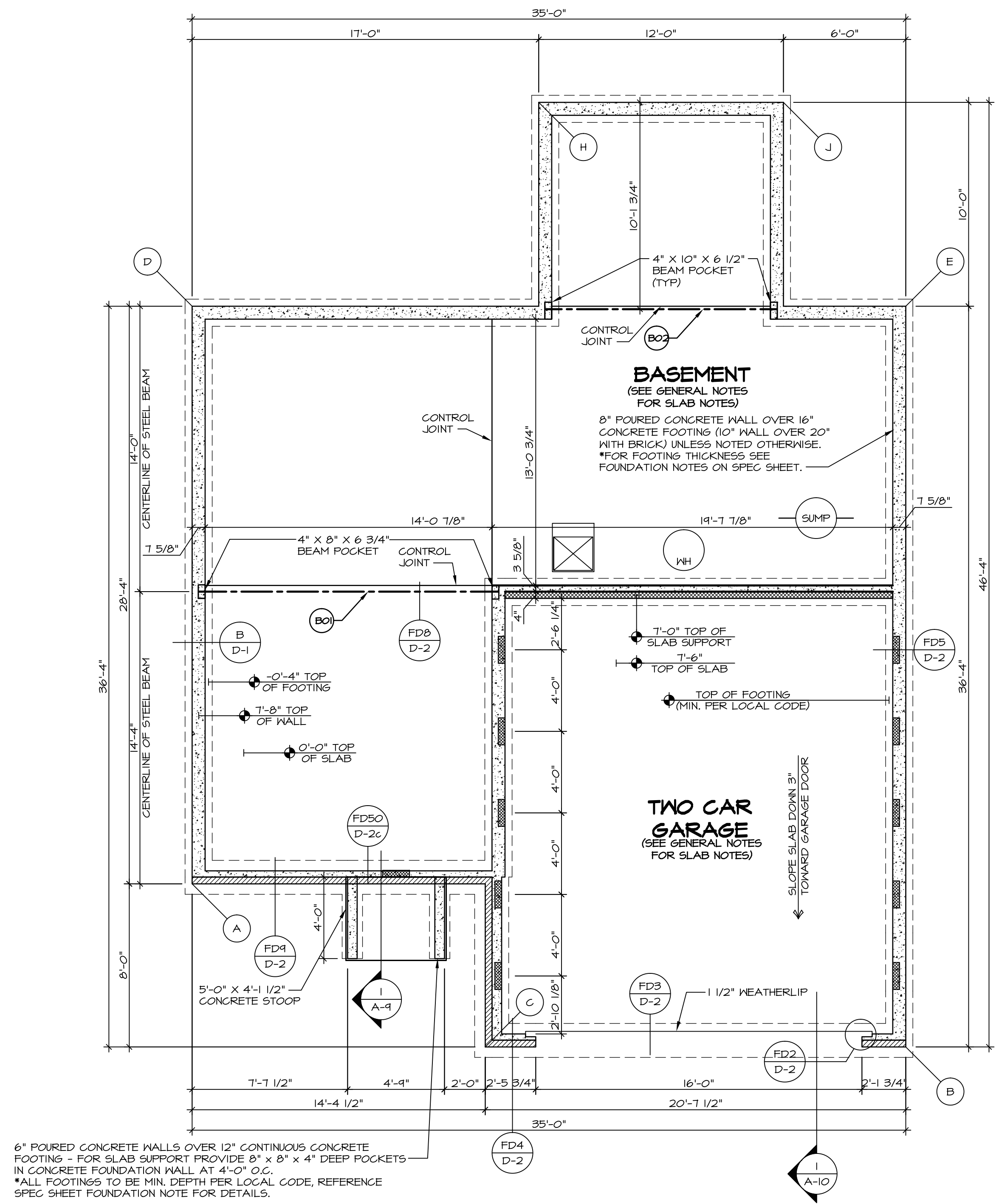
**LEGEND**

- BEARING WALL
- NON BEARING WALL
- INDICATES BEARING FROM POINT-LOAD ABOVE
- JACKS
- BEAM/HEADER
- PAD FOOTINGS
- STEEL COLUMN
- PORTAL FRAME
- JOIST/TRUSS
- LVL
- ENGINEERING PAGE NUMBER

SEE FG DETAILS FOR FRAMING CONNECTORS

**FOUNDATION NOTES - BASEMENT**

1. FOUNDATION UNDER HABITABLE SPACE:
  - 1.1. CONCRETE SLAB ON 6 MIL VAPOR BARRIER OVER SUB-BASE (SEE SPEC SHEET FOR SLAB NOTES)
  2. SLAB UNDER GARAGE:
    - 2.1. UNEXCAVATED WITH CONCRETE SLAB ON VAPOR BARRIER OVER SUB-BASE (SEE SPEC SHEET FOR SLAB NOTES)
3. SEE SHEET (A-4) FOR FOUNDATION CONNECTION INFORMATION.
4. OPTIONAL EGRESS WINDOW - LOCATION MAY VARY DUE TO GRADE OR OPTIONS ABOVE WINDOW WELL REQUIRED W/ CERTAIN GRADE CONDITIONS (SEE SPEC SHEET FOR ADDITIONAL INFO.)
5. SLAB LEDGE LOCATIONS VARY W/ GRADE BEAM(S) ORIENTATION, SEE STD DTLS D-2.



6" POURED CONCRETE WALLS OVER 12" CONTINUOUS CONCRETE FOOTING - FOR SLAB SUPPORT PROVIDE 8" x 8" x 4" DEEP POCKETS IN CONCRETE FOUNDATION WALL AT 4'-0" O.C.  
 \*ALL FOOTINGS TO BE MIN. DEPTH PER LOCAL CODE, REFERENCE SPEC SHEET FOUNDATION NOTE FOR DETAILS.

**FOUNDATION PLAN**  
 SCALE: 1/4" = 1'-0"

**FOUNDATION DIAGONALS**

A		B	
A	0"	A	35'-10 21/32"
B	35'-10 21/32"	B	0"
C	16'-5 13/32"	C	20'-7 1/2"
D	28'-4"	D	50'-5 3/8"
E	45'-0 3/8"	E	36'-4"
H	41'-11 7/32"	H	44'-8 15/32"
J	48'-0 13/16"	J	46'-8 21/32"

REVISIONS

REV. NO.	DATE	DESCRIPTION
1	08/05/16	N.E. - DRAWING ALIGNMENT

SET NO. SIECO  
 VERSION 05  
 DRAWN BY  
 DATE: 2/2/2015  
 OPTION

MODEL  
**SIENNA**  
 DRAWING TITLE  
**FOUNDATION PLAN**  
 OPTION DESCRIPTION

SHEET NO.  
**A-2**

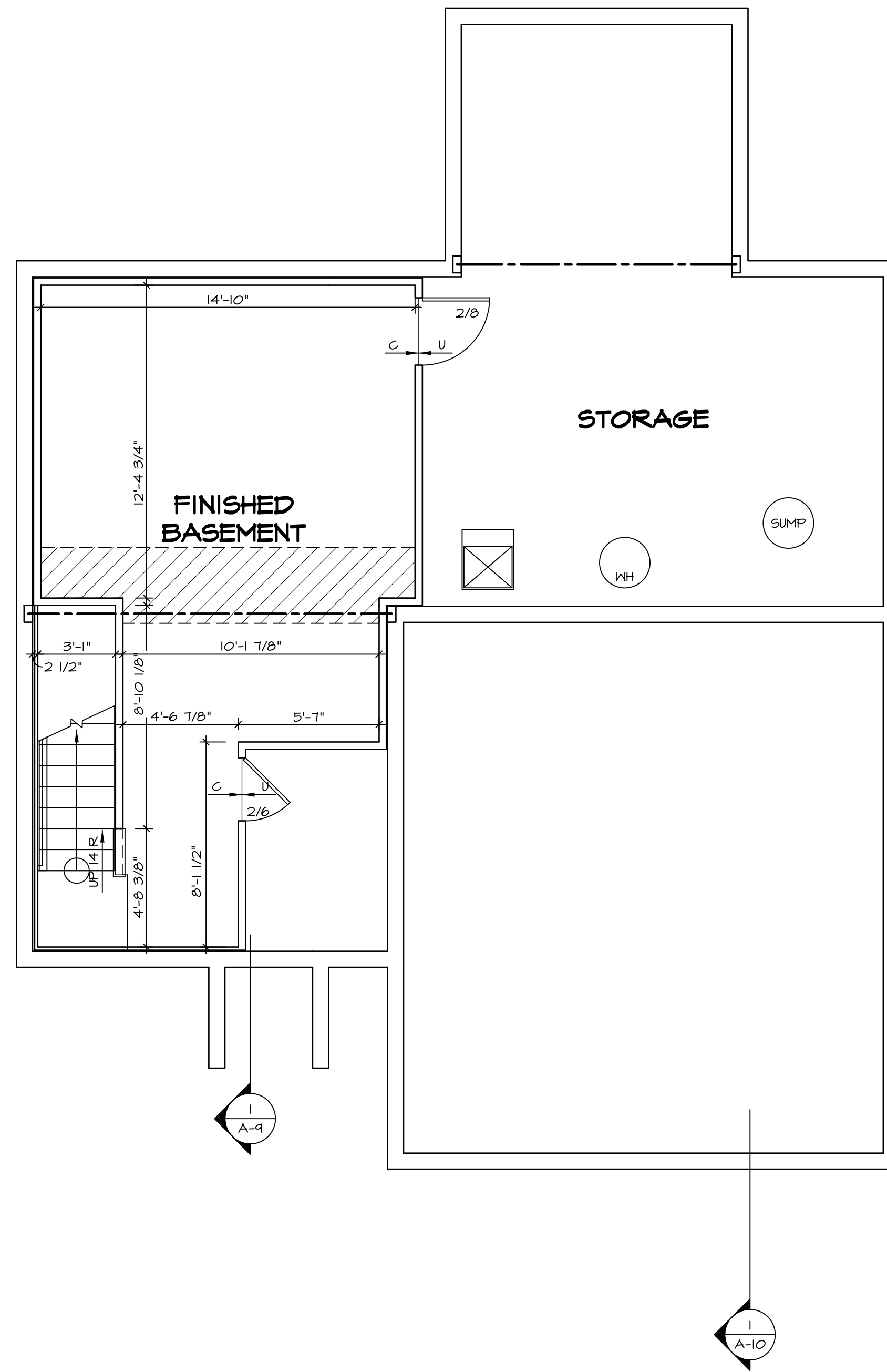
13

NVR, Inc., owner, expressly reserves its copyright in these plans. These plans are not to be reproduced, changed, copied, or otherwise used in any way without the written consent of NVR, Inc.

**NVR**  
 NVR, Inc.  
 Architectural Services  
 Architects  
 21 Baycenter Plaza, A  
 Frederick, MD 21702

C:\NVR\Solves\SIENNA\_SIECO\_05\DC7-VG-1317\317695\Sheets\Lot\_Specific\13 A-3 FDN\_LS (FBA).dwg 12/22/16 - 7:43 pm





**BASEMENT FLOOR PLAN**  
SCALE: 1/4" = 1'-0"

**LEGEND**

	BEARING WALL
	NON BEARING WALL
	INDICATES BEARING FROM POINT-LOAD ABOVE
	JACKS
	BEAM/HEADER
	PAD FOOTING
	STEEL COLUMN
	PORTAL FRAME
	JOIST/TRUSS
	LVL
	ENGINEERING PAGE NUMBER

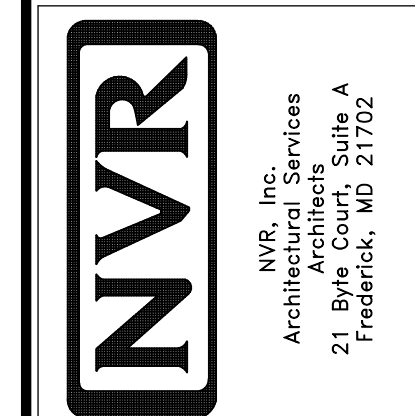
SEE FC DETAILS FOR FRAMING CONNECTORS

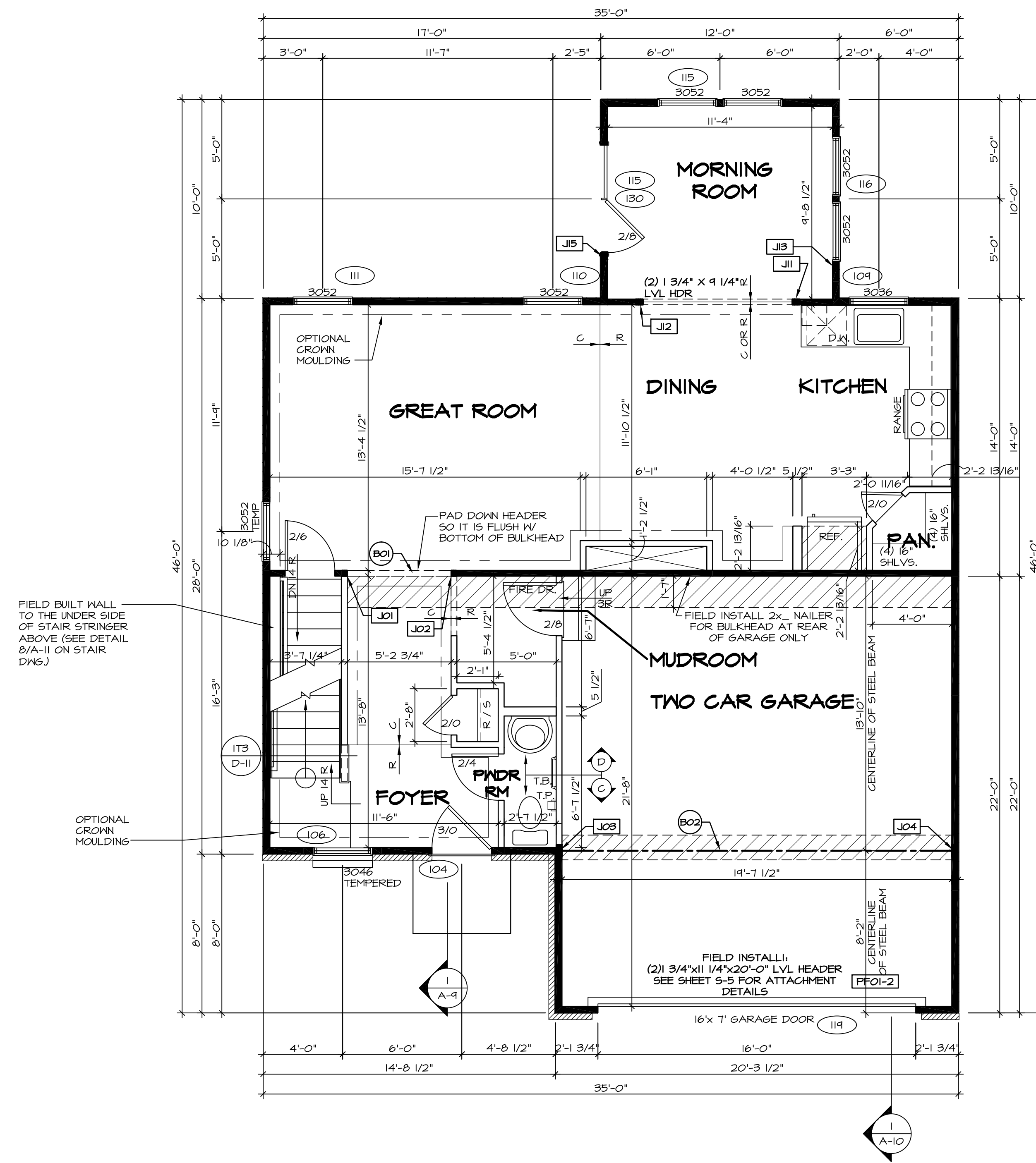
- FLOOR PLAN NOTES**
- ALL HEADERS ARE (2) 2x6 w/ 2x4 WALLS OR (3) 2x6 w/ 2x6 WALLS, UNLESS OTHERWISE NOTED.
  - ALL HEADERS TO HAVE (1) 2x4 OR 2x6 JACK EACH END, UNLESS OTHERWISE NOTED.
  - ALL EXTERIOR WALLS TO BE 4" AND ALL INTERIOR WALLS TO BE 3 1/2", UNLESS OTHERWISE NOTED.
  - HATCHED AREAS INDICATE DROPPED CEILINGS. ALL DROPPED CEILINGS ARE 12" UNLESS OTHERWISE NOTED.
  - SEE "BRACED WALL PANEL DETAIL SHEET" FOR SPECIAL WALL FRAMING LOCATIONS AND HEADER SIZES, IF APPLICABLE.
  - SEE STANDARD DETAIL SHEET D-II FOR TRIM OPTIONS (IT6 / D-II) AND DETAILS.
  - ALL WINDOWS HAVE 1'-0 1/2" HEADER HEIGHT UNLESS OTHERWISE NOTED.

- GYPSUM NOTES**
- AT GARAGE:**  
GYPSUM BOARD AT COMMON WALLS, CEILINGS, BEAM WRAPS AND SUPPORTS PER STANDARD DETAIL D-5 FIRE ASSEMBLIES OR AS REQUIRED BY LOCAL CODE.
- AT STAIRS:**  
1/2" GYPSUM BOARD AT UNDERSIDE OF STAIRS AND WALLS IN CLOSET

SHEET NO. <b>A-6</b>	MODEL <b>SIENNA</b>	SET NO. SIECO	REV. NO.	DATE	REMARKS
		VERSION 05	1	08/05/16	
DRAWING TITLE <b>BASEMENT FLOOR PLAN</b>	OPTION DESCRIPTION	DRAWN BY			
		DATE: 2/2/2015			
23					

NVR, Inc., owner, expressly reserves its copyright in these plans. These plans are not to be reproduced, changed, adapted in any way, or used for any other project, without the written consent of NVR, Inc.





**FIRST FLOOR PLAN**  
 SCALE: 1/4" = 1'-0"

**LEGEND**

- BEARING WALL
- NON BEARING WALL
- INDICATES BEARINGS FROM POINT-LOAD ABOVE
- JACKS
- BEAM/HEADER
- PAD FOOTING
- STEEL COLUMN
- PORTAL FRAME
- JOIST/TRUSS
- LVL
- ENGINEERING PAGE NUMBER

SEE FC DETAILS FOR FRAMING CONNECTORS

- FLOOR PLAN NOTES**
- ALL HEADERS ARE (2) 2x6 w/ 2x4 WALLS OR (3) 2x6 w/ 2x6 WALLS, UNLESS OTHERWISE NOTED.
  - ALL HEADERS TO HAVE (1) 2x4 OR 2x6 JACK EACH END, UNLESS OTHERWISE NOTED.
  - ALL EXTERIOR WALLS TO BE 4" AND ALL INTERIOR WALLS TO BE 3 1/2", UNLESS OTHERWISE NOTED.
  - HATCHED AREAS INDICATE DROPPED CEILINGS. ALL DROPPED CEILINGS ARE 12" UNLESS OTHERWISE NOTED.
  - SEE BRACED WALL PANEL DETAIL SHEET FOR SPECIAL WALL FRAMING LOCATIONS AND HEADER SIZES, IF APPLICABLE.
  - SEE STANDARD DETAIL SHEET D-II FOR TRIM OPTIONS (176 / D-II) AND DETAILS.
  - ALL WINDOWS HAVE T-O 1/2" HEADER HEIGHT UNLESS OTHERWISE NOTED.

- GYPSUM NOTES**
- AT GARAGE:  
 GYPSUM BOARD AT COMMON WALLS, CEILINGS, BEAM WRAPS AND SUPPORTS PER STANDARD DETAIL D-5 FIRE ASSEMBLIES OR AS REQUIRED BY LOCAL CODE.
- AT STAIRS:  
 1/2" GYPSUM BOARD AT UNDERSIDE OF STAIRS AND WALLS IN CLOSET

**FIRST FLOOR JACK SCHEDULE**

IDENTIFIER	DESCRIPTION	OPTIONS	ENG. NUM.	FIELD INSTALLED
J01	JACK - (2) 2X4 SFF STUD GRADE		103	
J02	JACK - (2) 2X4 SFF STUD GRADE		103	
J03	JACK - (5) 2X4 SFF#	GCB / GCC	105	
J04	JACK - (5) 2X4 SFF#	GCB / GCC	105	
J11	JACK - (3) 2X4 SFF STUD GRADE	MAA	103	
J12	JACK - (3) 2X4 SFF STUD GRADE	MAA	103	
J13	JACK - (3) 2X4 SFF STUD GRADE	MAA / SRW	116	
J15	JACK - (3) 2X4 SFF STUD GRADE	MAA / SRW	116	

- LVL PLY TO PLY FASTENING SCHEDULE:**
- 1A - (2) PLY UP TO AND INCLUDING 11 7/8" TALL; FASTEN PLYS W/ (2) ROWS 16D NAILS AT 12" O.C.
  - 2A - (2) PLY 14" TO AND 18" TALL (INCLUSIVE); FASTEN PLYS W/ (3) ROWS 16D NAILS AT 12" O.C.
  - 3A - (2) PLY 20" TALL AND OVER; FASTEN PLYS W/ (4) ROWS 16D NAILS AT 12" O.C.
  - 4A - (3) PLY UP TO AND INCLUDING 11 7/8" TALL; FASTEN PLYS W/ (2) ROWS 16D NAILS AT 12" O.C. FROM EACH SIDE
  - 5A - (3) PLY 14" TO AND 18" TALL (INCLUSIVE); FASTEN PLYS W/ (3) ROWS 16D NAILS AT 12" O.C. FROM EACH SIDE
  - 6A - (3) PLY 20" TALL AND OVER; FASTEN PLYS W/ (4) ROWS 16D NAILS AT 12" O.C. FROM EACH SIDE

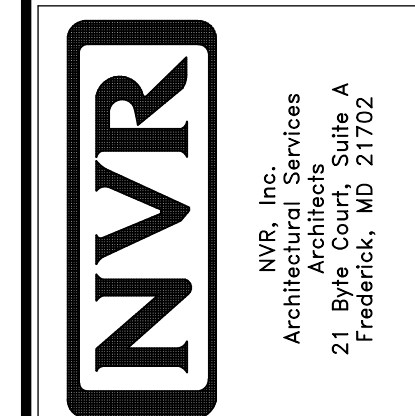
**FIELD INSTALLED FIRST FLOOR BEAM/HEADER SCHEDULE**

IDENTIFIER	DESCRIPTION	LENGTH	OPTIONS	ENG. NUM.	REMARKS
B01	INT HEADER - 2X8 - 2 PLY	5'-8 3/4"		103	
B02	BEAM STEEL - W12X26	20'-2"	SRI / SXS / FBA / FCA	105	
FF01-2	LVL - 11-04	20'-0"	GCB	111	PORTAL FRAME, 2 PLY, 1A

REMARKS

REV. NO.	DATE	DESCRIPTION
1	08/05/16	N - DRAWING ALIGNMENT

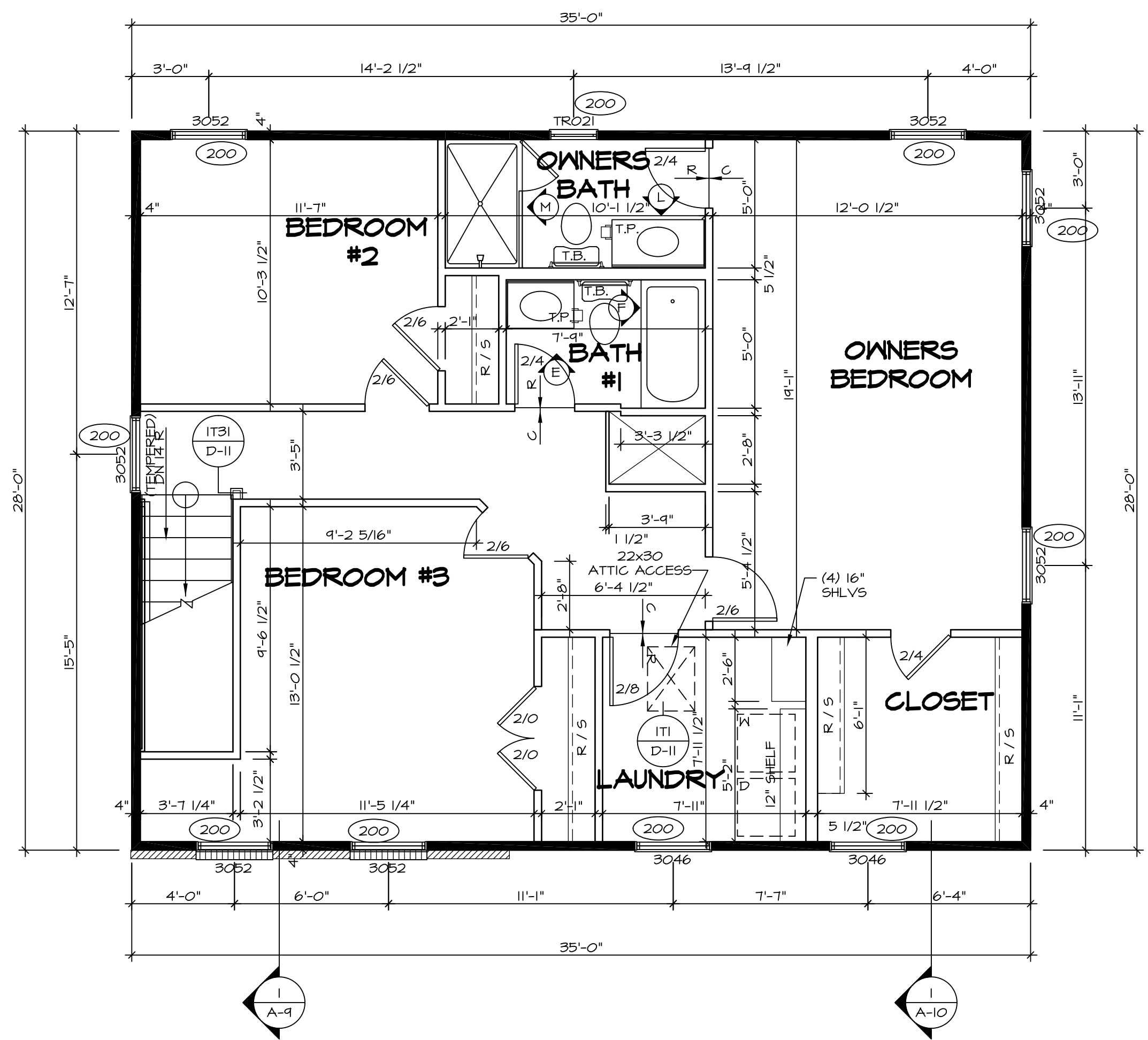
NVR, Inc., owner, expressly reserves its common law copyright in these plans. These plans are not to be reproduced, changed, copied in any way, or otherwise used without the written consent of NVR, Inc.



SET NO. SIECO  
 VERSION 05  
 DRAWN BY  
 DATE: 2/2/2015  
 OPTION

MODEL  
**SIENNA**  
 DRAWING TITLE  
**FIRST FLOOR PLAN**  
 OPTION DESCRIPTION

SHEET NO.  
**A-7**  
 24



**SECOND FLOOR PLAN**  
SCALE: 1/4" = 1'-0"

**LEGEND**

	BEARING WALL
	NON BEARING WALL
	INDICATES BEARING FROM POINT-LOAD ABOVE JACKS
	JACKS
	BEAM/HEADER
	PAD FOOTING
	STEEL COLUMN
	PORTAL FRAME
	JOIST/TRUSS
	LVL
	ENGINEERING PAGE NUMBER

SEE FC DETAILS FOR FRAMING CONNECTORS

- FLOOR PLAN NOTES**
- ALL HEADERS ARE (2) 2x6 w/ 2x4 WALLS OR (3) 2x6 w/ 2x6 WALLS, UNLESS OTHERWISE NOTED.
  - ALL HEADERS TO HAVE (1) 2x4 OR 2x6 JACK EACH END, UNLESS OTHERWISE NOTED.
  - ALL EXTERIOR WALLS TO BE 4" AND ALL INTERIOR WALLS TO BE 3 1/2", UNLESS OTHERWISE NOTED.
  - HATCHED AREAS INDICATE DROPPED CEILINGS. ALL DROPPED CEILINGS ARE 12" UNLESS OTHERWISE NOTED.
  - SEE "BRACED WALL PANEL DETAIL SHEET" FOR SPECIAL WALL FRAMING LOCATIONS AND HEADER SIZES, IF APPLICABLE.
  - SEE STANDARD DETAIL SHEET D-II FOR TRIM OPTIONS (IT6 / D-II) AND DETAILS.
  - ALL WINDOWS HAVE 7'-0 1/2" HEADER HEIGHT UNLESS OTHERWISE NOTED.

SHEET NO. <b>A-8</b>	MODEL <b>SIENNA</b>	SET NO. SIECO VERSION <b>05</b>	REVISIONS REV. NO. DATE DESCRIPTION
	DRAWING TITLE <b>SECOND FLOOR PLAN</b>	DRAWN BY <b>DATE: 2/2/2015</b>	
OPTION DESCRIPTION <b>26</b>	OPTION	DATE: 2/2/2015	REVISIONS REV. NO. DATE DESCRIPTION

REVISIONS

REMARKS

08/05/16 N - DRAWING ALIGNMENT

NVR, Inc., owner, expressly reserves its copyright in these plans. These plans are not to be reproduced, changed, copied, or otherwise used in any way without the written consent of NVR, Inc.

**NVR**  
Architectural Services  
21 Park Plaza, Suite A  
Frederick, MD 21702

DATE: 2/2/2015

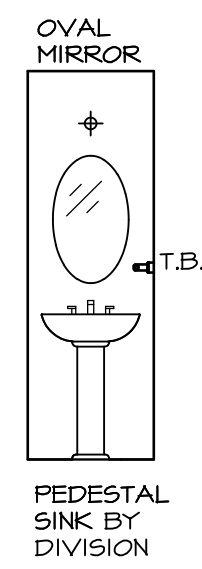
OPTION

DATE: 2/2/2015

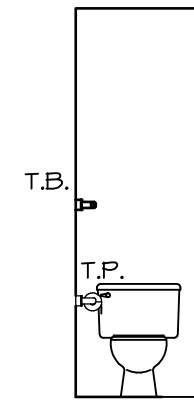
OPTION

C:\NVR\Solves\SIENNA\_SIECO\_05\DCY-VG-L317\317665\Sheets\Lot\_Sheets\A-8\_PLN2\_L3.dwg 12/22/16 - 7:44 PM

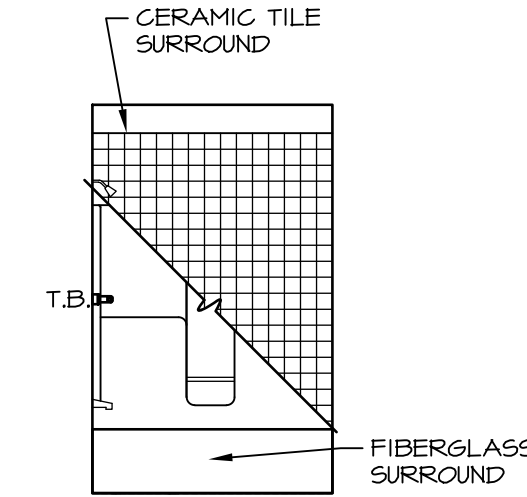




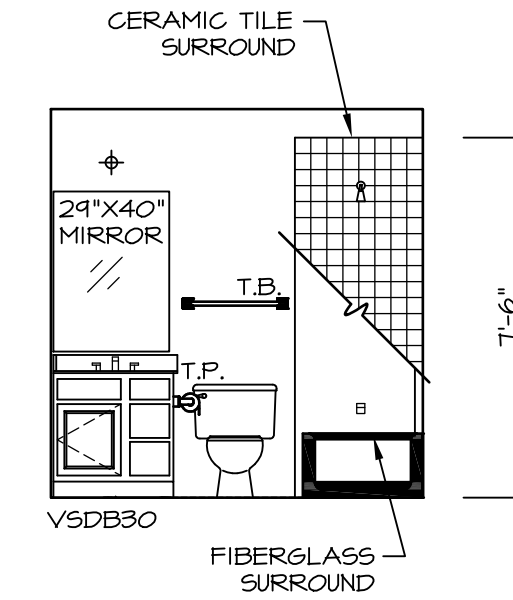
**D POWDER ROOM**  
SCALE: 1/4" = 1'-0"



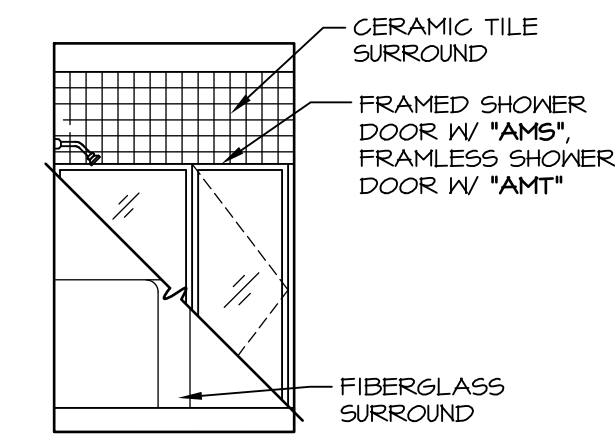
**C POWDER ROOM**  
SCALE: 1/4" = 1'-0"



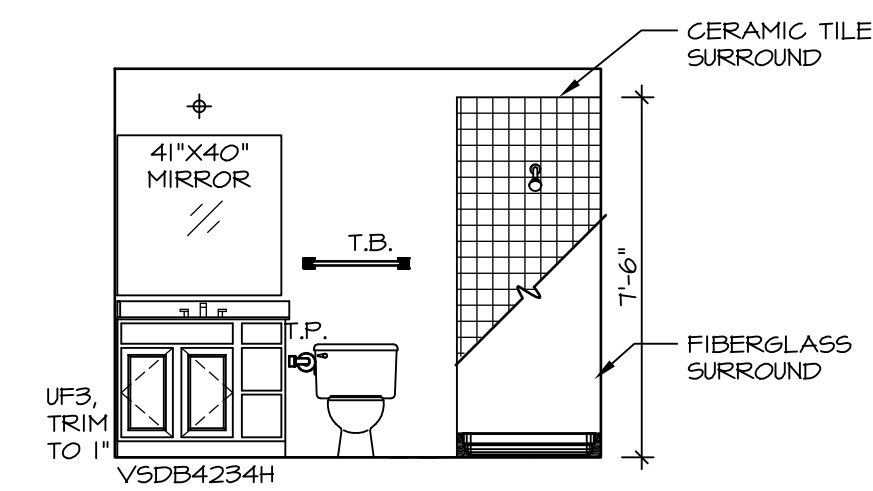
**F BATH #1**  
SCALE: 1/4" = 1'-0"



**E BATH #1**  
SCALE: 1/4" = 1'-0"

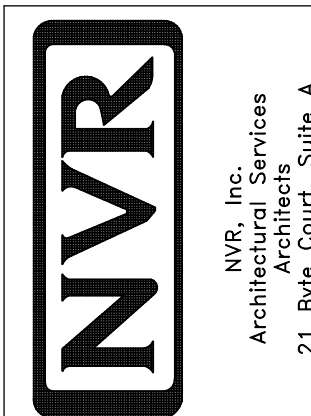


**M OWNER'S BATH (AMA)**  
SCALE: 1/4" = 1'-0"



**L OWNER'S BATH (AMA)**  
SCALE: 1/4" = 1'-0"

NVR, Inc., owner, expressly reserves its copyright in these plans. These plans are not to be reproduced, changed, copied, or otherwise used in any way without the written consent of NVR, Inc.



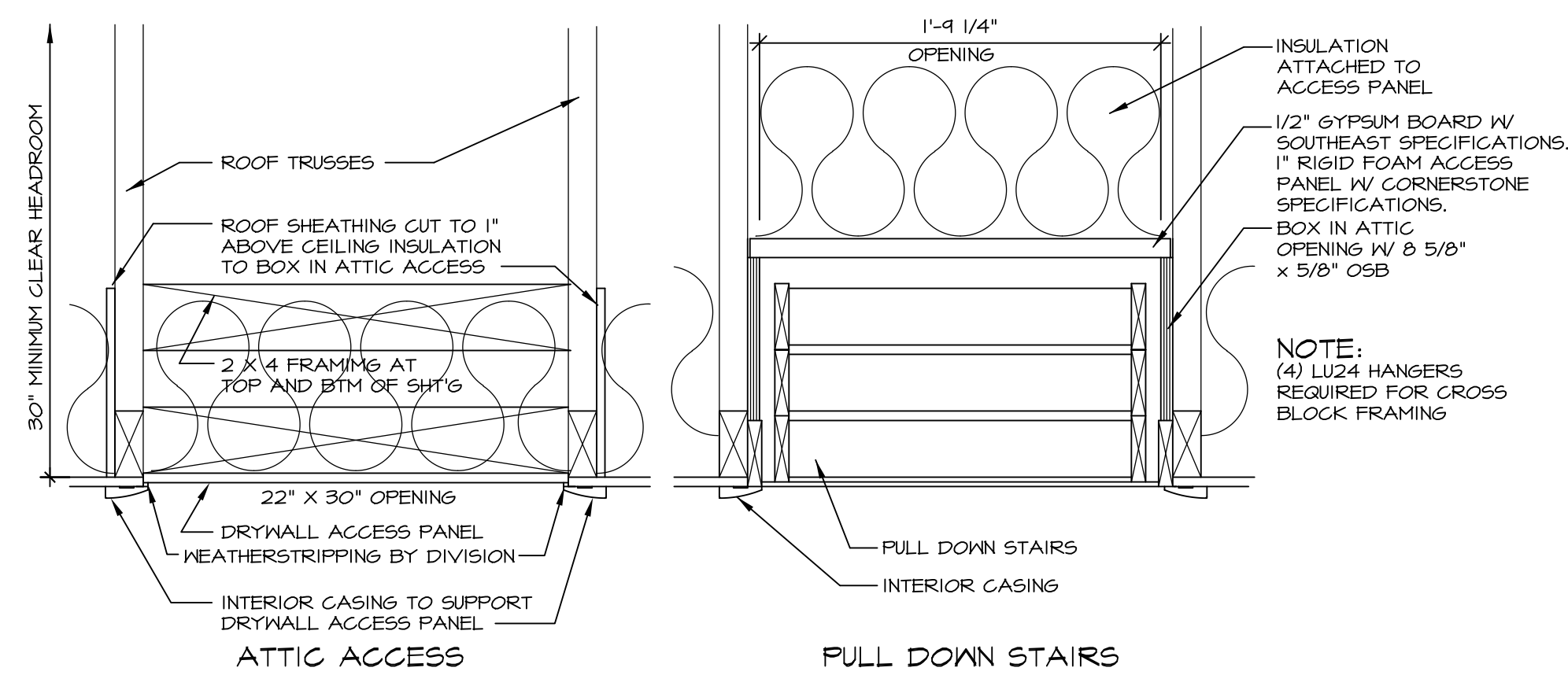
SET NO. SIECO  
VERSION 05  
DRAWN BY CSB  
DATE: 4/2/15  
OPTION

SHEET NO. **A-13**  
MODEL **SIENNA**  
DRAWING TITLE **BATH ELEVATIONS**  
OPTION DESCRIPTION

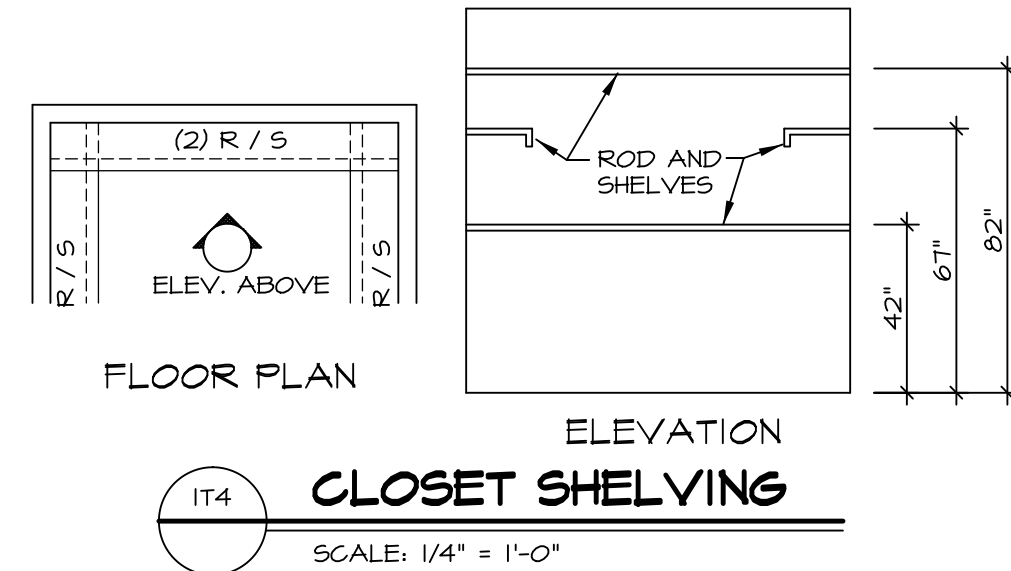
33

- NOTES:**
1. TEMPERED GLASS SHOWER ENCLOSURE WITH SLIDING DOOR OR OPTIONAL SLIDING DOOR BY DIVISION
  2. TUB ACCESS PANELS PROVIDED AS NEEDED, ALL MATERIALS BY DIVISION
  3. REFER TO SHEET D-II FOR TUB AND SHOWER DETAILS.
  4. ALL V5DB24-42 DRAWERS TO BE SET ON RIGHT HAND.
  5. BATH ELEVATIONS ARE SHOWN PER PLAN.





**IT1 ATTIC ACCESS/  
FULL-DOWN STAIRS**  
SCALE: 1-1/2" = 1'-0"

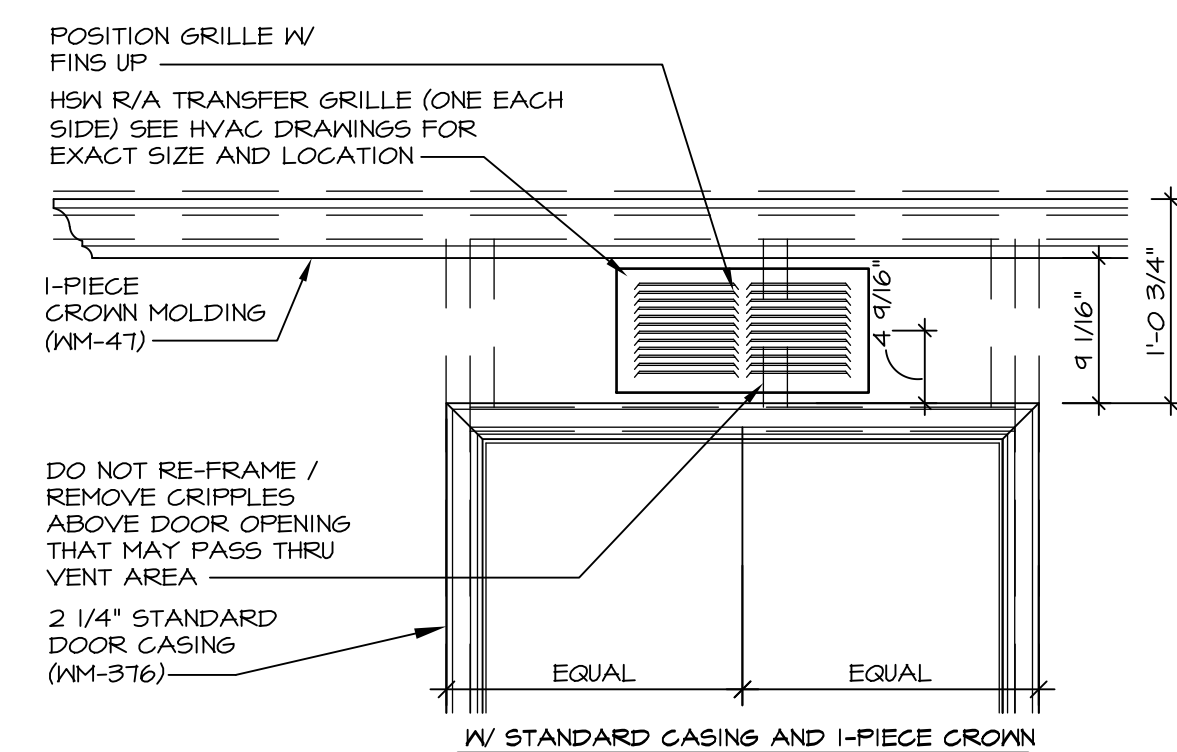


**IT4 CLOSET SHELVING**  
SCALE: 1/4" = 1'-0"

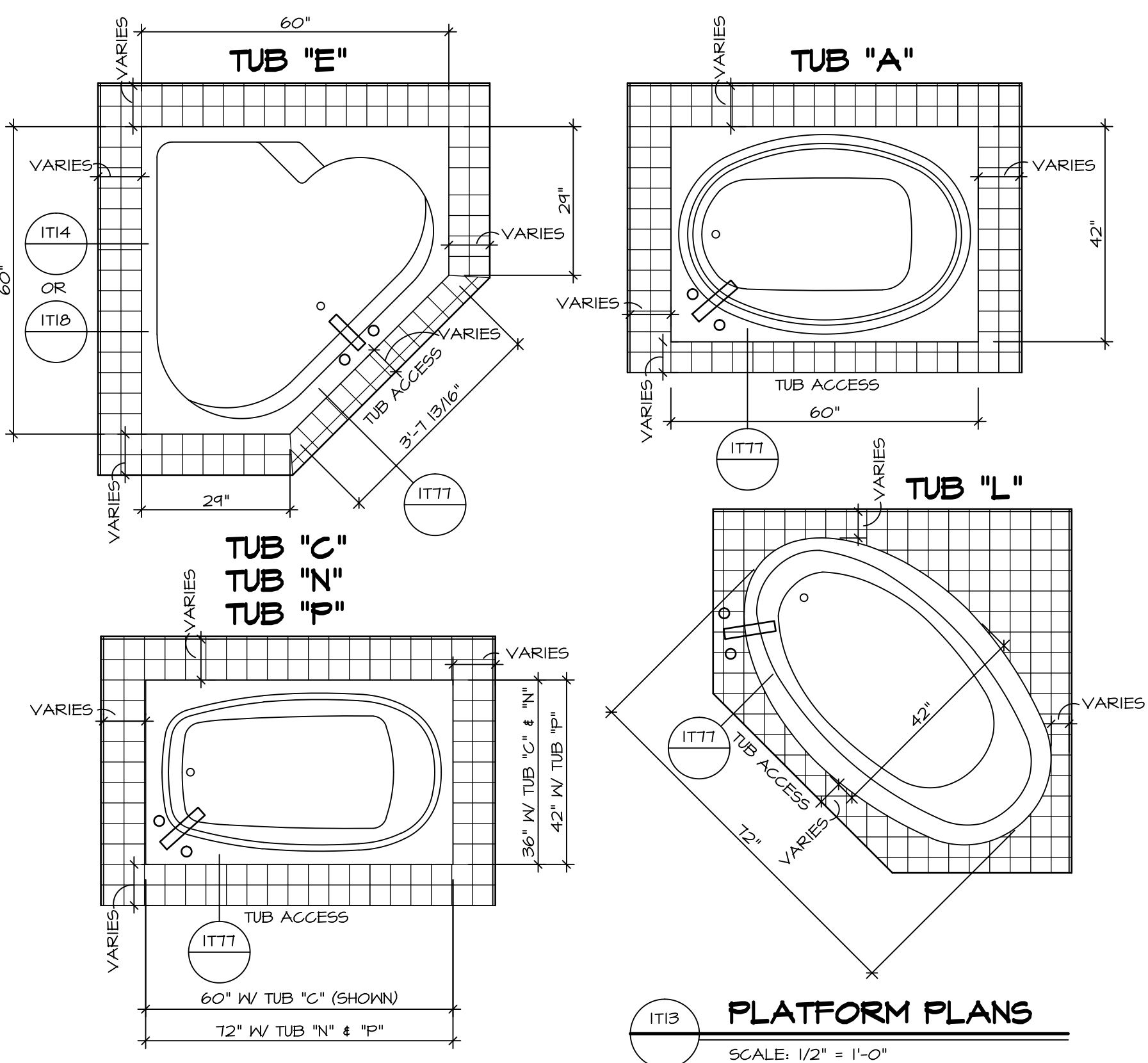
TRIM OPTIONS	OPT. ID	STD DTL	LOCATION
TRIM PACKAGE #1 "ST1" STD. SIZED CASING STD. SIZED BASE	STD	N/A	THROUGHOUT
TRIM PACKAGE #2 "ST2" STD. SIZED CASING STD. SIZED BASE SINGLE CROWN	STD	N/A	THROUGHOUT
TRIM PACKAGE #3 "ST3" 1 P.C.S. CHAIR RAIL CASED OPENINGS	TIC	IT64	DINING RM FIRST FLR
TRIM PACKAGE #4 "ST4" OVERSIZED CASING OVERSIZED BASE	STE	N/A	THROUGHOUT
TRIM PACKAGE #5 "ST5" 2 P.C.S. CROWN 2 P.C.S. CHAIR RAIL PICTURE FRAMING CASED OPENINGS	TIC	IT64	DINING RM FIRST FLR

\* DIN RM, LIV RM, FOYER, 2ND FLR HALL W/ OPEN FOYER, STUDY/LIBRARY  
 \*\* DIN RM, FOYER, STAIR, FOYER, 2ND FLR HALL W/ OPEN FOYER NOTE, CASED OPENINGS BY DESIGN  
 SPECIFIC TRIM OPTIONS MAY NOT BE AVAILABLE IN ALL HOUSES DUE TO DESIGN DIFFERENCES. FLOOR PLANS WILL SHOW AVAILABILITY AND LOCATIONS PER DESIGN

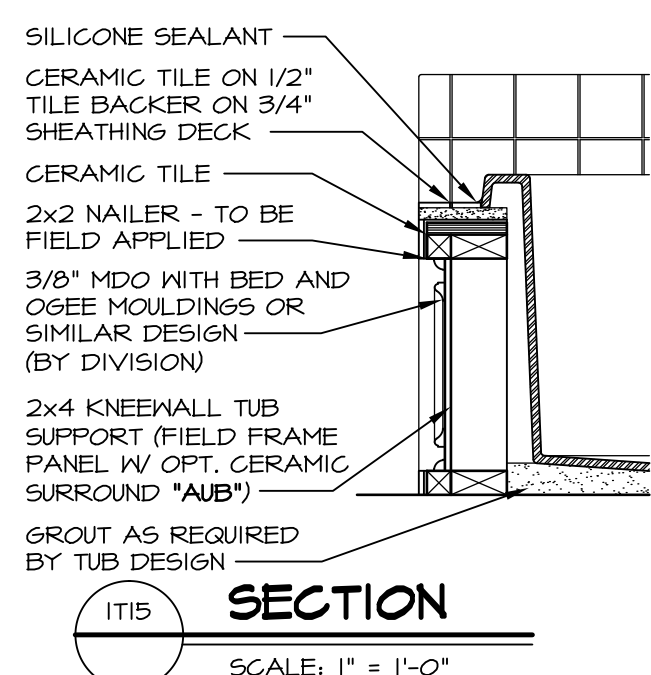
**IT6 TRIM OPTIONS**



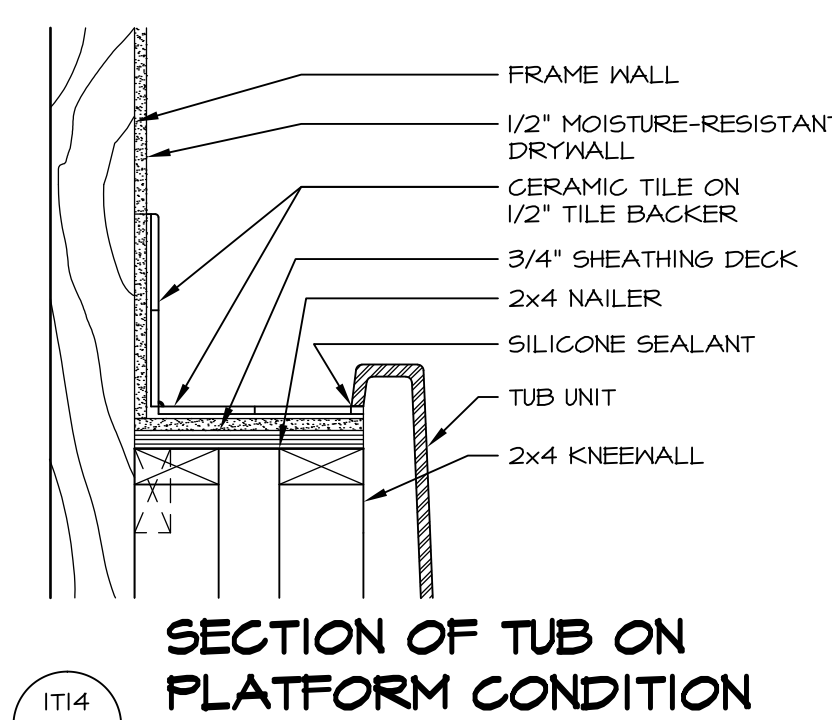
**IT9 AIR TRANSFER GRILLES**  
SCALE: 1" = 1'-0"



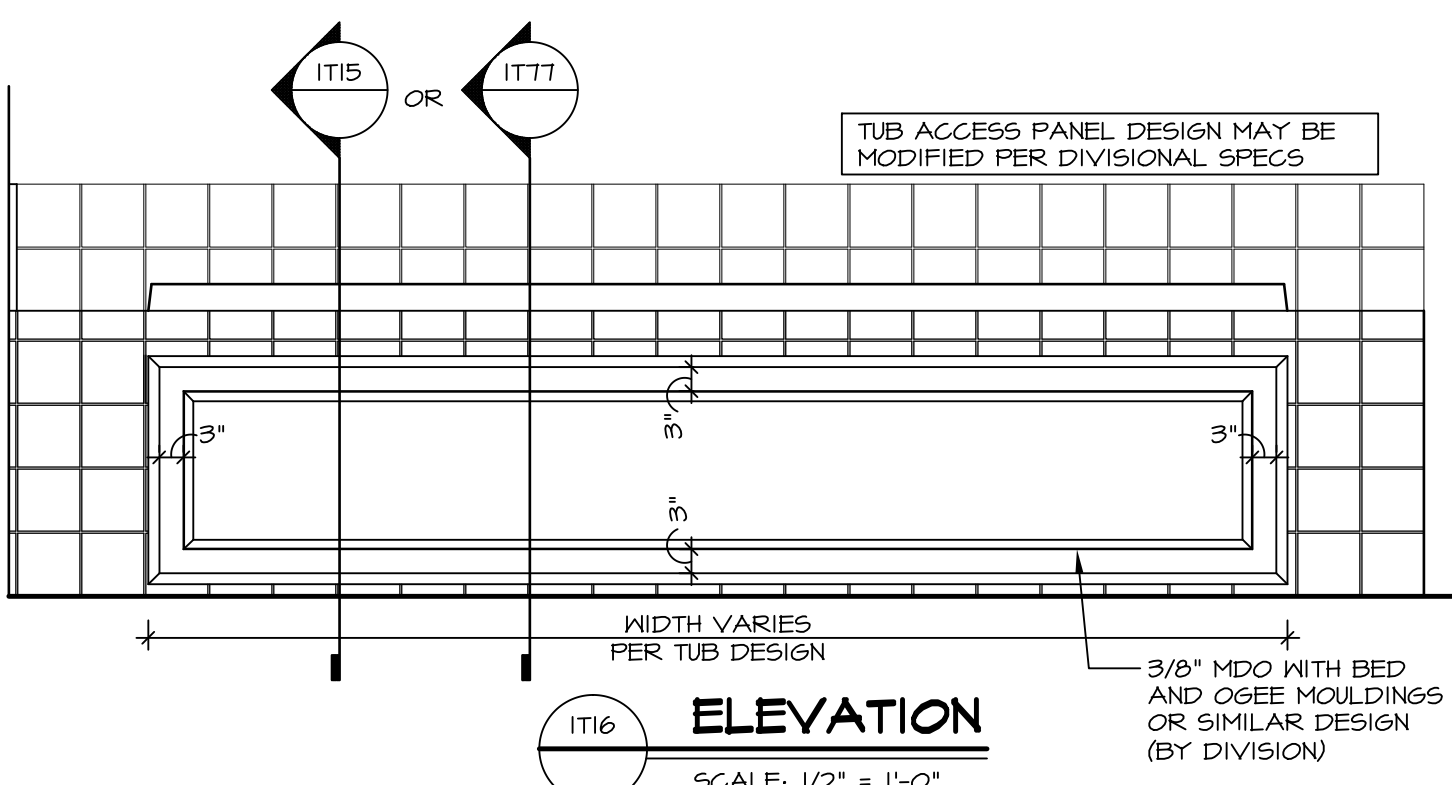
**IT13 PLATFORM PLANS**  
SCALE: 1/2" = 1'-0"



**IT15 SECTION**  
SCALE: 1" = 1'-0"

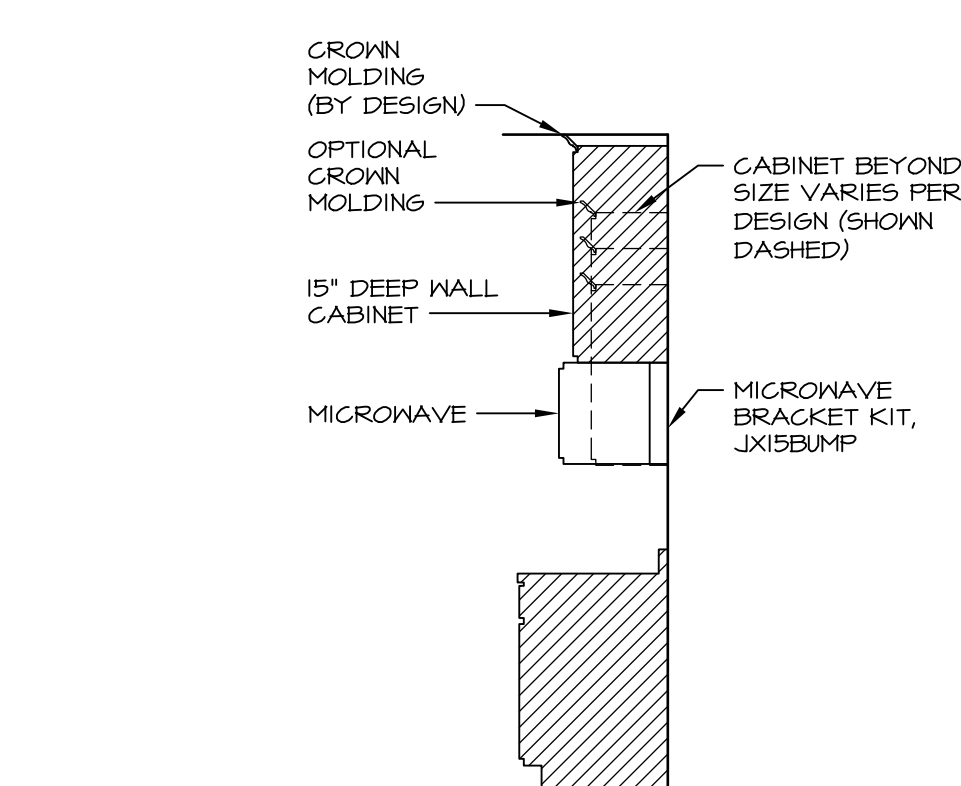


**IT14 SECTION OF TUB ON PLATFORM CONDITION**  
SCALE: 1" = 1'-0"

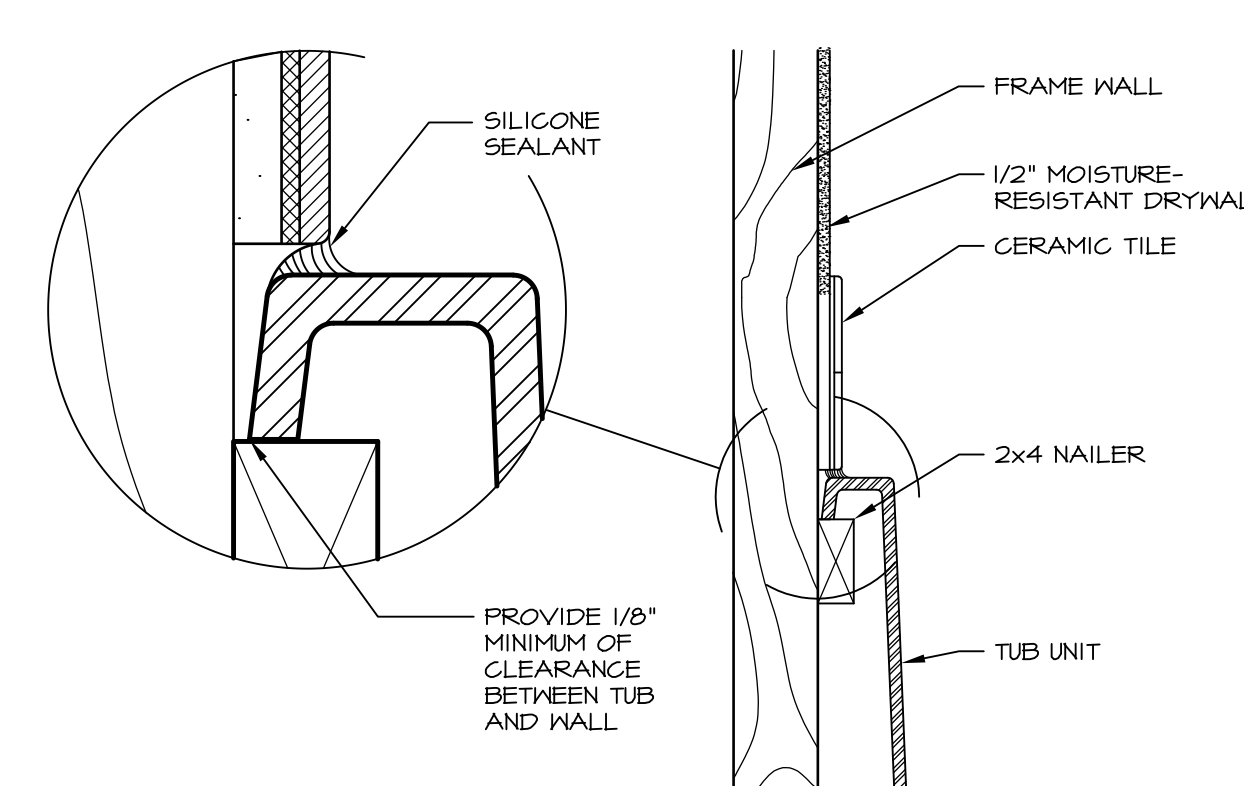


**IT16 ELEVATION**  
SCALE: 1/2" = 1'-0"

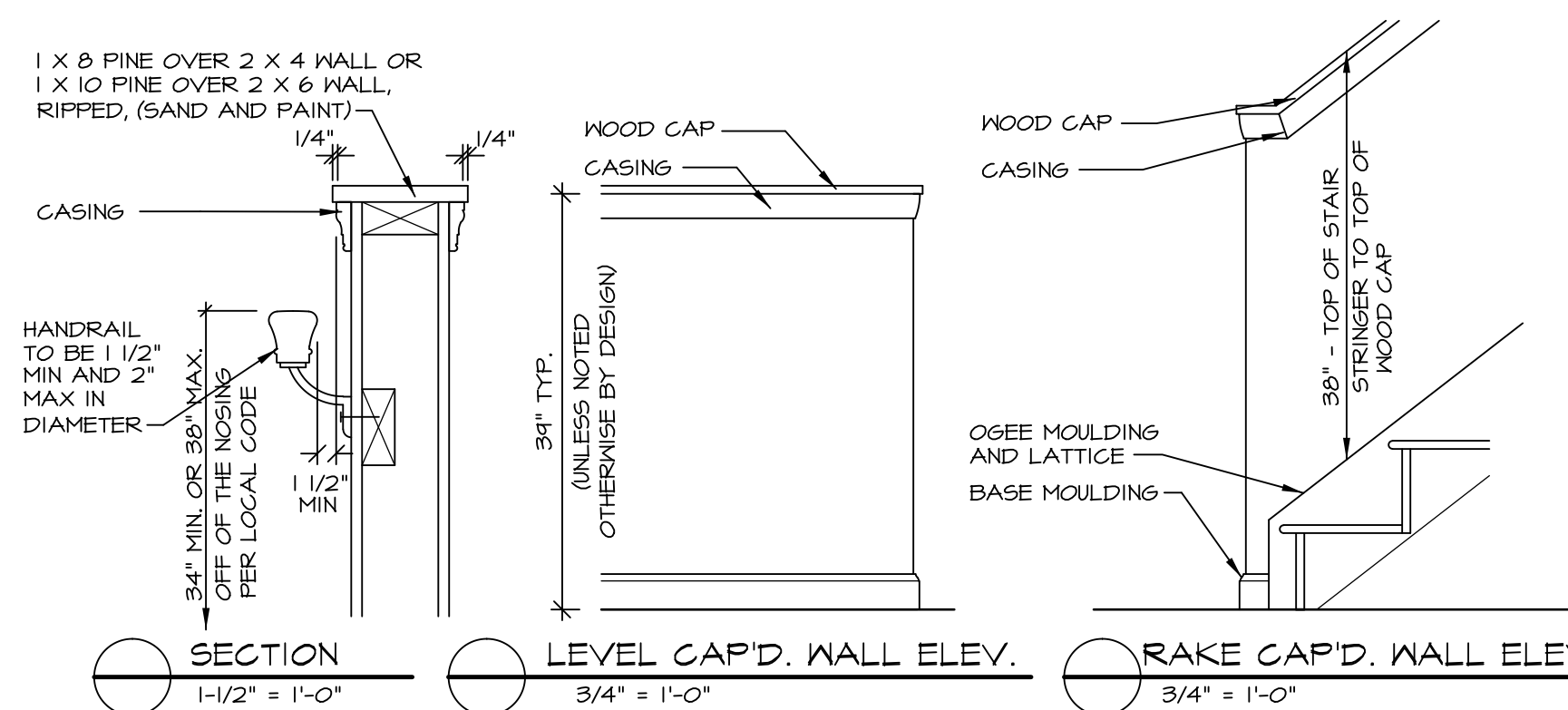
TUB	MANUF.	HEIGHT	WIDTH	LENGTH	TUB DECK PANEL HEIGHT
"A"	KOHLER/ STERLING	18 3/4"	42"	60"	17 1/8"
"C"	KOHLER/ STERLING	18 3/4"	36"	60"	17 1/8"
"E"	KOHLER/ STERLING	19 1/2"	60"	60"	17 1/8"
"L"	KOHLER/ STERLING	18 1/2"	42"	72"	16 7/8"
"N"	KOHLER/ STERLING	18 3/4"	36"	72"	17 1/8"
"P"	KOHLER/ STERLING	18 3/4"	42"	72"	17 1/8"



**IT33 CABINET TRIM DETAIL**  
SCALE: 3/8" = 1'-0"



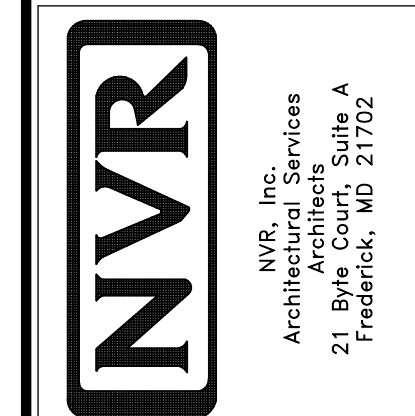
**IT18 SECTION OF TUB TO WALL CONDITION**  
SCALE: 1 1/2" = 1'-0"



**IT31 CAPPED WALL AT STAIR**  
SCALE VARIES

REV. NO. DATE  
 5/8/15 AKS - UPDATED STANDARD DETAILS

NVR, Inc., owner, expressly reserves its common law copyright and other property rights in these plans. These plans are not to be copied, reproduced, or otherwise used in any way without the prior written consent of NVR, Inc.



SET NO. SIECO  
 VERSION 05  
 DRAWN BY NGB  
 DATE: 1/27/15  
 OPTION

MODEL  
**SIENNA**  
 DRAWING TITLE  
 STANDARD DETAILS - INTERIOR TRIM  
 OPTION DESCRIPTION

SHEET NO.  
**D-11**  
 64