

LVL PLY TO PLY FASTENING SCHEDULE:

- 1.A - (2) PLY UP TO AND INCLUDING II 7/8" TALL; FASTEN PLYS W/ (2) ROWS 16D NAILS AT 12" O.C.
- 2.A - (2) PLY 14" TO AND 18" TALL (INCLUSIVE); FASTEN PLYS W/ (3) ROWS 16D NAILS AT 12" O.C.
- 3.A - (2) PLY 20" TALL AND OVER; FASTEN PLYS W/ (4) ROWS 16D NAILS AT 12" O.C.
- 4.A - (3) PLY UP TO AND INCLUDING II 7/8" TALL; FASTEN PLYS W/ (2) ROWS 16D NAILS AT 12" O.C. FROM EACH SIDE
- 5.A - (3) PLY 14" TO AND 18" TALL (INCLUSIVE); FASTEN PLYS W/ (3) ROWS 16D NAILS AT 12" O.C. FROM EACH SIDE
- 6.A - (3) PLY 20" TALL AND OVER; FASTEN PLYS W/ (4) ROWS 16D NAILS AT 12" O.C. FROM EACH SIDE

FOUNDATION BEAM/HEADER SCHEDULE

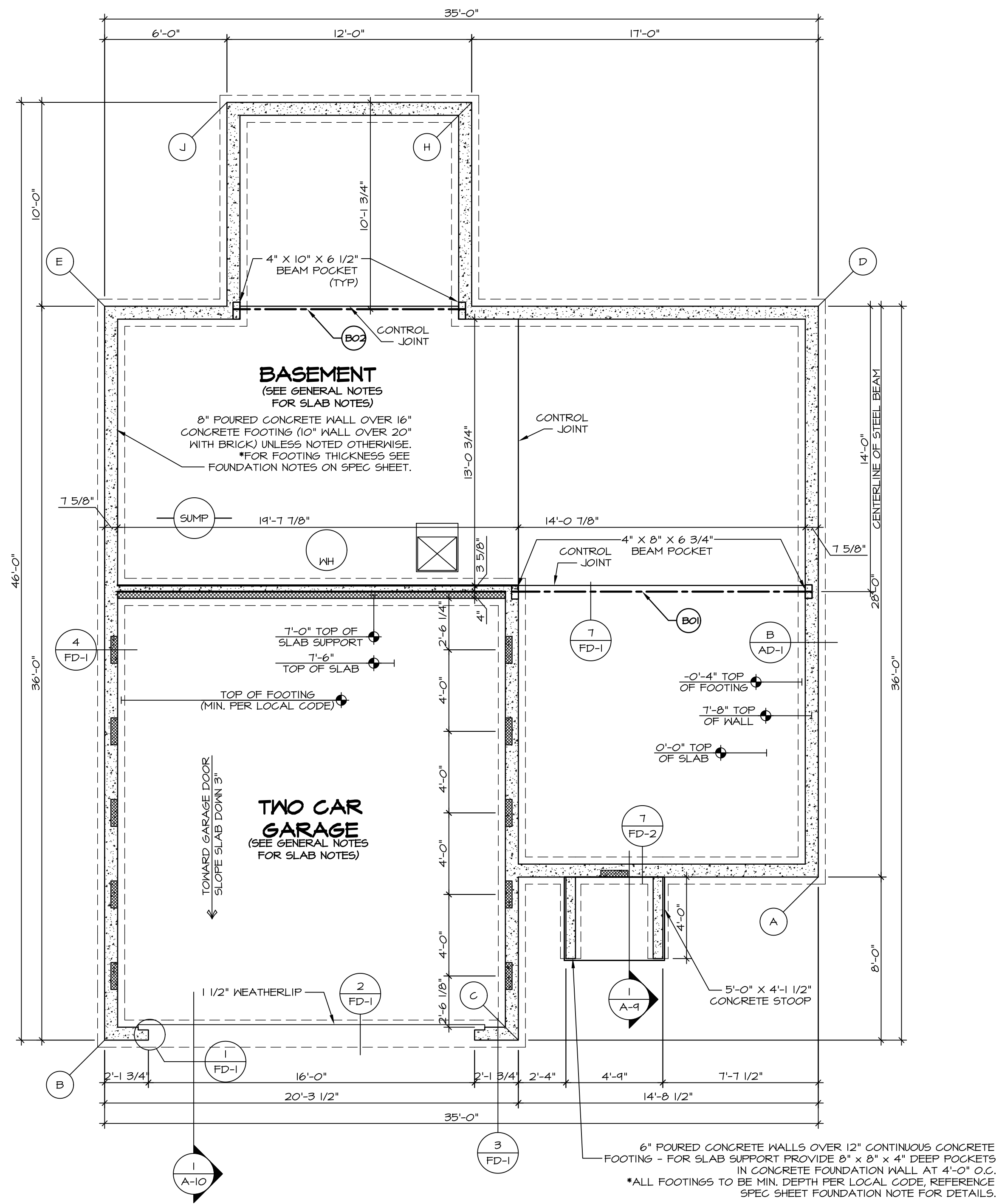
IDENTIFIER	DESCRIPTION	LENGTH	OPTIONS	ENG. NUM.	REMARKS
BO1	BEAM STEEL - W8X21	14'-7 7/8"		001	
BO2	BEAM STEEL - W8X13	11'-3 3/4"	MAA	005	

PAD FOOTING SCHEDULE

IDENTIFIER	LENGTH	WIDTH	HEIGHT	OPTIONS	ENG. NUM.
FD-1					
FD-2					

BASEMENT JACK SCHEDULE

IDENTIFIER	DESCRIPTION	OPTIONS	ENG. NUM.	FIELD INSTALLED
J-1				
J-2				



FOUNDATION PLAN
SCALE: 1/4" = 1'-0"

LEGEND

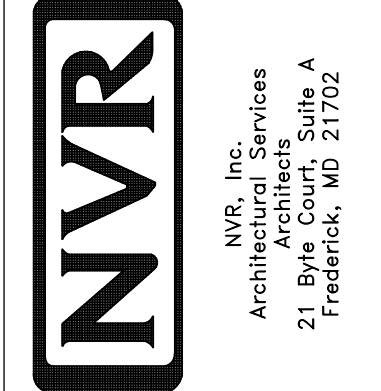
- BEARING WALL
- - - NON BEARING WALL
- ⊗ INDICATES BEARING FROM POINT-LOAD ABOVE
- J JACKS
- B BEAM/HEADER
- F PAD FOOTING
- C STEEL COLUMN
- X PORTAL FRAME
- X JOIST/TRUSS
- L LVL
- ENGINEERING PAGE NUMBER

SEE FC DETAILS FOR FRAMING CONNECTORS

FOUNDATION NOTES - BASEMENT

1. FOUNDATION UNDER HABITABLE SPACE:
 - 1.1. CONCRETE SLAB ON 6 MIL VAPOR BARRIER OVER SUB-BASE (SEE SPEC SHEET FOR SLAB NOTES)
 2. SLAB UNDER GARAGE:
 - 2.1. UNEXCAVATED WITH CONCRETE SLAB ON VAPOR BARRIER OVER SUB-BASE (SEE SPEC SHEET FOR SLAB NOTES)
3. SEE SHEET (A-4) FOR FOUNDATION CONNECTION INFORMATION.
4. OPTIONAL EGRESS WINDOW - LOCATION MAY VARY DUE TO GRADE OR OPTIONS ABOVE WINDOW WELL REQUIRED W/ CERTAIN GRADE CONDITIONS (SEE SPEC SHEET FOR ADDITIONAL INFO.)
5. SLAB LEDGE LOCATIONS VARY W/ GRADE BEAM(S) ORIENTATION. SEE GB-1 FOR DETAILS.

NVR, Inc., owner, expressly reserves its copyright in these plans. These plans are not to be reproduced, changed, copied, or otherwise used in any way without the written consent of NVR, Inc.



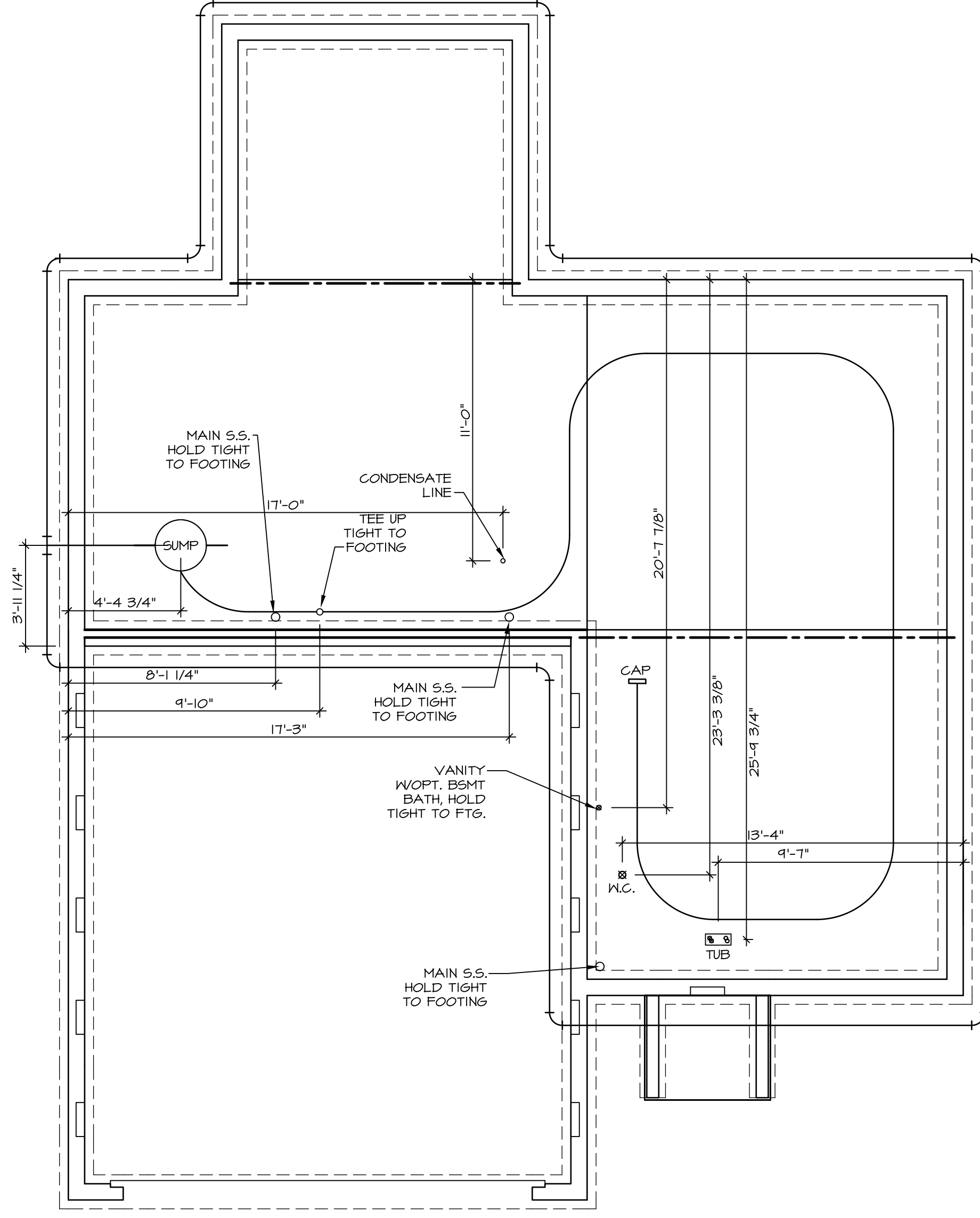
SET NO. SIECO
VERSION 05
DRAWN BY
DATE: 2/2/2015
OPTION

MODEL: SIENNA
DRAWING TITLE: FOUNDATION PLAN
OPTION DESCRIPTION

SHEET NO. A-2
13

FOUNDATION DIAGONALS

A		B	
A	0"	A	35'-10 21/32"
B	35'-10 21/32"	B	0"
C	16'-8 24/32"	C	20'-3 1/2"
D	28'-0"	D	50'-2 1/2"
E	44'-9 7/8"	E	36'-0"
H	41'-7 9/16"	H	44'-4 3/4"
J	47'-4 5/8"	J	46'-4 11/16"



1
A-5 **PLUMBING PLAN**
SCALE: 1/4" = 1'-0"

SHEET NO. A-5	MODEL SIENNA	SET NO. SIECO VERSION 05
OPTION DESCRIPTION 20	DRAWING TITLE PLUMBING PLAN	DRAWN BY DATE: 2/2/2015
		OPTION

NVR
NVR, Inc.
Architectural Services
Architects
21 Bay View, Suite A
Frederick, MD 21702

NVR, Inc., owner, expressly reserves its copyright in these plans. These plans are not to be reproduced, changed, adapted, copied, or otherwise used in any way without the prior written consent of NVR, Inc.

REV. NO.	DATE	REMARKS

LEGEND

	BEARING WALL
	NON BEARING WALL
	INDICATES BEARING FROM POINT-LOAD ABOVE
	JACKS
	BEAM/HEADER
	PAD FOOTING
	STEEL COLUMN
	PORTAL FRAME
	JOIST/TRUSS
	LVL
	ENGINEERING PAGE NUMBER

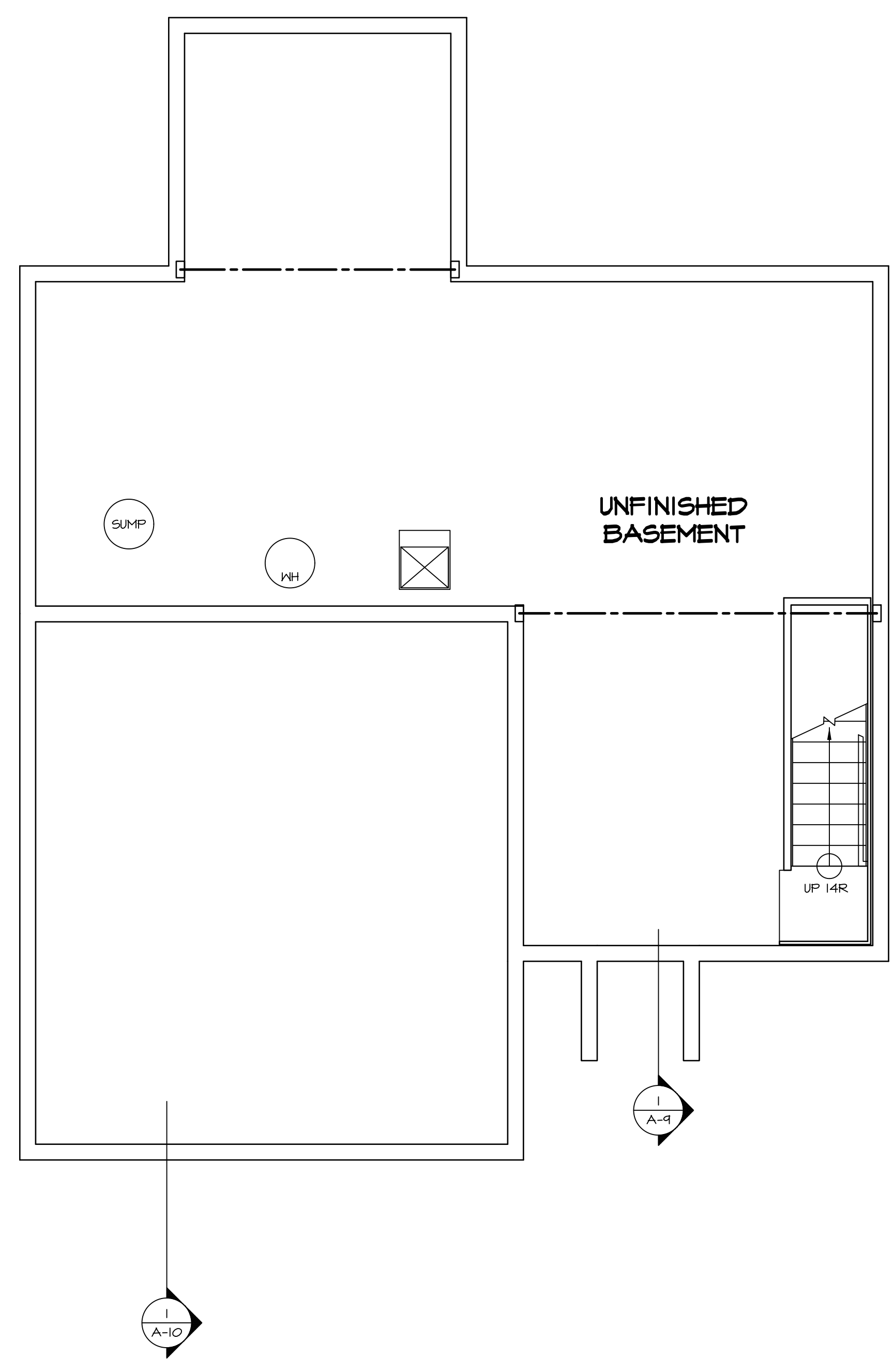
SEE FC DETAILS FOR FRAMING CONNECTORS

- FLOOR PLAN NOTES**
- ALL HEADERS ARE (2) 2x6 w/ 2x4 WALLS OR (3) 2x6 w/ 2x6 WALLS, UNLESS OTHERWISE NOTED.
 - ALL HEADERS TO HAVE (1) 2x4 OR 2x6 JACK EACH END, UNLESS OTHERWISE NOTED.
 - ALL EXTERIOR WALLS TO BE 4" AND ALL INTERIOR WALLS TO BE 3 1/2", UNLESS OTHERWISE NOTED.
 - HATCHED AREAS INDICATE DROPPED CEILING. ALL DROPPED CEILING ARE 12" UNLESS OTHERWISE NOTED.
 - SEE "BRACED WALL PANEL DETAIL SHEET" FOR SPECIAL WALL FRAMING LOCATIONS AND HEADER SIZES, IF APPLICABLE.
 - SEE STANDARD DETAIL CATEGORY "IT" SHEET(S) FOR INTERIOR TRIM DETAILS.
 - SEE ARCHITECTURAL DETAIL SHEET "AD" FOR HOUSE SPECIFIC INTERIOR TRIM OPTION TABLE.
 - ALL WINDOWS HAVE T-O 1/2" HEADER HEIGHT UNLESS OTHERWISE NOTED.

GYPSUM NOTES

AT GARAGE:
GYPSUM BOARD AT COMMON WALLS, CEILING, BEAM WRAPS AND SUPPORTS PER STANDARD DETAIL FA-(b) FIRE ASSEMBLIES OR AS REQUIRED BY LOCAL CODE.

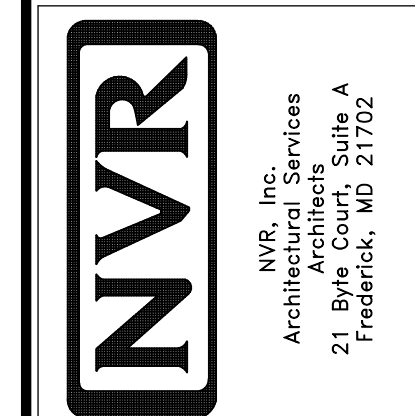
AT STAIRS:
1/2" GYPSUM BOARD AT UNDERSIDE OF STAIRS AND WALLS IN CLOSET

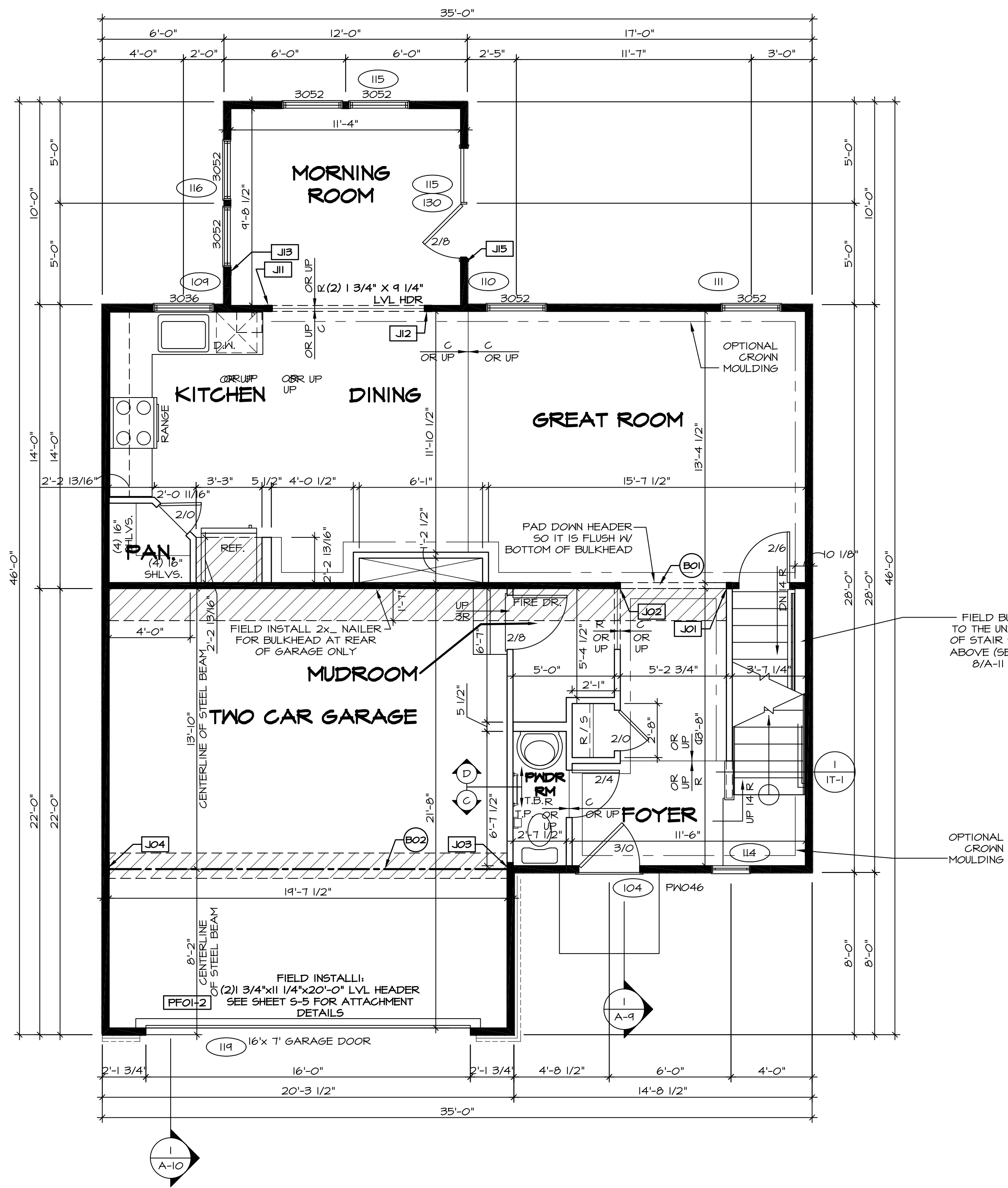


BASEMENT FLOOR PLAN
SCALE: 1/4" = 1'-0"

SHEET NO. A-6	MODEL SIENNA	SET NO. SIECO	REV. NO. 1	DATE 08/05/16	REMARKS
		VERSION 05	DATE 2/2/2015	OPTION	
	DRAWING TITLE BASEMENT FLOOR PLAN	DRAWN BY			
	OPTION DESCRIPTION				
	23				

NVR, Inc., owner, expressly reserves its copyright in these plans. These plans are not to be reproduced, changed, adapted, or otherwise used in any way without the prior written consent of NVR, Inc.





FIRST FLOOR PLAN
SCALE: 1/4" = 1'-0"

LEGEND

- BEARING WALL
- - - NON BEARING WALL
- ⊗ INDICATES BEARING FROM POINT-LOAD ABOVE
- J JACKS
- B BEAM/HEADER
- F PAD FOOTING
- C STEEL COLUMN
- X PORTAL FRAME
- X JOIST/TRUSS
- L LVL
- ENGINEERING PAGE NUMBER

SEE FC DETAILS FOR FRAMING CONNECTORS

- FLOOR PLAN NOTES**
- ALL HEADERS ARE (2) 2x6 w/ 2x4 WALLS OR (3) 2x6 w/ 2x6 WALLS, UNLESS OTHERWISE NOTED.
 - ALL HEADERS TO HAVE (1) 2x4 OR 2x6 JACK EACH END, UNLESS OTHERWISE NOTED.
 - ALL EXTERIOR WALLS TO BE 4" AND ALL INTERIOR WALLS TO BE 3 1/2", UNLESS OTHERWISE NOTED.
 - HATCHED AREAS INDICATE DROPPED CEILING. ALL DROPPED CEILING ARE 12" UNLESS OTHERWISE NOTED.
 - SEE BRACED WALL PANEL DETAIL SHEET FOR SPECIAL WALL FRAMING LOCATIONS AND HEADER SIZES, IF APPLICABLE.
 - SEE STANDARD DETAIL CATEGORY "IT" SHEET(S) FOR INTERIOR TRIM DETAILS.
 - SEE ARCHITECTURAL DETAIL SHEET "AD" FOR HOUSE SPECIFIC INTERIOR TRIM OPTION TABLE.
 - ALL WINDOWS HAVE 7'-0 1/2" HEADER HEIGHT UNLESS OTHERWISE NOTED.
- GYPSUM NOTES**
- AT GARAGE:
GYPSUM BOARD AT COMMON WALLS, CEILING, BEAM WRAPS AND SUPPORTS PER STANDARD DETAIL FA-1(b) FIRE ASSEMBLY OR AS REQUIRED BY LOCAL CODE.
- AT STAIRS:
1/2" GYPSUM BOARD AT UNDERSIDE OF STAIRS AND WALLS IN CLOSET

FIRST FLOOR JACK SCHEDULE

IDENTIFIER	DESCRIPTION	OPTIONS	ENG. NUM.	FIELD INSTALLED
J01	JACK - (2) 2X4 SFF STUD GRADE		103	
J02	JACK - (2) 2X4 SFF STUD GRADE		103	
J03	JACK - (5) 2X4 SFF#1	GCB / GCC	105	
J04	JACK - (5) 2X4 SFF#1	GCB / GCC	105	
J11	JACK - (3) 2X4 SFF STUD GRADE	MAA	103	
J12	JACK - (3) 2X4 SFF STUD GRADE	MAA	103	
J13	JACK - (3) 2X4 SFF STUD GRADE	MAA / SRW	116	
J15	JACK - (3) 2X4 SFF STUD GRADE	MAA / SRW	116	

- LVL PLY TO PLY FASTENING SCHEDULE:**
- 1A - (2) PLY UP TO AND INCLUDING 11 7/8" TALL; FASTEN PLYS W/ (2) ROWS 16D NAILS AT 12" O.C.
 - 2A - (2) PLY 14" TO AND 18" TALL (INCLUSIVE); FASTEN PLYS W/ (3) ROWS 16D NAILS AT 12" O.C.
 - 3A - (2) PLY 20" TALL AND OVER; FASTEN PLYS W/ (4) ROWS 16D NAILS AT 12" O.C.
 - 4A - (3) PLY UP TO AND INCLUDING 11 7/8" TALL; FASTEN PLYS W/ (2) ROWS 16D NAILS AT 12" O.C. FROM EACH SIDE
 - 5A - (3) PLY 14" TO AND 18" TALL (INCLUSIVE); FASTEN PLYS W/ (3) ROWS 16D NAILS AT 12" O.C. FROM EACH SIDE
 - 6A - (3) PLY 20" TALL AND OVER; FASTEN PLYS W/ (4) ROWS 16D NAILS AT 12" O.C. FROM EACH SIDE

FIELD INSTALLED FIRST FLOOR BEAM/HEADER SCHEDULE

IDENTIFIER	DESCRIPTION	LENGTH	OPTIONS	ENG. NUM.	REMARKS
B01	INT HEADER - 2X8 - 2 PLY	5'-8 3/4"		103	
B02	BEAM STEEL - W12X26	20'-2"	SRI / SXS / FBA / FCA	105	
FF01-2	LVL - 11-04	20'-0"	GCB	111	PORTAL FRAME, 2 PLY, 1A

REMARKS

REV. NO. DATE DESCRIPTION

1 08/05/16 N.E. - DRAWING ALIGNMENT

NVR, Inc., owner, expressly reserves its common law copyright in these plans. These plans are not to be reproduced, changed, copied in any way, or otherwise used without the written consent of NVR, Inc.

NVR
Architectural Services
21 Park Plaza, Suite A
Frederick, MD 21702

SET NO. SIECO VERSION 05
DRAWN BY
DATE: 2/2/2015
OPTION

MODEL SIENNA
DRAWING TITLE FIRST FLOOR PLAN
OPTION DESCRIPTION

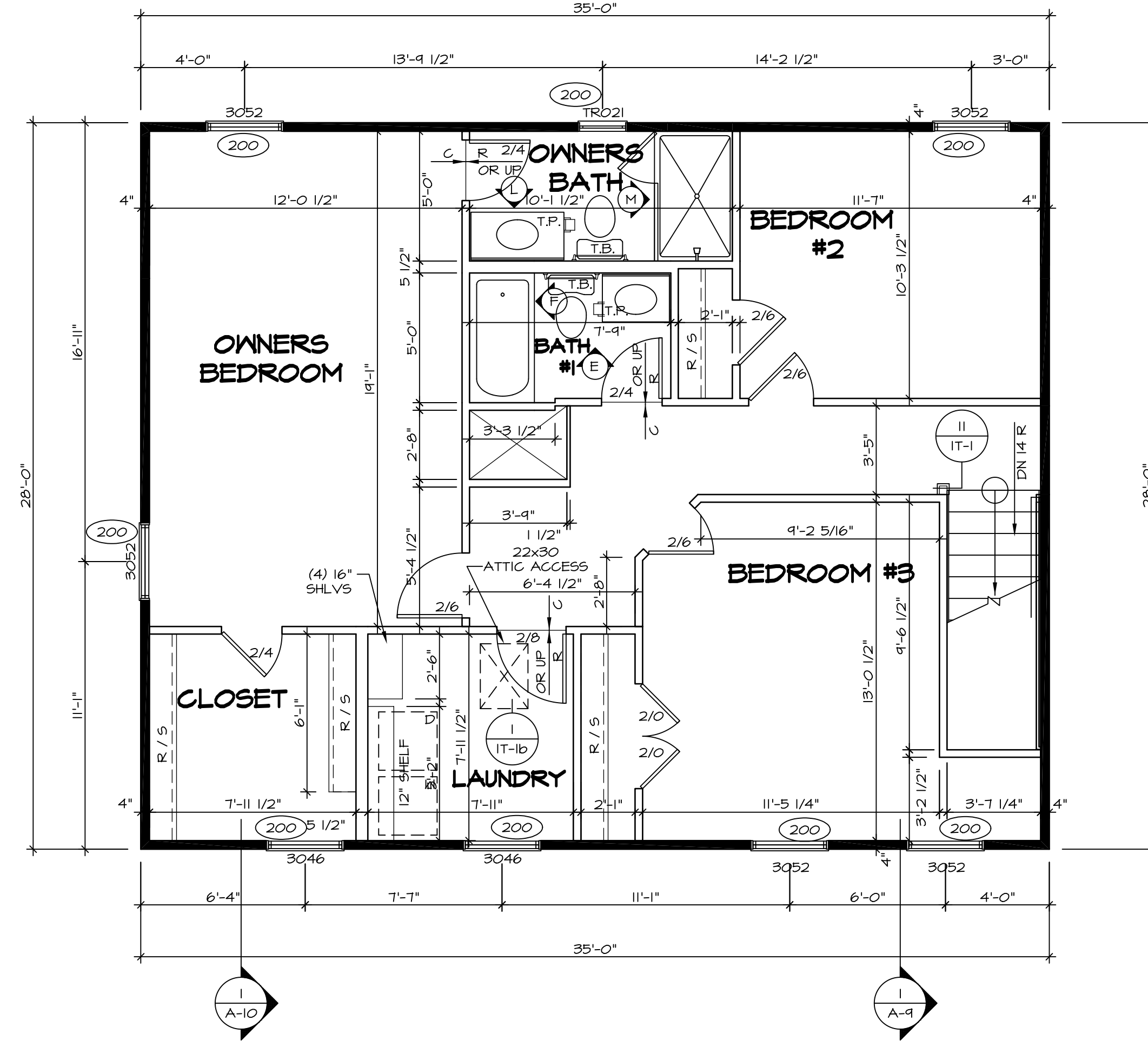
SHEET NO. A-7
24

C:\NVR\Solves\SIENNA_SIECO_05\DC1-VG-L55\428517\Sheets\Lot_Spec\16_24_A-7_Plan_L5.dwg 05/12/17 - 4:08 pm

LEGEND	
	BEARING WALL
	NON BEARING WALL
	INDICATES BEARING FROM POINT-LOAD ABOVE
	JACKS
	BEAM/HEADER
	PAD FOOTING
	STEEL COLUMN
	PORTAL FRAME
	JOIST/TRUSS
	LVL
	ENGINEERING PAGE NUMBER
SEE FC DETAILS FOR FRAMING CONNECTORS	

FLOOR PLAN NOTES

- ALL HEADERS ARE (2) 2x6 w/ 2x4 WALLS OR (3) 2x6 w/ 2x6 WALLS, UNLESS OTHERWISE NOTED.
- ALL HEADERS TO HAVE (1) 2x4 OR 2x6 JACK EACH END, UNLESS OTHERWISE NOTED.
- ALL EXTERIOR WALLS TO BE 4" AND ALL INTERIOR WALLS TO BE 3 1/2", UNLESS OTHERWISE NOTED.
- HATCHED AREAS INDICATE DROPPED CEILINGS. ALL DROPPED CEILINGS ARE 12" UNLESS OTHERWISE NOTED.
- SEE "BRACED WALL PANEL DETAIL SHEET" FOR SPECIAL WALL FRAMING LOCATIONS AND HEADER SIZES, IF APPLICABLE.
- SEE STANDARD DETAIL CATEGORY "IT" SHEET(S) FOR INTERIOR TRIM DETAILS.
- SEE ARCHITECTURAL DETAIL SHEET "AD" FOR HOUSE SPECIFIC INTERIOR TRIM OPTION TABLE.
- ALL WINDOWS HAVE 7'-0 1/2" HEADER HEIGHT UNLESS OTHERWISE NOTED.



1 SECOND FLOOR PLAN
SCALE: 1/4" = 1'-0"

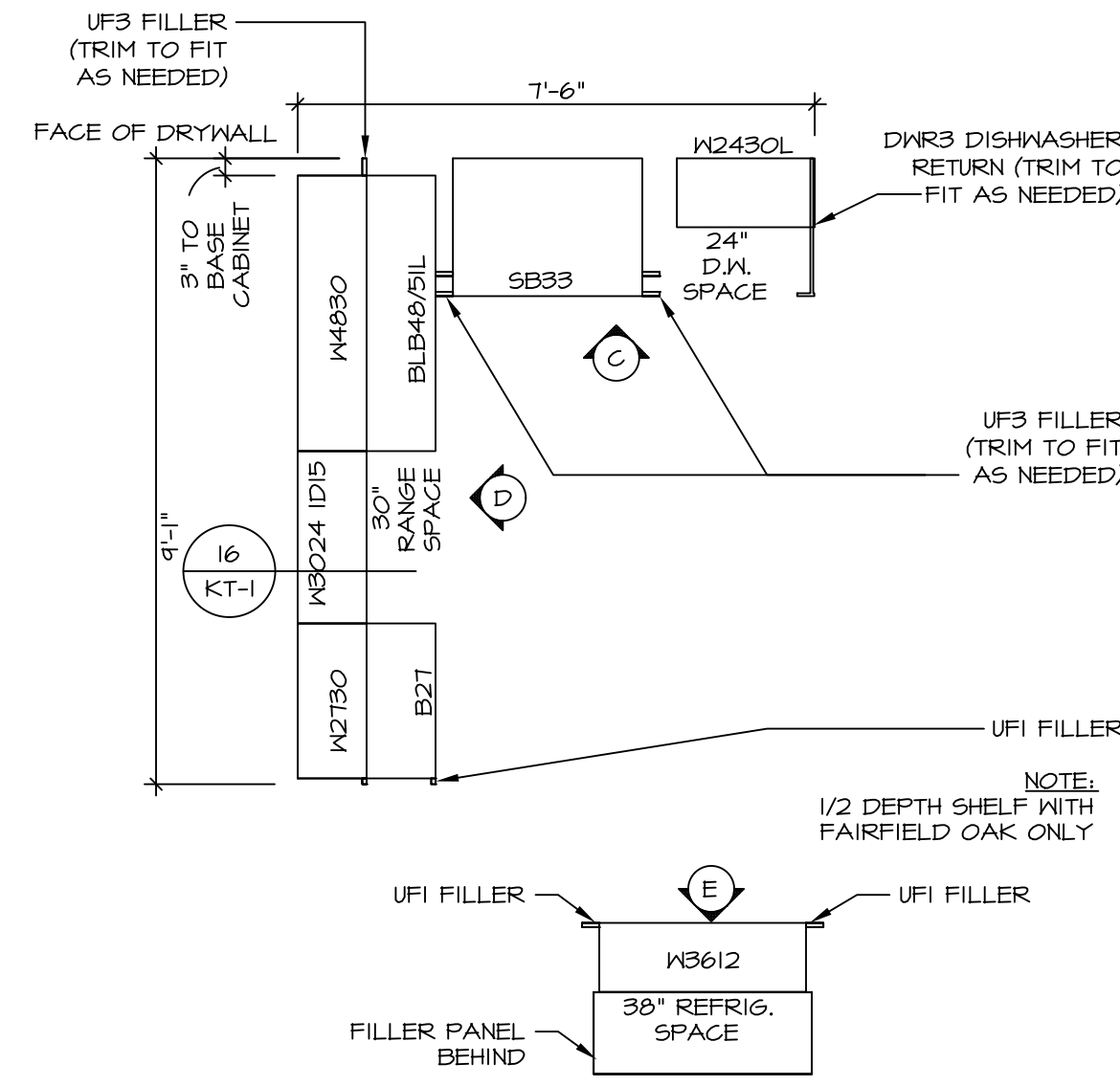
REV. NO.	DATE	REMARKS
1	08/05/16	N.E. - DRAWING ALIGNMENT

NVR, Inc., owner, expressly reserves its copyright in these plans. These plans are not to be reproduced, changed, copied, or otherwise used in any way without the written consent of NVR, Inc.

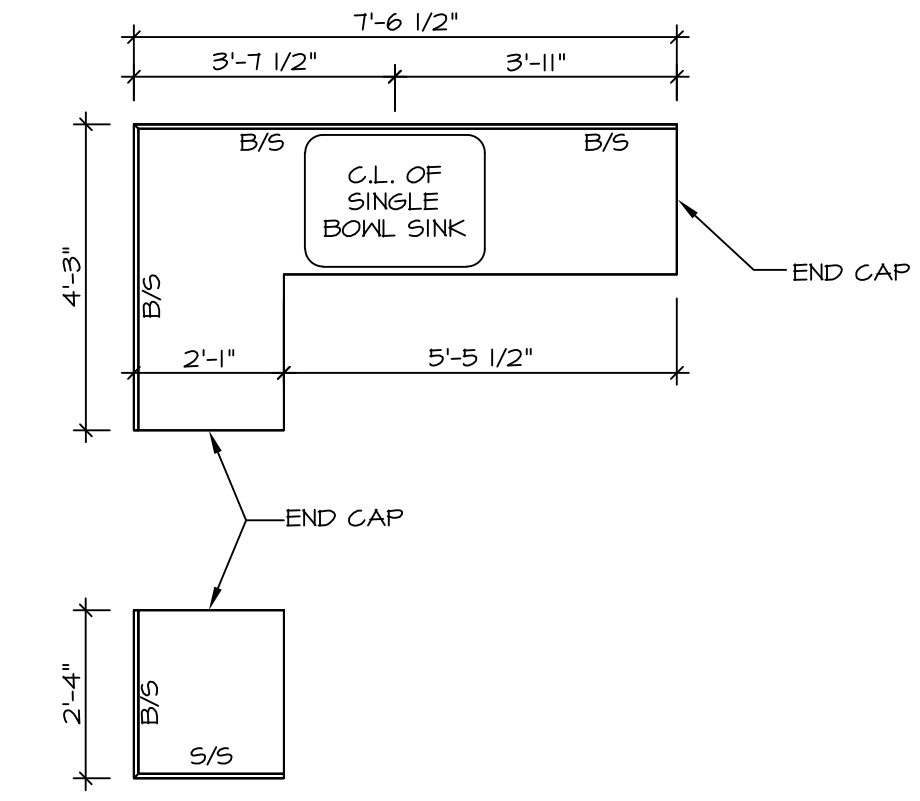


SET NO. SIECO	VERSION 05
DRAWN BY	DATE: 2/2/2015
OPTION	OPTION

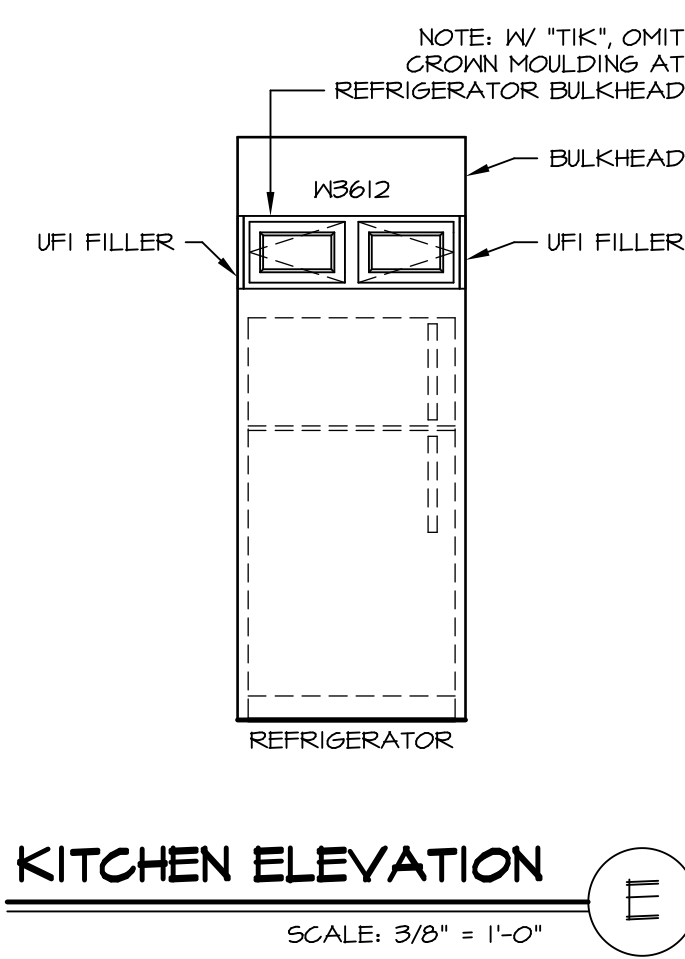
MODEL	SIENNA
DRAWING TITLE	SECOND FLOOR PLAN
OPTION DESCRIPTION	
SHEET NO.	A-8
	26



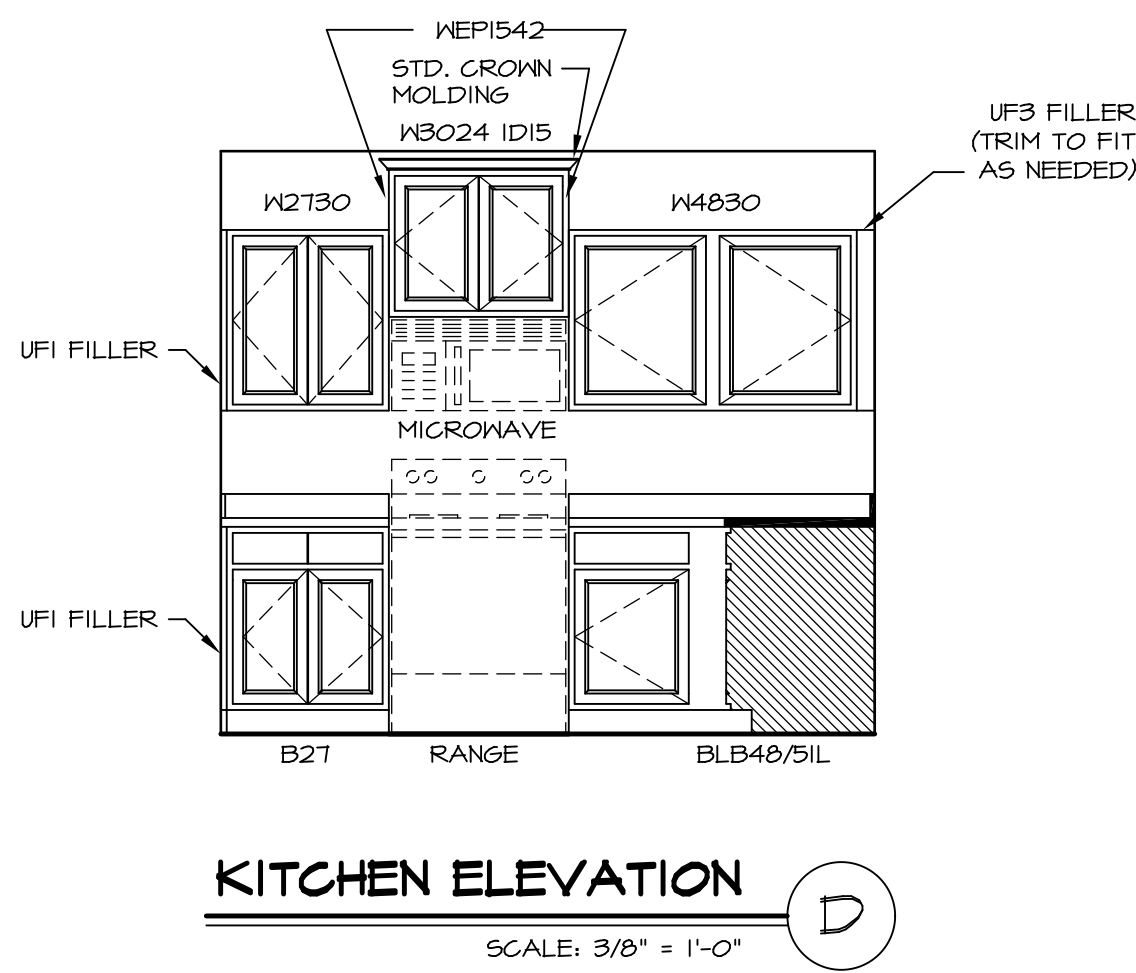
CABINET PLAN - KC-1924
 STANDARD KITCHEN w/
 30" WALL CABINETS
 SCALE: 3/8" = 1'-0"
 1
 A-12



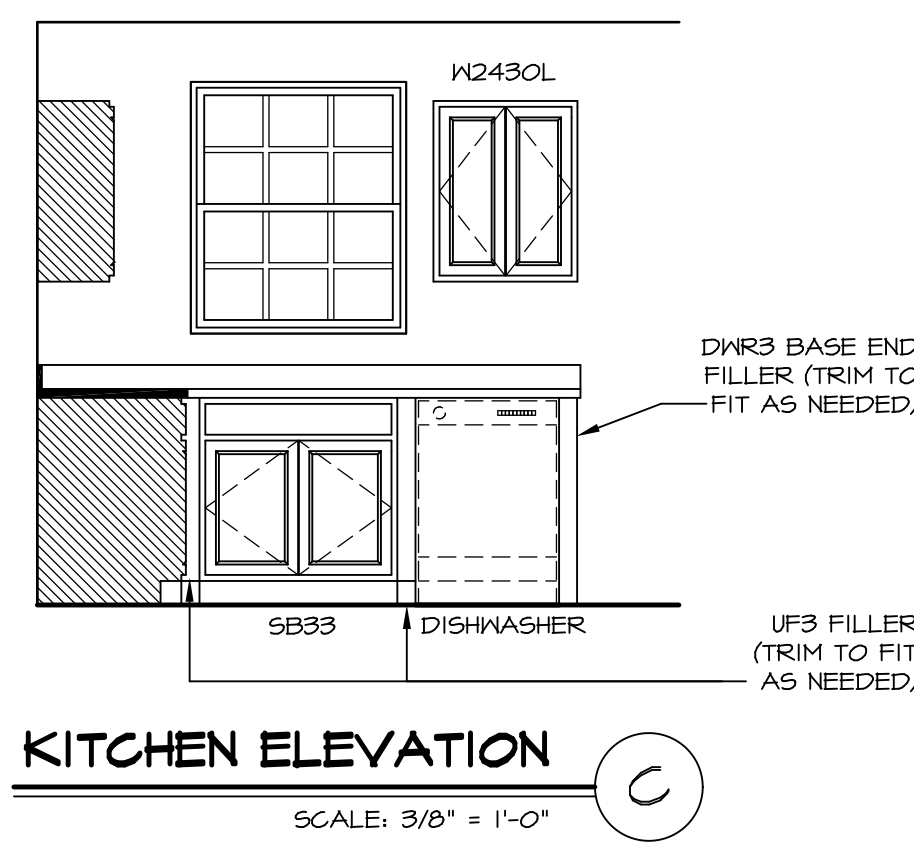
COUNTERTOP PLAN - KT-1924
 STANDARD KITCHEN w/
 30" WALL CABINETS
 SCALE: 3/8" = 1'-0"
 3
 A-12



KITCHEN ELEVATION E
 SCALE: 3/8" = 1'-0"



KITCHEN ELEVATION D
 SCALE: 3/8" = 1'-0"

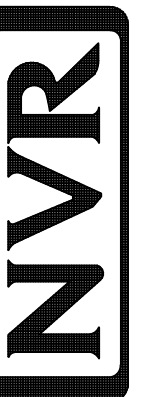


KITCHEN ELEVATION C
 SCALE: 3/8" = 1'-0"

REMARKS

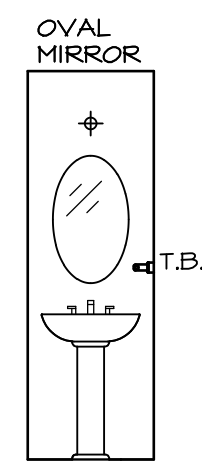
REV. NO. DATE

NVR, Inc., owner, expressly reserves its common law copyright in these architectural plans. These plans are not to be reproduced, copied, or otherwise used without the written consent of NVR, Inc. If any changes or modifications are made to these plans, the user shall be responsible for obtaining the written consent of NVR, Inc.



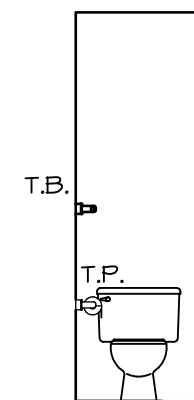
NVR, Inc.
 Architectural Services
 Architects
 21 Bay Street, Suite A
 Frederick, MD 21702

MODEL	SIENNA
DRAWING TITLE	KITCHENS
OPTION DESCRIPTION	
SHEET NO.	A-12
SET NO.	SIECO
VERSION	05
DRAWN BY	
DATE	2/2/2015
OPTION	

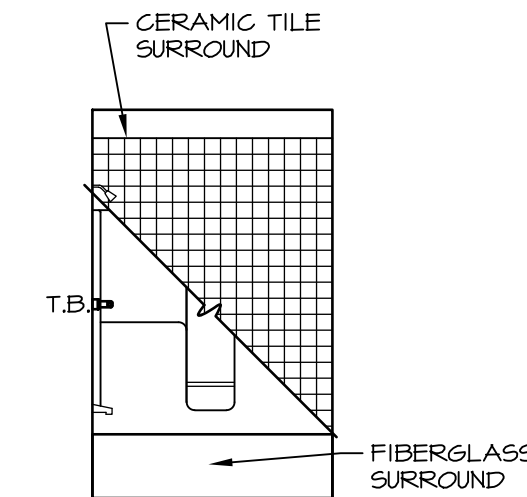


PEDESTAL SINK BY DIVISION

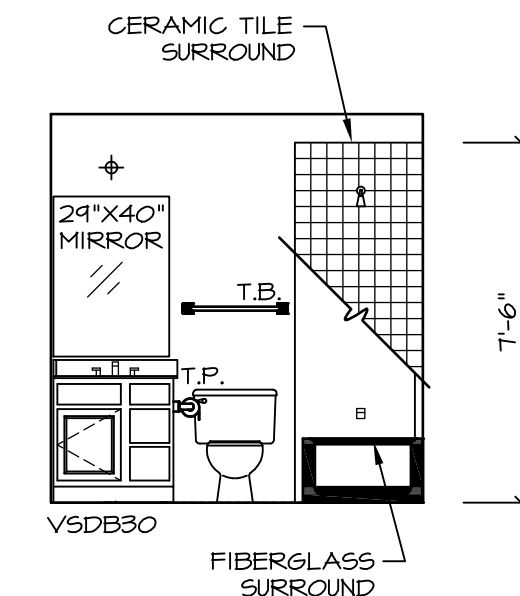
D POWDER ROOM
SCALE: 1/4" = 1'-0"



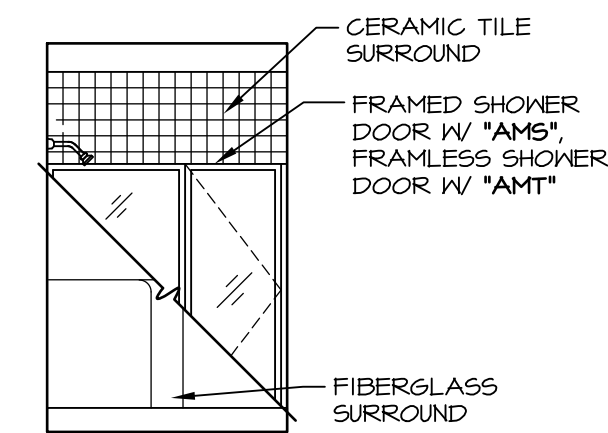
C POWDER ROOM
SCALE: 1/4" = 1'-0"



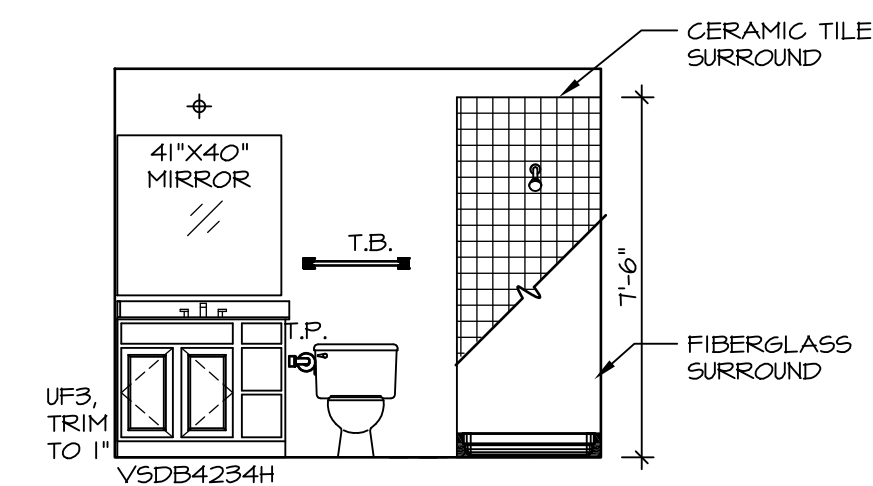
F BATH #1
SCALE: 1/4" = 1'-0"



E BATH #1
SCALE: 1/4" = 1'-0"



M OWNER'S BATH (AMA)
SCALE: 1/4" = 1'-0"

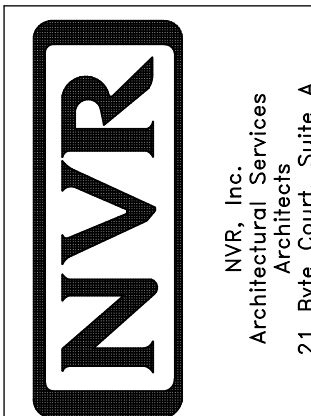


L OWNER'S BATH (AMA)
SCALE: 1/4" = 1'-0"

NOTES:

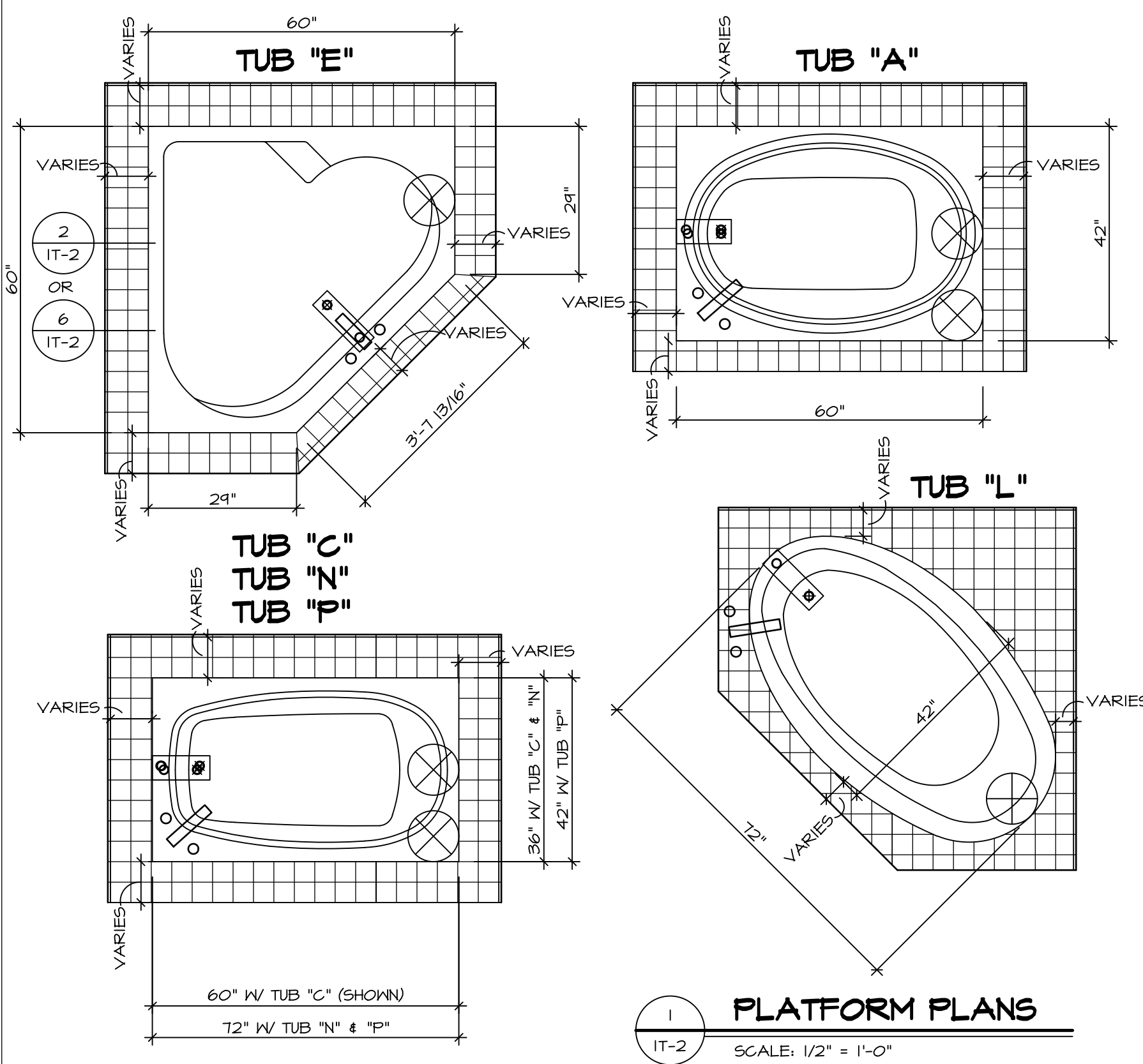
1. TEMPERED GLASS SHOWER ENCLOSURE WITH SWING DOOR OR OPTIONAL SLIDING DOOR BY DIVISION
2. TUB ACCESS PANELS PROVIDED AS NEEDED, ALL MATERIALS BY DIVISION
3. REFER TO SHEET D-II FOR TUB AND SHOWER DETAILS.
4. ALL V5DB24-42 DRAWERS TO BE SET ON RIGHT HAND.
5. BATH ELEVATIONS ARE SHOWN PER PLAN.

SHEET NO.	MODEL	SET NO.	VERSION	DRAWN BY	DATE	OPTION
A-13	SIENNA BATH ELEVATIONS	05	05	CSB	4/2/15	OPTION
33						



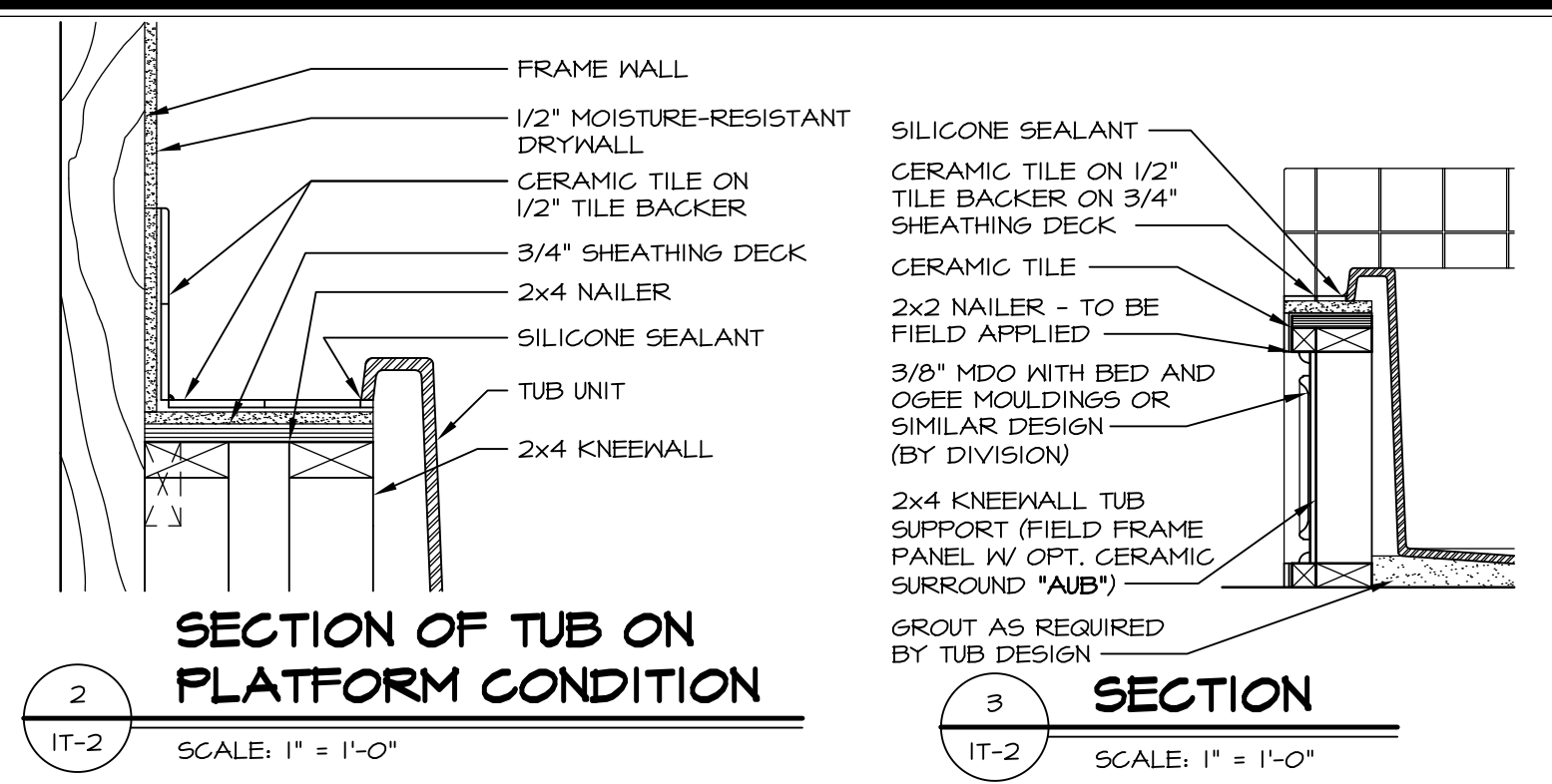
NVR, Inc., owner, expressly reserves its copyright in these plans. These plans are not to be reproduced, changed, copied, or otherwise used in any way without the prior written consent of NVR, Inc.

REV. NO.	DATE	REMARKS
1	08/05/16	N.L. - DRAWING ALIGNMENT

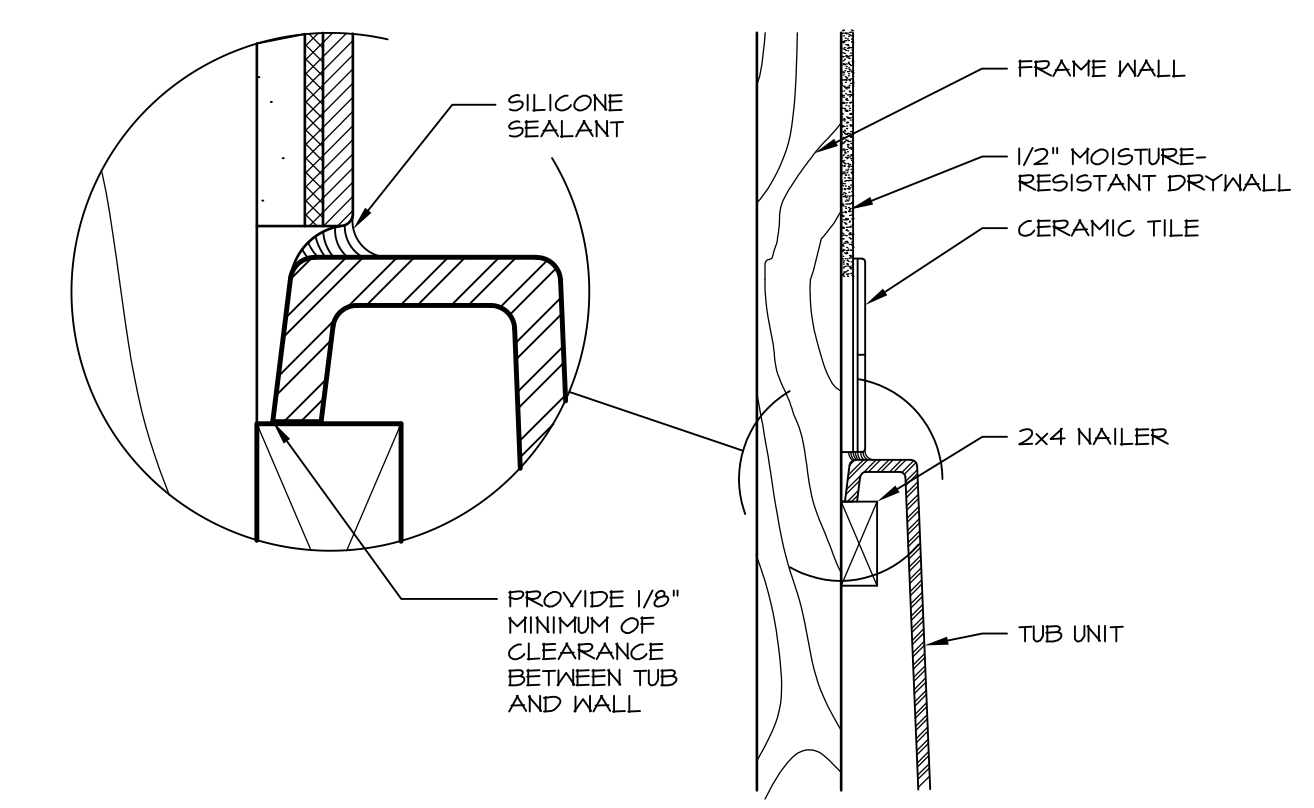


1 PLATFORM PLANS
SCALE: 1/2" = 1'-0"

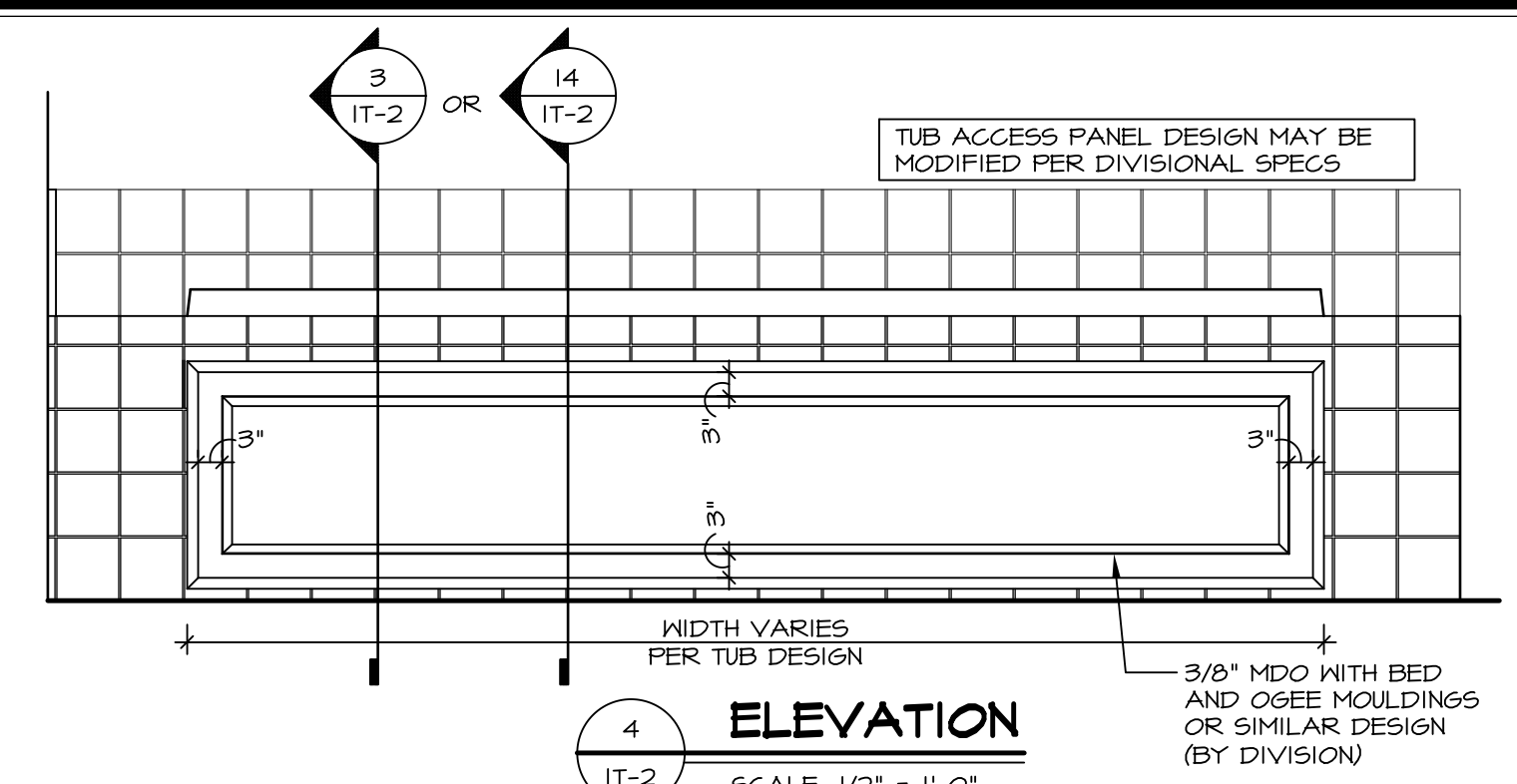
TUB	MANUF.	HEIGHT	WIDTH	LENGTH	TUB DECK PANEL HEIGHT
"A"	KOHLER/STERLING	18 3/4"	42"	60"	17 1/8"
"C"	KOHLER/STERLING	18 3/4"	36"	60"	17 1/8"
"E"	KOHLER/STERLING	19 1/2"	60"	60"	17 7/8"
"L"	KOHLER/STERLING	18 1/2"	42"	72"	16 7/8"
"N"	KOHLER/STERLING	18 3/4"	36"	72"	17 1/8"
"P"	KOHLER/STERLING	18 3/4"	42"	72"	17 1/8"



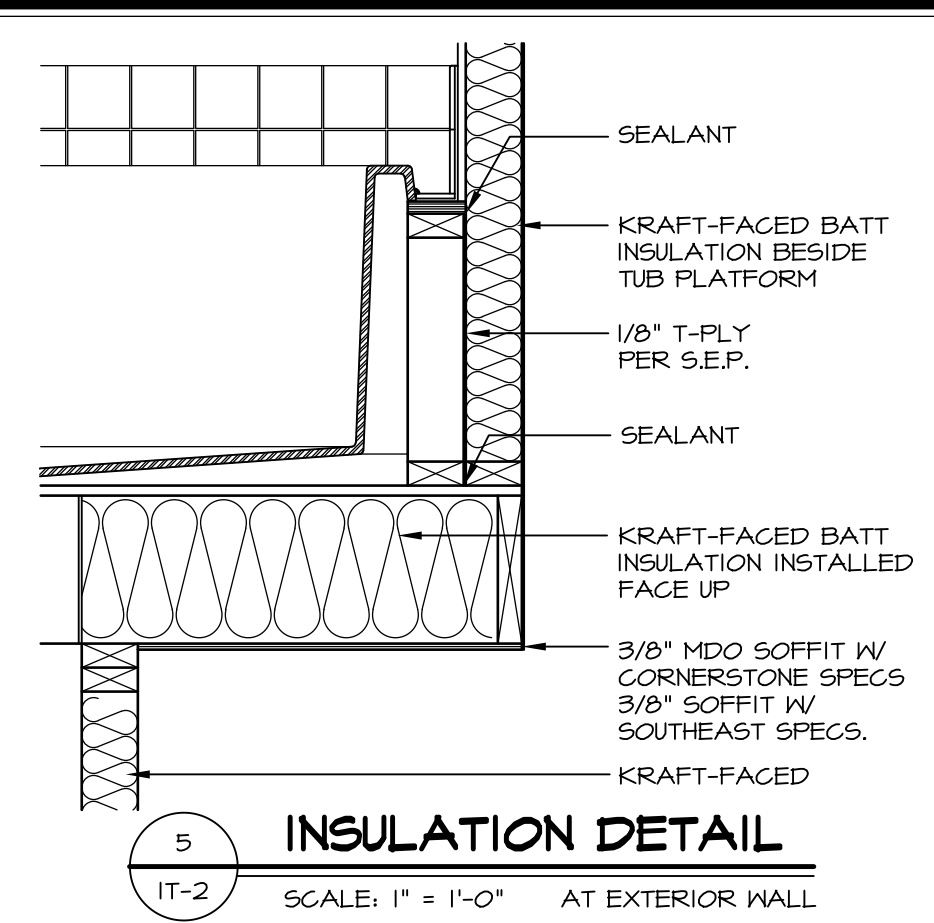
2 SECTION OF TUB ON PLATFORM CONDITION
SCALE: 1" = 1'-0"



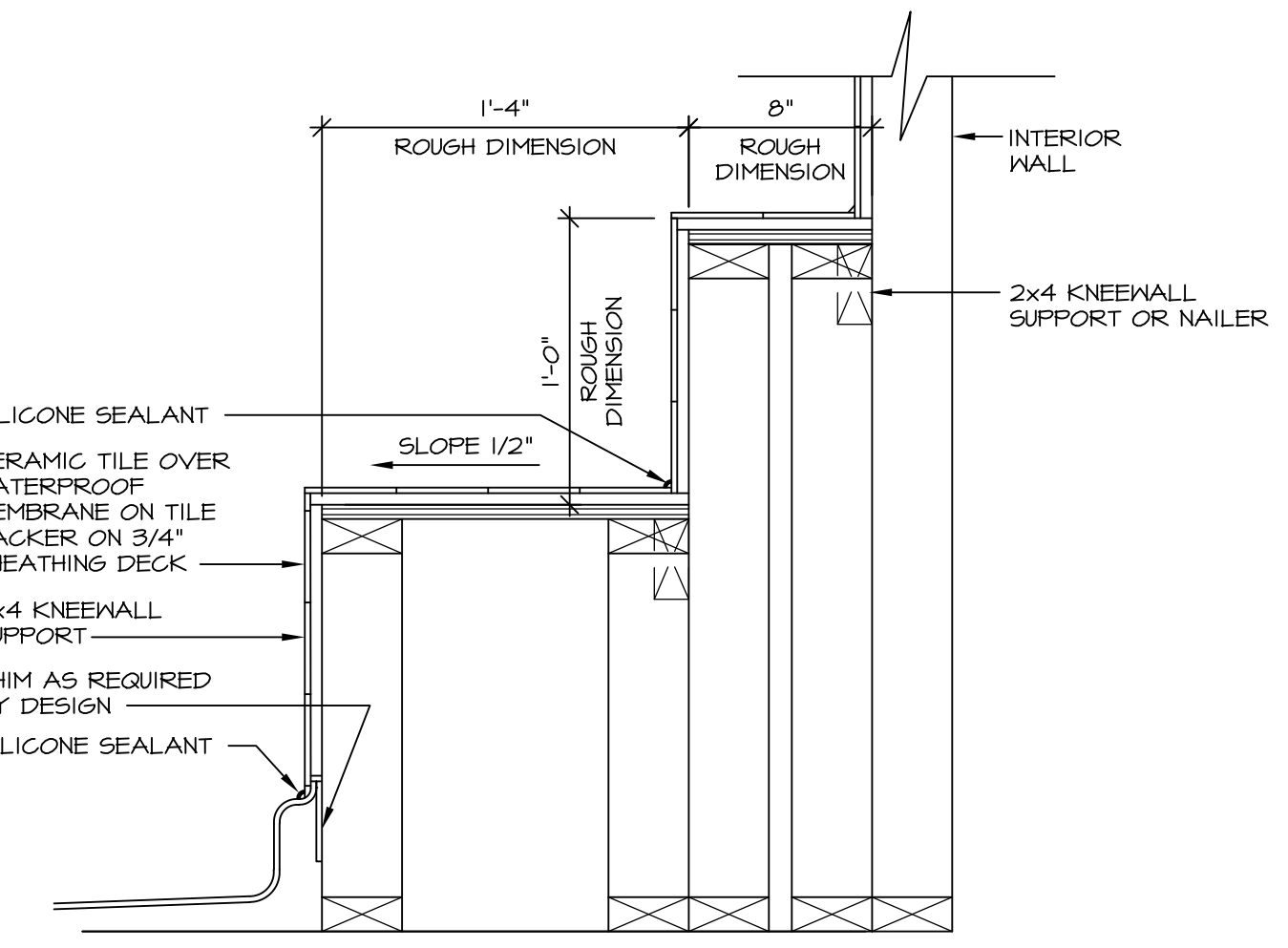
3 SECTION OF TUB TO WALL CONDITION
SCALE: 1 1/2" = 1'-0"



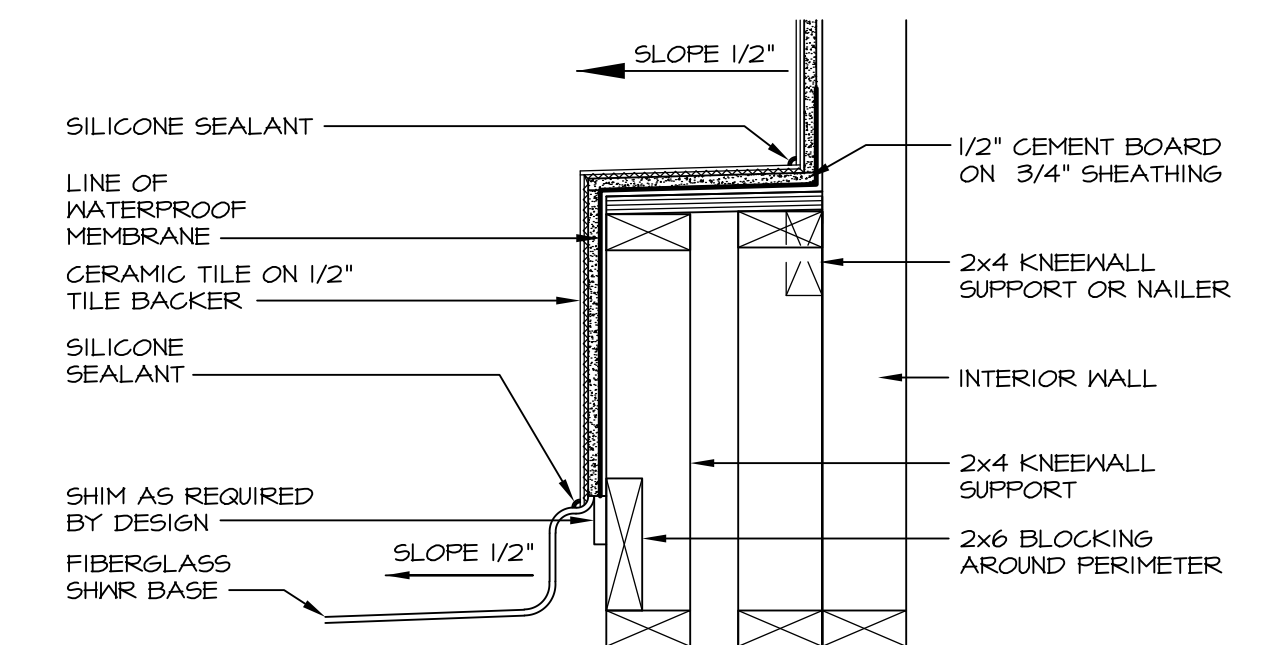
4 ELEVATION
SCALE: 1/2" = 1'-0"



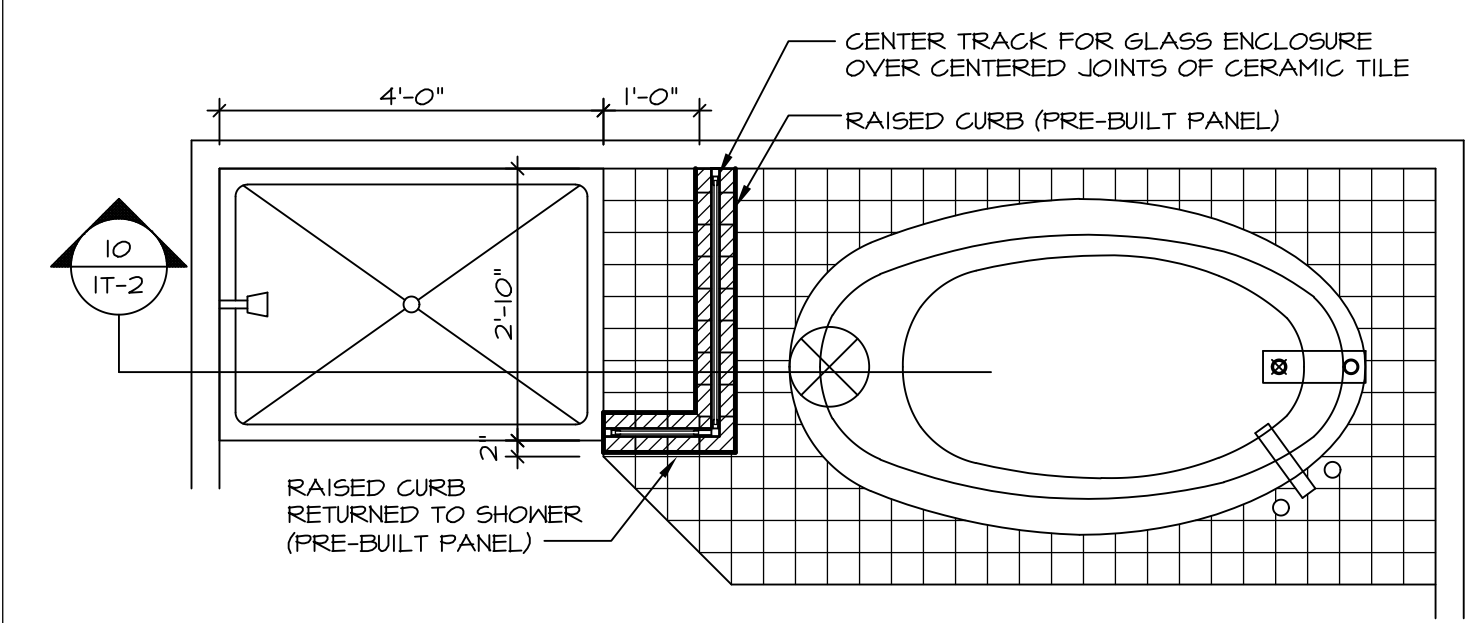
5 INSULATION DETAIL
SCALE: 1" = 1'-0" AT EXTERIOR WALL



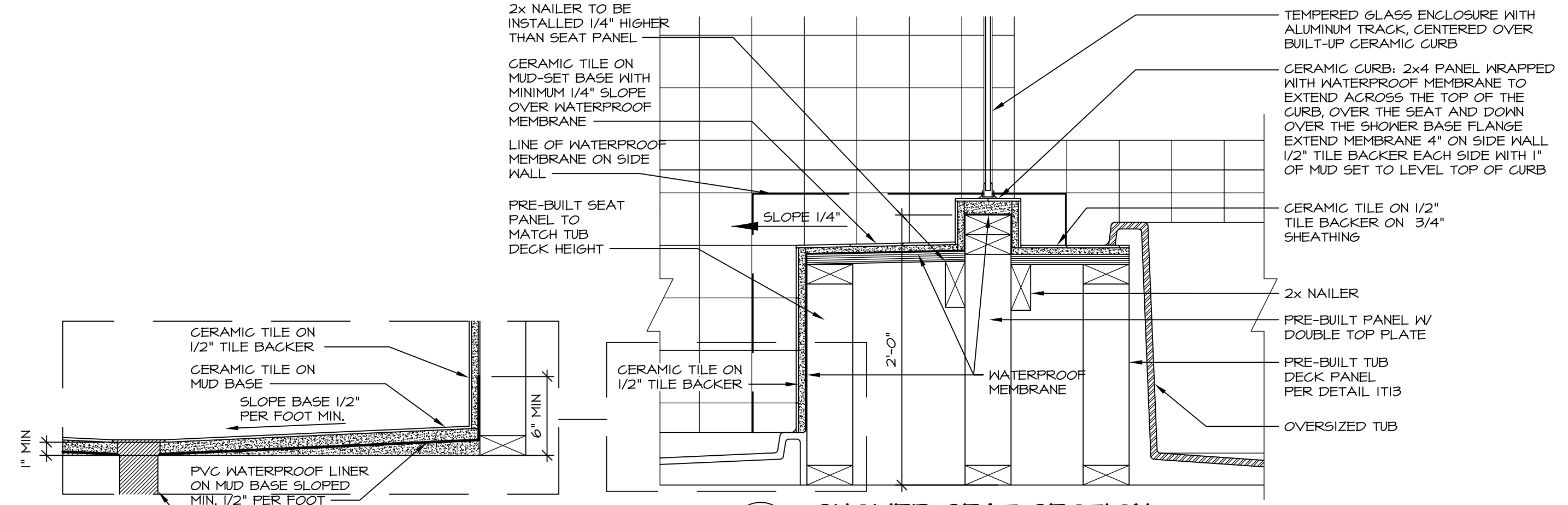
6 SECTION OF SHOWER SEAT AND SHELF
SCALE: 1 1/2" = 1'-0"



7 SECTION OF SHOWER SEAT
SCALE: 1-1/2" = 1'-0" FIBERGLASS SHOWER BASE



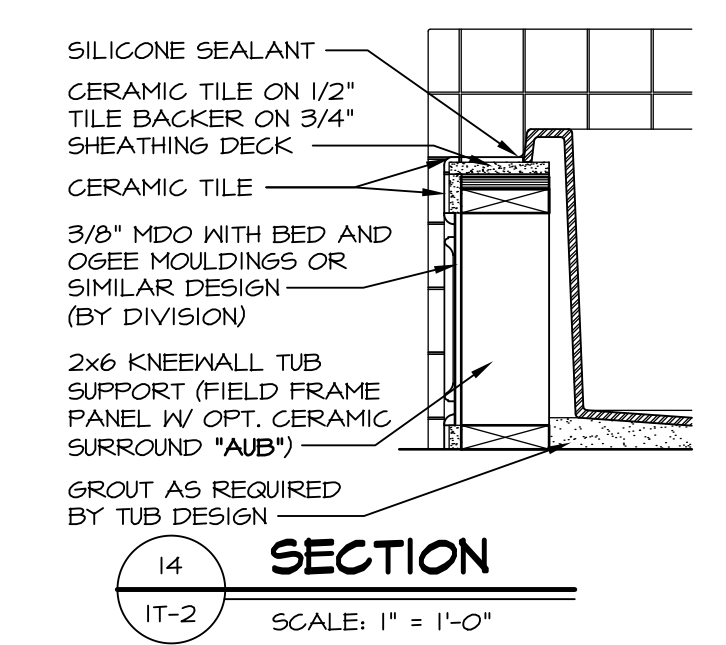
8 SHOWER SEAT PLAN / DETAIL
SCALE: 1/2" = 1'-0"



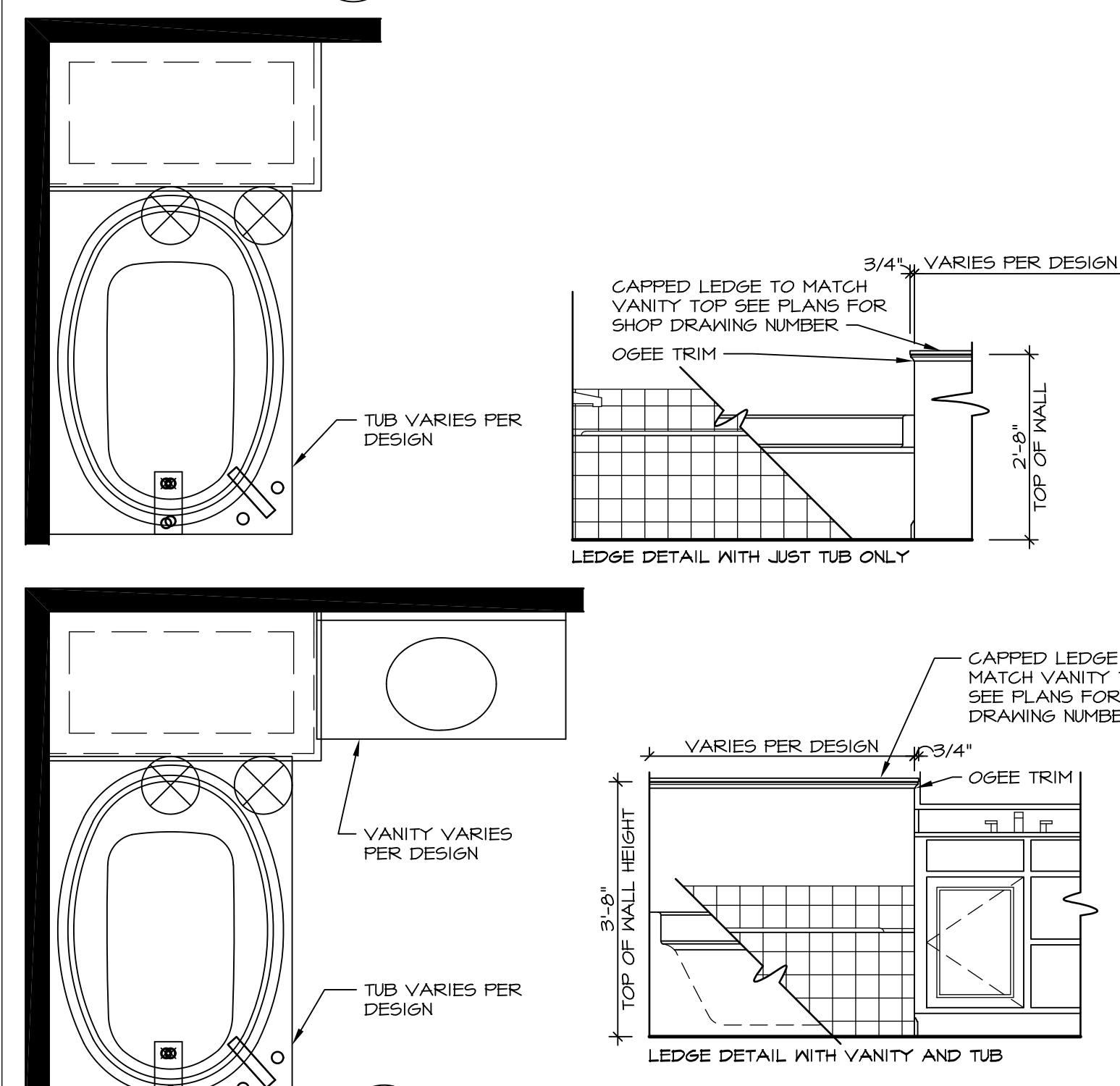
9 SHOWER SEAT SECTION
SCALE: 1-1/2" = 1'-0"



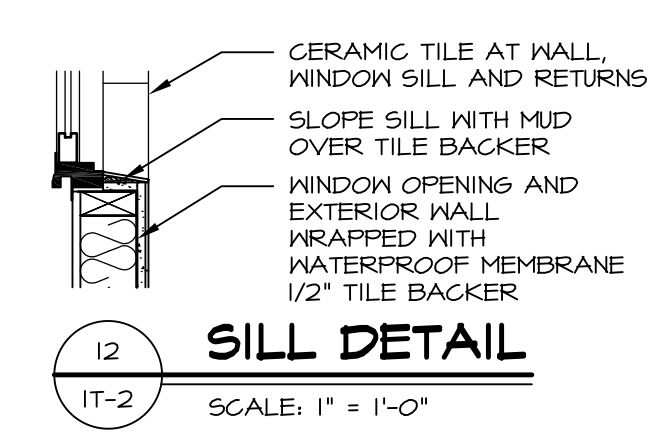
10 ALTERNATE SHOWER PAN DETAIL



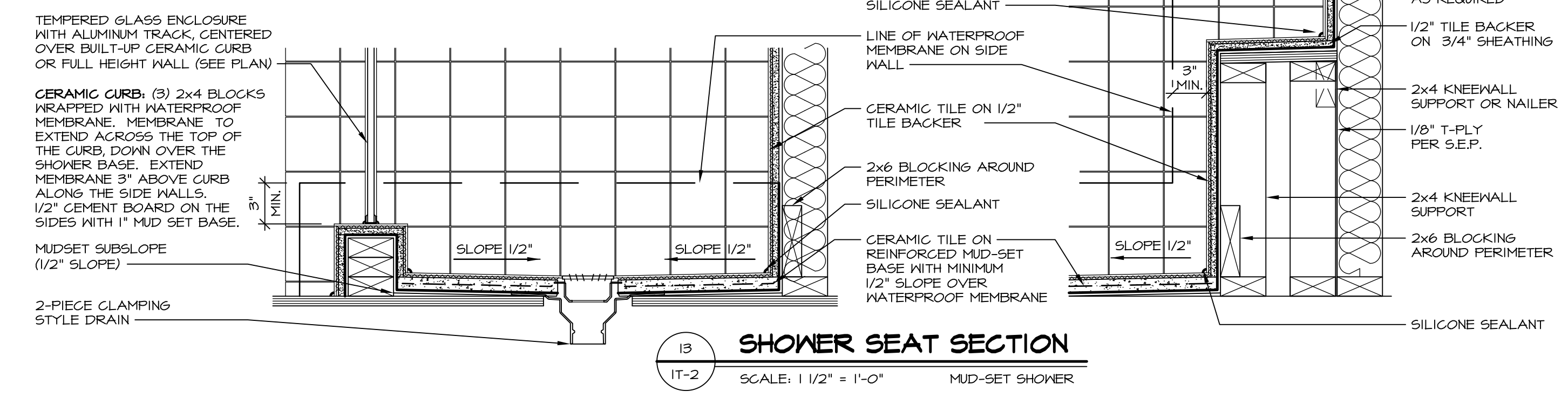
11 SECTION
SCALE: 1" = 1'-0"



12 BATHROOM LEDGE DETAIL
SCALE: 1/2" = 1'-0"



13 SILL DETAIL
SCALE: 1" = 1'-0"



14 SHOWER SEAT SECTION
SCALE: 1 1/2" = 1'-0" MUD-SET SHOWER

REVISIONS

REV. NO.	DATE	DESCRIPTION
5/11/17	5/11/17	REVISOR: REVISED DETAIL 1 AND 11 TO REMOVE TUB ACCESS PANEL REF. (CBS #15 5414)

NVR, Inc., owner, expressly reserves its common law copyright and other property rights in these plans. These plans are not to be reproduced, copied, or otherwise used in any way without the prior written consent of NVR, Inc.

NVR
NVR, Inc.
Architectural Services
5285 Westpark Drive, Suite 100
Frederick, MD 21703

SET NO. NVR
VERSION
DRAWN BY
DATE:
OPTION

MODEL
STANDARD DETAILS
DRAWING TITLE
INTERIOR TRIM DETAILS
BATH DETAILS
OPTION DESCRIPTION

SHEET NO.
IT-2

C:\Users\epeterson\AppData\Local\Temp\XpPublish_4544\IT2.dwg 05/11/17 - 7:12 am