

PLUMBING PLAN
SCALE: 1/4" = 1'-0"

NOTE
RADON REMEDIATION
RADON LOOP:
- (4") PERFORATED HDPE "LOOP"
- MUST BE PLACED IN STONE BED SLIGHTLY HIGHER THAN ANY INTERIOR DRAINTILE
- LOOP TO BE SEPARATE FROM ANY DRAINTILE ELEMENTS
- TO BE CORRUGATED HDPE PIPE
- SCREENS TO BE INSTALLED THROUGH LOOP AT TEE UP INTO STACK
STACK REQUIREMENTS:
- 3" PVC STACK (4" IF BASEMENT IS GREATER THAN 2200 SQFT.)
- NO PART OF STACK IS TO BE HORIZONTAL
- PIPE TO BE PHYSICALLY LABELED IN THE FIELD AS "RADON VENT" OR OTHER JURISDICTIONALLY REQUIRED LANGUAGE (ON EVERY LEVEL OF HOUSE)
- ROOF TERMINATION TO BE IN TOP 1/3 OF ROOF
- SCREEN INSTALLED TO KEEP PESTS OUT OF RADON VENT AT ROOF TERMINATION

SHEET NO. A-5	MODEL ALLEGHENY	SET NO. AL600	VERSION 01	DRAWN BY TN	DATE 08/04/2017	OPTION	22
DRAWING TITLE PLUMBING PLAN		NVR, Inc. Architectural Services 5285 West Lakeshore, Suite 100 Frederick, MD 21703		NVR, Inc., owner, expressly reserves its copyright in these plans. These plans are not to be reproduced, changed, adapted, or otherwise used in any way without the prior written consent of NVR, Inc.		REV. NO. DATE	
OPTION DESCRIPTION						REMARKS	

LEGEND	
[Solid Line]	BEARING WALL
[Dashed Line]	NON BEARING WALL
[Circle with X]	INDICATES BEARING FROM POINT-LOAD ABOVE
[Square]	JACKS
[Circle]	B.E. BEAM/HEADER
[Square]	F.F. PAD FOOTING
[Diamond]	S.C. STEEL COLUMN
[Square with X]	P.F. PORTAL FRAME
[Square]	J.T. JOIST/TRUSS
[Line with Dash]	LVL
[Circle with X]	E. ENGINEERING PAGE NUMBER

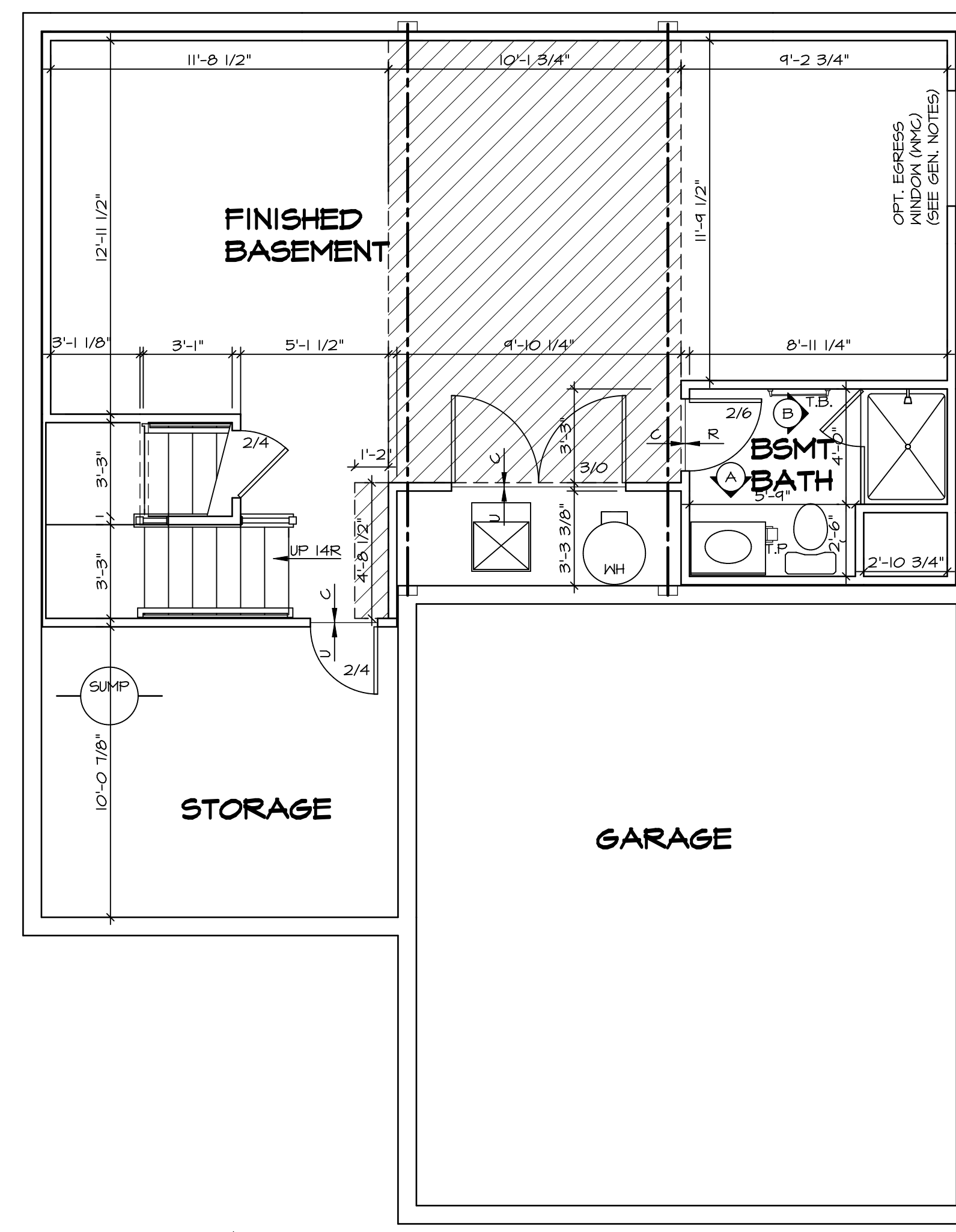
FLOOR PLAN NOTES

1. ALL HEADERS ARE (2) 2x6 w/ 2x4 WALLS OR (3) 2x6 w/ 2x6 WALLS, UNLESS OTHERWISE NOTED.
2. ALL HEADERS TO HAVE (1) 2x4 OR 2x6 JACK AND KING STUD EACH END, UNLESS OTHERWISE NOTED.
3. ALL EXTERIOR WALLS TO BE 4" w/ OSB OR 3 1/2" w/ T-PLY, ALL INTERIOR WALLS TO BE 3 1/2", UNLESS OTHERWISE NOTED.
4. HATCHED AREAS INDICATE DROPPED CEILING. ALL DROPPED CEILING ARE 12" UNLESS OTHERWISE NOTED.
5. SEE "BRACED WALL PANEL DETAIL SHEET" FOR SPECIAL WALL FRAMING LOCATIONS AND HEADER SIZES, IF APPLICABLE.
6. SEE STANDARD DETAIL CATEGORY "IT" SHEET(S) FOR INTERIOR TRIM DETAILS.
7. SEE ARCHITECTURAL DETAIL SHEET "AD" FOR HOUSE SPECIFIC INTERIOR TRIM OPTION TABLE.
8. ALL WINDOWS HAVE T-O 1/2" HEADER HEIGHT UNLESS OTHERWISE NOTED.
9. ALL HEADERS IN NON-BEARING WALLS SHALL BE A SINGLE FLAT 2X4 OR 2X6 ATTACHED TO CRIPPLES ABOVE, UNLESS OTHERWISE NOTED.
10. TANKED WATER HEATER SHOWN AS BASE CONDITION, OPTIONAL TANKLESS WATER HEATER IS AVAILABLE IN LIEU OF TANKED WATER HEATER.

GYPSON NOTES

AT GARAGE:
 GYPSUM BOARD AT COMMON WALLS, CEILINGS, BEAM WRAPS AND SUPPORTS PER STANDARD DETAIL FA-1(b) FIRE ASSEMBLIES OR AS REQUIRED BY LOCAL CODE.

AT STAIRS:
 1/2" GYPSUM BOARD AT UNDERSIDE OF STAIRS AND WALLS IN CLOSET



BASEMENT FLOOR PLAN
 SCALE: 1/4" = 1'-0"

REV. NO.	DATE	REMARKS

NVR, Inc., owner, expressly reserves its copyright in the design, drawings and plans. These plans are not to be reproduced, changed, copied or otherwise used in any way without the prior written consent of NVR, Inc.

NVR
 NVR, Inc.
 Architects
 5285 West... Suite 100
 Frederick, MD 21703

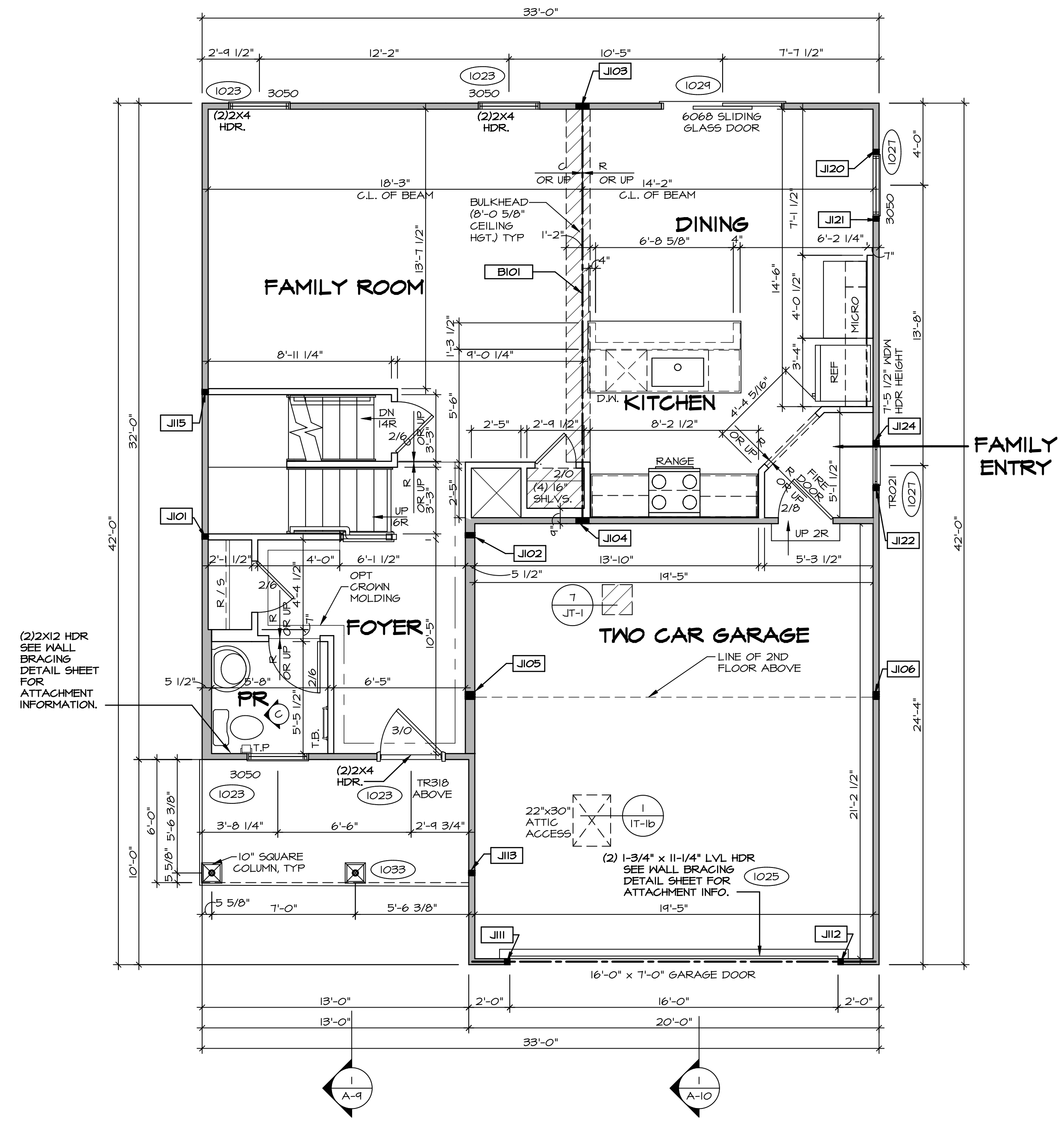
SET NO.	ALGOO
VERSION	01
DRAWN BY	TN
DATE	08/04/2017
OPTION	

MODEL ALLEGHENY	DRAWING TITLE BASEMENT FLOOR PLAN
SHEET NO. A-6	
OPTION DESCRIPTION 26	

FIRST FLOOR JACK SCHEDULE				
IDENTIFIER	DESCRIPTION	OPTIONS	ENG. NUM.	REMARKS
J101	JACK - (2) 2X4 SFF STUD GRADE		1004	
J102	JACK - (2) 2X6 SFF STUD GRADE		1004	
J103	JACK - (3) 2X4 SFF		1008	
J104	JACK - (3) 2X4 SFF		1008	
J105	JACK - (3) 2X6 SFF	ELA, ELB, ELK, ELL	1010	
J106	JACK - (3) 2X4 SFF	ELA, ELB, ELK, ELL	1010	
J111	JACK - (2) 2X4 SFF STUD GRADE		1025	
J112	JACK - (2) 2X4 SFF STUD GRADE		1025	
J113	JACK - (2) 2X4 SFF STUD GRADE		1039	
J115	JACK - (2) 2X4 SFF STUD GRADE		1006	
J120	JACK - (2) 2X4 SFF STUD GRADE		1027	
J121	JACK - (2) 2X4 SFF STUD GRADE		1027	
J122	JACK - (2) 2X4 SFF STUD GRADE		1027	
J124	JACK - (2) 2X4 SFF STUD GRADE		1027	

FIELD INSTALLED FIRST FLOOR BEAM/HEADER SCHEDULE					
IDENTIFIER	DESCRIPTION	LENGTH	OPTIONS	ENG. NUM.	REMARKS
B101	BEAM STEEL - W10X30	20'-6"		1008	

STEEL COLUMN SCHEDULE					
IDENTIFIER	STYLE	HEIGHT	OPTIONS	ENG. NUM.	REMARKS



FIRST FLOOR PLAN
SCALE: 1/4" = 1'-0"

LEGEND	
	BEARING WALL
	NON BEARING WALL
	INDICATES BEARING FROM POINT-LOAD ABOVE
	JACKS
	BEAM/HEADER
	PAD FOOTING
	STEEL COLUMN
	PORTAL FRAME
	JOIST/TRUSS
	LVL
	ENGINEERING PAGE NUMBER

SEE FC DETAILS FOR FRAMING CONNECTORS

- FLOOR PLAN NOTES** RYAN
- ALL HEADERS ARE (2) 2x6 w/ 2x4 WALLS OR (3) 2x6 w/ 2x6 WALLS, UNLESS OTHERWISE NOTED.
 - ALL HEADERS TO HAVE (1) 2x4 OR 2x6 JACK AND KING STUD EACH END, UNLESS OTHERWISE NOTED.
 - ALL EXTERIOR WALLS TO BE 4" w/ OSB OR 3 1/2" w/ LAMINATED FIBROUS STRUCTURAL SHEATHING, ALL INTERIOR WALLS TO BE 3 1/2", UNLESS OTHERWISE NOTED.
 - HATCHED AREAS INDICATE DROPPED CEILINGS. ALL DROPPED CEILINGS ARE 12" UNLESS OTHERWISE NOTED.
 - SEE "BRACED WALL PANEL DETAIL SHEET" FOR SPECIAL WALL FRAMING LOCATIONS AND HEADER SIZES, IF APPLICABLE.
 - SEE STANDARD DETAIL CATEGORY "11" SHEET(S) FOR INTERIOR TRIM DETAILS.
 - SEE ARCHITECTURAL DETAIL SHEET "AD" FOR HOUSE SPECIFIC INTERIOR TRIM OPTION TABLE.
 - ALL WINDOWS HAVE 7'-0 1/2" HEADER HEIGHT UNLESS OTHERWISE NOTED.
 - ALL HEADERS IN NON-BEARING WALLS SHALL BE A SINGLE FLAT 2X4 OR 2X6 ATTACHED TO GRIPPLIES ABOVE, UNLESS OTHERWISE NOTED.
 - TANKED WATER HEATER SHOWN AS BASE CONDITION, OPTIONAL TANKLESS WATER HEATER IS AVAILABLE IN LIEU OF TANKED WATER HEATER.

- GYPSUM NOTES**
- AT GARAGE:
GYPSUM BOARD AT COMMON WALLS, CEILINGS, BEAM WRAPS AND SUPPORTS PER STANDARD DETAIL FA-1(b) FIRE ASSEMBLIES OR AS REQUIRED BY LOCAL CODE.
- AT STAIRS:
1/2" GYPSUM BOARD AT UNDERSIDE OF STAIRS AND WALLS IN CLOSET

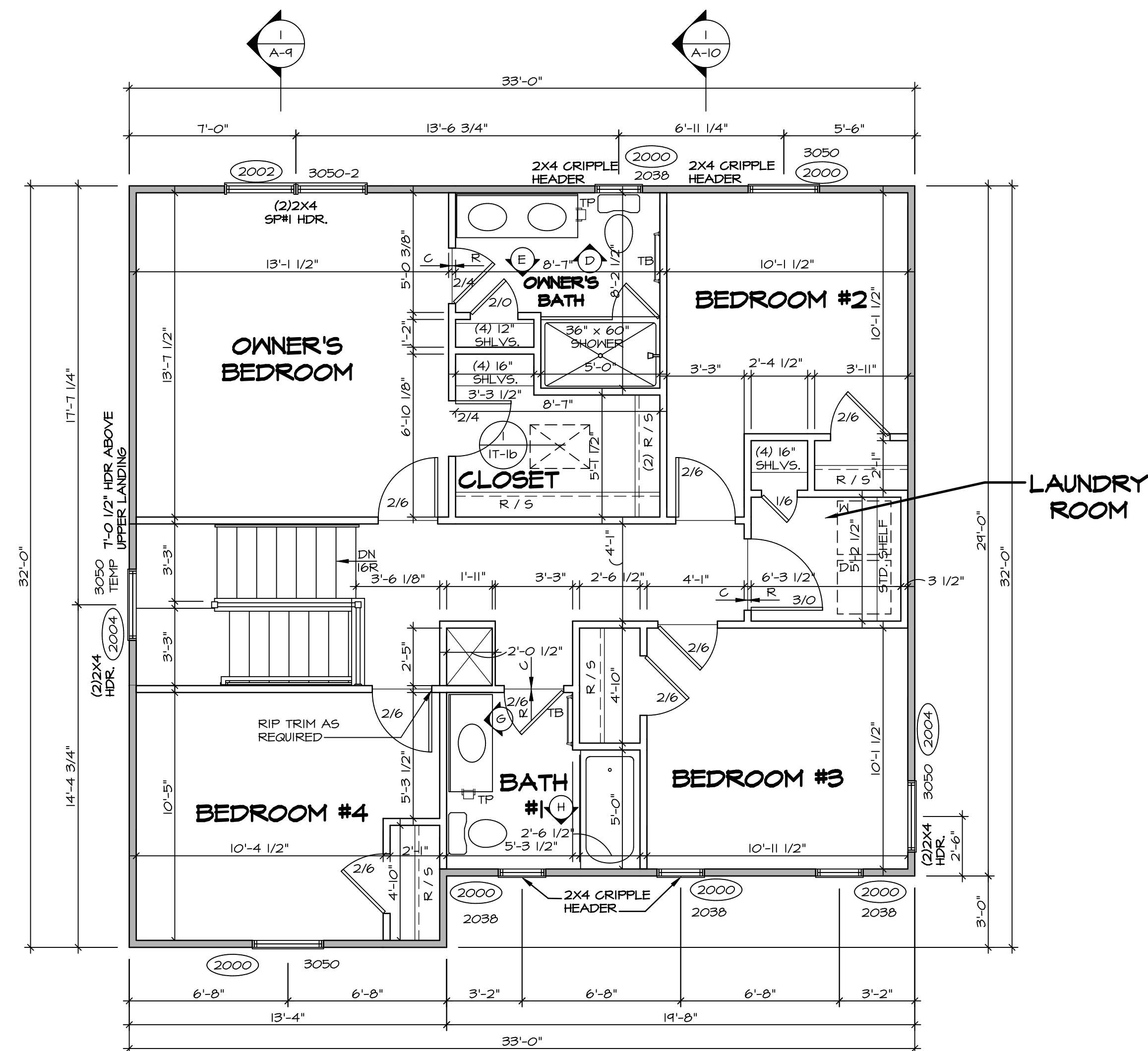
REV. NO.	DATE	REMARKS

NVR, Inc., owner, expressly reserves its copyright in these plans. These plans are not to be reproduced, changed, copied, or otherwise used in any way without the written consent of NVR, Inc.

NVR
NVR, Inc.
Architectural Services
Suite 100
5285 Washington Blvd.
Frederick, MD 21703

SET NO. ALGOO	VERSION 01
DRAWN BY YON	DATE: 08/10/2017
OPTION	

MODEL ALLEGHENY	DRAWING TITLE FIRST FLOOR PLAN
SHEET NO. A-7	OPTION DESCRIPTION
	28



SECOND FLOOR PLAN
SCALE: 1/4" = 1'-0"

LEGEND	
	BEARING WALL
	NON BEARING WALL
	INDICATES BEARING FROM POINT-LOAD ABOVE JACKS
	JACKS
	BEAM/HEADER
	PAD FOOTING
	STEEL COLUMN
	PORTAL FRAME
	JOIST/TRUSS
	LVL
	ENGINEERING PAGE NUMBER

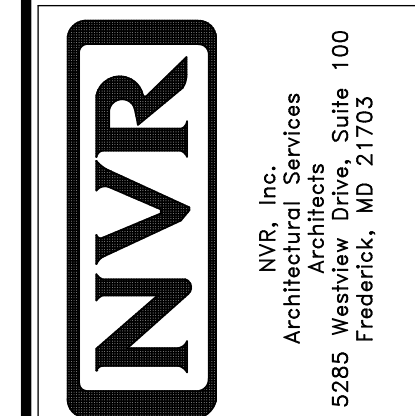
SEE FC DETAILS FOR FRAMING CONNECTORS

- FLOOR PLAN NOTES** RYAN
- ALL HEADERS ARE (2) 2x6 w/ 2x4 WALLS OR (3) 2x6 w/ 2x6 WALLS, UNLESS OTHERWISE NOTED.
 - ALL HEADERS TO HAVE (1) 2x4 OR 2x6 JACK AND KING STUD EACH END, UNLESS OTHERWISE NOTED.
 - ALL EXTERIOR WALLS TO BE 4" w/ OSB OR 3 1/2" w/ T-PLY, ALL INTERIOR WALLS TO BE 3 1/2", UNLESS OTHERWISE NOTED.
 - HATCHED AREAS INDICATE DROPPED CEILINGS. ALL DROPPED CEILINGS ARE 12" UNLESS OTHERWISE NOTED.
 - SEE "BRACED WALL PANEL DETAIL SHEET" FOR SPECIAL WALL FRAMING LOCATIONS AND HEADER SIZES, IF APPLICABLE.
 - SEE STANDARD DETAIL CATEGORY "1T" SHEET(S) FOR INTERIOR TRIM DETAILS.
 - SEE ARCHITECTURAL DETAIL SHEET "AD" FOR HOUSE SPECIFIC INTERIOR TRIM OPTION TABLE.
 - ALL WINDOWS HAVE 7'-0" 1/2" HEADER HEIGHT UNLESS OTHERWISE NOTED.
 - ALL HEADERS IN NON-BEARING WALLS SHALL BE A SINGLE FLAT 2x4 OR 2x6 ATTACHED TO CRIPPLES ABOVE, UNLESS OTHERWISE NOTED.
 - TANKED WATER HEATER SHOWN AS BASE CONDITION, OPTIONAL TANKLESS WATER HEATER IS AVAILABLE IN LIEU OF TANKED WATER HEATER.

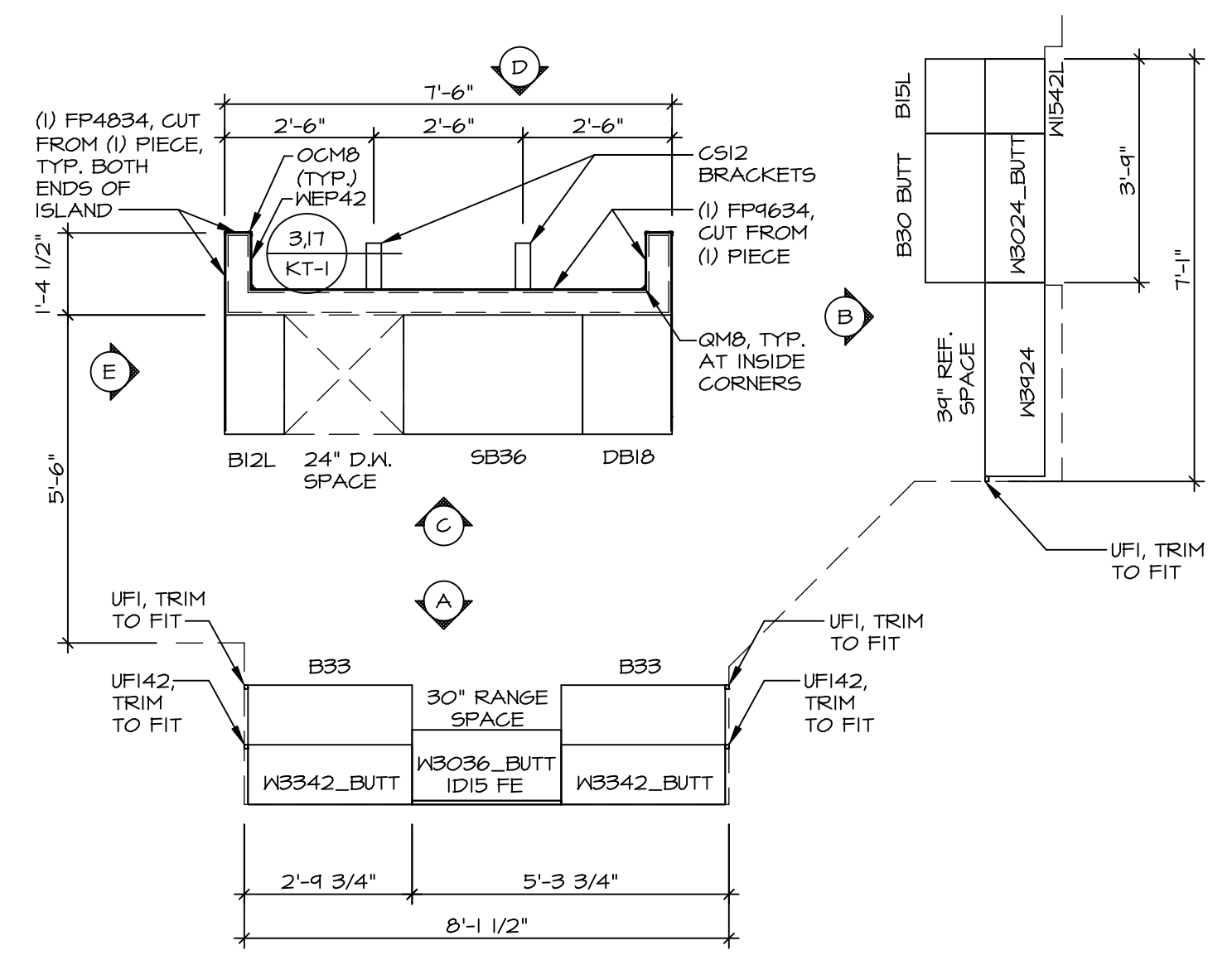
- GYPSUM NOTES**
- AT GARAGE:
GYPSUM BOARD AT COMMON WALLS, CEILING, BEAM WRAPS AND SUPPORTS PER STANDARD DETAIL FA-1(b) FIRE ASSEMBLIES OR AS REQUIRED BY LOCAL CODE.
- AT STAIRS:
1/2" GYPSUM BOARD AT UNDERSIDE OF STAIRS AND WALLS IN CLOSET

REV. NO.	DATE	REMARKS

NVR, Inc., owner, expressly reserves its copyright in these plans. These plans are not to be reproduced, changed, copied, or otherwise used in any way without the written consent of NVR, Inc.

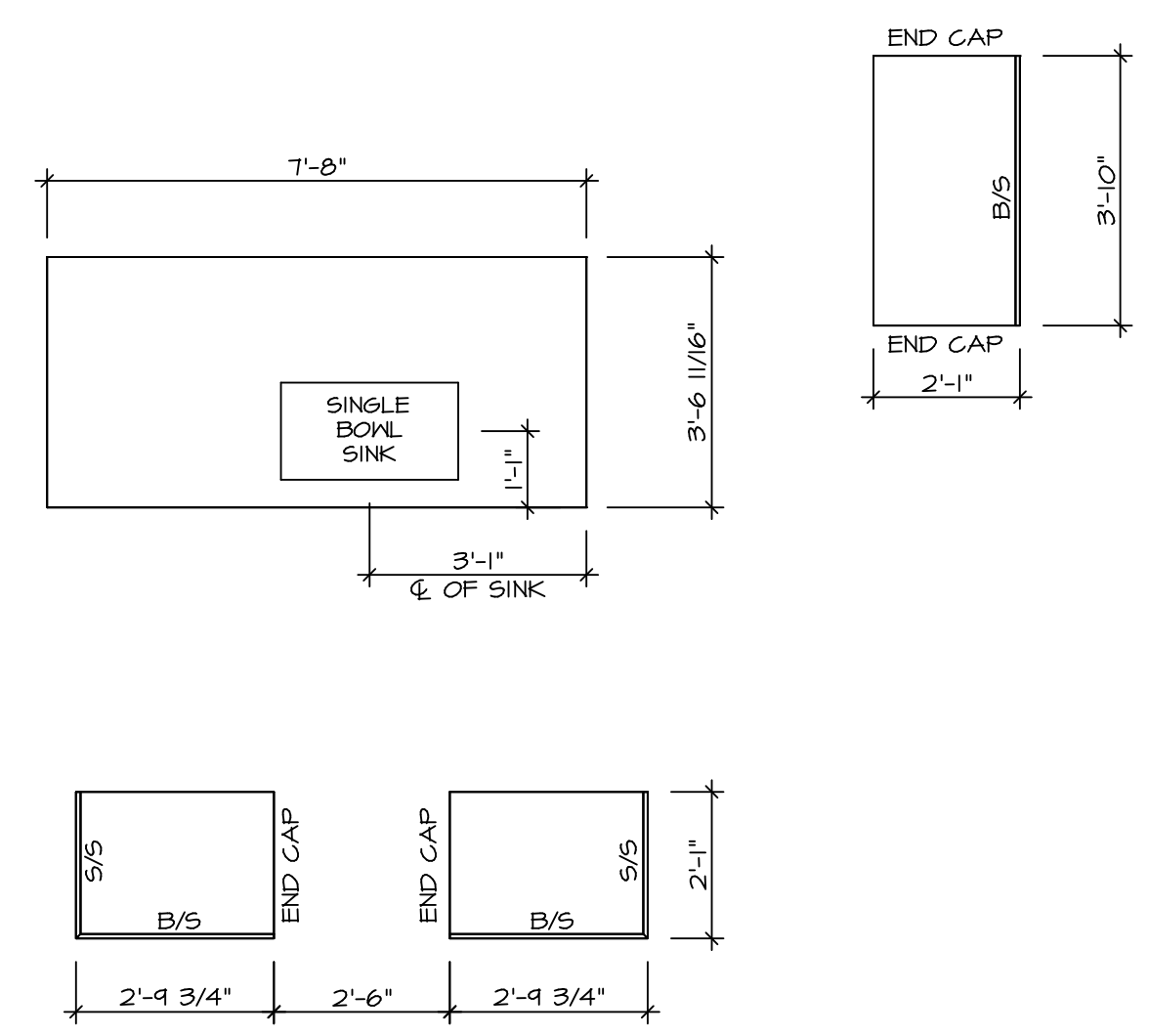


SHEET NO.	A-8	31
MODEL	ALLEGHENY	
VERSION	01	
DRAWN BY	YON	
DATE	08/10/2017	
OPTION		
DRAWING TITLE	SECOND FLOOR PLAN	
OPTION DESCRIPTION		



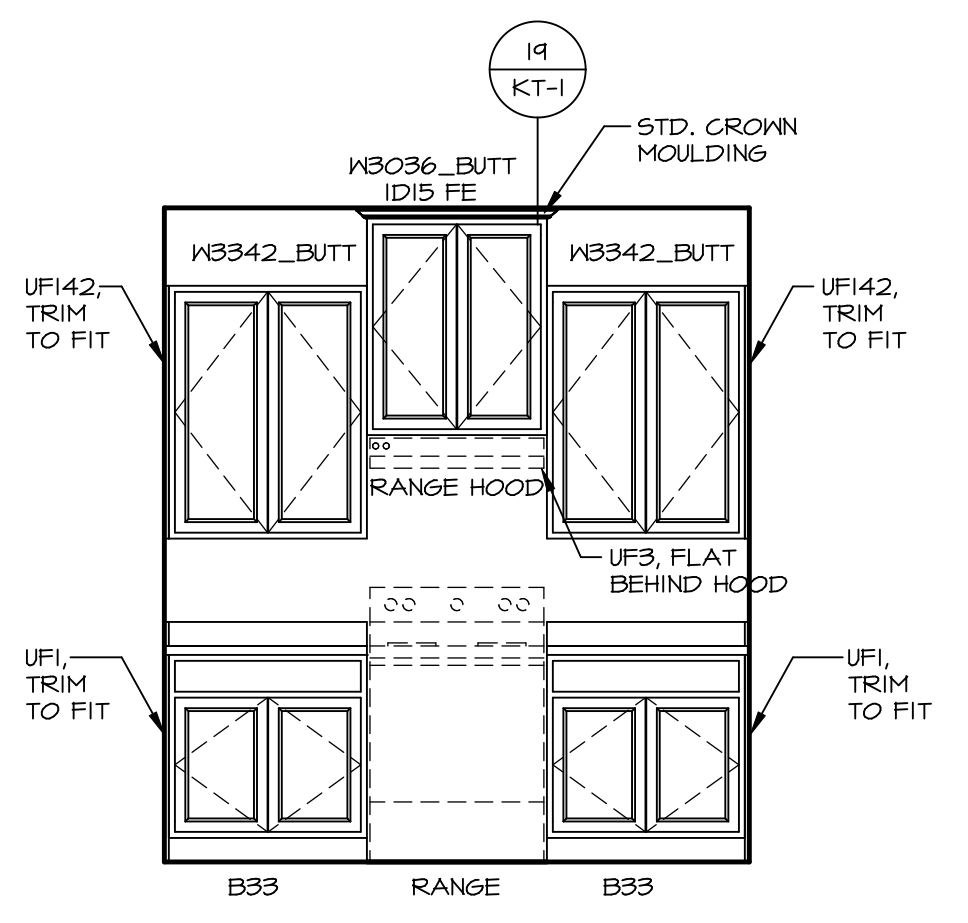
**KITCHEN CABINET
PLAN KC - 3489**

1
A-12 SCALE: 3/8" = 1'-0"

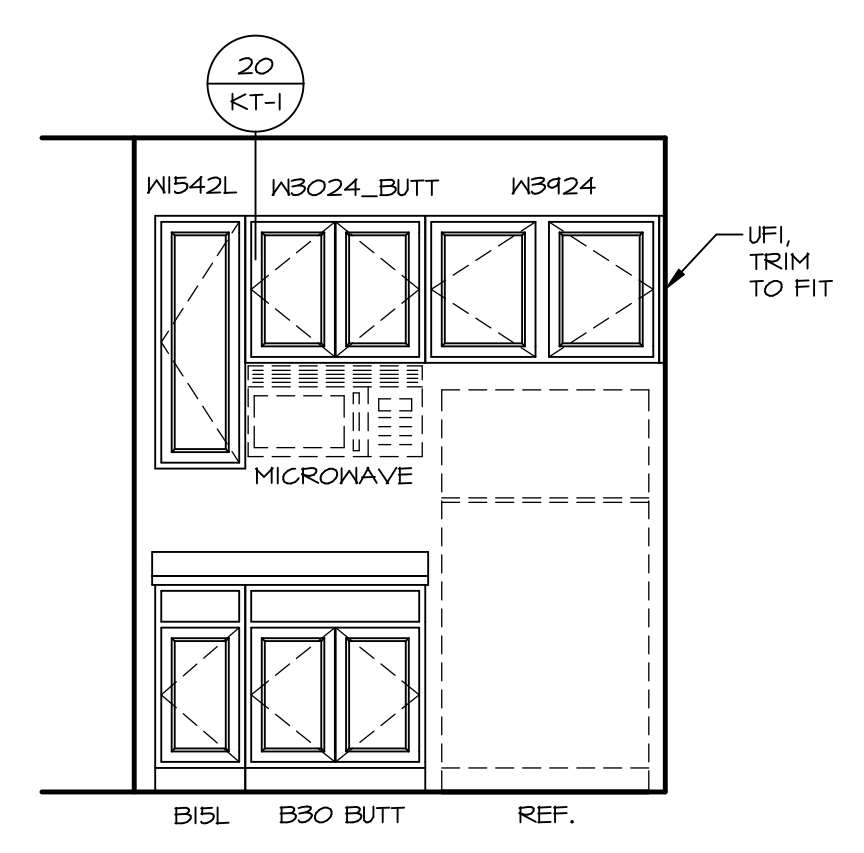


**KITCHEN COUNTERTOP
PLAN KC - 3489**

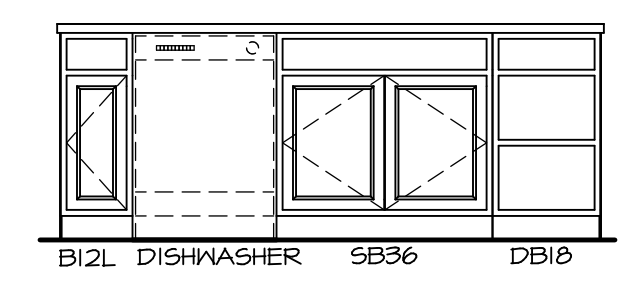
2
A-12 SCALE: 3/8" = 1'-0"



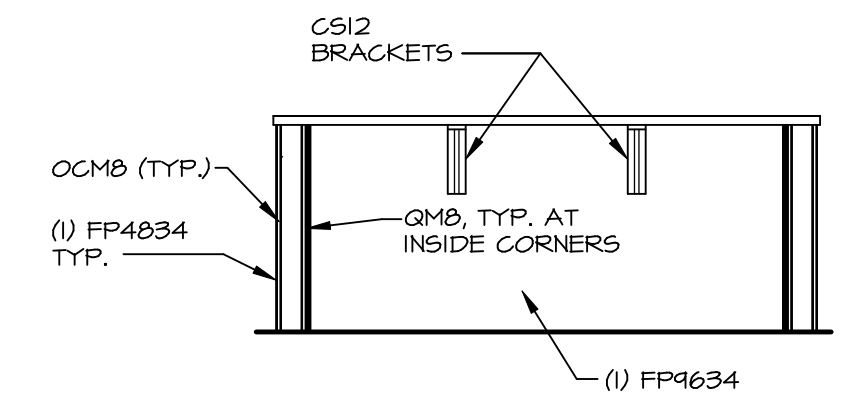
A ELEVATION "A"
SCALE: 3/8" = 1'-0"



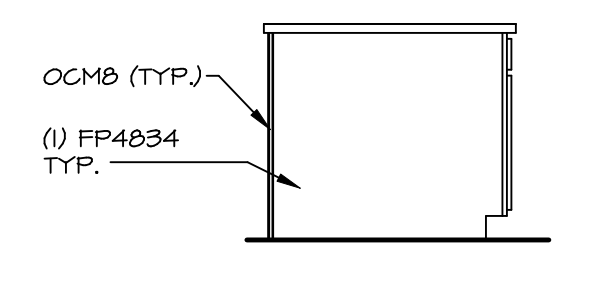
B ELEVATION "B"
SCALE: 3/8" = 1'-0"



C ELEVATION "C"
SCALE: 3/8" = 1'-0"



D ELEVATION "D"
SCALE: 3/8" = 1'-0"



E ELEVATION "E"
SCALE: 3/8" = 1'-0"

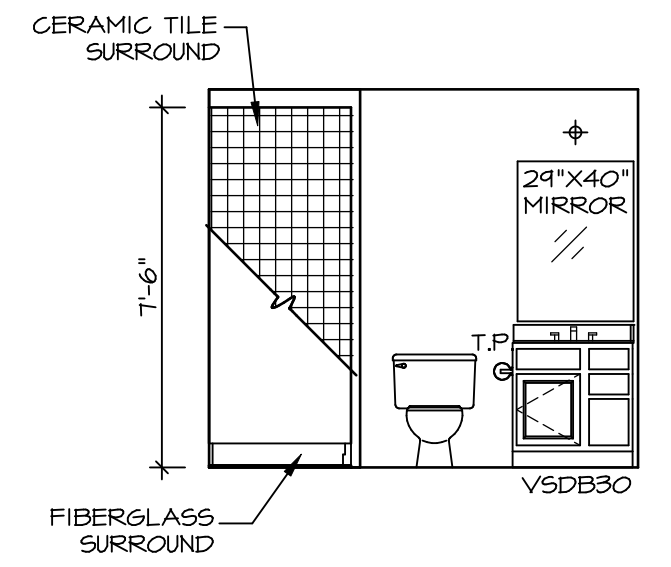
NOTE:
KITCHEN ELEVATIONS/PLANS CALL
OUT STANDARD MOULDING. REFER TO
DETAIL 11/KT-1 FOR REPLACEMENT
BASED ON CABINET STYLE.

SHEET NO.	MODEL	SET NO.	VERSION	DATE	OPTION
A-12	ALLEGHENY	ALGOO 01	01	8/3/17	
43	ALLEGHENY	ALGOO	01	8/3/17	
	DRAWING TITLE	DRAWN BY			
	KITCHEN PLANS	KDH			
	OPTION DESCRIPTION				

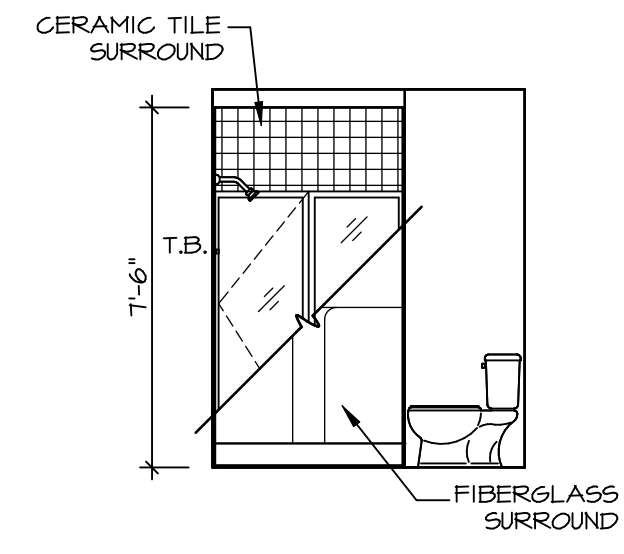
NVR
NVR, Inc.
Architectural Services
Architects
5285 Westheimer Blvd, Suite 100
Frederick, MD 21703

NVR, Inc., owner, expressly
reserves its copyright in these
plans. These plans are not to be
reproduced, changed, copied in
any way, or otherwise used, without
the prior written consent of NVR, Inc.

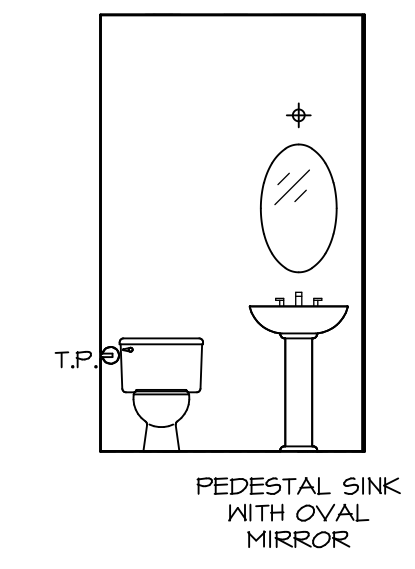
REV. NO.	DATE	REMARKS



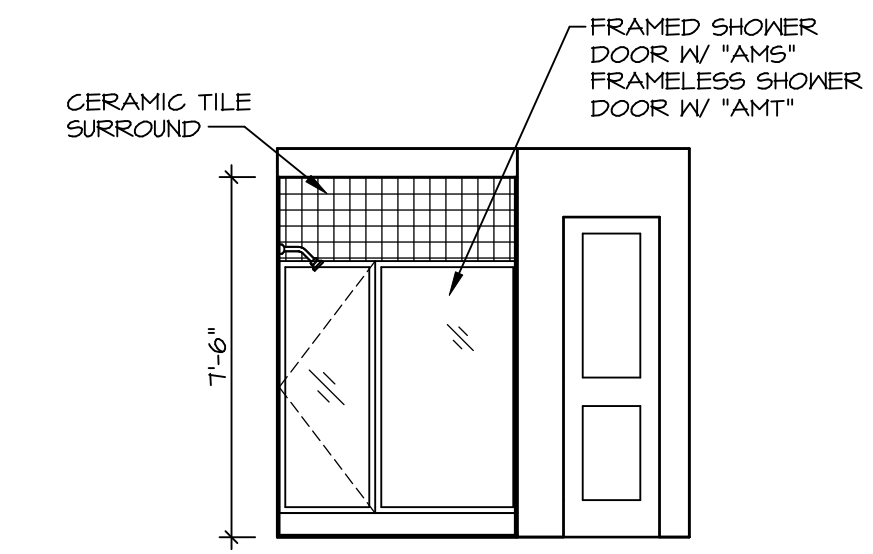
A **BASEMENT BATH**
SCALE: 1/4" = 1'-0"



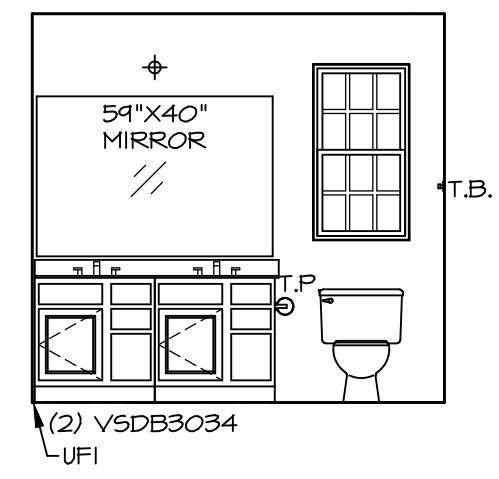
B **BASEMENT BATH**
SCALE: 1/4" = 1'-0"



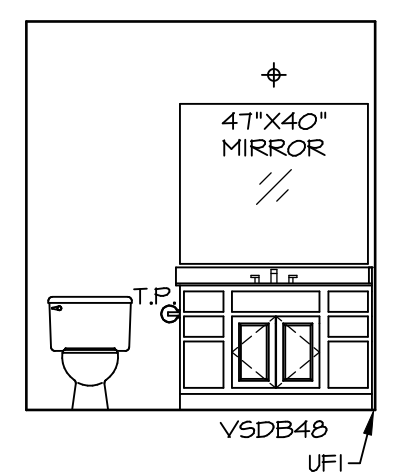
C **POWDER ROOM**
SCALE: 1/4" = 1'-0"



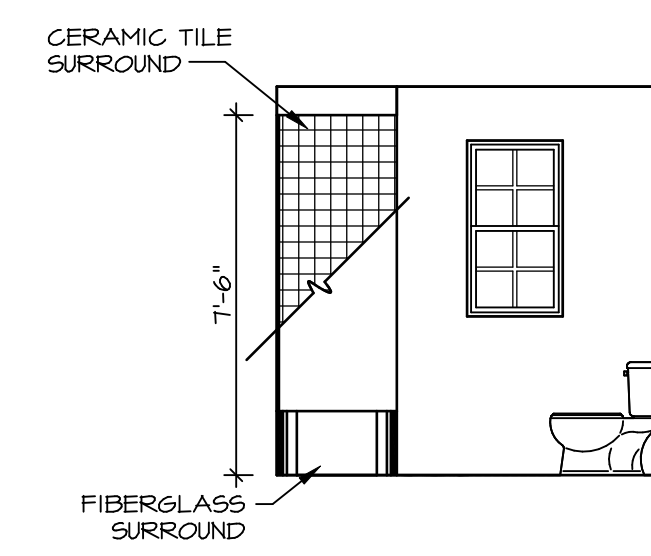
E **OWNER'S BATH**
SCALE: 1/4" = 1'-0"



D **OWNER'S BATH**
SCALE: 1/4" = 1'-0"



G **BATH #1**
SCALE: 1/4" = 1'-0"



H **BATH #1**
SCALE: 1/4" = 1'-0"

- NOTES:**
1. TEMPERED GLASS SHOWER ENCLOSURE WITH SWING DOOR OR OPTIONAL SLIDING DOOR BY DIVISION
 2. TUB ACCESS PANELS PROVIDED AS NEEDED, ALL MATERIALS BY DIVISION
 3. REFER TO SHEET IT-2 FOR TUB AND SHOWER DETAILS.
 4. ALL VSD B24-42 DRAWERS TO BE SET ON RIGHT HAND.
 5. ALL BATH ELEVATIONS ARE SHOWN PER PLAN.

SHEET NO. A-13	MODEL ALLEGHENY	SET NO. ALGOO	REMARKS
	DRAWING TITLE BATH ELEVATIONS	VERSION 01	
44	OPTION DESCRIPTION	DATE: 4/8/17	REV. NO. DATE
		OPTION	

NVR
NVR, Inc.
Architectural Services
Architects
5285 Westover Lane, Suite 100
Frederick, MD 21703