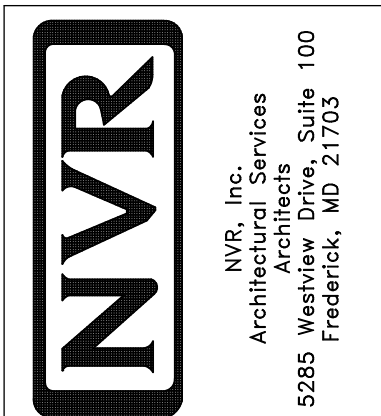


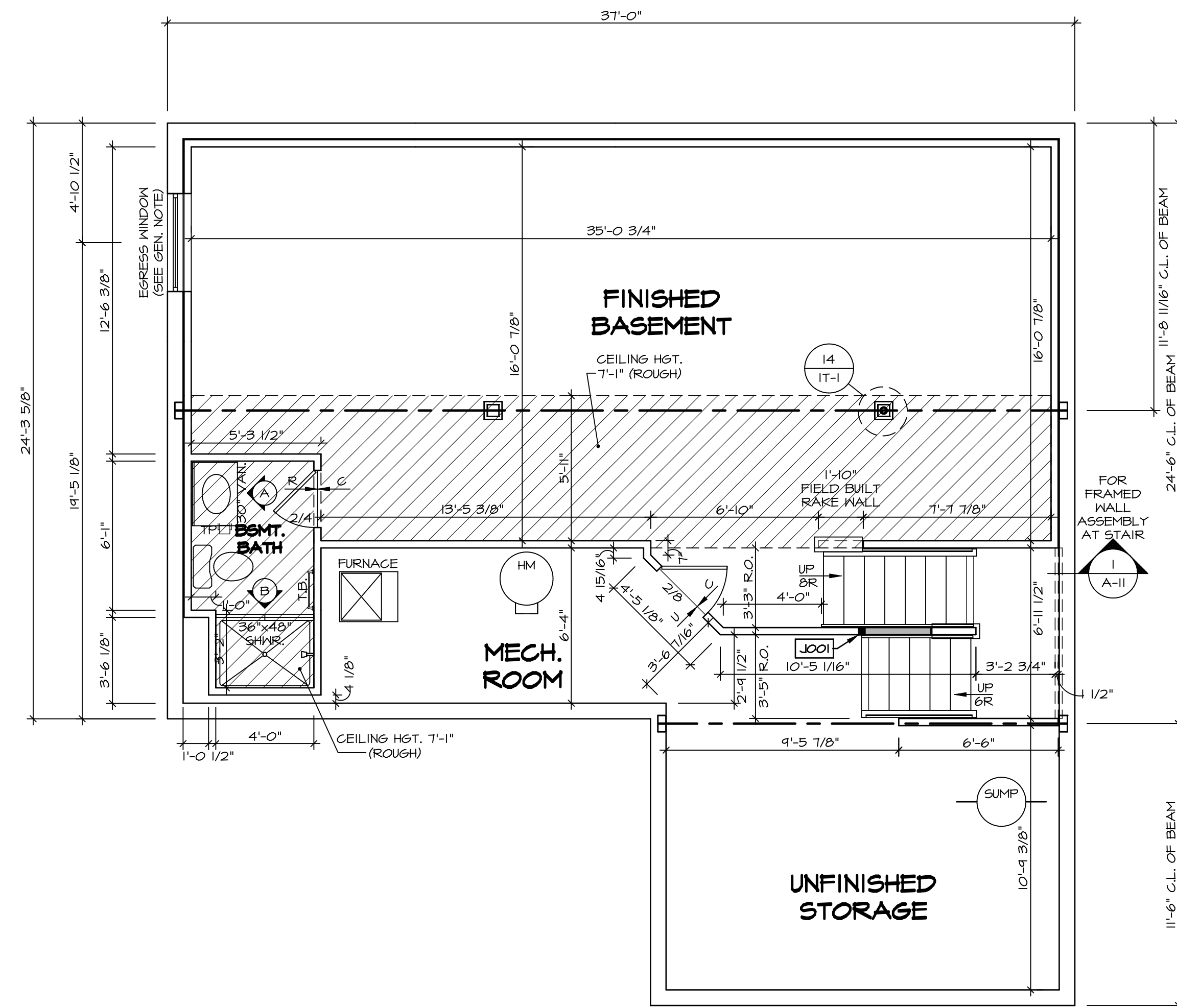
**PLUMBING PLAN**  
 SCALE: 1/4" = 1'-0"

**NOTE**  
 RADON REMEDIATION  
 RADON LOOP:  
 - (4") PERFORATED HDPE "LOOP"  
 - MUST BE PLACED IN STONE BED SLIGHTLY HIGHER THAN ANY INTERIOR DRAINTILE  
 - LOOP TO BE SEPARATE FROM ANY DRAINTILE ELEMENTS  
 - TO BE CORRUGATED HDPE PIPE  
 - SCREWS TO BE INSTALLED THROUGH LOOP AT TEE UP INTO STACK  
 STACK REQUIREMENTS:  
 - 3" PVC STACK (4" IF BASEMENT IS GREATER THAN 2200 SQFT)  
 - NO PART OF STACK IS TO BE HORIZONTAL  
 - PIPE TO BE PHYSICALLY LABELED IN THE FIELD AS "RADON VENT" OR OTHER JURISDICTIONALLY REQUIRED LANGUAGE (ON EVERY LEVEL OF HOUSE)  
 - ROOF TERMINATION TO BE IN TOP 1/3 OF ROOF  
 - SCREEN INSTALLED TO KEEP PESTS OUT OF RADON VENT AT ROOF TERMINATION

SHEET NO. <b>A-5</b>	MODEL <b>COLUMBIA</b>	SET NO. CLMOO VERSION 01	REVISIONS
	DRAWING TITLE <b>PLUMBING PLAN GROUNDWORKS</b>	DRAWN BY JAB	DATE:
OPTION DESCRIPTION	OPTION	REV. NO.	DATE
<b>23</b>			



NVR, Inc., owner, expressly reserves its copyright in these plans. These plans are not to be reproduced, changed, copied, or otherwise used in any way without the prior written consent of NVR, Inc.



**LEGEND**

- BEARING WALL
- - - NON BEARING WALL
- ⊗ INDICATES BEARING FROM POINT-LOAD ABOVE
- J JACKS
- B BEAM/HEADER
- F PAD FOOTING
- ◇ STEEL COLUMN
- X PORTAL FRAME
- X JOIST/TRUSS
- LVL LVL
- (X) ENGINEERING PAGE NUMBER

SEE FC DETAILS FOR FRAMING CONNECTORS

- FLOOR PLAN NOTES**
- ALL HEADERS ARE (2) 2x6 w/ 2x4 WALLS OR (3) 2x6 w/ 2x6 WALLS, UNLESS OTHERWISE NOTED.
  - ALL HEADERS TO HAVE (1) 2x4 OR 2x6 JACK AND KING STUD EACH END, UNLESS OTHERWISE NOTED.
  - ALL EXTERIOR WALLS TO BE 4" w/ OSB OR 3 1/2" w/ T-PLY, ALL INTERIOR WALLS TO BE 3 1/2", UNLESS OTHERWISE NOTED.
  - HATCHED AREAS INDICATE DROPPED CEILINGS. ALL DROPPED CEILINGS ARE 12" UNLESS OTHERWISE NOTED.
  - SEE "BRACED WALL PANEL DETAIL SHEET" FOR SPECIAL WALL FRAMING LOCATIONS AND HEADER SIZES, IF APPLICABLE.
  - SEE STANDARD DETAIL CATEGORY "IT" SHEET(S) FOR INTERIOR TRIM DETAILS.
  - SEE ARCHITECTURAL DETAIL SHEET "AD" FOR HOUSE SPECIFIC INTERIOR TRIM OPTION TABLE.
  - ALL WINDOWS HAVE 7'-0 1/2" HEADER HEIGHT UNLESS OTHERWISE NOTED.
  - ALL HEADERS IN NON-BEARING WALLS SHALL BE A SINGLE FLAT 2x4 OR 2x6 ATTACHED TO CRIPPLES ABOVE, UNLESS OTHERWISE NOTED.
  - TANKED WATER HEATER SHOWN AS BASE CONDITION. OPTIONAL TANKLESS WATER HEATER IS AVAILABLE IN LIEU OF TANKED WATER HEATER.

**GYPSTUM NOTES**

AT GARAGE:  
GYPSUM BOARD AT COMMON WALLS, CEILINGS, BEAM WRAPS AND SUPPORTS PER STANDARD DETAIL FA-1(b) FIRE ASSEMBLIES OR AS REQUIRED BY LOCAL CODE.

AT STAIRS:  
1/2" GYPSUM BOARD AT UNDERSIDE OF STAIRS AND WALLS IN CLOSET

**BASEMENT JACK SCHEDULE**

IDENTIFIER	DESCRIPTION	OPTIONS	ENG. NUM.	REMARKS
J001	JACK - (2) 2X4 SFF STUD GRADE	FBA	BO031	

**BASEMENT FLOOR PLAN**  
SCALE: 1/4" = 1'-0"

**MODEL**  
COLUMBIA

**DRAWING TITLE**  
BASEMENT FLOOR PLAN

**OPTION DESCRIPTION**  
BASEMENT FOUNDATION

**SHEET NO.**  
A-6

**26**

SET NO. CLM00  
VERSION 01  
DRAWN BY CVB  
DATE:  
OPTION FEA

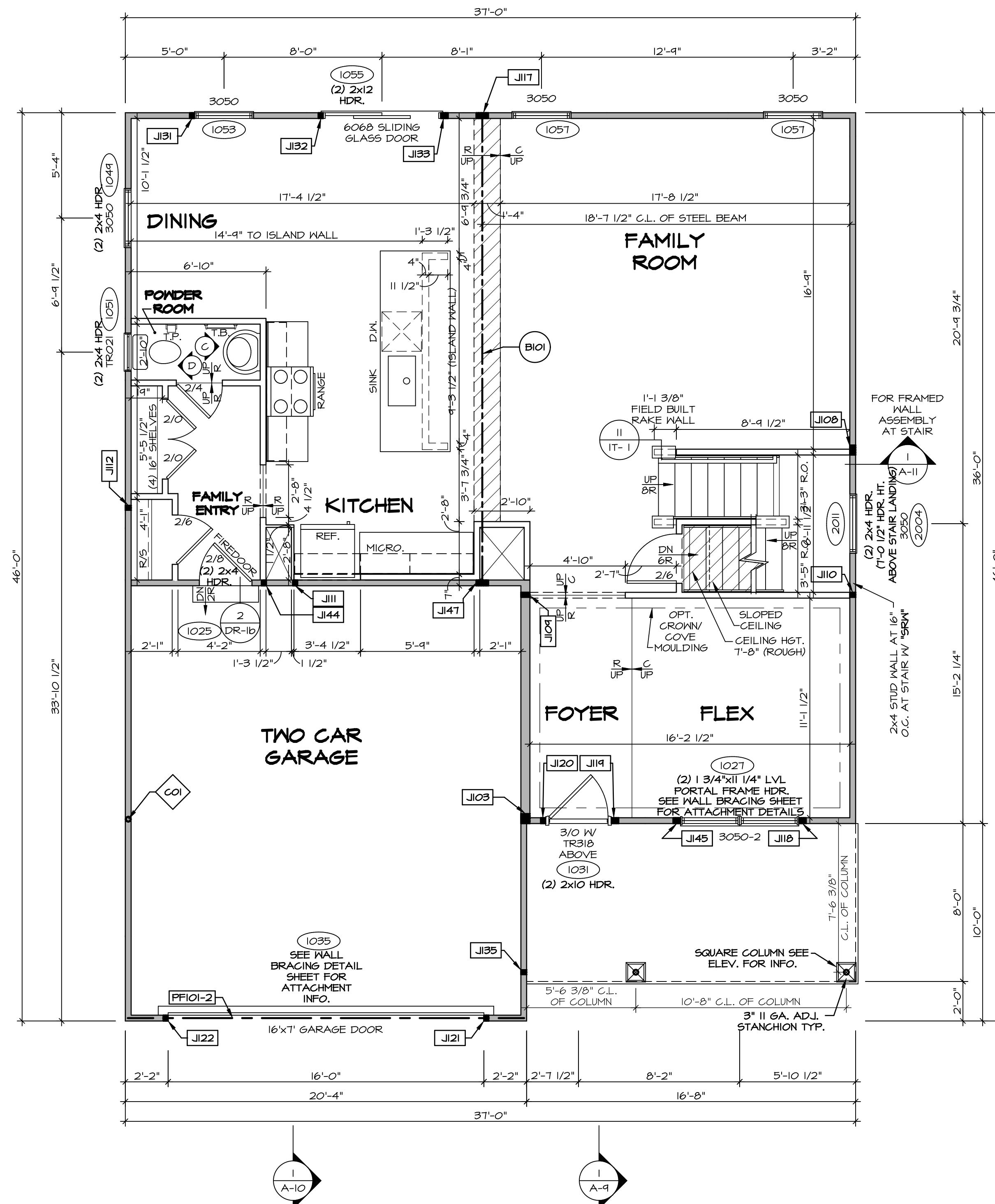
**NVR**  
NVR, Inc.  
Architectural Services  
Suite 100  
5285 West  
Frederick, MD 21703

REVISIONS

REV. NO. DATE

NVR, Inc., owner, expressly reserves its copyright in these plans. These plans are not to be reproduced, changed, copied, or otherwise used in any way without the written consent of NVR, Inc.

C:\NVR\Solves\COLUMBIA\_CLM00\_01\DCI-10-1504-92379\Sheets\1 - Specific\26 A-6 BSMT\_LS.dwg 10/25/18 1:50 pm



**FIRST FLOOR PLAN**  
SCALE: 1/4" = 1'-0"

**LEGEND**

- BEARING WALL
- NON BEARING WALL
- INDICATES BEARING FROM POINT-LOAD ABOVE
- JACKS
- BEAM/HEADER
- PAD FOOTING
- STEEL COLUMN
- PORTAL FRAME
- JOIST/TRUSS
- LVL
- ENGINEERING PAGE NUMBER

SEE FC DETAILS FOR FRAMING CONNECTORS

- FLOOR PLAN NOTES**
- ALL HEADERS ARE (2) 2x6 w/ 2x4 WALLS OR (3) 2x6 w/ 2x6 WALLS, UNLESS OTHERWISE NOTED.
  - ALL HEADERS TO HAVE (1) 2x4 OR 2x6 JACK AND KING STUD EACH END, UNLESS OTHERWISE NOTED.
  - ALL EXTERIOR WALLS TO BE 4" w/ OSB OR 3 1/2" w/ T-PLY, ALL INTERIOR WALLS TO BE 3 1/2", UNLESS OTHERWISE NOTED.
  - HATCHED AREAS INDICATE DROPPED CEILINGS. ALL DROPPED CEILINGS ARE 12" UNLESS OTHERWISE NOTED.
  - SEE "BRACED WALL PANEL DETAIL SHEET" FOR SPECIAL WALL FRAMING LOCATIONS AND HEADER SIZES, IF APPLICABLE.
  - SEE STANDARD DETAIL CATEGORY "IT" SHEET(S) FOR INTERIOR TRIM DETAILS.
  - SEE ARCHITECTURAL DETAIL SHEET "AD" FOR HOUSE SPECIFIC INTERIOR TRIM OPTION TABLE.
  - ALL WINDOWS HAVE T-O 1/2" HEADER HEIGHT UNLESS OTHERWISE NOTED.
  - ALL HEADERS IN NON-BEARING WALLS SHALL BE A SINGLE FLAT 2x4 OR 2x6 ATTACHED TO GRIPPLIES ABOVE, UNLESS OTHERWISE NOTED.
  - TANKED WATER HEATER SHOWN AS BASE CONDITION, OPTIONAL TANKLESS WATER HEATER IS AVAILABLE IN LIEU OF TANKED WATER HEATER.

**GYPSUM NOTES**

AT GARAGE:  
GYPSUM BOARD AT COMMON WALLS, CEILINGS, BEAM WRAPS AND SUPPORTS PER STANDARD DETAIL FA-1(b) FIRE ASSEMBLIES OR AS REQUIRED BY LOCAL CODE.

AT STAIRS:  
1/2" GYPSUM BOARD AT UNDERSIDE OF STAIRS AND WALLS IN CLOSET

**NOTE:**  
EXTERIOR WALLS DRAIN TO FRAMING WIDTH, EXTERIOR SHEATHING IS NOT INCLUDED IN WALL THICKNESS.

**LVL PLY TO PLY FASTENING SCHEDULE:** (WHERE APPLICABLE BASED ON LVL USAGE)

- (2) PLY UP TO AND INCLUDING 11 7/8" TALL; FASTEN PLYS w/ (2) ROWS 16D NAILS AT 12" O.C. OR ALT 1 1/2" WIDE LVL FASTEN PLYS w/ (3) ROWS 12D NAILS AT 12" O.C.
- (2) PLY 14" TO AND 18" TALL (INCLUSIVE); FASTEN PLYS w/ (3) ROWS 16D NAILS AT 12" O.C. OR ALT 1 1/2" WIDE LVL FASTEN PLYS w/ (4) ROWS 12D NAILS AT 12" O.C.
- (2) PLY 20" TALL AND OVER; FASTEN PLYS w/ (4) ROWS 16D NAILS AT 12" O.C. OR ALT 1 1/2" WIDE LVL FASTEN PLYS w/ (5) ROWS 12D NAILS AT 12" O.C.
- (3) PLY UP TO AND INCLUDING 11 7/8" TALL; FASTEN PLYS w/ (2) ROWS 16D NAILS AT 12" O.C. FROM EACH SIDE OR ALT 1 1/2" WIDE LVL FASTEN PLYS w/ (3) ROWS 12D NAILS AT 12" O.C. FROM EACH SIDE.
- (3) PLY 14" TO AND 18" TALL (INCLUSIVE); FASTEN PLYS w/ (3) ROWS 16D NAILS AT 12" O.C. FROM EACH SIDE OR ALT 1 1/2" WIDE LVL FASTEN PLYS w/ (4) ROWS 12D NAILS AT 12" O.C. FROM EACH SIDE.
- (3) PLY 20" TALL AND OVER; FASTEN PLYS w/ (4) ROWS 16D NAILS AT 12" O.C. FROM EACH SIDE OR ALT 1 1/2" WIDE LVL FASTEN PLYS w/ (5) ROWS 12D NAILS AT 12" O.C. FROM EACH SIDE.
- (4) PLY (ALL SIZES); FASTEN PLYS w/ (2) ROWS 1/2" DIAMETER A307 BOLTS AT 24" O.C. SEE SHOP DRAWING FOR ADDITIONAL INFORMATION.

**FIELD INSTALLED FIRST FLOOR BEAM/HEADER SCHEDULE**

IDENTIFIER	DESCRIPTION	LENGTH	OPTIONS	ENS. NUM.	REMARKS
BIO1	BEAM STEEL - W12X30	23'-10 3/4"		1023	
PF101-2	LVL 1.75 - 11-04	20'-1"	6CB/ 6CF	1035	

**STEEL COLUMN SCHEDULE**

IDENTIFIER	STYLE	HEIGHT	OPTIONS	ENS. NUM.	REMARKS
CO1	STANCHION - 3 IN SCHED 40	9'-6"	6CB/ 6CF, ELA/ ELB/ ELK/ ELL, 5XC, FBA/ FCA	1006	

**FIRST FLOOR JACK SCHEDULE**

IDENTIFIER	DESCRIPTION	OPTIONS	ENS. NUM.	REMARKS
JI03	JACK - (4) 2x6 SPF STUD GRADE	5XC, ELA/ ELK	1006	
JI08	JACK - (4) 2x4 SPF STUD GRADE		1014	
JI09	JACK - (2) 2x6 SPF STUD GRADE		1016	
JI10	JACK - (2) 2x4 SPF STUD GRADE		1016	
JI11	JACK - (2) 2x4 SPF STUD GRADE		1018	
JI12	JACK - (2) 2x4 SPF STUD GRADE		1020	
JI17	JACK - (5) 2x4 SPF#1		1023	
JI18	JACK - (3) 2x4 SPF STUD GRADE		1021	
JI19	JACK - (3) 2x4 SPF STUD GRADE	ELA/ ELK/ ELK	1031	
JI20	JACK - (2) 2x4 SPF STUD GRADE	ELA/ ELK/ ELK	1031	
JI21	JACK - (2) 2x4 SPF STUD GRADE	6CB/ 6CF	1035	
JI22	JACK - (2) 2x4 SPF STUD GRADE	6CB/ 6CF	1035	
JI31	JACK - (2) 2x4 SPF STUD GRADE		1053	
JI32	JACK - (2) 2x4 SPF STUD GRADE		1055	
JI33	JACK - (3) 2x4 SPF STUD GRADE		1055	
JI35	JACK - (2) 2x4 SPF STUD GRADE		1063	
JI44	JACK - (2) 2x4 SPF STUD GRADE		1018	
JI45	JACK - (3) 2x4 SPF STUD GRADE		1021	
JI47	JACK - (5) 2x4 SPF#1		1023	

REMARKS

REV. NO.	DATE	DESCRIPTION
1	1/4/19	DRA - ADDED GENERAL NOTE FOR EXTERIOR WALLS
2	05/30/19	5/15 - PAR #51650

NVR, Inc., owner, expressly reserves its copyright in these plans. These plans are not to be reproduced, changed, copied, or otherwise used in any way without the written consent of NVR, Inc.

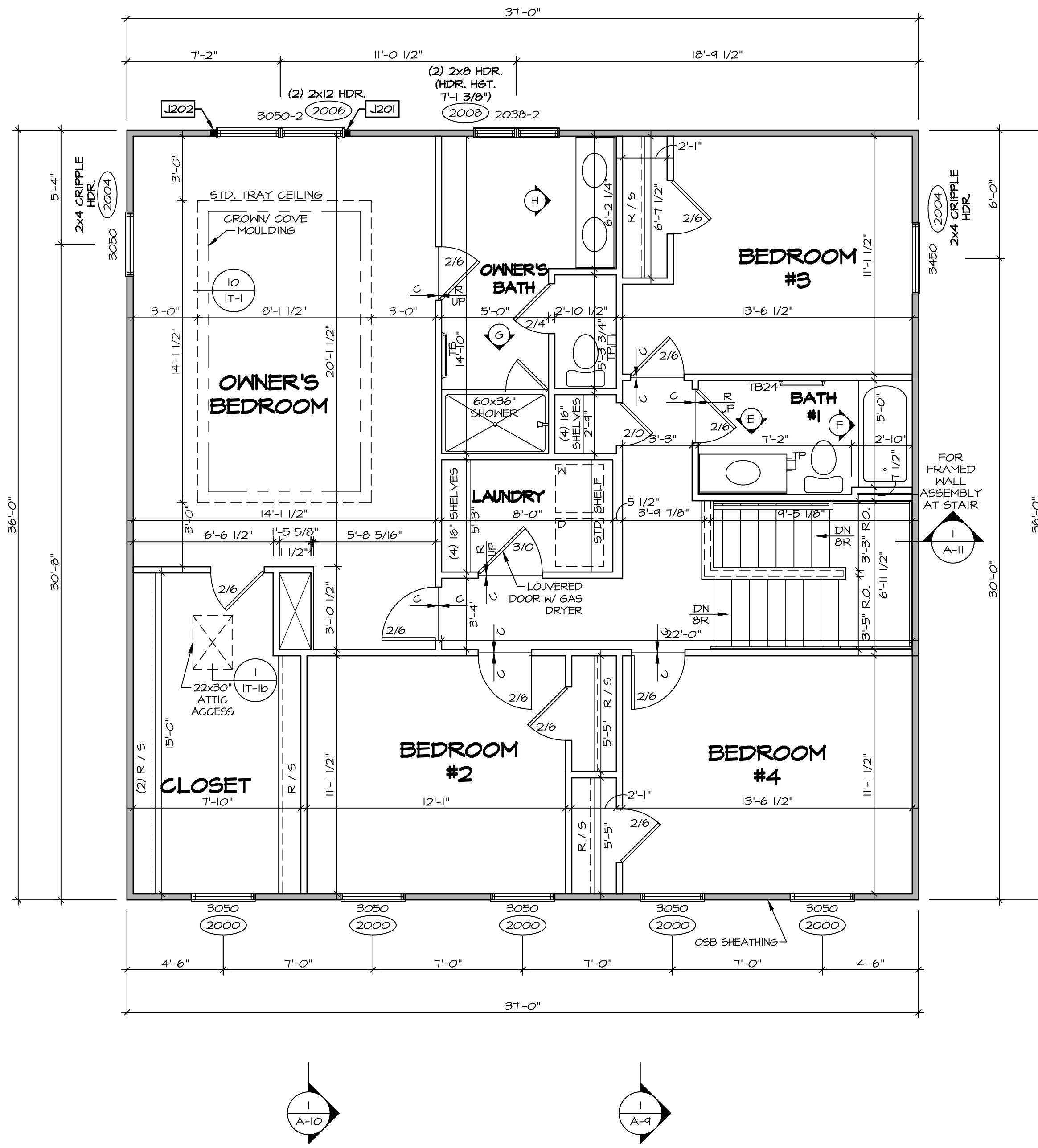
**NVR**  
Architectural Services  
100  
5285  
Frederick, MD 21703

SET NO. CLM00  
VERSION 01  
DRAWN BY: ARY  
DATE:  
OPTION

MODEL: COLUMBIA  
DRAWING TITLE: FIRST FLOOR PLAN  
OPTION DESCRIPTION

SHEET NO. A-7  
27

C:\NVR\Solves\COLUMBIA\_CLM00\_01\DCY-10-1504-92379\Sheets\A-7\_PLN1\_LS.dwg 10/25/18 1:50 pm



**SECOND FLOOR PLAN**  
SCALE: 1/4" = 1'-0"

**LEGEND**

- BEARING WALL
- NON BEARING WALL
- INDICATES BEARING FROM POINT-LOAD ABOVE
- JACKS
- BEAM/HEADER
- PAD FOOTING
- STEEL COLUMN
- PORTAL FRAME
- JOIST/TRUSS
- LVL
- ENGINEERING PAGE NUMBER

SEE FC DETAILS FOR FRAMING CONNECTORS

**NOTE:**  
EXTERIOR WALLS DRAWN TO FRAMING WIDTH, EXTERIOR SHEATHING IS NOT INCLUDED IN WALL THICKNESS.

- FLOOR PLAN NOTES**
1. ALL HEADERS ARE (2) 2x6 w/ 2x4 WALLS OR (3) 2x6 w/ 2x6 WALLS, UNLESS OTHERWISE NOTED.
  2. ALL HEADERS TO HAVE (1) 2x4 OR 2x6 JACK AND KING STUD EACH END, UNLESS OTHERWISE NOTED.
  3. ALL EXTERIOR WALLS TO BE 4" w/ OSB OR 3 1/2" w/ T-PLY, ALL INTERIOR WALLS TO BE 3 1/2", UNLESS OTHERWISE NOTED.
  4. HATCHED AREAS INDICATE DROPPED CEILING. ALL DROPPED CEILING ARE 12" UNLESS OTHERWISE NOTED.
  5. SEE "BRACED WALL PANEL DETAIL SHEET" FOR SPECIAL WALL FRAMING LOCATIONS AND HEADER SIZES, IF APPLICABLE.
  6. SEE STANDARD DETAIL CATEGORY "IT" SHEET(S) FOR INTERIOR TRIM DETAILS.
  7. SEE ARCHITECTURAL DETAIL SHEET "AD" FOR HOUSE SPECIFIC INTERIOR TRIM OPTION TABLE.
  8. ALL WINDOWS HAVE 7'-0 1/2" HEADER HEIGHT UNLESS OTHERWISE NOTED.
  9. ALL HEADERS IN NON-BEARING WALLS SHALL BE A SINGLE FLAT 2x4 OR 2x6 ATTACHED TO CRIPPLES ABOVE, UNLESS OTHERWISE NOTED.
  10. TANKED WATER HEATER SHOWN AS BASE CONDITION. OPTIONAL TANKLESS WATER HEATER IS AVAILABLE IN LIEU OF TANKED WATER HEATER.

**GYPSUM NOTES**

AT GARAGE:  
GYPSUM BOARD AT COMMON WALLS, CEILING, BEAM WRAPS AND SUPPORTS PER STANDARD DETAIL FA-1(b) FIRE ASSEMBLY OR AS REQUIRED BY LOCAL CODE.

AT STAIRS:  
1/2" GYPSUM BOARD AT UNDERSIDE OF STAIRS AND WALLS IN CLOSET

**SECOND FLOOR JACK SCHEDULE**

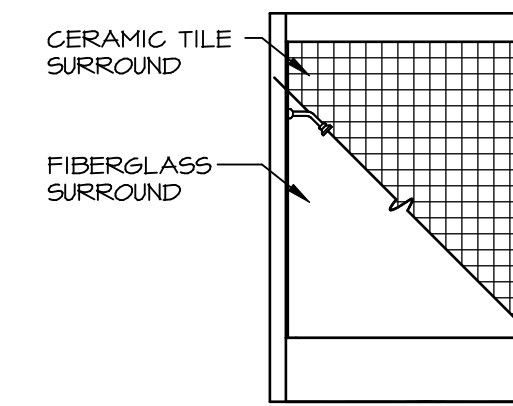
IDENTIFIER	DESCRIPTION	OPTIONS	ENG. NUM.	REMARKS
J201	JACK - (2) 2x4 SPF STUD GRADE		2006	
J202	JACK - (2) 2x4 SPF STUD GRADE		2006	

<b>SHEET NO.</b> A-8	<b>MODEL</b> COLUMBIA	<b>SET NO.</b> CLM00	<b>VERSION</b> 01	<b>DATE</b> 1/4/18
<b>DRAWING TITLE</b> SECOND FLOOR PLAN	<b>DRAWN BY</b> ARM	<b>ARCHITECTURAL SERVICES</b> NVR, Inc.	<b>DATE</b> 1/4/18	<b>REVISIONS</b>
<b>OPTION DESCRIPTION</b>	<b>OPTION</b>	<p>5285 West... Frederick, MD 21703</p> <p>107/25/18 1:50 pm</p>		

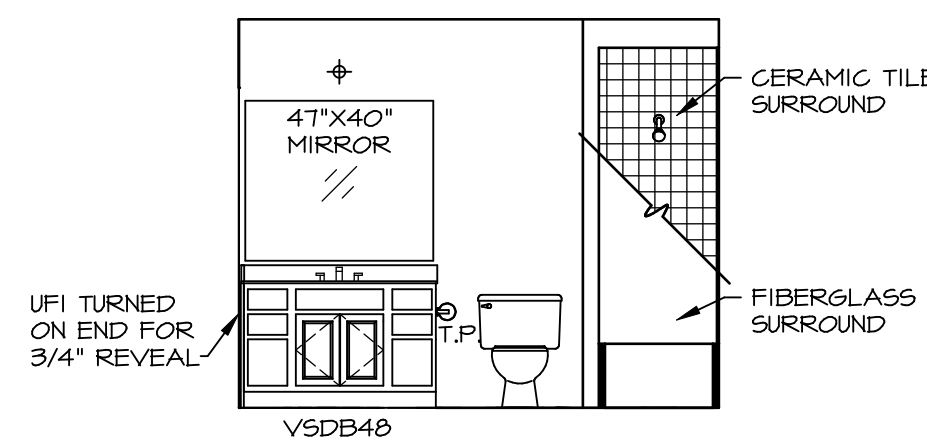


**NOTES:**

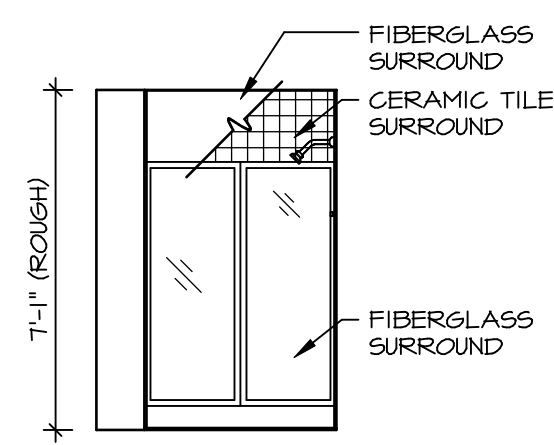
1. TEMPERED GLASS SHOWER ENCLOSURE WITH SLIDING DOOR OR OPTIONAL SLIDING DOOR BY DIVISION
2. TUB ACCESS PANELS PROVIDED AS NEEDED, ALL MATERIALS BY DIVISION
3. REFER TO SHEET D-XX FOR TUB AND SHOWER DETAILS.
4. ALL V5DB24-42 DRAWERS TO BE SET ON RIGHT HAND.
5. ALL BATH ELEVATIONS ARE SHOWN PER PLAN.



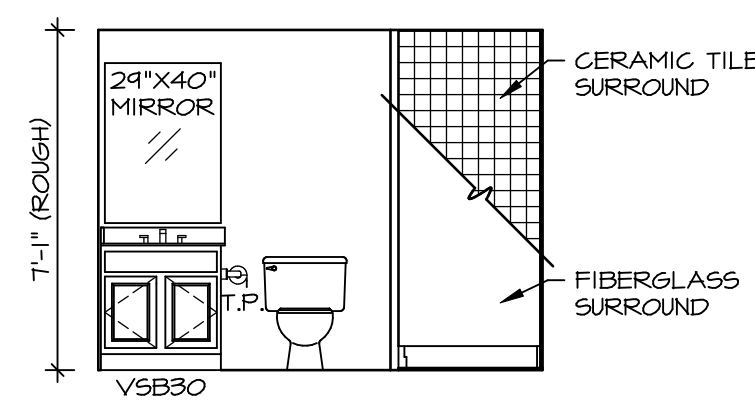
**F BATH #1**  
SCALE: 1/4" = 1'-0"



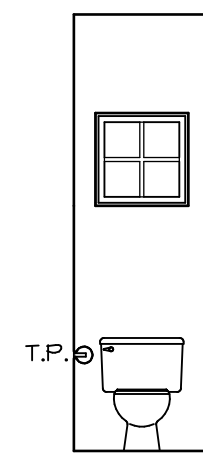
**E BATH #1**  
SCALE: 1/4" = 1'-0"



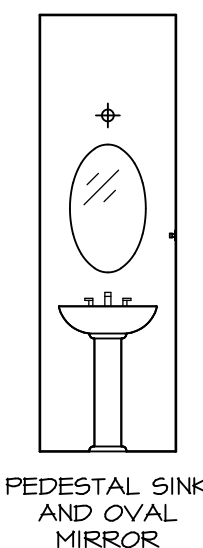
**B BASEMENT BATH**  
SCALE: 1/4" = 1'-0" BASEMENT BATH "AEB"



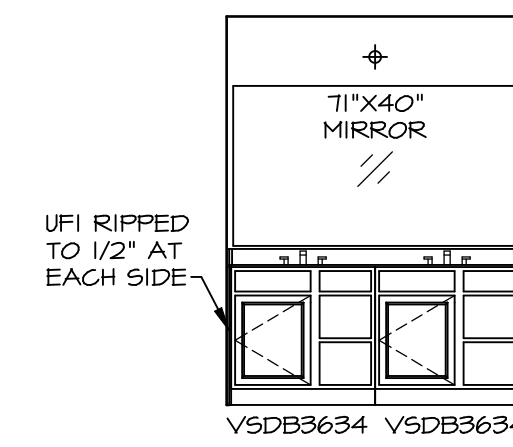
**A BASEMENT BATH**  
SCALE: 1/4" = 1'-0" BASEMENT BATH "AEB"



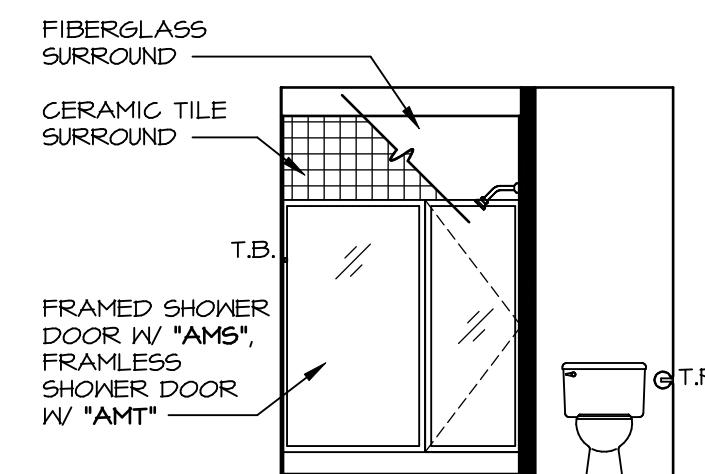
**D POWDER ROOM**  
SCALE: 1/4" = 1'-0"



**C POWDER ROOM**  
SCALE: 1/4" = 1'-0"



**H OWNER'S BATH**  
SCALE: 1/4" = 1'-0" OWNER'S BATHROOM SHOWER "AMA"

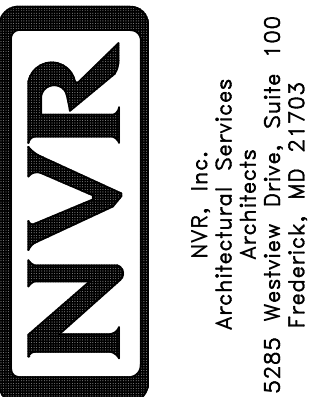


**G OWNER'S BATH**  
SCALE: 1/4" = 1'-0" OWNER'S BATHROOM SHOWER "AMA"

REMARKS

REV. NO. DATE

NVR, Inc., owner, expressly reserves its copyright in these plans. These plans are not to be reproduced, changed, copied in any way, or otherwise used without the written consent of NVR, Inc.



SET NO. CLM00  
VERSION 01  
DRAWN BY ARY  
DATE:  
OPTION

MODEL COLUMBIA  
DRAWING TITLE BATH ELEVATIONS  
OPTION DESCRIPTION  
SHEET NO. A-13  
46