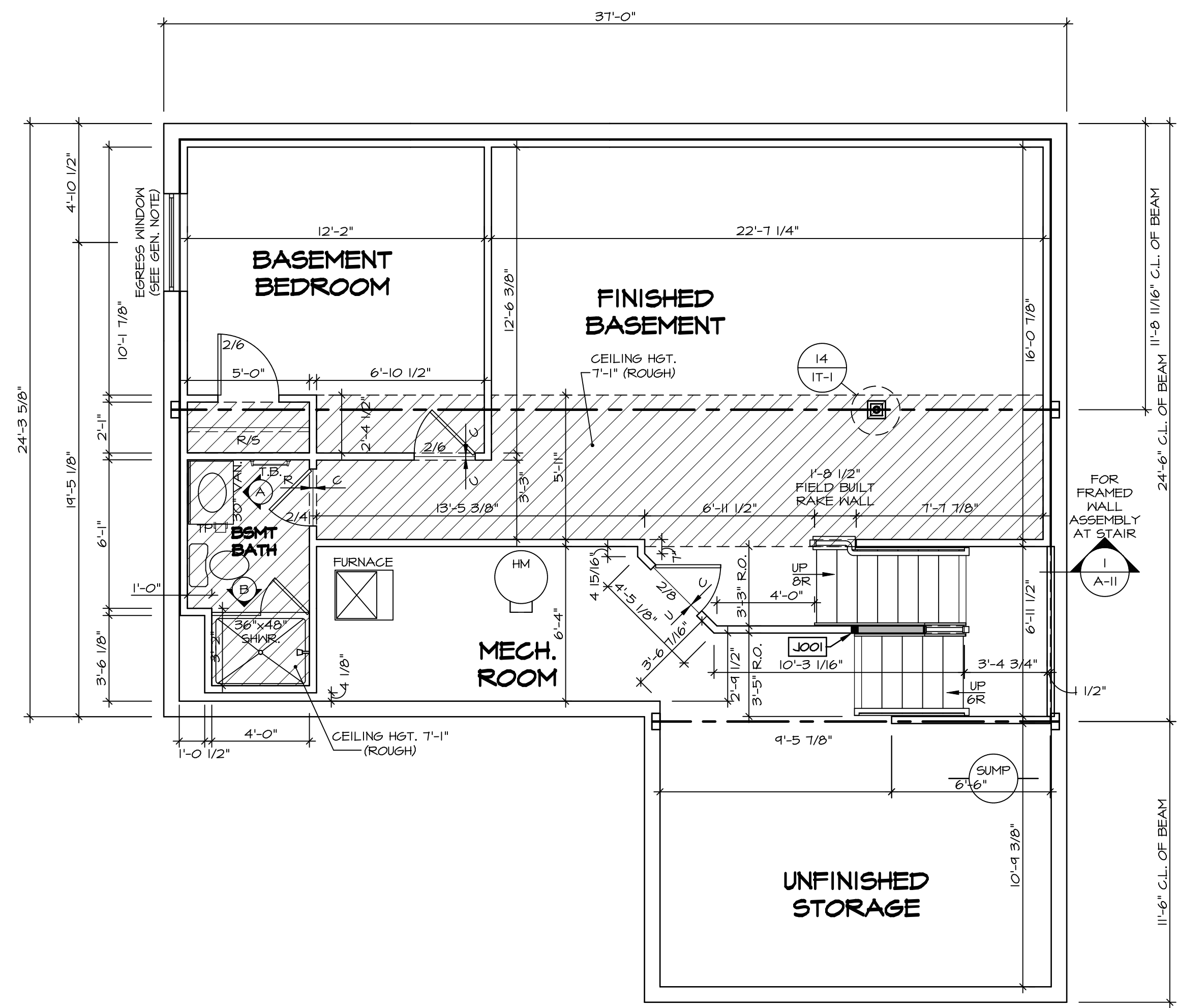


1
A-5 PLUMBING PLAN
SCALE: 1/4" = 1'-0"

NOTE
 RADON REMEDIATION
 RADON LOOP:
 - (4") PERFORATED HDPE "LOOP"
 - MUST BE PLACED IN STONE BED SLIGHTLY HIGHER THAN ANY INTERIOR DRAINTILE
 - LOOP TO BE SEPARATE FROM ANY DRAINTILE ELEMENTS
 - TO BE CORRUGATED HDPE PIPE
 - SCREWS TO BE INSTALLED THROUGH LOOP AT TEE UP INTO STACK
 STACK REQUIREMENTS:
 - 3" PVC STACK (4" IF BASEMENT IS GREATER THAN 2200 SQFT.)
 - NO PART OF STACK IS TO BE HORIZONTAL
 - PIPE TO BE PHYSICALLY LABELED IN THE FIELD AS "RADON VENT" OR OTHER JURISDICTIONALLY REQUIRED LANGUAGE (ON EVERY LEVEL OF HOUSE)
 - ROOF TERMINATION TO BE IN TOP 1/3 OF ROOF
 - SCREEN INSTALLED TO KEEP PESTS OUT OF RADON VENT AT ROOF TERMINATION

SHEET NO. A-5	MODEL COLUMBIA	SET NO. CLM00	VERSION 01
		DRAWING TITLE PLUMBING PLAN	DRAWN BY JAB
23	OPTION DESCRIPTION GROUNDWORKS	DATE:	OPTION
		NVR, Inc. Suite 100 Fredericks, MD 21703	
DIV-COMM-LOT-UNIT DCY-VG-L540		© NVR, Inc. expressly reserves the right to modify or amend these plans at any time without notice. These plans are not to be reproduced, changed or altered in any way without the written consent of NVR, Inc.	
COMM-LOT VILLES OF MINDING CREEK WARR CO - L540		NVR, Inc. Suite 100 Fredericks, MD 21703	
STREET ADDRESS 1800 MINDING RUN BLVD		04/09/20 - 3:05 am	
CITY CENTERVILLE	STATE OH	ZIP 45459	



BASEMENT FLOOR PLAN
SCALE: 1/4" = 1'-0"

LEGEND

- BEARING WALL
- NON BEARING WALL
- INDICATES BEARING FROM POINT-LOAD ABOVE
- JACKS
- BEAM/HEADER
- PAD FOOTING
- STEEL COLUMN
- PORTAL FRAME
- JOIST/TRUSS
- LVL
- ENGINEERING PAGE NUMBER

SEE FC DETAILS FOR FRAMING CONNECTORS

- FLOOR PLAN NOTES**
1. ALL HEADERS ARE (2) 2x6 w/ 2x4 WALLS OR (3) 2x6 w/ 2x6 WALLS, UNLESS OTHERWISE NOTED.
 2. ALL HEADERS TO HAVE (1) 2x4 OR 2x6 JACK AND KING STUD EACH END, UNLESS OTHERWISE NOTED.
 3. ALL EXTERIOR WALLS TO BE 4" w/ OSB OR 3 1/2" w/ T-PLY, ALL INTERIOR WALLS TO BE 3 1/2", UNLESS OTHERWISE NOTED.
 4. HATCHED AREAS INDICATE DROPPED CEILING. ALL DROPPED CEILING ARE 12" UNLESS OTHERWISE NOTED.
 5. SEE "BRACED WALL PANEL DETAIL SHEET" FOR SPECIAL WALL FRAMING LOCATIONS AND HEADER SIZES, IF APPLICABLE.
 6. SEE STANDARD DETAIL CATEGORY "IT" SHEET(S) FOR INTERIOR TRIM DETAILS.
 7. SEE ARCHITECTURAL DETAIL SHEET "AD" FOR HOUSE SPECIFIC INTERIOR TRIM OPTION TABLE.
 8. ALL WINDOWS HAVE 7'-0 1/2" HEADER HEIGHT UNLESS OTHERWISE NOTED.
 9. ALL HEADERS IN NON-BEARING WALLS SHALL BE A SINGLE FLAT 2x4 OR 2x6 ATTACHED TO CRIPPLES ABOVE, UNLESS OTHERWISE NOTED.
 10. TANKED WATER HEATER SHOWN AS BASE CONDITION. OPTIONAL TANKLESS WATER HEATER IS AVAILABLE IN LIEU OF TANKED WATER HEATER.

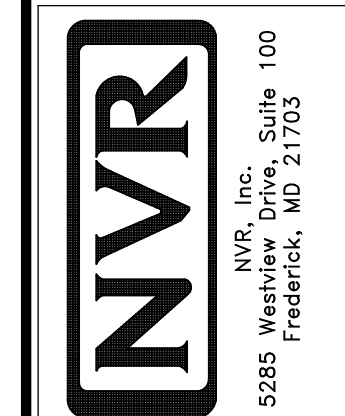
- GYPSUM NOTES**
- AT GARAGE:
GYPSUM BOARD AT COMMON WALLS, CEILING, BEAM WRAPS AND SUPPORTS PER STANDARD DETAIL FA-1(b) FIRE ASSEMBLIES OR AS REQUIRED BY LOCAL CODE.
- AT STAIRS:
1/2" GYPSUM BOARD AT UNDERSIDE OF STAIRS AND WALLS IN CLOSET

BASEMENT JACK SCHEDULE

IDENTIFIER	DESCRIPTION	OPTIONS	ENG. NUM.	REMARKS
J001	JACK - (2) 2X4 SFF STUD GRADE	FBA	BO031	

DIV-COMM-LOT-UNIT
DCY-YG-L540
COMM-LOT
VILGES OF WINDING CREEK WARR CO - L540
STREET ADDRESS
1800 WINDING RUN BLVD
CITY
CENTERVILLE
STATE
OH
ZIP
45459

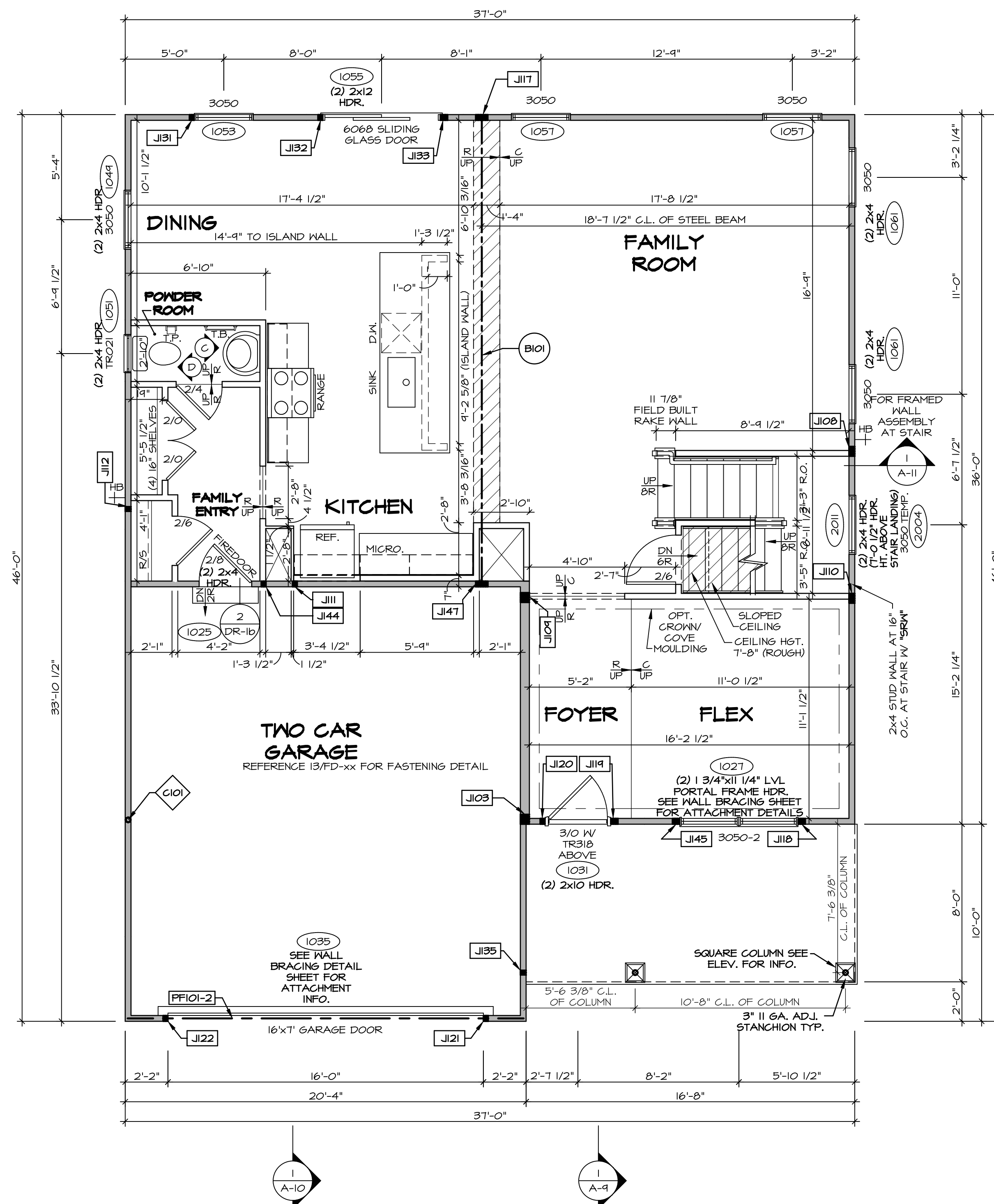
© NVR, Inc. The owner expressly reserves the copyright in these plans. These plans are not to be reproduced, changed or copied in any way without the written consent of NVR, Inc.



SET NO. CLM00
VERSION 01
DRAWN BY CVB
DATE:
OPTION FEA

MODEL
COLUMBIA
DRAWING TITLE
BASEMENT FLOOR PLAN
OPTION DESCRIPTION
BASEMENT FOUNDATION

SHEET NO.
A-6
26



FIRST FLOOR PLAN
SCALE: 1/4" = 1'-0"

LEGEND

- BEARING WALL
- NON BEARING WALL
- INDICATES BEARING FROM POINT-LOAD ABOVE
- JACKS
- BEAM/HEADER
- PAD FOOTING
- STEEL COLUMN
- PORTAL FRAME
- JOIST/TRUSS
- LVL
- ENGINEERING PAGE NUMBER

SEE FC DETAILS FOR FRAMING CONNECTORS

NOTE:
EXTERIOR WALLS DRAIN TO FRAMING WIDTH, EXTERIOR SHEATHING IS NOT INCLUDED IN WALL THICKNESS.

- FLOOR PLAN NOTES**
- ALL HEADERS ARE (2) 2x6 W/ 2x4 WALLS OR (3) 2x6 W/ 2x6 WALLS, UNLESS OTHERWISE NOTED.
 - ALL HEADERS TO HAVE (1) 2x4 OR 2x6 JACK AND KING STUD EACH END, UNLESS OTHERWISE NOTED.
 - ALL EXTERIOR WALLS TO BE 4" W/ OSB OR 3 1/2" W/ T-PLY, ALL INTERIOR WALLS TO BE 3 1/2", UNLESS OTHERWISE NOTED.
 - HATCHED AREAS INDICATE DROPPED CEILINGS. ALL DROPPED CEILINGS ARE 12" UNLESS OTHERWISE NOTED.
 - SEE "BRACED WALL PANEL DETAIL SHEET" FOR SPECIAL WALL FRAMING LOCATIONS AND HEADER SIZES, IF APPLICABLE.
 - SEE STANDARD DETAIL CATEGORY "IT" SHEET(S) FOR INTERIOR TRIM DETAILS.
 - SEE ARCHITECTURAL DETAIL SHEET "AD" FOR HOUSE SPECIFIC INTERIOR TRIM OPTION TABLE.
 - ALL WINDOWS HAVE T-O 1/2" HEADER HEIGHT UNLESS OTHERWISE NOTED.
 - ALL HEADERS IN NON-BEARING WALLS SHALL BE A SINGLE FLAT 2x4 OR 2x6 ATTACHED TO CRIPPLES ABOVE, UNLESS OTHERWISE NOTED.
 - TANKED WATER HEATER SHOWN AS BASE CONDITION, OPTIONAL TANKLESS WATER HEATER IS AVAILABLE IN LIEU OF TANKED WATER HEATER.

GYPSUM NOTES

AT GARAGE:
GYPSUM BOARD AT COMMON WALLS, CEILINGS, BEAM WRAPS AND SUPPORTS PER STANDARD DETAIL FA-1(b) FIRE ASSEMBLIES OR AS REQUIRED BY LOCAL CODE.

AT STAIRS:
1/2" GYPSUM BOARD AT UNDERSIDE OF STAIRS AND WALLS IN CLOSET

LVL PLY TO PLY FASTENING SCHEDULE: (WHERE APPLICABLE BASED ON LVL USAGE)

- (2) PLY UP TO AND INCLUDING 11 7/8" TALL; FASTEN PLYS W/ (2) ROWS 16D NAILS AT 12" O.C. OR ALT 1 1/2" WIDE LVL FASTEN PLYS W/ (3) ROWS 12D NAILS AT 12" O.C.
- (2) PLY 14" TO AND INCLUDING 18" TALL (INCLUSIVE); FASTEN PLYS W/ (3) ROWS 16D NAILS AT 12" O.C. OR ALT 1 1/2" WIDE LVL FASTEN PLYS W/ (4) ROWS 12D NAILS AT 12" O.C.
- (2) PLY 20" TALL AND OVER; FASTEN PLYS W/ (4) ROWS 16D NAILS AT 12" O.C. OR ALT 1 1/2" WIDE LVL FASTEN PLYS W/ (5) ROWS 12D NAILS AT 12" O.C.
- (3) PLY UP TO AND INCLUDING 11 7/8" TALL; FASTEN PLYS W/ (2) ROWS 16D NAILS AT 12" O.C. FROM EACH SIDE OR ALT 1 1/2" WIDE LVL FASTEN PLYS W/ (3) ROWS 12D NAILS AT 12" O.C. FROM EACH SIDE.
- (3) PLY 14" TO AND INCLUDING 18" TALL (INCLUSIVE); FASTEN PLYS W/ (3) ROWS 16D NAILS AT 12" O.C. FROM EACH SIDE OR ALT 1 1/2" WIDE LVL FASTEN PLYS W/ (4) ROWS 12D NAILS AT 12" O.C. FROM EACH SIDE.
- (3) PLY 20" TALL AND OVER; FASTEN PLYS W/ (4) ROWS 16D NAILS AT 12" O.C. FROM EACH SIDE OR ALT 1 1/2" WIDE LVL FASTEN PLYS W/ (5) ROWS 12D NAILS AT 12" O.C. FROM EACH SIDE.
- (4) PLY (ALL SIZES); FASTEN PLYS W/ (2) ROWS 1/2" DIAMETER A307 BOLTS AT 24" O.C. SEE SHOP DRAWING FOR ADDITIONAL INFORMATION.

FIELD INSTALLED FIRST FLOOR BEAM/HEADER SCHEDULE

IDENTIFIER	DESCRIPTION	LENGTH	OPTIONS	ENG. NUM.	REMARKS
B101	BEAM STEEL - W12X30	23'-10 3/4"		1023	
PF101-2	LVL 1.75 - 11-04	20'-1"	6CB/6CF	1035	

STEEL COLUMN SCHEDULE

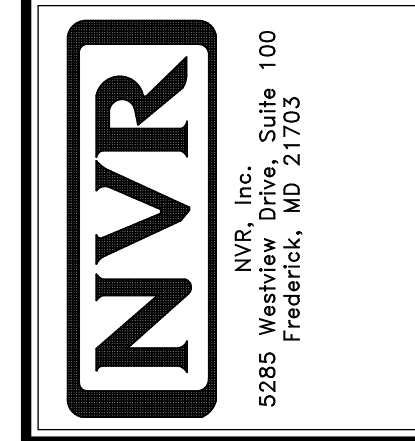
IDENTIFIER	STYLE	HEIGHT	OPTIONS	ENG. NUM.	REMARKS
C101	STANCHION - 3 IN SCHED 40	9'-6"	6CB/6CF, ELA/ELK, ELA/ELK/ELL, SXC, FBA/FCA	1006	

FIRST FLOOR JACK SCHEDULE

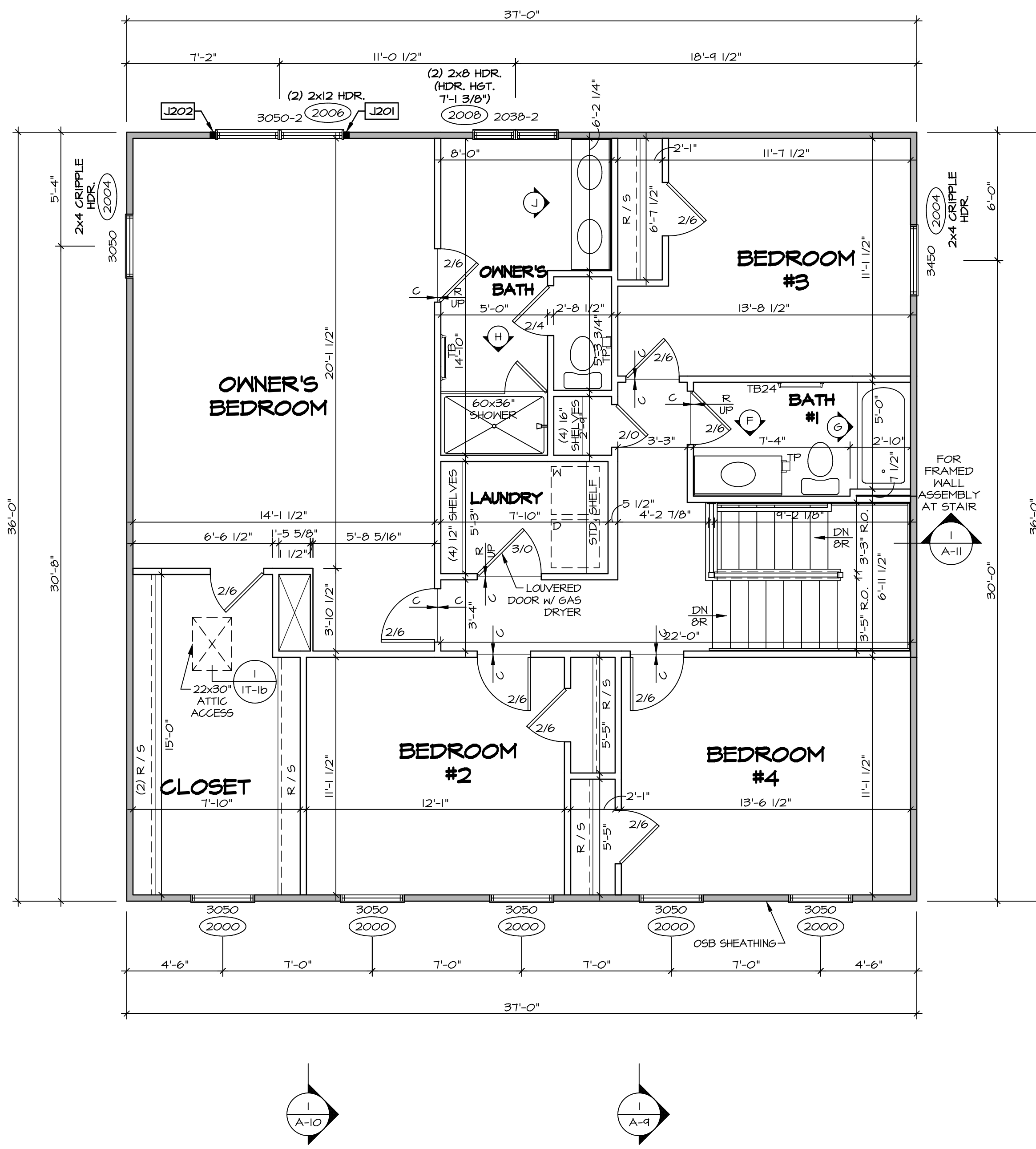
IDENTIFIER	DESCRIPTION	OPTIONS	ENG. NUM.	REMARKS
J103	JACK - (4) 2x6 SPF STUD GRADE	SXC, ELA/ ELK	1006	
J108	JACK - (4) 2x4 SPF STUD GRADE		1014	
J109	JACK - (4) 2x6 SPF STUD GRADE		1016	
J110	JACK - (4) 2x4 SPF STUD GRADE		1018	
J111	JACK - (2) 2x4 SPF STUD GRADE		1018	
J112	JACK - (2) 2x4 SPF STUD GRADE		1020	
J117	JACK - (5) 2x4 SPH		1023	
J118	JACK - (5) 2x4 SPF STUD GRADE		1021	
J119	JACK - (5) 2x4 SPF STUD GRADE	ELA/ ELK/ ELK	1031	
J120	JACK - (2) 2x4 SPF STUD GRADE	ELA/ ELK/ ELK	1031	
J121	JACK - (2) 2x4 SPF STUD GRADE	6CB/6CF	1035	
J122	JACK - (2) 2x4 SPF STUD GRADE	6CB/6CF	1035	
J131	JACK - (2) 2x4 SPF STUD GRADE		1053	
J132	JACK - (2) 2x4 SPF STUD GRADE		1055	
J133	JACK - (3) 2x4 SPF STUD GRADE		1055	
J135	JACK - (2) 2x4 SPF STUD GRADE		1063	
J144	JACK - (2) 2x4 SPF STUD GRADE		1018	
J145	JACK - (3) 2x4 SPF STUD GRADE		1021	
J147	JACK - (5) 2x4 SPH		1023	

DCY-YG-L540
COMMITTEE
VILGES OF WINDING CREEK WARR CO - L540
STREET ADDRESS
1800 WINDING RUN BLVD
CITY
CENTERVILLE
STATE
OH
ZIP
45456

NVR, Inc. expressly reserves the right to modify these plans without notice. These plans are not to be reproduced, changed or altered in any way without the written consent of NVR, Inc.



MODEL: COLUMBIA
DRAWING TITLE: FIRST FLOOR PLAN
SHEET NO.: A-7
OPTION DESCRIPTION: 27



SECOND FLOOR PLAN
SCALE: 1/4" = 1'-0"

LEGEND

- BEARING WALL
- NON BEARING WALL
- INDICATES BEARING FROM POINT-LOAD ABOVE
- JACKS
- BEAM/HEADER
- PAD FOOTING
- STEEL COLUMN
- PORTAL FRAME
- JOIST/TRUSS
- LVL
- ENGINEERING PAGE NUMBER

SEE FC DETAILS FOR FRAMING CONNECTORS

NOTE:
EXTERIOR WALLS DRAIN TO FRAMING WIDTH, EXTERIOR SHEATHING IS NOT INCLUDED IN WALL THICKNESS.

- FLOOR PLAN NOTES**
- ALL HEADERS ARE (2) 2x6 w/ 2x4 WALLS OR (3) 2x6 w/ 2x6 WALLS, UNLESS OTHERWISE NOTED.
 - ALL HEADERS TO HAVE (1) 2x4 OR 2x6 JACK AND KING STUD EACH END, UNLESS OTHERWISE NOTED.
 - ALL EXTERIOR WALLS TO BE 4" w/ OSB OR 3 1/2" w/ T-PLY, ALL INTERIOR WALLS TO BE 3 1/2", UNLESS OTHERWISE NOTED.
 - HATCHED AREAS INDICATE DROPPED CEILING. ALL DROPPED CEILING ARE 12" UNLESS OTHERWISE NOTED.
 - SEE "BRACED WALL PANEL DETAIL SHEET" FOR SPECIAL WALL FRAMING LOCATIONS AND HEADER SIZES, IF APPLICABLE.
 - SEE STANDARD DETAIL CATEGORY "IT" SHEET(S) FOR INTERIOR TRIM DETAILS.
 - SEE ARCHITECTURAL DETAIL SHEET "AD" FOR HOUSE SPECIFIC INTERIOR TRIM OPTION TABLE.
 - ALL WINDOWS HAVE 7'-0 1/2" HEADER HEIGHT UNLESS OTHERWISE NOTED.
 - ALL HEADERS IN NON-BEARING WALLS SHALL BE A SINGLE FLAT 2x4 OR 2x6 ATTACHED TO CRIPPLES ABOVE, UNLESS OTHERWISE NOTED.
 - TANKED WATER HEATER SHOWN AS BASE CONDITION. OPTIONAL TANKLESS WATER HEATER IS AVAILABLE IN LIEU OF TANKED WATER HEATER.

GYPSUM NOTES

AT GARAGE:
GYPSUM BOARD AT COMMON WALLS, CEILING, BEAM WRAPS AND SUPPORTS PER STANDARD DETAIL FA-(b) FIRE ASSEMBLIES OR AS REQUIRED BY LOCAL CODE.

AT STAIRS:
1/2" GYPSUM BOARD AT UNDERSIDE OF STAIRS AND WALLS IN CLOSET

SECOND FLOOR JACK SCHEDULE

IDENTIFIER	DESCRIPTION	OPTIONS	ENG. NUM.	REMARKS
J201	JACK - (2) 2x4 SPF STUD GRADE		2006	
J202	JACK - (2) 2x4 SPF STUD GRADE		2006	

DCY-YG-L540

BIV-COMM-LOT-UNIT
COMM-LOT
VILLES OF MINDING CREEK MARR CO - L540
STREET ADDRESS
1800 MINDING RUN BLVD
CITY
CENTERVILLE
STATE
OH
ZIP
45459

© NVR, Inc. expressly reserves the right to modify the information contained in these plans. These plans are not to be reproduced, changed or altered in any way without the prior written consent of NVR, Inc.

NVR
NVR, Inc. Suite 100
5285 Westchester Blvd
Frederick, MD 21703

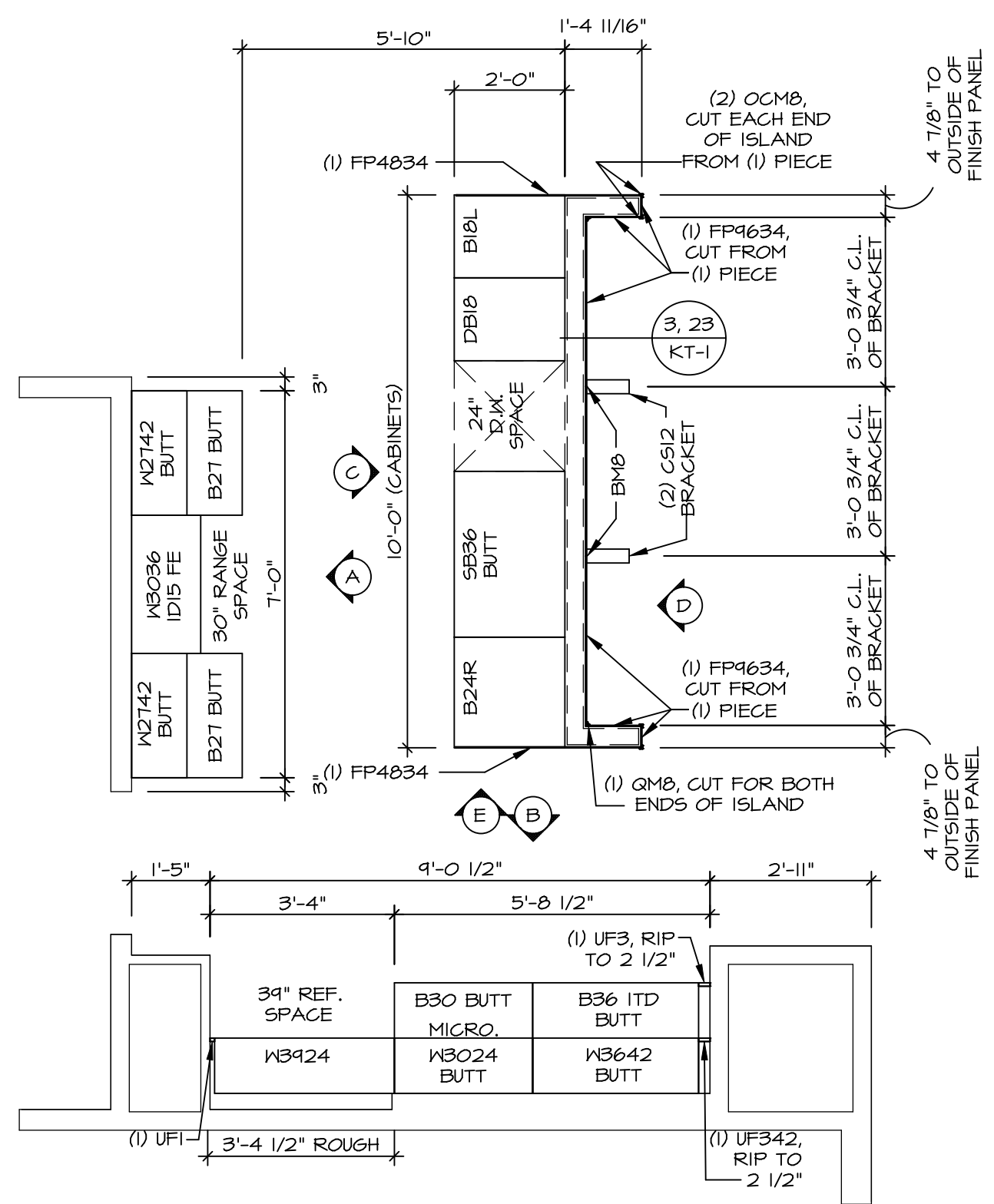
SET NO. CLM00
VERSION 01
DRAWN BY ARY
DATE:
OPTION

COLUMBIA
DRAWING TITLE
SECOND FLOOR PLAN
OPTION DESCRIPTION

A-8
31

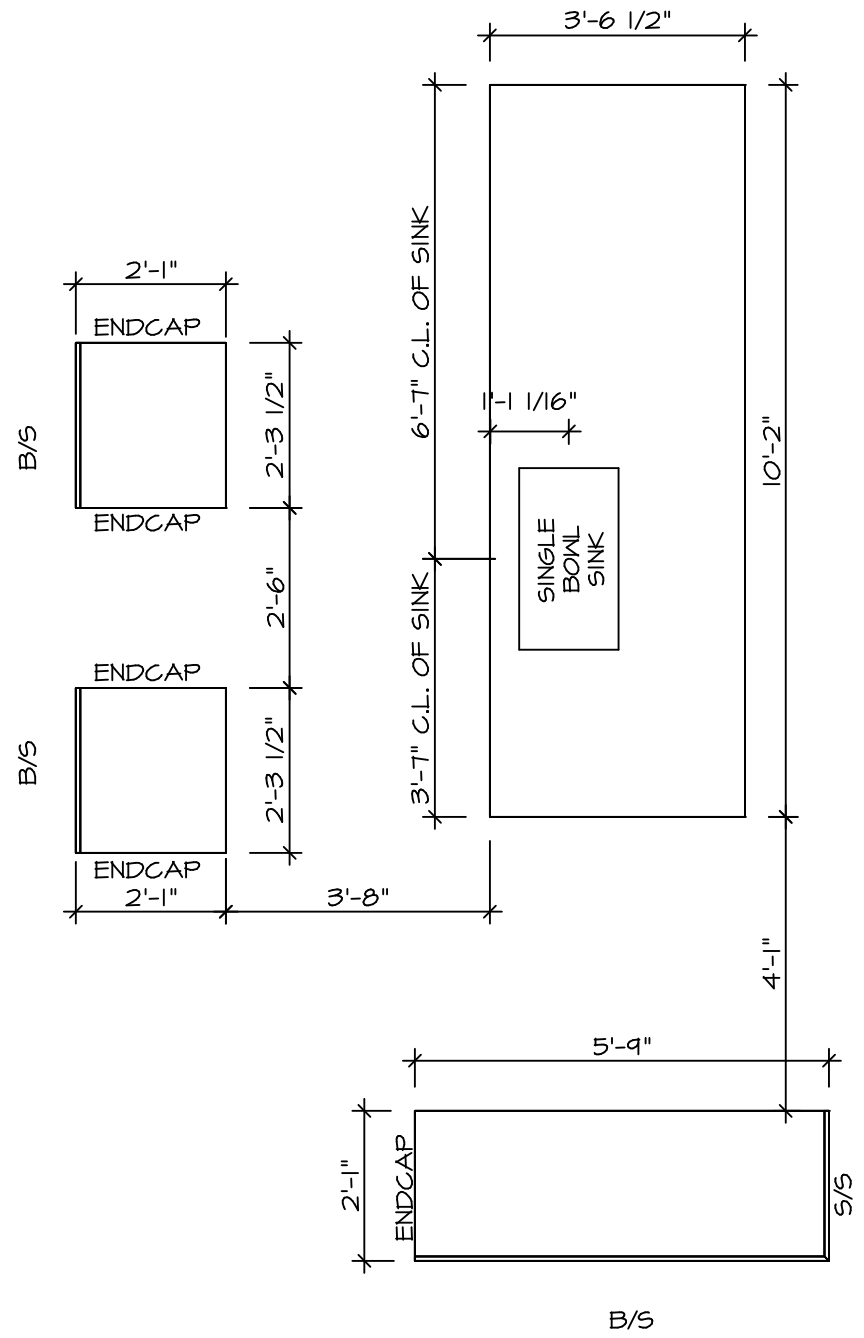
C:\NVR\Solves\COLUMBIA_CLM00_01\DCY-YG-L540\1780265\Sheets\Lot_Specific\31_A-8_FLN2_LS.dwg 04/09/20 - 3:05 am

- NOTES:**
- CABINET LAYOUT (S) ARE BASED ON FINISHED DIMENSIONS TO DRYWALL.
 - IF KITCHEN PLANS/ELEVATIONS CALL-OUT STANDARD MOLDING, REFER TO STANDARD DETAIL (1)KT-1) FOR REPLACEMENT BASED ON CABINET STYLE.
 - ALL (UF#) FILLERS ARE TO BE "TRIM TO FIT" UNLESS OTHERWISE NOTED.
 - CABINET MUST BE SET, SHIMMED, LEVELED AND PLUMB W/ ADJOINING BASE CABINETS.
 - SET PRE-FINISHED SCRIBE MOLDING AT CABINET BULKHEADS AND AT ENDS (WHERE CABINETS MEET DRYWALL). PRE-FINISHED SCRIBE MOLDING SHALL BE USED TO PAD OUT CABINET SIDES AT STILE FOR RETURN PIECES OF THE FACE-MOUNTED CABINET CROWN MOLDING.
 - HARDWARE INSTALL NOTE: KNOBS GO ON DOORS AND DRAWERS FOR ALL AREAS. ALL DRAWER FRONTS AND DOORS GET (1) KNOB/FULL. NO HARDWARE ON FALSE DRAWER FRONTS.



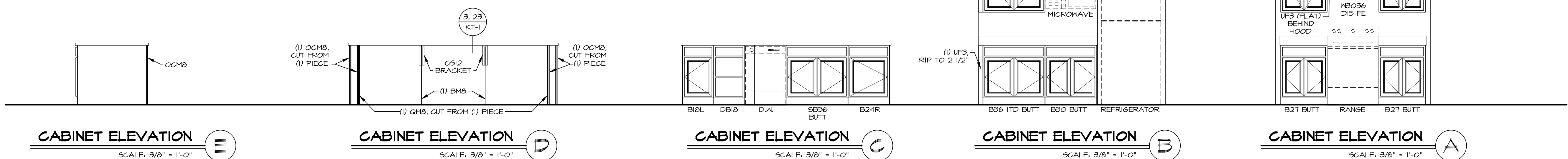
KITCHEN CABINET LAYOUT KC-3521

APPLIANCE LAYOUT W RANGE *KAA* SCALE: 3/8" = 1'-0" A-12



KITCHEN COUNTERTOP LAYOUT KC-3521

APPLIANCE LAYOUT W RANGE *KAA* SCALE: 3/8" = 1'-0" A-12



CABINET ELEVATION E

CABINET ELEVATION D

CABINET ELEVATION C

CABINET ELEVATION B

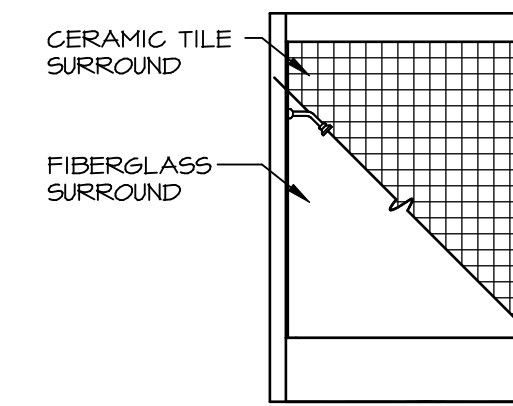
CABINET ELEVATION A

SHEET NO. A-12	MODEL COLUMBIA	DRAWING TITLE KITCHEN PLAN AND ELEVATION	SET NO. CLM00	VERSION 01
			DRAWN BY ARY	DATE:
			OPTION	OPTION
NVR, Inc. 5285 Westminister, Suite 100 Frederick, MD 21703		<p>© NVR, Inc. expressly reserves the right to modify or change the information in these plans. These plans are not to be reproduced, changed or altered in any way without the written consent of NVR, Inc.</p>		
<p>DCY-VG-L540</p>		<p>BIV-COMM-LOT-UNIT</p>		
<p>COMM-LOT</p>		<p>YLGS OF WINDING CREEK WARR CO - L540</p>		
<p>STREET ADDRESS</p>		<p>1800 WINDING RUN BLVD</p>		
<p>CITY</p>		<p>CENTERVILLE</p>		
<p>STATE</p>		<p>OH</p>		
<p>ZIP</p>		<p>45459</p>		

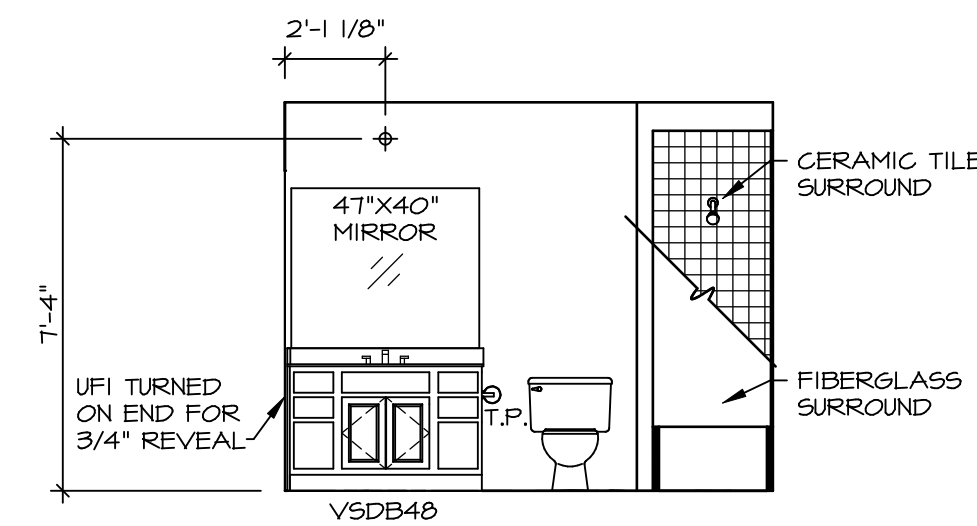
C:\NVR\Stores\COLUMBIA_CLM00_01\DCY-VG-L540\1760265\Sheets\Lot_Spec\14x_A-12_KIT_LS.dwg 04/09/20 - 3:06 am

NOTES:

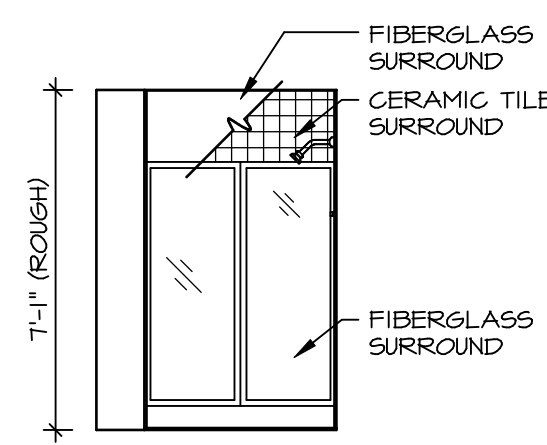
1. TEMPERED GLASS SHOWER ENCLOSURE WITH SLIDING DOOR OR OPTIONAL SLIDING DOOR BY DIVISION
2. TUB ACCESS PANELS PROVIDED AS NEEDED, ALL MATERIALS BY DIVISION
3. REFER TO SHEET D-XX FOR TUB AND SHOWER DETAILS.
4. ALL V5DB24-42 DRAWERS TO BE SET ON RIGHT HAND.
5. ALL BATH ELEVATIONS ARE SHOWN PER PLAN.



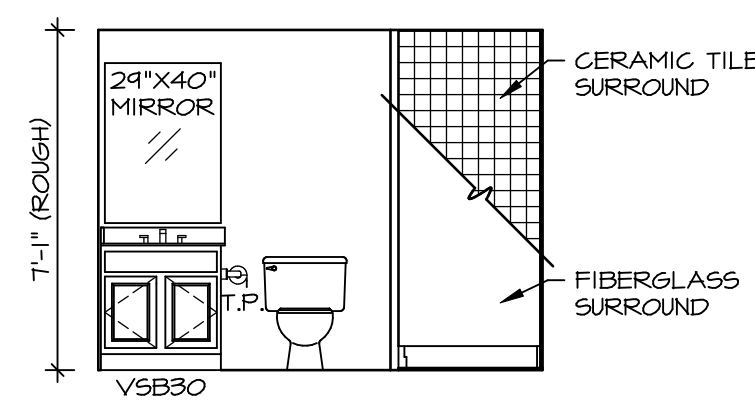
G BATH #1
SCALE: 1/4" = 1'-0"



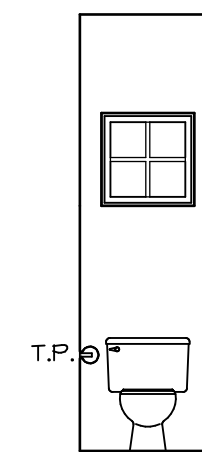
F BATH #1
SCALE: 1/4" = 1'-0"
SINGLE BOWL VANITY "VVC"



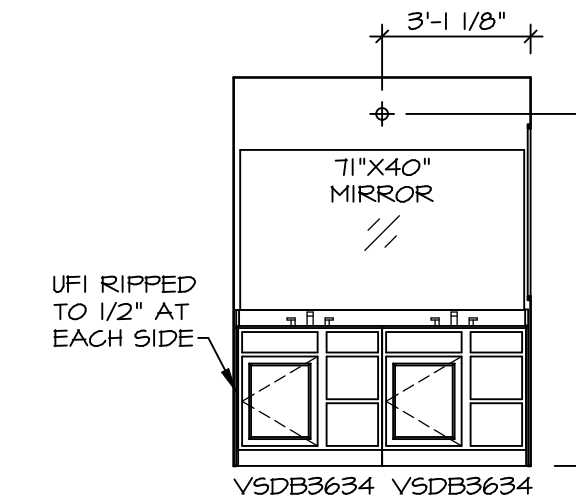
B BASEMENT BATH
SCALE: 1/4" = 1'-0" BASEMENT BATH "AEB"



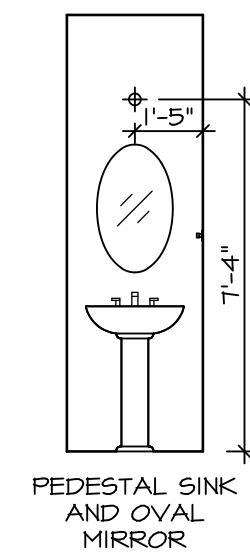
A BASEMENT BATH
SCALE: 1/4" = 1'-0" BASEMENT BATH "AEB"



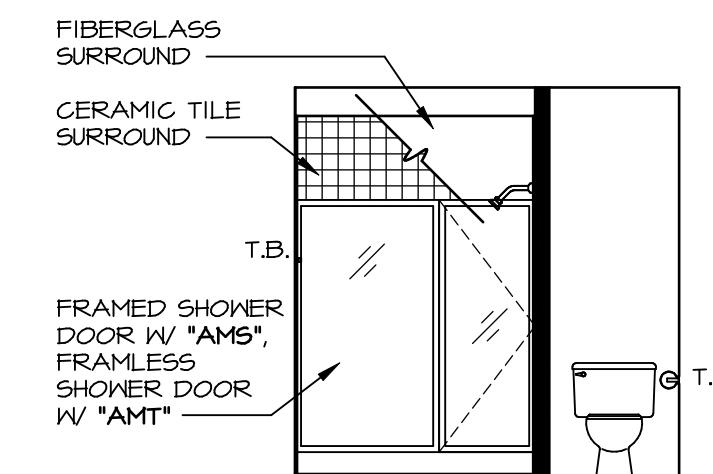
D POWDER ROOM
SCALE: 1/4" = 1'-0"



J OWNER'S BATH
SCALE: 1/4" = 1'-0" OWNER'S BATHROOM SHOWER "AMA"



C POWDER ROOM
SCALE: 1/4" = 1'-0"



H OWNER'S BATH
SCALE: 1/4" = 1'-0" OWNER'S BATHROOM SHOWER "AMA"

DIV-COMM-LOT-UNIT
DCY-YG-L540

COMM-LOT
VILGS OF MINDING CREEK WARR CO - L540

STREET ADDRESS
1800 MINDING RUN BLVD

CITY
CENTERVILLE

STATE
OH

ZIP
45459

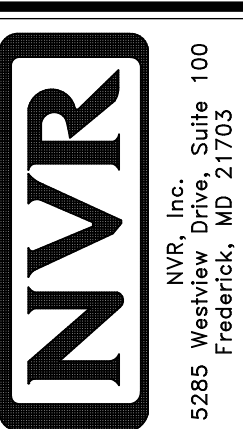
APT. NO.

APR. NO.

APR. NO.

APR. NO.

© NVR, Inc. expressly reserves the right to modify or change these plans at any time without notice. These plans are not to be reproduced, changed or altered in any way without the written consent of NVR, Inc.



NVR, Inc. Suite 100
5285 Washington Blvd.
Frederick, MD 21703

SET NO. CLM00
VERSION 01

DRAWN BY ARY

DATE:

OPTION

MODEL
COLUMBIA

DRAWING TITLE
BATH ELEVATIONS

OPTION DESCRIPTION

SHEET NO.
A-13

46