

**PLUMBING PLAN**  
SCALE: 1/4" = 1'-0"

**NOTE**  
RADON REMEDIATION  
RADON LOOP:  
- (4") PERFORATED HDPE "LOOP"  
- MUST BE PLACED IN STONE BED SLIGHTLY HIGHER THAN ANY INTERIOR DRAINTILE  
- LOOP TO BE SEPARATE FROM ANY DRAINTILE ELEMENTS  
- TO BE CORRUGATED HDPE PIPE  
- SCREENS TO BE INSTALLED THROUGH LOOP AT TEE UP INTO STACK  
STACK REQUIREMENTS:  
- 3" PVC STACK (4" IF BASEMENT IS GREATER THAN 2200 SQFT.)  
- NO PART OF STACK IS TO BE HORIZONTAL  
- PIPE TO BE PHYSICALLY LABELED IN THE FIELD AS "RADON VENT" OR OTHER  
- JURISDICTIONALLY REQUIRED LANGUAGE (ON EVERY LEVEL OF HOUSE)  
- ROOF TERMINATION TO BE IN TOP 1/3 OF ROOF  
- SCREEN INSTALLED TO KEEP PESTS OUT OF RADON VENT AT ROOF TERMINATION

SHEET NO. <b>A-5</b>	MODEL <b>ALLEGHENY</b>	SET NO. <b>ALGOO</b>	REV. NO.   DATE	REMARKS
VERSION <b>01</b>	DRAWN BY <b>TN</b>	RADON REMEDIATION <b>RADON LOOP</b>		
DATE <b>08/04/2017</b>	OPTION <b>OPTION</b>	© NVR, Inc. expressly reserves the right to modify or amend these plans without notice. These plans are not to be reproduced, changed or altered in any way without the written consent of NVR, Inc.		
<b>22</b>	<b>100</b>	<b>NVR</b> NVR, Inc. Suite 100 5285 Washburne Rd. Frederick, MD 21703		

LEGEND	
	BEARING WALL
	NON BEARING WALL
	INDICATES BEARING FROM POINT-LOAD ABOVE
	JACKS
	BEAM/HEADER
	PAD FOOTING
	STEEL COLUMN
	PORTAL FRAME
	JOIST/TRUSS
	LVL
	ENGINEERING PAGE NUMBER
SEE FC DETAILS FOR FRAMING CONNECTORS	

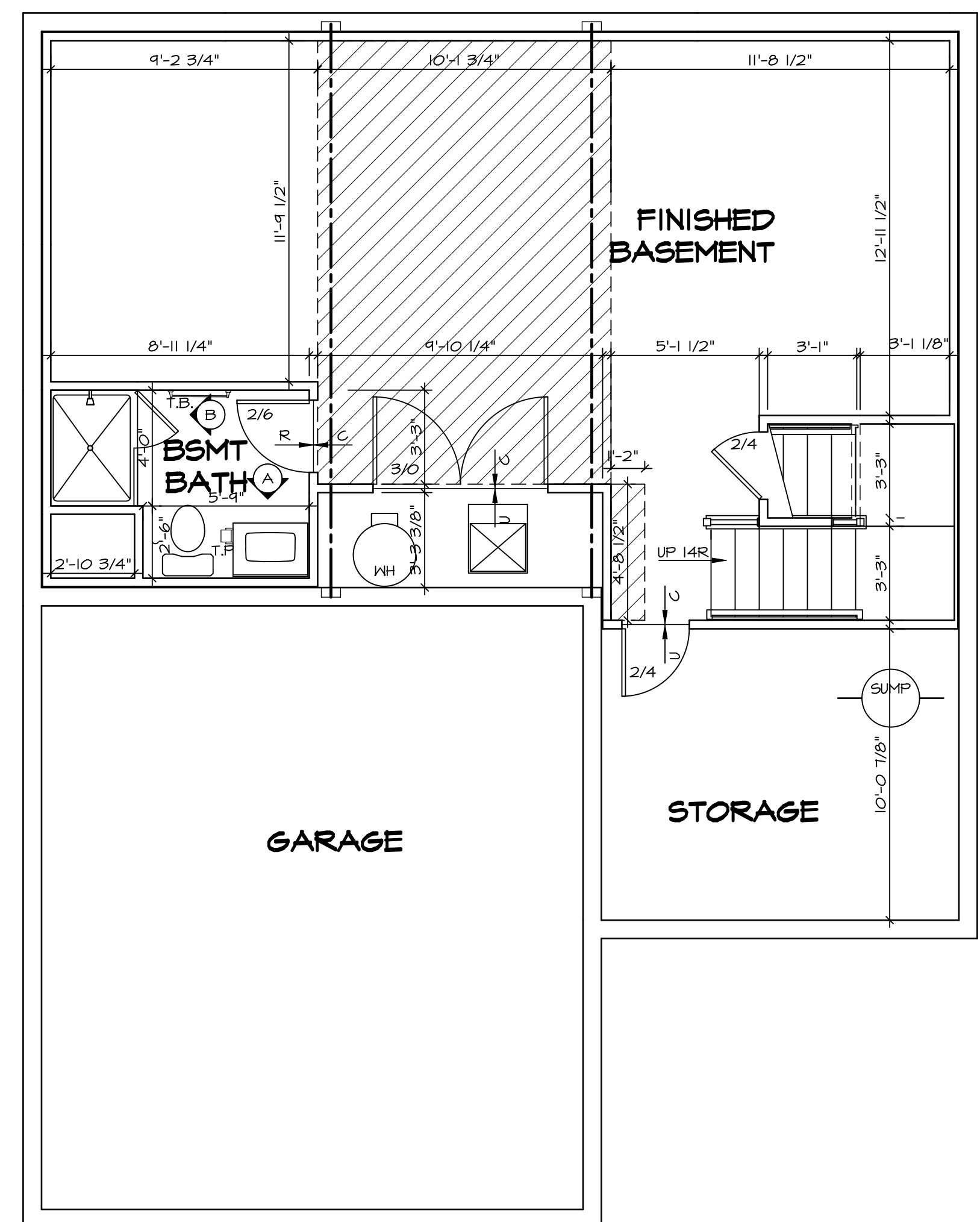
**FLOOR PLAN NOTES**

- ALL HEADERS ARE (2) 2x6 w/ 2x4 WALLS OR (3) 2x6 w/ 2x6 WALLS, UNLESS OTHERWISE NOTED.
- ALL HEADERS TO HAVE (1) 2x4 OR 2x6 JACK AND KING STUD EACH END, UNLESS OTHERWISE NOTED.
- ALL EXTERIOR WALLS TO BE 4" w/ OSB OR 3 1/2" w/ T-PLY, ALL INTERIOR WALLS TO BE 3 1/2", UNLESS OTHERWISE NOTED.
- HATCHED AREAS INDICATE DROPPED CEILINGS. ALL DROPPED CEILINGS ARE 12" UNLESS OTHERWISE NOTED.
- SEE "BRACED WALL PANEL DETAIL SHEET" FOR SPECIAL WALL FRAMING LOCATIONS AND HEADER SIZES, IF APPLICABLE.
- SEE STANDARD DETAIL CATEGORY "IT" SHEET(S) FOR INTERIOR TRIM DETAILS.
- SEE ARCHITECTURAL DETAIL SHEET "AD" FOR HOUSE SPECIFIC INTERIOR TRIM OPTION TABLE.
- ALL WINDOWS HAVE T-O 1/2" HEADER HEIGHT UNLESS OTHERWISE NOTED.
- ALL HEADERS IN NON-BEARING WALLS SHALL BE A SINGLE FLAT 2X4 OR 2X6 ATTACHED TO CRIPPLES ABOVE, UNLESS OTHERWISE NOTED.
- TANKED WATER HEATER SHOWN AS BASE CONDITION, OPTIONAL TANKLESS WATER HEATER IS AVAILABLE IN LIEU OF TANKED WATER HEATER.

**GYPSUM NOTES**

**AT GARAGE:**  
 GYPSUM BOARD AT COMMON WALLS, CEILINGS, BEAM WRAPS AND SUPPORTS PER STANDARD DETAIL FA-1(b) FIRE ASSEMBLIES OR AS REQUIRED BY LOCAL CODE.

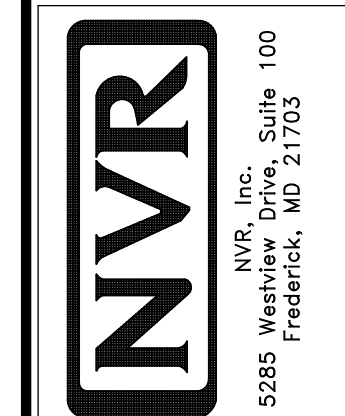
**AT STAIRS:**  
 1/2" GYPSUM BOARD AT UNDERSIDE OF STAIRS AND WALLS IN CLOSET



**BASEMENT FLOOR PLAN**  
 SCALE: 1/4" = 1'-0"

SHEET NO.	MODEL	SET NO.	VERSION	DATE	OPTION	REMARKS
A-6	ALLEGHENY	ALGOO	01	08/04/2017	100	
26	ALLEGHENY	ALGOO	01	08/04/2017	100	

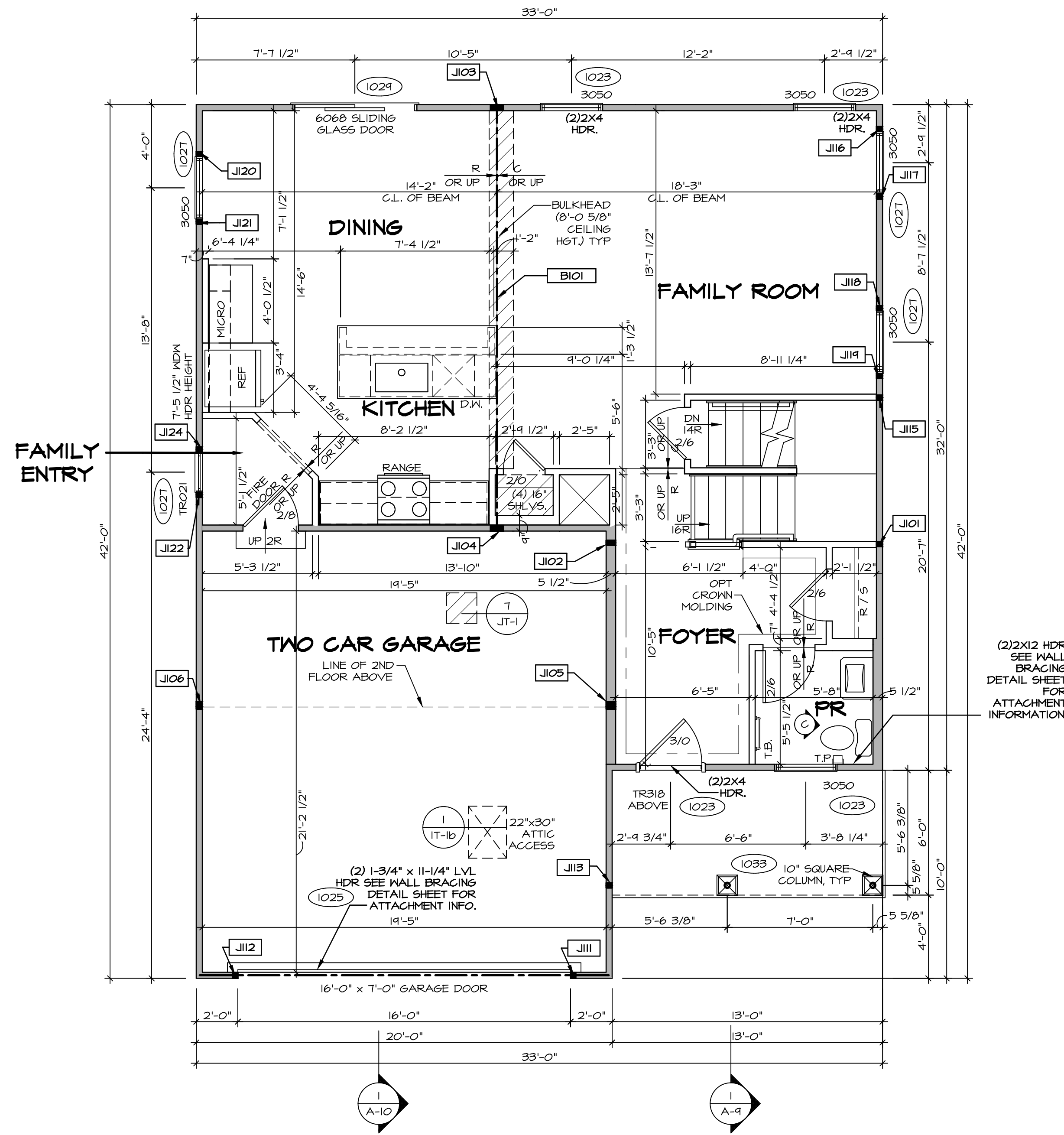
© NVR, Inc. expressly reserves the right to modify these plans without notice. These plans are not to be reproduced, changed or copied in any way without the written consent of NVR, Inc.



FIRST FLOOR JACK SCHEDULE				
IDENTIFIER	DESCRIPTION	ENG. NUM.	REMARKS	
J101	JACK - (2) 2X4 SFF STUD GRADE	1004		
J102	JACK - (2) 2X6 SFF STUD GRADE	1004		
J103	JACK - (3) 2X4 SFF#1	1008		
J104	JACK - (3) 2X4 SFF#1	1008		
J105	JACK - (3) 2X6 SFF#1	1010		
J106	JACK - (3) 2X4 SFF#1	1010		
J111	JACK - (2) 2X4 SFF STUD GRADE	1025		
J112	JACK - (2) 2X4 SFF STUD GRADE	1025		
J113	JACK - (2) 2X4 SFF STUD GRADE	1033		
J115	JACK - (2) 2X4 SFF STUD GRADE	1006		
J116	JACK - (2) 2X4 SFF STUD GRADE	1027		
J117	JACK - (2) 2X4 SFF STUD GRADE	1027		
J118	JACK - (2) 2X4 SFF STUD GRADE	1027		
J119	JACK - (2) 2X4 SFF STUD GRADE	1021		
J120	JACK - (2) 2X4 SFF STUD GRADE	1027		
J121	JACK - (2) 2X4 SFF STUD GRADE	1027		
J122	JACK - (2) 2X4 SFF STUD GRADE	1027		
J124	JACK - (2) 2X4 SFF STUD GRADE	1027		

FIELD INSTALLED FIRST FLOOR BEAM/HEADER SCHEDULE				
IDENTIFIER	DESCRIPTION	LENGTH	ENG. NUM.	REMARKS
B101	BEAM STEEL - W10X30	20'-6"	1008	

STEEL COLUMN SCHEDULE				
IDENTIFIER	STYLE	HEIGHT	ENG. NUM.	REMARKS



**FIRST FLOOR PLAN**  
SCALE: 1/4" = 1'-0"

LEGEND	
	BEARING WALL
	NON BEARING WALL
	INDICATES BEARING FROM POINT-LOAD ABOVE JACKS
	JACKS
	BEAM/HEADER
	PAD FOOTING
	STEEL COLUMN
	PORTAL FRAME
	JOIST/TRUSS
	LVL
	ENGINEERING PAGE NUMBER

SEE FC DETAILS FOR FRAMING CONNECTORS

- FLOOR PLAN NOTES** RYAN
- ALL HEADERS ARE (2) 2x6 w/ 2x4 WALLS OR (3) 2x6 w/ 2x6 WALLS, UNLESS OTHERWISE NOTED.
  - ALL HEADERS TO HAVE (1) 2x4 OR 2x6 JACK AND KING STUD EACH END, UNLESS OTHERWISE NOTED.
  - ALL EXTERIOR WALLS TO BE 4" w/ OSB OR 3 1/2" w/ LAMINATED FIBROUS STRUCTURAL SHEATHING, ALL INTERIOR WALLS TO BE 3 1/2", UNLESS OTHERWISE NOTED.
  - HATCHED AREAS INDICATE DROPPED CEILINGS. ALL DROPPED CEILINGS ARE 12" UNLESS OTHERWISE NOTED.
  - SEE "BRACED WALL PANEL DETAIL SHEET" FOR SPECIAL WALL FRAMING LOCATIONS AND HEADER SIZES, IF APPLICABLE.
  - SEE STANDARD DETAIL CATEGORY "1T" SHEET(S) FOR INTERIOR TRIM DETAILS.
  - SEE ARCHITECTURAL DETAIL SHEET "AD" FOR HOUSE SPECIFIC INTERIOR TRIM OPTION TABLE.
  - ALL WINDOWS HAVE T-O 1/2" HEADER HEIGHT UNLESS OTHERWISE NOTED.
  - ALL HEADERS IN NON-BEARING WALLS SHALL BE A SINGLE FLAT 2X4 OR 2X6 ATTACHED TO GRIPPLERS ABOVE, UNLESS OTHERWISE NOTED.
  - TANKED WATER HEATER SHOWN AS BASE CONDITION, OPTIONAL TANKLESS WATER HEATER IS AVAILABLE IN LIEU OF TANKED WATER HEATER.

- GYPSUM NOTES**
- AT GARAGE:  
GYPSUM BOARD AT COMMON WALLS, CEILING, BEAM WRAPS AND SUPPORTS PER STANDARD DETAIL FA-1(b) FIRE ASSEMBLIES OR AS REQUIRED BY LOCAL CODE.
- AT STAIRS:  
1/2" GYPSUM BOARD AT UNDERSIDE OF STAIRS AND WALLS IN CLOSET

REMARKS

REV. NO. DATE

© NVR, Inc. expressly reserves the copyright and all other rights in these plans. These plans are not to be reproduced, changed or copied in any way without the written consent of NVR, Inc.

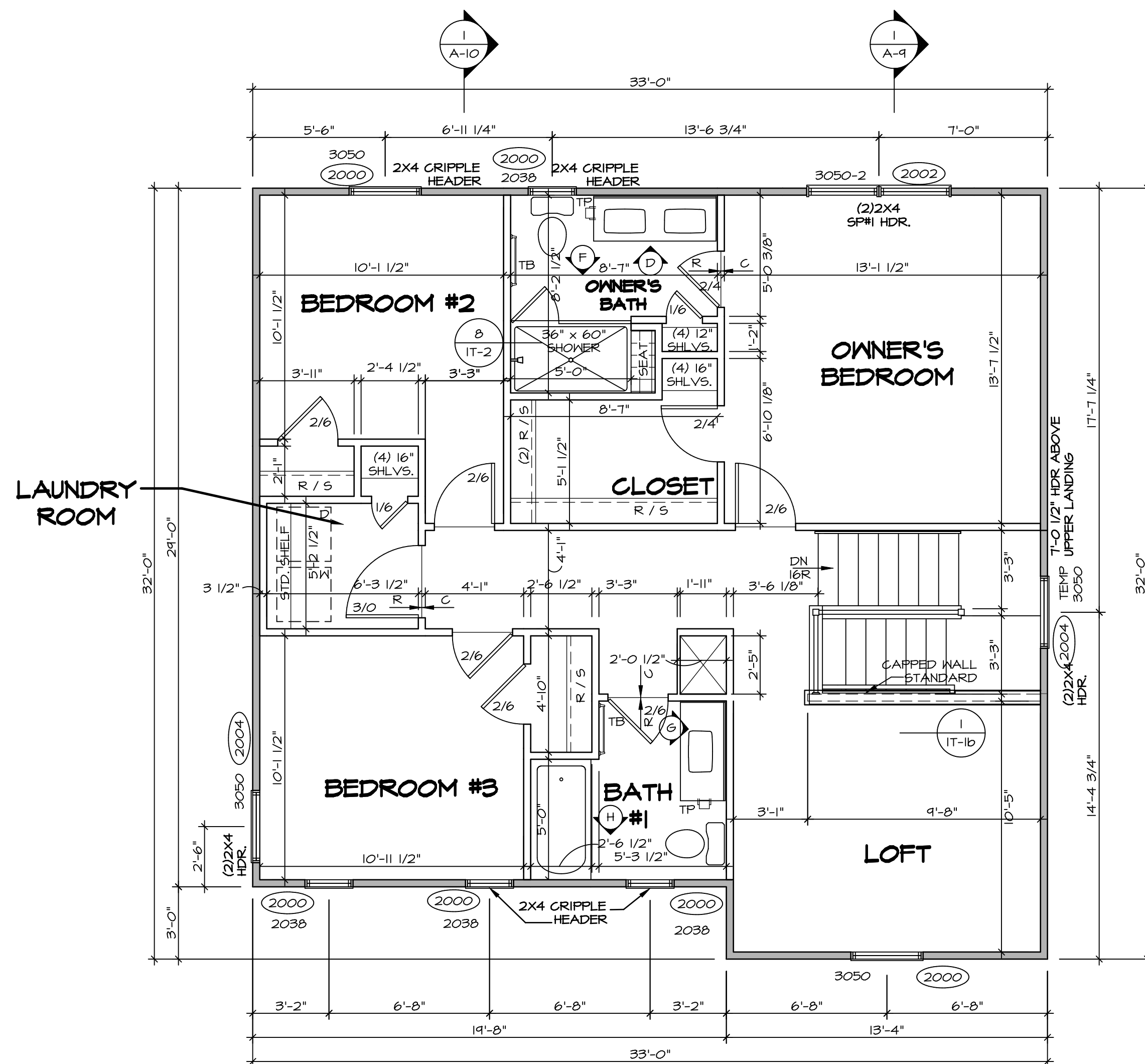
**NVR**  
NVR, Inc. Suite 100  
5285 Washington Blvd.  
Frederick, MD 21703

SET NO. ALGOO  
VERSION 01  
DRAWN BY YON  
DATE: 08/10/2017  
OPTION

MODEL ALLEGHENY  
DRAWING TITLE FIRST FLOOR PLAN  
OPTION DESCRIPTION

SHEET NO. A-7 28

C:\NVR\Solves\ALLEGHENY\_ALGOO\_01\DCV-VG-1547\176368A\Sheets\Lot Specific\A-7 PLINT\_LS.dwg 08/21/19 12:24 pm



**SECOND FLOOR PLAN**  
SCALE: 1/4" = 1'-0"

LEGEND	
	BEARING WALL
	NON BEARING WALL
	INDICATES BEARING FROM POINT-LOAD ABOVE
	JACKS
	BEAM/HEADER
	PAD FOOTING
	STEEL COLUMN
	PORTAL FRAME
	JOIST/TRUSS
	LVL
	ENGINEERING PAGE NUMBER

SEE FC DETAILS FOR FRAMING CONNECTORS

- FLOOR PLAN NOTES** RYAN
- ALL HEADERS ARE (2) 2x6 w/ 2x4 WALLS OR (3) 2x6 w/ 2x6 WALLS, UNLESS OTHERWISE NOTED.
  - ALL HEADERS TO HAVE (1) 2x4 OR 2x6 JACK AND KING STUD EACH END, UNLESS OTHERWISE NOTED.
  - ALL EXTERIOR WALLS TO BE 4" w/ OSB OR 3 1/2" w/ T-PLY, ALL INTERIOR WALLS TO BE 3 1/2", UNLESS OTHERWISE NOTED.
  - HATCHED AREAS INDICATE DROPPED CEILINGS. ALL DROPPED CEILINGS ARE 12" UNLESS OTHERWISE NOTED.
  - SEE "BRACED WALL PANEL DETAIL SHEET" FOR SPECIAL WALL FRAMING LOCATIONS AND HEADER SIZES, IF APPLICABLE.
  - SEE STANDARD DETAIL CATEGORY "1T" SHEET(S) FOR INTERIOR TRIM DETAILS.
  - SEE ARCHITECTURAL DETAIL SHEET "AD" FOR HOUSE SPECIFIC INTERIOR TRIM OPTION TABLE.
  - ALL WINDOWS HAVE 1'-0 1/2" HEADER HEIGHT UNLESS OTHERWISE NOTED.
  - ALL HEADERS IN NON-BEARING WALLS SHALL BE A SINGLE FLAT 2x4 OR 2x6 ATTACHED TO CRIPPLES ABOVE, UNLESS OTHERWISE NOTED.
  - TANKED WATER HEATER SHOWN AS BASE CONDITION, OPTIONAL TANKLESS WATER HEATER IS AVAILABLE IN LIEU OF TANKED WATER HEATER.

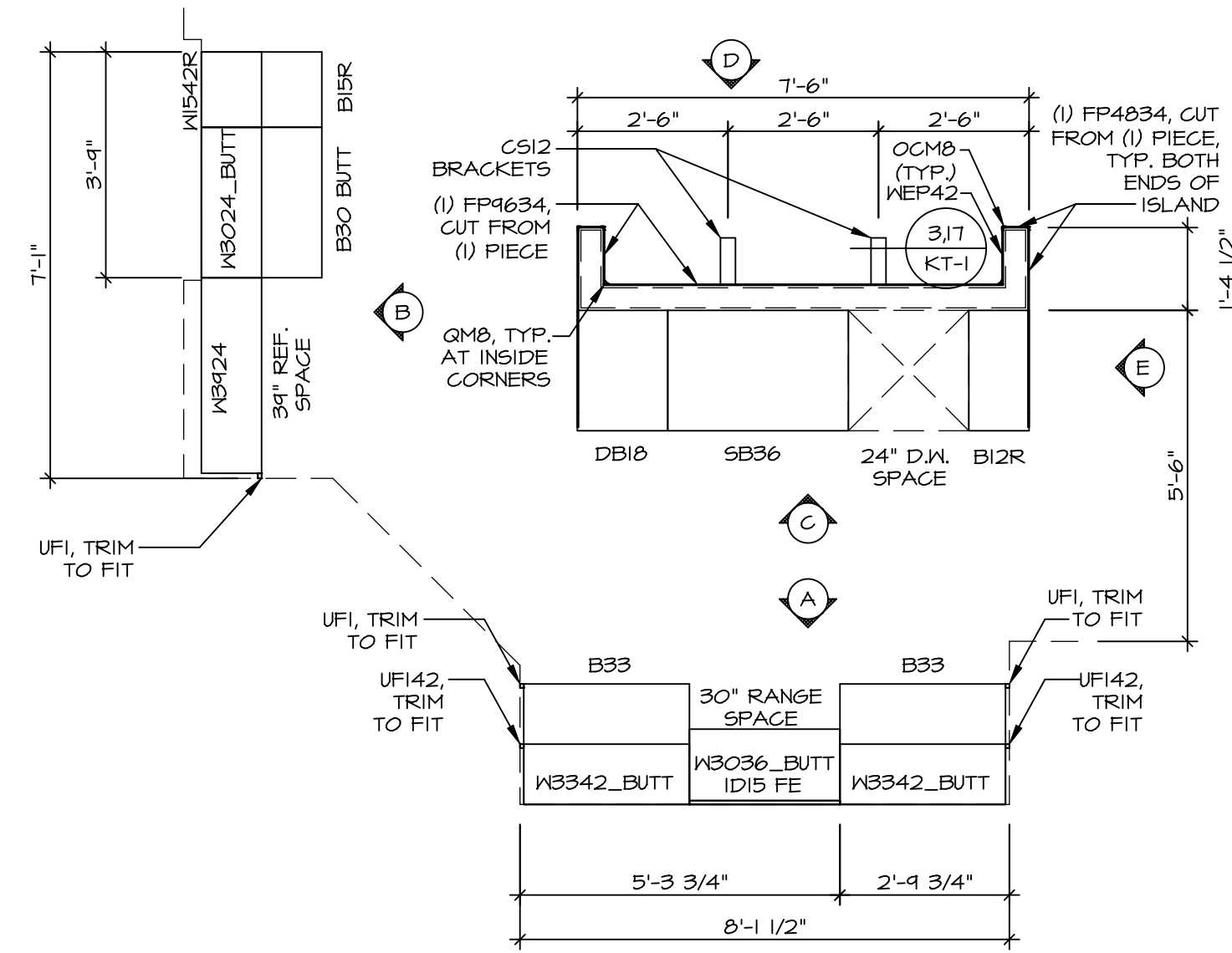
- GYPSUM NOTES**
- AT GARAGE:  
GYPSUM BOARD AT COMMON WALLS, CEILINGS, BEAM WRAPS AND SUPPORTS PER STANDARD DETAIL FA-1(b) FIRE ASSEMBLIES OR AS REQUIRED BY LOCAL CODE.
- AT STAIRS:  
1/2" GYPSUM BOARD AT UNDERSIDE OF STAIRS AND WALLS IN CLOSET

REV. NO.	DATE	REMARKS

© NVR, Inc. expressly reserves the right to modify or amend these plans at any time without notice. These plans are not to be reproduced, changed or altered in any way without the written consent of NVR, Inc.

**NVR**  
NVR, Inc. Suite 100  
5285 Washington Blvd  
Frederick, MD 21703

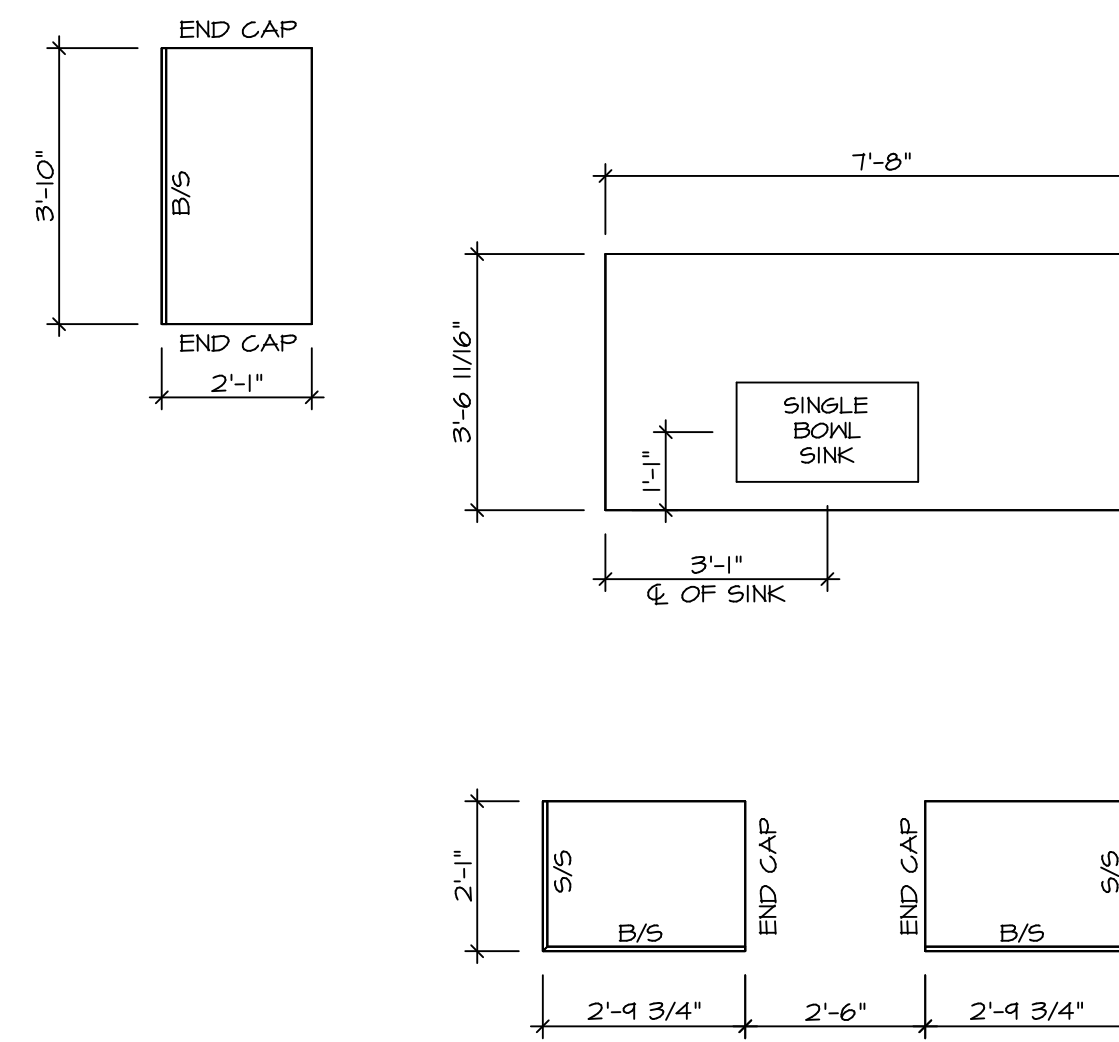
SHEET NO.	<b>A-8</b>
MODEL	<b>ALLEGHENY</b>
VERSION	01
DRAWN BY	YON
DATE	08/10/2017
OPTION	OPTION
DRAWING TITLE	<b>SECOND FLOOR PLAN</b>
OPTION DESCRIPTION	
SHEET NO.	<b>31</b>



**KITCHEN CABINET  
PLAN KC - 3489**

SCALE: 3/8" = 1'-0"

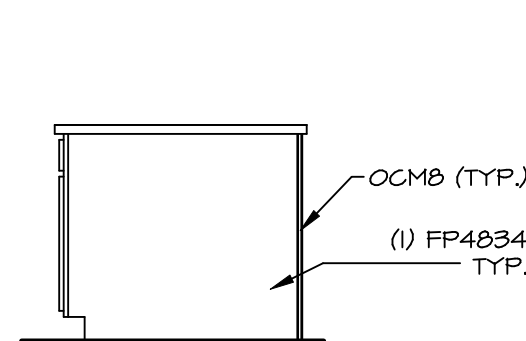
1  
A-12



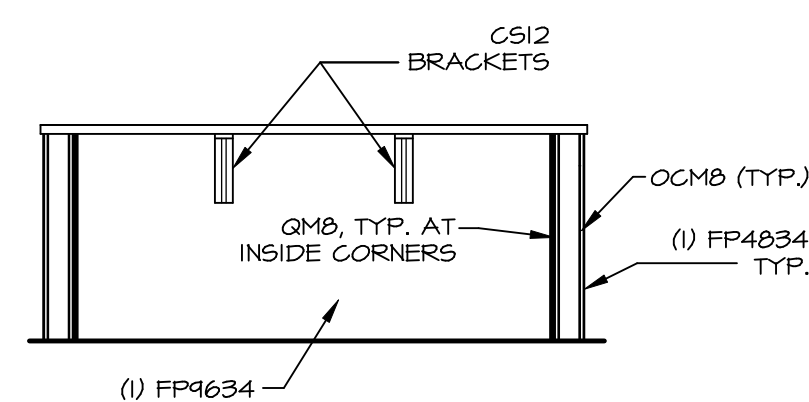
**KITCHEN COUNTERTOP  
PLAN KC - 3489**

SCALE: 3/8" = 1'-0"

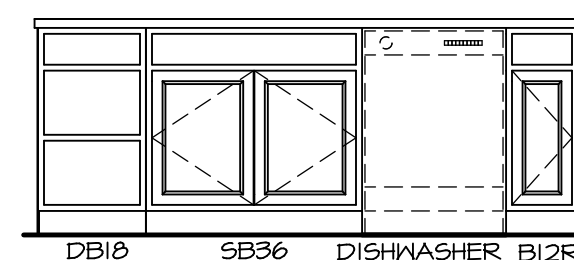
2  
A-12



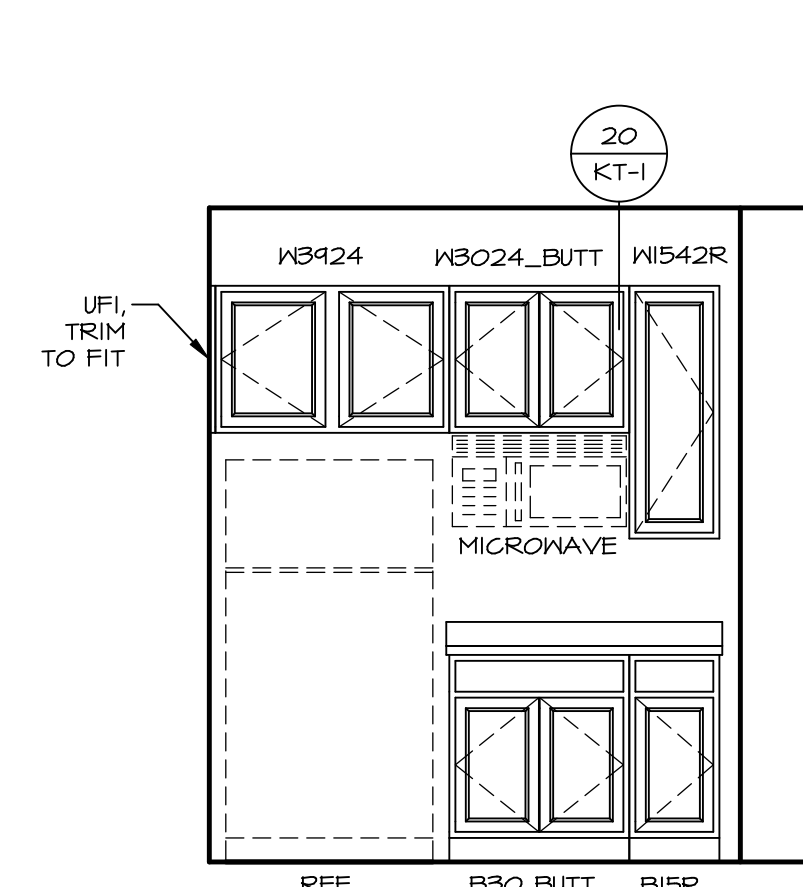
**ELEVATION "E"**  
SCALE: 3/8" = 1'-0"



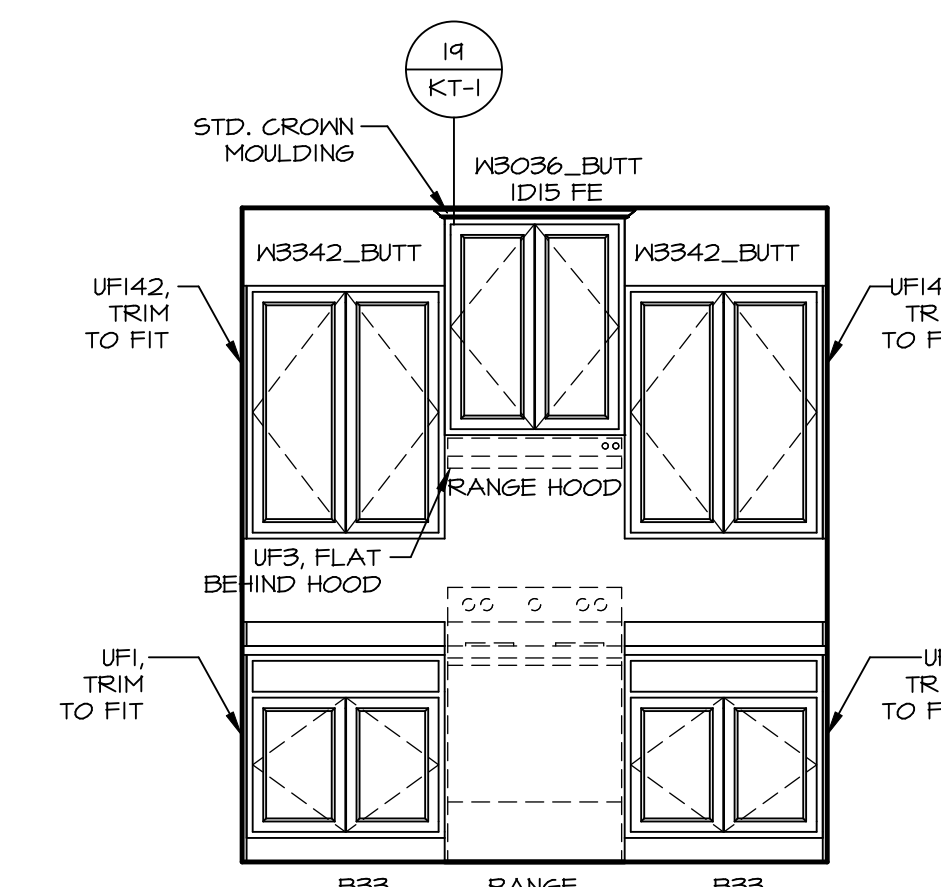
**ELEVATION "D"**  
SCALE: 3/8" = 1'-0"



**ELEVATION "C"**  
SCALE: 3/8" = 1'-0"



**ELEVATION "B"**  
SCALE: 3/8" = 1'-0"



**ELEVATION "A"**  
SCALE: 3/8" = 1'-0"

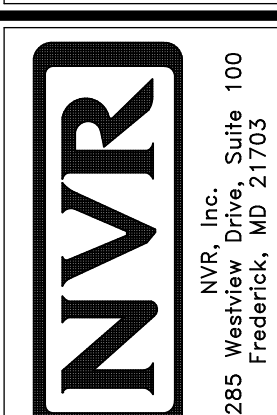
NOTE:  
CABINET LAYOUT(S) ARE  
BASED ON FINISHED  
DIMENSION TO DRYNALL.

NOTE:  
KITCHEN ELEVATIONS/PLANS CALL  
OUT STANDARD MOLDING. REFER TO  
DETAIL 11/KT-1 FOR REPLACEMENT  
BASED ON CABINET STYLE.

REMARKS

REV. NO. DATE

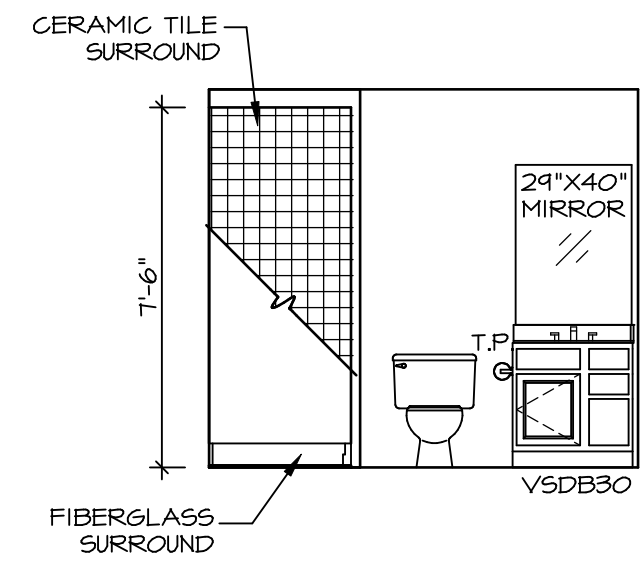
© NVR, Inc. expressly reserves the right to modify these plans without notice. These plans are not to be reproduced, changed or copied in any way without the written consent of NVR, Inc.



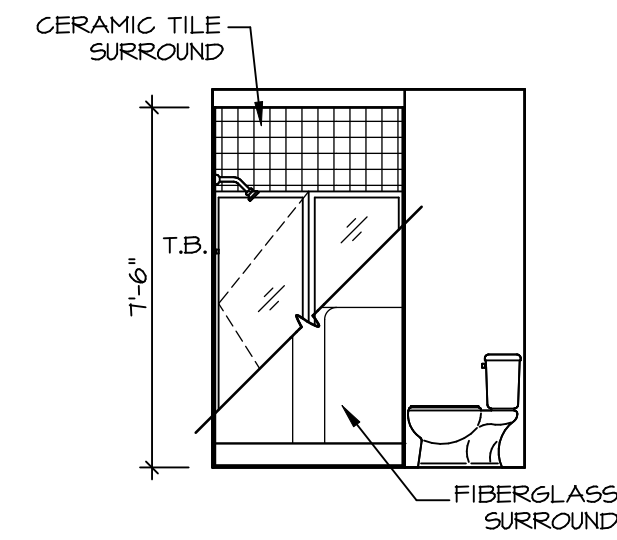
SET NO. ALGOO  
VERSION 01  
DRAWN BY KDH  
DATE: 8/3/17  
OPTION

MODEL ALLEGHENY  
DRAWING TITLE KITCHEN PLANS  
OPTION DESCRIPTION

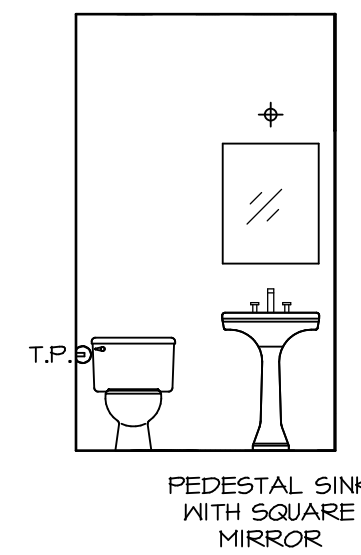
SHEET NO. A-12  
43



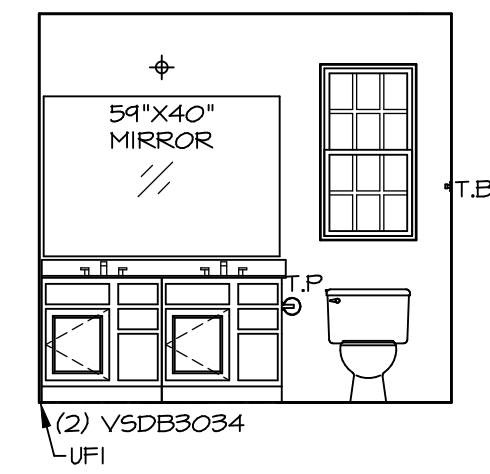
**A BASEMENT BATH**  
SCALE: 1/4" = 1'-0"



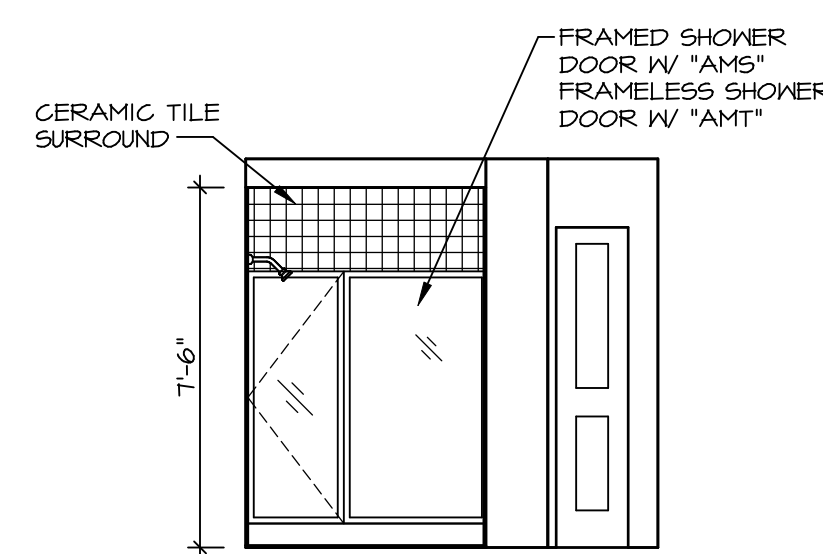
**B BASEMENT BATH**  
SCALE: 1/4" = 1'-0"



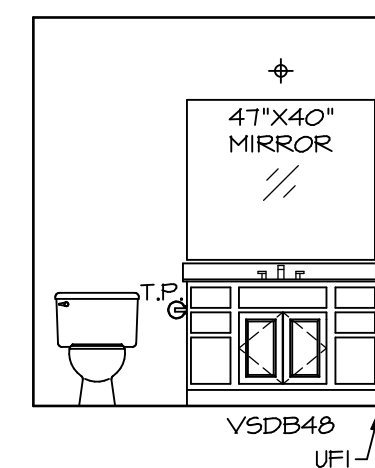
**C POWDER ROOM**  
SCALE: 1/4" = 1'-0"



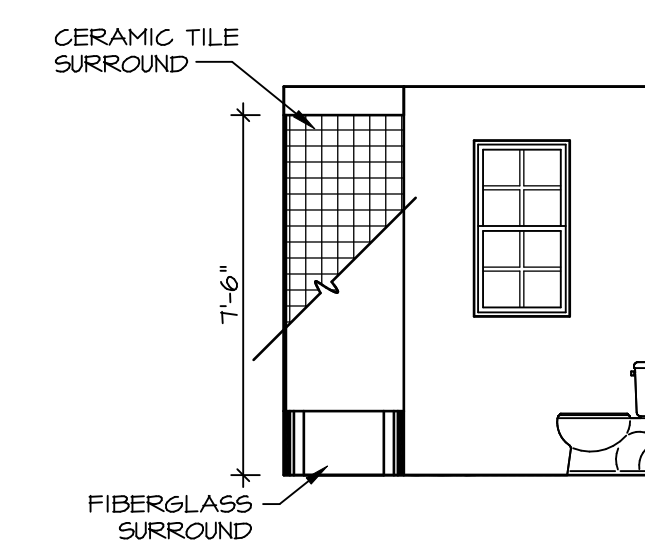
**D OWNER'S BATH**  
SCALE: 1/4" = 1'-0"



**F OWNER'S BATH**  
SCALE: 1/4" = 1'-0"



**G BATH #1**  
SCALE: 1/4" = 1'-0"



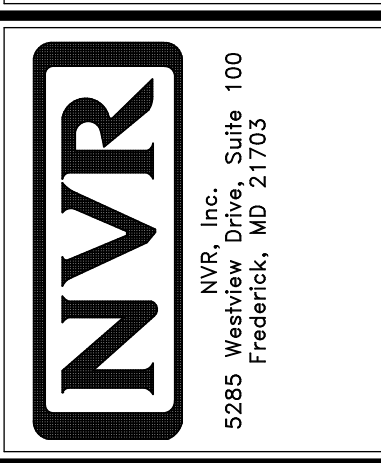
**H BATH #1**  
SCALE: 1/4" = 1'-0"

**NOTES:**

1. TEMPERED GLASS SHOWER ENCLOSURE WITH SWING DOOR OR OPTIONAL SLIDING DOOR BY DIVISION
2. TUB ACCESS PANELS PROVIDED AS NEEDED, ALL MATERIALS BY DIVISION
3. REFER TO SHEET IT-2 FOR TUB AND SHOWER DETAILS.
4. ALL V5DB24-42 DRAWERS TO BE SET ON RIGHT HAND.
5. ALL BATH ELEVATIONS ARE SHOWN PER PLAN.

SHEET NO. <b>A-13</b>	MODEL <b>ALLEGHENY</b>	SET NO. ALGOO	REVISIONS	REV. NO.	DATE	REMARKS
		VERSION 01	DRAWN BY YON			
		DATE: 4/8/17	OPTION			

C:\NVR\Solves\ALLEGHENY\_ALGOO\_01\DCY-VG-LS47\1716368\Sheets\44 A-13 BATH\_LS.dwg 06/21/19 - 12:24 pm



© NVR, Inc. expressly reserves the right to modify or change these plans at any time without notice. These plans are not to be reproduced, changed or altered in any way without the written consent of NVR, Inc.