

**FIRST FLOOR PLAN**  
SCALE: 1/4" = 1'-0"

LEGEND	
	BEARING WALL
	NON BEARING WALL
	INDICATES BEARING FROM POINT-LOAD ABOVE
	JACKS
	BEAM/HEADER
	PAD FOOTING
	STEEL COLUMN
	PORTAL FRAME
	JOIST/TRUSS
	LVL
	ENGINEERING PAGE NUMBER

SEE FC DETAILS FOR FRAMING CONNECTORS

- FLOOR PLAN NOTES**
- ALL HEADERS ARE (2) 2x6 W/ 2x4 WALLS OR (3) 2x6 W/ 2x6 WALLS, UNLESS OTHERWISE NOTED.
  - ALL HEADERS TO HAVE (1) 2x4 OR 2x6 JACK AND KING STUD EACH END, UNLESS OTHERWISE NOTED.
  - ALL EXTERIOR WALLS TO BE 4" W/ OSB OR 3 1/2" W/ LAMINATED FIBROUS STRUCTURAL SHEATHING, ALL INTERIOR WALLS TO BE 3 1/2", UNLESS OTHERWISE NOTED. HATCHED AREAS INDICATE DROPPED CEILINGS. ALL DROPPED CEILINGS ARE 12" UNLESS OTHERWISE NOTED.
  - SEE 'BRACED WALL PANEL DETAIL SHEET' FOR SPECIAL WALL FRAMING LOCATIONS AND HEADER SIZES, IF APPLICABLE.
  - SEE STANDARD DETAIL CATEGORY '11" SHEET(S) FOR INTERIOR TRIM DETAILS.
  - SEE ARCHITECTURAL DETAIL SHEET 'AD' FOR HOUSE SPECIFIC INTERIOR TRIM OPTION TABLE.
  - ALL WINDOWS HAVE 7'-0 1/2" HEADER HEIGHT UNLESS OTHERWISE NOTED.
  - ALL HEADERS IN NON-BEARING WALLS SHALL BE A SINGLE FLAT 2x4 OR 2x6 ATTACHED TO GRIPPLIES ABOVE, UNLESS OTHERWISE NOTED.
  - TANKED WATER HEATER SHOWN AS BASE CONDITION, OPTIONAL TANKLESS WATER HEATER IS AVAILABLE IN LIEU OF TANKED WATER HEATER.

- GYPSUM NOTES**
- AT GARAGE:  
GYPSUM BOARD AT COMMON WALLS, CEILING, BEAM WRAPS AND SUPPORTS PER STANDARD DETAIL FA-1(b) FIRE ASSEMBLIES OR AS REQUIRED BY LOCAL CODE.
- AT STAIRS:  
1/2" GYPSUM BOARD AT UNDERSIDE OF STAIRS AND WALLS IN CLOSET

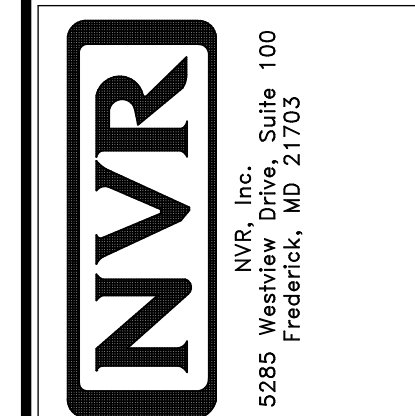
FIRST FLOOR JACK SCHEDULE			
IDENTIFIER	DESCRIPTION	OPTIONS	ENG. NUM.
J100	JACK - (5) 2X4 SFF#		2000
J105	JACK - (4) 2X6 SFF STUD GRADE	ELL	2000
J106	JACK - (3) 2X6 SFF STUD GRADE		1016
J107	JACK - (4) 2X4 SFF STUD GRADE	L6F	1016
J108	JACK - (2) 2X4 SFF STUD GRADE		1036
J109	JACK - (2) 2X4 SFF STUD GRADE		1032
J110	JACK - (4) 2X4 SFF STUD GRADE	L6F	1040
J111	JACK - (2) 2X4 SFF STUD GRADE	L6F	1040
J114	JACK - (2) 2X4 SFF STUD GRADE		1078
J115	JACK - (3) 2X6 SFF STUD GRADE		1078
J118	JACK - (2) 2X4 SFF STUD GRADE		1026
J119	JACK - (5) 2X6 SFF#	5XC	1044, 1044
J120	JACK - (5) 2X6 SFF STUD GRADE	6CB, 6CF	1044, 1044
J121	JACK - (2) 2X4 SFF STUD GRADE	6CB, 6CF	1055
J122	JACK - (2) 2X4 SFF STUD GRADE	6CB, 6CF	1055
J123	JACK - (2) 2X4 SFF STUD GRADE	6CF	1051
J124	JACK - (2) 2X4 SFF STUD GRADE	6CF	1051

- LVL PLY TO PLY FASTENING SCHEDULE:** (WHERE APPLICABLE BASED ON LVL USAGE)
- 1A - (2) PLY UP TO AND INCLUDING 11/8" TALL; FASTEN PLYS W/ (2) ROWS 16D NAILS AT 12" O.C. OR ALT 1 1/2" WIDE LVL FASTEN PLYS W/ (3) ROWS 12D NAILS AT 12" O.C.
  - 2A - (2) PLY 14" TO AND INCLUDING 18" TALL (INCLUSIVE); FASTEN PLYS W/ (3) ROWS 16D NAILS AT 12" O.C. OR ALT 1 1/2" WIDE LVL FASTEN PLYS W/ (4) ROWS 12D NAILS AT 12" O.C.
  - 3A - (2) PLY 20" TALL AND OVER; FASTEN PLYS W/ (4) ROWS 16D NAILS AT 12" O.C. OR ALT 1 1/2" WIDE LVL FASTEN PLYS W/ (5) ROWS 12D NAILS AT 12" O.C.
  - 4A - (3) PLY UP TO AND INCLUDING 11/8" TALL; FASTEN PLYS W/ (2) ROWS 16D NAILS AT 12" O.C. FROM EACH SIDE OR ALT 1 1/2" WIDE LVL FASTEN PLYS W/ (3) ROWS 12D NAILS AT 12" O.C. FROM EACH SIDE.
  - 5A - (3) PLY 14" TO AND INCLUDING 18" TALL (INCLUSIVE); FASTEN PLYS W/ (3) ROWS 16D NAILS AT 12" O.C. FROM EACH SIDE OR ALT 1 1/2" WIDE LVL FASTEN PLYS W/ (4) ROWS 12D NAILS AT 12" O.C. FROM EACH SIDE.
  - 6A - (5) PLY 20" TALL AND OVER; FASTEN PLYS W/ (4) ROWS 16D NAILS AT 12" O.C. FROM EACH SIDE OR ALT 1 1/2" WIDE LVL FASTEN PLYS W/ (5) ROWS 12D NAILS AT 12" O.C. FROM EACH SIDE.
  - 7A - (4) PLY (ALL SIZES); FASTEN PLYS W/ (2) ROWS 1/2" DIAMETER A307 BOLTS AT 24" O.C. SEE SHOP DRAWING FOR ADDITIONAL INFORMATION.

FIELD INSTALLED FIRST FLOOR BEAM/HEADER SCHEDULE					
IDENTIFIER	DESCRIPTION	LENGTH	OPTIONS	ENG. NUM.	REMARKS
B100	BEAM STEEL - W12X35	20'-2"	5XC	1044, 1044	
B105	INT HEADER - 2X8 - 2 PLY	6'-7"		1078	
PF101-2	LVL 1.75 - 11-04	19'-4"	6CB, 6CF	1055	2-PLY, 1A, PORTAL FRAME

REV. NO.	DATE	REMARKS

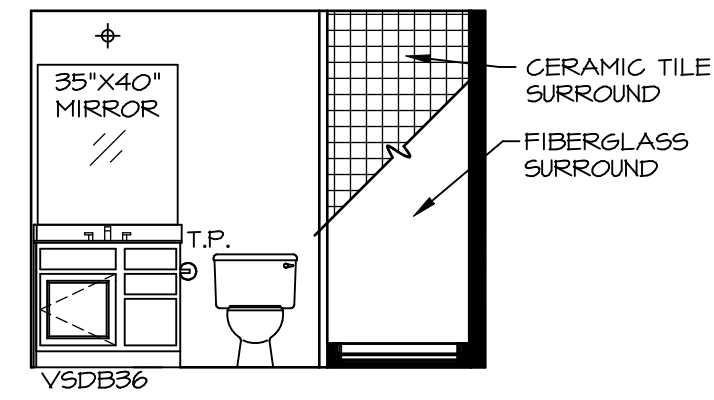
© NVR, Inc. expressly reserves the right to modify or change any information in these plans. These plans are not to be reproduced, changed or altered in any way without the written consent of NVR, Inc.



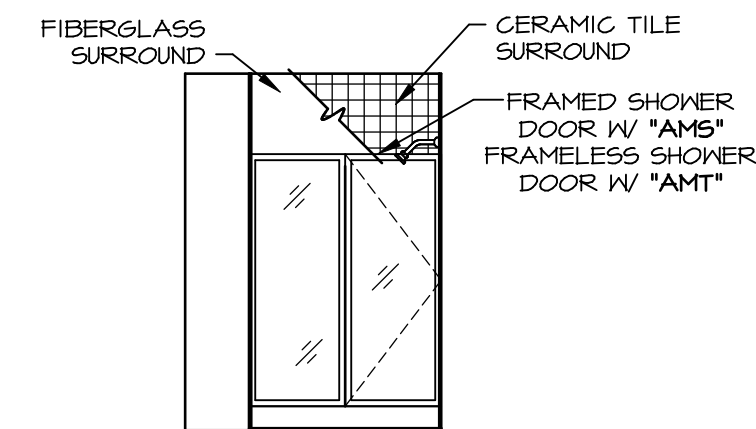
SHEET NO.	A-7	30
MODEL	LEHIGH	
DRAWING TITLE	FIRST FLOOR PLAN	
OPTION DESCRIPTION		
SET NO.	LGH00	
VERSION	01	
DRAWN BY		
DATE		
OPTION		



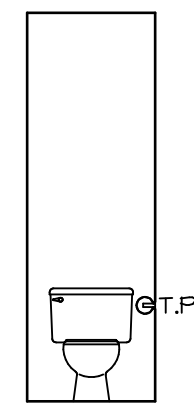




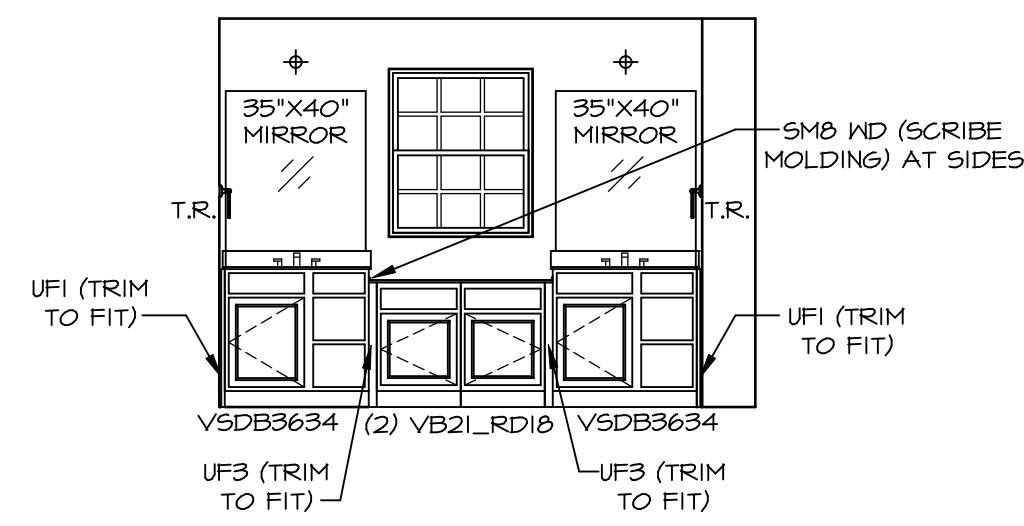
**A** BSMT BATH "AEB"  
SCALE: 1/4" = 1'-0"



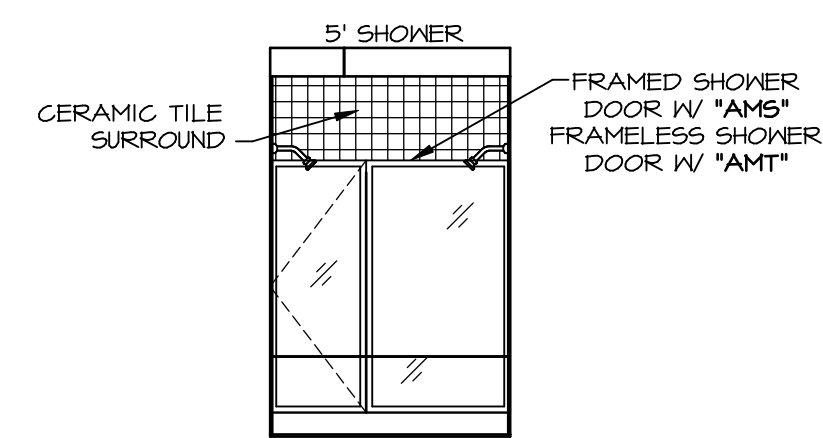
**B** BSMT BATH "AEB"  
SCALE: 1/4" = 1'-0"



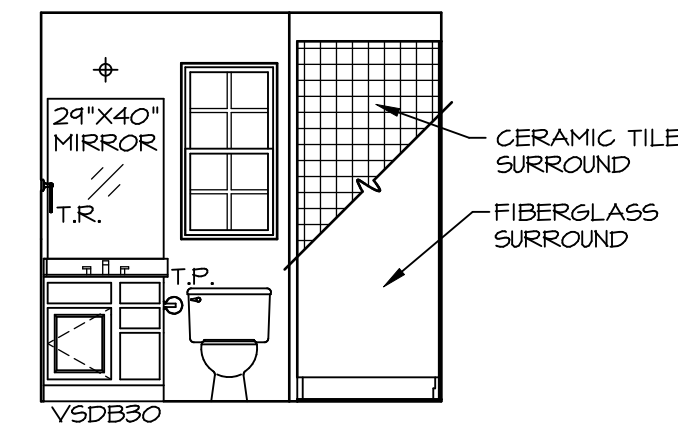
**H** OWNERS BATH  
SCALE: 1/4" = 1'-0"



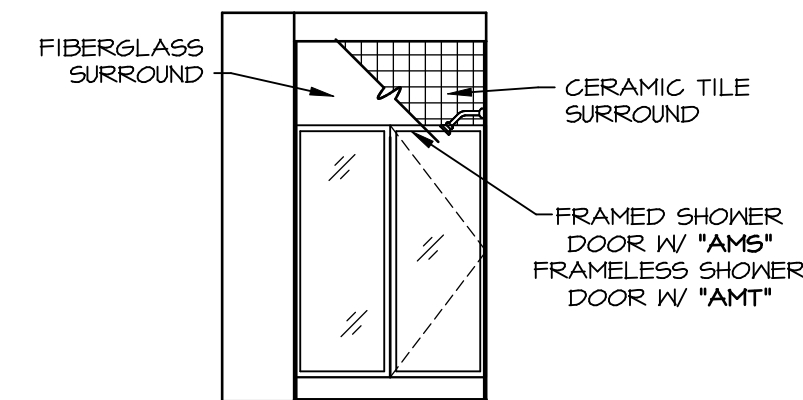
**L** OWNERS BATH  
SCALE: 1/4" = 1'-0" OWNER'S BATHROOM  
ROMAN SHOWER  
"AMG"



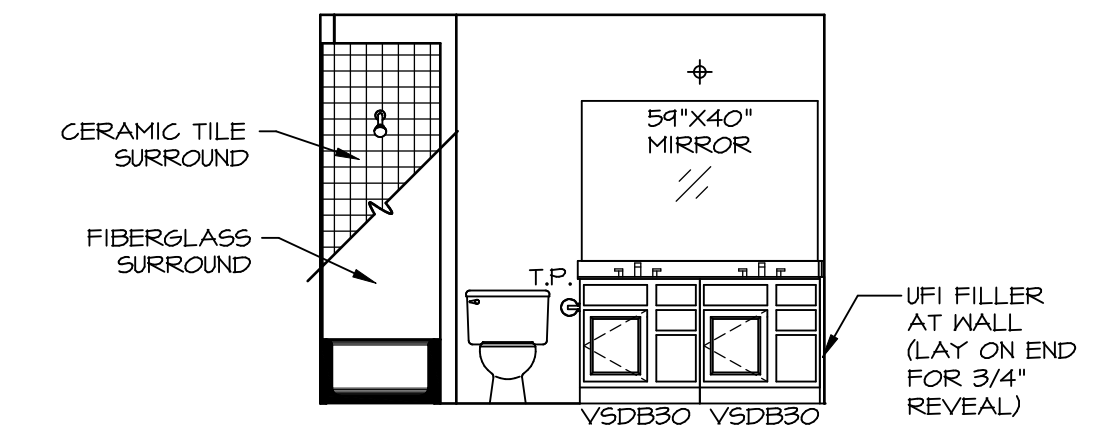
**M** OWNERS BATH  
SCALE: 1/4" = 1'-0" OWNER'S BATHROOM  
ROMAN SHOWER  
"AMG"



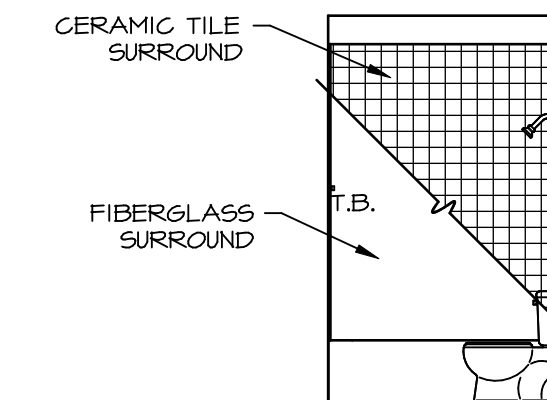
**D** FIRST FLOOR BATH  
SCALE: 1/4" = 1'-0"



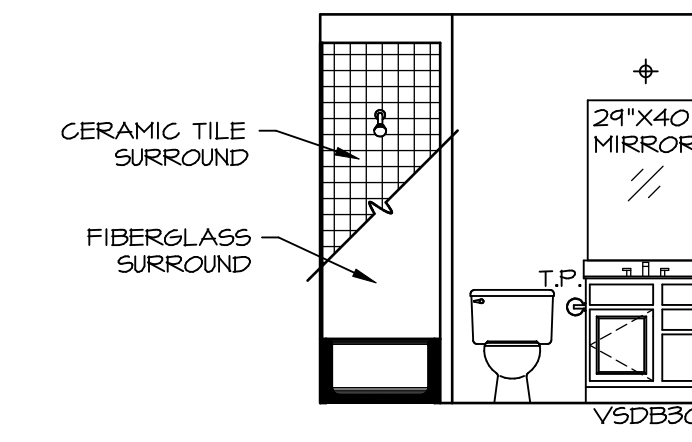
**E** FIRST FLOOR BATH  
SCALE: 1/4" = 1'-0"



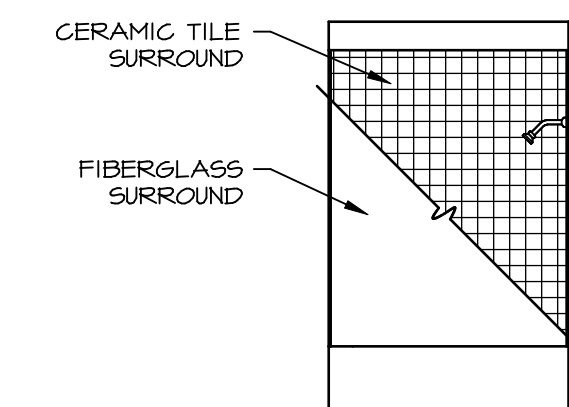
**F** BATH #1  
SCALE: 1/4" = 1'-0"



**G** BATH #1  
SCALE: 1/4" = 1'-0"



**Q** BATH #2  
SCALE: 1/4" = 1'-0"



**R** BATH #2  
SCALE: 1/4" = 1'-0"

**NOTES:**

- TEMPERED GLASS SHOWER ENCLOSURE WITH SWING DOOR OR OPTIONAL SLIDING DOOR BY DIVISION NEEDED, ALL MATERIALS BY DIVISION NEEDED.
- TUB ACCESS PANELS PROVIDED AS NEEDED, ALL MATERIALS BY DIVISION NEEDED.
- REFER TO SHEET IT-2 FOR TUB AND SHOWER DETAILS.
- ALL V5DB24-42 DRAWERS TO BE SET ON RIGHT HAND.
- ALL BATH ELEVATIONS ARE SHOWN PER PLAN.

REMARKS

REV. NO. DATE

© NVR, Inc. expressly reserves the right to modify these plans without notice. These plans are not to be reproduced, changed or altered in any way without the written consent of NVR, Inc.

**NVR**  
NVR, Inc. Suite 100  
5285 Walkers Lane  
Frederick, MD 21703

SET NO. LGH00  
VERSION 01  
DRAWN BY  
DATE:  
OPTION

SHEET NO. MODEL LEHIGH A-13 BATH ELEVATIONS OPTION DESCRIPTION 57