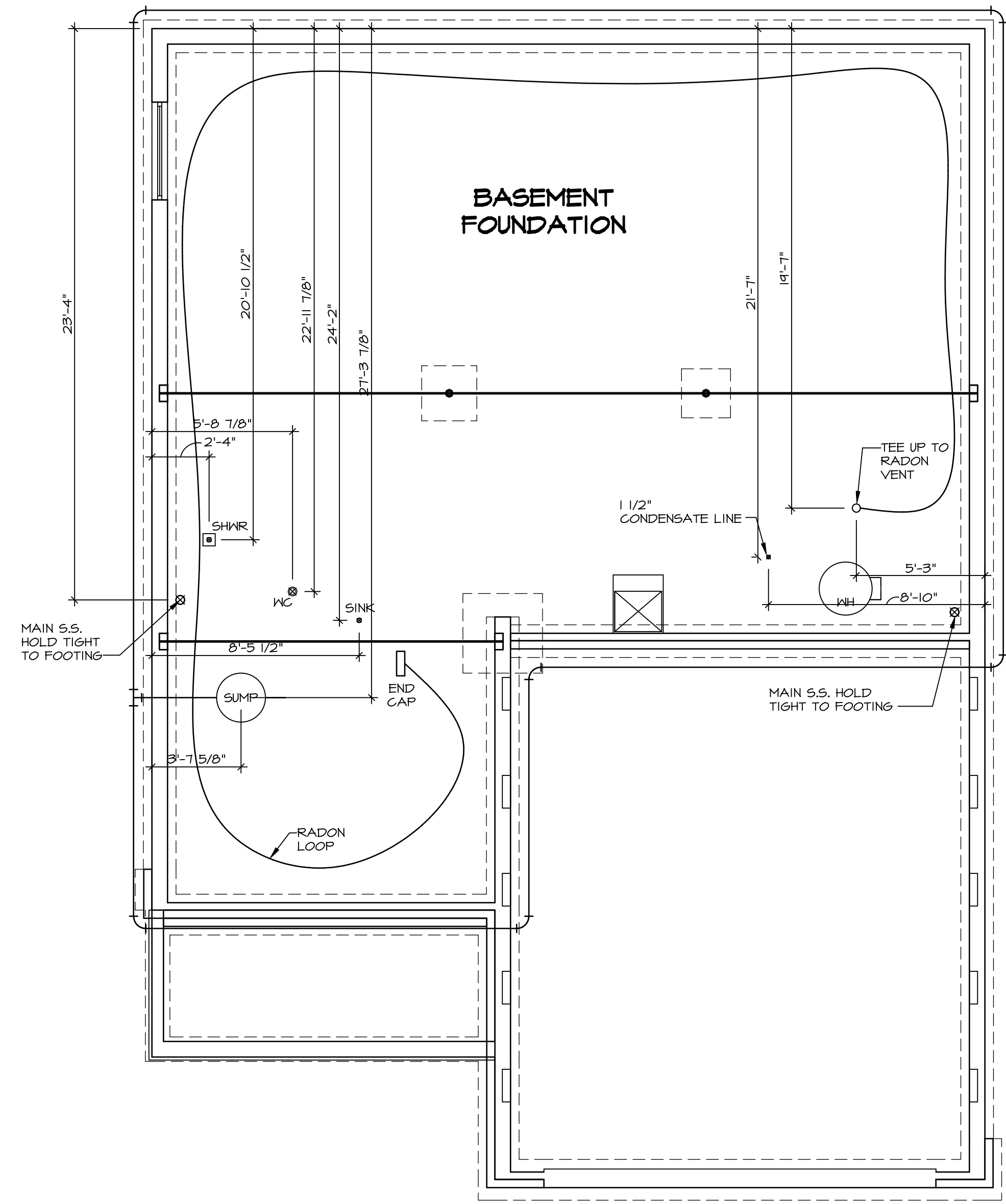


NOTE
 RADON REMEDIATION
 RADON LOOP:

- (4") PERFORATED HDPE "LOOP"
- MUST BE PLACED IN STONE BED SLIGHTLY HIGHER THAN ANY INTERIOR DRAINTILE
- LOOP TO BE SEPARATE FROM ANY DRAINTILE ELEMENTS
- TO BE CORRUGATED HDPE PIPE
- SCREENS TO BE INSTALLED THROUGH LOOP AT TEE UP INTO STACK

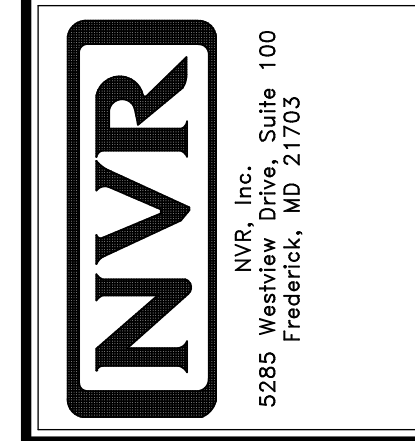
STACK REQUIREMENTS:

- 3" PVC STACK (4" IF BASEMENT IS GREATER THAN 2200 SQFT.)
- NO PART OF STACK IS TO BE HORIZONTAL
- PIPE TO BE PHYSICALLY LABELED IN THE FIELD AS "RADON VENT" OR OTHER
- JURISDICTIONALLY REQUIRED LANGUAGE (ON EVERY LEVEL OF HOUSE)
- ROOF TERMINATION TO BE IN TOP 1/3 OF ROOF
- SCREEN INSTALLED TO KEEP PESTS OUT OF RADON VENT AT ROOF TERMINATION



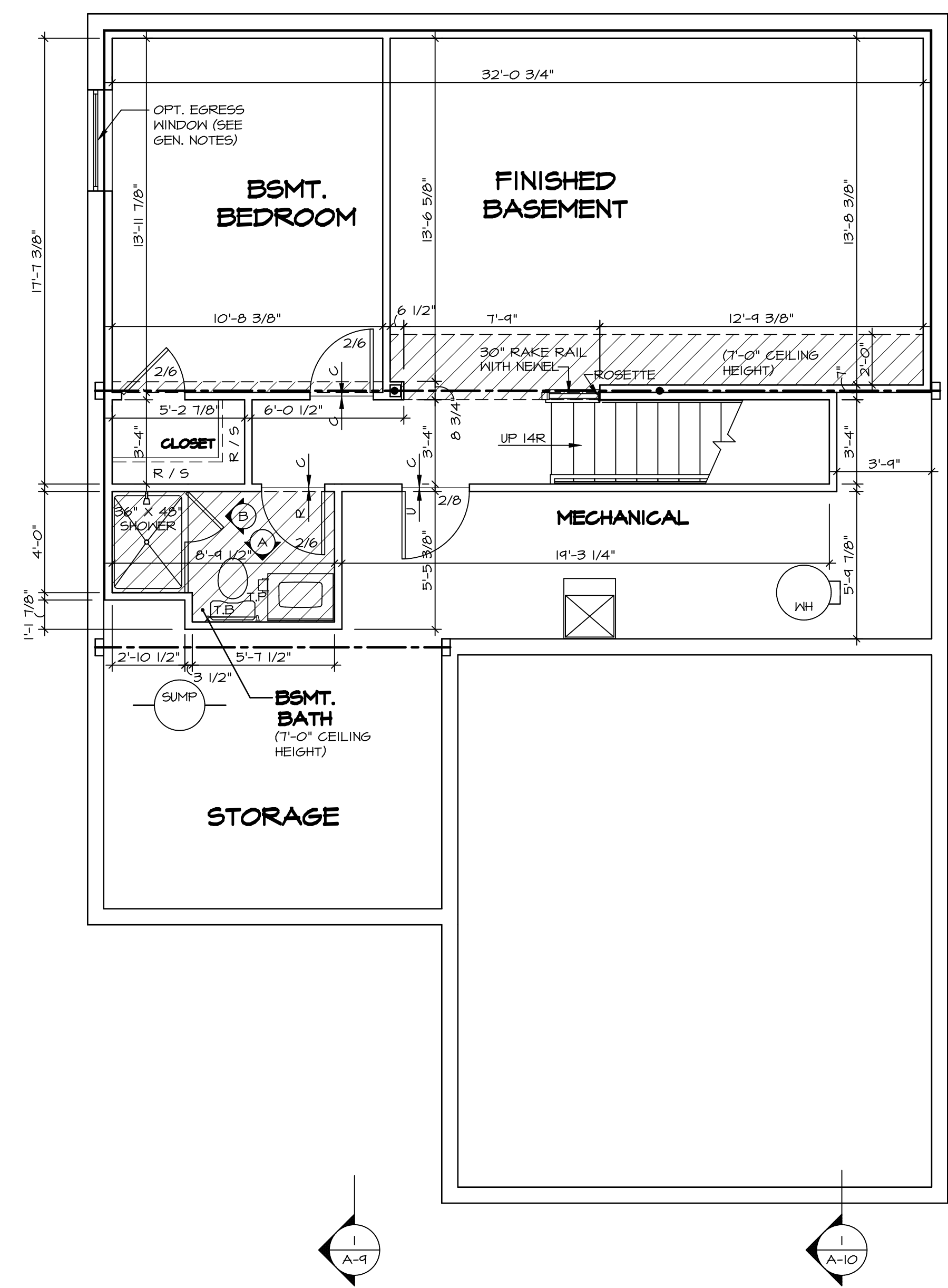
PLUMBING PLAN
 SCALE: 1/4" = 1'-0"

SHEET NO. A-5	MODEL BALLENGER	SET NO. BL600
	DRAWING TITLE PLUMBING PLAN	VERSION 01
	OPTION DESCRIPTION	DRAWN BY
		DATE:
		OPTION



© NVR, Inc. NVR, Inc. expressly reserves the right to modify these plans without notice. These plans are not to be reproduced, changed or copied in any way without the written consent of NVR, Inc.

DIV-COMM-LOT-UNIT DCY-VG-L563	
COMM-LOT	VLGS OF WINDING CREEK WARR CO - L563
STREET ADDRESS	4440 WHISPERING STREAM CT
CITY	CENTERVILLE
STATE	OH
ZIP	45459



BASEMENT FLOOR PLAN
 SCALE: 1/4" = 1'-0"

LEGEND

	BEARING WALL
	NON BEARING WALL
	INDICATES BEARING FROM POINT-LOAD ABOVE
	JACKS
	BEAM/HEADER
	PAD FOOTING
	STEEL COLUMN
	PORTAL FRAME
	JOIST/TRUSS
	LVL
	ENGINEERING PAGE NUMBER

SEE FC DETAILS FOR FRAMING CONNECTORS

- FLOOR PLAN NOTES**
- ALL HEADERS ARE (2) 2x6 w/ 2x4 WALLS OR (3) 2x6 w/ 2x6 WALLS, UNLESS OTHERWISE NOTED.
 - ALL HEADERS TO HAVE (1) 2x4 OR 2x6 JACK AND KING STUD EACH END, UNLESS OTHERWISE NOTED.
 - ALL EXTERIOR WALLS TO BE 4" w/ OSB OR 3 1/2" w/ T-PLY, ALL INTERIOR WALLS TO BE 3 1/2", UNLESS OTHERWISE NOTED.
 - HATCHED AREAS INDICATE DROPPED CEILINGS. ALL DROPPED CEILINGS ARE 12" UNLESS OTHERWISE NOTED.
 - SEE "BRACED WALL PANEL DETAIL SHEET" FOR SPECIAL WALL FRAMING LOCATIONS AND HEADER SIZES, IF APPLICABLE.
 - SEE STANDARD DETAIL CATEGORY "IT" SHEET(S) FOR INTERIOR TRIM DETAILS.
 - SEE ARCHITECTURAL DETAIL SHEET "AD" FOR HOUSE SPECIFIC INTERIOR TRIM OPTION TABLE.
 - ALL WINDOWS HAVE 1"-0 1/2" HEADER HEIGHT UNLESS OTHERWISE NOTED.
 - ALL HEADERS IN NON-BEARING WALLS SHALL BE A SINGLE FLAT 2x4 OR 2x6 ATTACHED TO CRIPPLES ABOVE, UNLESS OTHERWISE NOTED.
 - TANKED WATER HEATER SHOWN AS BASE CONDITION, OPTIONAL TANKLESS WATER HEATER IS AVAILABLE IN LIEU OF TANKED WATER HEATER.

- GYPSUM NOTES**
- AT GARAGE:
 GYPSUM BOARD AT COMMON WALLS, CEILINGS, BEAM WRAPS AND SUPPORTS PER STANDARD DETAIL FA-1(b) FIRE ASSEMBLIES OR AS REQUIRED BY LOCAL CODE.
- AT STAIRS:
 1/2" GYPSUM BOARD AT UNDERSIDE OF STAIRS AND WALLS IN CLOSET

SHEET NO. A-6	MODEL BALLENGER DRAWING TITLE BASEMENT FLOOR PLAN OPTION DESCRIPTION 	SET NO. BLG00 VERSION 01 DRAWN BY DATE: OPTION	DIV-COMM-LOT-UNIT DCY-VG-L563 COMM-LOT VLGS OF WINDING CREEK WARR CO - L563 STREET ADDRESS 4440 WHISPERING STREAM CT CITY STATE OH ZIP CENTERVILLE OH 45459
		5285 Walkersville Rd, Suite 100 Frederick, MD 21703	
© NVR, Inc. The owner expressly reserves the right to modify or change these plans at any time without notice. These plans are not to be reproduced, changed or altered in any way without the written consent of NVR, Inc.			

C:\NVR\Solves\BALLENGER-BLG00_01\DCY-VG-L563\1695505\Sheets\Lot_Specs\A27 A-6 BSMT_LS.dwg 02/26/20 - 7:08 am

FIRST FLOOR JACK SCHEDULE				
IDENTIFIER	DESCRIPTION	OPTIONS	ENG. NUM.	REMARKS
J101	JACK - (2) 2X4 SFF STUD GRADE		1041	
J102	JACK - (2) 2X4 SFF STUD GRADE		1041	
J103	JACK - (3) 2X4 SFF STUD GRADE		1045	
J104	JACK - (3) 2X4 SFF STUD GRADE		1045	
J105	JACK - (2) 2X4 SFF STUD GRADE		1028	
J106	JACK - (2) 2X4 SFF STUD GRADE		1028	
J112	JACK - (3) 2X4 SFF STUD GRADE	ELL	1028	
J117	JACK - (5) 2X4 SFF#1	ELB, ELC, ELL	1014	
J118	JACK - (5) 2X4 SFF#1	ELB, ELC, ELL, 6CB	1014	
J119	JACK - (4) 2X4 SFF STUD GRADE	ELB, ELC, ELL	1018	
J120	JACK - (4) 2X4 SFF STUD GRADE	ELB, ELC, ELL	1018	
J125	JACK - (4) 2X4 SFF STUD GRADE		1006	
J126	JACK - (4) 2X4 SFF STUD GRADE		1006	
J130	JACK - (2) 2X4 SFF STUD GRADE			
J131	JACK - (2) 2X4 SFF STUD GRADE			
J132	JACK - (4) 2X4 SFF STUD GRADE		1006	

STEEL COLUMN SCHEDULE					
IDENTIFIER	STYLE	HEIGHT	OPTIONS	ENG. NUM.	REMARKS
---	STANCHION PORCH - 3 IN DIA ADJ	4'-4 7/8"			
C101	STANCHION - 3 IN SCHED 40	7'-11 1/8"		1008	
C102	STANCHION - 3 IN SCHED 40	7'-11 1/8"		1008	

FIELD INSTALLED FIRST FLOOR BEAM/HEADER SCHEDULE					
IDENTIFIER	DESCRIPTION	LENGTH	OPTIONS	ENG. NUM.	REMARKS
B101	BEAM STEEL - W12X35	24'-11"		1008	
B103	BEAM STEEL - W12X30	20'-0"	ELB, ELC, ELL, SXC	1014	

LVL PLY TO PLY FASTENING SCHEDULE: (WHERE APPLICABLE BASED ON LVL USAGE)

1.A - (2) PLY UP TO AND INCLUDING 11 7/8" TALL. FASTEN PLYS W/ (2) ROWS 16D NAILS AT 12" O.C. OR ALT 1 1/2" WIDE LVL FASTEN PLYS W/ (3) ROWS 12D NAILS AT 12" O.C.

2.A - (2) PLY 14" TO AND INCLUDING 18" TALL (INCLUSIVE). FASTEN PLYS W/ (3) ROWS 16D NAILS AT 12" O.C. OR ALT 1 1/2" WIDE LVL FASTEN PLYS W/ (4) ROWS 12D NAILS AT 12" O.C.

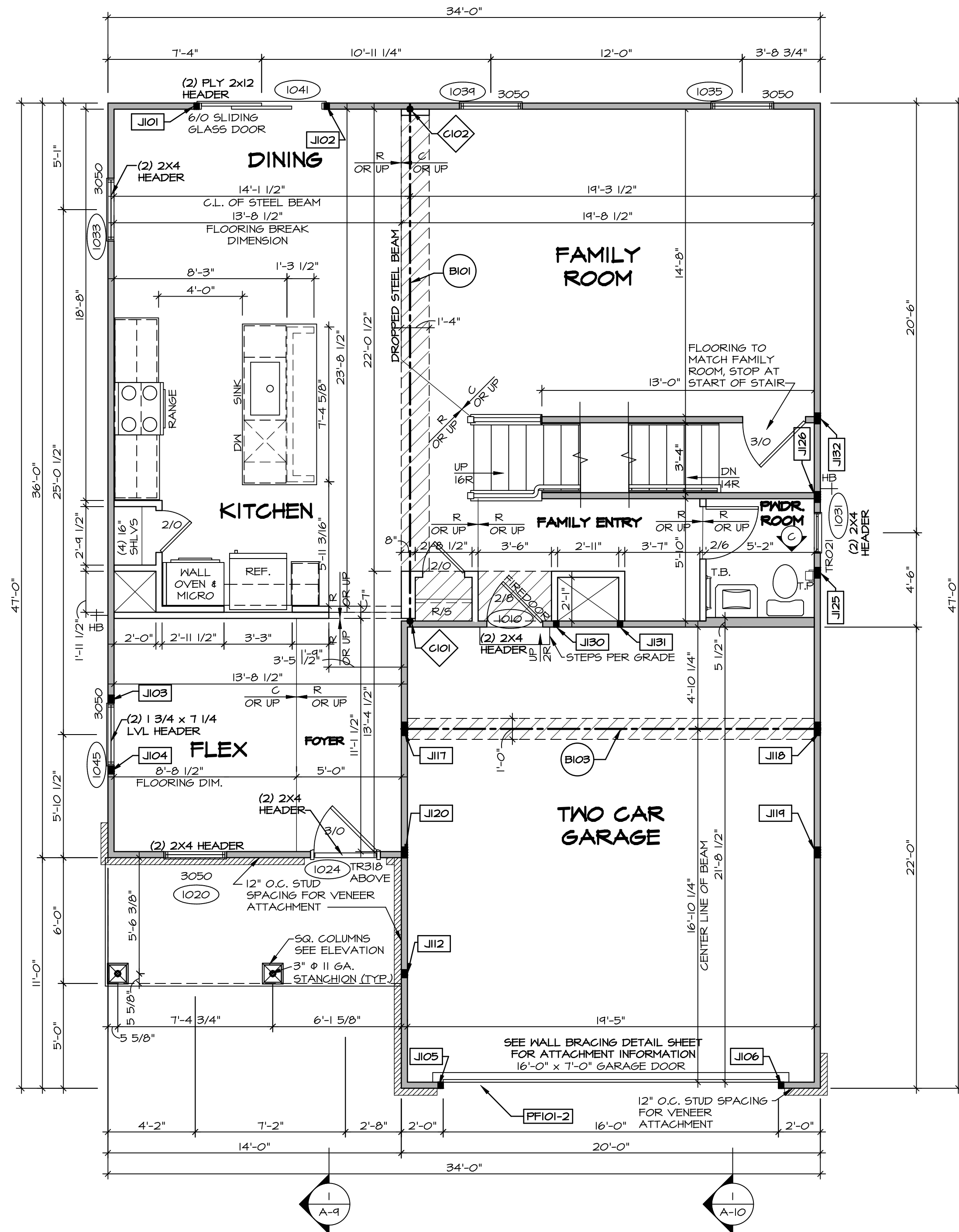
3.A - (2) PLY 20" TALL AND OVER. FASTEN PLYS W/ (4) ROWS 16D NAILS AT 12" O.C. OR ALT 1 1/2" WIDE LVL FASTEN PLYS W/ (5) ROWS 12D NAILS AT 12" O.C.

4.A - (3) PLY UP TO AND INCLUDING 11 7/8" TALL. FASTEN PLYS W/ (2) ROWS 16D NAILS AT 12" O.C. FROM EACH SIDE OR ALT 1 1/2" WIDE LVL FASTEN PLYS W/ (3) ROWS 12D NAILS AT 12" O.C. FROM EACH SIDE.

5.A - (3) PLY 14" TO AND INCLUDING 18" TALL (INCLUSIVE). FASTEN PLYS W/ (3) ROWS 16D NAILS AT 12" O.C. FROM EACH SIDE OR ALT 1 1/2" WIDE LVL FASTEN PLYS W/ (4) ROWS 12D NAILS AT 12" O.C. FROM EACH SIDE.

6.A - (3) PLY 20" TALL AND OVER. FASTEN PLYS W/ (4) ROWS 16D NAILS AT 12" O.C. FROM EACH SIDE OR ALT 1 1/2" WIDE LVL FASTEN PLYS W/ (5) ROWS 12D NAILS AT 12" O.C. FROM EACH SIDE.

7.A - (4) PLY (ALL SIZES). FASTEN PLYS W/ (2) ROWS 1/2" DIAMETER A307 BOLTS AT 24" O.C. SEE SHOP DRAWING FOR ADDITIONAL INFORMATION.



FIRST FLOOR PLAN
SCALE: 1/4" = 1'-0"

LEGEND	
[Symbol]	BEARING WALL
[Symbol]	NON BEARING WALL
[Symbol]	INDICATES BEARING FROM POINT-LOAD ABOVE
[Symbol]	JACKS
[Symbol]	BEAM/HEADER
[Symbol]	PAD FOOTING
[Symbol]	STEEL COLUMN
[Symbol]	PORTAL FRAME
[Symbol]	JOIST/TRUSS
[Symbol]	LVL
[Symbol]	ENGINEERING PAGE NUMBER

SEE FC DETAILS FOR FRAMING CONNECTORS

- FLOOR PLAN NOTES**
- ALL HEADERS ARE (2) 2x6 w/ 2x4 WALLS OR (3) 2x6 w/ 2x6 WALLS, UNLESS OTHERWISE NOTED.
 - ALL HEADERS TO HAVE (1) 2x4 OR 2x6 JACK AND KING STUD EACH END, UNLESS OTHERWISE NOTED.
 - ALL EXTERIOR WALLS TO BE 4" w/ OSB OR 3 1/2" w/ T-PLY. ALL INTERIOR WALLS TO BE 3 1/2", UNLESS OTHERWISE NOTED.
 - HATCHED AREAS INDICATE DROPPED CEILINGS. ALL DROPPED AREAS INDICATE DROPPED CEILINGS. ALL DROPPED CEILINGS ARE 12" UNLESS OTHERWISE NOTED.
 - SEE "BRACED WALL PANEL DETAIL SHEET" FOR SPECIAL WALL FRAMING LOCATIONS AND HEADER SIZES, IF APPLICABLE.
 - SEE STANDARD DETAIL CATEGORY "IT" SHEET(S) FOR INTERIOR TRIM DETAILS.
 - SEE ARCHITECTURAL DETAIL SHEET "AD" FOR HOUSE SPECIFIC INTERIOR TRIM OPTION TABLE.
 - ALL WINDOWS HAVE 7'-0 1/2" HEADER HEIGHT UNLESS OTHERWISE NOTED.
 - ALL HEADERS IN NON-BEARING WALLS SHALL BE A SINGLE FLAT 2X4 OR 2X6 ATTACHED TO CRIPPLES ABOVE, UNLESS OTHERWISE NOTED.
 - TANKED WATER HEATER SHOWN AS BASE CONDITION. OPTIONAL TANKLESS WATER HEATER IS AVAILABLE IN LIEU OF TANKED WATER HEATER.

- GYPSUM NOTES**
- AT GARAGE:
GYPSUM BOARD AT COMMON WALLS, CEILINGS, BEAM WRAPS AND SUPPORTS PER STANDARD DETAIL FA-1(b) FIRE ASSEMBLIES OR AS REQUIRED BY LOCAL CODE.
- AT STAIRS:
1/2" GYPSUM BOARD AT UNDERSIDE OF STAIRS AND WALLS IN CLOSET

DCY-VG-L563
COMMIT-LOT
STREET ADDRESS
4440 WHISPERING STREAM CT
CITY STATE OH ZIP
CENTERVILLE OH 45458

NVR, Inc. expressly reserves the right to modify the information contained in these plans without notice. These plans are not to be reproduced, changed, or altered in any way without the written consent of NVR, Inc.

NVR
NVR, Inc. Suite 100
5285 Washington Blvd.
Frederick, MD 21703

MODEL: BALLENGER
DRAWING TITLE: FIRST FLOOR PLAN
OPTION DESCRIPTION: A-7
SHEET NO.: A-7
VERSION: 01
DRAWN BY:
DATE:
OPTION: 29

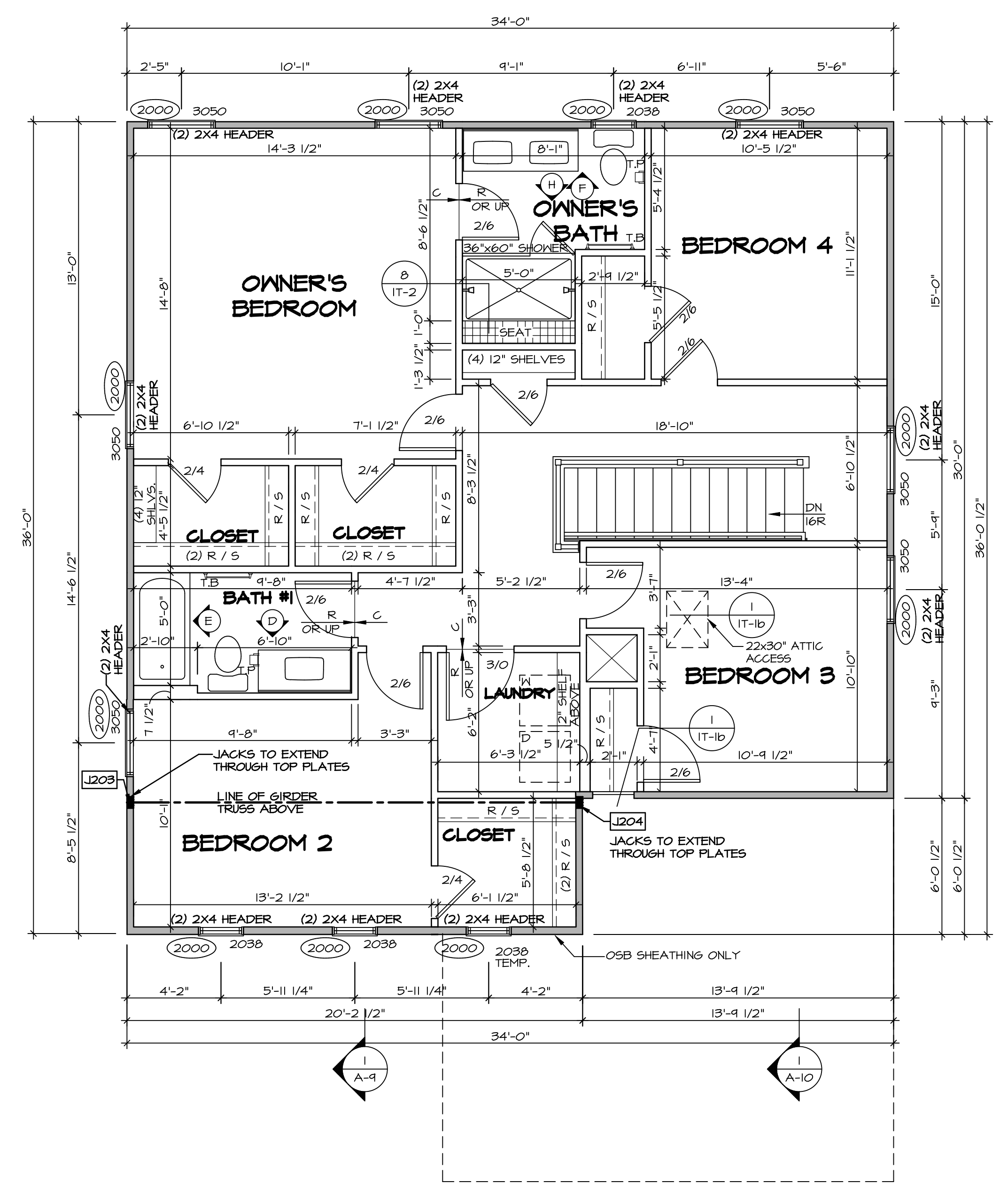
SECOND FLOOR JACK SCHEDULE				
IDENTIFIER	DESCRIPTION	OPTIONS	ENG. NUM.	REMARKS
J203	JACK - (4) 2X4 5PH	ELB, ELC, ELL	2004	EXTEND THRU TOP PLATE
J204	JACK - (4) 2X4 5PH	ELB, ELC, ELL	2004	EXTEND THRU TOP PLATE

LEGEND	
	BEARING WALL
	NON BEARING WALL
	INDICATES BEARING FROM POINT-LOAD ABOVE
	JACKS
	BEAM/HEADER
	PAD FOOTING
	STEEL COLUMN
	PORTAL FRAME
	JOIST/TRUSS
	LVL
	ENGINEERING PAGE NUMBER

SEE FC DETAILS FOR FRAMING CONNECTORS

- ### FLOOR PLAN NOTES
- ALL HEADERS ARE (2) 2x6 w/ 2x4 WALLS OR (3) 2x6 w/ 2x6 WALLS, UNLESS OTHERWISE NOTED.
 - ALL HEADERS TO HAVE (1) 2x4 OR 2x6 JACK AND KING STUD EACH END, UNLESS OTHERWISE NOTED.
 - ALL EXTERIOR WALLS TO BE 4" w/ OSB OR 3 1/2" w/ T-PLY. ALL INTERIOR WALLS TO BE 3 1/2", UNLESS OTHERWISE NOTED.
 - HATCHED AREAS INDICATE DROPPED CEILING. ALL DROPPED CEILING ARE 12" UNLESS OTHERWISE NOTED.
 - SEE "BRACED WALL PANEL DETAIL SHEET" FOR SPECIAL WALL FRAMING LOCATIONS AND HEADER SIZES, IF APPLICABLE.
 - SEE STANDARD DETAIL CATEGORY "IT" SHEET(S) FOR INTERIOR TRIM DETAILS.
 - SEE ARCHITECTURAL DETAIL SHEET "AD" FOR HOUSE SPECIFIC INTERIOR TRIM OPTION TABLE.
 - ALL WINDOWS HAVE 7'-0 1/2" HEADER HEIGHT UNLESS OTHERWISE NOTED.
 - ALL HEADERS IN NON-BEARING WALLS SHALL BE A SINGLE FLAT 2X4 OR 2X6 ATTACHED TO CRIPPLES ABOVE, UNLESS OTHERWISE NOTED.
 - TANKED WATER HEATER SHOWN AS BASE CONDITION. OPTIONAL TANKLESS WATER HEATER IS AVAILABLE IN LIEU OF TANKED WATER HEATER.

- ### GYPSUM NOTES
- AT GARAGE:
GYPSUM BOARD AT COMMON WALLS, CEILING, BEAM WRAPS AND SUPPORTS PER STANDARD DETAIL FA-1(b) FIRE ASSEMBLIES OR AS REQUIRED BY LOCAL CODE.
- AT STAIRS:
1/2" GYPSUM BOARD AT UNDERSIDE OF STAIRS AND WALLS IN CLOSET



SECOND FLOOR PLAN
SCALE: 1/4" = 1'-0"

SHEET NO. A-8	MODEL BALLENGER	SET NO. BLG00	VERSION 01
		DRAWN BY	DATE:
OPTION DESCRIPTION	DRAWING TITLE SECOND FLOOR PLAN	DATE:	OPTION
		DATE:	OPTION
32			

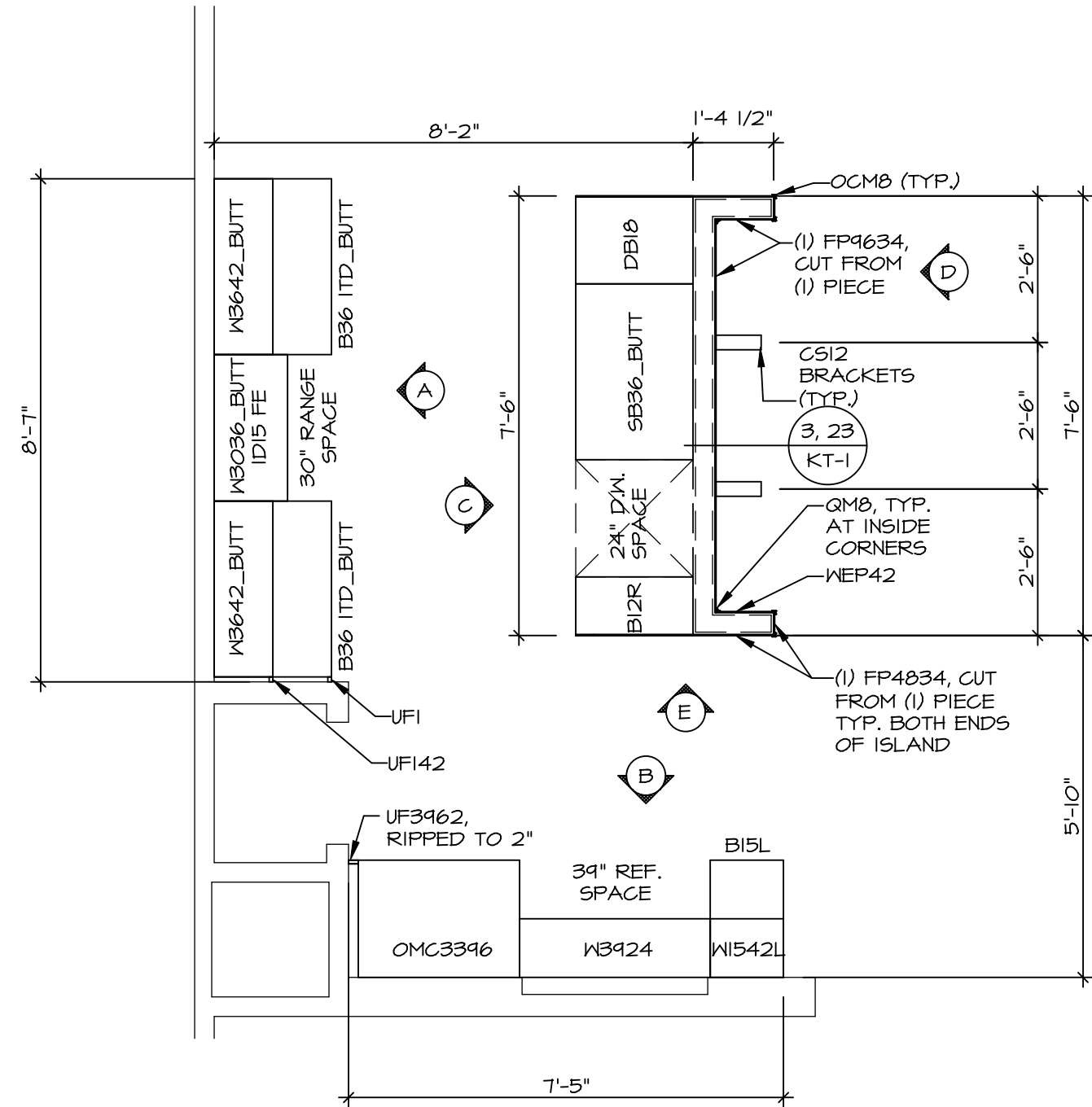
DIV-COMM-LOT-UNIT DCY-VG-L563	
COMM-LOT	VLGS OF WINDING CREEK WARR CO - L563
STREET ADDRESS	4440 WHISPERING STREAM CT
CITY	CENTERVILLE
STATE	OH
ZIP	45458

© NVR, Inc. The owner expressly reserves the right to modify, alter, change, or delete any portion of these plans. These plans are not to be reproduced, changed, or copied in any way without the written consent of NVR, Inc.

NVR
NVR, Inc. Suite 100
Friedrich, MD 21703
5285 Washburn Rd

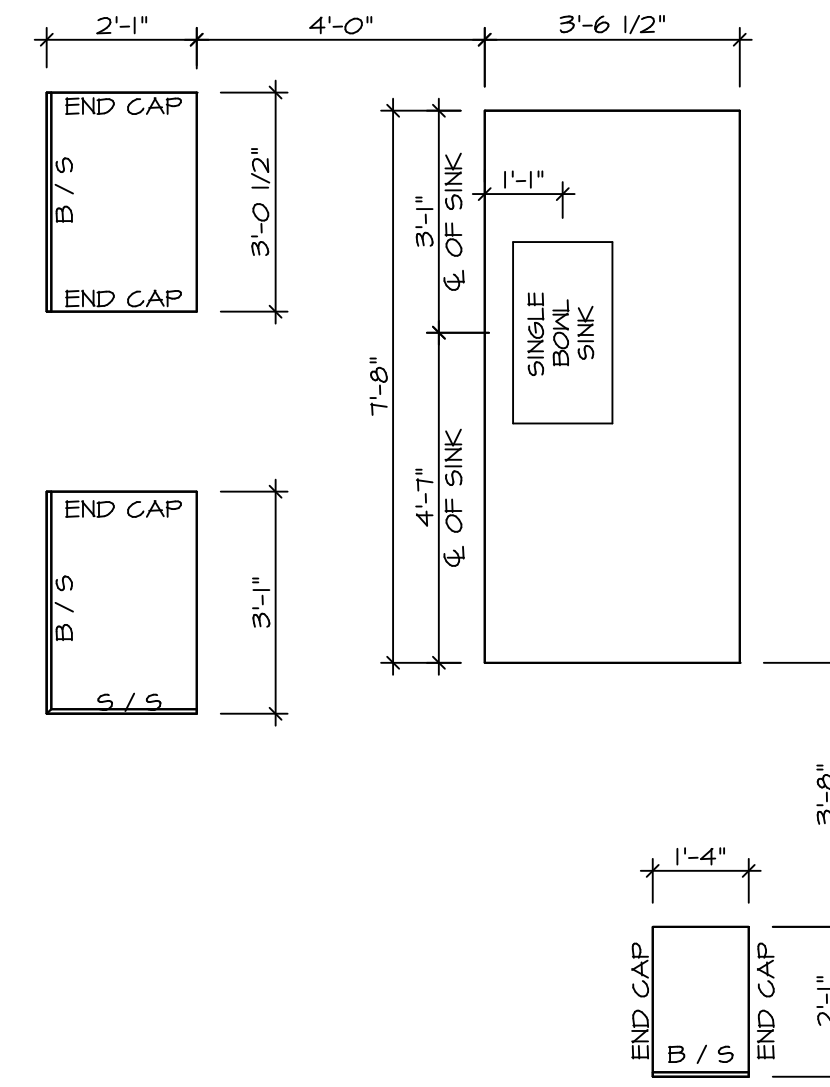
C:\NVR\Solves\BALLENGER-BLG00_01\DCY-VG-L563\1695505\Sheets\Lot_Specifs\32_A-8_PLN2_LS.dwg 07/25/20 - 7:09 am

- NOTES:**
1. CABINET LAYOUT (S) ARE BASED ON FINISHED DIMENSIONS TO DRYWALL.
 2. IF KITCHEN PLANS/ELEVATIONS CALL-OUT STANDARD MOLDING, REFER TO STANDARD DETAIL (1/KT-1) FOR REPLACEMENT BASED ON CABINET STYLE.
 3. ALL (FP#) FILLERS ARE TO BE "TRIM TO FIT" UNLESS OTHERWISE NOTED.
 4. CABINET MUST BE SET, SHIMMED, LEVELED AND PLUMB W/ ADJOINING BASE CABINETS.
 5. SET PRE-FINISHED SCRIBE MOLDING AT CABINET BULKHEADS AND AT ENDS (WHERE CABINETS MEET DRYWALL.) PRE-FINISHED SCRIBE MOLDING SHALL BE USED TO PAD OUT CABINET SIDES AT STILE FOR RETURN PIECES OF THE FACE-MOUNTED CABINET CROWN MOLDING.
 6. HARDWARE INSTALL NOTE: KNOBS GO ON DOORS AND DRAWERS FOR ALL AREAS. ALL DRAWER FRONTS AND DOORS GET (1) KNOB/FULL. NO HARDWARE ON FALSE DRAWER FRONTS.



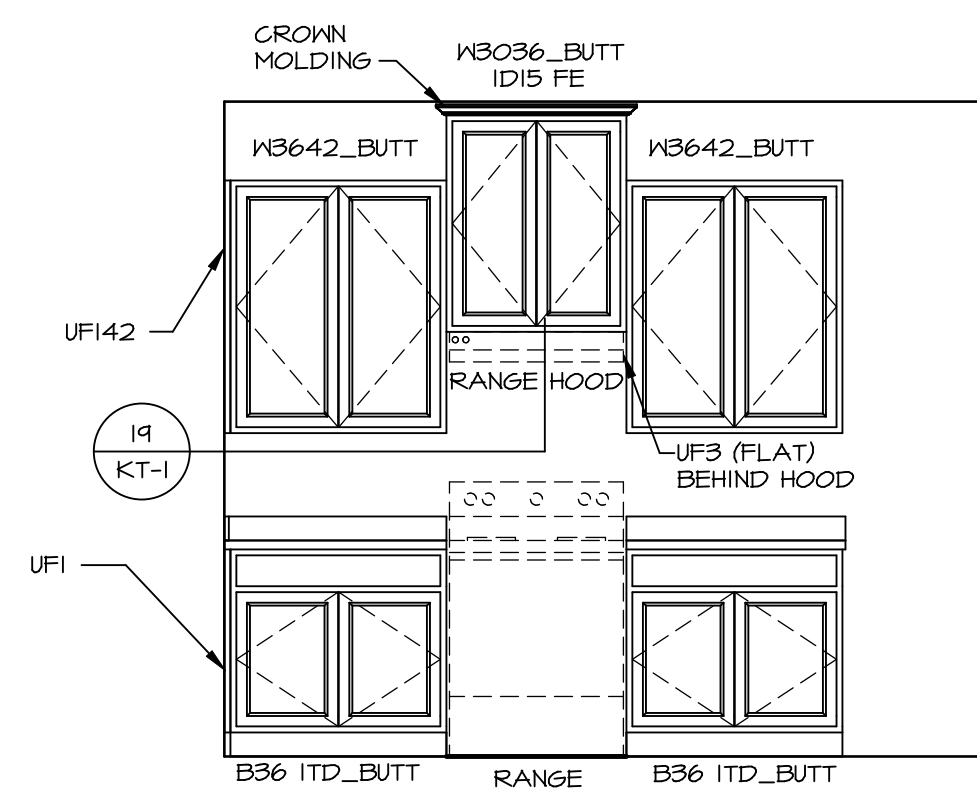
KITCHEN CABINET PLAN (KC - 3492)

1
A-12 SCALE: 3/8" = 1'-0"



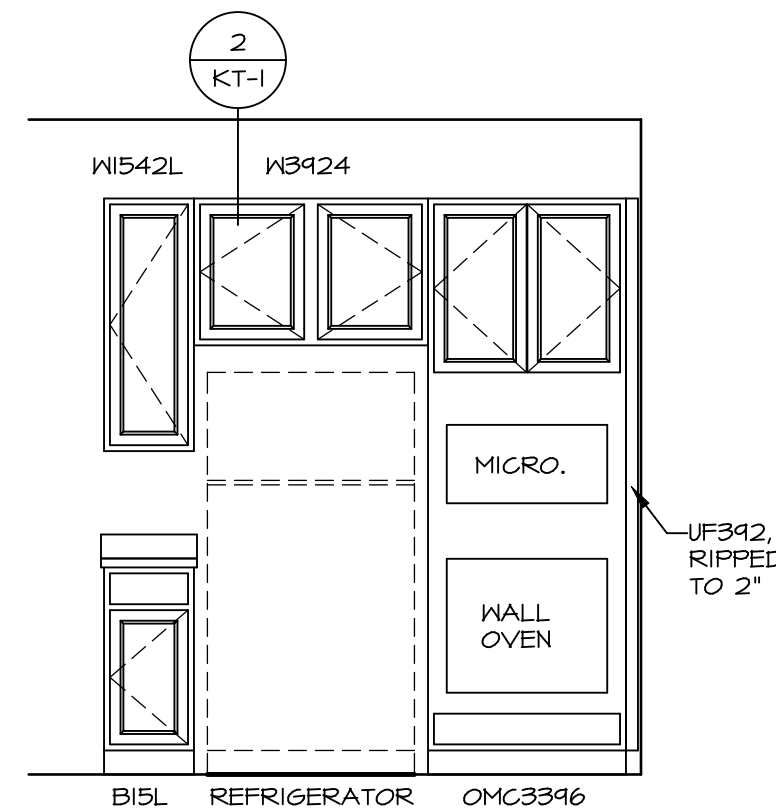
KITCHEN COUNTERTOP PLAN (KC - 3492)

2
A-12 SCALE: 3/8" = 1'-0"



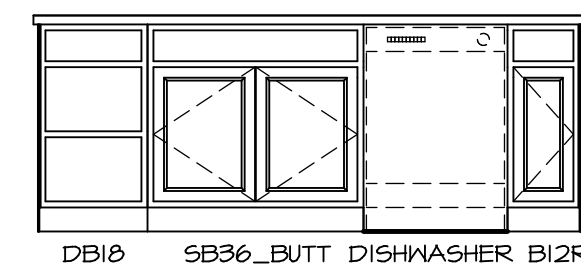
ELEVATION "A"

SCALE: 3/8" = 1'-0"



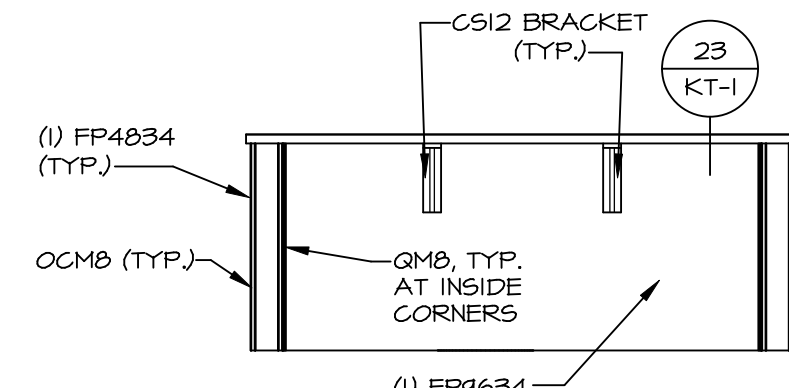
ELEVATION "B"

SCALE: 3/8" = 1'-0"



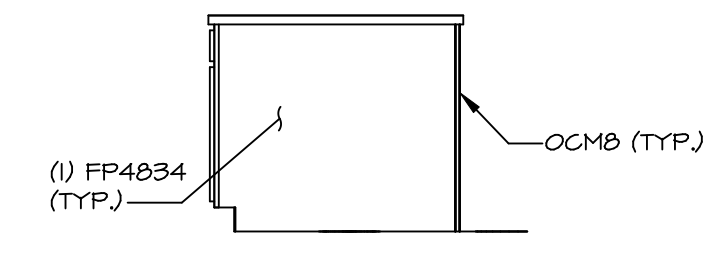
ELEVATION "C"

SCALE: 3/8" = 1'-0"



ELEVATION "D"

SCALE: 3/8" = 1'-0"

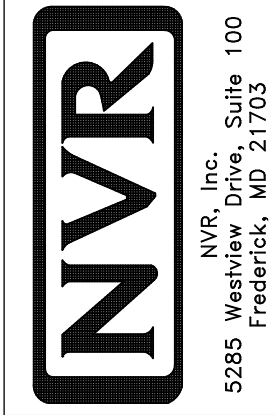


ELEVATION "E"

SCALE: 3/8" = 1'-0"

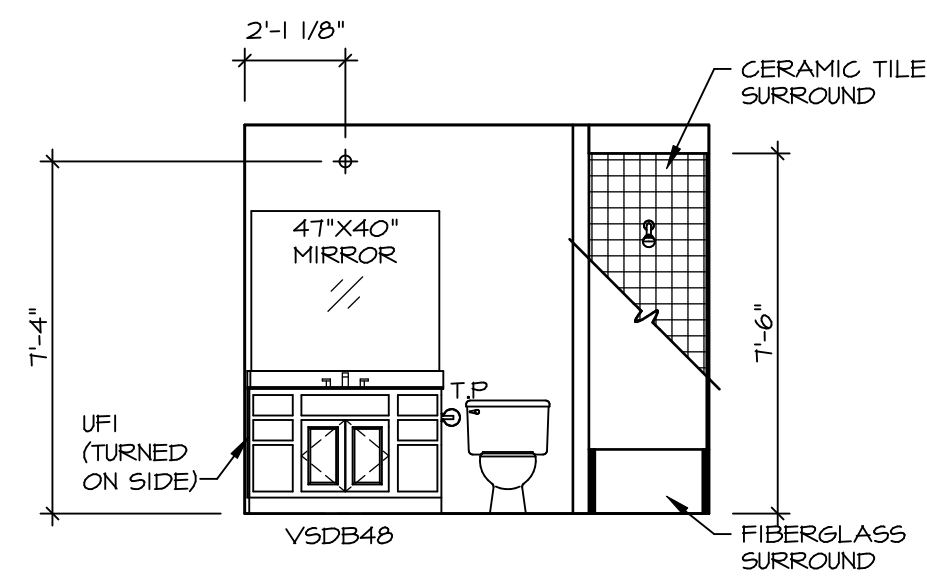
SHEET NO. **A-12**
MODEL **BALLENGER**
DRAWING TITLE **KITCHEN PLANS**
OPTION DESCRIPTION

47

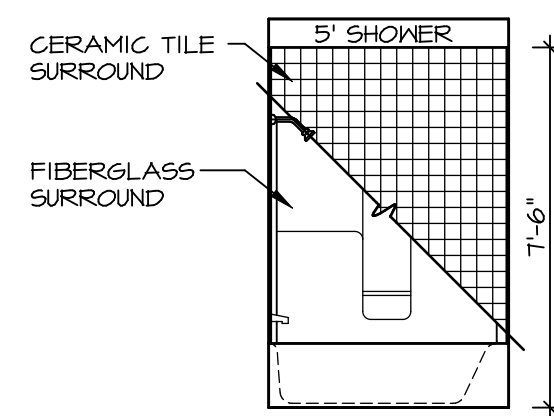


© NVR, Inc. expressly reserves the copyright and all other rights in these plans. These plans are not to be reproduced, changed or copied in any way without the prior written consent of NVR, Inc.

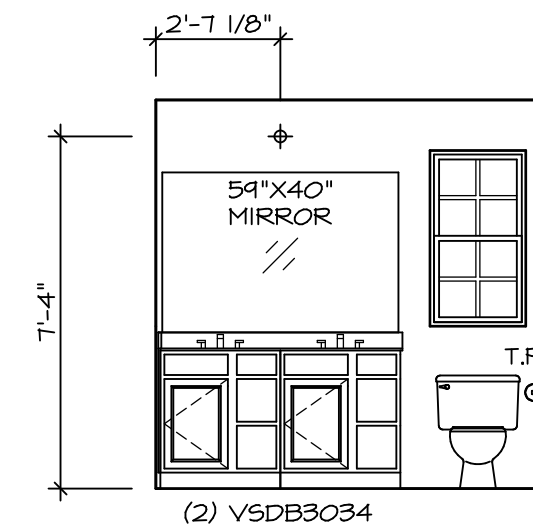
BIV-COMM-LOT-UNIT
DCY-VG-L563
COMM-LOT
VILGS OF WINDING CREEK WARR CO - L663
STREET ADDRESS
4440 WHISPERING STREAM CT
CITY STATE OH ZIP
CENTERVILLE OH 45458



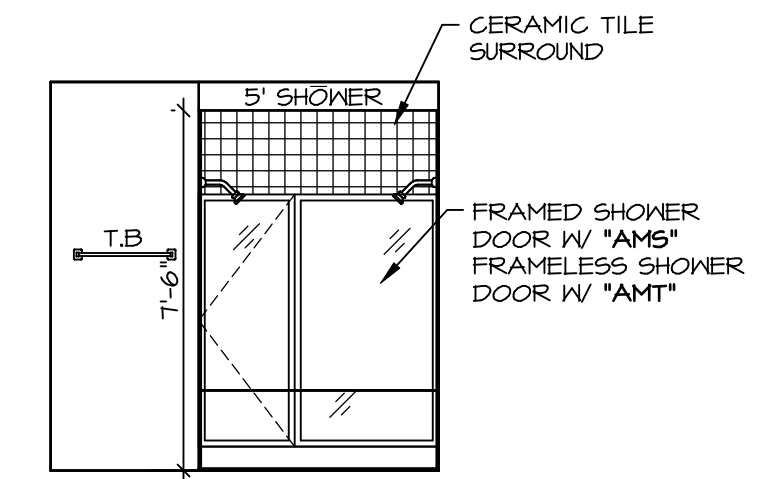
D BATH #1
SCALE: 1/4" = 1'-0"



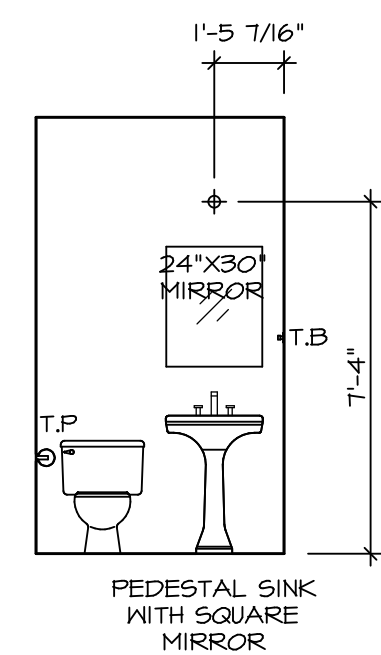
E BATH #1
SCALE: 1/4" = 1'-0"



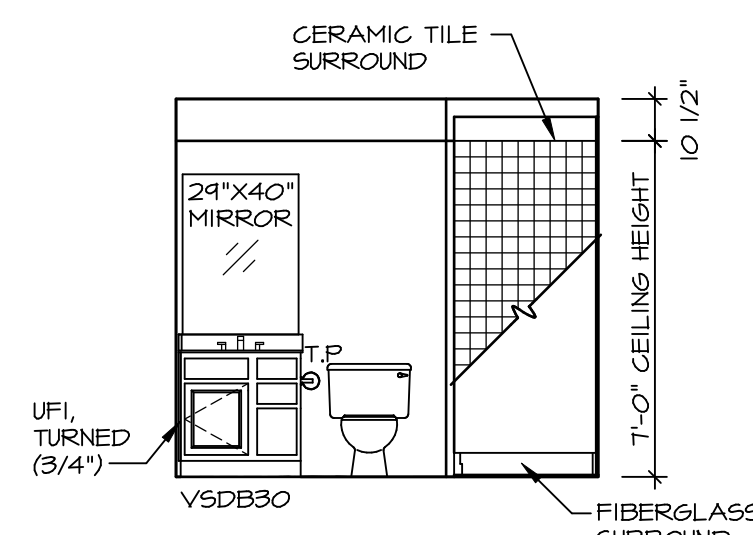
F OWNER'S BATH
SCALE: 1/4" = 1'-0"



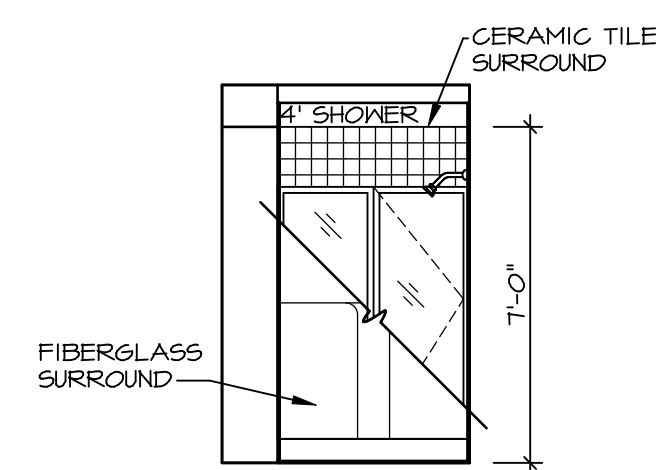
H OWNER'S BATH
SCALE: 1/4" = 1'-0"



C POWDER ROOM
SCALE: 1/4" = 1'-0"



A BASEMENT BATH
SCALE: 1/4" = 1'-0"



B BASEMENT BATH
SCALE: 1/4" = 1'-0"

NOTES:

1. TEMPERED GLASS SHOWER ENCLOSURE WITH SWING DOOR OR OPTIONAL SLIDING DOOR BY DIVISION
2. TUB ACCESS PANELS PROVIDED AS NEEDED. ALL MATERIALS BY DIVISION
3. REFER TO SHEET IT-2 FOR TUB AND SHOWER DETAILS.
4. ALL VSD24-42 DRAWERS TO BE SET ON RIGHT HAND.
5. ALL BATH ELEVATIONS ARE SHOWN PER PLAN.

	DCY-VG-L563		
DIV-COMM-LOT-UNIT	COMM-LOT	STREET ADDRESS	CITY
VLSGS OF WINDING CREEK WARR CO - L563	4440 WHISPERING STREAM CT	STATE	ZIP
APT. NO.	OH	45459	
<p>© NVR, Inc. expressly reserves the right to modify or change these plans without notice. These plans are not to be reproduced, changed or altered in any way without the written consent of NVR, Inc.</p>			
<p>NVR, Inc. Suite 100 5285 Westpark Drive Frederick, MD 21703</p>			
SET NO. BLG00	VERSION 01	DRAWN BY	DATE:
MODEL	DRAWING TITLE	OPTION	OPTION
A-13	BATH ELEVATIONS		
SHEET NO.	DESCRIPTION		OPTION
49			