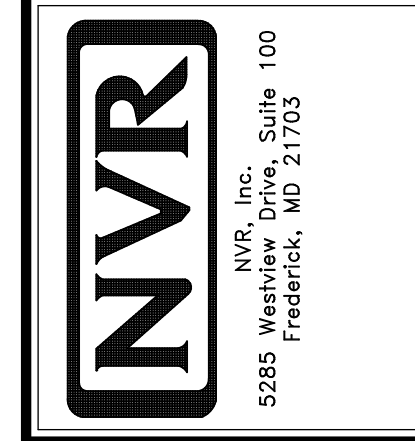


**PLUMBING PLAN**  
SCALE: 1/4" = 1'-0"

**NOTE**  
RADON REMEDIATION  
RADON LOOP:  
- (4") PERFORATED HDPE "LOOP"  
- MUST BE PLACED IN STONE BED SLIGHTLY HIGHER THAN ANY INTERIOR DRAINTILE  
- LOOP TO BE SEPARATE FROM ANY DRAINTILE ELEMENTS  
- TO BE CORRUGATED HDPE PIPE  
- SCREENS TO BE INSTALLED THROUGH LOOP AT TEE UP INTO STACK  
STACK REQUIREMENTS:  
- 3" PVC STACK (4" IF BASEMENT IS GREATER THAN 2200 SQFT.)  
- NO PART OF STACK IS TO BE HORIZONTAL  
- PIPE TO BE PHYSICALLY LABELED IN THE FIELD AS "RADON VENT" OR OTHER JURISDICTIONALLY REQUIRED LANGUAGE (ON EVERY LEVEL OF HOUSE)  
- ROOF TERMINATION TO BE IN TOP 1/3 OF ROOF  
- SCREEN INSTALLED TO KEEP PESTS OUT OF RADON VENT AT ROOF TERMINATION

SHEET NO.	<b>A-5</b>	OPTION DESCRIPTION	<b>22</b>
MODEL	<b>ALLEGHENY</b>	SET NO. <b>AL600</b>	VERSION <b>01</b>
DRAWN BY	<b>TN</b>	DATE:	<b>08/04/2017</b>
DRAWING TITLE	<b>PLUMBING PLAN</b>	OPTION	



© NVR, Inc. expressly reserves the right to modify or amend these plans at any time without notice. These plans are not to be reproduced, changed or altered in any way without the written consent of NVR, Inc.

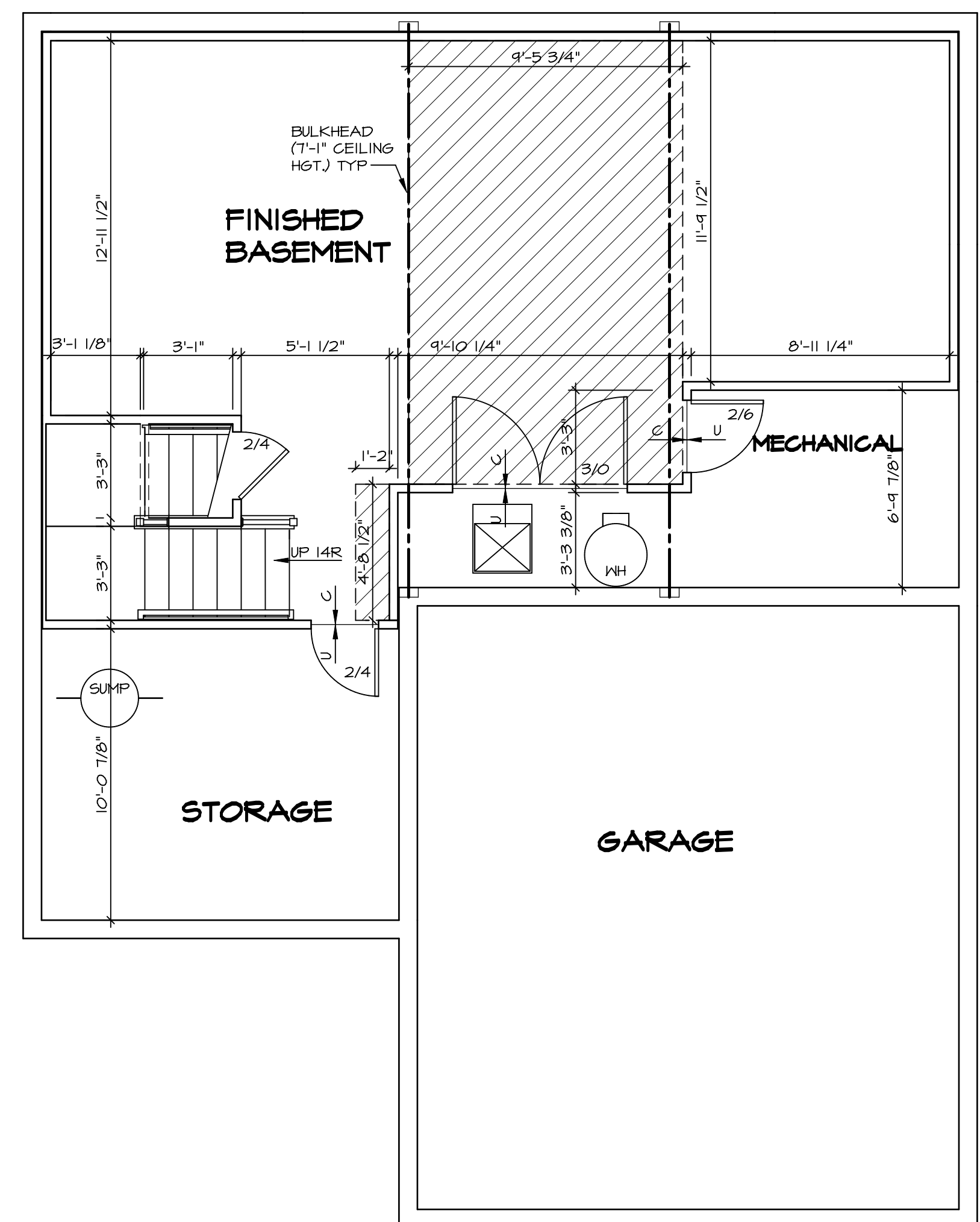
DIV-COMM-LOT-UNIT		<b>DCY-VG-L565</b>	
COMM-LOT	VLGS OF WINDING CREEK WARR CO - L565		
STREET ADDRESS	4482 WHISPERING STREAM CT		
CITY	STATE	ZIP	
CENTERVILLE	OH	45459	

LEGEND	
	BEARING WALL
	NON BEARING WALL
	INDICATES BEARING FROM POINT-LOAD ABOVE
	JACKS
	BEAM/HEADER
	PAD FOOTING
	STEEL COLUMN
	PORTAL FRAME
	JOIST/TRUSS
	LVL
	ENGINEERING PAGE NUMBER

SEE FC DETAILS FOR FRAMING CONNECTORS

- FLOOR PLAN NOTES**
- ALL HEADERS ARE (2) 2x6 w/ 2x4 WALLS OR (3) 2x6 w/ 2x6 WALLS, UNLESS OTHERWISE NOTED.
  - ALL HEADERS TO HAVE (1) 2x4 OR 2x6 JACK AND KING STUD EACH END, UNLESS OTHERWISE NOTED.
  - ALL EXTERIOR WALLS TO BE 4" w/ OSB OR 3 1/2" w/ T-PLY, ALL INTERIOR WALLS TO BE 3 1/2", UNLESS OTHERWISE NOTED.
  - HATCHED AREAS INDICATE DROPPED CEILINGS. ALL DROPPED CEILINGS ARE 12" UNLESS OTHERWISE NOTED.
  - SEE "BRACED WALL PANEL DETAIL SHEET" FOR SPECIAL WALL FRAMING LOCATIONS AND HEADER SIZES, IF APPLICABLE.
  - SEE STANDARD DETAIL CATEGORY "IT" SHEET(S) FOR INTERIOR TRIM DETAILS.
  - SEE ARCHITECTURAL DETAIL SHEET "AD" FOR HOUSE SPECIFIC INTERIOR TRIM OPTION TABLE.
  - ALL WINDOWS HAVE 7'-0 1/2" HEADER HEIGHT UNLESS OTHERWISE NOTED.
  - ALL HEADERS IN NON-BEARING WALLS SHALL BE A SINGLE FLAT 2X4 OR 2X6 ATTACHED TO CRIPPLES ABOVE, UNLESS OTHERWISE NOTED.
  - TANKED WATER HEATER SHOWN AS BASE CONDITION, OPTIONAL TANKLESS WATER HEATER IS AVAILABLE IN LIEU OF TANKED WATER HEATER.

- GYPHUM NOTES**
- AT GARAGE:  
GYPSUM BOARD AT COMMON WALLS, CEILINGS, BEAM WRAPS AND SUPPORTS PER STANDARD DETAIL FA-1(b) FIRE ASSEMBLIES OR AS REQUIRED BY LOCAL CODE.
- AT STAIRS:  
1/2" GYPSUM BOARD AT UNDERSIDE OF STAIRS AND WALLS IN CLOSET



**BASEMENT FLOOR PLAN**  
SCALE: 1/4" = 1'-0"

SHEET NO. <b>A-6</b>	MODEL <b>ALLEGHENY</b>	SET NO. <b>ALGOO</b>	VERSION <b>01</b>	DRAWN BY <b>TN</b>	DATE: <b>08/04/2017</b>	OPTION
		DRAWING TITLE <b>BASEMENT FLOOR PLAN</b>				
OPTION DESCRIPTION <b>26</b>		DIV-COMM-LOT-UNIT <b>DCY-VG-L565</b>				
		COMM-LOT <b>VLGS OF WINDING CREEK WARR CO - L565</b>				
		STREET ADDRESS <b>4482 WHISPERING STREAM CT</b>				
		CITY <b>CENTERVILLE</b>				
		STATE <b>OH</b>				
		ZIP <b>45459</b>				
		APT. NO. <b>1094</b>				

© NVR, Inc. expressly reserves the copyright and all other rights in these plans. These plans are not to be reproduced, changed or copied in any form or by any means, electronic or mechanical, including photocopying, recording, or by any information storage and retrieval system, without the prior written consent of NVR, Inc.

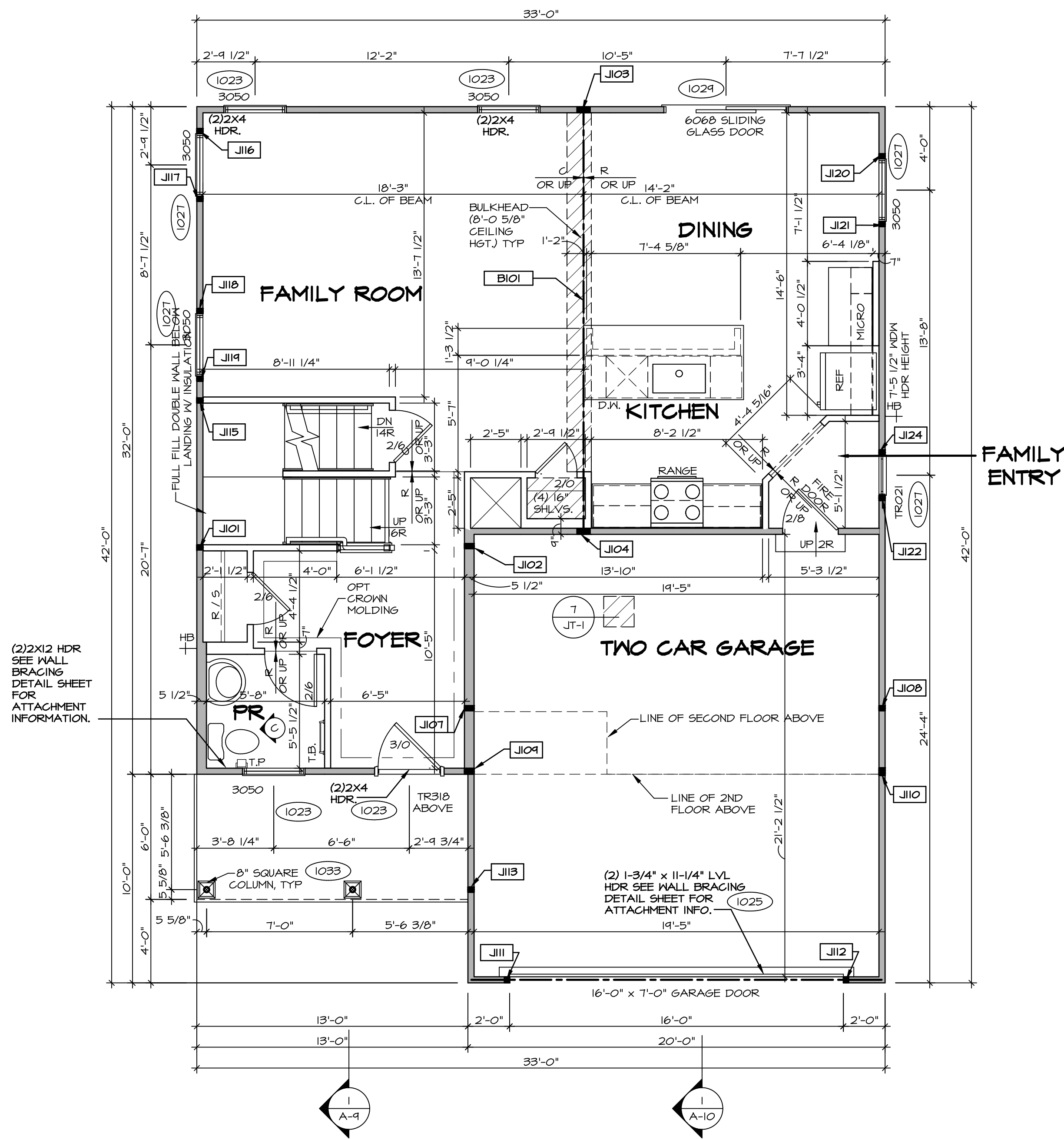
**NVR**  
NVR, Inc. Suite 100  
Frederick, MD 21703  
5285 Westpark Drive  
Frederick, MD 21703

C:\NVR\Solves\ALLEGHENY\_ALGOO\_01\DCY-VG-L565\1726625\Sheets\Lot\_Specific\A-6 A-6 BSMT\_LS.dwg 03/11/20 - 6:10 am

FIRST FLOOR JACK SCHEDULE				
IDENTIFIER	DESCRIPTION	ENG. NUM.	REMARKS	
J101	JACK - (2) 2X4 SFF STUD GRADE	1004		
J102	JACK - (2) 2X6 SFF STUD GRADE	1004		
J103	JACK - (3) 2X4 SFF#1	1008		
J104	JACK - (3) 2X4 SFF#1	1008		
J107	JACK - (2) 2X6 SFF #2	1014		
J108	JACK - (2) 2X4 SFF STUD GRADE	1014		
J109	JACK - (2) 2X6 SFF STUD GRADE	1016		
J110	JACK - (3) 2X4 SFF STUD GRADE	1016		
J111	JACK - (2) 2X4 SFF STUD GRADE	1025		
J112	JACK - (2) 2X4 SFF STUD GRADE	1025		
J113	JACK - (2) 2X4 SFF STUD GRADE	1033		
J115	JACK - (2) 2X4 SFF STUD GRADE	1006		
J116	JACK - (2) 2X4 SFF STUD GRADE	1021		
J117	JACK - (2) 2X4 SFF STUD GRADE	1021		
J118	JACK - (2) 2X4 SFF STUD GRADE	1021		
J119	JACK - (2) 2X4 SFF STUD GRADE	1021		
J120	JACK - (2) 2X4 SFF STUD GRADE	1021		
J121	JACK - (2) 2X4 SFF STUD GRADE	1021		
J122	JACK - (2) 2X4 SFF STUD GRADE	1021		
J124	JACK - (2) 2X4 SFF STUD GRADE	1021		

FIELD INSTALLED FIRST FLOOR BEAM/HEADER SCHEDULE				
IDENTIFIER	DESCRIPTION	LENGTH	ENG. NUM.	REMARKS
B101	BEAM STEEL - W10X30	20'-6"	1008	

STEEL COLUMN SCHEDULE				
IDENTIFIER	STYLE	HEIGHT	ENG. NUM.	REMARKS



**FIRST FLOOR PLAN**  
SCALE: 1/4" = 1'-0"

LEGEND	
	BEARING WALL
	NON BEARING WALL
	INDICATES BEARING FROM POINT-LOAD ABOVE JACKS
	JACKS
	BEAM/HEADER
	PAD FOOTING
	STEEL COLUMN
	PORTAL FRAME
	JOIST/TRUSS
	LVL
	ENGINEERING PAGE NUMBER

SEE FC DETAILS FOR FRAMING CONNECTORS

- FLOOR PLAN NOTES** RYAN
- ALL HEADERS ARE (2) 2x6 w/ 2x4 WALLS OR (3) 2x6 w/ 2x6 WALLS, UNLESS OTHERWISE NOTED.
  - ALL HEADERS TO HAVE (1) 2x4 OR 2x6 JACK AND KING STUD EACH END, UNLESS OTHERWISE NOTED.
  - ALL EXTERIOR WALLS TO BE 4" w/ OSB OR 3 1/2" w/ LAMINATED FIBROUS STRUCTURAL SHEATHING, ALL INTERIOR WALLS TO BE 3 1/2", UNLESS OTHERWISE NOTED.
  - HATCHED AREAS INDICATE DROPPED CEILINGS. ALL DROPPED CEILINGS ARE 12" UNLESS OTHERWISE NOTED.
  - SEE "BRACED WALL PANEL DETAIL SHEET" FOR SPECIAL WALL FRAMING LOCATIONS AND HEADER SIZES, IF APPLICABLE.
  - SEE STANDARD DETAIL CATEGORY "1T" SHEET(S) FOR INTERIOR TRIM DETAILS.
  - SEE ARCHITECTURAL DETAIL SHEET "AD" FOR HOUSE SPECIFIC INTERIOR TRIM OPTION TABLE.
  - ALL WINDOWS HAVE 7'-0 1/2" HEADER HEIGHT UNLESS OTHERWISE NOTED.
  - ALL HEADERS IN NON-BEARING WALLS SHALL BE A SINGLE FLAT 2X4 OR 2X6 ATTACHED TO GRIPPLIES ABOVE, UNLESS OTHERWISE NOTED.
  - TANKED WATER HEATER SHOWN AS BASE CONDITION, OPTIONAL TANKLESS WATER HEATER IS AVAILABLE IN LIEU OF TANKED WATER HEATER.

- GYPSUM NOTES**
- AT GARAGE:  
GYPSUM BOARD AT COMMON WALLS, CEILINGS, BEAM WRAPS AND SUPPORTS PER STANDARD DETAIL FA-1(b) FIRE ASSEMBLIES OR AS REQUIRED BY LOCAL CODE.
- AT STAIRS:  
1/2" GYPSUM BOARD AT UNDERSIDE OF STAIRS AND WALLS IN CLOSET

DCY-YG-L565

COMMITTEE: VLGGS OF MINDING CREEK WARR CO - L565

STREET ADDRESS: 4482 WHISPERING STREAM CT

CITY: CENTERVILLE STATE: OH ZIP: 45458

PROJECT NO: 1094

DATE: 08/10/2017

OPTION: A-7

MODEL: ALLEGHENY

DRAWING TITLE: FIRST FLOOR PLAN

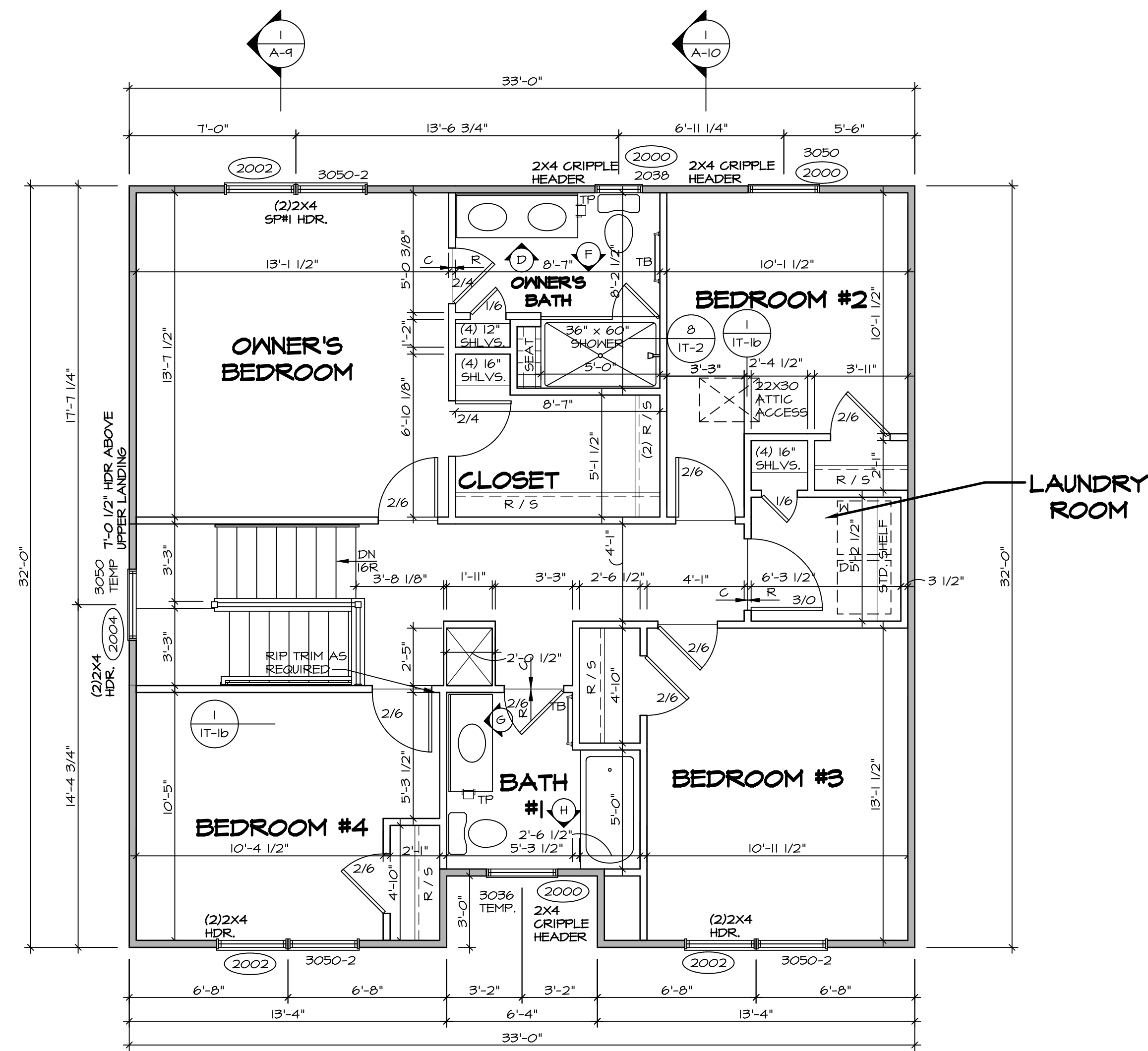
SHEET NO: A-7

28

© NVR, Inc. All rights reserved. No part of this drawing may be reproduced, stored in a retrieval system, or transmitted in any form or by any means, electronic, mechanical, photocopying, recording, or by any information storage and retrieval system, without the prior written permission of NVR, Inc.

NVR, Inc. 5285 Washington Blvd. Suite 100 Frederick, MD 21703

03/11/20 - 6:10 am



**SECOND FLOOR PLAN**  
SCALE: 1/4" = 1'-0"

**LEGEND**

	BEARING WALL
	NON BEARING WALL
	INDICATES BEARING FROM POINT-LOAD ABOVE
	JACKS
	BEAM/HEADER
	PAD FOOTING
	STEEL COLUMN
	PORTAL FRAME
	JOIST/TRUSS
	LVL
	ENGINEERING PAGE NUMBER

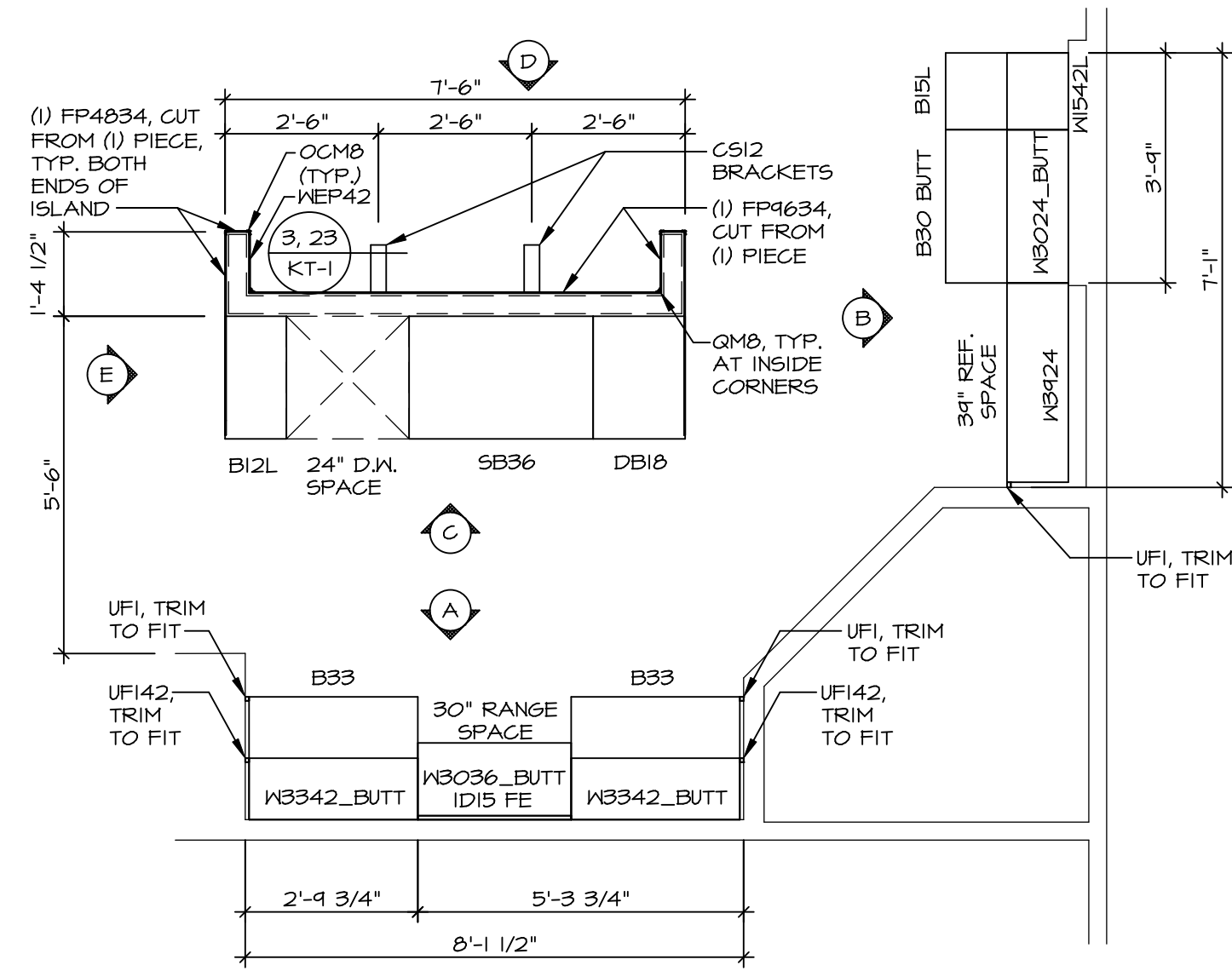
SEE FC DETAILS FOR FRAMING CONNECTORS

- FLOOR PLAN NOTES** RYAN
- ALL HEADERS ARE (2) 2x6 w/ 2x4 WALLS OR (3) 2x6 w/ 2x6 WALLS, UNLESS OTHERWISE NOTED.
  - ALL HEADERS TO HAVE (1) 2x4 OR 2x6 JACK AND KING STUD EACH END, UNLESS OTHERWISE NOTED.
  - ALL EXTERIOR WALLS TO BE 4" w/ OSB OR 3 1/2" w/ T-PLY, ALL INTERIOR WALLS TO BE 3 1/2", UNLESS OTHERWISE NOTED.
  - HATCHED AREAS INDICATE DROPPED CEILINGS. ALL DROPPED CEILINGS ARE 12" UNLESS OTHERWISE NOTED.
  - SEE "BRACED WALL PANEL DETAIL SHEET" FOR SPECIAL WALL FRAMING LOCATIONS AND HEADER SIZES, IF APPLICABLE.
  - SEE STANDARD DETAIL CATEGORY "1T" SHEET(S) FOR INTERIOR TRIM DETAILS.
  - SEE ARCHITECTURAL DETAIL SHEET "AD" FOR HOUSE SPECIFIC INTERIOR TRIM OPTION TABLE.
  - ALL WINDOWS HAVE 7'-0" 1/2" HEADER HEIGHT UNLESS OTHERWISE NOTED.
  - ALL HEADERS IN NON-BEARING WALLS SHALL BE A SINGLE FLAT 2x4 OR 2x6 ATTACHED TO CRIPPLES ABOVE, UNLESS OTHERWISE NOTED.
  - TANKED WATER HEATER SHOWN AS BASE CONDITION, OPTIONAL TANKLESS WATER HEATER IS AVAILABLE IN LIEU OF TANKED WATER HEATER.

- GYPSUM NOTES**
- AT GARAGE:  
GYPSUM BOARD AT COMMON WALLS, CEILINGS, BEAM WRAPS AND SUPPORTS PER STANDARD DETAIL FA-1(b) FIRE ASSEMBLIES OR AS REQUIRED BY LOCAL CODE.
- AT STAIRS:  
1/2" GYPSUM BOARD AT UNDERSIDE OF STAIRS AND WALLS IN CLOSET

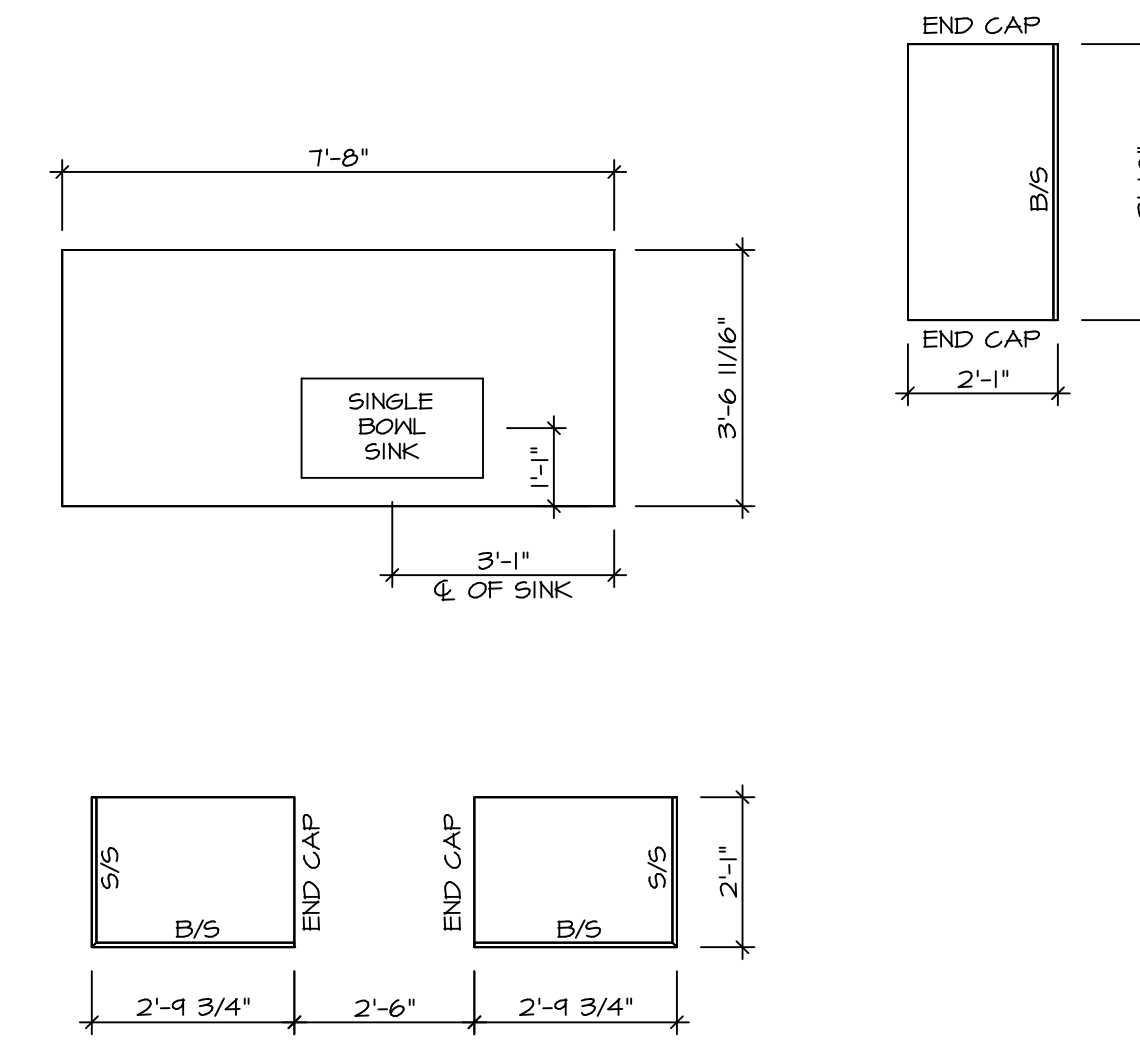
SHEET NO. <b>A-8</b>	MODEL <b>ALLEGHENY</b> DRAWING TITLE <b>SECOND FLOOR PLAN</b> OPTION DESCRIPTION <b>31</b>	SET NO. <b>ALGOO</b> VERSION <b>01</b> DRAWN BY <b>YON</b> DATE: <b>08/10/2017</b> OPTION	DIV-COMM-LOT-UNIT <b>DCY-VG-L565</b> COMM-LOT VILGES OF WINDING CREEK WARR CO - L565 STREET ADDRESS 4482 WHISPERING STREAM CT CITY STATE OH CENTERVILLE OH ZIP 45459
		NVR, Inc. Suite 100 5285 Washburn Rd Frederick, MD 21703	
© NVR, Inc. expressly reserves the right to modify these plans without notice. These plans are not to be reproduced, changed, or altered in any way without the written consent of NVR, Inc.			

- NOTES:**
- CABINET LAYOUT (S) ARE BASED ON FINISHED DIMENSIONS TO DRYWALL.
  - IF KITCHEN PLANS/ELEVATIONS CALL-OUT STANDARD MOLDING, REFER TO STANDARD DETAIL (I)KT-1 FOR REPLACEMENT BASED ON CABINET STYLE.
  - ALL (U#) FILLERS ARE TO BE "TRIM TO FIT" UNLESS OTHERWISE NOTED.
  - CABINET MUST BE SET, SHIMMED, LEVELED AND PLUMB W/ ADJOINING BASE CABINETS.
  - SET PRE-FINISHED SCRIBE MOLDING AT CABINET BULKHEADS AND AT ENDS (WHERE CABINETS MEET DRYWALL). PRE-FINISHED SCRIBE MOLDING SHALL BE USED TO PAD OUT CABINET SIDES AT STILE FOR RETURN PIECES OF THE FACE-MOUNTED CABINET CROWN MOLDING.
  - HARDWARE INSTALL NOTE: KNOBS GO ON DOORS AND DRAWERS FOR ALL AREAS, ALL DRAWER FRONTS AND DOORS GET (I) KNOB/PULL. NO HARDWARE ON FALSE DRAWER FRONTS.



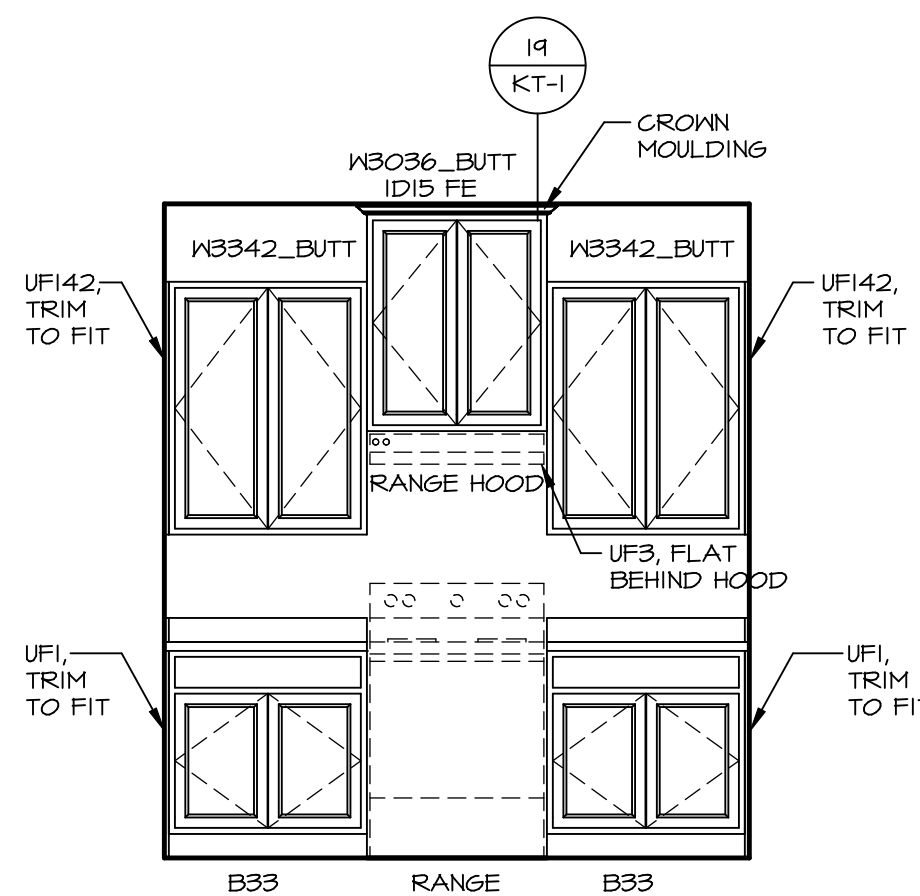
**KITCHEN CABINET  
PLAN KC - 3489**

1  
A-12 SCALE: 3/8" = 1'-0"

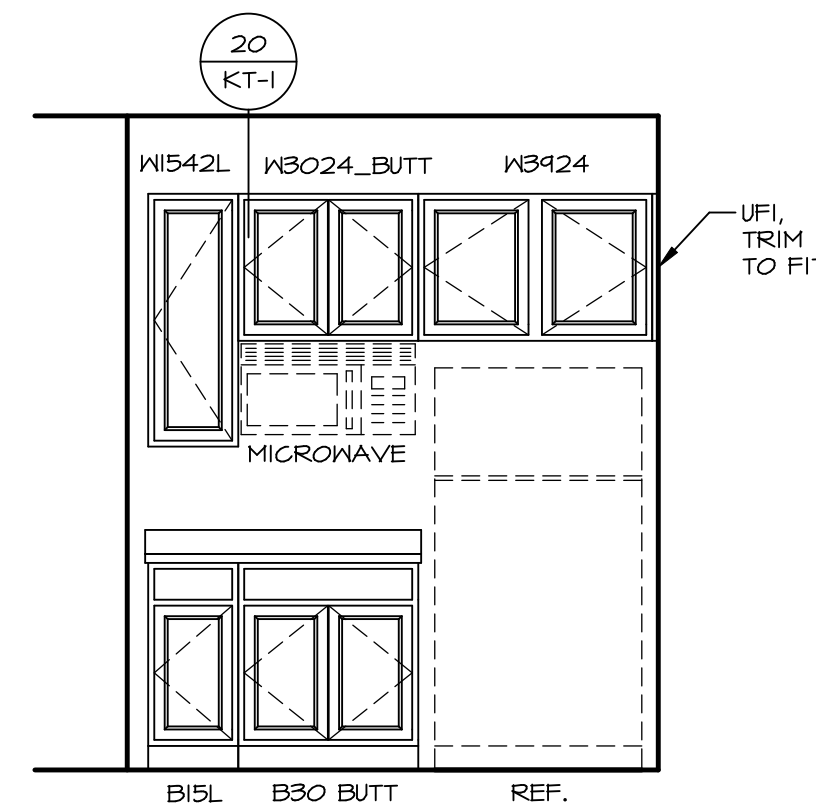


**KITCHEN COUNTERTOP  
PLAN KC - 3489**

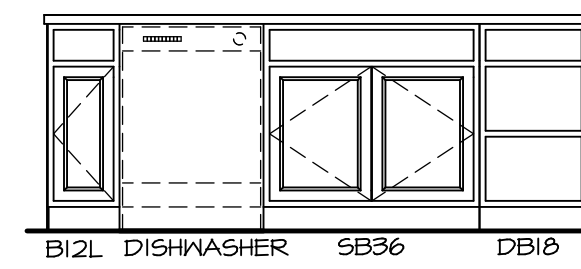
2  
A-12 SCALE: 3/8" = 1'-0"



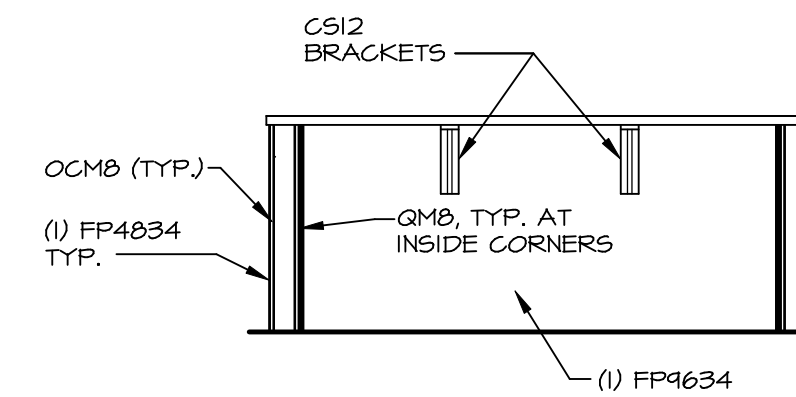
**A ELEVATION "A"**  
SCALE: 3/8" = 1'-0"



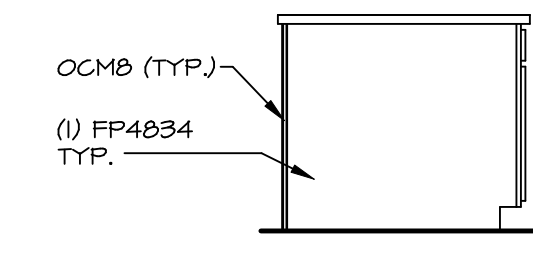
**B ELEVATION "B"**  
SCALE: 3/8" = 1'-0"



**C ELEVATION "C"**  
SCALE: 3/8" = 1'-0"



**D ELEVATION "D"**  
SCALE: 3/8" = 1'-0"



**E ELEVATION "E"**  
SCALE: 3/8" = 1'-0"

© NVR, Inc. expressly reserves the right to modify or change these plans without notice. These plans are not to be reproduced, changed or altered in any way without the written consent of NVR, Inc.

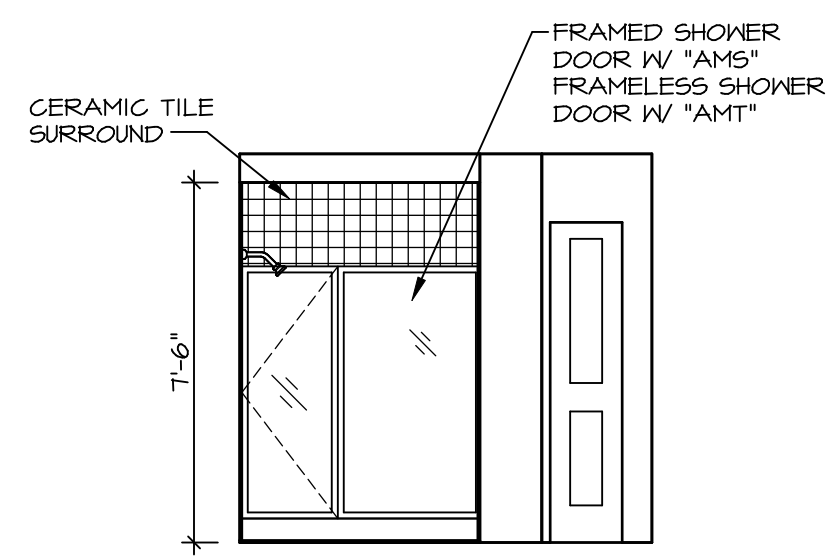


SET NO. ALGOO  
VERSION 01  
DRAWN BY KDH  
DATE: 8/3/17  
OPTION

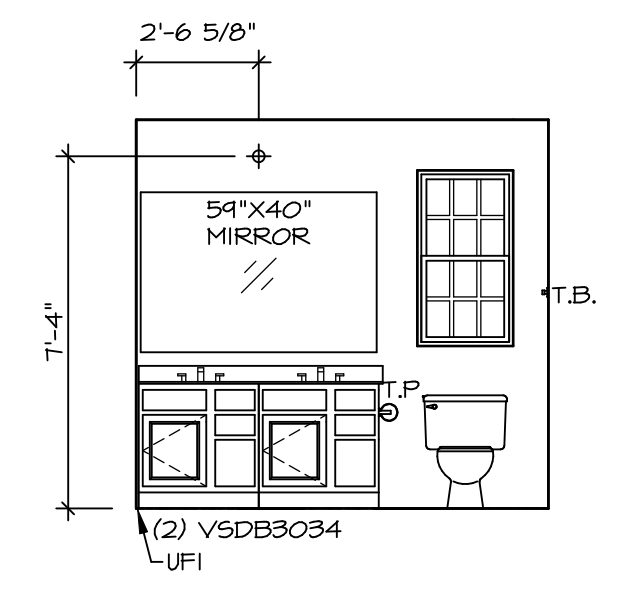
MODEL: ALLEGHENY  
DRAWING TITLE: KITCHEN PLANS  
OPTION DESCRIPTION

SHEET NO. A-12  
43

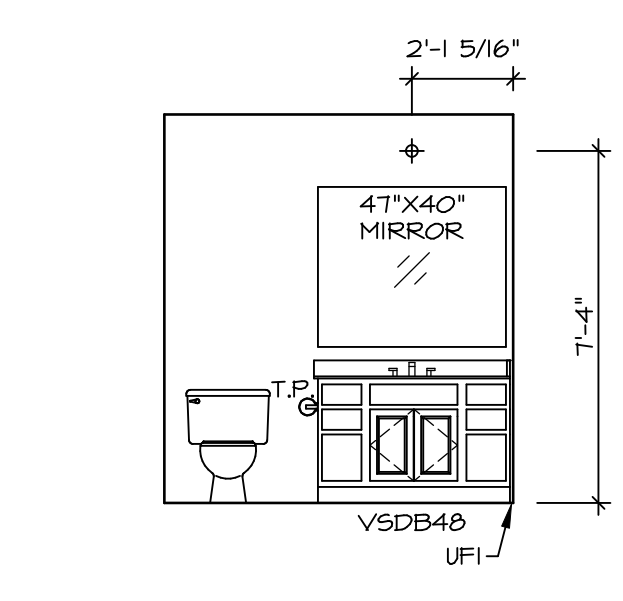
DIV-COMM-LOT-UNIT: DCY-VG-L565  
COMM-LOT: VLG6 OF WINDING CREEK WARR CO - L665  
STREET ADDRESS: 4482 WHISPERING STREAM CT  
CITY: CENTERVILLE STATE: OH ZIP: 45456



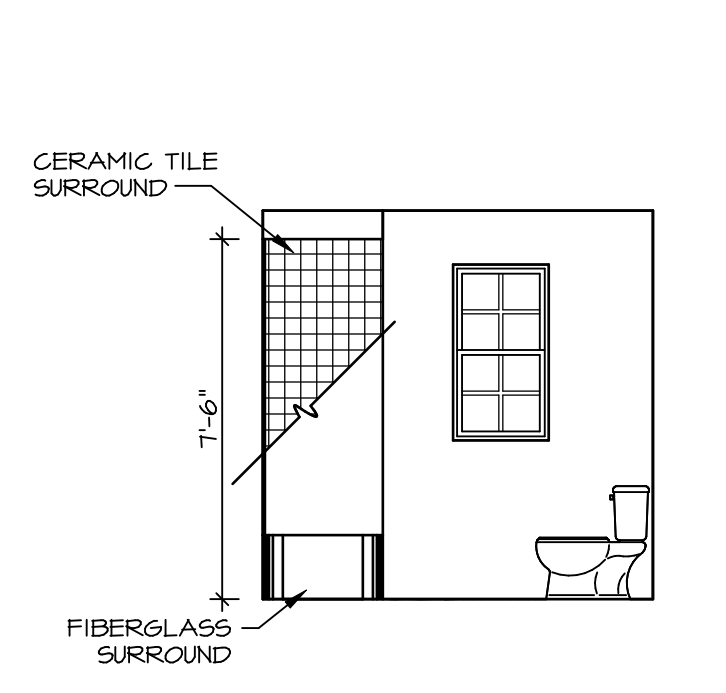
**F** OWNER'S BATH  
SCALE: 1/4" = 1'-0"



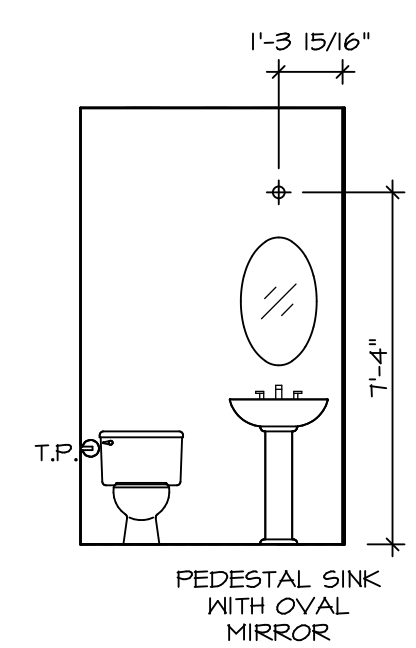
**D** OWNER'S BATH  
SCALE: 1/4" = 1'-0"



**G** BATH #1  
SCALE: 1/4" = 1'-0"



**H** BATH #1  
SCALE: 1/4" = 1'-0"



**C** POWDER ROOM  
SCALE: 1/4" = 1'-0"

- NOTES:**
1. TEMPERED GLASS SHOWER ENCLOSURE WITH SWING DOOR OR OPTIONAL SLIDING DOOR BY DIVISION
  2. TUB ACCESS PANELS PROVIDED AS NEEDED, ALL MATERIALS BY DIVISION
  3. REFER TO SHEET IT-2 FOR TUB AND SHOWER DETAILS.
  4. ALL V5DB24-42 DRAWERS TO BE SET ON RIGHT HAND.
  5. ALL BATH ELEVATIONS ARE SHOWN PER PLAN.

SHEET NO.	MODEL	SET NO.	VERSION	DATE	OPTION
A-13	ALLEGHENY DRAWING TITLE BATH ELEVATIONS	ALGOO 01	01	4/8/17	
44					

**NVR**  
NVR, Inc. Suite 100  
5285 Westgate, Frederick, MD 21703

© NVR, Inc. expressly reserves the right to modify or amend these plans at any time without notice. These plans are not to be reproduced, changed or altered in any way without the written consent of NVR, Inc.

DIV-COMM-LOT-UNIT	
DCY-VG-L565	
COMM-LOT	YLG6 OF WINDING CREEK WARR CO - L565
STREET ADDRESS	4482 WHISPERING STREAM CT
CITY	CENTERVILLE
STATE	OH
ZIP	45459
APT. NO.	1034