

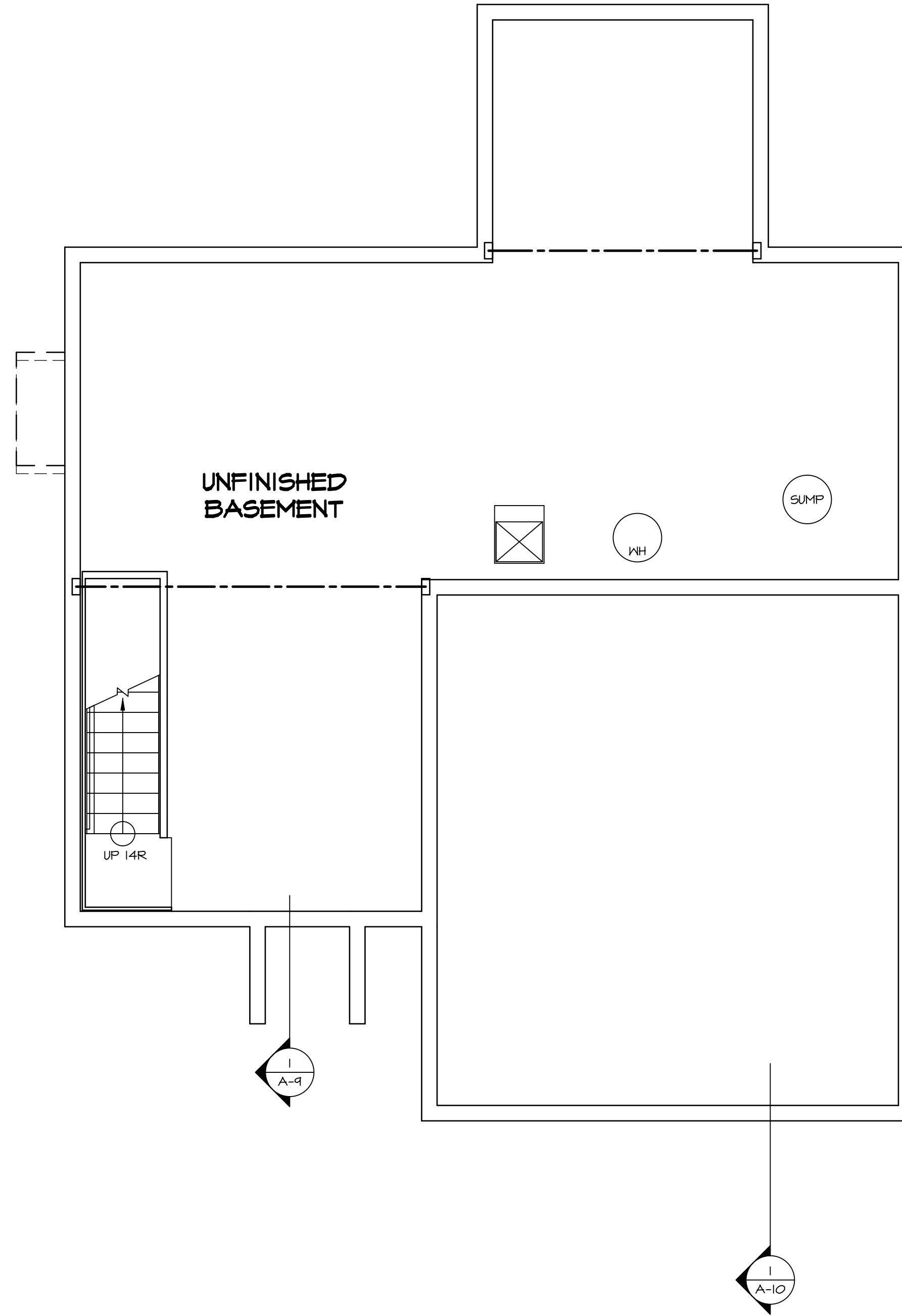
PLUMBING PLAN
 SCALE: 1/4" = 1'-0"

SHEET NO. A-5	MODEL SIENNA	SET NO. SIECO VERSION 05
	DRAWING TITLE PLUMBING PLAN	DRAWN BY
	OPTION DESCRIPTION	DATE: 2/2/2015
20		OPTION

NVR
 NVR, Inc.
 5285 Westpark Drive, Suite 100
 Frederick, MD 21703

© NVR, Inc. expressly reserves the right to modify these plans without notice. No part of these plans may be reproduced, stored in a retrieval system, or transmitted in any form or by any means, electronic, mechanical, photocopying, recording, or by any information storage and retrieval system, without the prior written consent of NVR, Inc.

REV. NO.	DATE	REMARKS



1
A-6 **BASEMENT FLOOR PLAN**
SCALE: 1/4" = 1'-0"

LEGEND

	BEARING WALL
	NON BEARING WALL
	INDICATES BEARING FROM POINT-LOAD ABOVE
	JACKS
	BEAM/HEADER
	PAD FOOTING
	STEEL COLUMN
	PORTAL FRAME
	JOIST/TRUSS
	LVL
	ENGINEERING PAGE NUMBER

SEE FC DETAILS FOR FRAMING CONNECTORS

- FLOOR PLAN NOTES**
1. ALL HEADERS ARE (2) 2x6 w/ 2x4 WALLS OR (3) 2x6 w/ 2x6 WALLS, UNLESS OTHERWISE NOTED.
 2. ALL HEADERS TO HAVE (1) 2x4 OR 2x6 JACK EACH END, UNLESS OTHERWISE NOTED.
 3. ALL EXTERIOR WALLS TO BE 4" AND ALL INTERIOR WALLS TO BE 3 1/2", UNLESS OTHERWISE NOTED.
 4. HATCHED AREAS INDICATE DROPPED CEILING. ALL DROPPED CEILING ARE 12" UNLESS OTHERWISE NOTED.
 5. SEE "BRACED WALL PANEL DETAIL SHEET" FOR SPECIAL WALL FRAMING LOCATIONS AND HEADER SIZES, IF APPLICABLE.
 6. SEE STANDARD DETAIL CATEGORY "IT" SHEET(S) FOR INTERIOR TRIM DETAILS.
 7. SEE ARCHITECTURAL DETAIL SHEET "AD" FOR HOUSE SPECIFIC INTERIOR TRIM OPTION TABLE.
 8. ALL WINDOWS HAVE T-O 1/2" HEADER HEIGHT UNLESS OTHERWISE NOTED.

GYPSUM NOTES

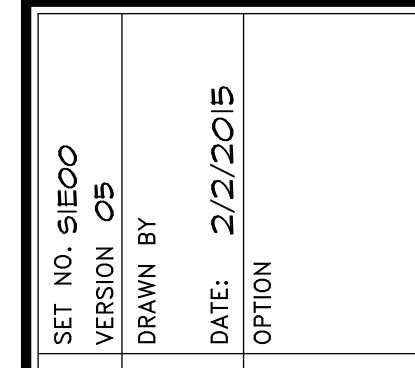
AT GARAGE:
GYPSUM BOARD AT COMMON WALLS, CEILING, BEAM WRAPS AND SUPPORTS PER STANDARD DETAIL FA-1(b) FIRE ASSEMBLIES OR AS REQUIRED BY LOCAL CODE.

AT STAIRS:
1/2" GYPSUM BOARD AT UNDERSIDE OF STAIRS AND WALLS IN CLOSET

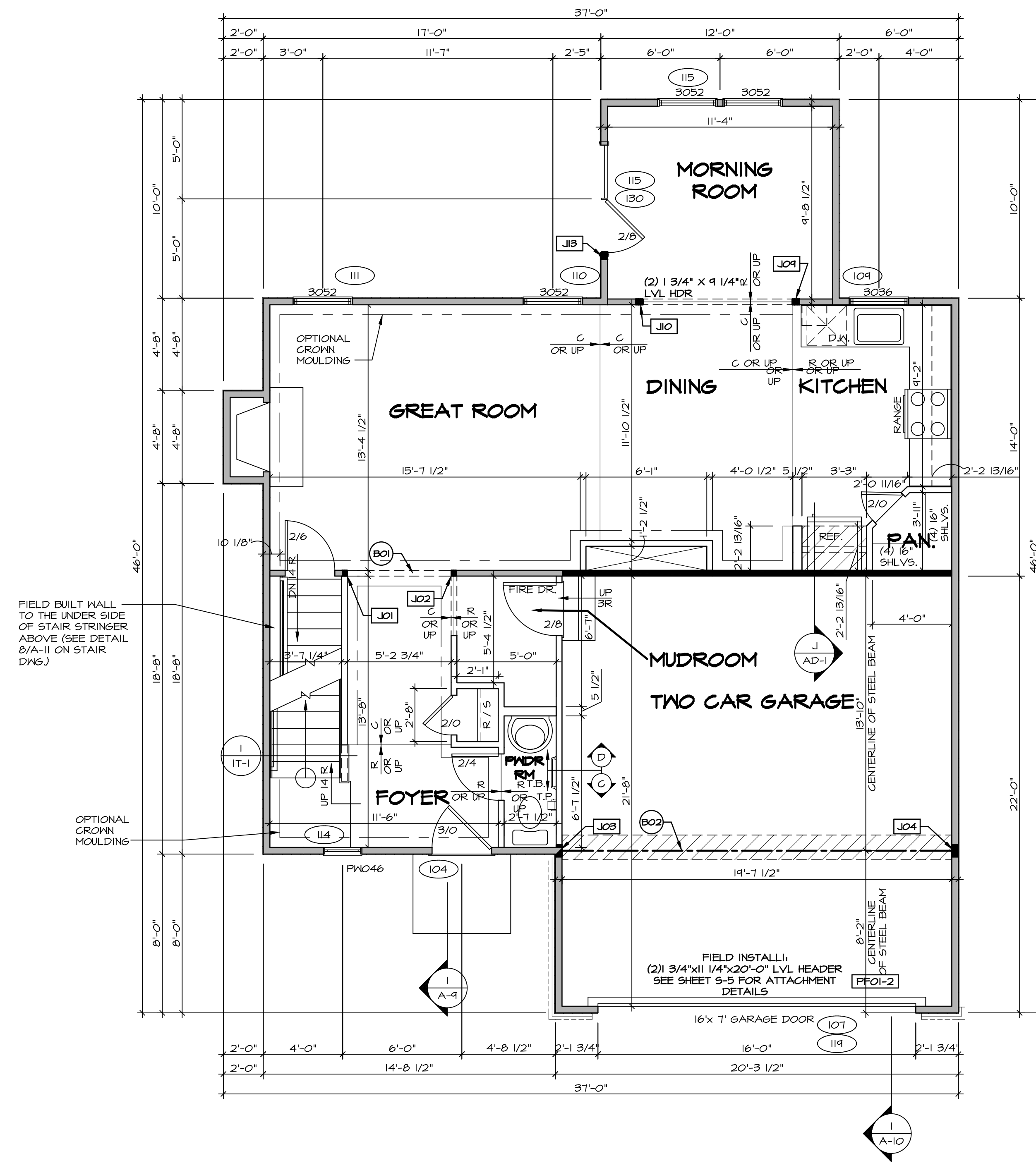
REMARKS

REV. NO.	DATE	DESCRIPTION
1	08/05/16	NL - DRAWING ALIGNMENT

© NVR, Inc. All rights reserved. No part of this drawing may be reproduced, stored in a retrieval system, or transmitted in any form or by any means, electronic, mechanical, photocopying, recording, or by any information storage and retrieval system, without the prior written permission of NVR, Inc.



MODEL	SIENNA
DRAWING TITLE	BASEMENT FLOOR PLAN
OPTION DESCRIPTION	
SHEET NO.	A-6
SET NO.	SIECO
VERSION	05
DRAWN BY	
DATE	2/2/2015
OPTION	
SHEET NO.	23



FIRST FLOOR PLAN
 SCALE: 1/4" = 1'-0"

LEGEND

- BEARING WALL
- NON BEARING WALL
- JACKS
- BEAM/HEADER
- PAD FOOTING
- STEEL COLUMN
- PORTAL FRAME
- JOIST/TRUSS
- LVL
- ENGINEERING PAGE NUMBER

SEE FC DETAILS FOR FRAMING CONNECTORS

- FLOOR PLAN NOTES**
- ALL HEADERS ARE (2) 2x6 w/ 2x4 WALLS OR (3) 2x6 w/ 2x6 WALLS, UNLESS OTHERWISE NOTED.
 - ALL HEADERS TO HAVE (1) 2x4 OR 2x6 JACK AND KING STUD EACH END, UNLESS OTHERWISE NOTED.
 - ALL EXTERIOR WALLS TO BE 4" w/ OSB OR 3 1/2" w/ T-PLY. ALL INTERIOR WALLS TO BE 3 1/2", UNLESS OTHERWISE NOTED.
 - HATCHED AREAS INDICATE DROPPED CEILINGS. ALL DROPPED CEILINGS ARE 12' UNLESS OTHERWISE NOTED.
 - SEE 'BRACED WALL PANEL DETAIL SHEET' FOR SPECIAL WALL FRAMING LOCATIONS AND HEADER SIZES, IF APPLICABLE.
 - SEE STANDARD DETAIL CATEGORY '11" SHEET(S) FOR INTERIOR TRIM DETAILS.
 - SEE ARCHITECTURAL DETAIL SHEET 'AD' FOR HOUSE SPECIFIC INTERIOR TRIM OPTION TABLE.
 - ALL WINDOWS HAVE 1'-0 1/2" HEADER HEIGHT UNLESS OTHERWISE NOTED.
 - ALL HEADERS IN NON-BEARING WALLS SHALL BE A SINGLE FLAT 2x4 OR 2x6 ATTACHED TO GRIPPLERS ABOVE, UNLESS OTHERWISE NOTED.

- GYPSUM NOTES**
- AT GARAGE:
 GYPSUM BOARD AT COMMON WALLS, CEILINGS, BEAM WRAPS AND SUPPORTS PER STANDARD DETAIL FA-1(b) FIRE ASSEMBLIES OR AS REQUIRED BY LOCAL CODE.
- AT STAIRS:
 1/2" GYPSUM BOARD AT UNDERSIDE OF STAIRS AND WALLS IN CLOSET

FIRST FLOOR JACK SCHEDULE

IDENTIFIER	DESCRIPTION	OPTIONS	ENG. NUM.	FIELD INSTALLED
J01	JACK - (2) 2X4 SFF STUD GRADE		103	
J02	JACK - (2) 2X4 SFF STUD GRADE		103	
J03	JACK - (5) 2X4 SFF#1	GCB / GCC	105	
J04	JACK - (5) 2X4 SFF#1	GCB / GCC	105	
J04	JACK - (3) 2X4 SFF STUD GRADE	MAA	103	
J10	JACK - (3) 2X4 SFF STUD GRADE	MAA	103	
J13	JACK - (3) 2X4 SFF STUD GRADE	MAA / SRW	116	

- LVL PLY TO PLY FASTENING SCHEDULE:**
- 1.A - (2) PLY UP TO AND INCLUDING 11 7/8" TALL; FASTEN PLYS W/ (2) ROWS 16D NAILS AT 12" O.C.
 - 2.A - (2) PLY 14" TO AND 18" TALL (INCLUSIVE); FASTEN PLYS W/ (3) ROWS 16D NAILS AT 12" O.C.
 - 3.A - (2) PLY 20" TALL AND OVER; FASTEN PLYS W/ (4) ROWS 16D NAILS AT 12" O.C.
 - 4.A - (3) PLY UP TO AND INCLUDING 11 7/8" TALL; FASTEN PLYS W/ (2) ROWS 16D NAILS AT 12" O.C. FROM EACH SIDE
 - 5.A - (3) PLY 14" TO AND 18" TALL (INCLUSIVE); FASTEN PLYS W/ (3) ROWS 16D NAILS AT 12" O.C. FROM EACH SIDE
 - 6.A - (3) PLY 20" TALL AND OVER; FASTEN PLYS W/ (4) ROWS 16D NAILS AT 12" O.C. FROM EACH SIDE

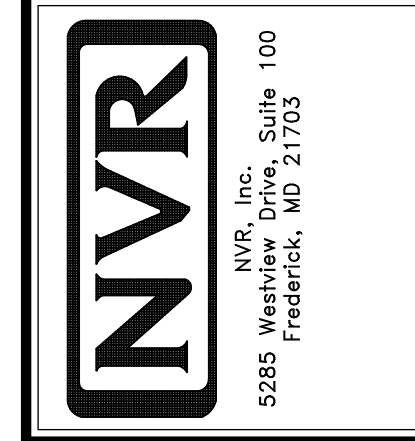
FIELD INSTALLED FIRST FLOOR BEAM/HEADER SCHEDULE

IDENTIFIER	DESCRIPTION	LENGTH	OPTIONS	ENG. NUM.	REMARKS
B01	INT HEADER - 2X8 - 2 PLY	5'-8 3/4"		103	
B02	BEAM STEEL - W12X26	20'-2"	SRI / SXS / FBA / FCA	105	
FF01-2	LVL - 11-04	20'-0"	GCB	119	PORTAL FRAME, 2 PLY, 1.A

REMARKS

REV. NO.	DATE	DESCRIPTION
1	08/05/16	N.L. - DRAWING ALIGNMENT
2	7/7/17	DRH - T-PLY CONVERSION

© NVR, Inc. All rights reserved. No part of this drawing may be reproduced, stored in a retrieval system, or transmitted in any form or by any means, electronic, mechanical, photocopying, recording, or by any information storage and retrieval system, without the prior written permission of NVR, Inc.



SET NO. SIECO
 VERSION 05
 DRAWN BY
 DATE: 2/2/2015
 OPTION

MODEL: SIENNA
 DRAWING TITLE: FIRST FLOOR PLAN
 OPTION DESCRIPTION

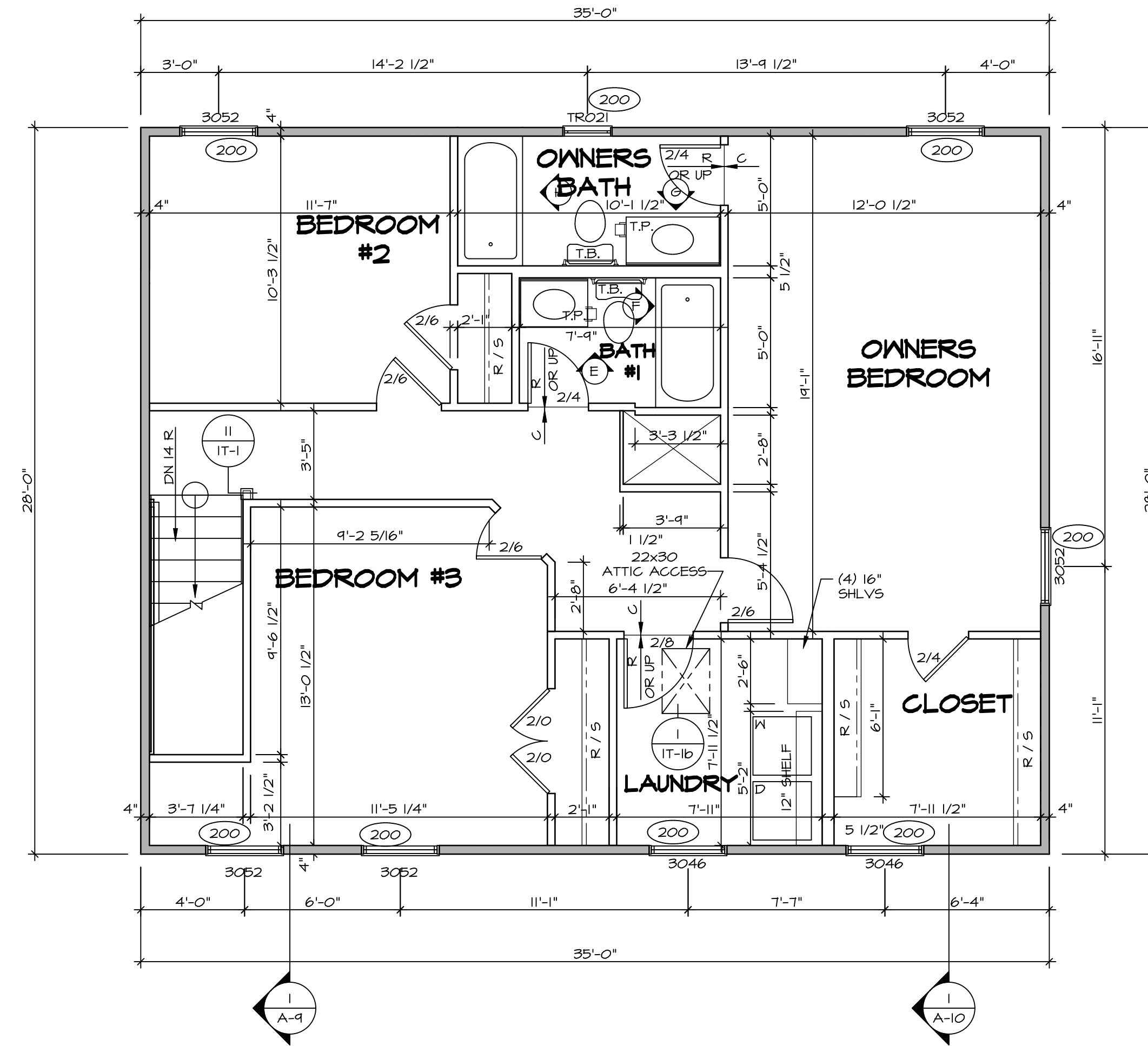
LEGEND

	BEARING WALL
	NON BEARING WALL
	INDICATES BEARING FROM POINT-LOAD ABOVE
	JACKS
	BEAM/HEADER
	PAD FOOTING
	STEEL COLUMN
	PORTAL FRAME
	JOIST/TRUSS
	LVL
	ENGINEERING PAGE NUMBER

SEE FC DETAILS FOR FRAMING CONNECTORS

FLOOR PLAN NOTES

- ALL HEADERS ARE (2) 2x6 w/ 2x4 WALLS OR (3) 2x6 w/ 2x6 WALLS, UNLESS OTHERWISE NOTED.
- ALL HEADERS TO HAVE (1) 2x4 OR 2x6 JACK AND KING STUD EACH END, UNLESS OTHERWISE NOTED.
- ALL EXTERIOR WALLS TO BE 4" w/ OSB OR 3 1/2" w/ T-PLY, ALL INTERIOR WALLS TO BE 3 1/2", UNLESS OTHERWISE NOTED.
- HATCHED AREAS INDICATE DROPPED CEILINGS. ALL DROPPED CEILINGS ARE 12" UNLESS OTHERWISE NOTED.
- SEE "BRACED WALL PANEL DETAIL SHEET" FOR SPECIAL WALL FRAMING LOCATIONS AND HEADER SIZES, IF APPLICABLE.
- SEE STANDARD DETAIL CATEGORY "IT" SHEET(S) FOR INTERIOR TRIM DETAILS.
- SEE ARCHITECTURAL DETAIL SHEET "AD" FOR HOUSE SPECIFIC INTERIOR TRIM OPTION TABLE.
- ALL WINDOWS HAVE 7'-0 1/2" HEADER HEIGHT UNLESS OTHERWISE NOTED.
- ALL HEADERS IN NON-BEARING WALLS SHALL BE A SINGLE FLAT 2X4 OR 2X6 ATTACHED TO CRIPPLES ABOVE, UNLESS OTHERWISE NOTED.



SECOND FLOOR PLAN
SCALE: 1/4" = 1'-0"

REMARKS

REV. NO.	DATE	DESCRIPTION
1	08/05/16	N.L. - DRAWING ALIGNMENT
2	7/7/17	DRH - T-PLY CONVERSION

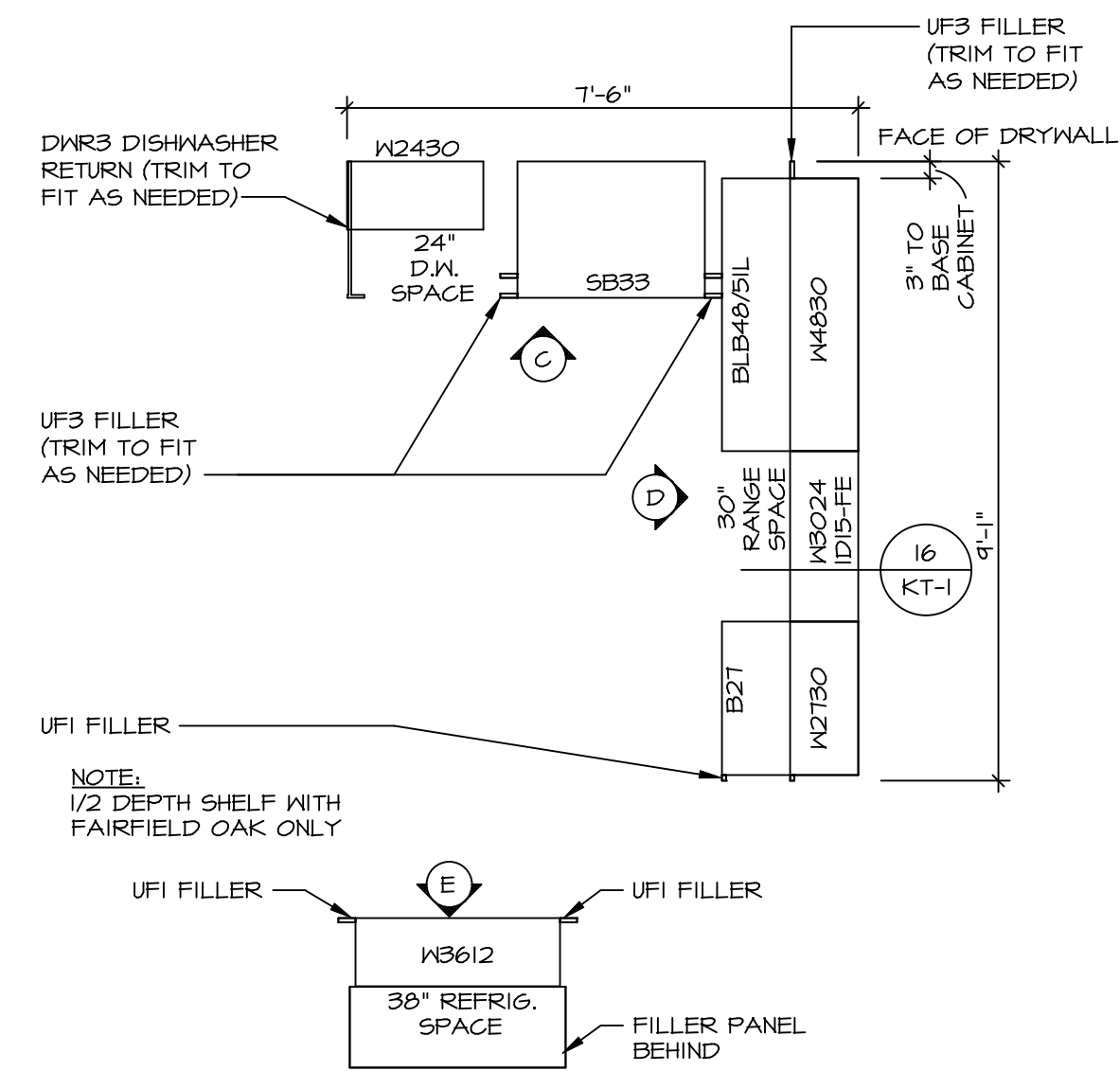
© NVR, Inc. expressly reserves the right to modify or alter these plans without notice. These plans are not to be reproduced, changed or altered in any way without the written consent of NVR, Inc.



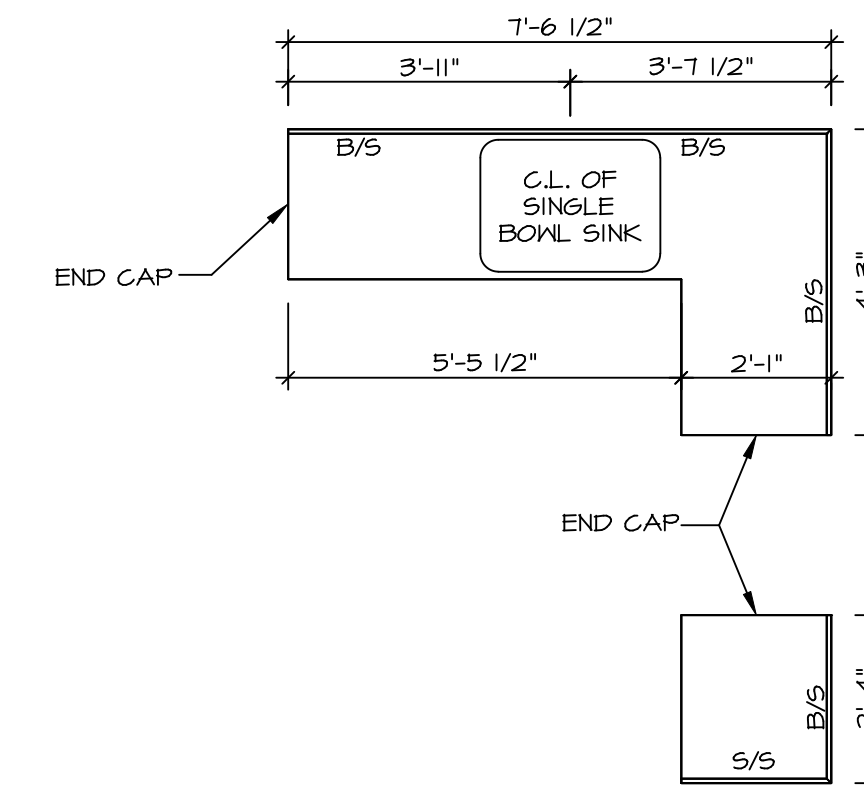
NVR, Inc. Suite 100
5285 Washburne Rd.
Frederick, MD 21703

MODEL	SIENNA
DRAWING TITLE	SECOND FLOOR PLAN
OPTION DESCRIPTION	

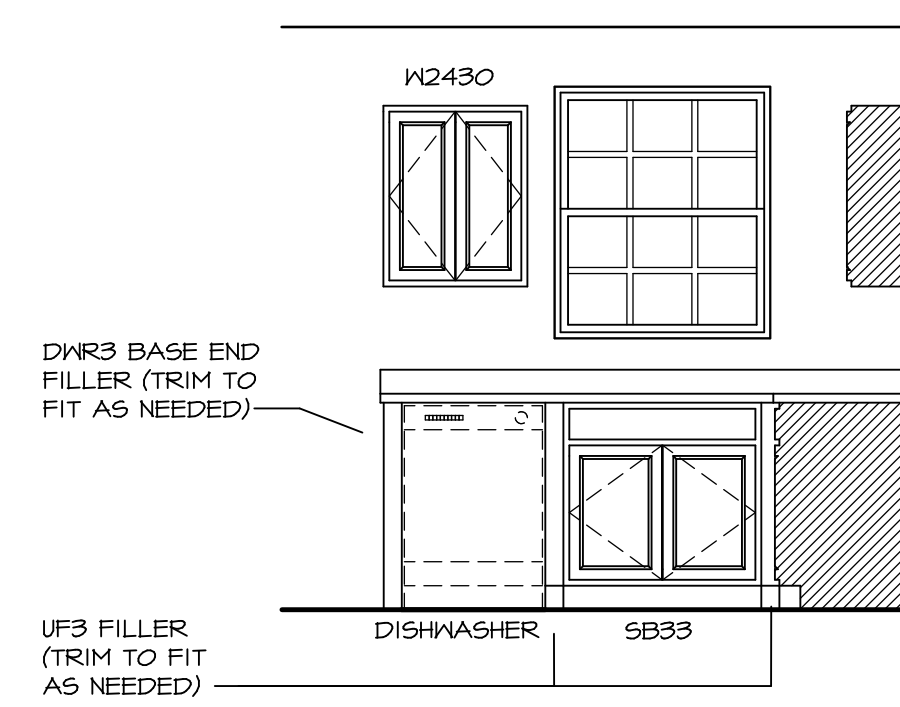
SHEET NO. **A-8**
26



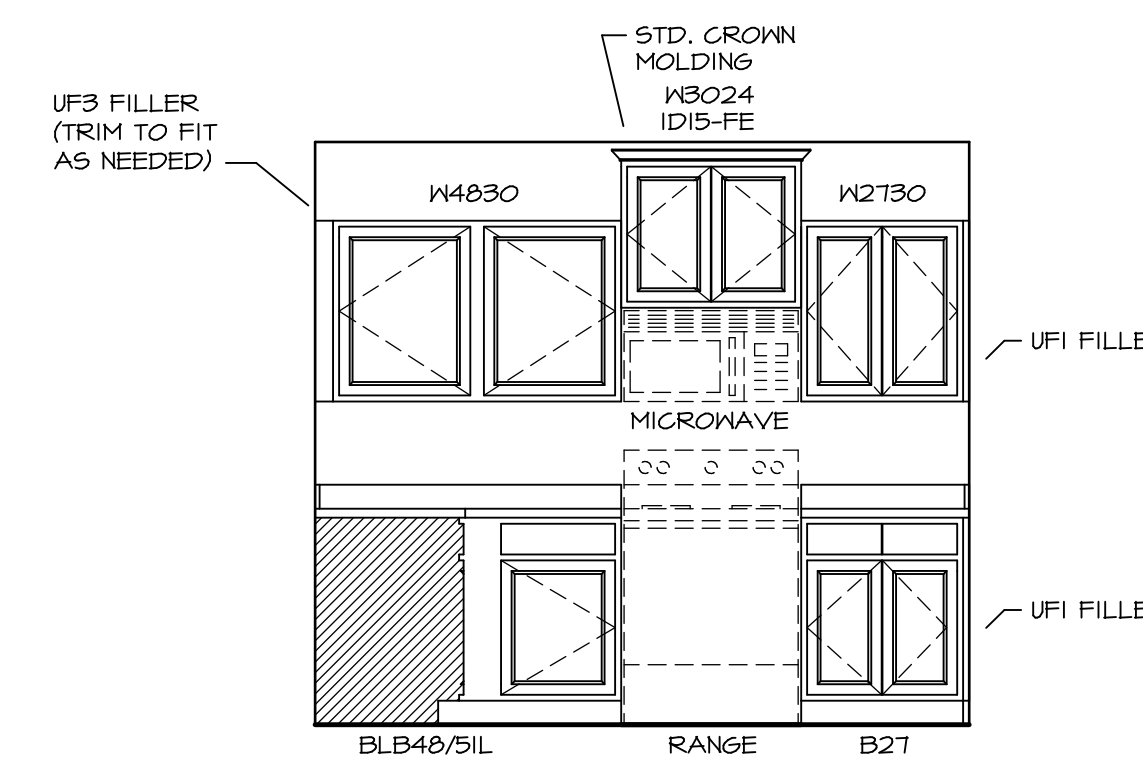
1 CABINET PLAN - KC-1924
 SCALE: 3/8" = 1'-0" STANDARD KITCHEN W/ 30" WALL CABINETS



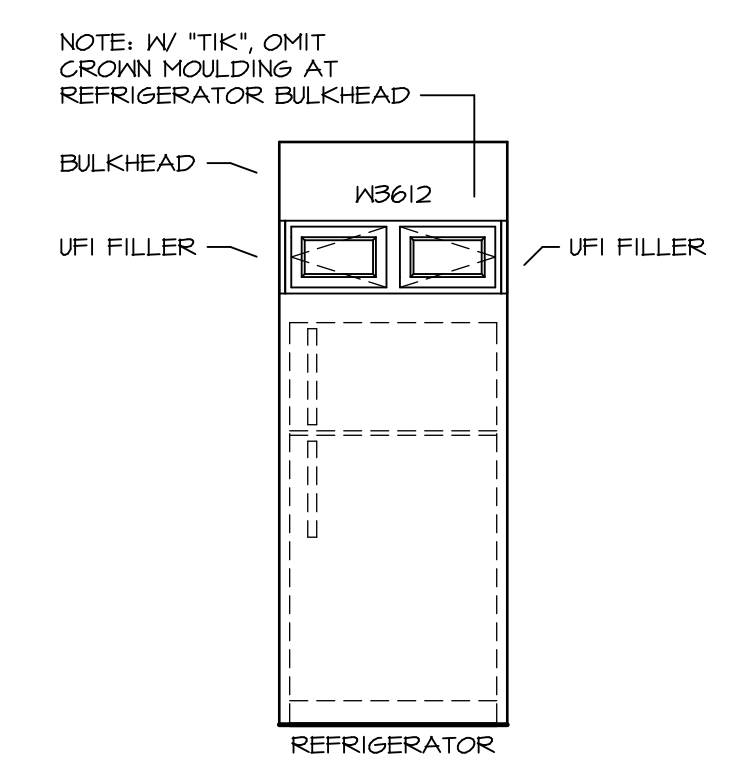
3 COUNTERTOP PLAN - KT-1924
 SCALE: 3/8" = 1'-0" STANDARD KITCHEN W/ 30" WALL CABINETS



C KITCHEN ELEVATION
 SCALE: 3/8" = 1'-0"

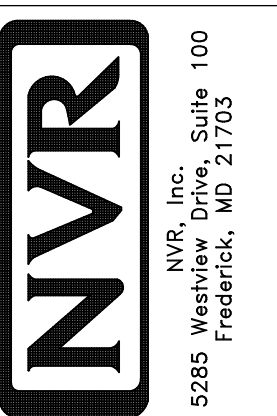


D KITCHEN ELEVATION
 SCALE: 3/8" = 1'-0"



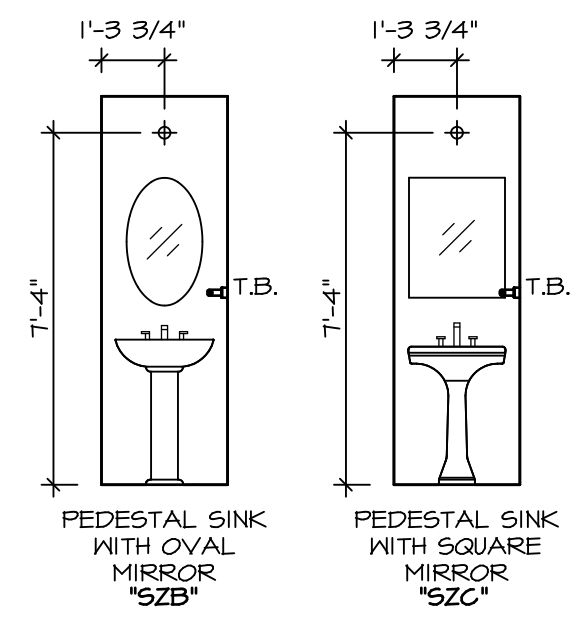
E KITCHEN ELEVATION
 SCALE: 3/8" = 1'-0"

© NVR, Inc. expressly reserves the right to modify or change any of the information contained in these plans. These plans are not to be reproduced, changed or altered in any way without the written consent of NVR, Inc.

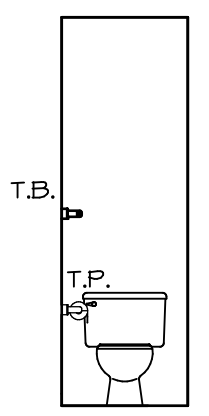


SET NO. SIECO
 VERSION 05
 DRAWN BY
 DATE: 2/2/2015
 OPTION

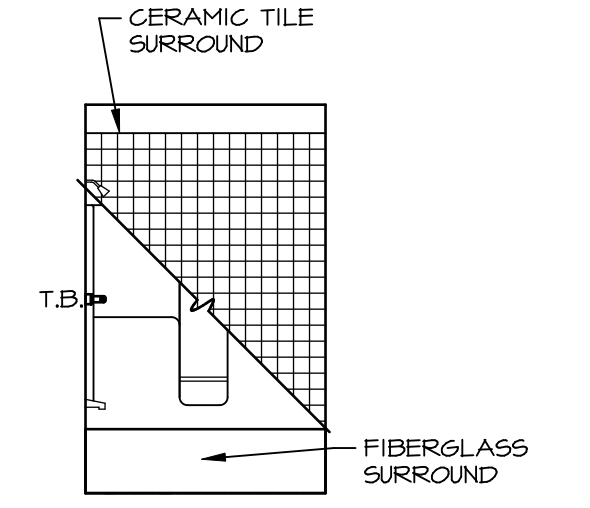
SHEET NO. **A-12**
 MODEL **SIENNA**
 DRAWING TITLE **KITCHENS**
 OPTION DESCRIPTION



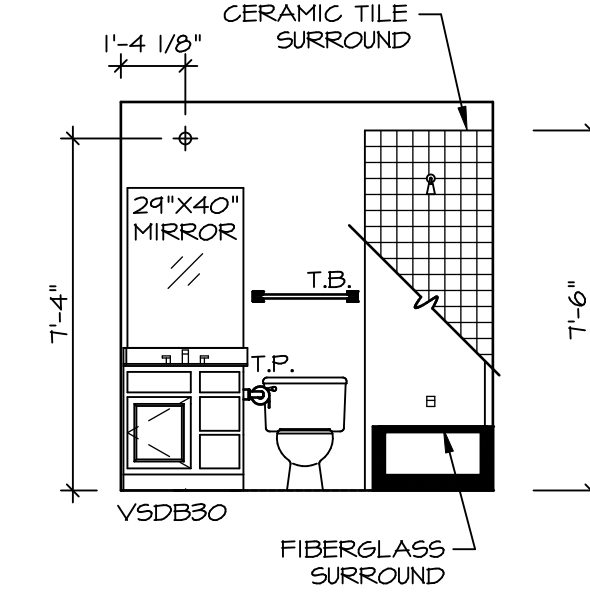
D POWDER ROOM
SCALE: 1/4" = 1'-0"



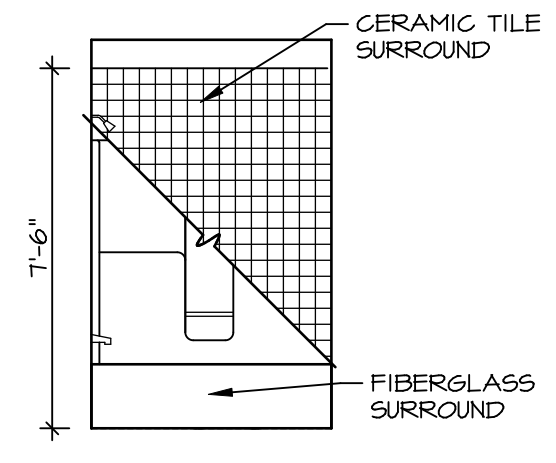
C POWDER ROOM
SCALE: 1/4" = 1'-0"



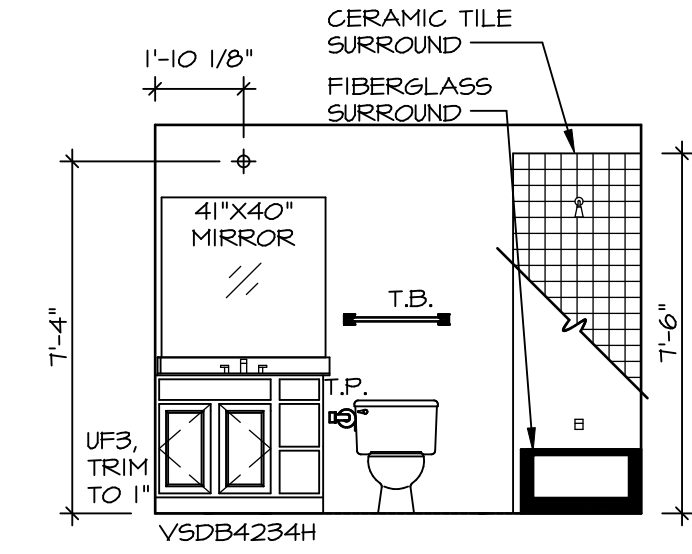
F BATH #1
SCALE: 1/4" = 1'-0"



E BATH #1
SCALE: 1/4" = 1'-0"



H OWNER'S BATH (AMB)
SCALE: 1/4" = 1'-0"



G OWNER'S BATH (AMB)
SCALE: 1/4" = 1'-0"

NOTES:

1. TEMPERED GLASS SHOWER ENCLOSURE WITH SWING DOOR OR OPTIONAL SLIDING DOOR BY DIVISION
2. TUB ACCESS PANELS PROVIDED AS NEEDED, ALL MATERIALS BY DIVISION
3. REFER TO SHEET D-II FOR TUB AND SHOWER DETAILS.
4. ALL VSD824-42 DRAWERS TO BE SET ON RIGHT HAND.
5. BATH ELEVATIONS ARE SHOWN PER PLAN.

SHEET NO. A-13	MODEL SIENNA	SET NO. SIECO	REVISIONS	REV. NO.	DATE	DATE	REMARKS
		VERSION 05	DRAWN BY CSB				
DRAWING TITLE BATH ELEVATIONS		DATE: 4/2/15	OPTION				
OPTION DESCRIPTION							
33							

© NVR, Inc. expressly reserves the right to modify or change these plans without notice. These plans are not to be reproduced, changed or altered in any way without the written consent of NVR, Inc.

