

FIRST FLOOR PLAN
SCALE: 1/4" = 1'-0"

LEGEND

- BEARING WALL
- NON BEARING WALL
- INDICATES BEARING FROM POINT-LOAD ABOVE
- JACKS
- BEAM/HEADER
- PAD FOOTING
- STEEL COLUMN
- PORTAL FRAME
- JOIST/TRUSS
- LVL
- ENGINEERING PAGE NUMBER

SEE FC DETAILS FOR FRAMING CONNECTORS

- FLOOR PLAN NOTES**
- ALL HEADERS ARE (2) 2x6 w/ 2x4 WALLS OR (3) 2x6 w/ 2x6 WALLS, UNLESS OTHERWISE NOTED.
 - ALL HEADERS TO HAVE (1) 2x4 OR 2x6 JACK AND KING STUD EACH END, UNLESS OTHERWISE NOTED.
 - ALL EXTERIOR WALLS TO BE 4" w/ OSB OR 3 1/2" w/ T-PLY, ALL INTERIOR WALLS TO BE 3 1/2", UNLESS OTHERWISE NOTED.
 - HATCHED AREAS INDICATE DROPPED CEILING. ALL DROPPED CEILING ARE 12" UNLESS OTHERWISE NOTED.
 - SEE "BRACED WALL PANEL DETAIL SHEET" FOR SPECIAL WALL FRAMING LOCATIONS AND HEADER SIZES, IF APPLICABLE.
 - SEE STANDARD DETAIL CATEGORY "IT" SHEET(S) FOR INTERIOR TRIM DETAILS.
 - SEE ARCHITECTURAL DETAIL SHEET "AD" FOR HOUSE SPECIFIC INTERIOR TRIM OPTION TABLE.
 - ALL WINDOWS HAVE T-O 1/2" HEADER HEIGHT UNLESS OTHERWISE NOTED.
 - ALL HEADERS IN NON-BEARING WALLS SHALL BE A SINGLE FLAT 2x4 OR 2x6 ATTACHED TO CRIPPLES ABOVE, UNLESS OTHERWISE NOTED.
 - TANKED WATER HEATER SHOWN AS BASE CONDITION, OPTIONAL TANKLESS WATER HEATER IS AVAILABLE IN LIEU OF TANKED WATER HEATER.

GYPSUM NOTES

AT GARAGE:
GYPSUM BOARD AT COMMON WALLS, CEILING, BEAM WRAPS AND SUPPORTS PER STANDARD DETAIL FA-1(b) FIRE ASSEMBLIES OR AS REQUIRED BY LOCAL CODE.

AT STAIRS:
1/2" GYPSUM BOARD AT UNDERSIDE OF STAIRS AND WALLS IN CLOSET

NOTE:
EXTERIOR WALLS DRAIN TO FRAMING WIDTH, EXTERIOR SHEATHING IS NOT INCLUDED IN WALL THICKNESS.

LVL PLY TO PLY FASTENING SCHEDULE: (WHERE APPLICABLE BASED ON LVL USAGE)

- (2) PLY UP TO AND INCLUDING 11 7/8" TALL; FASTEN PLYS w/ (2) ROWS 16D NAILS AT 12" O.C. OR ALT 1 1/2" WIDE LVL FASTEN PLYS w/ (3) ROWS 12D NAILS AT 12" O.C.
- (2) PLY 14" TO AND 18" TALL (INCLUSIVE); FASTEN PLYS w/ (3) ROWS 16D NAILS AT 12" O.C. OR ALT 1 1/2" WIDE LVL FASTEN PLYS w/ (4) ROWS 12D NAILS AT 12" O.C.
- (2) PLY 20" TALL AND OVER; FASTEN PLYS w/ (4) ROWS 16D NAILS AT 12" O.C. OR ALT 1 1/2" WIDE LVL FASTEN PLYS w/ (5) ROWS 12D NAILS AT 12" O.C.
- (3) PLY UP TO AND INCLUDING 11 7/8" TALL; FASTEN PLYS w/ (2) ROWS 16D NAILS AT 12" O.C. FROM EACH SIDE OR ALT 1 1/2" WIDE LVL FASTEN PLYS w/ (3) ROWS 12D NAILS AT 12" O.C. FROM EACH SIDE.
- (3) PLY 14" TO AND 18" TALL (INCLUSIVE); FASTEN PLYS w/ (3) ROWS 16D NAILS AT 12" O.C. FROM EACH SIDE OR ALT 1 1/2" WIDE LVL FASTEN PLYS w/ (4) ROWS 12D NAILS AT 12" O.C. FROM EACH SIDE.
- (3) PLY 20" TALL AND OVER; FASTEN PLYS w/ (4) ROWS 16D NAILS AT 12" O.C. FROM EACH SIDE OR ALT 1 1/2" WIDE LVL FASTEN PLYS w/ (5) ROWS 12D NAILS AT 12" O.C. FROM EACH SIDE.
- (4) PLY (ALL SIZES); FASTEN PLYS w/ (2) ROWS 1/2" DIAMETER A307 BOLTS AT 24" O.C. SEE SHOP DRAWING FOR ADDITIONAL INFORMATION.

FIELD INSTALLED FIRST FLOOR BEAM/HEADER SCHEDULE

IDENTIFIER	DESCRIPTION	LENGTH	OPTIONS	ENG. NUM.	REMARKS
B101	BEAM STEEL - W12X30	23'-10 3/4"		1023	
PF101-2	LVL 1.75 - 11-04	20'-1"	GCB/ GCF	1035	

STEEL COLUMN SCHEDULE

IDENTIFIER	STYLE	HEIGHT	OPTIONS	ENG. NUM.	REMARKS
C01	STANCHION - 3 IN SCHED 40	9'-6"	GCB/ GCF, ELA/ ELB/ ELK/ ELL, SXG, FBA/ FCA	1006	

FIRST FLOOR JACK SCHEDULE

IDENTIFIER	DESCRIPTION	OPTIONS	ENG. NUM.	REMARKS
J103	JACK - (4) 2x6 SPF STUD GRADE	SXC, ELA/ ELK	1006	
J108	JACK - (4) 2x4 SPF STUD GRADE		1014	
J109	JACK - (2) 2x6 SPF STUD GRADE		1016	
J110	JACK - (2) 2x4 SPF STUD GRADE		1016	
J111	JACK - (2) 2x4 SPF STUD GRADE		1018	
J112	JACK - (2) 2x4 SPF STUD GRADE		1020	
J117	JACK - (5) 2x4 SPH		1023	
J118	JACK - (3) 2x4 SPF STUD GRADE		1021	
J119	JACK - (3) 2x4 SPF STUD GRADE	ELA/ ELG/ ELK	1031	
J120	JACK - (2) 2x4 SPF STUD GRADE	ELA/ ELG/ ELK	1031	
J121	JACK - (2) 2x4 SPF STUD GRADE	GCB/ GCF	1035	
J122	JACK - (2) 2x4 SPF STUD GRADE	GCB/ GCF	1035	
J131	JACK - (2) 2x4 SPF STUD GRADE		1053	
J132	JACK - (2) 2x4 SPF STUD GRADE		1055	
J133	JACK - (3) 2x4 SPF STUD GRADE		1055	
J135	JACK - (2) 2x4 SPF STUD GRADE		1063	
J144	JACK - (2) 2x4 SPF STUD GRADE		1018	
J145	JACK - (3) 2x4 SPF STUD GRADE		1021	
J147	JACK - (5) 2x4 SPH		1023	

REMARKS

REV. NO. DATE DESCRIPTION

1 1/4/19 DRA - ADDED GENERAL NOTE FOR EXTERIOR WALLS

2 05/20/19 SLS - PAR #51650

© NVR, Inc. All rights reserved. The user may not reproduce, modify, or distribute these plans without the written consent of NVR, Inc.

NVR
NVR, Inc. Suite 100
Friedrich, MD 21703
5285 Washington Blvd.

SET NO. CLM00
VERSION 01
DRAWN BY ARY
DATE:
OPTION

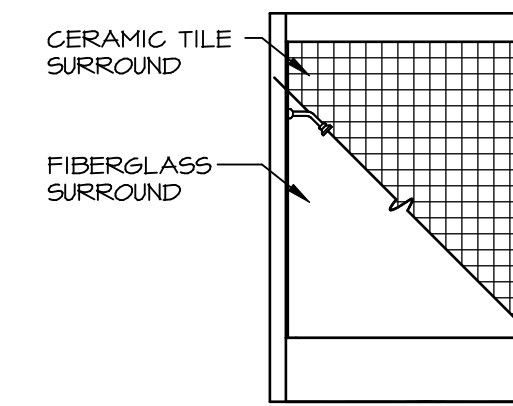
MODEL: COLUMBIA
DRAWING TITLE: FIRST FLOOR PLAN
OPTION DESCRIPTION

SHEET NO. A-7
27

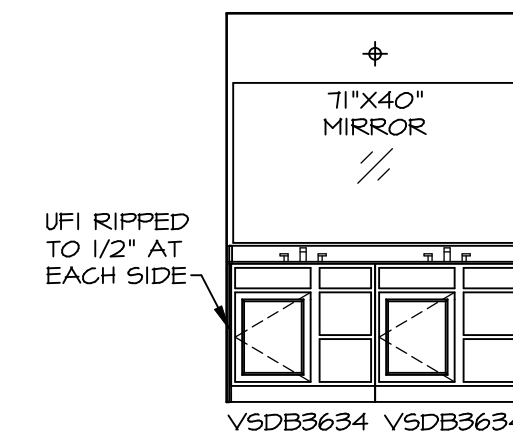
C:\NVR\Solves\COLUMBIA_CLM00_01\DC7-10-1592-1189893\Sheets\Lot_Specific\27_A-7_FLN1_LS.dwg 04/17/19 - 5:27 am

NOTES:

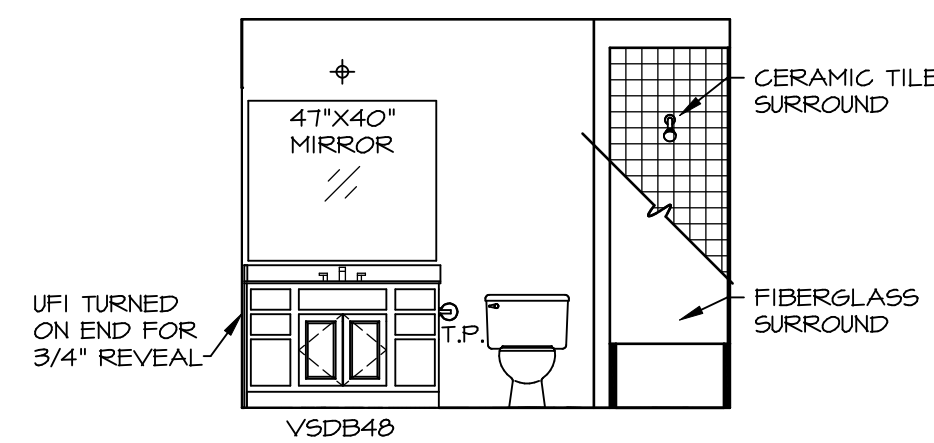
1. TEMPERED GLASS SHOWER ENCLOSURE WITH SWING DOOR OR OPTIONAL SLIDING DOOR BY DIVISION
2. TUB ACCESS PANELS PROVIDED AS NEEDED, ALL MATERIALS BY DIVISION
3. REFER TO SHEET D-XX FOR TUB AND SHOWER DETAILS.
4. ALL V5DB24-42 DRAWERS TO BE SET ON RIGHT HAND.
5. ALL BATH ELEVATIONS ARE SHOWN PER PLAN.



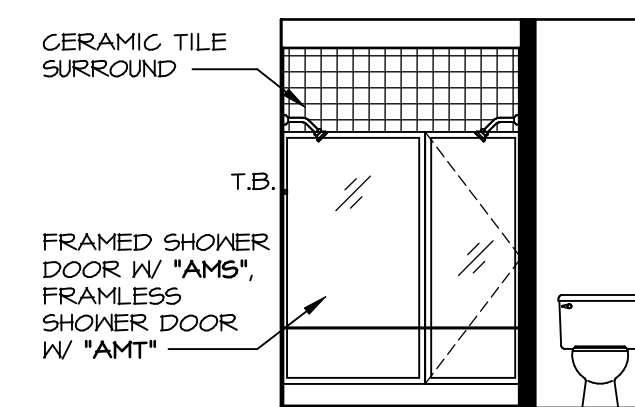
G BATH #1
SCALE: 1/4" = 1'-0"



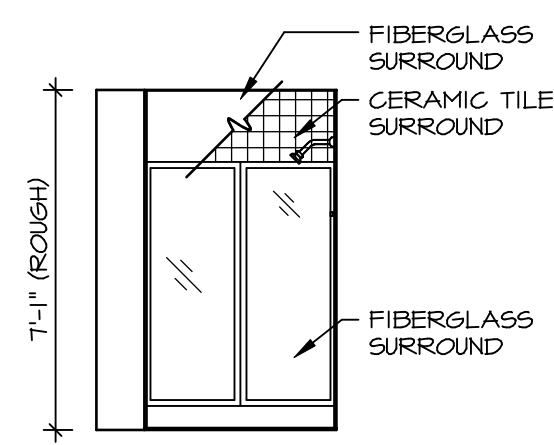
L OWNER'S BATH
SCALE: 1/4" = 1'-0" OWNER'S BATHROOM W/ ROMAN SHOWER *AM6*



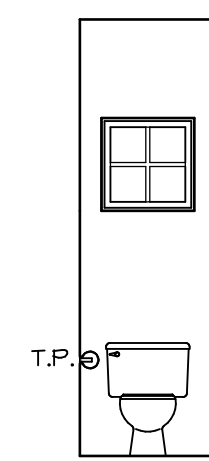
F BATH #1
SCALE: 1/4" = 1'-0" SINGLE BOWL VANITY *VC*



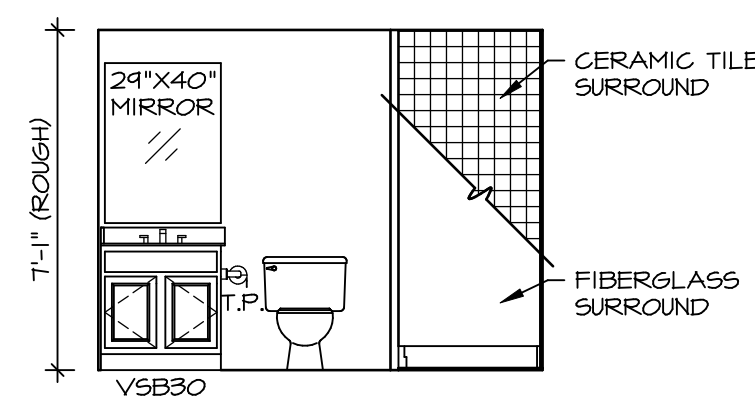
K OWNER'S BATH
SCALE: 1/4" = 1'-0" OWNER'S BATHROOM W/ ROMAN SHOWER *AM6*



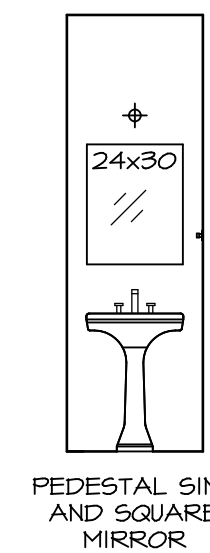
B BASEMENT BATH
SCALE: 1/4" = 1'-0" BASEMENT BATH *AEB*



D POWDER ROOM
SCALE: 1/4" = 1'-0"



A BASEMENT BATH
SCALE: 1/4" = 1'-0" BASEMENT BATH *AEB*

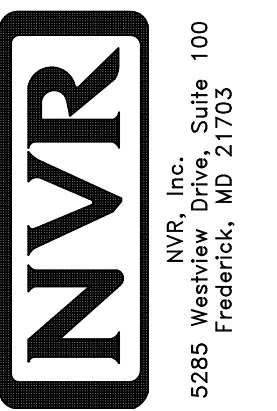


C POWDER ROOM
SCALE: 1/4" = 1'-0"

REMARKS

REV. NO. DATE

© NVR, Inc. expressly reserves the right to modify or change the design or specifications of any product shown in these plans. These plans are not to be reproduced, changed or copied in any way without the written consent of NVR, Inc.



SET NO. CLMOO
VERSION 01
DRAWN BY ARY
DATE:
OPTION

MODEL COLUMBIA
DRAWING TITLE BATH ELEVATIONS
OPTION DESCRIPTION

SHEET NO. A-13
46