

PLUMBING PLAN
SCALE: 1/4" = 1'-0"

NOTE
RADON REMEDIATION
RADON LOOP:
- (4") PERFORATED HDPE "LOOP"
- MUST BE PLACED IN STONE BED SLIGHTLY HIGHER THAN ANY INTERIOR DRAINTILE
- LOOP TO BE SEPARATE FROM ANY DRAINTILE ELEMENTS
- TO BE CORRUGATED HDPE PIPE
- SCREENS TO BE INSTALLED THROUGH LOOP AT TEE UP INTO STACK
STACK REQUIREMENTS:
- 3" PVC STACK (4" IF BASEMENT IS GREATER THAN 2200 SQFT.)
- NO PART OF STACK IS TO BE HORIZONTAL
- PIPE TO BE PHYSICALLY LABELED IN THE FIELD AS "RADON VENT" OR OTHER JURISDICTIONALLY REQUIRED LANGUAGE (ON EVERY LEVEL OF HOUSE)
- ROOF TERMINATION TO BE IN TOP 1/3 OF ROOF
- SCREEN INSTALLED TO KEEP PESTS OUT OF RADON VENT AT ROOF TERMINATION

SHEET NO.	A-5	22
MODEL	ALLEGHENY	
SET NO.	ALGOO	
VERSION	01	
DRAWN BY	TN	
DATE	08/04/2017	
OPTION		



© NVR, Inc. NVR, Inc. expressly reserves the right to modify, alter, change, or update these plans without notice. These plans are not to be reproduced, changed or copied in any way without the written consent of NVR, Inc.

DIV-COMM-LOT-UNIT	
DCY-VG-L675	
COMM-LOT	VLGS OF WINDING CREEK WARR CO - L675
STREET ADDRESS	4760 WINDING CREEK BLVD
CITY	CENTERVILLE
STATE	OH
ZIP	45459

LEGEND	
	BEARING WALL
	NON BEARING WALL
	INDICATES BEARING FROM POINT-LOAD ABOVE
	JACKS
	BEAM/HEADER
	PAD FOOTING
	STEEL COLUMN
	PORTAL FRAME
	JOIST/TRUSS
	LVL
	ENGINEERING PAGE NUMBER

SEE FC DETAILS FOR FRAMING CONNECTORS

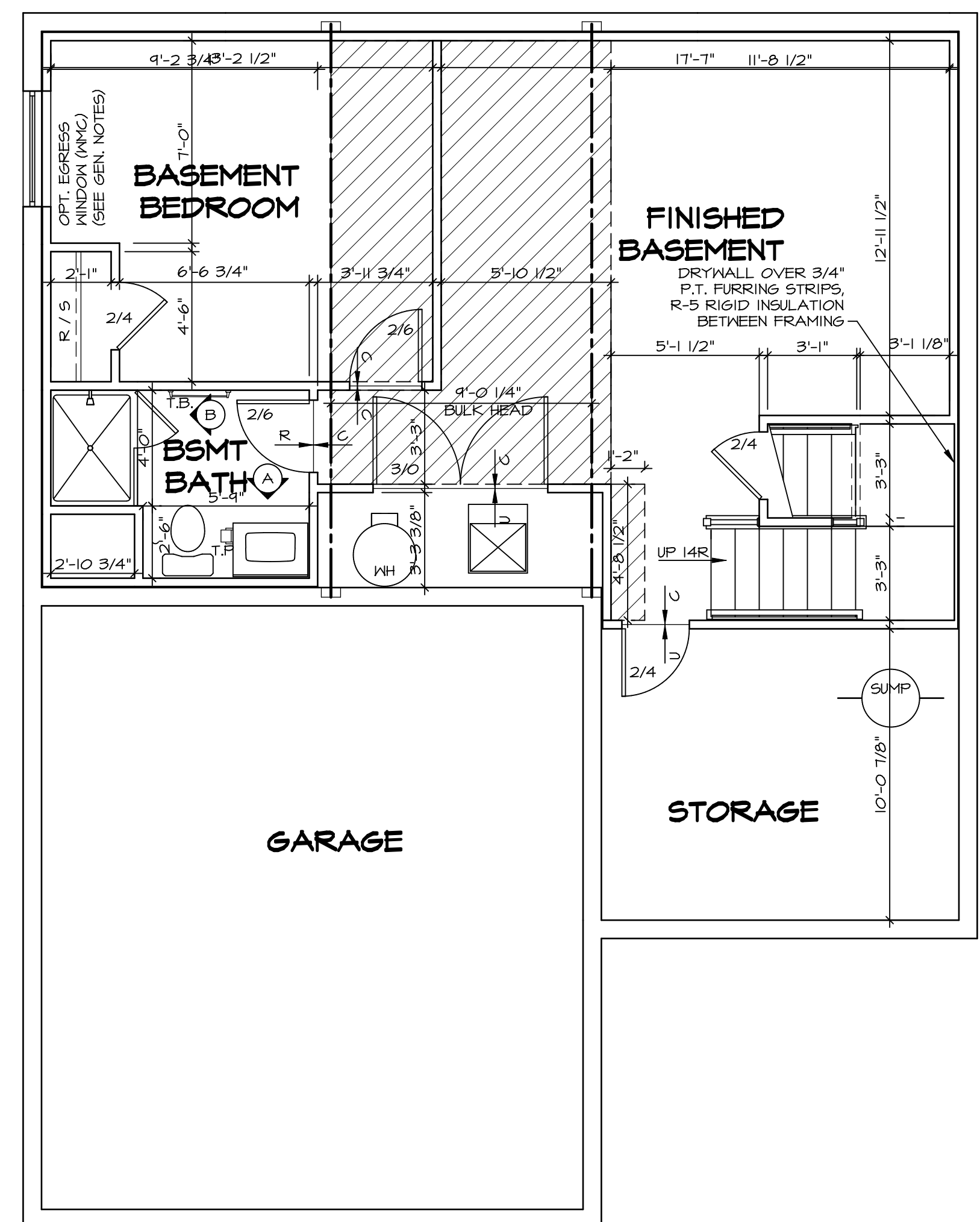
FLOOR PLAN NOTES

- ALL HEADERS ARE (2) 2x6 w/ 2x4 WALLS OR (3) 2x6 w/ 2x6 WALLS, UNLESS OTHERWISE NOTED.
- ALL HEADERS TO HAVE (1) 2x4 OR 2x6 JACK AND KING STUD EACH END, UNLESS OTHERWISE NOTED.
- ALL EXTERIOR WALLS TO BE 4" w/ OSB OR 3 1/2" w/ T-PLY, ALL INTERIOR WALLS TO BE 3 1/2", UNLESS OTHERWISE NOTED.
- HATCHED AREAS INDICATE DROPPED CEILING. ALL DROPPED CEILING ARE 12" UNLESS OTHERWISE NOTED.
- SEE "BRACED WALL PANEL DETAIL SHEET" FOR SPECIAL WALL FRAMING LOCATIONS AND HEADER SIZES, IF APPLICABLE.
- SEE STANDARD DETAIL CATEGORY "IT" SHEET(S) FOR INTERIOR TRIM DETAILS.
- SEE ARCHITECTURAL DETAIL SHEET "AD" FOR HOUSE SPECIFIC INTERIOR TRIM OPTION TABLE.
- ALL WINDOWS HAVE 1'-0" 1/2" HEADER HEIGHT UNLESS OTHERWISE NOTED.
- ALL HEADERS IN NON-BEARING WALLS SHALL BE A SINGLE FLAT 2X4 OR 2X6 ATTACHED TO CRIPPLES ABOVE, UNLESS OTHERWISE NOTED.
- TANKED WATER HEATER SHOWN AS BASE CONDITION, OPTIONAL TANKLESS WATER HEATER IS AVAILABLE IN LIEU OF TANKED WATER HEATER.

GYPSUM NOTES

AT GARAGE:
 GYPSUM BOARD AT COMMON WALLS, CEILING, BEAM WRAPS AND SUPPORTS PER STANDARD DETAIL FA-1(b) FIRE ASSEMBLIES OR AS REQUIRED BY LOCAL CODE.

AT STAIRS:
 1/2" GYPSUM BOARD AT UNDERSIDE OF STAIRS AND WALLS IN CLOSET



BASEMENT FLOOR PLAN
 SCALE: 1/4" = 1'-0"

SHEET NO. A-6	MODEL ALLEGHENY	SET NO. ALGOO	VERSION 01	DRAWN BY TN	DATE: 08/04/2017	OPTION
		DRAWING TITLE BASEMENT FLOOR PLAN				
OPTION DESCRIPTION		OPTION				
26						

DIV-COMM-LOT-UNIT DCY-VG-L675	
COMM-LOT	VLGS OF WINDING CREEK WARR CO - L675
STREET ADDRESS	4760 WINDING CREEK BLVD
CITY	CENTERVILLE
STATE	OH
ZIP	45459

© NVR, Inc. expressly reserves the copyright and all other rights in these plans. These plans are not to be reproduced, changed or copied in any way without the written consent of NVR, Inc.

NVR
 NVR, Inc. Suite 100
 Frederick, MD 21703

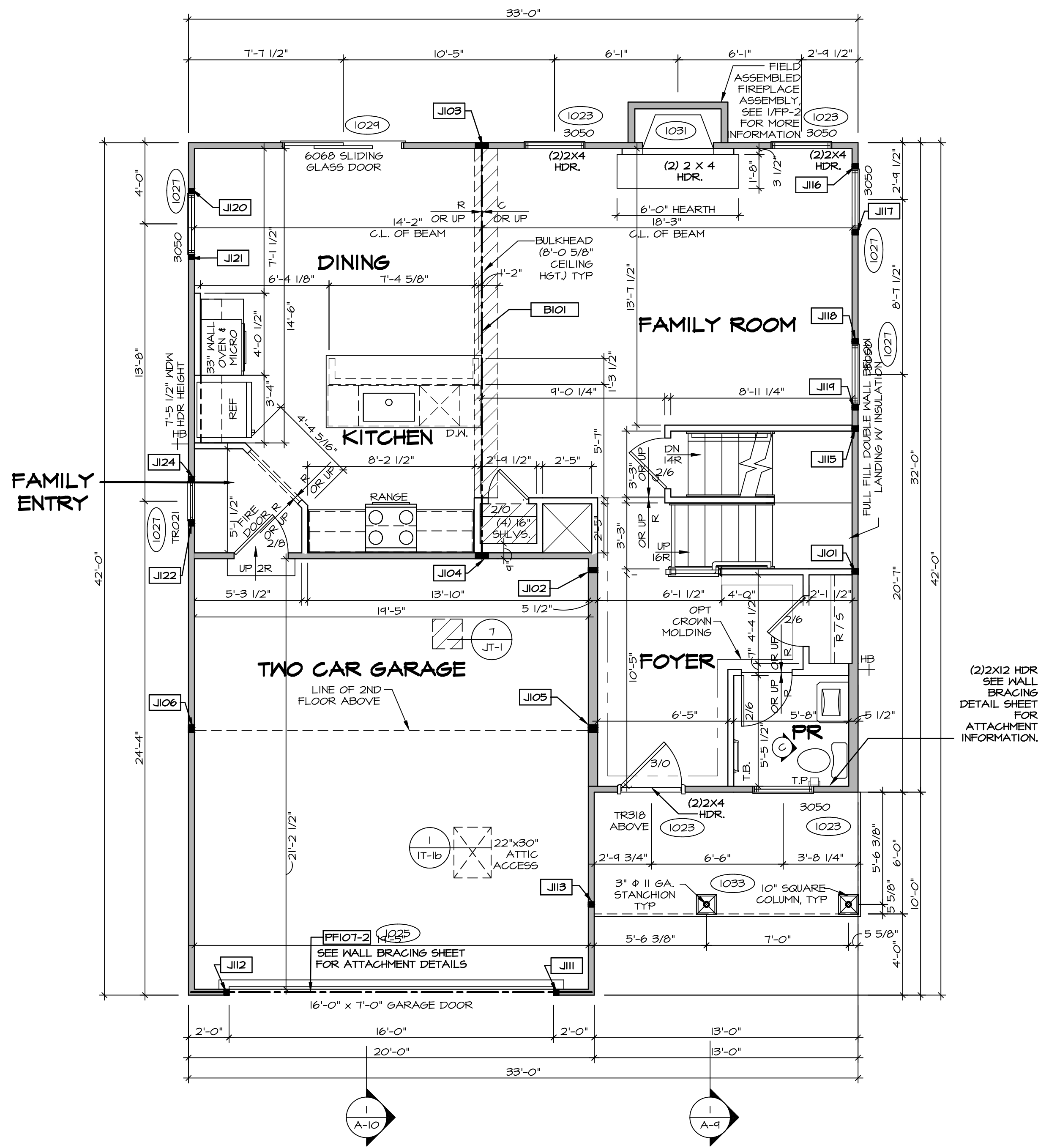
5285 Washburn Ln
 Frederick, MD 21703

C:\NVR\Solves\ALLEGHENY_ALGOO_01\DCY-VG-L675\2259736\Sheets\Lot_Specifications\A-6 A-6 BSMT_LS.dwg 03/31/21 - 3.01 gm

FIRST FLOOR JACK SCHEDULE				
IDENTIFIER	DESCRIPTION	ENG. NUM.	REMARKS	
J101	JACK - (2) 2X4 SFF STUD GRADE	1004		
J102	JACK - (2) 2X6 SFF STUD GRADE	1004		
J103	JACK - (3) 2X4 SFF	1008		
J104	JACK - (3) 2X4 SFF	1008		
J105	JACK - (3) 2X6 SFF	1010		
J106	JACK - (3) 2X4 SFF	1010		
J111	JACK - (2) 2X4 SFF STUD GRADE	1025		
J112	JACK - (2) 2X4 SFF STUD GRADE	1025		
J113	JACK - (2) 2X4 SFF STUD GRADE	1033		
J115	JACK - (2) 2X4 SFF STUD GRADE	1006		
J116	JACK - (2) 2X4 SFF STUD GRADE	1027		
J117	JACK - (2) 2X4 SFF STUD GRADE	1027		
J118	JACK - (2) 2X4 SFF STUD GRADE	1027		
J119	JACK - (2) 2X4 SFF STUD GRADE	1021		
J120	JACK - (2) 2X4 SFF STUD GRADE	1027		
J121	JACK - (2) 2X4 SFF STUD GRADE	1027		
J122	JACK - (2) 2X4 SFF STUD GRADE	1027		
J124	JACK - (2) 2X4 SFF STUD GRADE	1027		

FIELD INSTALLED FIRST FLOOR BEAM/HEADER SCHEDULE				
IDENTIFIER	DESCRIPTION	LENGTH	ENG. NUM.	REMARKS
B101	BEAM STEEL - W10X30	20'-6"	1008	
PFI07-2	LVL 1.75 - 11-04	11'-4"	1025	2-PLY, I.A. PORTAL FRAME

STEEL COLUMN SCHEDULE				
IDENTIFIER	STYLE	HEIGHT	ENG. NUM.	REMARKS



FIRST FLOOR PLAN
SCALE: 1/4" = 1'-0"

LEGEND	
	BEARING WALL
	NON BEARING WALL
	INDICATES BEARING FROM POINT-LOAD ABOVE
	JACKS
	BEAM/HEADER
	PAD FOOTING
	STEEL COLUMN
	PORTAL FRAME
	JOIST/TRUSS
	LVL
	ENGINEERING PAGE NUMBER

SEE FC DETAILS FOR FRAMING CONNECTORS

- FLOOR PLAN NOTES** RYAN
- ALL HEADERS ARE (2) 2x6 w/ 2x4 WALLS OR (3) 2x6 w/ 2x6 WALLS, UNLESS OTHERWISE NOTED.
 - ALL HEADERS TO HAVE (1) 2x4 OR 2x6 JACK AND KING STUD EACH END, UNLESS OTHERWISE NOTED.
 - ALL EXTERIOR WALLS TO BE 4" w/ OSB OR 3 1/2" w/ LAMINATED FIBROUS STRUCTURAL SHEATHING, ALL INTERIOR WALLS TO BE 3 1/2", UNLESS OTHERWISE NOTED.
 - HATCHED AREAS INDICATE DROPPED CEILINGS. ALL DROPPED CEILINGS ARE 12" UNLESS OTHERWISE NOTED.
 - SEE "BRACED WALL PANEL DETAIL SHEET" FOR SPECIAL WALL FRAMING LOCATIONS AND HEADER SIZES, IF APPLICABLE.
 - SEE STANDARD DETAIL CATEGORY "1T" SHEET(S) FOR INTERIOR TRIM DETAILS.
 - SEE ARCHITECTURAL DETAIL SHEET "AD" FOR HOUSE SPECIFIC INTERIOR TRIM OPTION TABLE.
 - ALL WINDOWS HAVE 7'-0" 1/2" HEADER HEIGHT UNLESS OTHERWISE NOTED.
 - ALL HEADERS IN NON-BEARING WALLS SHALL BE A SINGLE FLAT 2X4 OR 2X6 ATTACHED TO GRIPPLIES ABOVE, UNLESS OTHERWISE NOTED.
 - TANKED WATER HEATER SHOWN AS BASE CONDITION, OPTIONAL TANKLESS WATER HEATER IS AVAILABLE IN LIEU OF TANKED WATER HEATER.

- GYPSUM NOTES**
- AT GARAGE:
GYPSUM BOARD AT COMMON WALLS, CEILING, BEAM WRAPS AND SUPPORTS PER STANDARD DETAIL FA-1(b) FIRE ASSEMBLIES OR AS REQUIRED BY LOCAL CODE.
- AT STAIRS:
1/2" GYPSUM BOARD AT UNDERSIDE OF STAIRS AND WALLS IN CLOSET

DCY-VG-L675

SET NO. ALGOO
VERSION 01
DRAWN BY YON
DATE: 08/10/2017
OPTION

MODEL ALLEGHENY
DRAWING TITLE FIRST FLOOR PLAN
OPTION DESCRIPTION

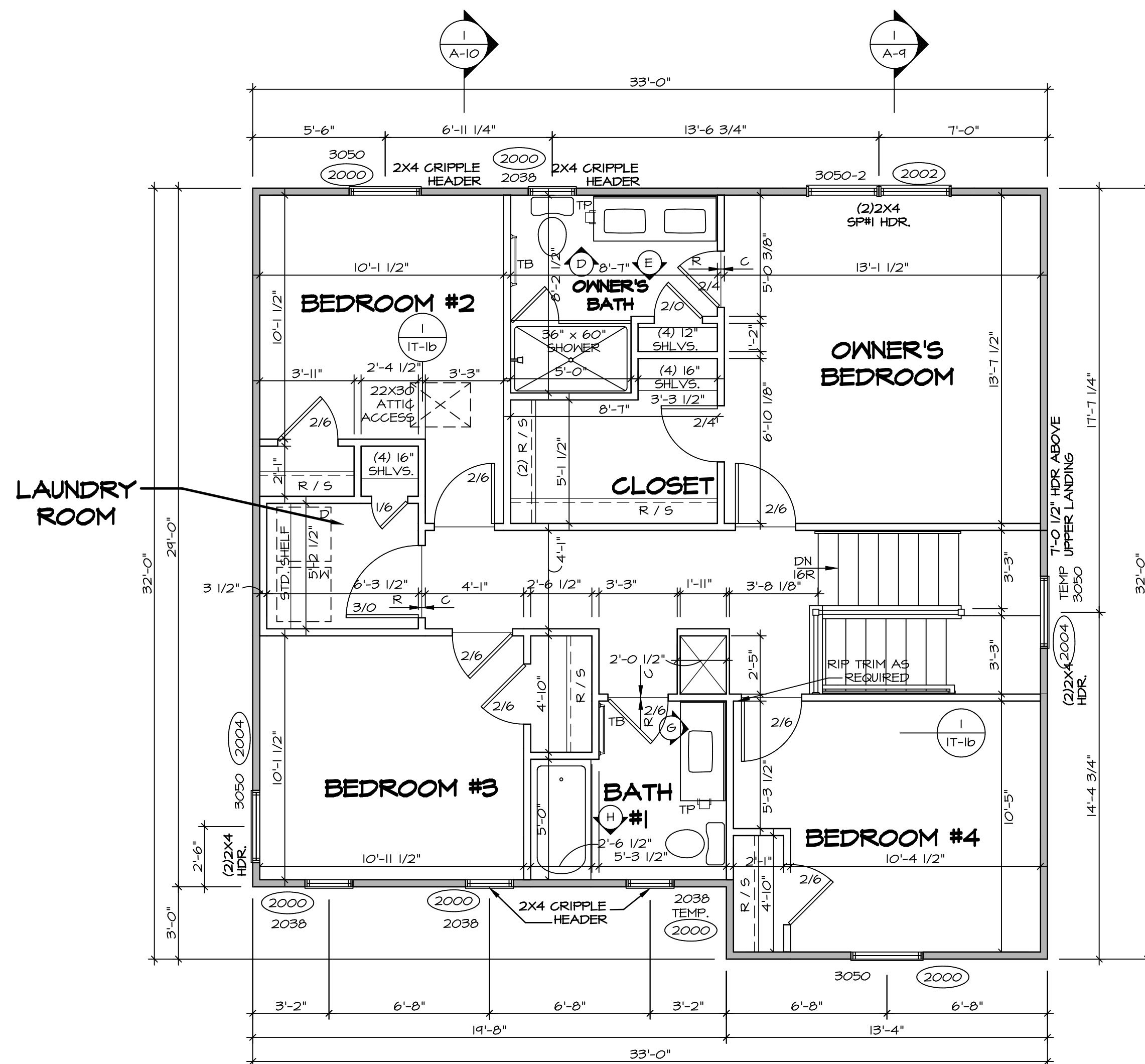
SHEET NO. A-7 28

© NVR, Inc. All rights reserved. No part of this drawing may be reproduced, stored in a retrieval system, or transmitted in any form or by any means, electronic, mechanical, photocopying, recording, or by any information storage and retrieval system, without the prior written permission of NVR, Inc.

NVR, Inc. Suite 100
5285 Washington Blvd.
Frederick, MD 21703

DCY-VG-L675-259736A_Sheets\1st Floor\1st Floor Plan.dwg 08/31/21 - 5:01 pm

STATE OH ZIP 45459



SECOND FLOOR PLAN
SCALE: 1/4" = 1'-0"

LEGEND	
	BEARING WALL
	NON BEARING WALL
	INDICATES BEARING FROM POINT-LOAD ABOVE
	JACKS
	BEAM/HEADER
	PAD FOOTING
	STEEL COLUMN
	PORTAL FRAME
	JOIST/TRUSS
	LVL
	ENGINEERING PAGE NUMBER

SEE FC DETAILS FOR FRAMING CONNECTORS

- FLOOR PLAN NOTES** RYAN
- ALL HEADERS ARE (2) 2x6 w/ 2x4 WALLS OR (3) 2x6 w/ 2x6 WALLS, UNLESS OTHERWISE NOTED.
 - ALL HEADERS TO HAVE (1) 2x4 OR 2x6 JACK AND KING STUD EACH END, UNLESS OTHERWISE NOTED.
 - ALL EXTERIOR WALLS TO BE 4" w/ OSB OR 3 1/2" w/ T-PLY, ALL INTERIOR WALLS TO BE 3 1/2", UNLESS OTHERWISE NOTED.
 - HATCHED AREAS INDICATE DROPPED CEILINGS. ALL DROPPED CEILINGS ARE 12" UNLESS OTHERWISE NOTED.
 - SEE "BRACED WALL PANEL DETAIL SHEET" FOR SPECIAL WALL FRAMING LOCATIONS AND HEADER SIZES, IF APPLICABLE.
 - SEE STANDARD DETAIL CATEGORY "1T" SHEET(S) FOR INTERIOR TRIM DETAILS.
 - SEE ARCHITECTURAL DETAIL SHEET "AD" FOR HOUSE SPECIFIC INTERIOR TRIM OPTION TABLE.
 - ALL WINDOWS HAVE 1'-0 1/2" HEADER HEIGHT UNLESS OTHERWISE NOTED.
 - ALL HEADERS IN NON-BEARING WALLS SHALL BE A SINGLE FLAT 2x4 OR 2x6 ATTACHED TO CRIPPLES ABOVE, UNLESS OTHERWISE NOTED.
 - TANKED WATER HEATER SHOWN AS BASE CONDITION, OPTIONAL TANKLESS WATER HEATER IS AVAILABLE IN LIEU OF TANKED WATER HEATER.

- GYPSUM NOTES**
- AT GARAGE:
GYPSUM BOARD AT COMMON WALLS, CEILINGS, BEAM WRAPS AND SUPPORTS PER STANDARD DETAIL FA-1(b) FIRE ASSEMBLIES OR AS REQUIRED BY LOCAL CODE.
- AT STAIRS:
1/2" GYPSUM BOARD AT UNDERSIDE OF STAIRS AND WALLS IN CLOSET

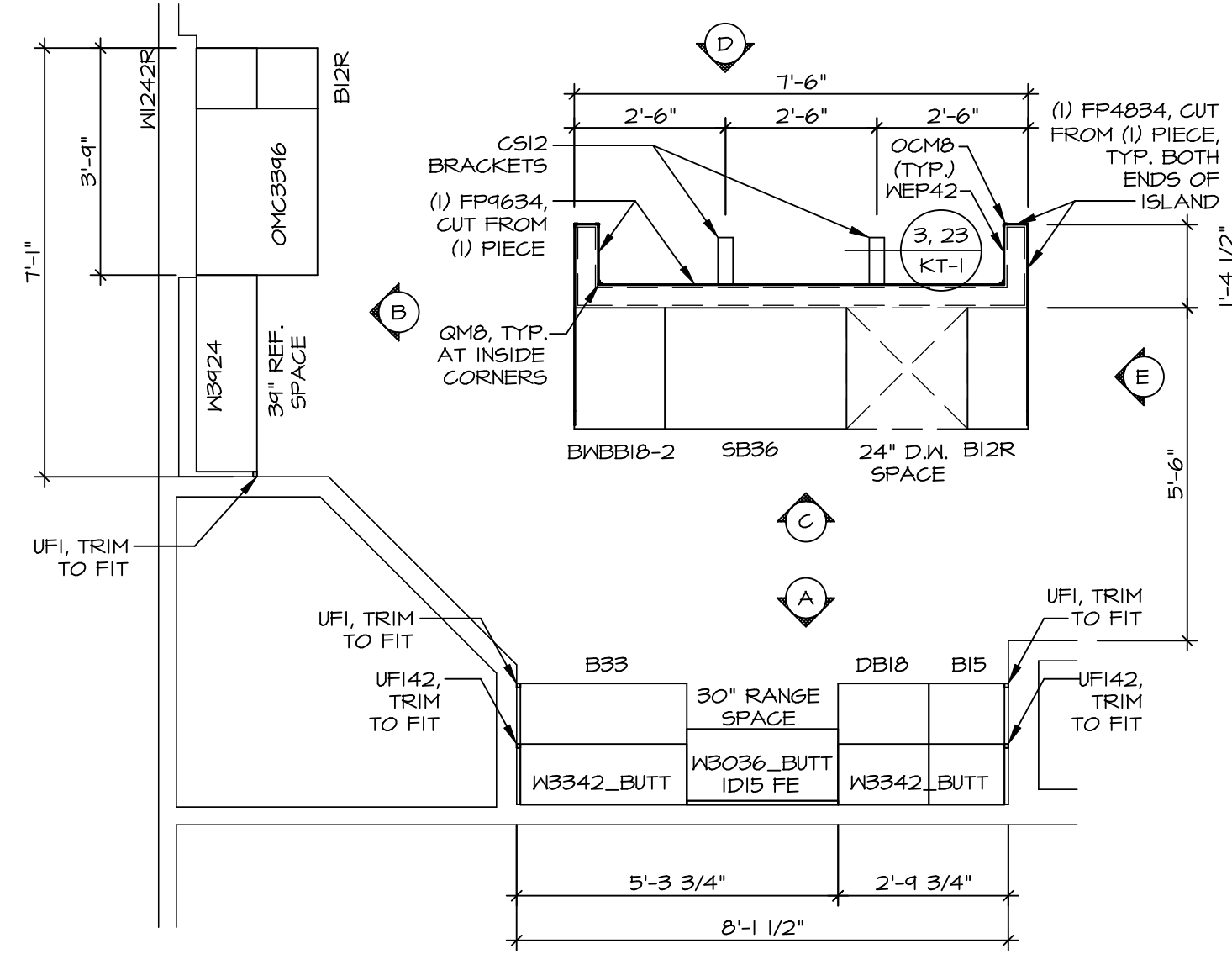
SHEET NO. A-8	MODEL ALLEGHENY	SET NO. ALGOO	DCY-VG-L675 COMM-LOT VILGS OF WINDING CREEK MARR CO - L675 STREET ADDRESS 4760 WINDING CREEK BLVD CITY STATE OH ZIP CENTERVILLE OH 45459
	DRAWING TITLE SECOND FLOOR PLAN	VERSION 01 DRAWN BY YON	
OPTION DESCRIPTION 31	OPTION	DATE: 08/10/2017	OPTION

© NVR, Inc. expressly reserves the right to modify or amend these plans at any time without notice. These plans are not to be reproduced, changed, or altered in any way without the written consent of NVR, Inc.

NVR
NVR, Inc. Suite 100
5285 Washington Blvd.
Frederick, MD 21703

C:\NVR\Solves\ALLEGHENY_ALGOO_01\DCY-VG-L675-2259736\Sheets\Lot_Spec\A-8_Plan2_US.dwg 03/31/21 - 3.01 gm

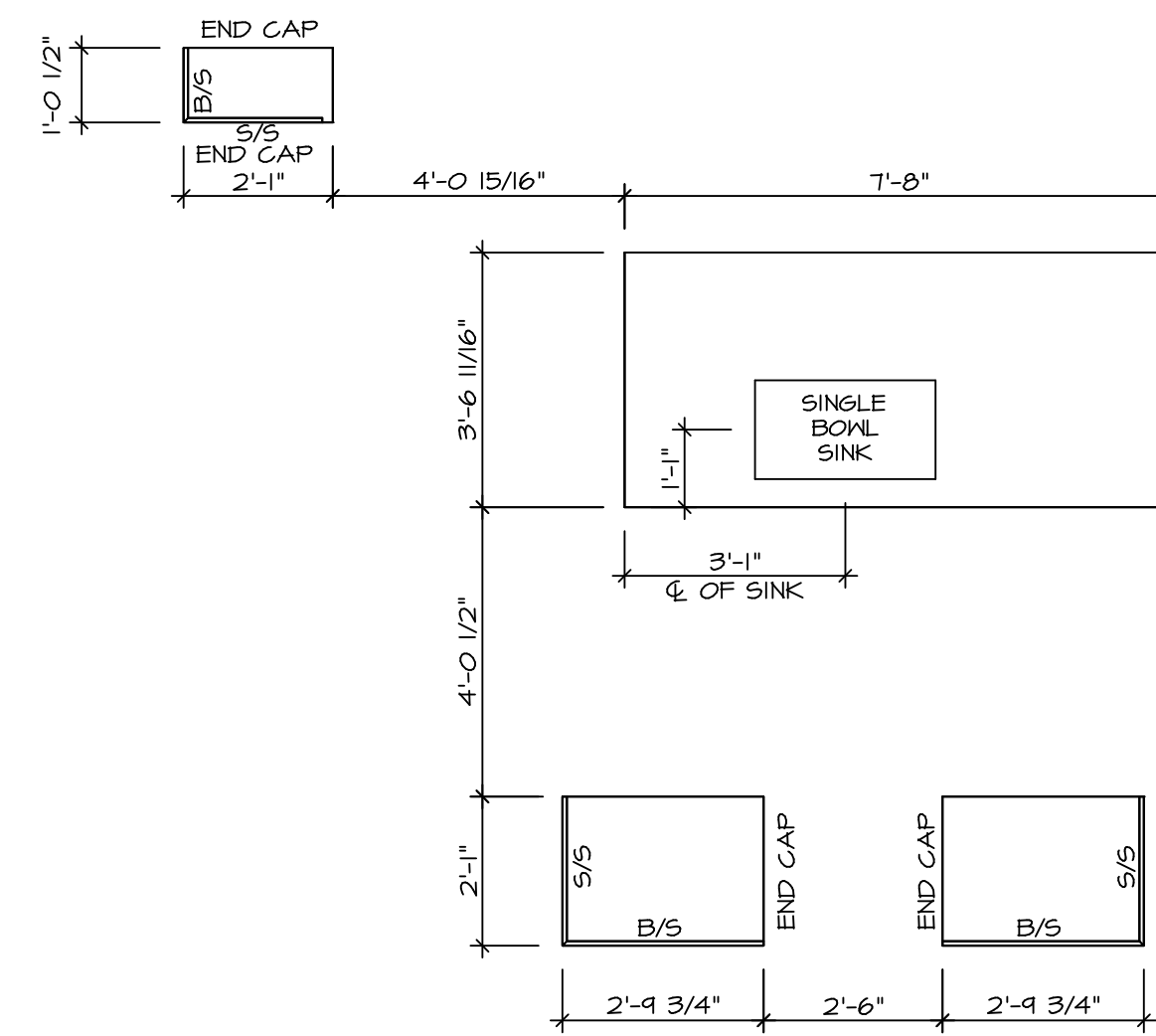
- NOTES:**
- CABINET LAYOUT (S) ARE BASED ON FINISHED DIMENSIONS TO DRYWALL.
 - IF KITCHEN PLANS/ELEVATIONS CALL-OUT STANDARD MOLDING, REFER TO STANDARD DETAIL (1)KT-1) FOR REPLACEMENT BASED ON CABINET STYLE.
 - ALL (U#) FILLERS ARE TO BE "TRIM TO FIT" UNLESS OTHERWISE NOTED.
 - CABINET MUST BE SET, SHIMMED, LEVELED AND FLIMS W/ ADJOINING BASE CABINETS.
 - SET PRE-FINISHED SCRIBE MOLDING AT CABINET BULKHEADS AND AT ENDS (WHERE CABINETS MEET DRYWALL) PRE-FINISHED SCRIBE MOLDING SHALL BE USED TO PAD OUT CABINET SIDES AT STILE FOR RETURN PIECES OF THE FACE-MOUNTED CABINET CROWN MOLDING.
 - HARDWARE INSTALL NOTE: KNOBS GO ON DOORS AND DRAWERS FOR ALL AREAS, ALL DRAWER FRONTS AND DOORS GET (1) KNOB/PULL. NO HARDWARE ON FALSE DRAWER FRONTS.



**KITCHEN CABINET
PLAN KC - 3490TC**

SCALE: 3/8" = 1'-0"

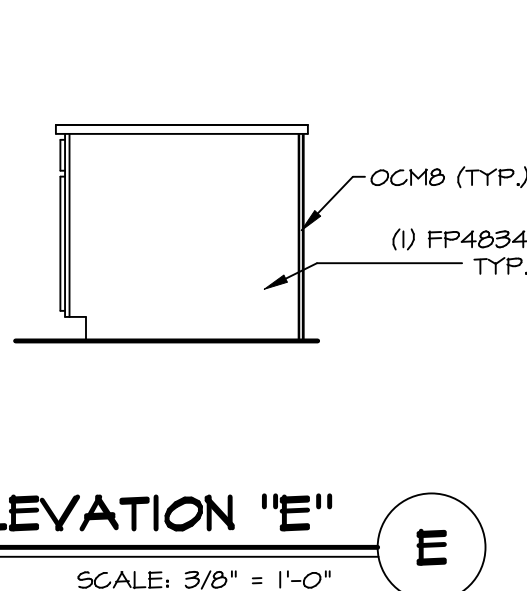
1
A-12



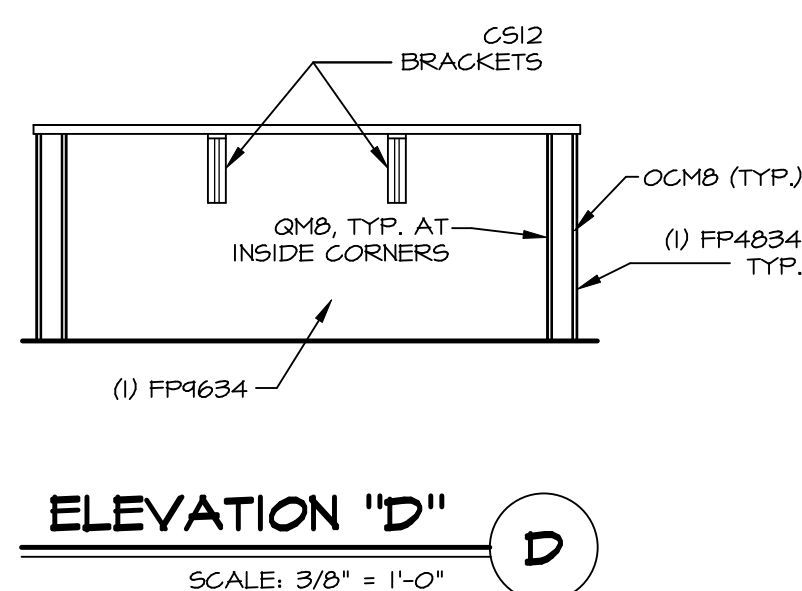
**KITCHEN COUNTERTOP
PLAN KC - 3490TC**

SCALE: 3/8" = 1'-0"

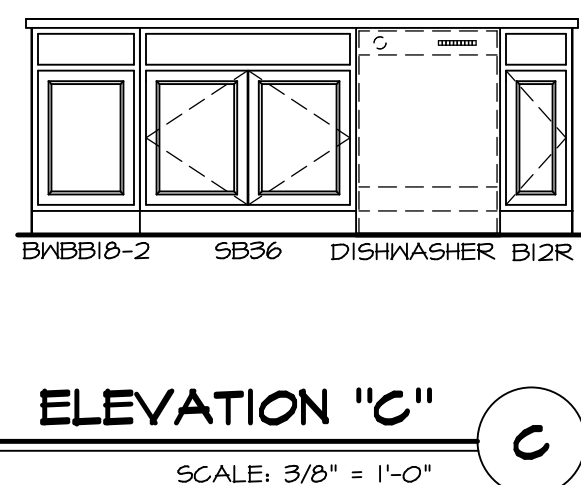
2
A-12



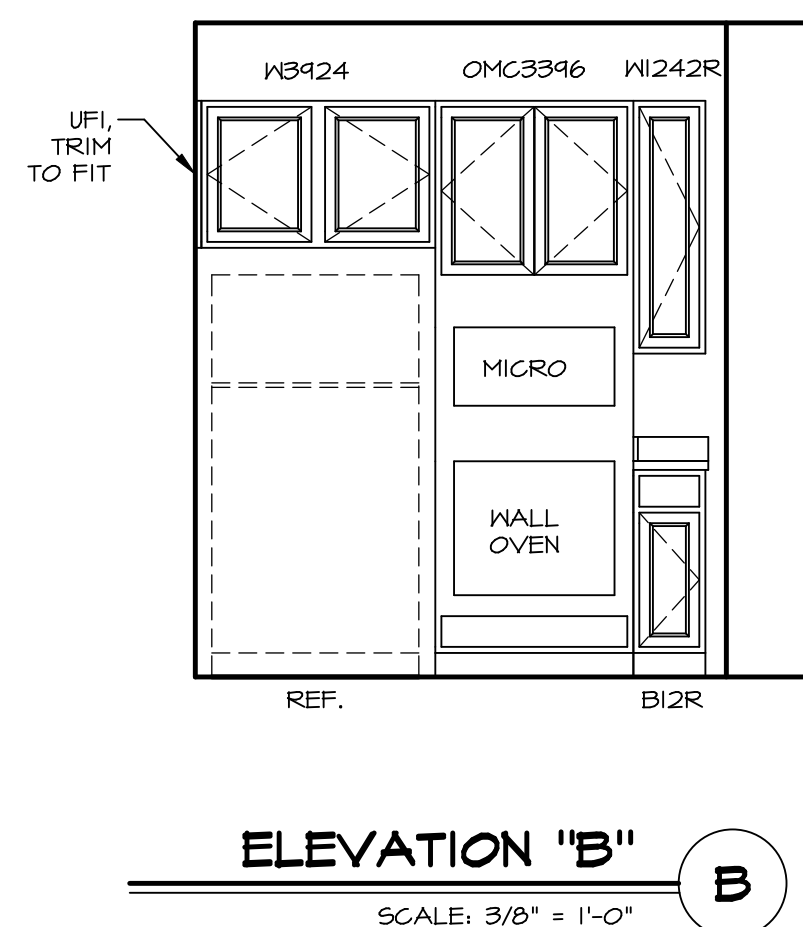
ELEVATION "E"
SCALE: 3/8" = 1'-0"



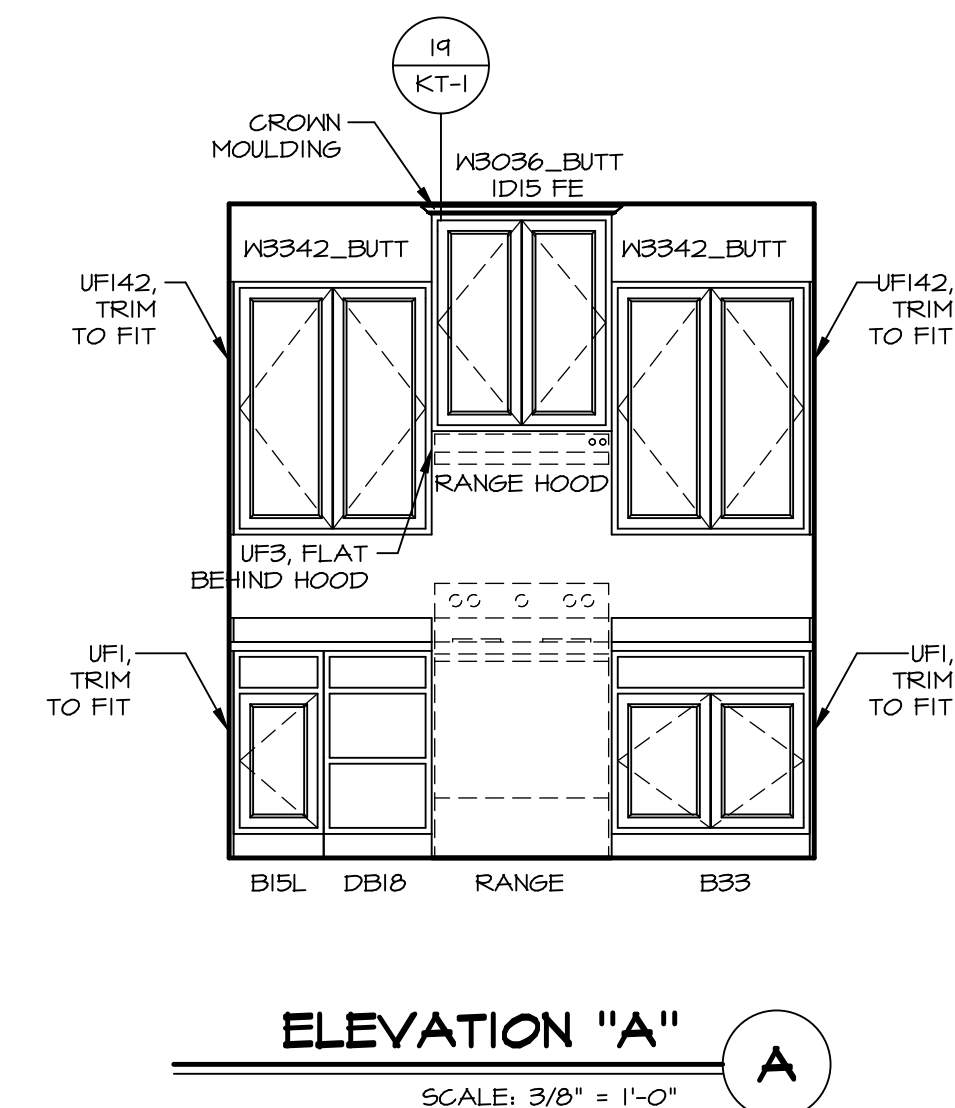
ELEVATION "D"
SCALE: 3/8" = 1'-0"



ELEVATION "C"
SCALE: 3/8" = 1'-0"

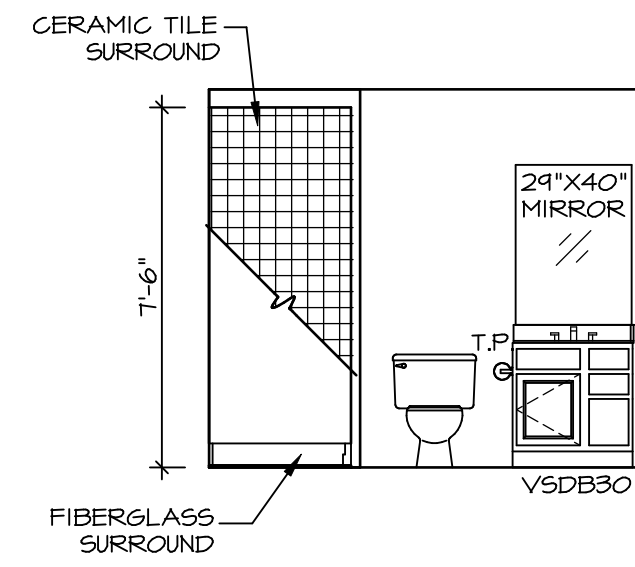


ELEVATION "B"
SCALE: 3/8" = 1'-0"

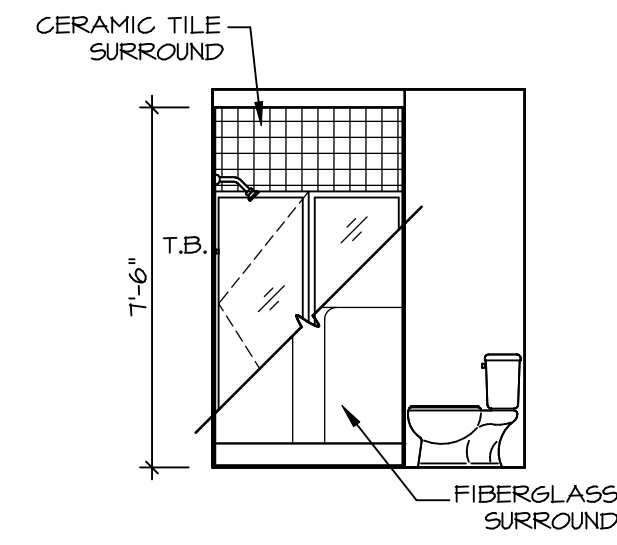


ELEVATION "A"
SCALE: 3/8" = 1'-0"

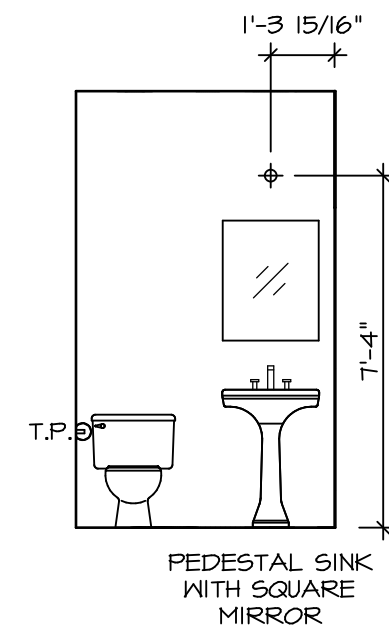
DIV-COMM-LOT-UNIT DCY-VG-L675	
COMM-LOT VLG6 OF WINDING CREEK WARR CO - L675	APT. NO. -----
STREET ADDRESS 4760 WINDING CREEK BLVD	
CITY CENTERVILLE	STATE OH
ZIP 45459	
<small> © NVR, Inc. expressly reserves the right to modify the information contained in these plans without notice. These plans are not to be reproduced, changed, or altered in any way without the written consent of NVR, Inc. </small>	
<small> NVR, Inc. Suite 100 5285 Westchester Blvd. Frederick, MD 21703 </small>	
SET NO. ALGOO VERSION 01	DRAWN BY KDH
DATE: 8/3/17	OPTION
MODEL ALLEGHENY	
DRAWING TITLE KITCHEN PLANS	
OPTION DESCRIPTION	
SHEET NO. A-12	SHEET TOTAL 43



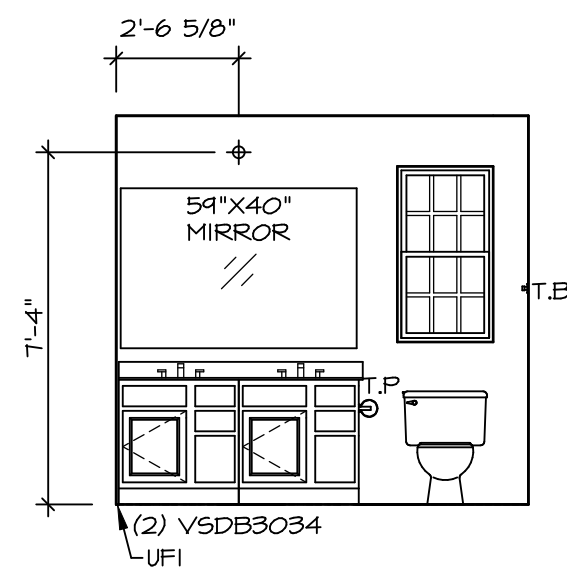
A BASEMENT BATH
SCALE: 1/4" = 1'-0"



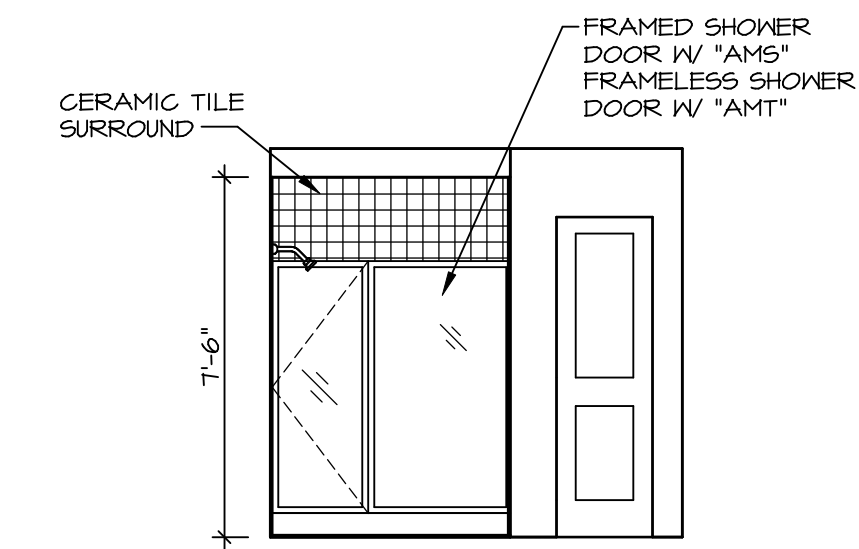
B BASEMENT BATH
SCALE: 1/4" = 1'-0"



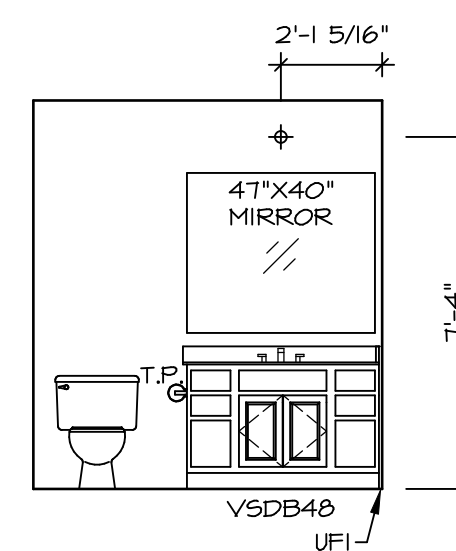
C POWDER ROOM
SCALE: 1/4" = 1'-0"



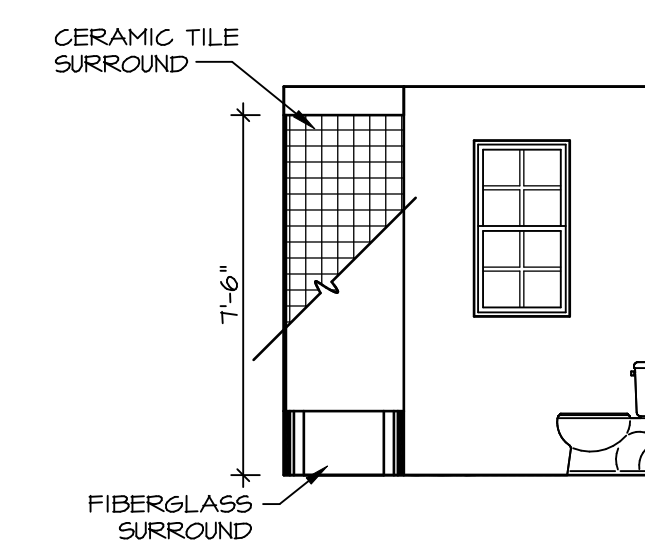
D OWNER'S BATH
SCALE: 1/4" = 1'-0"



E OWNER'S BATH
SCALE: 1/4" = 1'-0"



G BATH #1
SCALE: 1/4" = 1'-0"



H BATH #1
SCALE: 1/4" = 1'-0"

NOTES:

1. TEMPERED GLASS SHOWER ENCLOSURE WITH SWING DOOR OR OPTIONAL SLIDING DOOR BY DIVISION
2. TUB ACCESS PANELS PROVIDED AS NEEDED, ALL MATERIALS BY DIVISION
3. REFER TO SHEET IT-2 FOR TUB AND SHOWER DETAILS.
4. ALL VSDB24-42 DRAWERS TO BE SET ON RIGHT HAND.
5. ALL BATH ELEVATIONS ARE SHOWN PER PLAN.

SHEET NO. A-13	MODEL ALLEGHENY	SET NO. ALGOO	VERSION 01
		DRAWN BY YON	DATE: 4/8/17
OPTION DESCRIPTION	OPTION	DRAWING TITLE BATH ELEVATIONS	
		DRAWING DESCRIPTION	
44		DIV-COMM-LOT-UNIT DCY-VG-L675 COMM-LOT VLGS OF WINDING CREEK WARR CO - L675 STREET ADDRESS 4760 WINDING CREEK BLVD CITY CENTERVILLE STATE OH ZIP 45459	
© NVR, Inc. expressly reserves the copyright and all other rights in these plans. These plans are not to be reproduced, changed, or copied in any way without the prior written consent of NVR, Inc.		NVR NVR, Inc. Suite 100 Frederick, MD 21703	
C:\NVR\Solves\ALLEGHENY_ALGOO_01\DCY-VG-L675\2259736\Sheets\44 A-13 BATH_LS.dwg 03/31/21 - 3:01 am			