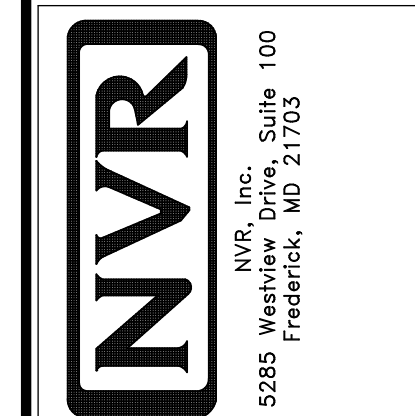


PLUMBING PLAN
SCALE: 1/4" = 1'-0"

NOTE
RADON REMEDIATION
RADON LOOP:
- (4") PERFORATED HDPE "LOOP"
- MUST BE PLACED IN STONE BED SLIGHTLY HIGHER THAN ANY INTERIOR DRAINTILE
- LOOP TO BE SEPARATE FROM ANY DRAINTILE ELEMENTS
- TO BE CORRUGATED HDPE PIPE
- SCREENS TO BE INSTALLED THROUGH LOOP AT TEE UP INTO STACK
STACK REQUIREMENTS:
- 3" PVC STACK (4" IF BASEMENT IS GREATER THAN 2200 SQFT.)
- NO PART OF STACK IS TO BE HORIZONTAL
- PIPE TO BE PHYSICALLY LABELED IN THE FIELD AS "RADON VENT" OR OTHER JURISDICTIONALLY REQUIRED LANGUAGE (ON EVERY LEVEL OF HOUSE)
- ROOF TERMINATION TO BE IN TOP 1/3 OF ROOF
- SCREEN INSTALLED TO KEEP PESTS OUT OF RADON VENT AT ROOF TERMINATION

SHEET NO.	A-5	OPTION DESCRIPTION	22
MODEL	ALLEGHENY	SET NO. ALG00	VERSION 01
DRAWING TITLE	PLUMBING PLAN	DRAWN BY TN	DATE: 08/09/2017
			OPTION



© NVR, Inc. NVR, Inc. expressly reserves the right to modify or discontinue these plans at any time without notice. These plans are not to be reproduced, changed or altered in any way without the written consent of NVR, Inc.

DIV-COMM-LOT-UNIT	DCY-VG-L694
COMM-LOT	VLGS OF WINDING CREEK WARR CO - L694
STREET ADDRESS	2259 COLD STREAM DR
CITY	CENTERVILLE
STATE	OH
ZIP	45459
APT. NO.	N

LEGEND	
	BEARING WALL
	NON BEARING WALL
	INDICATES BEARING FROM POINT-LOAD ABOVE
	JACKS
	BEAM/HEADER
	PAD FOOTING
	STEEL COLUMN
	PORTAL FRAME
	JOIST/TRUSS
	LVL
	ENGINEERING PAGE NUMBER

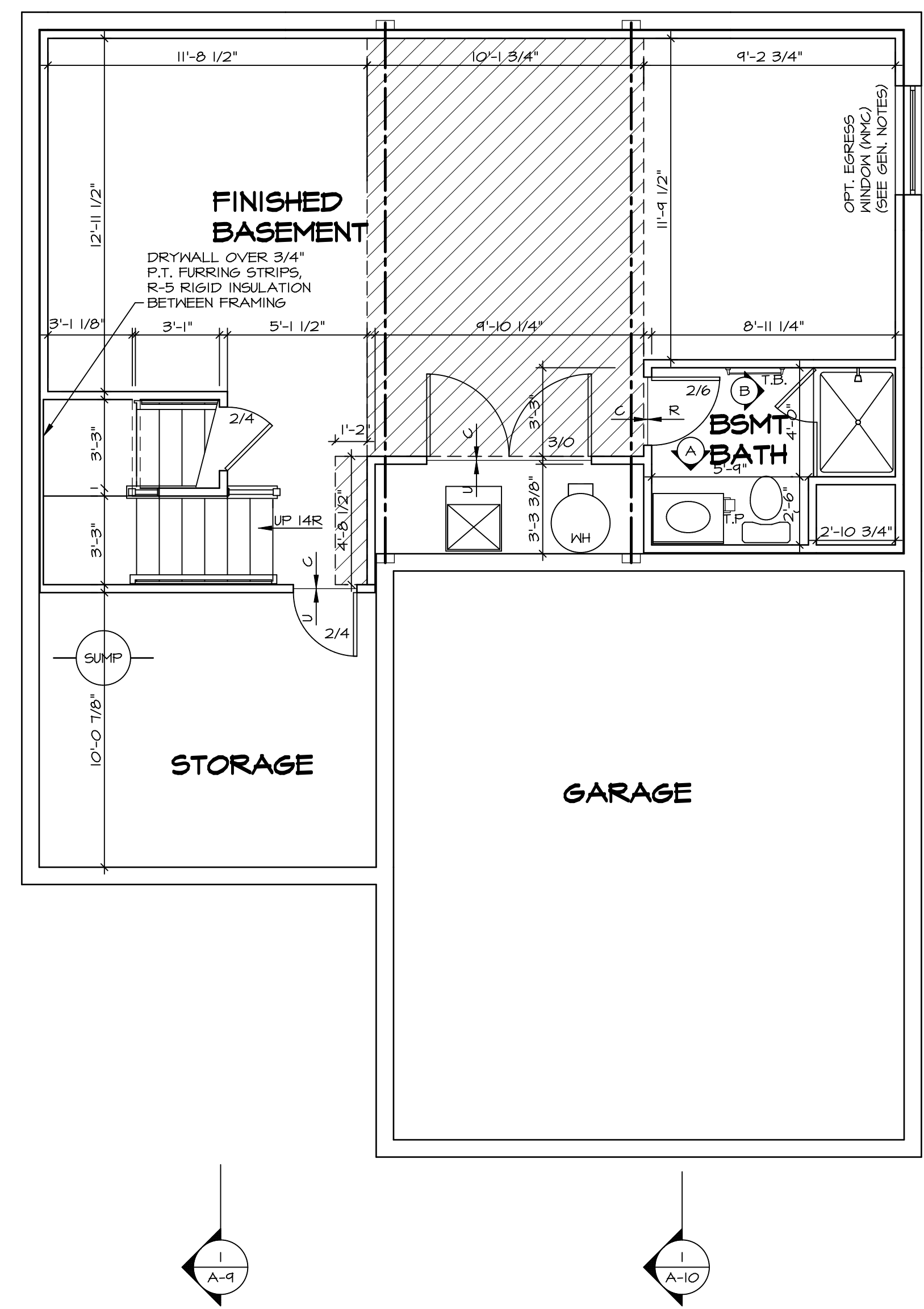
SEE FC DETAILS FOR FRAMING CONNECTORS

- FLOOR PLAN NOTES**
- ALL HEADERS ARE (2) 2x6 w/ 2x4 WALLS OR (3) 2x6 w/ 2x6 WALLS, UNLESS OTHERWISE NOTED.
 - ALL HEADERS TO HAVE (1) 2x4 OR 2x6 JACK AND KING STUD EACH END, UNLESS OTHERWISE NOTED.
 - ALL EXTERIOR WALLS TO BE 4" w/ OSB OR 3 1/2" w/ T-PLY, ALL INTERIOR WALLS TO BE 3 1/2", UNLESS OTHERWISE NOTED.
 - HATCHED AREAS INDICATE DROPPED CEILINGS. ALL DROPPED CEILINGS ARE 12" UNLESS OTHERWISE NOTED.
 - SEE "BRACED WALL PANEL DETAIL SHEET" FOR SPECIAL WALL FRAMING LOCATIONS AND HEADER SIZES, IF APPLICABLE.
 - SEE STANDARD DETAIL CATEGORY "IT" SHEET(S) FOR INTERIOR TRIM DETAILS.
 - SEE ARCHITECTURAL DETAIL SHEET "AD" FOR HOUSE SPECIFIC INTERIOR TRIM OPTION TABLE.
 - ALL WINDOWS HAVE 7'-0" 1/2" HEADER HEIGHT UNLESS OTHERWISE NOTED.
 - ALL HEADERS IN NON-BEARING WALLS SHALL BE A SINGLE FLAT 2X4 OR 2X6 ATTACHED TO CRIPPLES ABOVE, UNLESS OTHERWISE NOTED.
 - TANKED WATER HEATER SHOWN AS BASE CONDITION, OPTIONAL TANKLESS WATER HEATER IS AVAILABLE IN LIEU OF TANKED WATER HEATER.

GYPSUM NOTES

AT GARAGE:
 GYPSUM BOARD AT COMMON WALLS, CEILINGS, BEAM WRAPS AND SUPPORTS PER STANDARD DETAIL FA-1(b) FIRE ASSEMBLIES OR AS REQUIRED BY LOCAL CODE.

AT STAIRS:
 1/2" GYPSUM BOARD AT UNDERSIDE OF STAIRS AND WALLS IN CLOSET



BASEMENT FLOOR PLAN
 SCALE: 1/4" = 1'-0"

SHEET NO. A-6	MODEL ALLEGHENY	SET NO. ALGOO	VERSION 01	DRAWN BY TN	DATE: 08/04/2017	OPTION
		DRAWING TITLE BASEMENT FLOOR PLAN				
OPTION DESCRIPTION 26		DIV-COMM-LOT-UNIT DCY-VG-L694				
		COMM-LOT VLGS OF WINDING CREEK WARR CO - L694				
		STREET ADDRESS 2299 COLD STREAM DR				
		CITY CENTERVILLE				
		STATE OH				
		ZIP 45459				
		APT. NO. N				

© NVR, Inc. expressly reserves the copyright and all other rights in these plans. These plans are not to be reproduced, changed or copied in any form without the written consent of NVR, Inc.

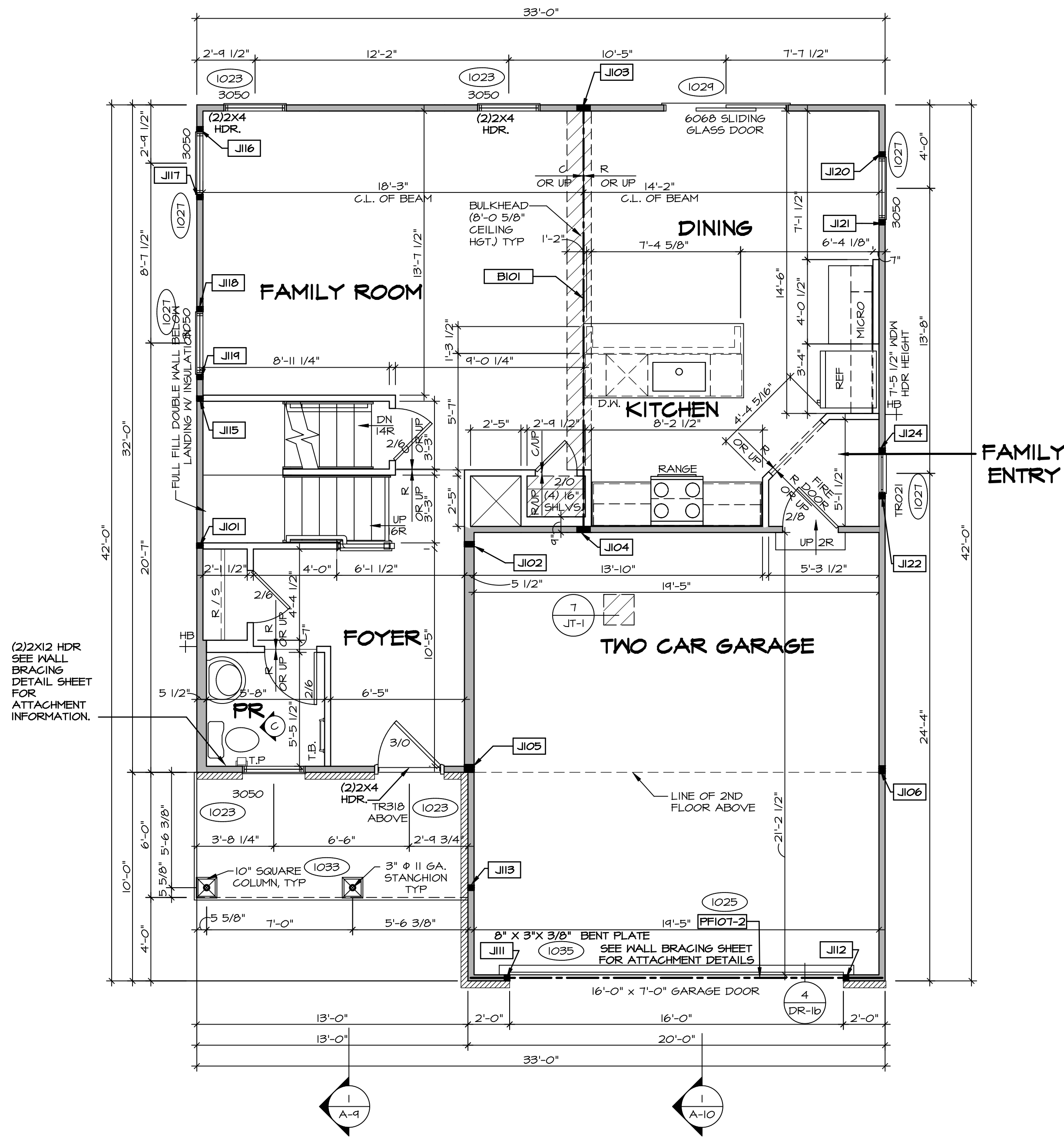
NVR
 NVR, Inc. Suite 100
 Frederick, MD 21703

5285 Westview ALLEGHENY_ALGOO_01\DCY-VG-L694-2395464\Sheets\Lot_Specifications A-6 BSMT_LS.dwg 09/23/21 12:17 pm

FIRST FLOOR JACK SCHEDULE				
IDENTIFIER	DESCRIPTION	ENG. NUM.	REMARKS	
J101	JACK - (2) 2X4 SFF STUD GRADE	1004		
J102	JACK - (2) 2X6 SFF STUD GRADE	1004		
J103	JACK - (3) 2X4 SFF	1008		
J104	JACK - (3) 2X4 SFF	1008		
J105	JACK - (3) 2X6 SFF	1010		
J106	JACK - (3) 2X4 SFF	1010		
J111	JACK - (2) 2X4 SFF STUD GRADE	1025		
J112	JACK - (2) 2X4 SFF STUD GRADE	1025		
J113	JACK - (2) 2X4 SFF STUD GRADE	1033		
J115	JACK - (2) 2X4 SFF STUD GRADE	1006		
J116	JACK - (2) 2X4 SFF STUD GRADE	1027		
J117	JACK - (2) 2X4 SFF STUD GRADE	1027		
J118	JACK - (2) 2X4 SFF STUD GRADE	1027		
J119	JACK - (2) 2X4 SFF STUD GRADE	1021		
J120	JACK - (2) 2X4 SFF STUD GRADE	1027		
J121	JACK - (2) 2X4 SFF STUD GRADE	1027		
J122	JACK - (2) 2X4 SFF STUD GRADE	1027		
J124	JACK - (2) 2X4 SFF STUD GRADE	1027		

FIELD INSTALLED FIRST FLOOR BEAM/HEADER SCHEDULE				
IDENTIFIER	DESCRIPTION	LENGTH	ENG. NUM.	REMARKS
B101	BEAM STEEL - W10X30	20'-6"	1008	
PFI07-2	LVL 1.75 - 11-04	11'-4"	1025	2-PLY, I.A. PORTAL FRAME

STEEL COLUMN SCHEDULE				
IDENTIFIER	STYLE	HEIGHT	ENG. NUM.	REMARKS



FIRST FLOOR PLAN
SCALE: 1/4" = 1'-0"

LEGEND	
	BEARING WALL
	NON BEARING WALL
	INDICATES BEARING FROM POINT-LOAD ABOVE
	JACKS
	BEAM/HEADER
	PAD FOOTING
	STEEL COLUMN
	PORTAL FRAME
	JOIST/TRUSS
	LVL
	ENGINEERING PAGE NUMBER

SEE FC DETAILS FOR FRAMING CONNECTORS

- FLOOR PLAN NOTES** RYAN
- ALL HEADERS ARE (2) 2x6 w/ 2x4 WALLS OR (3) 2x6 w/ 2x6 WALLS, UNLESS OTHERWISE NOTED.
 - ALL HEADERS TO HAVE (1) 2x4 OR 2x6 JACK AND KING STUD EACH END, UNLESS OTHERWISE NOTED.
 - ALL EXTERIOR WALLS TO BE 4" w/ OSB OR 3 1/2" w/ LAMINATED FIBROUS STRUCTURAL SHEATHING, ALL INTERIOR WALLS TO BE 3 1/2", UNLESS OTHERWISE NOTED.
 - HATCHED AREAS INDICATE DROPPED CEILINGS. ALL DROPPED CEILINGS ARE 12" UNLESS OTHERWISE NOTED.
 - SEE "BRACED WALL PANEL DETAIL SHEET" FOR SPECIAL WALL FRAMING LOCATIONS AND HEADER SIZES, IF APPLICABLE.
 - SEE STANDARD DETAIL CATEGORY "1T" SHEET(S) FOR INTERIOR TRIM DETAILS.
 - SEE ARCHITECTURAL DETAIL SHEET "AD" FOR HOUSE SPECIFIC INTERIOR TRIM OPTION TABLE.
 - ALL WINDOWS HAVE 7'-0 1/2" HEADER HEIGHT UNLESS OTHERWISE NOTED.
 - ALL HEADERS IN NON-BEARING WALLS SHALL BE A SINGLE FLAT 2X4 OR 2X6 ATTACHED TO GRIPPLIES ABOVE, UNLESS OTHERWISE NOTED.
 - TANKED WATER HEATER SHOWN AS BASE CONDITION, OPTIONAL TANKLESS WATER HEATER IS AVAILABLE IN LIEU OF TANKED WATER HEATER.

- GYPSUM NOTES**
- AT GARAGE:
GYPSUM BOARD AT COMMON WALLS, CEILINGS, BEAM WRAPS AND SUPPORTS PER STANDARD DETAIL FA-1(b) FIRE ASSEMBLIES OR AS REQUIRED BY LOCAL CODE.
- AT STAIRS:
1/2" GYPSUM BOARD AT UNDERSIDE OF STAIRS AND WALLS IN CLOSET

DCY-VG-L694

COMMITTEE: VLGES OF MINDING CREEK WARR CO - L694

STREET ADDRESS: 2255 COLD STREAM DR

CITY: CENTERVILLE

STATE: OH

ZIP: 45459

APR. NO. N

DATE: 08/10/2017

OPTION

MODEL: ALLEGHENY

DRAWING TITLE: FIRST FLOOR PLAN

OPTION DESCRIPTION

SHEET NO. A-7

28

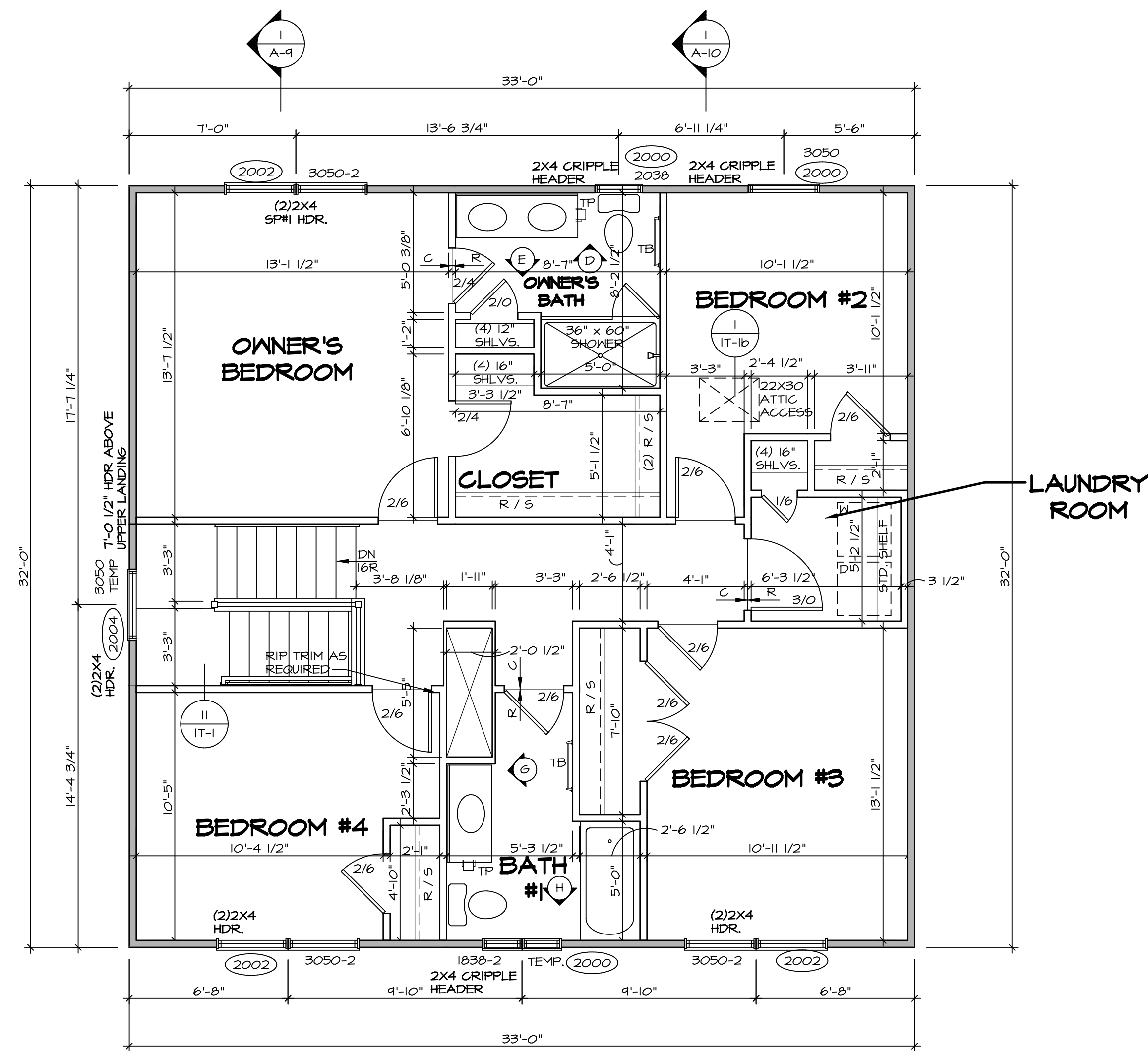
© NVR, Inc. expressly reserves the right to modify these plans without notice. These plans are not to be reproduced, changed or altered in any way without the written consent of NVR, Inc.

NVR

NVR, Inc. Suite 100
5285 Washington Blvd
Frederick, MD 21703

SET NO. ALGOO
VERSION 01
DRAWN BY YON
DATE: 08/10/2017
OPTION

C:\NVR\Solves\ALLEGHENY_ALGOO_01\DCY-VG-L694\285456A\Sheets\1st_Spec\1A-7_PLN1_US.dwg 08/23/21 - 12:17 pm



SECOND FLOOR PLAN
SCALE: 1/4" = 1'-0"

LEGEND	
	BEARING WALL
	NON BEARING WALL
	INDICATES BEARING FROM POINT-LOAD ABOVE
	JACKS
	BEAM/HEADER
	PAD FOOTING
	STEEL COLUMN
	PORTAL FRAME
	JOIST/TRUSS
	LVL
	ENGINEERING PAGE NUMBER

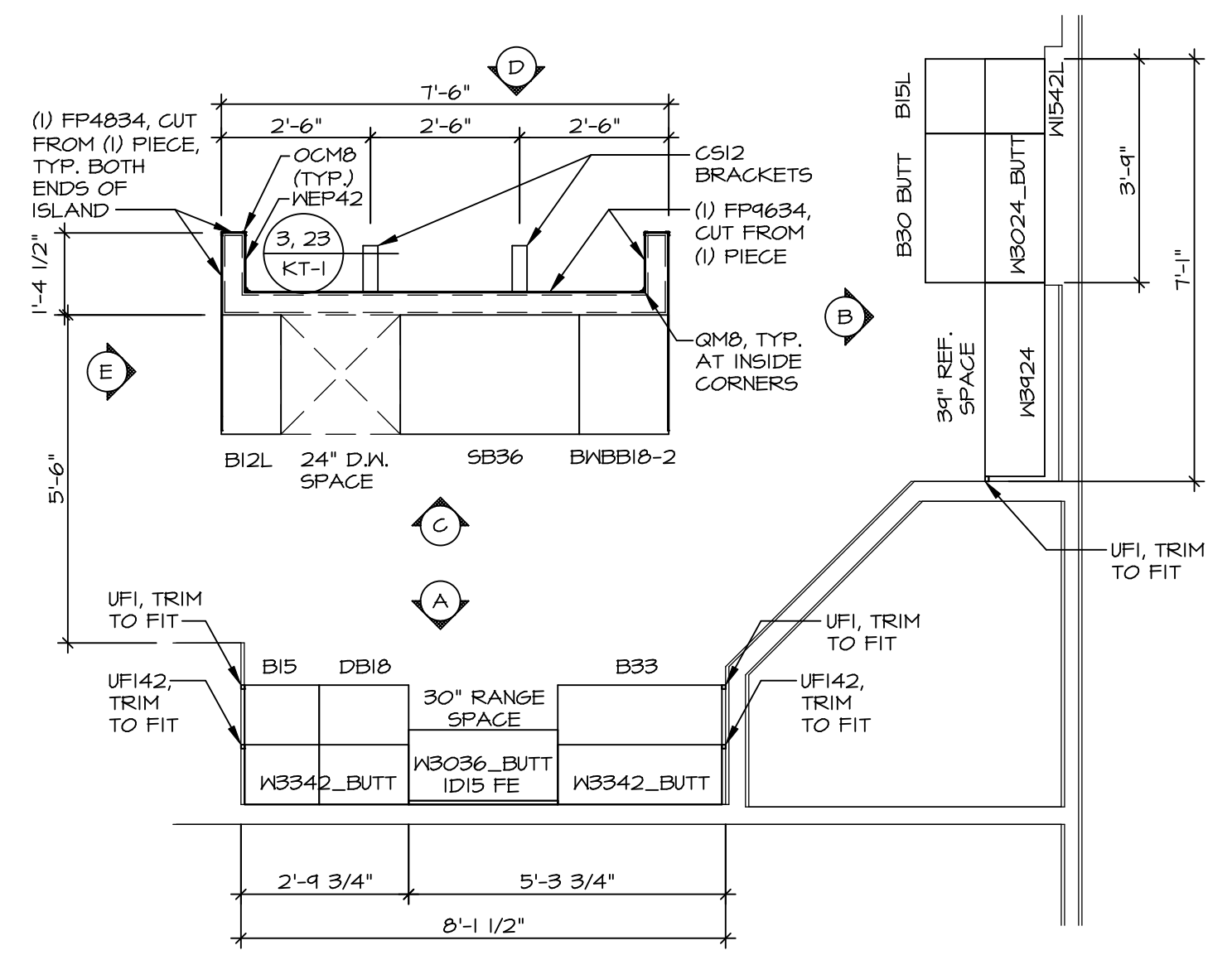
SEE FC DETAILS FOR FRAMING CONNECTORS

- FLOOR PLAN NOTES** RYAN
- ALL HEADERS ARE (2) 2x6 w/ 2x4 WALLS OR (3) 2x6 w/ 2x6 WALLS, UNLESS OTHERWISE NOTED.
 - ALL HEADERS TO HAVE (1) 2x4 OR 2x6 JACK AND KING STUD EACH END, UNLESS OTHERWISE NOTED.
 - ALL EXTERIOR WALLS TO BE 4" w/ OSB OR 3 1/2" w/ T-PLY, ALL INTERIOR WALLS TO BE 3 1/2", UNLESS OTHERWISE NOTED.
 - HATCHED AREAS INDICATE DROPPED CEILINGS. ALL DROPPED CEILINGS ARE 12" UNLESS OTHERWISE NOTED.
 - SEE "BRACED WALL PANEL DETAIL SHEET" FOR SPECIAL WALL FRAMING LOCATIONS AND HEADER SIZES, IF APPLICABLE.
 - SEE STANDARD DETAIL CATEGORY "1T" SHEET(S) FOR INTERIOR TRIM DETAILS.
 - SEE ARCHITECTURAL DETAIL SHEET "AD" FOR HOUSE SPECIFIC INTERIOR TRIM OPTION TABLE.
 - ALL WINDOWS HAVE 7'-0" 1/2" HEADER HEIGHT UNLESS OTHERWISE NOTED.
 - ALL HEADERS IN NON-BEARING WALLS SHALL BE A SINGLE FLAT 2x4 OR 2x6 ATTACHED TO CRIPPLES ABOVE, UNLESS OTHERWISE NOTED.
 - TANKED WATER HEATER SHOWN AS BASE CONDITION, OPTIONAL TANKLESS WATER HEATER IS AVAILABLE IN LIEU OF TANKED WATER HEATER.

- GYPSUM NOTES**
- AT GARAGE:
GYPSUM BOARD AT COMMON WALLS, CEILINGS, BEAM WRAPS AND SUPPORTS PER STANDARD DETAIL FA-1(b) FIRE ASSEMBLIES OR AS REQUIRED BY LOCAL CODE.
- AT STAIRS:
1/2" GYPSUM BOARD AT UNDERSIDE OF STAIRS AND WALLS IN CLOSET

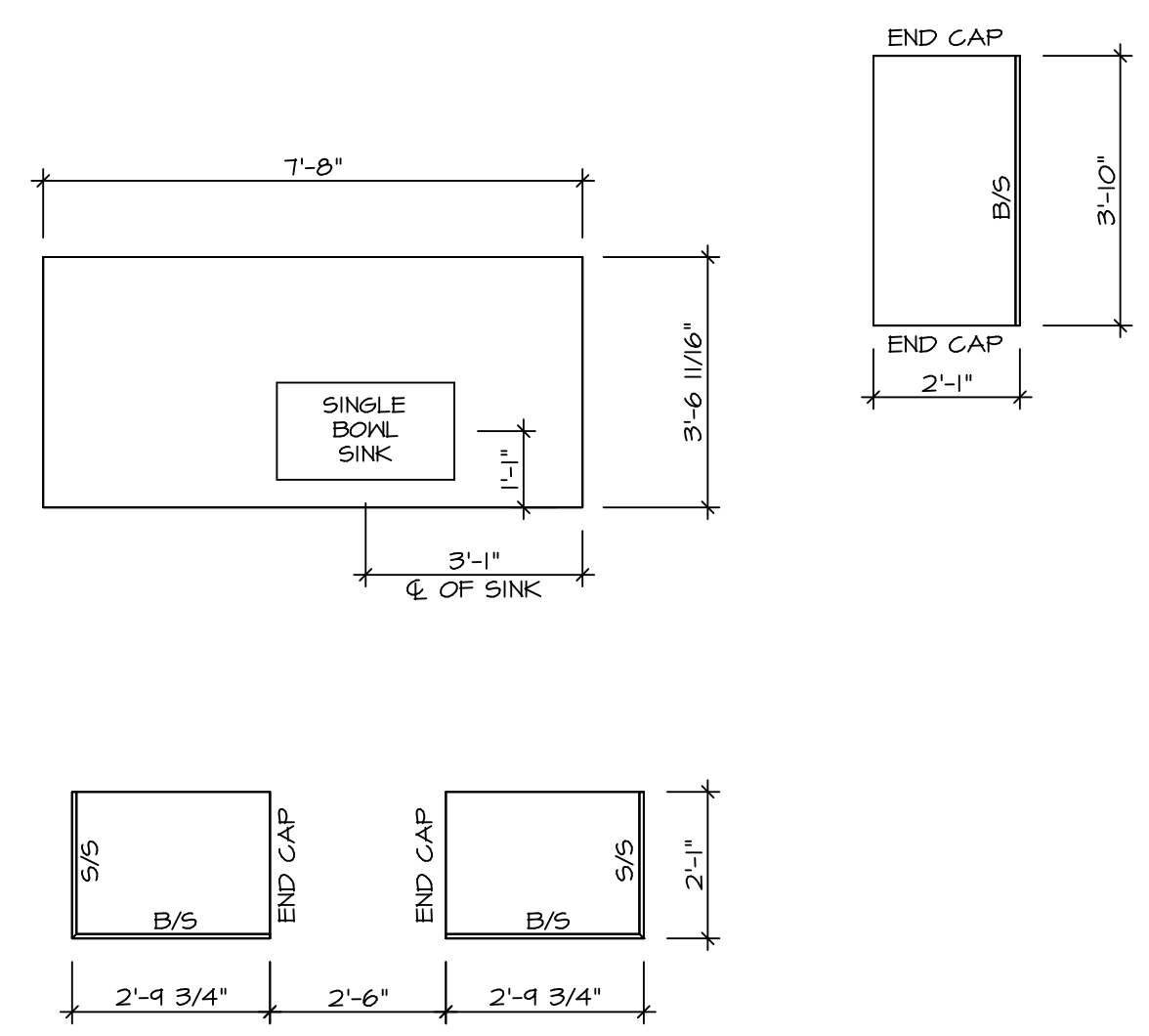
SHEET NO. A-8 31	MODEL ALLEGHENY DRAWING TITLE SECOND FLOOR PLAN OPTION DESCRIPTION	SET NO. ALGOO VERSION 01 DRAWN BY YON DATE: 08/10/2017 OPTION	DIV-COMM-LOT-UNIT DCY-VG-L694 COMM-LOT VILLES OF WINDING CREEK WARR CO - L694 STREET ADDRESS 2255 COLD STREAM DR CITY CENTERVILLE STATE OH ZIP 45458
© NVR, Inc. expressly reserves the right to modify or amend these plans at any time without notice. These plans are not to be reproduced, changed or altered in any way without the written consent of NVR, Inc.			
C:\NVR\Solves\ALLEGHENY_ALGOO_01\DCY-VG-L694-L694\235546A\Sheets\Lot_Specific\A-8_A-8_PLN2_US.dwg 08/23/17 12:17 pm			

- NOTES:**
- CABINET LAYOUT (S) ARE BASED ON FINISHED DIMENSIONS TO DRYWALL.
 - IF KITCHEN PLANS/ELEVATIONS CALL-OUT STANDARD MOLDING, REFER TO STANDARD DETAIL (1)KT-1 FOR REPLACEMENT BASED ON CABINET STYLE.
 - ALL (U#) FILLERS ARE TO BE "TRIM TO FIT" UNLESS OTHERWISE NOTED.
 - CABINET MUST BE SET, SHIMMED, LEVELED AND PLUMB W/ ADJOINING BASE CABINETS.
 - SET PRE-FINISHED SCRIBE MOLDING AT CABINET BULKHEADS AND AT ENDS (WHERE CABINETS MEET DRYWALL) PRE-FINISHED SCRIBE MOLDING SHALL BE USED TO PAD OUT CABINET SIDES AT STILE FOR RETURN PIECES OF THE FACE-MOUNTED CABINET CROWN MOLDING.
 - HARDWARE INSTALL NOTE: KNOBS GO ON DOORS AND DRAWERS FOR ALL AREAS, ALL DRAWER FRONTS AND DOORS GET (1) KNOB/PULL, NO HARDWARE ON FALSE DRAWER FRONTS.



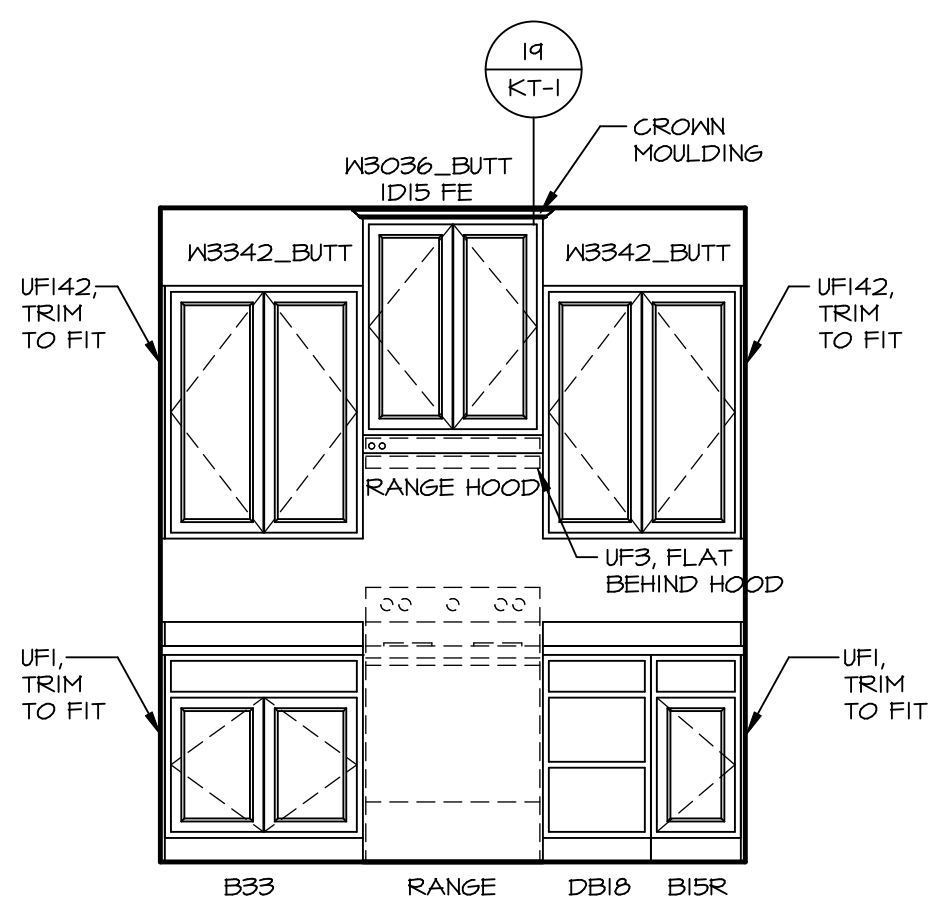
KITCHEN CABINET PLAN KC - 3489TC

1
A-12 SCALE: 3/8" = 1'-0"

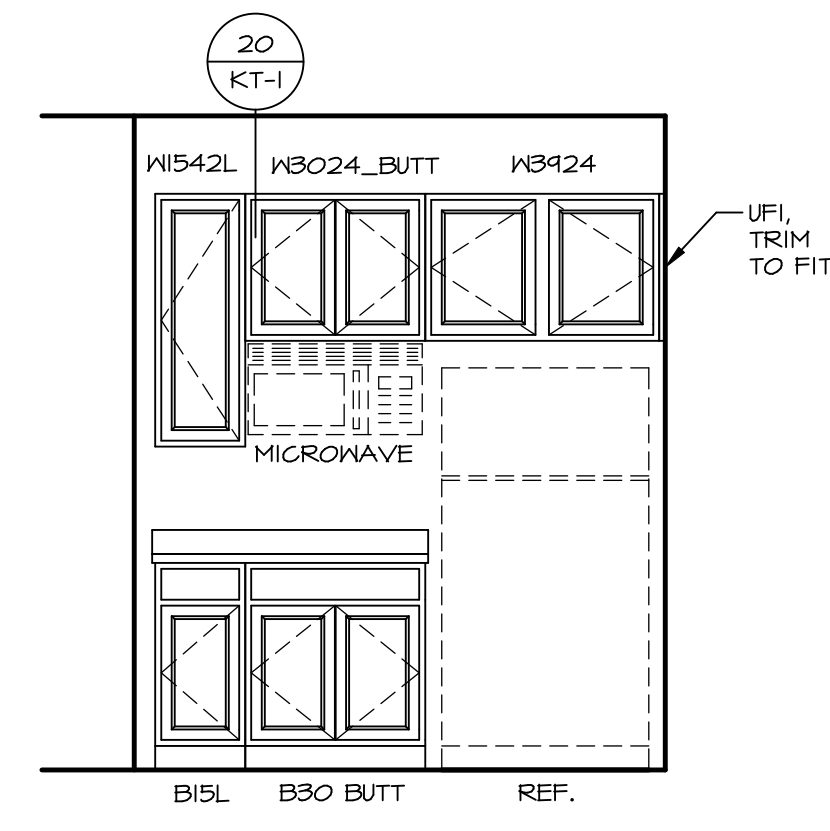


KITCHEN COUNTERTOP PLAN KC - 3489TC

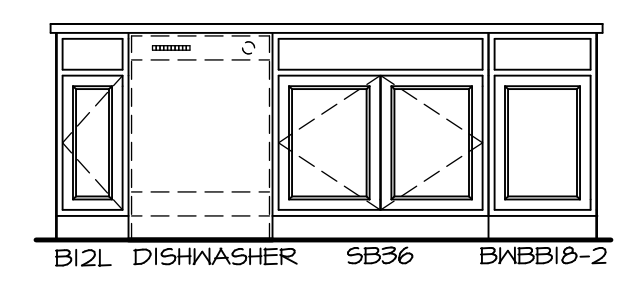
2
A-12 SCALE: 3/8" = 1'-0"



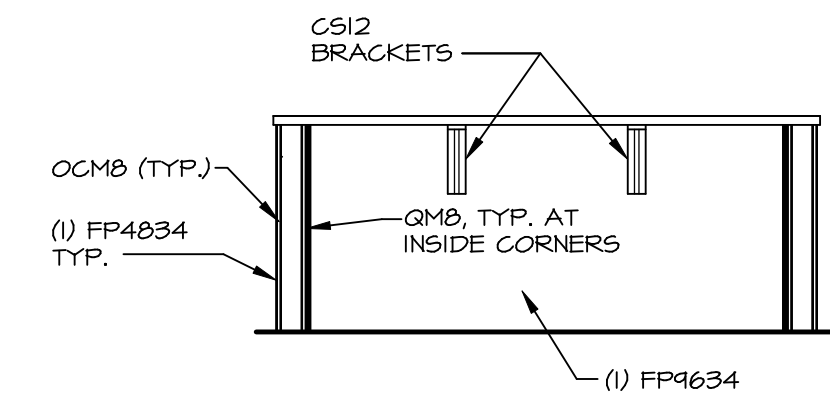
A ELEVATION "A"
SCALE: 3/8" = 1'-0"



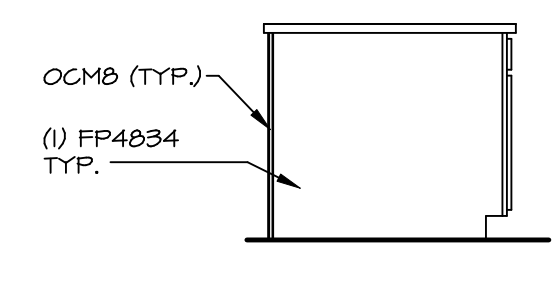
B ELEVATION "B"
SCALE: 3/8" = 1'-0"



C ELEVATION "C"
SCALE: 3/8" = 1'-0"

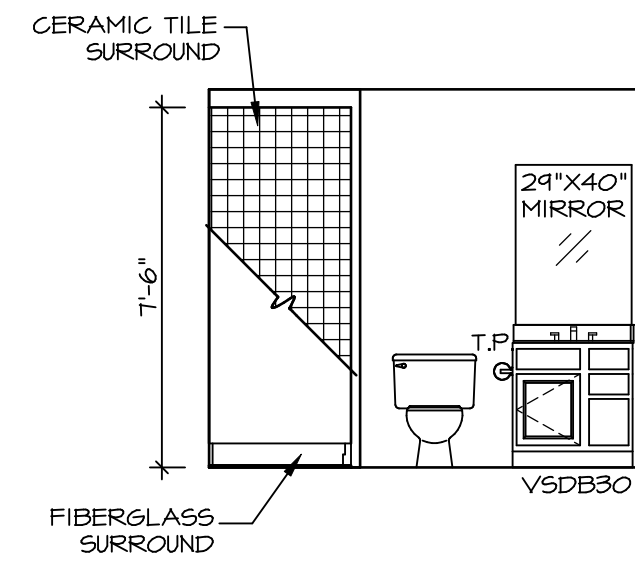


D ELEVATION "D"
SCALE: 3/8" = 1'-0"

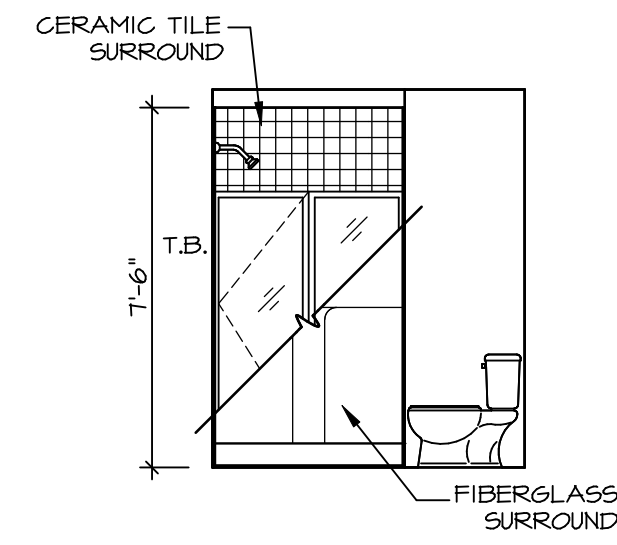


E ELEVATION "E"
SCALE: 3/8" = 1'-0"

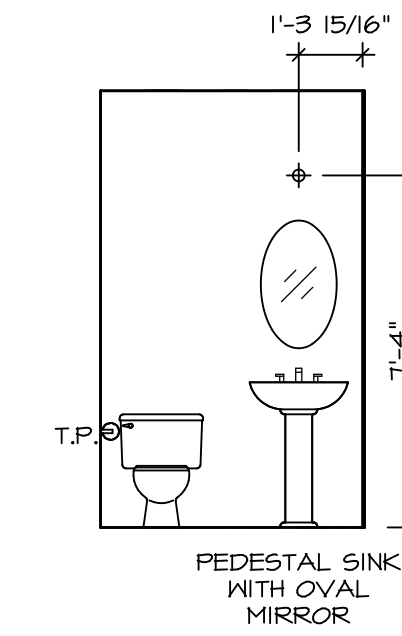
<p>DCY-VG-L694</p> <p>BIV-COMM-LOT-UNIT</p>	
<p>COMM-LOT</p> <p>VILGE OF WINDING CREEK WARR CO - L694</p>	<p>APT. NO.</p> <p>N</p>
<p>STREET ADDRESS</p> <p>2255 COLD STREAM DR</p>	<p>CITY</p> <p>CENTERVILLE</p>
<p>STATE</p> <p>OH</p>	<p>ZIP</p> <p>45459</p>
<p><small>© NVR, Inc. expressly reserves the right to modify these plans without notice. These plans are not to be reproduced, changed or altered in any way without the written consent of NVR, Inc.</small></p>	
<p>NVR</p> <p>NVR, Inc. Suite 100 5285 Washington Blvd. Frederick, MD 21703</p>	
<p>SET NO. ALGOO</p> <p>VERSION 01</p> <p>DRAWN BY KDH</p> <p>DATE: 8/3/17</p> <p>OPTION</p>	<p>SHEET NO.</p> <p>A-12</p>
<p>MODEL</p> <p>ALLEGHENY</p> <p>DRAWING TITLE</p> <p>KITCHEN PLANS</p>	<p>OPTION DESCRIPTION</p> <p>43</p>



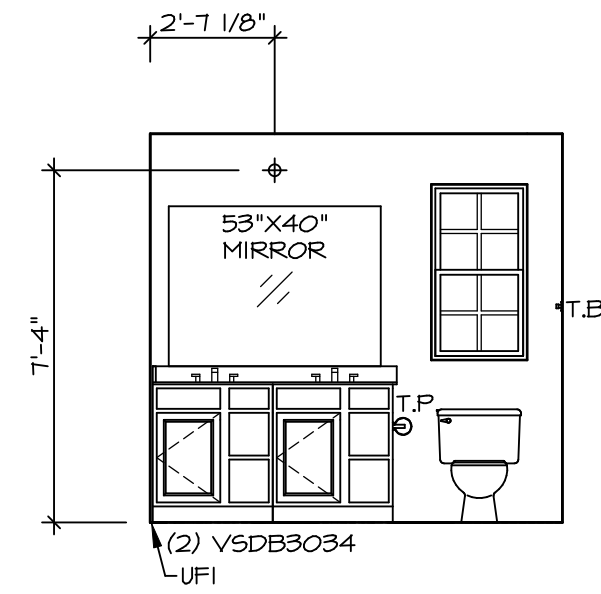
A BASEMENT BATH
SCALE: 1/4" = 1'-0"



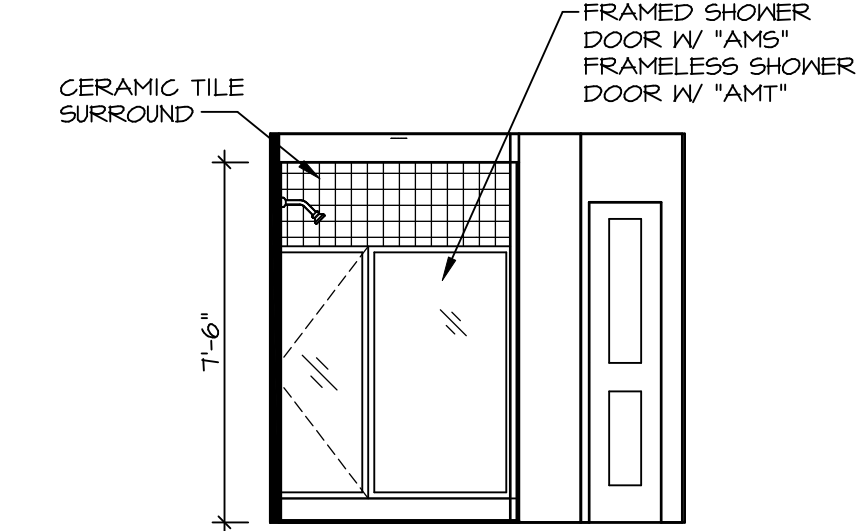
B BASEMENT BATH
SCALE: 1/4" = 1'-0"



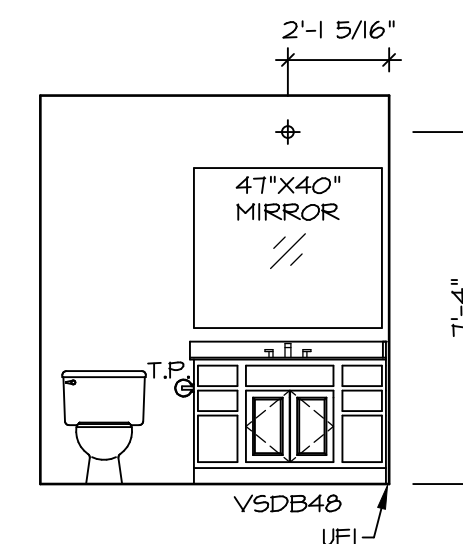
C POWDER ROOM
SCALE: 1/4" = 1'-0"



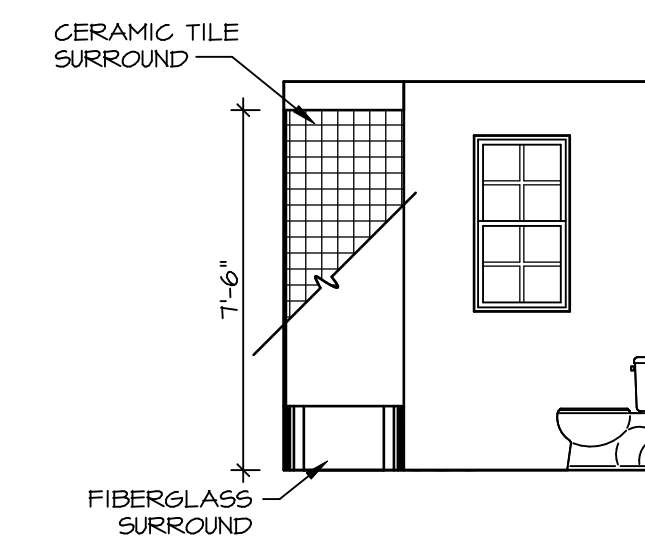
D OWNER'S BATH
SCALE: 1/4" = 1'-0"



E OWNER'S BATH
SCALE: 1/4" = 1'-0"



G BATH #1
SCALE: 1/4" = 1'-0"



H BATH #1
SCALE: 1/4" = 1'-0"

NOTES:

1. TEMPERED GLASS SHOWER ENCLOSURE WITH SWING DOOR OR OPTIONAL SLIDING DOOR BY DIVISION
2. TUB ACCESS PANELS PROVIDED AS NEEDED, ALL MATERIALS BY DIVISION
3. REFER TO SHEET IT-2 FOR TUB AND SHOWER DETAILS.
4. ALL V5DB24-42 DRAWERS TO BE SET ON RIGHT HAND.
5. ALL BATH ELEVATIONS ARE SHOWN PER PLAN.

SHEET NO. A-13	MODEL ALLEGHENY	SET NO. ALGOO	OPTION DESCRIPTION 44
	DRAWING TITLE BATH ELEVATIONS	VERSION 01	
	DRAWN BY YON	DATE: 4/8/17	
		OPTION	
DIV-COMM-LOT-UNIT DCY-VG-L694 COMM-LOT VLGES OF WINDING CREEK WARR CO - L694 STREET ADDRESS 2255 COLD STREAM DR CITY STATE OH ZIP CENTERVILLE OH 45450			
© NVR, Inc. expressly reserves the right to modify these plans without notice. In these plans, these plans are not to be reproduced, changed or altered in any way without the written consent of NVR, Inc.			
NVR, Inc. Suite 100 5285 Westpark Drive Frederick, MD 21703			
C:\NVR\Solves\ALLEGHENY_ALGOO_01\DCY-VG-L694\238546A\Sheets\44 A-13 BATH_LS.dwg 09/23/21 - 12:17 pm			