

PLUMBING PLAN
SCALE: 1/4" = 1'-0"

NOTE
RADON REMEDIATION
RADON LOOP:
- (4") PERFORATED HDPE "LOOP"
- MUST BE PLACED IN STONE BED SLIGHTLY HIGHER THAN ANY INTERIOR DRAINTILE
- LOOP TO BE SEPARATE FROM ANY DRAINTILE ELEMENTS
- TO BE CORRUGATED HDPE PIPE
- SCREENS TO BE INSTALLED THROUGH LOOP AT TEE UP INTO STACK
STACK REQUIREMENTS:
- 3" PVC STACK (4" IF BASEMENT IS GREATER THAN 2200 SQFT.)
- NO PART OF STACK IS TO BE HORIZONTAL
- PIPE TO BE PHYSICALLY LABELED IN THE FIELD AS "RADON VENT" OR OTHER JURISDICTIONALLY REQUIRED LANGUAGE (ON EVERY LEVEL OF HOUSE)
- ROOF TERMINATION TO BE IN TOP 1/3 OF ROOF
- SCREEN INSTALLED TO KEEP PESTS OUT OF RADON VENT AT ROOF TERMINATION

SHEET NO. A-5	MODEL ALLEGHENY	SET NO. AL600	OPTION 22
	DRAWING TITLE PLUMBING PLAN	VERSION 01 DRAWN BY TN DATE: 08/04/2017	
© NVR, Inc. expressly reserves the right to modify or amend these plans at any time without notice. These plans are not to be reproduced, changed or altered in any way without the written consent of NVR, Inc.		NVR, Inc. Suite 100 Frederick, MD 21703	
DIV-COMM-LOT-UNIT DCY-VG-L695 COMM-LOT VLGES OF MINDING CREEK WARR CO - L695 STREET ADDRESS 2244 COLD STREAM CITY CENTERVILLE STATE OH ZIP 45459		C:\NVR\Solves\ALLEGHENY_AL600_01\DCY-VG-L695-2436855A\Sheets\Lot_Specific\22_A-5_PLUMB_LS.dwg 17/08/21 - 8:44 pm	

LEGEND	
	BEARING WALL
	NON BEARING WALL
	INDICATES BEARING FROM POINT-LOAD ABOVE
	JACKS
	BEAM/HEADER
	PAD FOOTING
	STEEL COLUMN
	PORTAL FRAME
	JOIST/TRUSS
	LVL
	ENGINEERING PAGE NUMBER

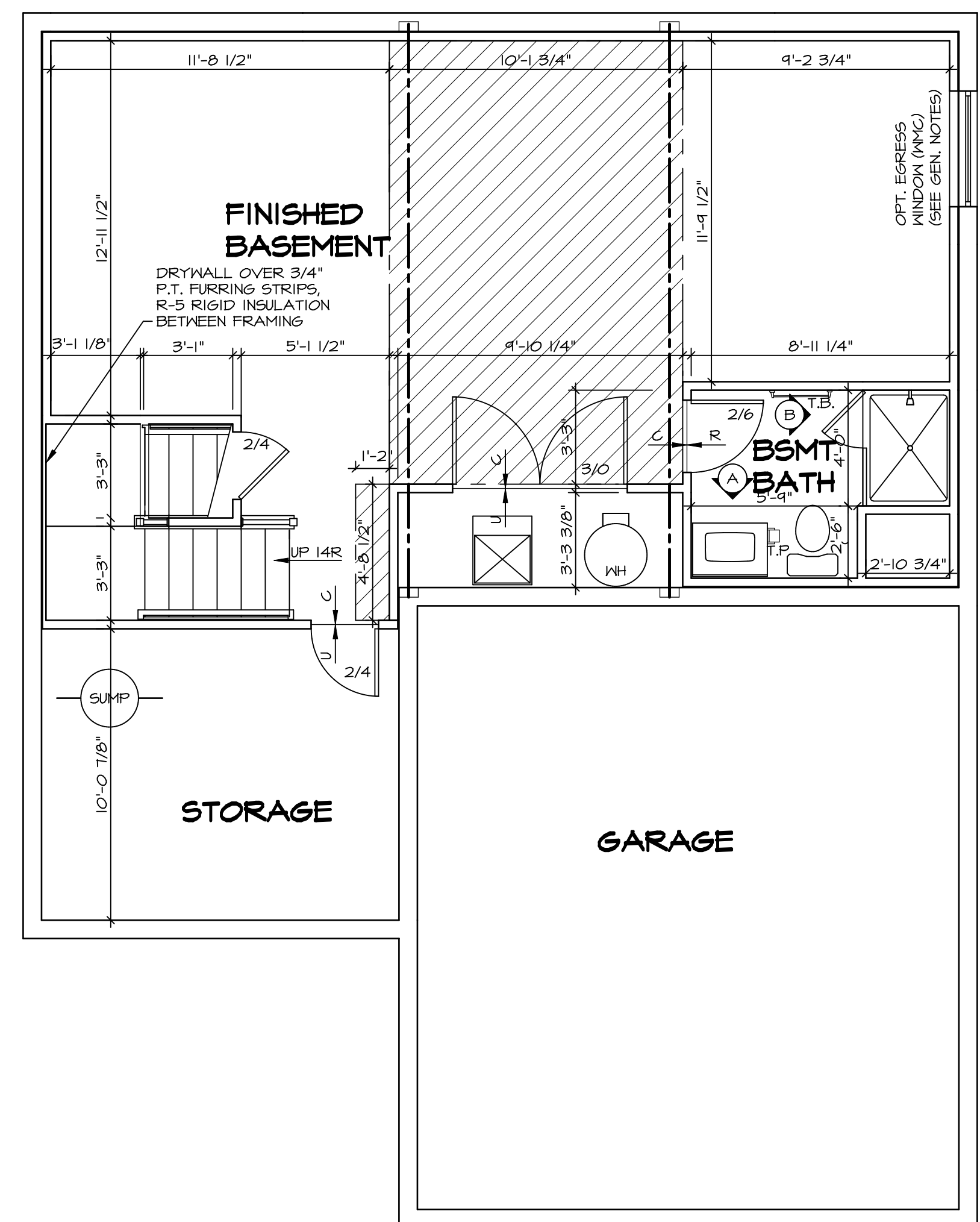
SEE FC DETAILS FOR FRAMING CONNECTORS

- FLOOR PLAN NOTES**
- ALL HEADERS ARE (2) 2x6 w/ 2x4 WALLS OR (3) 2x6 w/ 2x6 WALLS, UNLESS OTHERWISE NOTED.
 - ALL HEADERS TO HAVE (1) 2x4 OR 2x6 JACK AND KING STUD EACH END, UNLESS OTHERWISE NOTED.
 - ALL EXTERIOR WALLS TO BE 4" w/ OSB OR 3 1/2" w/ T-PLY, ALL INTERIOR WALLS TO BE 3 1/2", UNLESS OTHERWISE NOTED.
 - HATCHED AREAS INDICATE DROPPED CEILINGS. ALL DROPPED CEILINGS ARE 12" UNLESS OTHERWISE NOTED.
 - SEE "BRACED WALL PANEL DETAIL SHEET" FOR SPECIAL WALL FRAMING LOCATIONS AND HEADER SIZES, IF APPLICABLE.
 - SEE STANDARD DETAIL CATEGORY "IT" SHEET(S) FOR INTERIOR TRIM DETAILS.
 - SEE ARCHITECTURAL DETAIL SHEET "AD" FOR HOUSE SPECIFIC INTERIOR TRIM OPTION TABLE.
 - ALL WINDOWS HAVE 7'-0" 1/2" HEADER HEIGHT UNLESS OTHERWISE NOTED.
 - ALL HEADERS IN NON-BEARING WALLS SHALL BE A SINGLE FLAT 2X4 OR 2X6 ATTACHED TO CRIPPLES ABOVE, UNLESS OTHERWISE NOTED.
 - TANKED WATER HEATER SHOWN AS BASE CONDITION, OPTIONAL TANKLESS WATER HEATER IS AVAILABLE IN LIEU OF TANKED WATER HEATER.

GYPSUM NOTES

AT GARAGE:
GYPSUM BOARD AT COMMON WALLS, CEILINGS, BEAM WRAPS AND SUPPORTS PER STANDARD DETAIL FA-1(b) FIRE ASSEMBLIES OR AS REQUIRED BY LOCAL CODE.

AT STAIRS:
1/2" GYPSUM BOARD AT UNDERSIDE OF STAIRS AND WALLS IN CLOSET



BASEMENT FLOOR PLAN

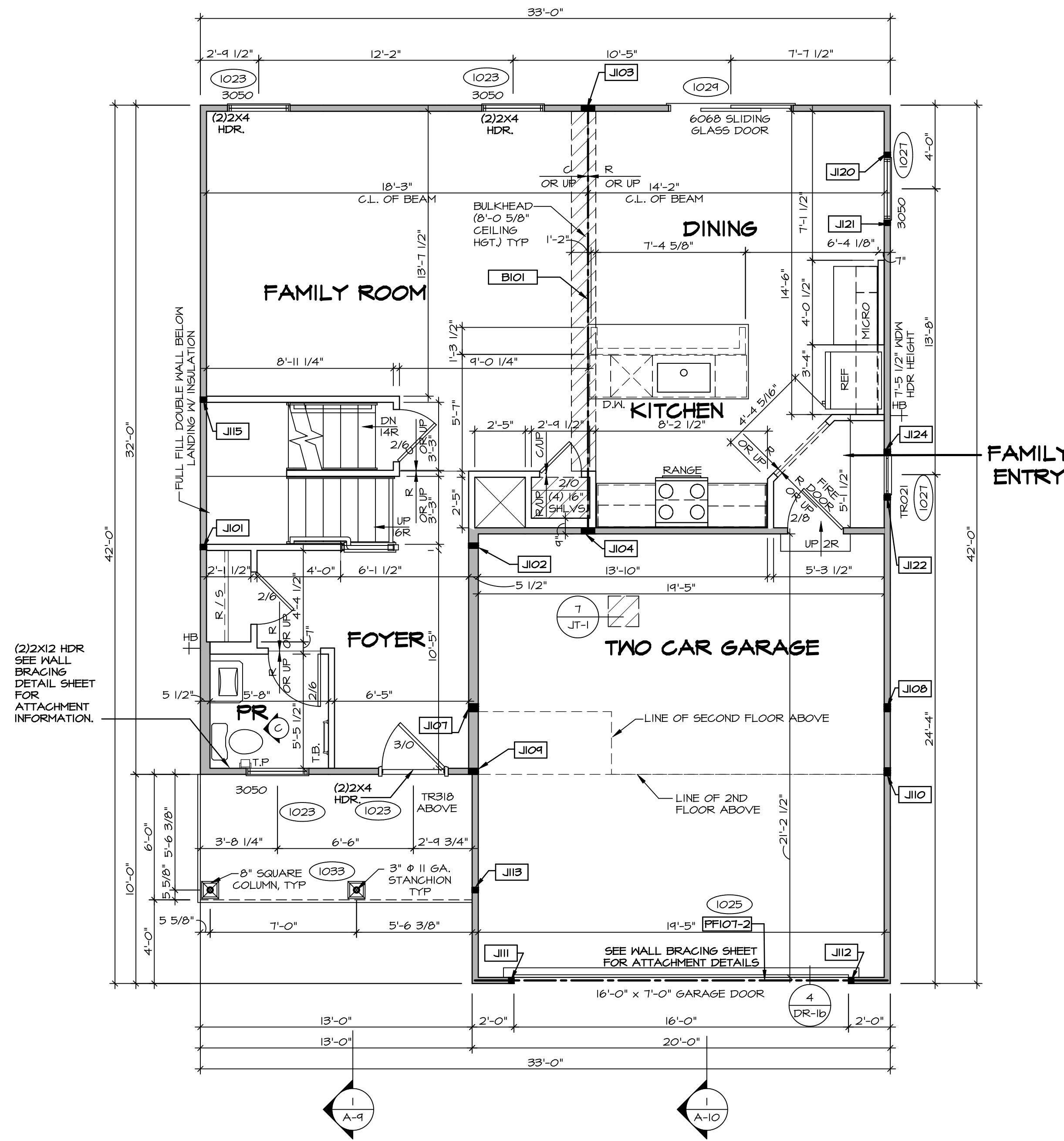
SCALE: 1/4" = 1'-0"

SHEET NO. A-6	MODEL ALLEGHENY	SET NO. ALGOO	VERSION 01
	DRAWING TITLE BASEMENT FLOOR PLAN	DRAWN BY TN	
26	OPTION DESCRIPTION	DATE: 08/04/2017	OPTION
 <small>NVR, Inc. Suite 100 Frederick, MD 21703</small>			
<small>© NVR, Inc. expressly reserves the right to modify or amend these plans at any time without notice. These plans are not to be reproduced, changed or altered in any way without the written consent of NVR, Inc.</small>			
DCY-VG-L695 <small>DIV-COMM-LOT-UNIT COMM-LOT VILLES OF WINDING CREEK WARR CO - L695 STREET ADDRESS 2244 COLD STREAM CITY STATE ZIP CENTERVILLE OH 45459</small>			

FIRST FLOOR JACK SCHEDULE				
IDENTIFIER	DESCRIPTION	ENG. NUM.	REMARKS	
J101	JACK - (2) 2X4 SFF STUD GRADE	1004		
J102	JACK - (2) 2X6 SFF STUD GRADE	1004		
J103	JACK - (3) 2X4 SFF#1	1008		
J104	JACK - (3) 2X4 SFF#1	1008		
J107	JACK - (3) 2X6 SFF #2	1014		
J108	JACK - (3) 2X4 SFF STUD GRADE	1014		
J109	JACK - (2) 2X6 SFF STUD GRADE	1016		
J110	JACK - (3) 2X4 SFF STUD GRADE	1016		
J111	JACK - (2) 2X4 SFF STUD GRADE	1025		
J112	JACK - (2) 2X4 SFF STUD GRADE	1025		
J113	JACK - (2) 2X4 SFF STUD GRADE	1033		
J115	JACK - (2) 2X4 SFF STUD GRADE	1006		
J120	JACK - (2) 2X4 SFF STUD GRADE	1021		
J121	JACK - (2) 2X4 SFF STUD GRADE	1021		
J122	JACK - (2) 2X4 SFF STUD GRADE	1021		
J124	JACK - (2) 2X4 SFF STUD GRADE	1021		

FIELD INSTALLED FIRST FLOOR BEAM/HEADER SCHEDULE				
IDENTIFIER	DESCRIPTION	LENGTH	ENG. NUM.	REMARKS
B101	BEAM STEEL - W10X30	20'-6"	1008	
PF101-2	LVL 1.75 - 11-04	19'-4"	1025	2-PLY, I.A. PORTAL FRAME

STEEL COLUMN SCHEDULE				
IDENTIFIER	STYLE	HEIGHT	ENG. NUM.	REMARKS



FIRST FLOOR PLAN
SCALE: 1/4" = 1'-0"

MODEL
ALLEGHENY

DRAWING TITLE
FIRST FLOOR PLAN

OPTION DESCRIPTION
OPTION

SET NO. ALG00
VERSION 01
DRAWN BY YON
DATE: 08/10/2017

SHEET NO. A-7
28

DCY-VG-L695

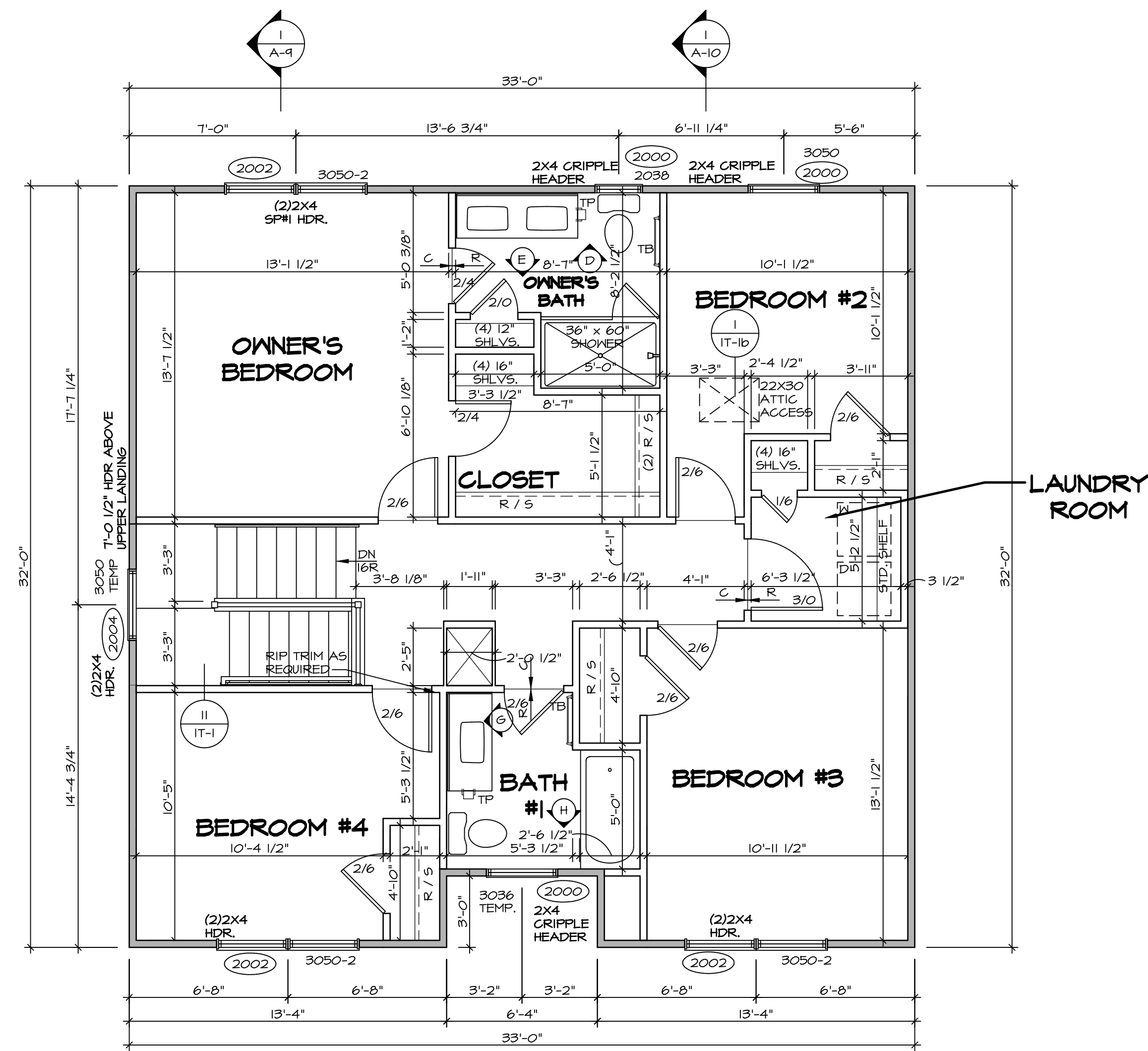
COMMIT
DCY-VG-L695

STREET ADDRESS
2244 COLD STREAM

CITY CENTERVILLE
STATE OH
ZIP 45458

APRT. NO. -----
STATE OH
ZIP 45458

DATE: 12/08/21
SCALE: 1/8" = 1'-0"



SECOND FLOOR PLAN
SCALE: 1/4" = 1'-0"

LEGEND

	BEARING WALL
	NON BEARING WALL
	INDICATES BEARING FROM POINT-LOAD ABOVE
	JACKS
	BEAM/HEADER
	PAD FOOTING
	STEEL COLUMN
	PORTAL FRAME
	JOIST/TRUSS
	LVL
	ENGINEERING PAGE NUMBER

SEE FC DETAILS FOR FRAMING CONNECTORS

- FLOOR PLAN NOTES** RYAN
- ALL HEADERS ARE (2) 2x6 w/ 2x4 WALLS OR (3) 2x6 w/ 2x6 WALLS, UNLESS OTHERWISE NOTED.
 - ALL HEADERS TO HAVE (1) 2x4 OR 2x6 JACK AND KING STUD EACH END, UNLESS OTHERWISE NOTED.
 - ALL EXTERIOR WALLS TO BE 4" w/ OSB OR 3 1/2" w/ T-PLY, ALL INTERIOR WALLS TO BE 3 1/2", UNLESS OTHERWISE NOTED.
 - HATCHED AREAS INDICATE DROPPED CEILINGS. ALL DROPPED CEILINGS ARE 12" UNLESS OTHERWISE NOTED.
 - SEE "BRACED WALL PANEL DETAIL SHEET" FOR SPECIAL WALL FRAMING LOCATIONS AND HEADER SIZES, IF APPLICABLE.
 - SEE STANDARD DETAIL CATEGORY "1T" SHEET(S) FOR INTERIOR TRIM DETAILS.
 - SEE ARCHITECTURAL DETAIL SHEET "AD" FOR HOUSE SPECIFIC INTERIOR TRIM OPTION TABLE.
 - ALL WINDOWS HAVE 7'-0" 1/2" HEADER HEIGHT UNLESS OTHERWISE NOTED.
 - ALL HEADERS IN NON-BEARING WALLS SHALL BE A SINGLE FLAT 2x4 OR 2x6 ATTACHED TO CRIPPLES ABOVE, UNLESS OTHERWISE NOTED.
 - TANKED WATER HEATER SHOWN AS BASE CONDITION, OPTIONAL TANKLESS WATER HEATER IS AVAILABLE IN LIEU OF TANKED WATER HEATER.

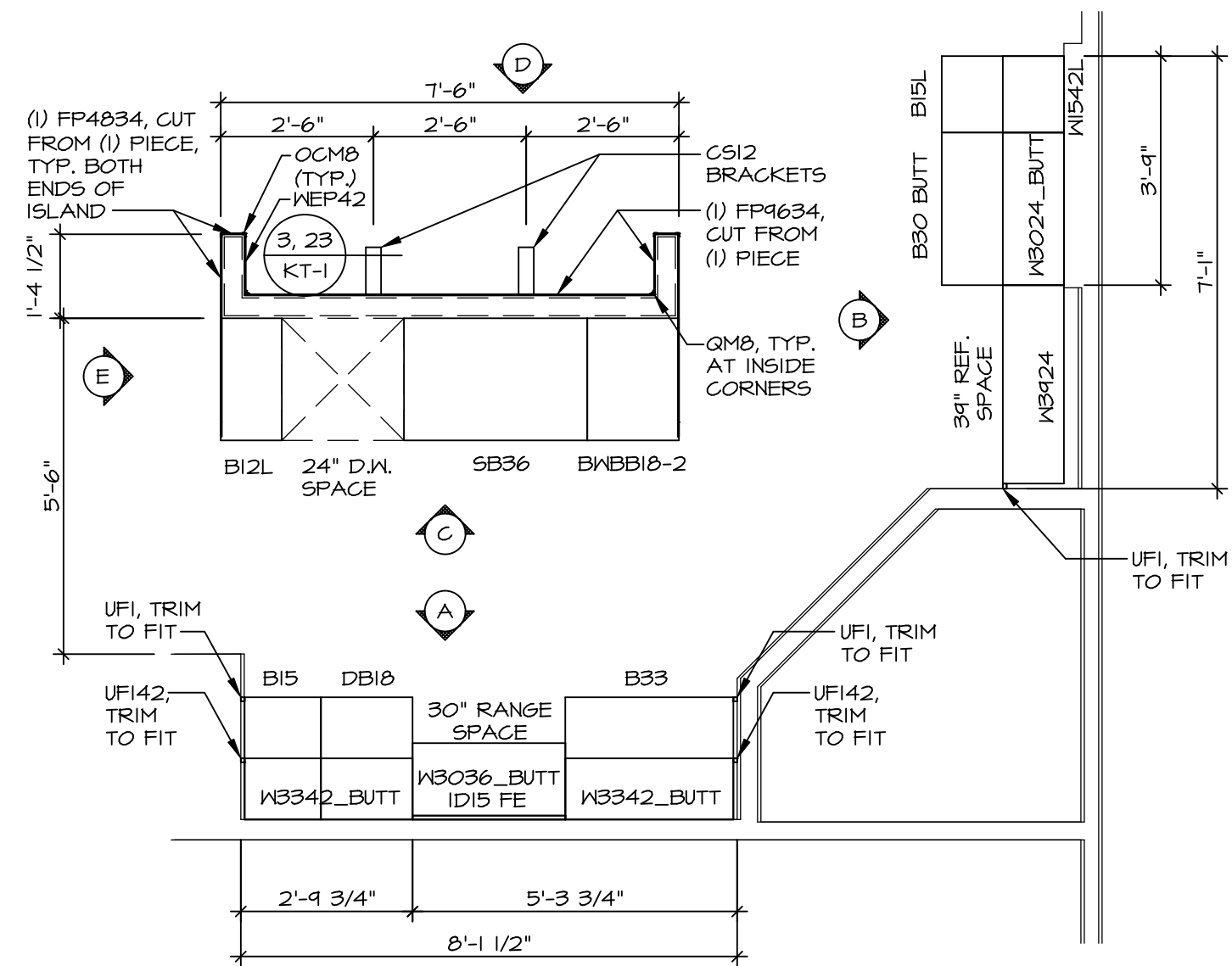
- GYPSUM NOTES**
- AT GARAGE:
GYPSUM BOARD AT COMMON WALLS, CEILINGS, BEAM WRAPS AND SUPPORTS PER STANDARD DETAIL FA-1(b) FIRE ASSEMBLIES OR AS REQUIRED BY LOCAL CODE.
- AT STAIRS:
1/2" GYPSUM BOARD AT UNDERSIDE OF STAIRS AND WALLS IN CLOSET

SHEET NO. A-8	MODEL ALLEGHENY	SET NO. ALGOO	VERSION 01
	DRAWING TITLE SECOND FLOOR PLAN	DRAWN BY YON	
	OPTION DESCRIPTION 31	DATE 08/10/2017	OPTION
NVR NVR, Inc. Suite 100 5285 Washington Blvd. Frederick, MD 21703		DCY-VG-L695 DIV-COMM-LOT-UNIT COMM-LOT VILLES OF WINDING CREEK WARR CO - L695 STREET ADDRESS 2244 COLD STREAM CITY STATE OH ZIP CENTERVILLE OH 45458	

© NVR, Inc. expressly reserves the right to modify or amend these plans at any time without notice. These plans are not to be reproduced, changed or altered in any way without the written consent of NVR, Inc.

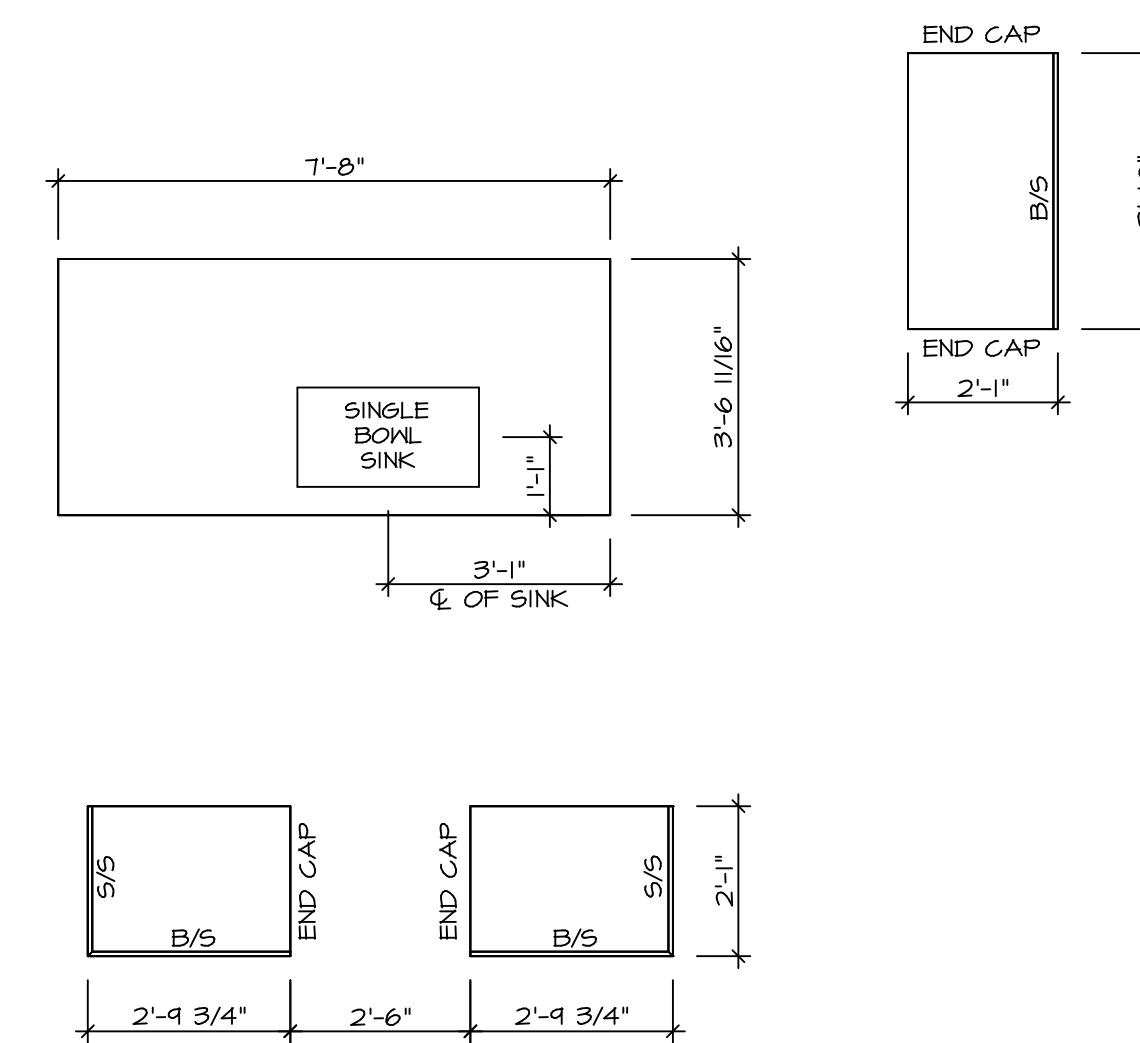
C:\NVR\Solves\ALLEGHENY_ALGOO_01\DCY-VG-L695-2436855\Sheets\Lot_Spec\A31_A-8_PLN2_US.dwg 17/08/21 - 8:45 pm

- NOTES:**
- CABINET LAYOUT (S) ARE BASED ON FINISHED DIMENSIONS TO DRYWALL.
 - IF KITCHEN PLANS/ELEVATIONS CALL-OUT STANDARD MOLDING, REFER TO STANDARD DETAIL (I/KT-1) FOR REPLACEMENT BASED ON CABINET STYLE.
 - ALL (U#) FILLERS ARE TO BE "TRIM TO FIT" UNLESS OTHERWISE NOTED.
 - CABINET MUST BE SET, SHIMMED, LEVELED AND PLUMB W/ ADJOINING BASE CABINETS.
 - SET PRE-FINISHED SCRIBE MOLDING AT CABINET BULKHEADS AND AT ENDS (WHERE CABINETS MEET DRYWALL) PRE-FINISHED SCRIBE MOLDING SHALL BE USED TO PAD OUT CABINET SIDES AT STILE FOR RETURN PIECES OF THE FACE-MOUNTED CABINET CROWN MOLDING.
 - HARDWARE INSTALL NOTE: KNOBS GO ON DOORS AND DRAWERS FOR ALL AREAS, ALL DRAWER FRONTS AND DOORS GET (I) KNOB/PULL. NO HARDWARE ON FALSE DRAWER FRONTS.



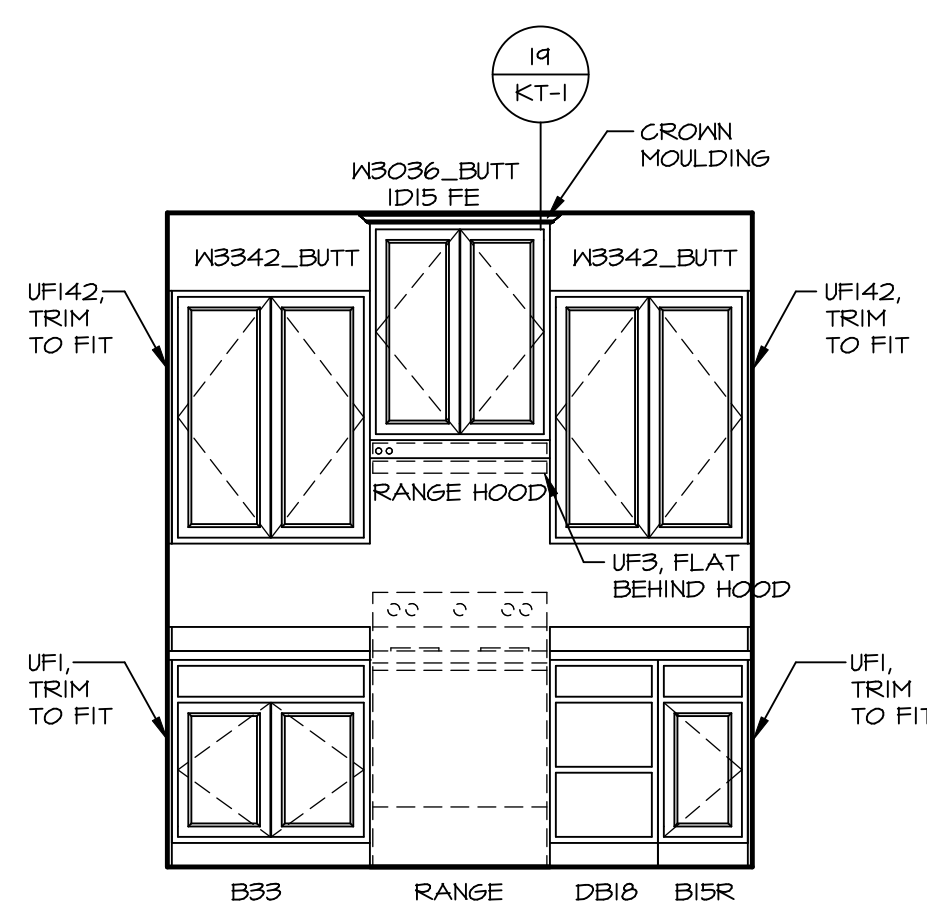
**KITCHEN CABINET
PLAN KC - 3489TC**

1
A-12 SCALE: 3/8" = 1'-0"

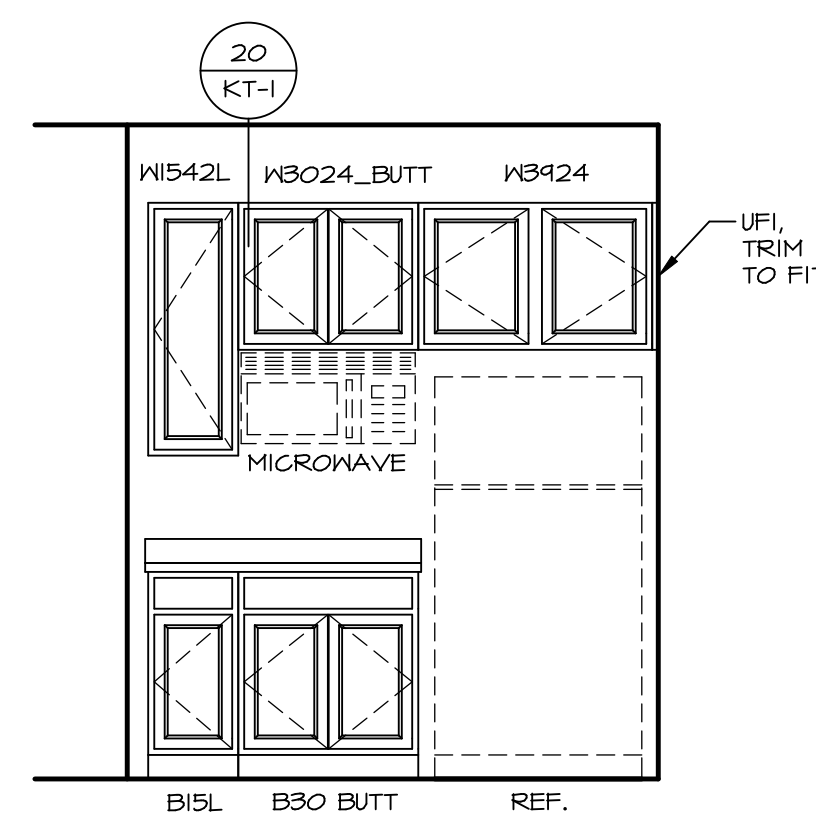


**KITCHEN COUNTERTOP
PLAN KC - 3489TC**

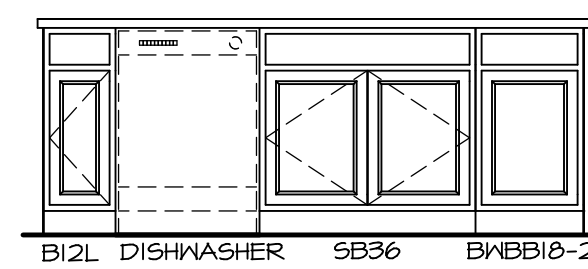
2
A-12 SCALE: 3/8" = 1'-0"



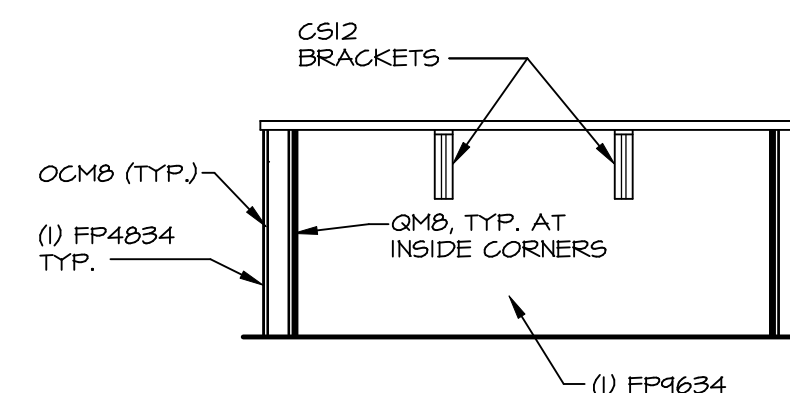
A ELEVATION "A"
SCALE: 3/8" = 1'-0"



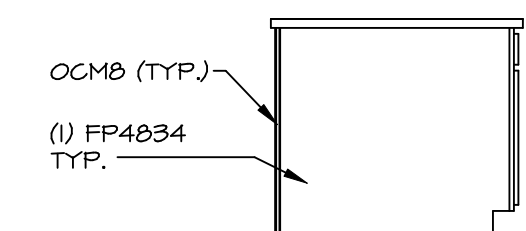
B ELEVATION "B"
SCALE: 3/8" = 1'-0"



C ELEVATION "C"
SCALE: 3/8" = 1'-0"



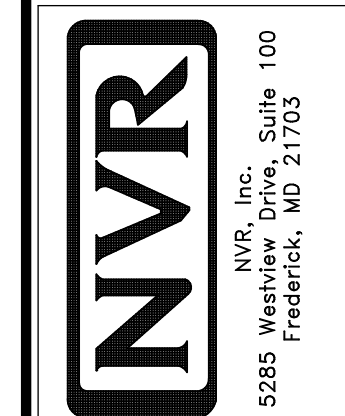
D ELEVATION "D"
SCALE: 3/8" = 1'-0"



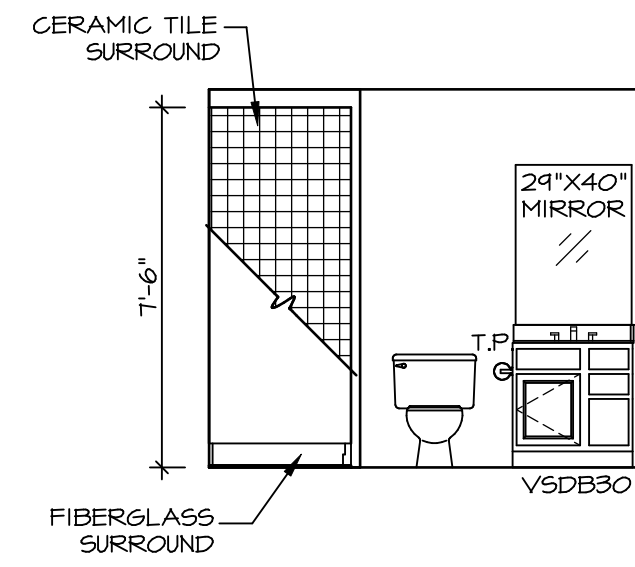
E ELEVATION "E"
SCALE: 3/8" = 1'-0"

SHEET NO. A-12	MODEL ALLEGHENY	SET NO. ALGOO	VERSION 01	DRAWN BY KDH	DATE: 8/3/17	OPTION
		DRAWING TITLE KITCHEN PLANS				
OPTION DESCRIPTION		DRAWING DESCRIPTION				
43		DRAWING DESCRIPTION				
DCY-VG-L695		BIV-COMM-LOT-UNIT				
VILGS OF KINDING CREEK WARR CO - L645		COMM-LOT				
2244 COLD STREAM		STREET ADDRESS				
CENTERVILLE		CITY				
OH		STATE				
45459		ZIP				

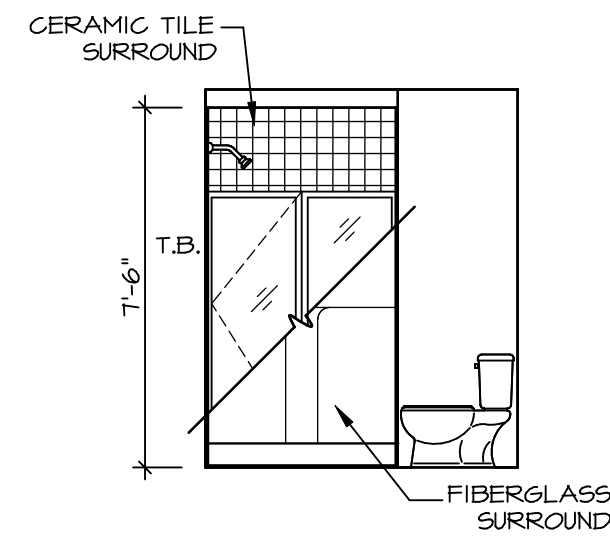
NVR, Inc. expressly reserves the right to modify or change these plans at any time without notice. These plans are not to be reproduced, changed or copied in any way without the written consent of NVR, Inc.



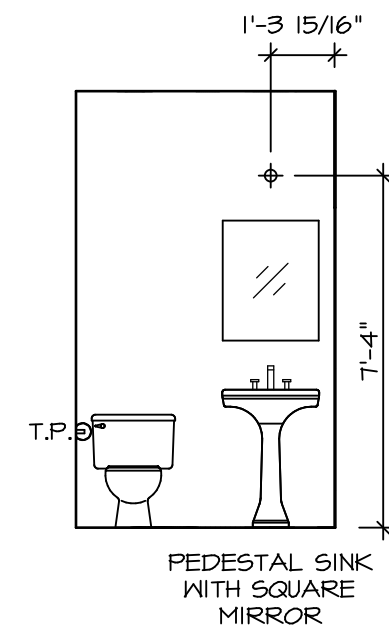
12/08/21 - 8:45 PM
A-12_KIT_LS.dwg



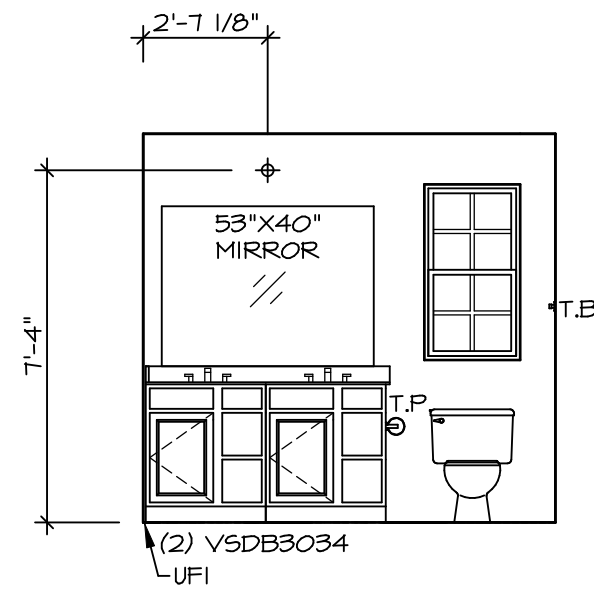
A **BASEMENT BATH**
SCALE: 1/4" = 1'-0"



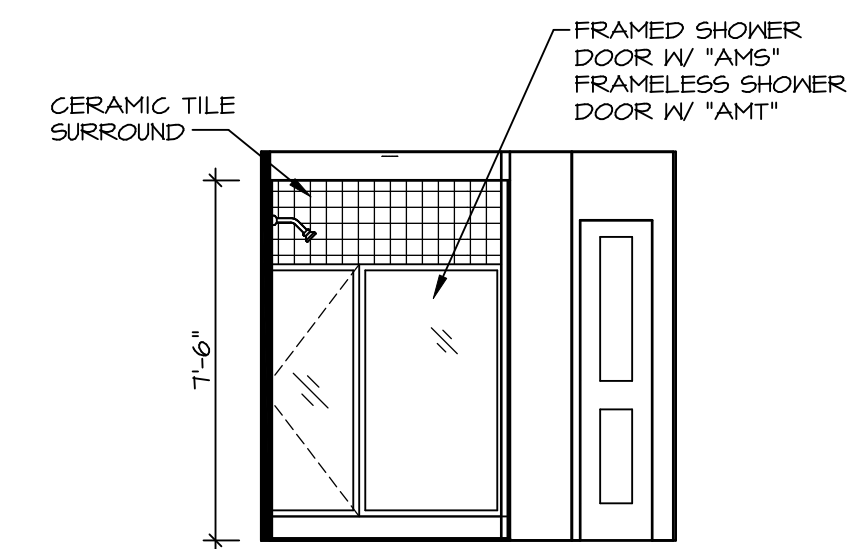
B **BASEMENT BATH**
SCALE: 1/4" = 1'-0"



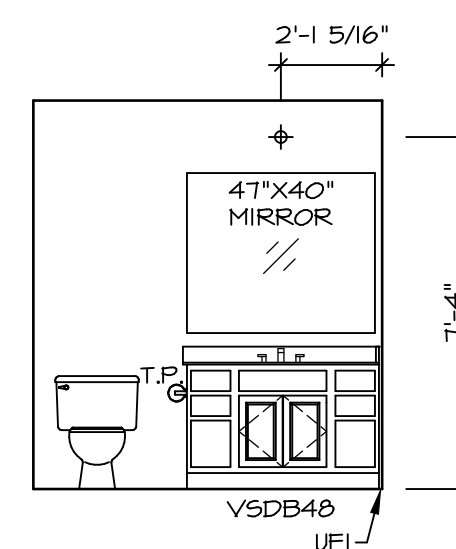
C **POWDER ROOM**
SCALE: 1/4" = 1'-0"



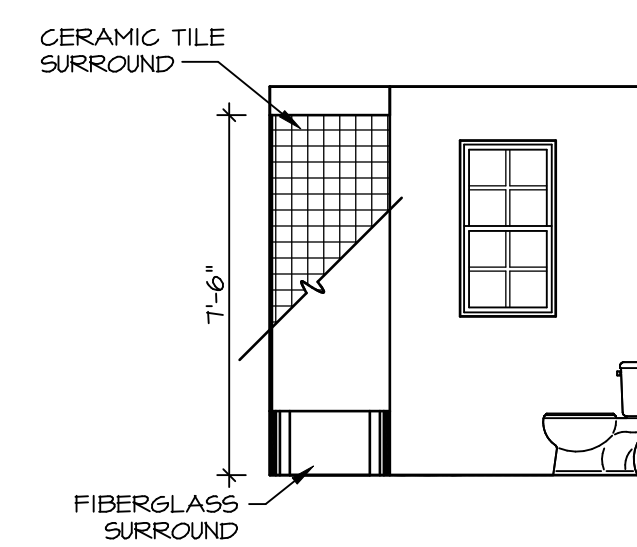
D **OWNER'S BATH**
SCALE: 1/4" = 1'-0"



E **OWNER'S BATH**
SCALE: 1/4" = 1'-0"



G **BATH #1**
SCALE: 1/4" = 1'-0"



H **BATH #1**
SCALE: 1/4" = 1'-0"

NOTES:

1. TEMPERED GLASS SHOWER ENCLOSURE WITH SWING DOOR OR OPTIONAL SLIDING DOOR BY DIVISION
2. TUB ACCESS PANELS PROVIDED AS NEEDED, ALL MATERIALS BY DIVISION
3. REFER TO SHEET IT-2 FOR TUB AND SHOWER DETAILS.
4. ALL VSDB24-42 DRAWERS TO BE SET ON RIGHT HAND.
5. ALL BATH ELEVATIONS ARE SHOWN PER PLAN.

SHEET NO.	MODEL	SET NO.	VERSION	DATE	OPTION
A-13	ALLEGHENY DRAWING TITLE BATH ELEVATIONS	ALG00 OI	01	4/8/17	
44					

NVR
NVR, Inc. Suite 100
5285 Westview, Frederick, MD 21703

© NVR, Inc. All rights reserved. The owner expressly reserves the right to modify, alter, change, or delete any portion of these plans at any time without notice. These plans are not to be reproduced, changed or copied in any manner without the written consent of NVR, Inc.

DIV-COMM-LOT-UNIT	
DCY-VG-L695	
COMM-LOT	VLGS OF WINDING CREEK WARR CO - L695
STREET ADDRESS	2244 COLD STREAM
CITY	CENTERVILLE
STATE	OH
ZIP	45459
APT. NO.	----