

PLUMBING PLAN
 SCALE: 1/4" = 1'-0"

NOTE
 RADON REMEDIATION
 RADON LOOP:
 - (4") PERFORATED HDPE "LOOP"
 - MUST BE PLACED IN STONE BED SLIGHTLY HIGHER THAN ANY INTERIOR DRAINTILE
 - LOOP TO BE SEPARATE FROM ANY DRAINTILE ELEMENTS
 - TO BE CORRUGATED HDPE PIPE
 - SCREWS TO BE INSTALLED THROUGH LOOP AT TEE UP INTO STACK
 STACK REQUIREMENTS:
 - 3" PVC STACK (4" IF BASEMENT IS GREATER THAN 2200 SQFT.)
 - NO PART OF STACK IS TO BE HORIZONTAL
 - PIPE TO BE PHYSICALLY LABELED IN THE FIELD AS "RADON VENT" OR OTHER JURISDICTIONALLY REQUIRED LANGUAGE (ON EVERY LEVEL OF HOUSE)
 - ROOF TERMINATION TO BE IN TOP 1/3 OF ROOF
 - SCREEN INSTALLED TO KEEP PESTS OUT OF RADON VENT AT ROOF TERMINATION

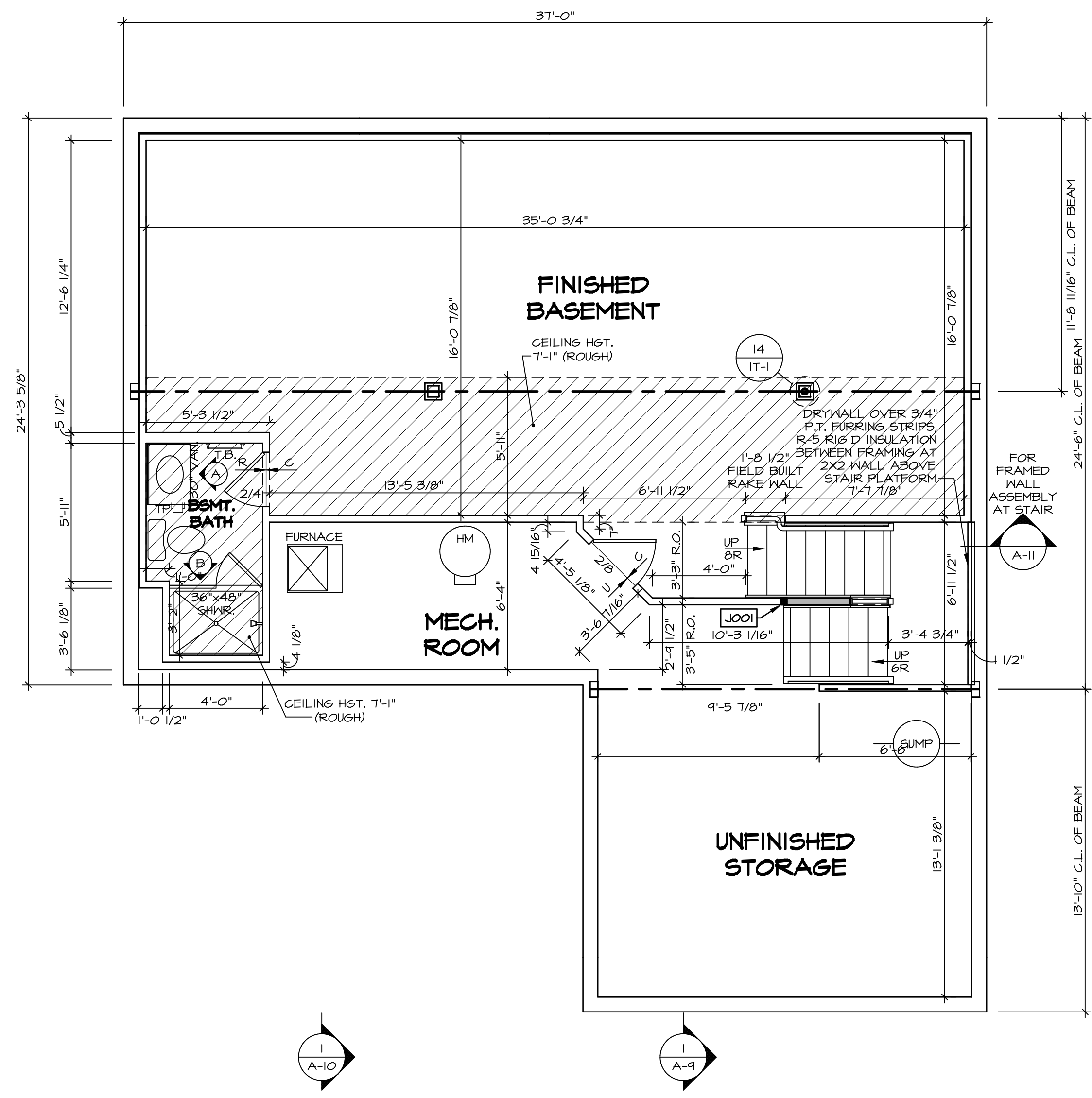
SHEET NO. A-5	MODEL COLUMBIA	SET NO. CLM00	DIV-COMM-LOT-UNIT DCY-V6-L102
	DRAWING TITLE PLUMBING PLAN	VERSION 01	
OPTION DESCRIPTION 23	GROUNDWORKS	DATE:	STREET ADDRESS 2221 COLD STREAM DR
		OPTION	CITY CENTERVILLE
		STATE OH	ZIP 45459

© NVR, Inc. All rights reserved. The information contained herein is the property of NVR, Inc. and is not to be reproduced, changed or copied in any form without the prior written permission of NVR, Inc.

NVR
 NVR, Inc. Suite 100
 Frederick, MD 21703

C:\NVR\Solves\COLUMBIA_CLM00_01\DCY-V6-L102\2351567\Sheets\Lot_Specific\23_A-5_PLUMB_L5.dwg 08/25/21 - 5:09 pm

BASEMENT FLOOR PLAN
SCALE: 1/4" = 1'-0"



LEGEND

- BEARING WALL
- NON BEARING WALL
- INDICATES BEARING FROM POINT-LOAD ABOVE
- JACKS
- BEAM/HEADER
- PAD FOOTING
- STEEL COLUMN
- PORTAL FRAME
- JOIST/TRUSS
- LVL
- ENGINEERING PAGE NUMBER

SEE FC DETAILS FOR FRAMING CONNECTORS

- FLOOR PLAN NOTES**
- ALL HEADERS ARE (2) 2x6 w/ 2x4 WALLS OR (3) 2x6 w/ 2x6 WALLS, UNLESS OTHERWISE NOTED.
 - ALL HEADERS TO HAVE (1) 2x4 OR 2x6 JACK AND KING STUD EACH END, UNLESS OTHERWISE NOTED.
 - ALL EXTERIOR WALLS TO BE 4" w/ OSB OR 3 1/2" w/ T-PLY, ALL INTERIOR WALLS TO BE 3 1/2", UNLESS OTHERWISE NOTED.
 - HATCHED AREAS INDICATE DROPPED CEILING. ALL DROPPED CEILING ARE 12" UNLESS OTHERWISE NOTED.
 - SEE "BRACED WALL PANEL DETAIL SHEET" FOR SPECIAL WALL FRAMING LOCATIONS AND HEADER SIZES, IF APPLICABLE.
 - SEE STANDARD DETAIL CATEGORY "IT" SHEET(S) FOR INTERIOR TRIM DETAILS.
 - SEE ARCHITECTURAL DETAIL SHEET "AD" FOR HOUSE SPECIFIC INTERIOR TRIM OPTION TABLE.
 - ALL WINDOWS HAVE 7'-0 1/2" HEADER HEIGHT UNLESS OTHERWISE NOTED.
 - ALL HEADERS IN NON-BEARING WALLS SHALL BE A SINGLE FLAT 2x4 OR 2x6 ATTACHED TO CRIPPLES ABOVE, UNLESS OTHERWISE NOTED.
 - TANKED WATER HEATER SHOWN AS BASE CONDITION. OPTIONAL TANKLESS WATER HEATER IS AVAILABLE IN LIEU OF TANKED WATER HEATER.

GYPSUM NOTES

AT GARAGE:
GYPSUM BOARD AT COMMON WALLS, CEILING, BEAM WRAPS AND SUPPORTS PER STANDARD DETAIL FA-1(b) FIRE ASSEMBLIES OR AS REQUIRED BY LOCAL CODE.

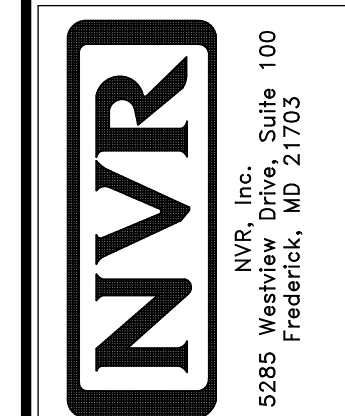
AT STAIRS:
1/2" GYPSUM BOARD AT UNDERSIDE OF STAIRS AND WALLS IN CLOSET

BASEMENT JACK SCHEDULE

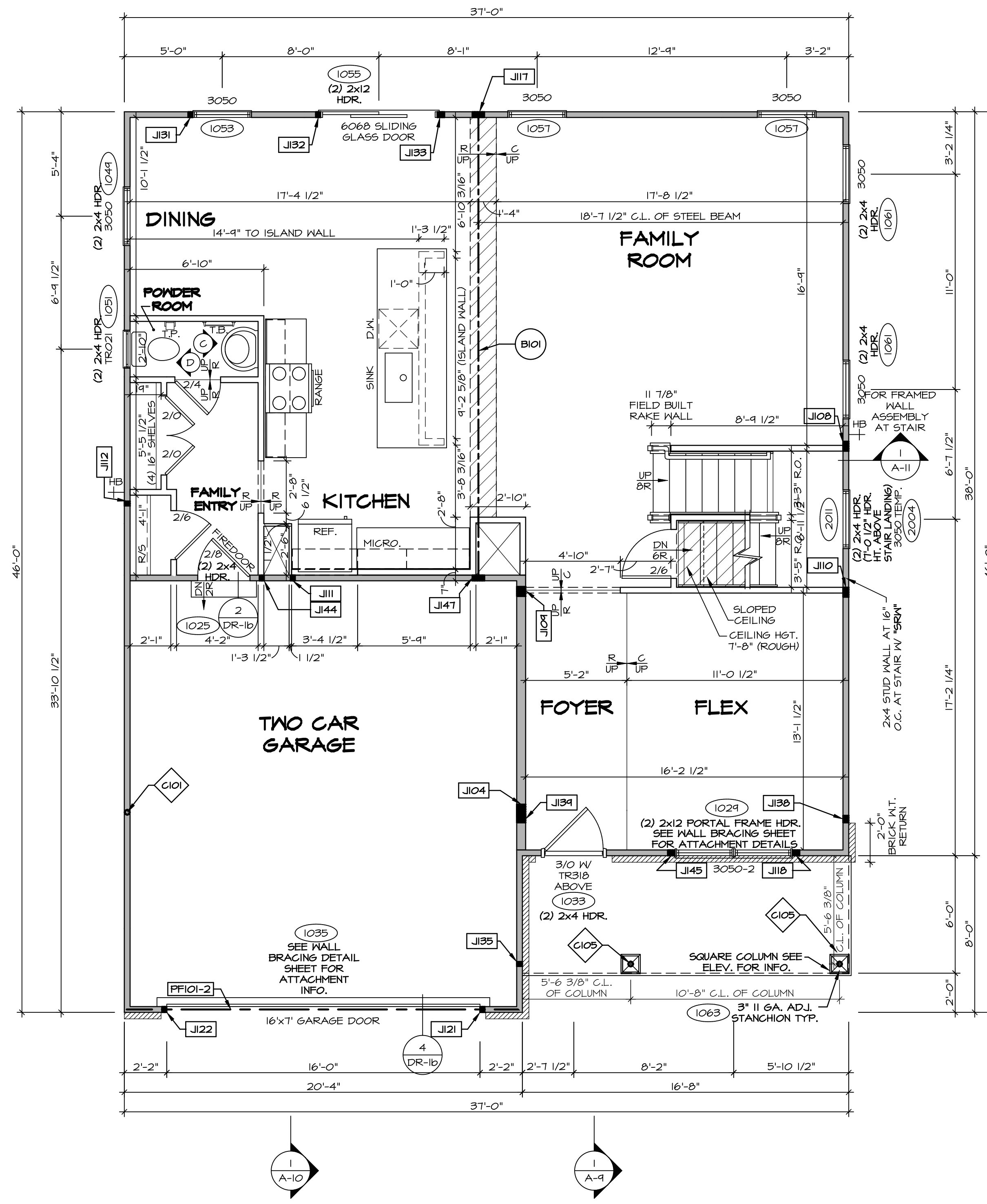
IDENTIFIER	DESCRIPTION	OPTIONS	ENG. NUM.	REMARKS
J001	JACK - (2) 2X4 SFF STUD GRADE	FBA	BO031	

DIV-COMM-LOT-UNIT
DCY-VG-LT02
COMM-LOT
VILG6 OF WINDING CREEK WARR CO - LT02
STREET ADDRESS
2221 COLD STREAM DR
CITY
CENTERVILLE
STATE
OH
ZIP
45459

© NVR, Inc. The owner expressly reserves the right to modify or amend these plans at any time without notice. These plans are not to be reproduced, changed or altered in any way without the written consent of NVR, Inc.



SHEET NO. A-6	MODEL COLUMBIA	SET NO. CLM00	VERSION 01
	DRAWING TITLE BASEMENT FLOOR PLAN	DRAWN BY CVB	DATE:
26	OPTION DESCRIPTION BASEMENT FOUNDATION	OPTION FBA	



FIRST FLOOR PLAN
SCALE: 1/4" = 1'-0"

LEGEND

- BEARING WALL
- NON BEARING WALL
- INDICATES BEARING FROM POINT-LOAD ABOVE
- JACKS
- BEAM/HEADER
- PAD FOOTING
- STEEL COLUMN
- PORTAL FRAME
- JOIST/TRUSS
- LVL
- ENGINEERING PAGE NUMBER

SEE FC DETAILS FOR FRAMING CONNECTORS

- FLOOR PLAN NOTES**
- ALL HEADERS ARE (2) 2x6 W/ 2x4 WALLS OR (3) 2x6 W/ 2x6 WALLS, UNLESS OTHERWISE NOTED.
 - ALL HEADERS TO HAVE (1) 2x4 OR 2x6 JACK AND KING STUD EACH END, UNLESS OTHERWISE NOTED.
 - ALL EXTERIOR WALLS TO BE 4" W/ OSB OR 3 1/2" W/ T-PLY, ALL INTERIOR WALLS TO BE 3 1/2", UNLESS OTHERWISE NOTED.
 - HATCHED AREAS INDICATE DROPPED CEILINGS. ALL DROPPED CEILINGS ARE 12" UNLESS OTHERWISE NOTED.
 - SEE "BRACED WALL PANEL DETAIL SHEET" FOR SPECIAL WALL FRAMING LOCATIONS AND HEADER SIZES, IF APPLICABLE.
 - SEE STANDARD DETAIL CATEGORY "IT" SHEET(S) FOR INTERIOR TRIM DETAILS.
 - SEE ARCHITECTURAL DETAIL SHEET "AD" FOR HOUSE SPECIFIC INTERIOR TRIM OPTION TABLE.
 - ALL WINDOWS HAVE T-O 1/2" HEADER HEIGHT UNLESS OTHERWISE NOTED.
 - ALL HEADERS IN NON-BEARING WALLS SHALL BE A SINGLE FLAT 2x4 OR 2x6 ATTACHED TO CRIPPLES ABOVE, UNLESS OTHERWISE NOTED.
 - TANKED WATER HEATER SHOWN AS BASE CONDITION, OPTIONAL TANKLESS WATER HEATER IS AVAILABLE IN LIEU OF TANKED WATER HEATER.

- GYPSUM NOTES**
- AT GARAGE:
GYPSUM BOARD AT COMMON WALLS, CEILINGS, BEAM WRAPS AND SUPPORTS PER STANDARD DETAIL FA-1(b) FIRE ASSEMBLIES OR AS REQUIRED BY LOCAL CODE.
- AT STAIRS:
1/2" GYPSUM BOARD AT UNDERSIDE OF STAIRS AND WALLS IN CLOSET

NOTE:
EXTERIOR WALLS DRAIN TO FRAMING WIDTH, EXTERIOR SHEATHING IS NOT INCLUDED IN WALL THICKNESS.

- LVL PLY TO PLY FASTENING SCHEDULE:** (WHERE APPLICABLE BASED ON LVL USAGE)
- (2) PLY UP TO AND INCLUDING 11 7/8" TALL; FASTEN PLYS W/ (2) ROWS 16D NAILS AT 12" O.C. OR ALT 1 1/2" WIDE LVL FASTEN PLYS W/ (3) ROWS 12D NAILS AT 12" O.C.
 - (2) PLY 14" TO AND 18" TALL (INCLUSIVE); FASTEN PLYS W/ (3) ROWS 16D NAILS AT 12" O.C. OR ALT 1 1/2" WIDE LVL FASTEN PLYS W/ (4) ROWS 12D NAILS AT 12" O.C.
 - (2) PLY 20" TALL AND OVER; FASTEN PLYS W/ (4) ROWS 16D NAILS AT 12" O.C. OR ALT 1 1/2" WIDE LVL FASTEN PLYS W/ (5) ROWS 12D NAILS AT 12" O.C.
 - (3) PLY UP TO AND INCLUDING 11 7/8" TALL; FASTEN PLYS W/ (2) ROWS 16D NAILS AT 12" O.C. FROM EACH SIDE OR ALT 1 1/2" WIDE LVL FASTEN PLYS W/ (3) ROWS 12D NAILS AT 12" O.C. FROM EACH SIDE.
 - (3) PLY 14" TO AND 18" TALL (INCLUSIVE); FASTEN PLYS W/ (3) ROWS 16D NAILS AT 12" O.C. FROM EACH SIDE OR ALT 1 1/2" WIDE LVL FASTEN PLYS W/ (4) ROWS 12D NAILS AT 12" O.C. FROM EACH SIDE.
 - (3) PLY 20" TALL AND OVER; FASTEN PLYS W/ (4) ROWS 16D NAILS AT 12" O.C. FROM EACH SIDE OR ALT 1 1/2" WIDE LVL FASTEN PLYS W/ (5) ROWS 12D NAILS AT 12" O.C. FROM EACH SIDE.
 - (4) PLY (ALL SIZES); FASTEN PLYS W/ (2) ROWS 1/2" DIAMETER A307 BOLTS AT 24" O.C. SEE SHOP DRAWING FOR ADDITIONAL INFORMATION.

FIELD INSTALLED FIRST FLOOR BEAM/HEADER SCHEDULE

IDENTIFIER	DESCRIPTION	LENGTH	OPTIONS	ENG. NUM.	REMARKS
B101	BEAM STEEL - W12X30	23'-10 3/4"		1023	
PF101-2	LVL 1.75 - 11-04	20'-1"	GCB/ GCF	1035	

STEEL COLUMN SCHEDULE

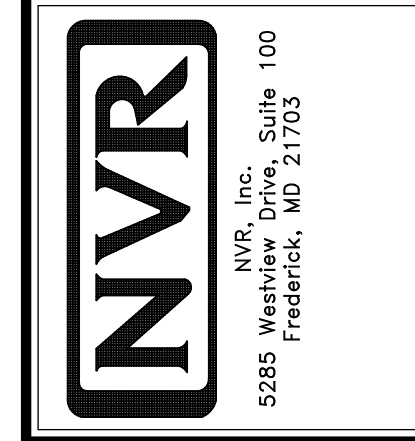
IDENTIFIER	STYLE	HEIGHT	OPTIONS	ENG. NUM.	REMARKS
C101	STANCHION - 3 IN SCHED 40	9'-6"	GCB/ GCF, ELA/ ELB/ ELL/ ELL, SXG, FBV/ FGA	1006	
C105	STANCHION PORCH - 3 IN DIA 116A ADJ	9'-4 7/8"	FBA	1063	

FIRST FLOOR JACK SCHEDULE

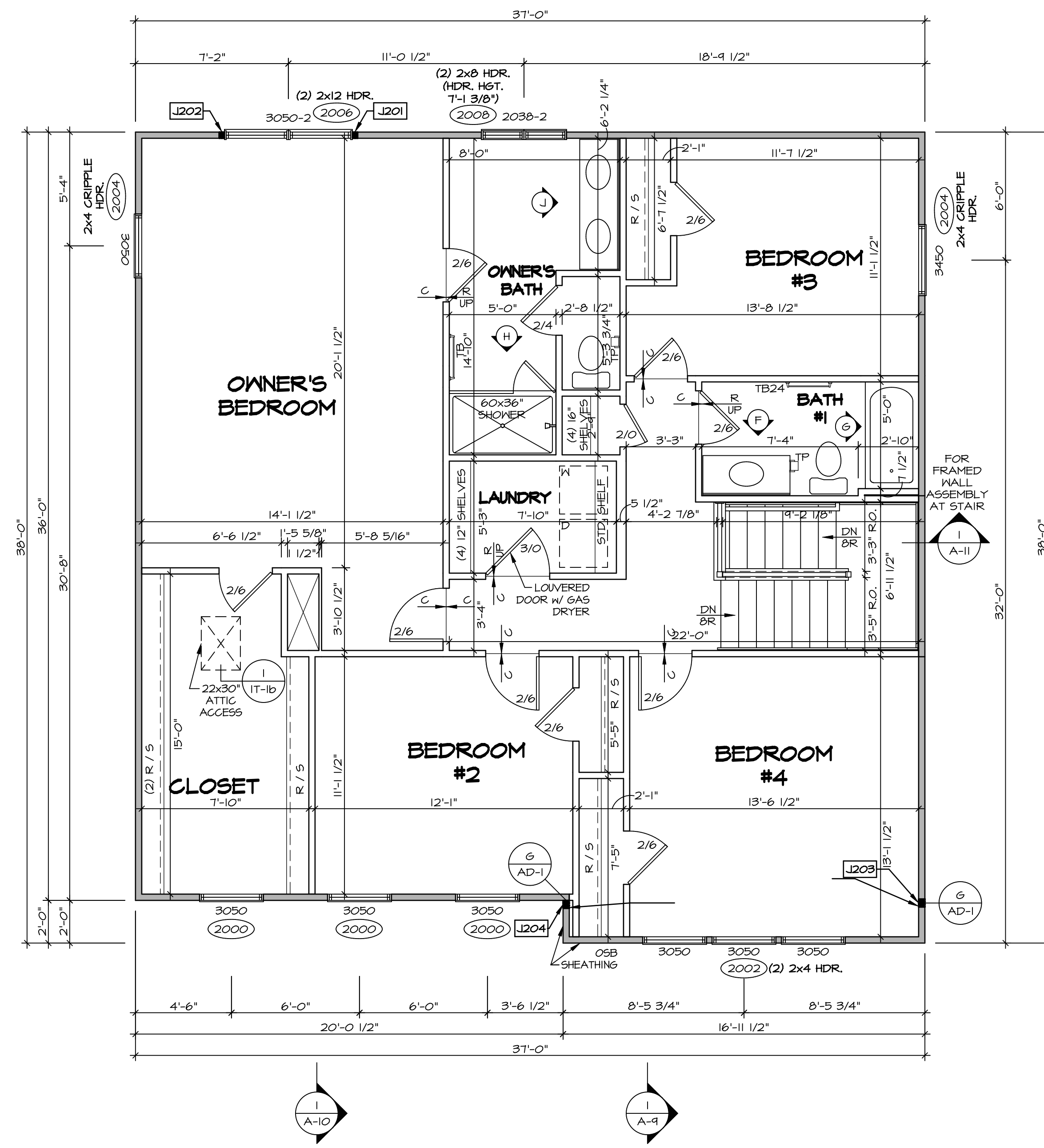
IDENTIFIER	DESCRIPTION	OPTIONS	ENG. NUM.	REMARKS
J104	JACK - (5) 2x6 SFF STUD GRADE	SXC, ELB/ ELL	1006	
J108	JACK - (4) 2x4 SFF STUD GRADE		1014	
J109	JACK - (4) 2x6 SFF STUD GRADE		1016	
J110	JACK - (4) 2x4 SFF STUD GRADE		1016	
J111	JACK - (2) 2x4 SFF STUD GRADE		1018	
J112	JACK - (2) 2x4 SFF STUD GRADE		1020	
J117	JACK - (5) 2x4 SFF		1023	
J118	JACK - (3) 2x4 SFF STUD GRADE		1024	
J121	JACK - (2) 2x4 SFF STUD GRADE	GCB/ GCF	1035	
J122	JACK - (2) 2x4 SFF STUD GRADE	GCB/ GCF	1035	
J131	JACK - (2) 2x4 SFF STUD GRADE		1033	
J132	JACK - (2) 2x4 SFF STUD GRADE		1035	
J133	JACK - (3) 2x4 SFF STUD GRADE		1035	
J135	JACK - (2) 2x4 SFF STUD GRADE		1063	
J138	JACK - (3) 2x4 SFF#1	ELB/ ELL	2010	
J139	JACK - (3) 2x6 SFF STUD GRADE	ELB/ ELL	2010	
J144	JACK - (2) 2x4 SFF STUD GRADE		1018	
J145	JACK - (3) 2x4 SFF STUD GRADE		1021	
J147	JACK - (5) 2x4 SFF#1		1023	

DCY-YG-L102
COMMITTEE
VILGGS OF WINDING CREEK WARR CO - L102
STREET ADDRESS
2221 COLD STREAM DR
CITY STATE OH
APT. NO. 405
ZIP 45456

NVR, Inc. expressly reserves the right to modify these plans without notice. These plans are not to be reproduced, changed or altered in any way without the written consent of NVR, Inc.



SHEET NO.	A-7	27
MODEL	COLUMBIA	
DRAWING TITLE	FIRST FLOOR PLAN	
OPTION DESCRIPTION		
SET NO. CLMOO	VERSION 01	
DRAWN BY	ARM	
DATE:	OPTION	



SECOND FLOOR PLAN
SCALE: 1/4" = 1'-0"

LEGEND

- BEARING WALL
- NON BEARING WALL
- INDICATES BEARING FROM POINT-LOAD ABOVE
- JACKS
- BEAM/HEADER
- PAD FOOTING
- STEEL COLUMN
- PORTAL FRAME
- JOIST/TRUSS
- LVL
- ENGINEERING PAGE NUMBER

SEE FC DETAILS FOR FRAMING CONNECTORS

NOTE:
EXTERIOR WALLS DRAWN TO FRAMING WIDTH, EXTERIOR SHEATHING IS NOT INCLUDED IN WALL THICKNESS.

- FLOOR PLAN NOTES**
1. ALL HEADERS ARE (2) 2x6 w/ 2x4 WALLS OR (3) 2x6 w/ 2x6 WALLS, UNLESS OTHERWISE NOTED.
 2. ALL HEADERS TO HAVE (1) 2x4 OR 2x6 JACK AND KING STUD EACH END, UNLESS OTHERWISE NOTED.
 3. ALL EXTERIOR WALLS TO BE 4" w/ OSB OR 3 1/2" w/ T-PLY, ALL INTERIOR WALLS TO BE 3 1/2", UNLESS OTHERWISE NOTED.
 4. HATCHED AREAS INDICATE DROPPED CEILING. ALL DROPPED CEILING ARE 12" UNLESS OTHERWISE NOTED.
 5. SEE "BRACED WALL PANEL DETAIL SHEET" FOR SPECIAL WALL FRAMING LOCATIONS AND HEADER SIZES, IF APPLICABLE.
 6. SEE STANDARD DETAIL CATEGORY "IT" SHEET(S) FOR INTERIOR TRIM DETAILS.
 7. SEE ARCHITECTURAL DETAIL SHEET "AD" FOR HOUSE SPECIFIC INTERIOR TRIM OPTION TABLE.
 8. ALL WINDOWS HAVE 7'-0 1/2" HEADER HEIGHT UNLESS OTHERWISE NOTED.
 9. ALL HEADERS IN NON-BEARING WALLS SHALL BE A SINGLE FLAT 2x4 OR 2x6 ATTACHED TO CRIPPLES ABOVE, UNLESS OTHERWISE NOTED.
 10. TANKED WATER HEATER SHOWN AS BASE CONDITION. OPTIONAL TANKLESS WATER HEATER IS AVAILABLE IN LIEU OF TANKED WATER HEATER.

GYPSON NOTES

AT GARAGE:
GYPSUM BOARD AT COMMON WALLS, CEILING, BEAM WRAPS AND SUPPORTS PER STANDARD DETAIL FA-(b) FIRE ASSEMBLIES OR AS REQUIRED BY LOCAL CODE.

AT STAIRS:
1/2" GYPSUM BOARD AT UNDERSIDE OF STAIRS AND WALLS IN CLOSET

SECOND FLOOR JACK SCHEDULE

IDENTIFIER	DESCRIPTION	OPTIONS	ENG. NUM.	REMARKS
J201	JACK - (2) 2X4 SPF STUD GRADE		2006	
J202	JACK - (2) 2X4 SPF STUD GRADE		2006	
J203	JACK - (3) 2X4 SPF#1	ELB/ ELL	2010	
J204	JACK - (3) 2X4 SPF#1	ELB/ ELL	2010	

DIV-COMM-LOT-UNIT
DCY-VG-LT02

COMM-LOT
VILG OF WINDING CREEK MARR CO - LT02
STREET ADDRESS
2221 COLD STREAM DR
CITY
CENTERVILLE
STATE
OH
ZIP
45459

© NVR, Inc. expressly reserves the right to modify or change these plans without notice. These plans are not to be reproduced, changed or altered in any way without the written consent of NVR, Inc.

NVR
NVR, Inc. Suite 100
5285 Washburne Rd
Frederick, MD 21703

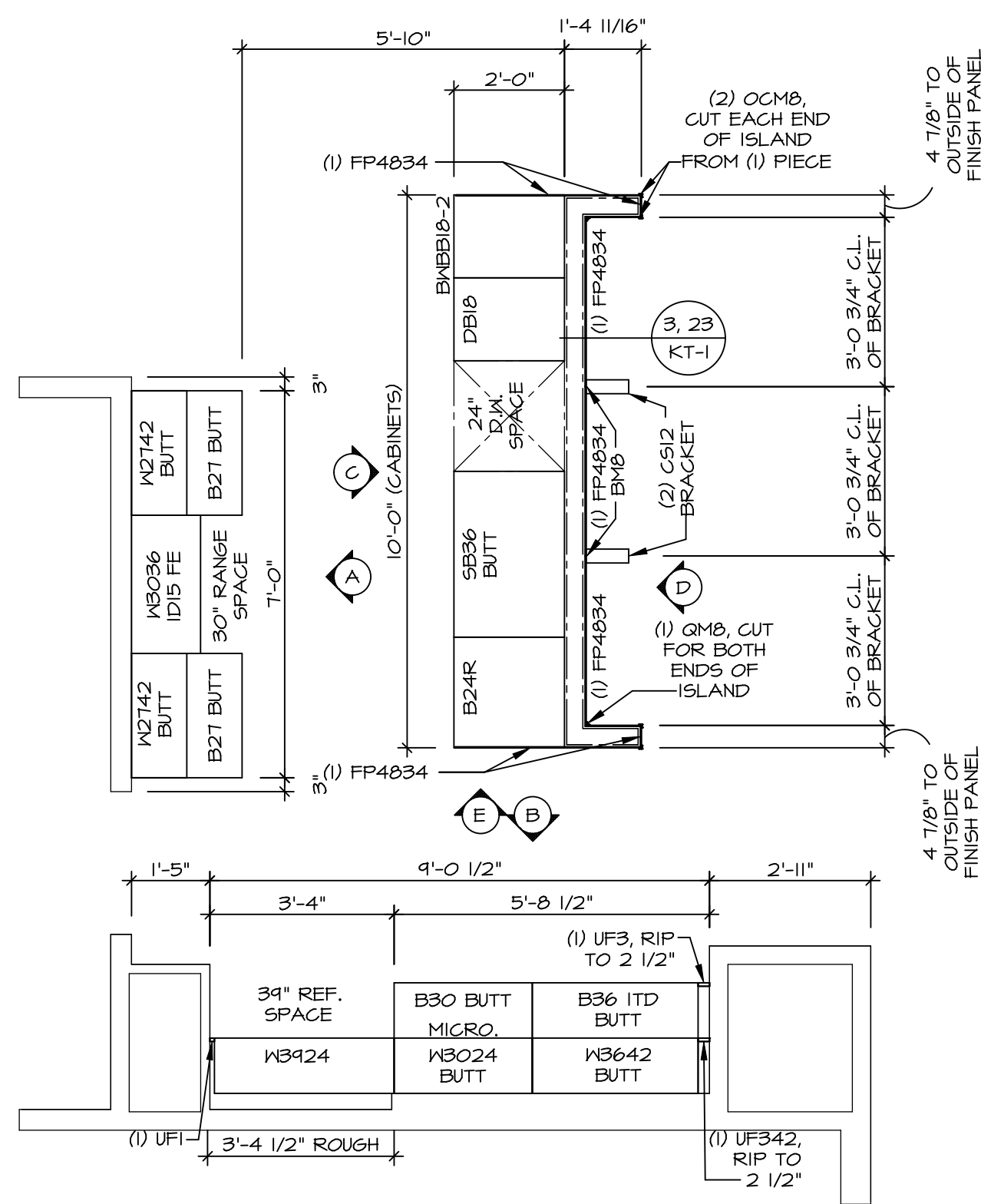
SET NO. CLMOO
VERSION 01
DRAWN BY ARY
DATE:
OPTION

COLUMBIA
DRAWING TITLE
SECOND FLOOR PLAN

A-8

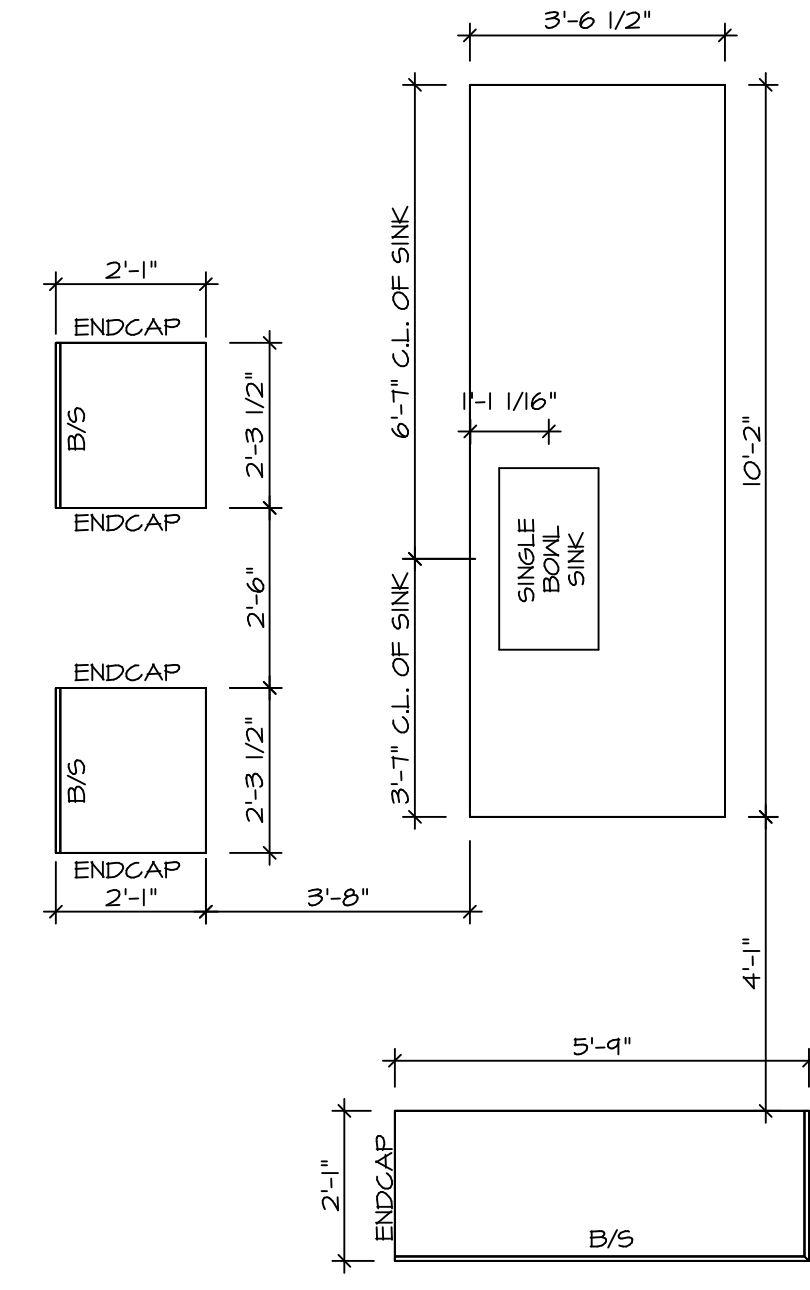
31

C:\NVR\Solves\COLUMBIA_CLMOO_01\DCY-VG-LT02\2351567\Sheets\Lot_Specific\31_A-8_FLN2_LS.dwg 08/25/21 - 5:09 pm



KITCHEN CABINET LAYOUT KC-352(TC)

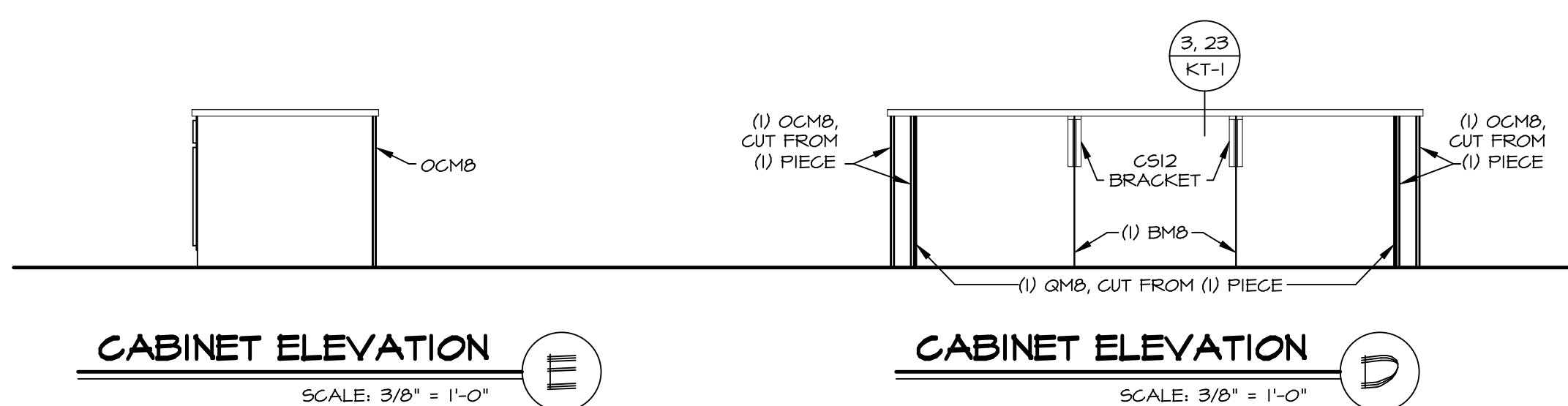
APPLIANCE LAYOUT W/ RANGE (TC) *KAI* SCALE: 3/8" = 1'-0" A-12



KITCHEN COUNTERTOP LAYOUT KC-352(TC)

APPLIANCE LAYOUT W/ RANGE (TC) *KAI* SCALE: 3/8" = 1'-0" A-12

- NOTES:**
- CABINET LAYOUT (S) ARE BASED ON FINISHED DIMENSIONS TO DRYWALL.
 - IF KITCHEN PLANS/ELEVATIONS CALL-OUT STANDARD MOLDING, REFER TO STANDARD DETAIL (IKT-1) FOR REPLACEMENT BASED ON CABINET STYLE.
 - ALL (UF#) FILLERS ARE TO BE "TRIM TO FIT" UNLESS OTHERWISE NOTED.
 - CABINET MUST BE SET, SHIMMED, LEVELED AND PLUMB W/ ADJOINING BASE CABINETS.
 - SET PRE-FINISHED SCRIBE MOLDING AT CABINET BULKHEADS AND AT ENDS (WHERE CABINETS MEET DRYWALL.) PRE-FINISHED SCRIBE MOLDING SHALL BE USED TO PAD OUT CABINET SIDES AT STILE FOR RETURN PIECES OF THE FACE-MOUNTED CABINET CROWN MOLDING.
 - HARDWARE INSTALL NOTE: KNOBS GO ON DOORS AND DRAWERS FOR ALL AREAS. ALL DRAWER FRONTS AND DOORS GET (1) KNOB/FULL. NO HARDWARE ON FALSE DRAWER FRONTS.

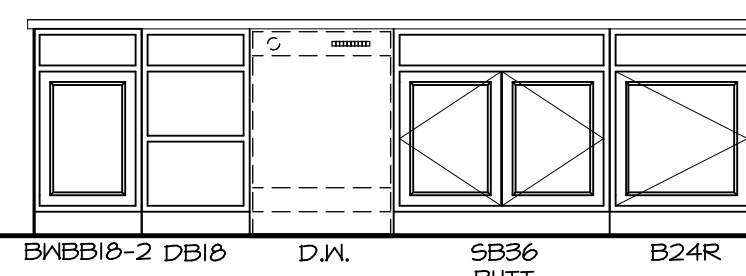


CABINET ELEVATION E

SCALE: 3/8" = 1'-0"

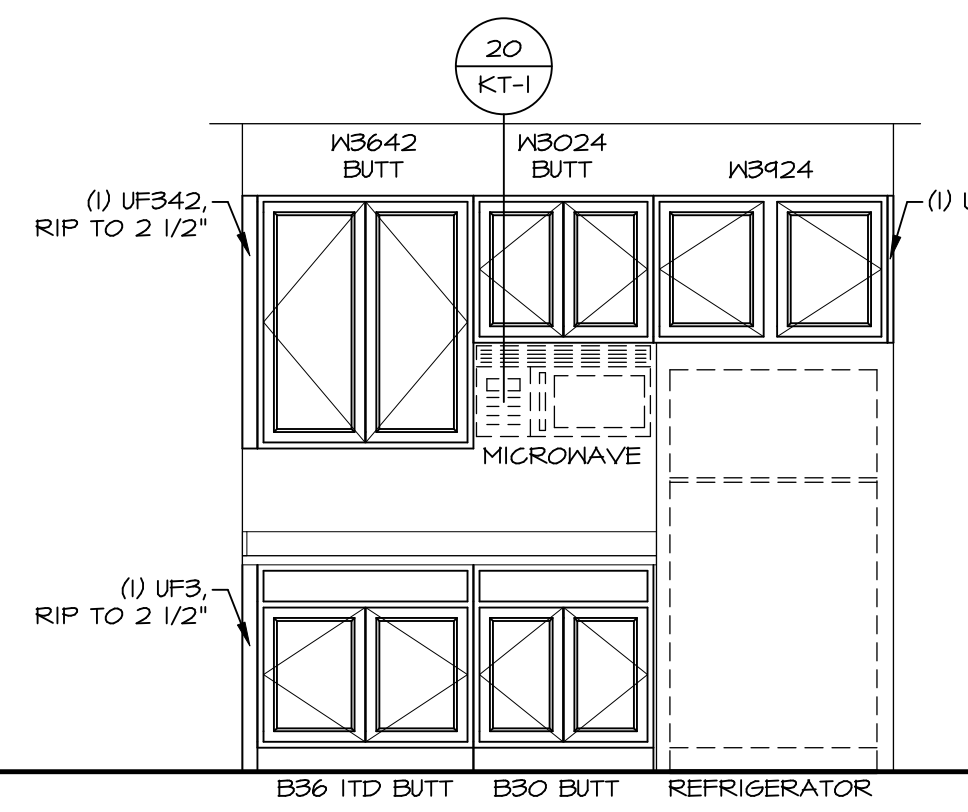
CABINET ELEVATION D

SCALE: 3/8" = 1'-0"



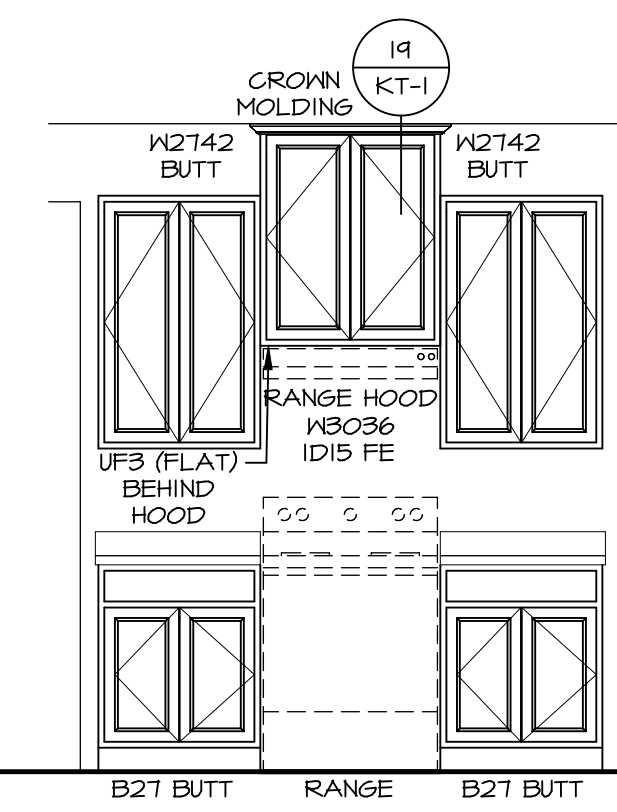
CABINET ELEVATION C

APPLIANCE LAYOUT W/ RANGE (TC) *KAI* SCALE: 3/8" = 1'-0"



CABINET ELEVATION B

SCALE: 3/8" = 1'-0"

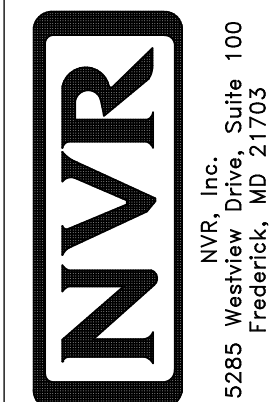


CABINET ELEVATION A

SCALE: 3/8" = 1'-0"

DIV-COMM-LOT-UNIT
DCY-VG-L702
 COMM-LOT
 VLGES OF WINDING CREEK WARR CO - L702
 STREET ADDRESS
 2221 COLD STREAM DR
 CITY STATE OH
 CENTERVILLE OH 45459

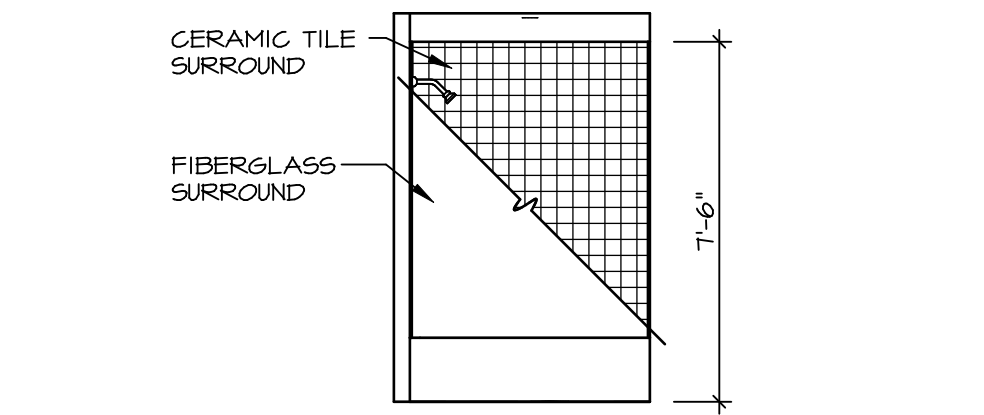
© NVR, Inc. expressly reserves the right to modify these plans without notice. In these plans, these plans are not to be reproduced, changed or altered in any way without the written consent of NVR, Inc.



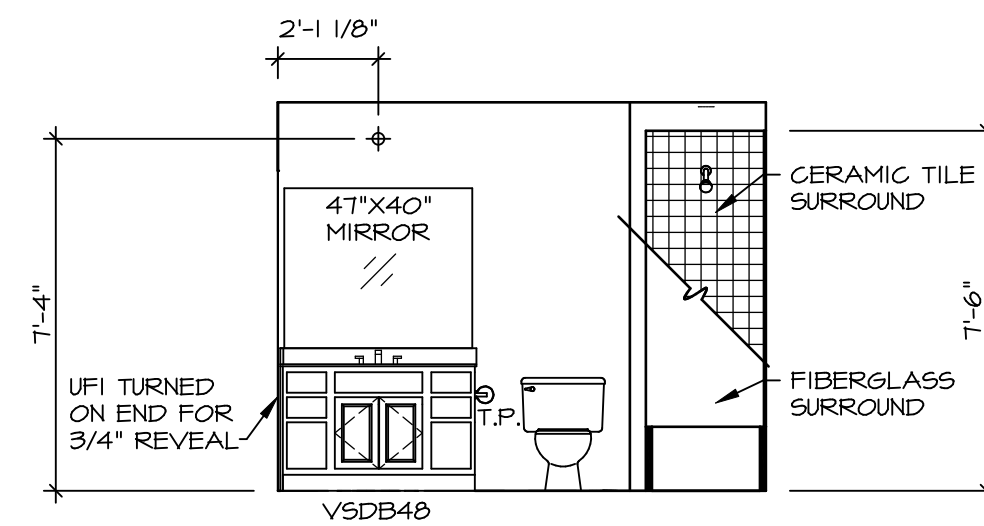
SHEET NO.	MODEL	SET NO.	CLMOO
A-12	COLUMBIA	VERSION	01
	DRAWING TITLE	DRAWN BY	ARM
	KITCHEN PLAN AND ELEVATION	DATE:	OPTION
	OPTION DESCRIPTION		
44			

NOTES:

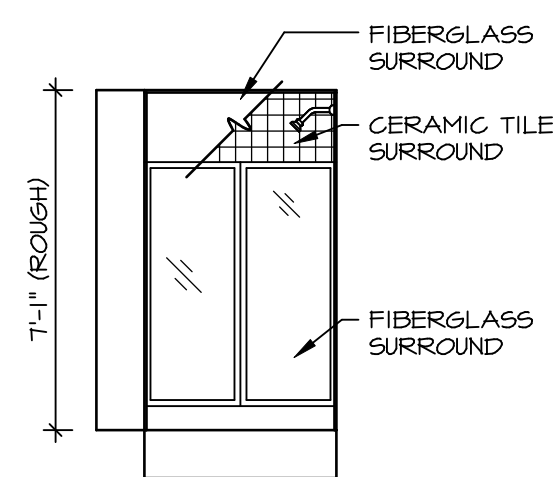
1. TEMPERED GLASS SHOWER ENCLOSURE WITH SLIDING DOOR OR OPTIONAL SLIDING DOOR BY DIVISION
2. TUB ACCESS PANELS PROVIDED AS NEEDED, ALL MATERIALS BY DIVISION
3. REFER TO SHEET D-XX FOR TUB AND SHOWER DETAILS.
4. ALL V5DB24-42 DRAWERS TO BE SET ON RIGHT HAND.
5. ALL BATH ELEVATIONS ARE SHOWN PER PLAN.



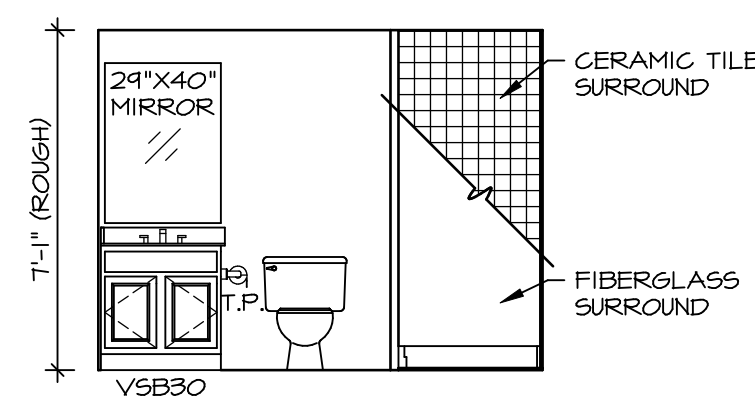
G BATH #1
SCALE: 1/4" = 1'-0"



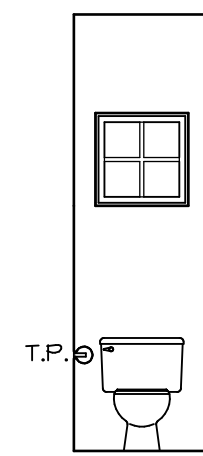
F BATH #1
SCALE: 1/4" = 1'-0"
SINGLE BOWL VANITY *VVC*



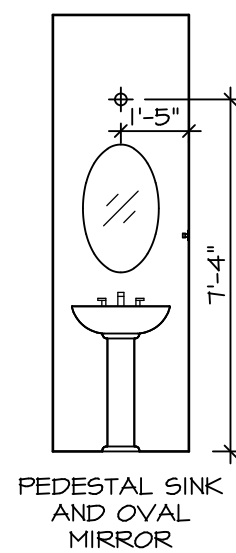
B BASEMENT BATH
SCALE: 1/4" = 1'-0" BASEMENT BATH *AEB*



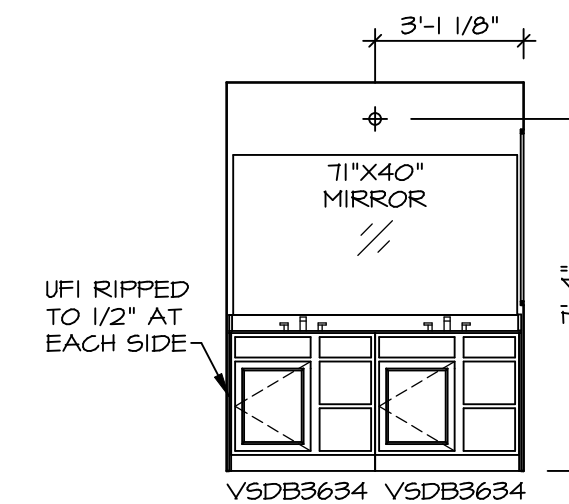
A BASEMENT BATH
SCALE: 1/4" = 1'-0" BASEMENT BATH *AEB*



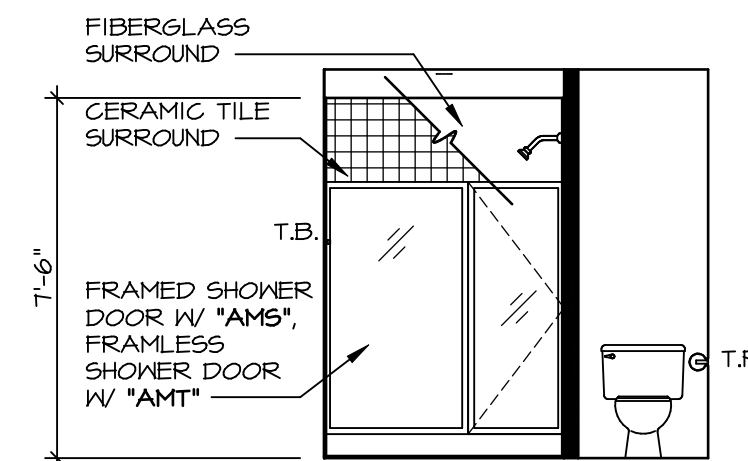
D POWDER ROOM
SCALE: 1/4" = 1'-0"



C POWDER ROOM
SCALE: 1/4" = 1'-0"



J OWNER'S BATH
SCALE: 1/4" = 1'-0"



H OWNER'S BATH
SCALE: 1/4" = 1'-0" OWNER'S BATHROOM SHOWER *AMA*

DIV-COMM-LOT-UNIT
DCY-V6-L702

COMM-LOT
VILGS OF WINDING CREEK WARR CO - L702
STREET ADDRESS
2221 COLD STREAM DR
CITY STATE OH ZIP
CENTERVILLE OH 45459

© NVR, Inc. expressly reserves the right to modify or change these plans at any time without notice. These plans are not to be reproduced, changed or copied in any way without the written consent of NVR, Inc.



SET NO. CLM00
VERSION 01
DRAWN BY ARY
DATE:
OPTION

MODEL
COLUMBIA
DRAWING TITLE
BATH ELEVATIONS
OPTION DESCRIPTION

SHEET NO.
A-13
46