

PLUMBING PLAN
SCALE: 1/4" = 1'-0"

NOTE
RADON REMEDIATION
RADON LOOP:
- (4") PERFORATED HDPE "LOOP"
- MUST BE PLACED IN STONE BED SLIGHTLY HIGHER THAN ANY INTERIOR DRAINTILE
- LOOP TO BE SEPARATE FROM ANY DRAINTILE ELEMENTS
- TO BE CORRUGATED HDPE PIPE
- SCREENS TO BE INSTALLED THROUGH LOOP AT TEE UP INTO STACK
STACK REQUIREMENTS:
- 3" PVC STACK (4" IF BASEMENT IS GREATER THAN 2200 SQFT.)
- NO PART OF STACK IS TO BE HORIZONTAL
- PIPE TO BE PHYSICALLY LABELED IN THE FIELD AS "RADON VENT" OR OTHER JURISDICTIONALLY REQUIRED LANGUAGE (ON EVERY LEVEL OF HOUSE)
- ROOF TERMINATION TO BE IN TOP 1/3 OF ROOF
- SCREEN INSTALLED TO KEEP PESTS OUT OF RADON VENT AT ROOF TERMINATION

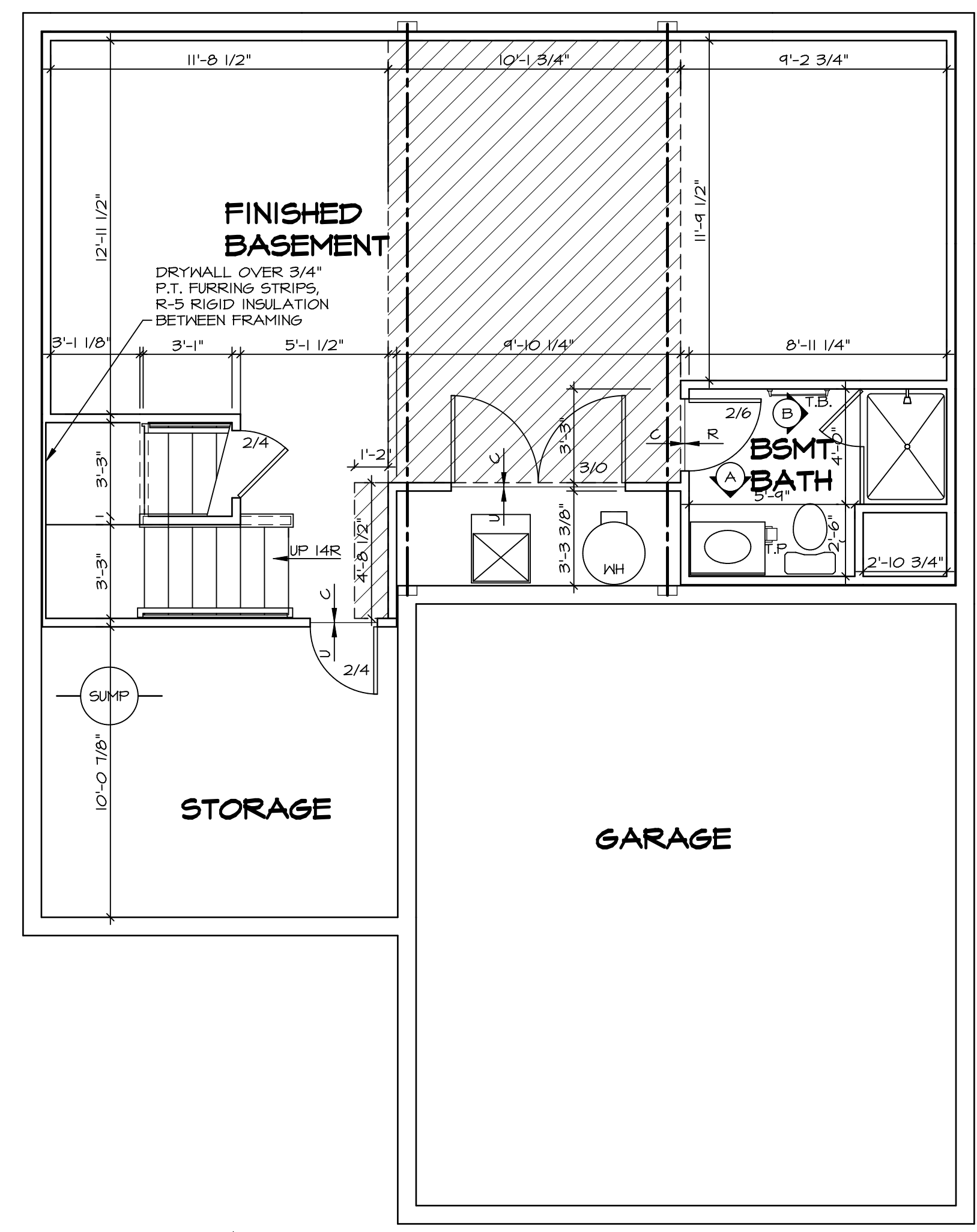
SHEET NO. A-5	MODEL ALLEGHENY	SET NO. AL600	VERSION 01	DRAWN BY TN	DATE: 08/04/2017	OPTION
		DRAWING TITLE PLUMBING PLAN				
22	OPTION DESCRIPTION	© NVR, Inc. expressly reserves the right to modify or amend these plans at any time without notice. These plans are not to be reproduced, changed or altered in any way without the written consent of NVR, Inc.				
		<div style="display: flex; justify-content: space-between;"> <div> <p>NVR NVR, Inc. Suite 100 Frederick, MD 21703</p> </div> <div> <p>5285 Washburn Rd Frederick, MD 21703</p> </div> </div>				
DIV-COMM-LOT-UNIT DCY-VG-L704		COMM-LOT VLGS OF WINDING CREEK WARR CO - L704 STREET ADDRESS 2219 COLD STREAM DR CITY STATE OH ZIP CENTERVILLE OH 45459				

LEGEND	
	BEARING WALL
	NON BEARING WALL
	INDICATES BEARING FROM POINT-LOAD ABOVE
	JACKS
	BEAM/HEADER
	PAD FOOTING
	STEEL COLUMN
	PORTAL FRAME
	JOIST/TRUSS
	LVL
	ENGINEERING PAGE NUMBER

SEE FC DETAILS FOR FRAMING CONNECTORS

- FLOOR PLAN NOTES**
- ALL HEADERS ARE (2) 2x6 w/ 2x4 WALLS OR (3) 2x6 w/ 2x6 WALLS, UNLESS OTHERWISE NOTED.
 - ALL HEADERS TO HAVE (1) 2x4 OR 2x6 JACK AND KING STUD EACH END, UNLESS OTHERWISE NOTED.
 - ALL EXTERIOR WALLS TO BE 4" w/ OSB OR 3 1/2" w/ T-PLY, ALL INTERIOR WALLS TO BE 3 1/2", UNLESS OTHERWISE NOTED.
 - HATCHED AREAS INDICATE DROPPED CEILINGS. ALL DROPPED CEILINGS ARE 12" UNLESS OTHERWISE NOTED.
 - SEE "BRACED WALL PANEL DETAIL SHEET" FOR SPECIAL WALL FRAMING LOCATIONS AND HEADER SIZES, IF APPLICABLE.
 - SEE STANDARD DETAIL CATEGORY "IT" SHEET(S) FOR INTERIOR TRIM DETAILS.
 - SEE ARCHITECTURAL DETAIL SHEET "AD" FOR HOUSE SPECIFIC INTERIOR TRIM OPTION TABLE.
 - ALL WINDOWS HAVE 1"-0 1/2" HEADER HEIGHT UNLESS OTHERWISE NOTED.
 - ALL HEADERS IN NON-BEARING WALLS SHALL BE A SINGLE FLAT 2X4 OR 2X6 ATTACHED TO CRIPPLES ABOVE, UNLESS OTHERWISE NOTED.
 - TANKED WATER HEATER SHOWN AS BASE CONDITION, OPTIONAL TANKLESS WATER HEATER IS AVAILABLE IN LIEU OF TANKED WATER HEATER.

- GYPSUM NOTES**
- AT GARAGE:
GYPSUM BOARD AT COMMON WALLS, CEILINGS, BEAM WRAPS AND SUPPORTS PER STANDARD DETAIL FA-1(b) FIRE ASSEMBLIES OR AS REQUIRED BY LOCAL CODE.
- AT STAIRS:
1/2" GYPSUM BOARD AT UNDERSIDE OF STAIRS AND WALLS IN CLOSET



BASEMENT FLOOR PLAN
SCALE: 1/4" = 1'-0"

SHEET NO. A-6	MODEL ALLEGHENY DRAWING TITLE BASEMENT FLOOR PLAN OPTION DESCRIPTION 	SET NO. ALGOO VERSION 01 DRAWN BY TN DATE: 08/04/2017 OPTION	DIV-COMM-LOT-UNIT DCY-VG-L704 COMM-LOT VLGES OF WINDING CREEK WARR CO - L704 STREET ADDRESS 2219 COLD STREAM DR CITY STATE ZIP CENTERVILLE OH 45459
26			 NVR, Inc. Suite 100 Frederick, MD 21703 <small>© NVR, Inc. expressly reserves the copyright and all other rights in these plans. These plans are not to be reproduced, changed or copied in any form or by any means, electronic or mechanical, including photocopying, recording, or by any information storage and retrieval system, without the prior written consent of NVR, Inc.</small>

FIRST FLOOR JACK SCHEDULE				
IDENTIFIER	DESCRIPTION	ENG. NUM.	REMARKS	
J101	JACK - (2) 2X4 SFF STUD GRADE	1004		
J102	JACK - (2) 2X6 SFF STUD GRADE	1004		
J103	JACK - (3) 2X4 SFF#1	1008		
J104	JACK - (3) 2X4 SFF#1	1008		
J107	JACK - (3) 2X6 SFF #2	1014		
J108	JACK - (3) 2X4 SFF STUD GRADE	1014		
J109	JACK - (2) 2X6 SFF STUD GRADE	1016		
J110	JACK - (3) 2X4 SFF STUD GRADE	1016		
J111	JACK - (2) 2X4 SFF STUD GRADE	1025		
J112	JACK - (2) 2X4 SFF STUD GRADE	1025		
J113	JACK - (2) 2X4 SFF STUD GRADE	1033		
J115	JACK - (2) 2X4 SFF STUD GRADE	1006		
J120	JACK - (2) 2X4 SFF STUD GRADE	1021		
J121	JACK - (2) 2X4 SFF STUD GRADE	1021		
J122	JACK - (2) 2X4 SFF STUD GRADE	1021		
J124	JACK - (2) 2X4 SFF STUD GRADE	1021		

FIELD INSTALLED FIRST FLOOR BEAM/HEADER SCHEDULE				
IDENTIFIER	DESCRIPTION	LENGTH	ENG. NUM.	REMARKS
B101	BEAM STEEL - W10X30	20'-6"	1008	
PFI07-2	LVL 1.75 - 11-04	11'-4"	1025	2-PLY, I.A. PORTAL FRAME

STEEL COLUMN SCHEDULE				
IDENTIFIER	STYLE	HEIGHT	ENG. NUM.	REMARKS

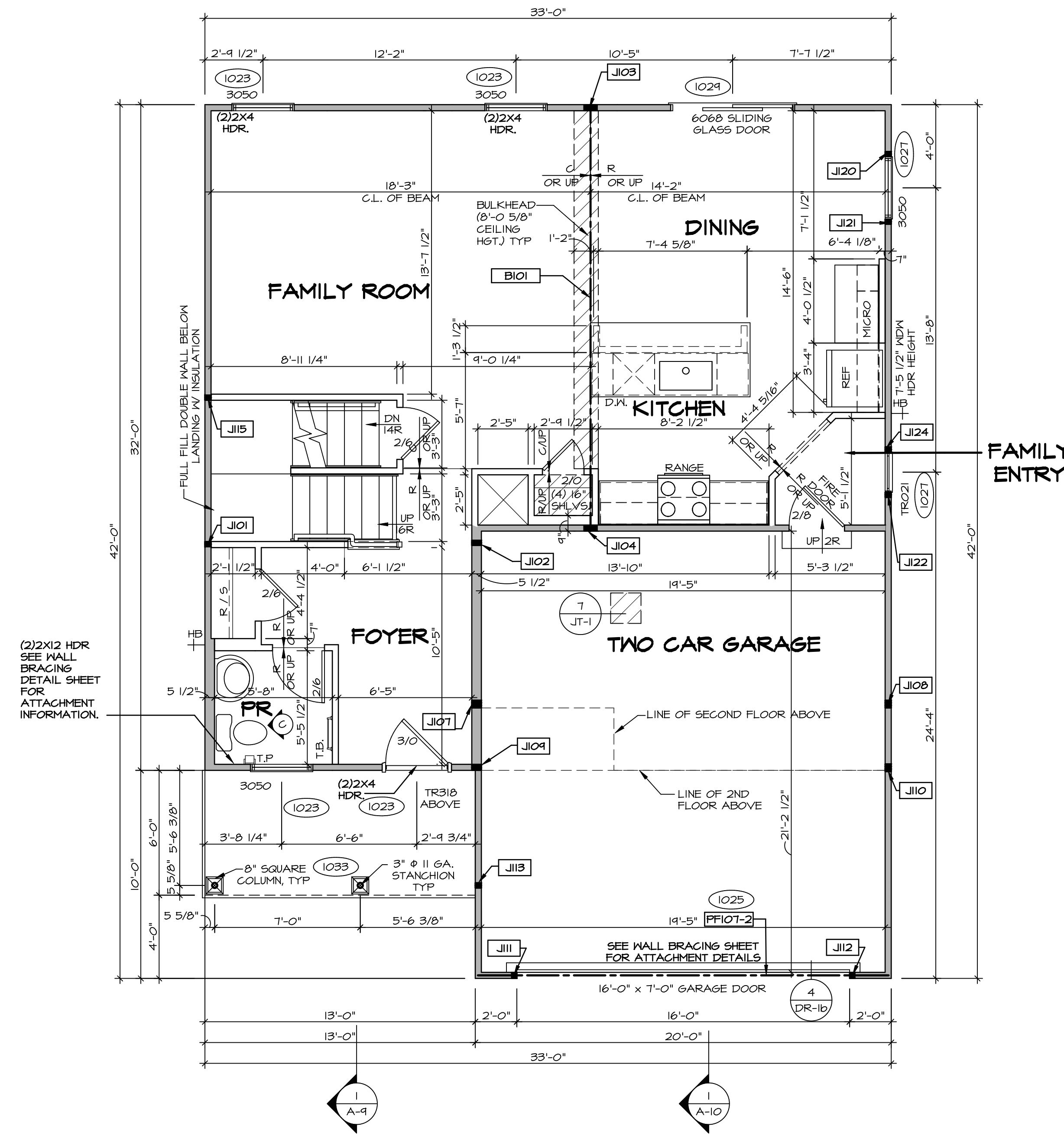
LEGEND	
	BEARING WALL
	NON BEARING WALL
	INDICATES BEARING FROM POINT-LOAD ABOVE
	JACKS
	BEAM/HEADER
	PAD FOOTING
	STEEL COLUMN
	PORTAL FRAME
	JOIST/TRUSS
	LVL
	ENGINEERING PAGE NUMBER

SEE FC DETAILS FOR FRAMING CONNECTORS

- FLOOR PLAN NOTES** RYAN
- ALL HEADERS ARE (2) 2x6 w/ 2x4 WALLS OR (3) 2x6 w/ 2x6 WALLS, UNLESS OTHERWISE NOTED.
 - ALL HEADERS TO HAVE (1) 2x4 OR 2x6 JACK AND KING STUD EACH END, UNLESS OTHERWISE NOTED.
 - ALL EXTERIOR WALLS TO BE 4" w/ OSB OR 3 1/2" w/ LAMINATED FIBROUS STRUCTURAL SHEATHING, ALL INTERIOR WALLS TO BE 3 1/2", UNLESS OTHERWISE NOTED.
 - HATCHED AREAS INDICATE DROPPED CEILINGS. ALL DROPPED CEILINGS ARE 12" UNLESS OTHERWISE NOTED.
 - SEE "BRACED WALL PANEL DETAIL SHEET" FOR SPECIAL WALL FRAMING LOCATIONS AND HEADER SIZES, IF APPLICABLE.
 - SEE STANDARD DETAIL CATEGORY "1T" SHEET(S) FOR INTERIOR TRIM DETAILS.
 - SEE ARCHITECTURAL DETAIL SHEET "AD" FOR HOUSE SPECIFIC INTERIOR TRIM OPTION TABLE.
 - ALL WINDOWS HAVE 7'-0" 1/2" HEADER HEIGHT UNLESS OTHERWISE NOTED.
 - ALL HEADERS IN NON-BEARING WALLS SHALL BE A SINGLE FLAT 2X4 OR 2X6 ATTACHED TO GRIPPLIES ABOVE, UNLESS OTHERWISE NOTED.
 - TANKED WATER HEATER SHOWN AS BASE CONDITION, OPTIONAL TANKLESS WATER HEATER IS AVAILABLE IN LIEU OF TANKED WATER HEATER.

- GYPSUM NOTES**
- AT GARAGE:
GYPSUM BOARD AT COMMON WALLS, CEILING, BEAM WRAPS AND SUPPORTS PER STANDARD DETAIL FA-1(b) FIRE ASSEMBLIES OR AS REQUIRED BY LOCAL CODE.
- AT STAIRS:
1/2" GYPSUM BOARD AT UNDERSIDE OF STAIRS AND WALLS IN CLOSET

- LVL PLY TO PLY FASTENING SCHEDULE:** (WHERE APPLICABLE BASED ON LVL USAGE)
- 1A - (2) PLY UP TO AND INCLUDING 11 7/8" TALL; FASTEN PLYS W/ (2) ROWS 16D NAILS AT 12" O.C. OR ALT 1 1/2" WIDE LVL FASTEN PLYS W/ (3) ROWS 12D NAILS AT 12" O.C.
 - 2A - (2) PLY 14" TO AND 18" TALL (INCLUSIVE); FASTEN PLYS W/ (3) ROWS 16D NAILS AT 12" O.C. OR ALT 1 1/2" WIDE LVL FASTEN PLYS W/ (4) ROWS 12D NAILS AT 12" O.C.
 - 3A - (2) PLY 20" TALL AND OVER; FASTEN PLYS W/ (4) ROWS 16D NAILS AT 12" O.C. OR ALT 1 1/2" WIDE LVL FASTEN PLYS W/ (5) ROWS 12D NAILS AT 12" O.C.
 - 4A - (3) PLY UP TO AND INCLUDING 11 7/8" TALL; FASTEN PLYS W/ (2) ROWS 16D NAILS AT 12" O.C. FROM EACH SIDE OR ALT 1 1/2" WIDE LVL FASTEN PLYS W/ (3) ROWS 12D NAILS AT 12" O.C. FROM EACH SIDE.
 - 5A - (3) PLY 14" TO AND 18" TALL (INCLUSIVE); FASTEN PLYS W/ (3) ROWS 16D NAILS AT 12" O.C. FROM EACH SIDE OR ALT 1 1/2" WIDE LVL FASTEN PLYS W/ (4) ROWS 12D NAILS AT 12" O.C. FROM EACH SIDE.
 - 6A - (3) PLY 20" TALL AND OVER; FASTEN PLYS W/ (4) ROWS 16D NAILS AT 12" O.C. FROM EACH SIDE OR ALT 1 1/2" WIDE LVL FASTEN PLYS W/ (5) ROWS 12D NAILS AT 12" O.C. FROM EACH SIDE.
 - 7A - (4) PLY (ALL SIZES); FASTEN PLYS W/ (2) ROWS 1/2" DIAMETER A307 BOLTS AT 24" O.C. SEE SHOP DRAWING FOR ADDITIONAL INFORMATION.



FIRST FLOOR PLAN
SCALE: 1/4" = 1'-0"

DCY-VG-L704

DIV-COMM-LOT-UNIT

COMM-LOT
VILLES OF MINDING CREEK WARR CO - L704

APT. NO.
202

ZIP
45459

STREET ADDRESS
2219 COLD STREAM DR

CITY
CENTERVILLE

STATE
OH

MODEL
ALLEGHENY

SET NO. ALGOO
VERSION 01

DRAWN BY YON

DATE: 08/10/2017

OPTION

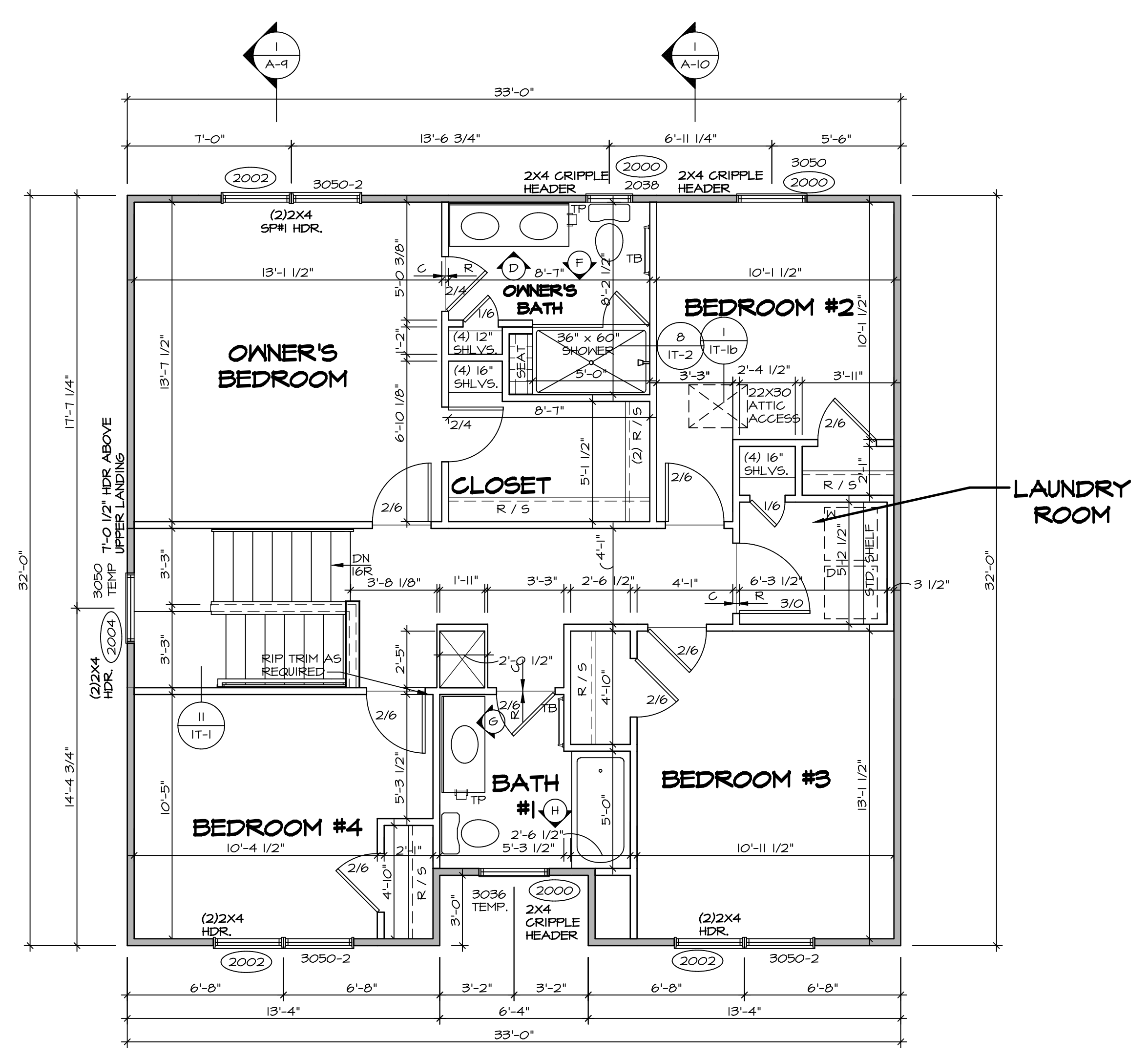
SHEET NO.
A-7

DRAWING TITLE
FIRST FLOOR PLAN

OPTION DESCRIPTION

28

C:\NVR\Solves\ALLEGHENY_ALGOO_01\DCY-VG-L704\2490415\Sheets\Lot_Specific\A-7_PLINT_LS.dwg 07/09/22 - 2:24 pm



SECOND FLOOR PLAN
SCALE: 1/4" = 1'-0"

LEGEND	
	BEARING WALL
	NON BEARING WALL
	INDICATES BEARING FROM POINT-LOAD ABOVE
	JACKS
	BEAM/HEADER
	PAD FOOTING
	STEEL COLUMN
	PORTAL FRAME
	JOIST/TRUSS
	LVL
	ENGINEERING PAGE NUMBER

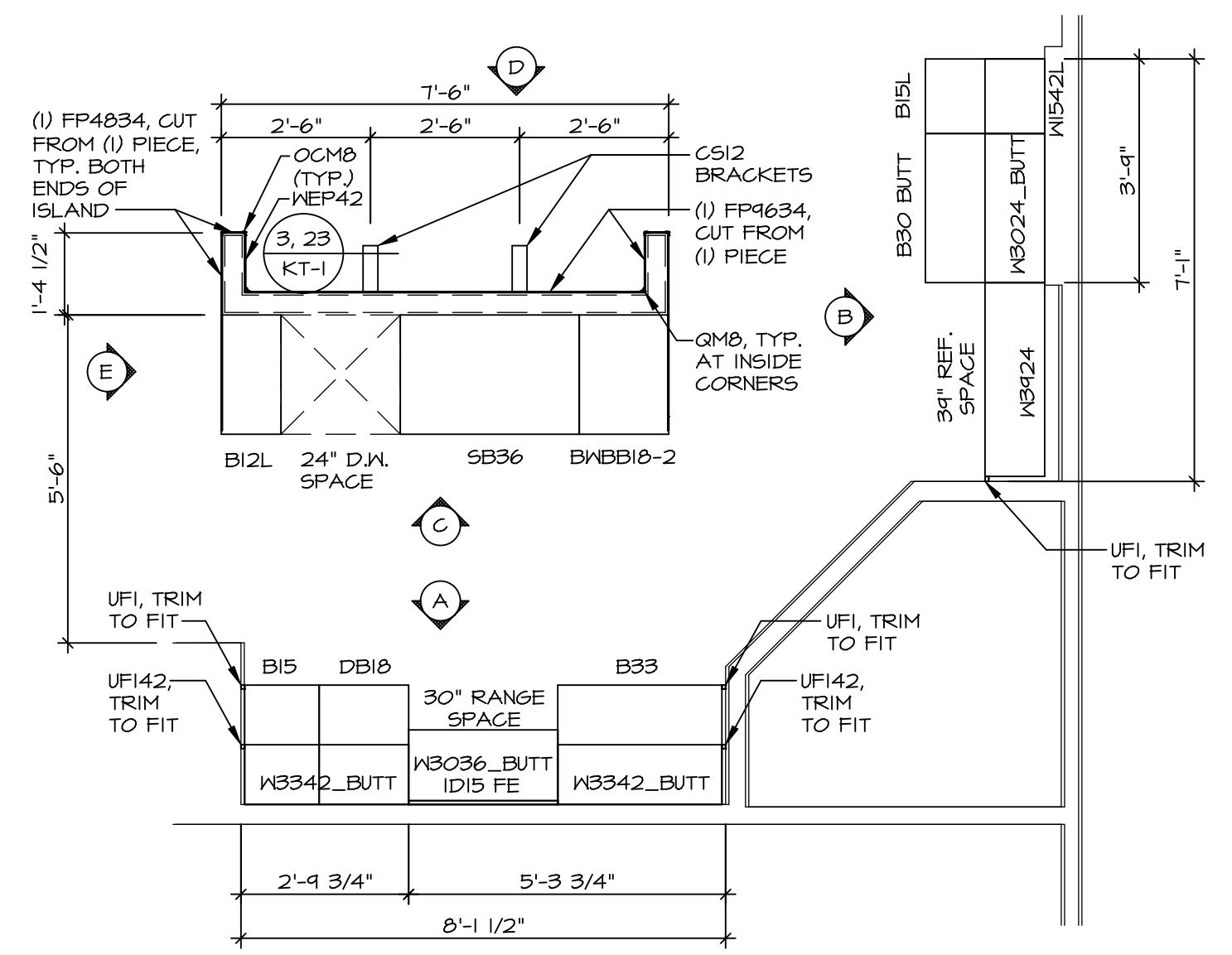
SEE FC DETAILS FOR FRAMING CONNECTORS

- FLOOR PLAN NOTES** RYAN
- ALL HEADERS ARE (2) 2x6 w/ 2x4 WALLS OR (3) 2x6 w/ 2x6 WALLS, UNLESS OTHERWISE NOTED.
 - ALL HEADERS TO HAVE (1) 2x4 OR 2x6 JACK AND KING STUD EACH END, UNLESS OTHERWISE NOTED.
 - ALL EXTERIOR WALLS TO BE 4" w/ OSB OR 3 1/2" w/ T-PLY, ALL INTERIOR WALLS TO BE 3 1/2", UNLESS OTHERWISE NOTED.
 - HATCHED AREAS INDICATE DROPPED CEILINGS. ALL DROPPED CEILINGS ARE 12" UNLESS OTHERWISE NOTED.
 - SEE "BRACED WALL PANEL DETAIL SHEET" FOR SPECIAL WALL FRAMING LOCATIONS AND HEADER SIZES, IF APPLICABLE.
 - SEE STANDARD DETAIL CATEGORY "1T" SHEET(S) FOR INTERIOR TRIM DETAILS.
 - SEE ARCHITECTURAL DETAIL SHEET "AD" FOR HOUSE SPECIFIC INTERIOR TRIM OPTION TABLE.
 - ALL WINDOWS HAVE 7'-0" 1/2" HEADER HEIGHT UNLESS OTHERWISE NOTED.
 - ALL HEADERS IN NON-BEARING WALLS SHALL BE A SINGLE FLAT 2x4 OR 2x6 ATTACHED TO CRIPPLES ABOVE, UNLESS OTHERWISE NOTED.
 - TANKED WATER HEATER SHOWN AS BASE CONDITION, OPTIONAL TANKLESS WATER HEATER IS AVAILABLE IN LIEU OF TANKED WATER HEATER.

- GYPSUM NOTES**
- AT GARAGE:
GYPSUM BOARD AT COMMON WALLS, CEILINGS, BEAM WRAPS AND SUPPORTS PER STANDARD DETAIL FA-1(b) FIRE ASSEMBLIES OR AS REQUIRED BY LOCAL CODE.
- AT STAIRS:
1/2" GYPSUM BOARD AT UNDERSIDE OF STAIRS AND WALLS IN CLOSET

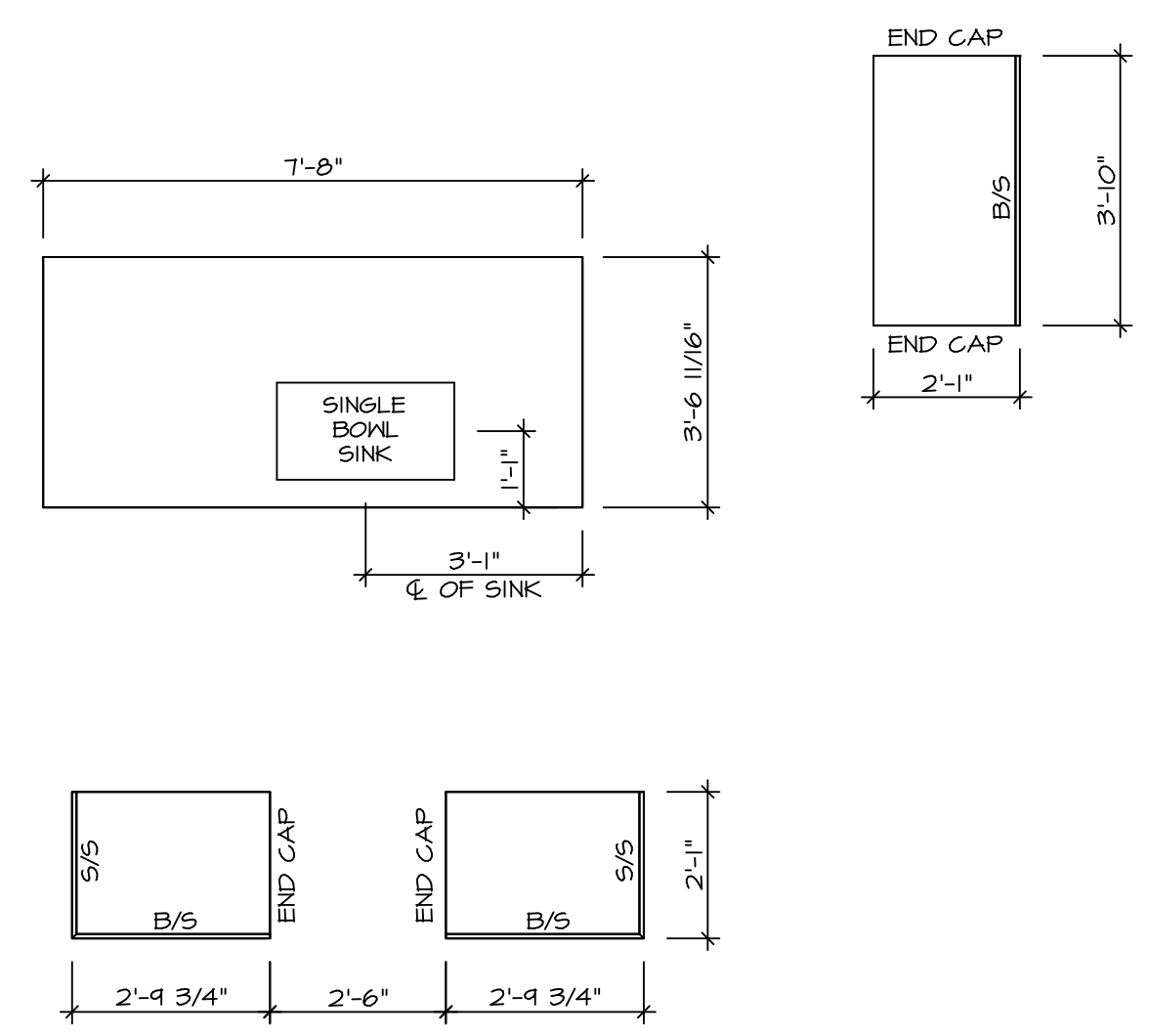
SHEET NO. A-8	MODEL ALLEGHENY	SET NO. ALGOO	VERSION 01
		DRAWN BY YON	DATE: 08/10/2017
OPTION DESCRIPTION 31	DRAWING TITLE SECOND FLOOR PLAN	OPTION	
		OPTION	
DIV-COMM-LOT-UNIT DCY-VG-L704 COMM-LOT VILLES OF MINDING CREEK WARR CO - L704 STREET ADDRESS 2219 COLD STREAM DR CITY STATE OH CENTERVILLE OH ZIP 45456		© NVR, Inc. expressly reserves the right to modify these plans without notice. These plans are not to be reproduced, changed or altered in any way without the written consent of NVR, Inc.	
NVR, Inc. Suite 100 5285 Washington Blvd. Frederick, MD 21703		C:\NVR\Solves\ALLEGHENY_ALGOO_01\DCY-VG-L704\2490415\Sheets\Lot_Specific\31_A-8_PLN2_US.dwg 07/09/22 - 2.24 gm	

- NOTES:**
- CABINET LAYOUT (S) ARE BASED ON FINISHED DIMENSIONS TO DRYWALL.
 - IF KITCHEN PLANS/ELEVATIONS CALL-OUT STANDARD MOLDING, REFER TO STANDARD DETAIL (I/KT-1) FOR REPLACEMENT BASED ON CABINET STYLE.
 - ALL (U#) FILLERS ARE TO BE "TRIM TO FIT" UNLESS OTHERWISE NOTED.
 - CABINET MUST BE SET, SHIMMED, LEVELED AND FLIMS W/ ADJOINING BASE CABINETS.
 - SET PRE-FINISHED SCRIBE MOLDING AT CABINET BULKHEADS AND AT ENDS (WHERE CABINETS MEET DRYWALL) PRE-FINISHED SCRIBE MOLDING SHALL BE USED TO PAD OUT CABINET SIDES AT STILE FOR RETURN PIECES OF THE FACE-MOUNTED CABINET CROWN MOLDING.
 - HARDWARE INSTALL NOTE: KNOBS GO ON DOORS AND DRAWERS FOR ALL AREAS, ALL DRAWER FRONTS AND DOORS GET (I) KNOB/PULL. NO HARDWARE ON FALSE DRAWER FRONTS.



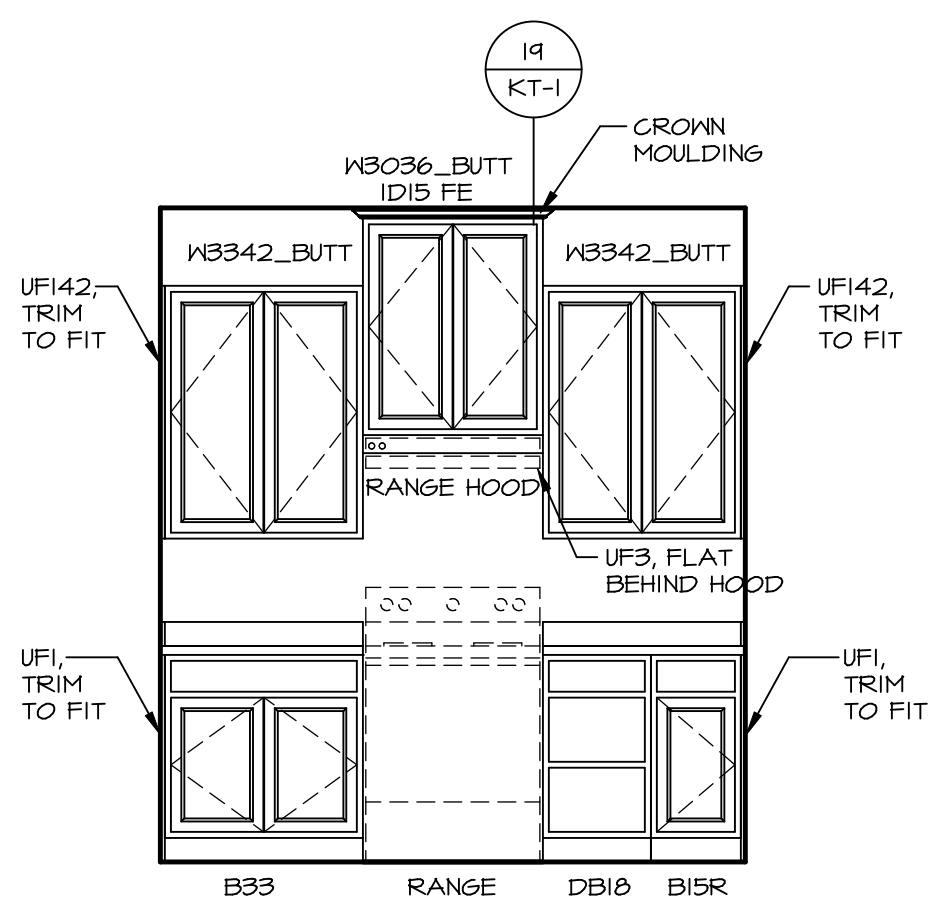
KITCHEN CABINET PLAN KC - 3489TC

1
A-12 SCALE: 3/8" = 1'-0"

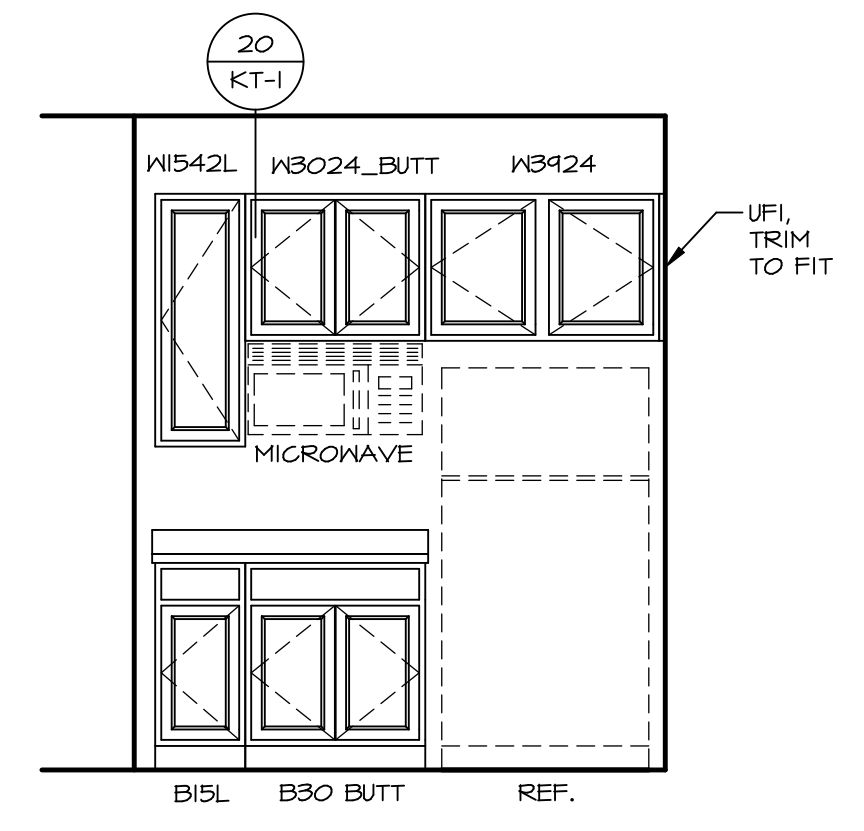


KITCHEN COUNTERTOP PLAN KC - 3489TC

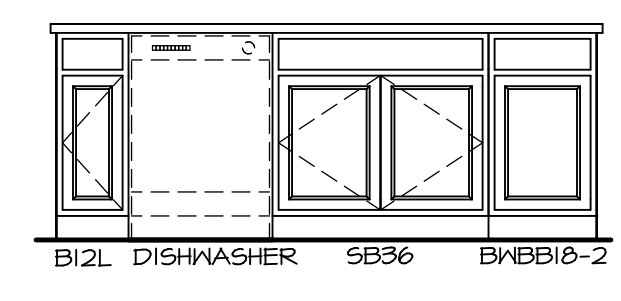
2
A-12 SCALE: 3/8" = 1'-0"



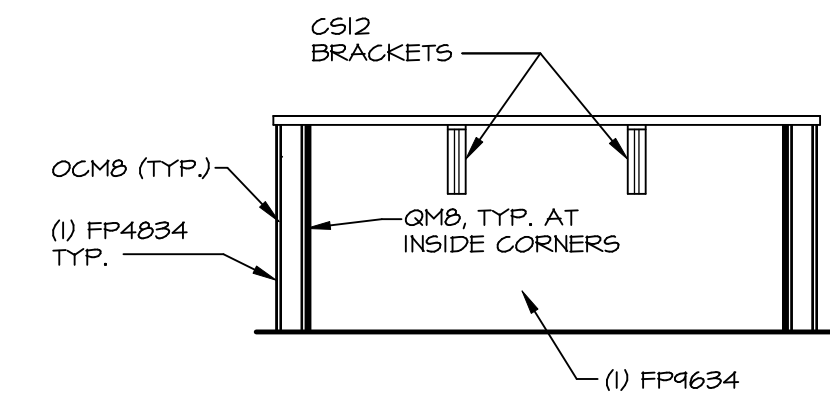
A ELEVATION "A"
SCALE: 3/8" = 1'-0"



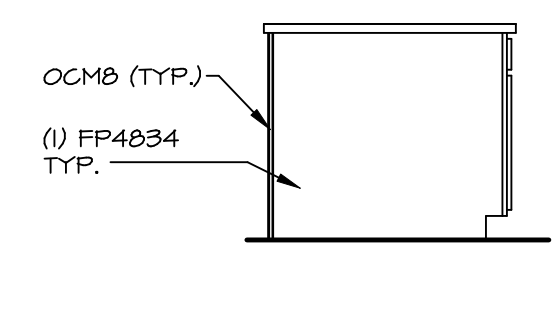
B ELEVATION "B"
SCALE: 3/8" = 1'-0"



C ELEVATION "C"
SCALE: 3/8" = 1'-0"

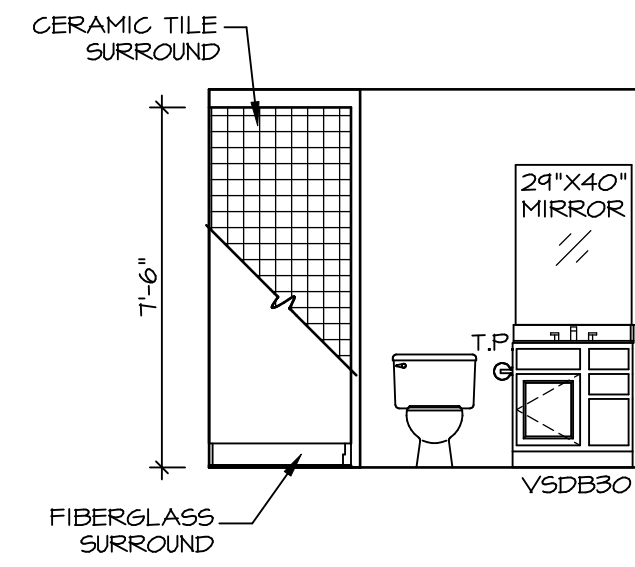


D ELEVATION "D"
SCALE: 3/8" = 1'-0"

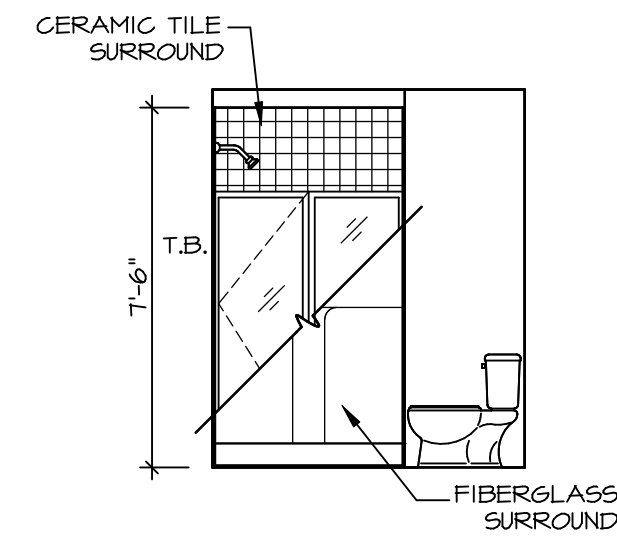


E ELEVATION "E"
SCALE: 3/8" = 1'-0"

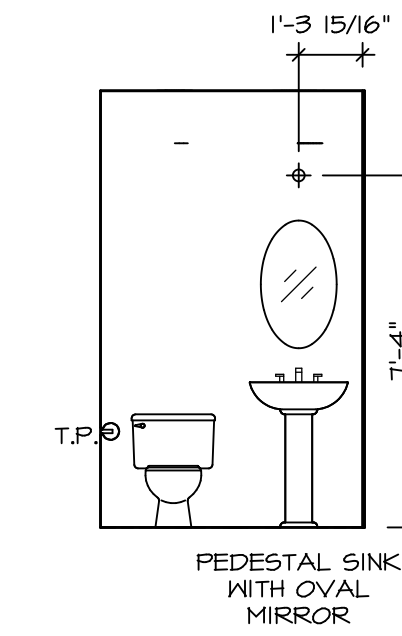
SHEET NO. A-12	MODEL ALLEGHENY	SET NO. ALG00	VERSION 01	DRAWN BY KDH	DATE: 8/3/17	OPTION
		DRAWING TITLE KITCHEN PLANS				
DRAWING DESCRIPTION 43		DIV-COMM-LOT-UNIT DCY-VG-LT04 COMM-LOT VLG6 OF WINDING CREEK WARR CO - LT04 STREET ADDRESS 2219 COLD STREAM DR CITY STATE OH ZIP CENTERVILLE OH 45458				
© NVR, Inc. expressly reserves the right to modify these plans without notice. These plans are not to be reproduced, changed or altered in any way without the written consent of NVR, Inc.		NVR, Inc. Suite 100 5285 Washington Blvd. Frederick, MD 21703				



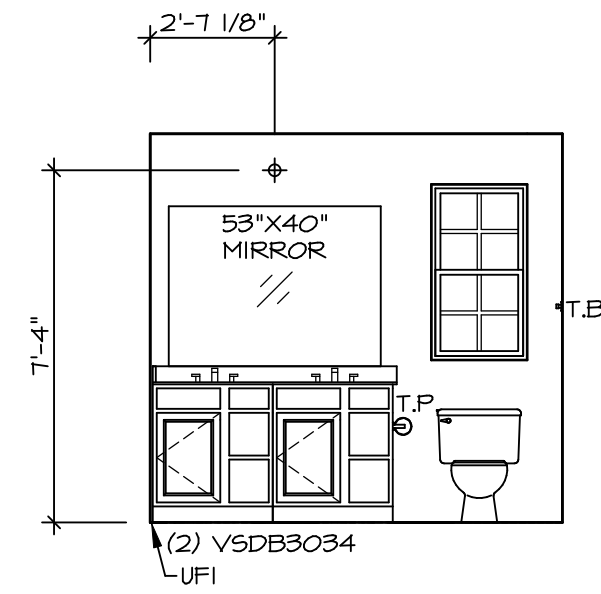
A BASEMENT BATH
SCALE: 1/4" = 1'-0"



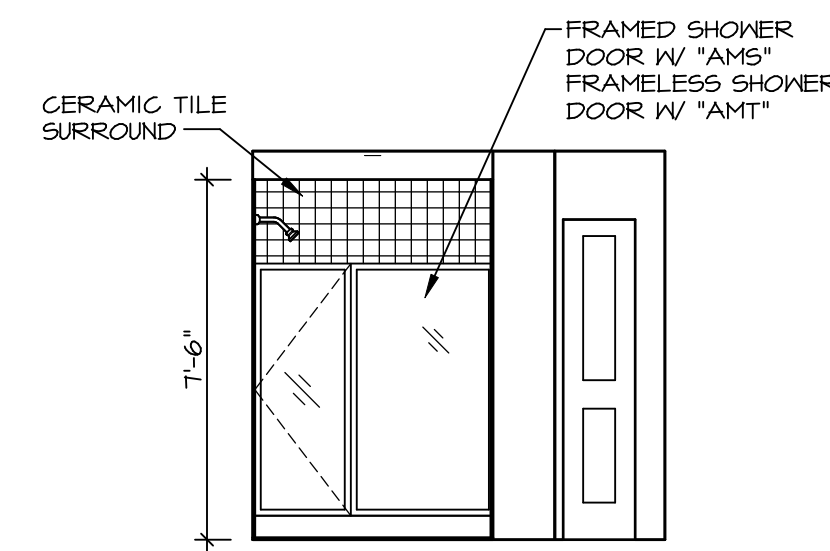
B BASEMENT BATH
SCALE: 1/4" = 1'-0"



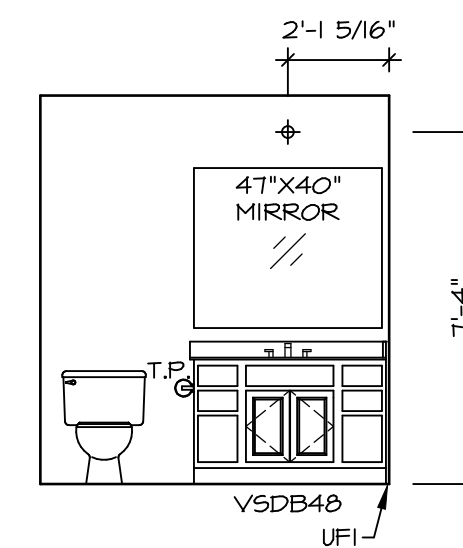
C POWDER ROOM
SCALE: 1/4" = 1'-0"



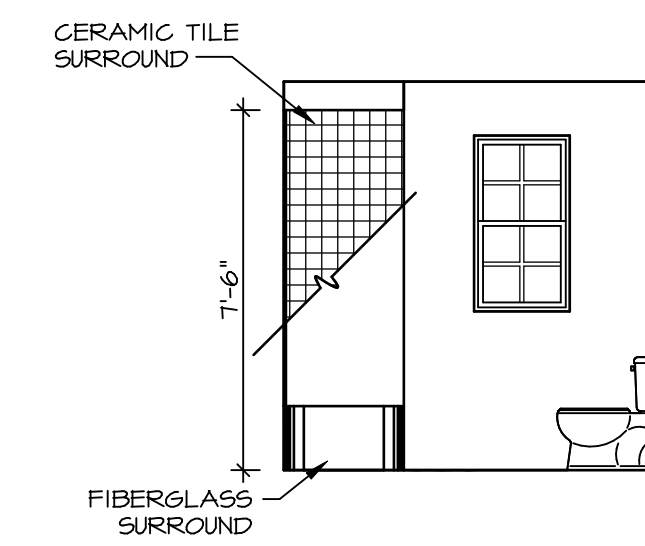
D OWNER'S BATH
SCALE: 1/4" = 1'-0"



F OWNER'S BATH
SCALE: 1/4" = 1'-0"



G BATH #1
SCALE: 1/4" = 1'-0"



H BATH #1
SCALE: 1/4" = 1'-0"

NOTES:

1. TEMPERED GLASS SHOWER ENCLOSURE WITH SWING DOOR OR OPTIONAL SLIDING DOOR BY DIVISION
2. TUB ACCESS PANELS PROVIDED AS NEEDED, ALL MATERIALS BY DIVISION
3. REFER TO SHEET IT-2 FOR TUB AND SHOWER DETAILS.
4. ALL V5DB24-42 DRAWERS TO BE SET ON RIGHT HAND.
5. ALL BATH ELEVATIONS ARE SHOWN PER PLAN.

SHEET NO. A-13	MODEL ALLEGHENY	SET NO. ALGOO	OPTION OPTION
	DRAWING TITLE BATH ELEVATIONS	VERSION 01	
44	ALLEGHENY BATH ELEVATIONS	DIV-COMM-LOT-UNIT DCY-VG-LT04	
		COMM-LOT VLGS OF KINDING CREEK WARR CO - LT04	
OPTION DESCRIPTION		STREET ADDRESS 2219 COLD STREAM DR	
		CITY CENTERVILLE	STATE OH
		ZIP 45456	APT. NO. 202

NVR
NVR, Inc., Suite 100
5285 Westchester, Frederick, MD 21703

© NVR, Inc. expressly reserves the right to modify or amend these plans at any time without notice. These plans are not to be reproduced, changed or altered in any way without the written consent of NVR, Inc.

© NVR, Inc. expressly reserves the right to modify or amend these plans at any time without notice. These plans are not to be reproduced, changed or altered in any way without the written consent of NVR, Inc.