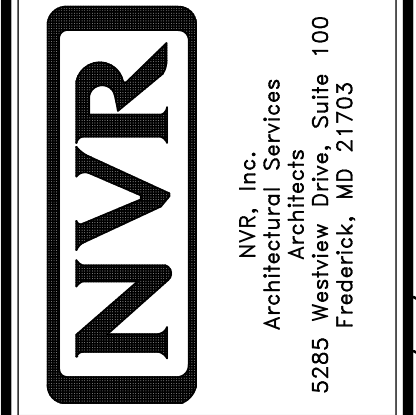


PLUMBING PLAN

SCALE: 1/4" = 1'-0"

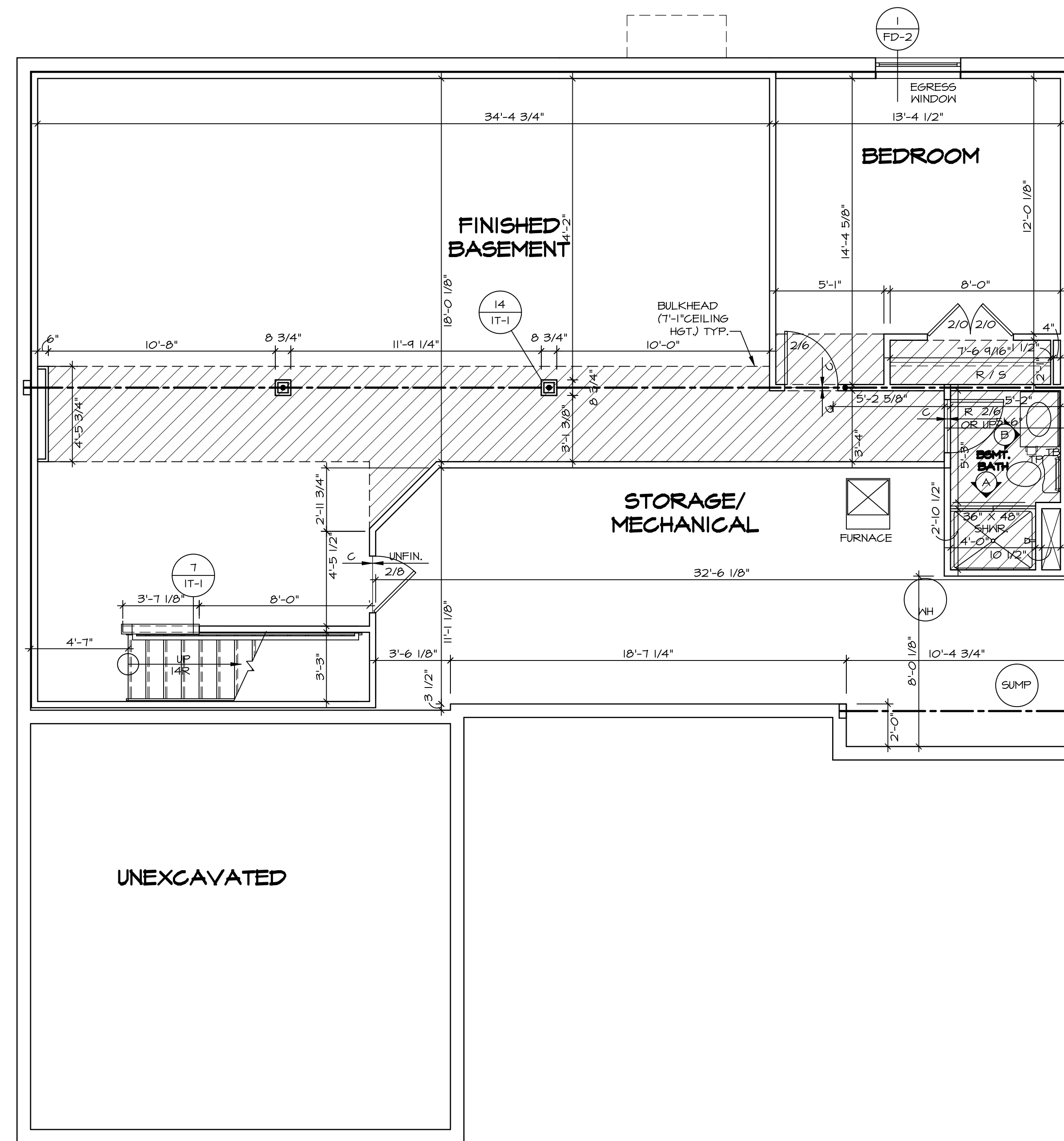
1
A-5

SHEET NO. A-5	MODEL AVIANO	SET NO. A/A00 VERSION 01
	DRAWING TITLE PLUMBING PLAN	DRAWN BY
OPTION DESCRIPTION	DATE:	OPTION
26		



NVR, Inc., owner, expressly reserves its copyright in these plans. These plans are not to be reproduced, changed, copied, or otherwise used in any way without the prior written consent of NVR, Inc.

REV. NO.	DATE	REMARKS



BASEMENT FLOOR PLAN
 SCALE: 1/4" = 1'-0"

LEGEND	
	BEARING WALL
	NON BEARING WALL
	INDICATES BEARING FROM POINT-LOAD ABOVE
	JACKS
	BEAM/HEADER
	PAD FOOTING
	STEEL COLUMN
	PORTAL FRAME
	JOIST/TRUSS
	LVL
	ENGINEERING PAGE NUMBER

SEE FC DETAILS FOR FRAMING CONNECTORS

- FLOOR PLAN NOTES**
- ALL HEADERS ARE (2) 2x6 w/ 2x4 WALLS OR (3) 2x6 w/ 2x6 WALLS, UNLESS OTHERWISE NOTED.
 - ALL HEADERS TO HAVE (1) 2x4 OR 2x6 JACK EACH END, UNLESS OTHERWISE NOTED.
 - ALL EXTERIOR WALLS TO BE 4" AND ALL INTERIOR WALLS TO BE 3 1/2", UNLESS OTHERWISE NOTED.
 - HATCHED AREAS INDICATE DROPPED CEILINGS. ALL DROPPED CEILINGS ARE 12" UNLESS OTHERWISE NOTED.
 - SEE "BRACED WALL PANEL DETAIL SHEET" FOR SPECIAL WALL FRAMING LOCATIONS AND HEADER SIZES, IF APPLICABLE.
 - SEE STANDARD DETAIL CATEGORY "IT" SHEET(S) FOR INTERIOR TRIM DETAILS.
 - SEE ARCHITECTURAL DETAIL SHEET "AD" FOR HOUSE SPECIFIC INTERIOR TRIM OPTION TABLE.
 - ALL WINDOWS HAVE 7'-0 1/2" HEADER HEIGHT UNLESS OTHERWISE NOTED.

- GYPSUM NOTES**
- AT GARAGE:
 GYPSUM BOARD AT COMMON WALLS, CEILING, BEAM WRAPS AND SUPPORTS PER STANDARD DETAIL FA-1(b) FIRE ASSEMBLIES OR AS REQUIRED BY LOCAL CODE.
- AT STAIRS:
 1/2" GYPSUM BOARD AT UNDERSIDE OF STAIRS AND WALLS IN CLOSET

SHEET NO.	MODEL	SET NO.	DATE	REV. NO.	DATE	REMARKS
A-6	AVIANO	01	9/1/15			
29	BASEMENT FLOOR PLAN	56A				

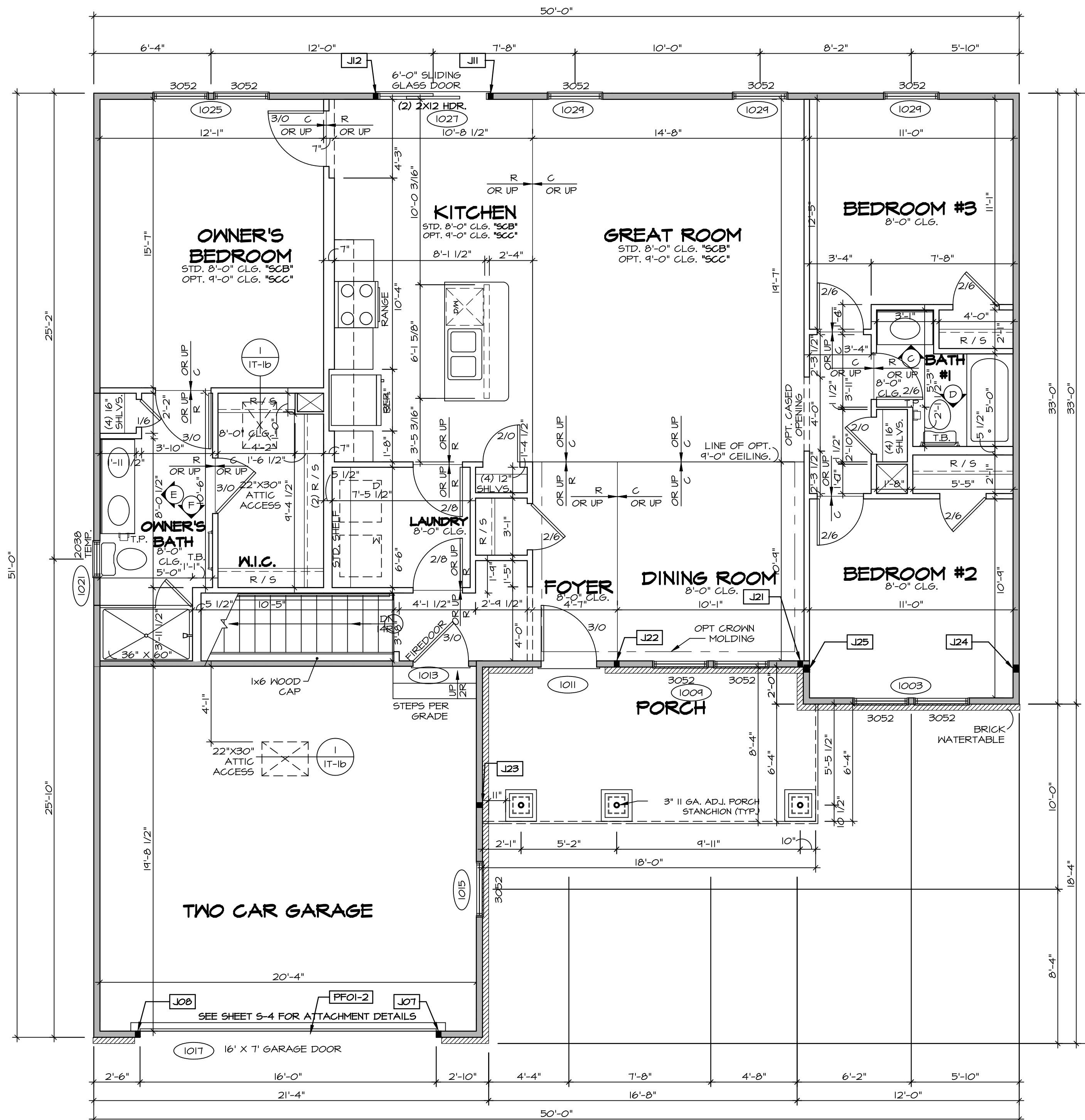
NVR, Inc., owner, expressly reserves its copyright in these plans. These plans are not to be reproduced, changed, copied, or otherwise used without the written consent of NVR, Inc.

NVR
 NVR, Inc.
 Architects
 5285 Westover Hills
 Frederick, MD 21703

OPTION DESCRIPTION

OPTION 01
 DRAWN BY SGA
 DATE: 9/1/15

C:\NVR\Solves\AVIANO_AIA00_01\DC1-16-1482\04356\Sheets\01_Specific\29 A-6 BSMT_LS.dwg 08/18/18 - 3:05 pm



FIRST FLOOR PLAN

SCALE: 1/4" = 1'-0"

LEGEND

- BEARING WALL
- NON BEARING WALL
- INDICATES BEARING FROM POINT-LOAD ABOVE
- JACKS
- BEAM/HEADER
- PAD FOOTING
- STEEL COLUMN
- PORTAL FRAME
- JOIST/TRUSS
- LVL
- ENGINEERING PAGE NUMBER

SEE FC DETAILS FOR FRAMING CONNECTORS

- FLOOR PLAN NOTES**
- ALL HEADERS ARE (2) 2x6 w/ 2x4 WALLS OR (3) 2x6 w/ 2x6 WALLS, UNLESS OTHERWISE NOTED.
 - ALL HEADERS TO HAVE (1) 2x4 OR 2x6 JACK AND KING STUD EACH END, UNLESS OTHERWISE NOTED.
 - ALL EXTERIOR WALLS TO BE 4" w/ OSB OR 3 1/2" w/ T-PLY, ALL INTERIOR WALLS TO BE 3 1/2", UNLESS OTHERWISE NOTED.
 - HATCHED AREAS INDICATE DROPPED CEILING. ALL DROPPED CEILING ARE 12" UNLESS OTHERWISE NOTED.
 - SEE "BRACED WALL PANEL DETAIL SHEET" FOR SPECIAL WALL FRAMING LOCATIONS AND HEADER SIZES, IF APPLICABLE.
 - SEE STANDARD DETAIL CATEGORY "IT" SHEET(S) FOR INTERIOR TRIM DETAILS.
 - SEE ARCHITECTURAL DETAIL SHEET "AD" FOR HOUSE SPECIFIC INTERIOR TRIM TABLE.
 - ALL WINDOWS HAVE 7'-0 1/2" HEADER HEIGHT UNLESS OTHERWISE NOTED.
 - ALL HEADERS IN NON-BEARING WALLS SHALL BE A SINGLE FLAT 2X4 OR 2X6 ATTACHED TO CRIPPLES ABOVE, UNLESS OTHERWISE NOTED.

- GYPSUM NOTES**
- AT GARAGE:**
GYPSUM BOARD AT COMMON WALLS, CEILING, BEAM WRAPS AND SUPPORTS PER STANDARD DETAIL FA-1(b) FIRE ASSEMBLIES OR AS REQUIRED BY LOCAL CODE.
- AT STAIRS:**
1/2" GYPSUM BOARD AT UNDERSIDE OF STAIRS AND WALLS IN CLOSET

LVL PLY TO PLY FASTENING SCHEDULE:

- 1A - (2) PLY UP TO AND INCLUDING 11 7/8" TALL; FASTEN PLYS w/ (2) ROWS 16D NAILS AT 12" O.C.
- 2A - (2) PLY 14" TO AND 18" TALL (INCLUSIVE); FASTEN PLYS w/ (3) ROWS 16D NAILS AT 12" O.C.
- 3A - (2) PLY 20" TALL AND OVER; FASTEN PLYS w/ (4) ROWS 16D NAILS AT 12" O.C.
- 4A - (3) PLY UP TO AND INCLUDING 11 7/8" TALL; FASTEN PLYS w/ (2) ROWS 16D NAILS AT 12" O.C. FROM EACH SIDE
- 5A - (3) PLY 14" TO AND 18" TALL (INCLUSIVE); FASTEN PLYS w/ (3) ROWS 16D NAILS AT 12" O.C. FROM EACH SIDE
- 6A - (3) PLY 20" TALL AND OVER; FASTEN PLYS w/ (4) ROWS 16D NAILS AT 12" O.C. FROM EACH SIDE

FIELD INSTALLED FIRST FLOOR BEAM/HEADER SCHEDULE

IDENTIFIER	DESCRIPTION	LENGTH	OPTIONS	ENG. NUM.	REMARKS
PFOI-2	EXT HEADER - 2X12 - 2 PLY	20'-4"	GCB	1017	

FIRST FLOOR JACK SCHEDULE

IDENTIFIER	DESCRIPTION	OPTIONS	ENG. NUM.	REMARKS
J01	JACK - (2) 2X4 SFF STUD GRADE	GCB	1017	
J08	JACK - (2) 2X4 SFF STUD GRADE	GCB	1017	
J11	JACK - (2) 2X4 SFF STUD GRADE		1021	
J12	JACK - (2) 2X4 SFF STUD GRADE		1021	
J21	JACK - (2) 2X4 SFF STUD GRADE	ELL	1033	
J22	JACK - (2) 2X4 SFF STUD GRADE	ELL	1033	
J23	JACK - (2) 2X4 SFF STUD GRADE	ELL	1033	
J24	JACK - (3) 2X4 SFF STUD GRADE		1036	
J25	JACK - (3) 2X4 SFF STUD GRADE		1036	

REVISIONS

REV. NO.	DATE	DESCRIPTION
1	7/8/17	DRH - T-PLY CONVERSION

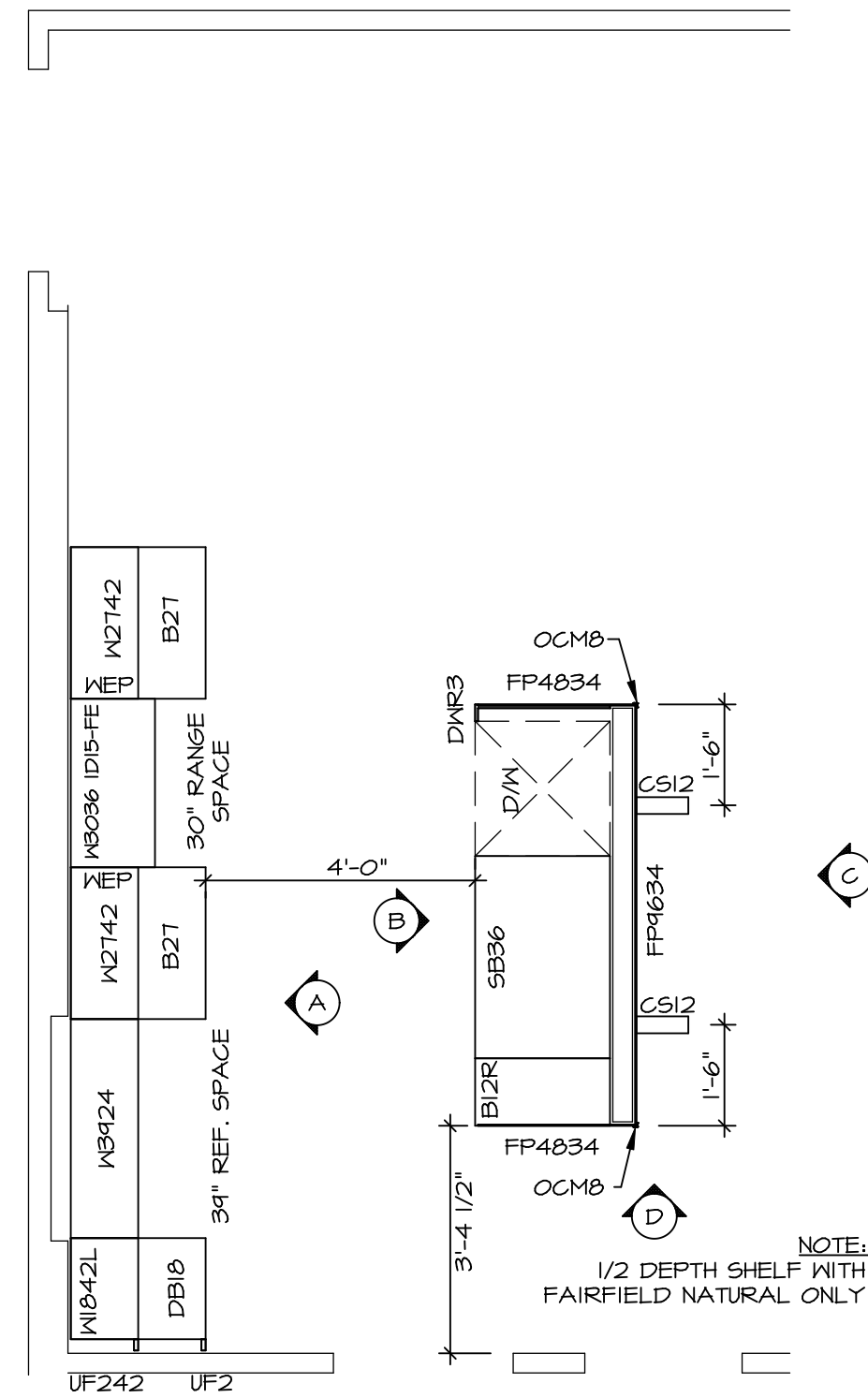
NVR, Inc., owner, expressly reserves its copyright in these plans. These plans are not to be reproduced, changed, copied, or otherwise used in any way without the written consent of NVR, Inc.

NVR
Architectural Services
100
5285 West
Frederick, MD 21703

MODEL: AVIANO
DRAWING TITLE: FIRST FLOOR PLAN
OPTION DESCRIPTION: 31

SET NO. A1A00
VERSION 01
DRAWN BY: SGA
DATE: 9/17/15
OPTION

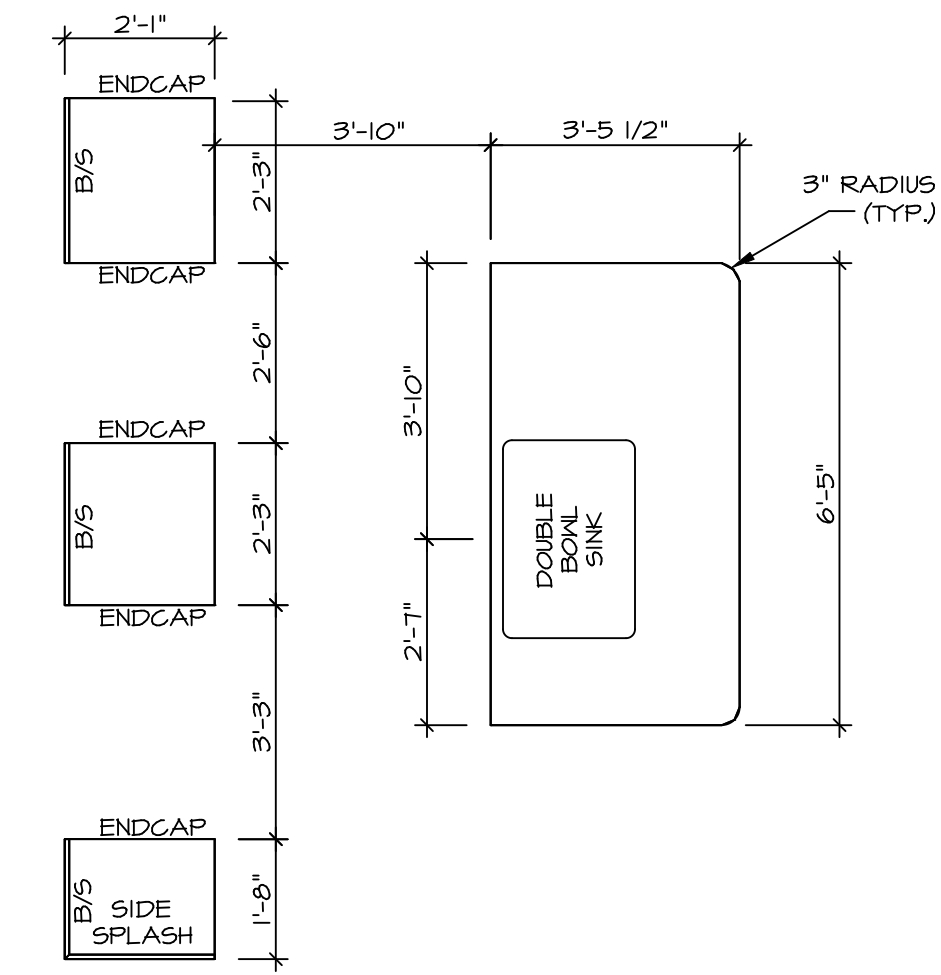
SHEET NO. A-7
31



**KITCHEN CABINET
PLAN / KC-343I**

SCALE: 3/8" = 1'-0"

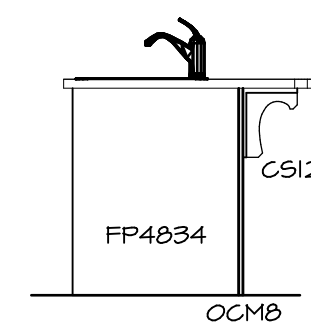
1
A-II



**KITCHEN COUNTERTOP
PLAN / KC-343I**

SCALE: 3/8" = 1'-0"

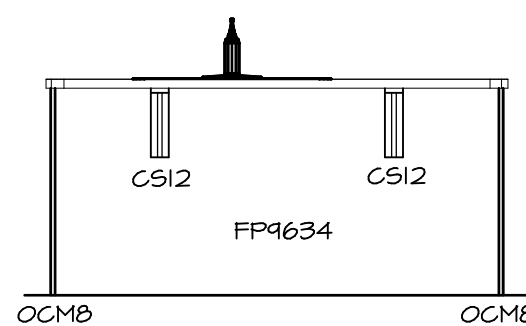
2
A-II



KITCHEN ELEVATION

SCALE: 3/8" = 1'-0"

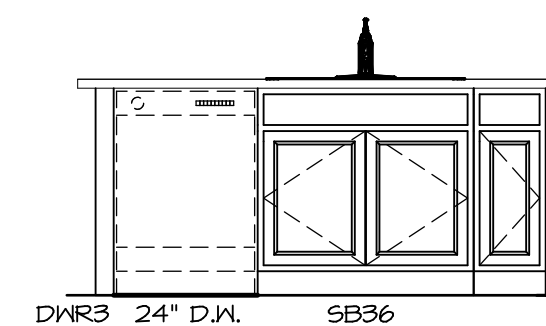
D



KITCHEN ELEVATION

SCALE: 3/8" = 1'-0"

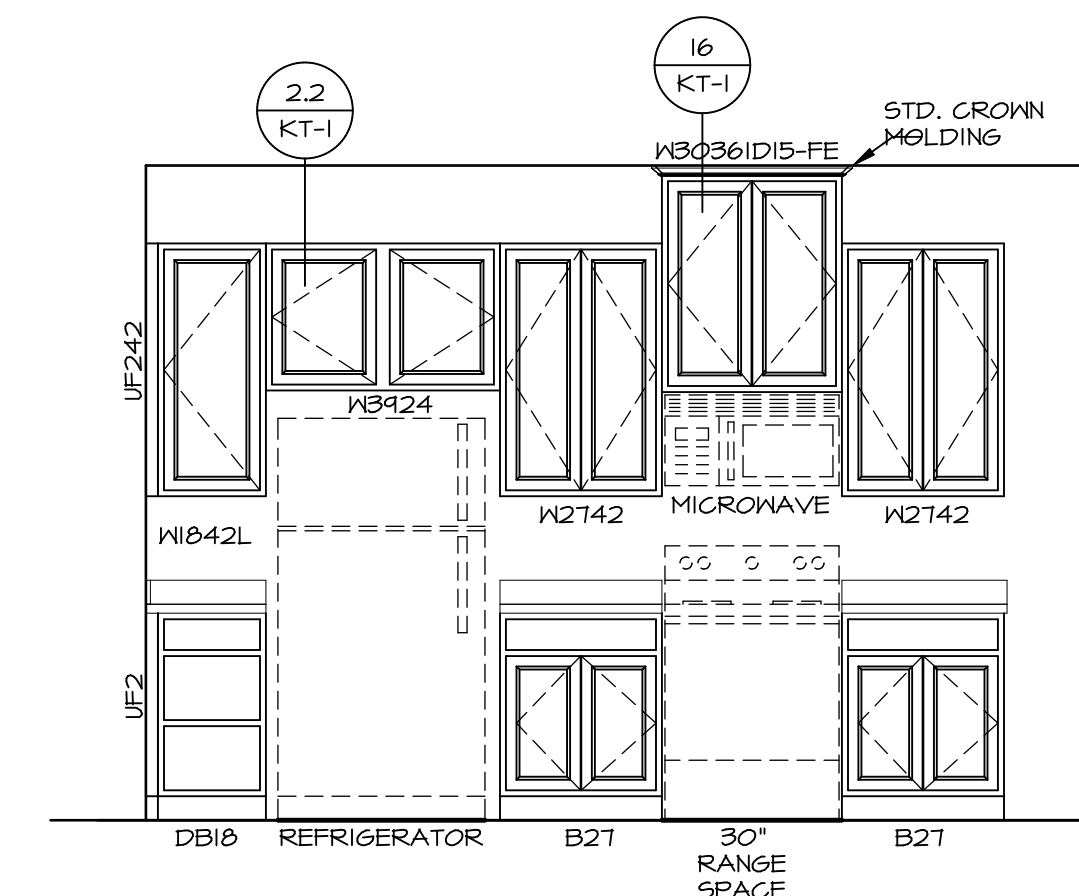
C



KITCHEN ELEVATION

SCALE: 3/8" = 1'-0"

B



KITCHEN ELEVATION

SCALE: 3/8" = 1'-0"

A

KITCHEN ELEVATIONS

SCALE: 1/4" = 1'-0"

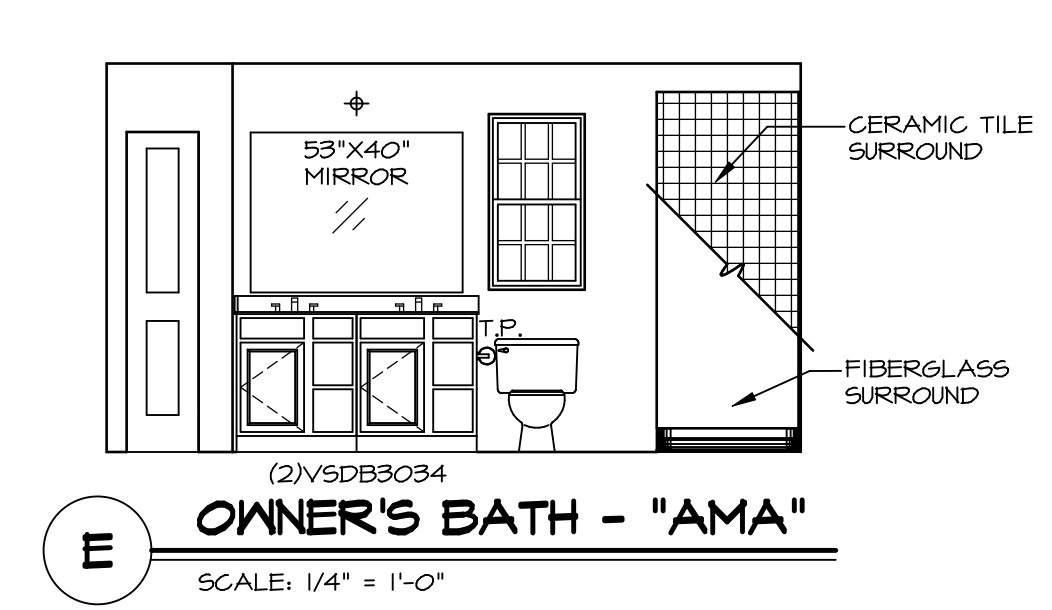
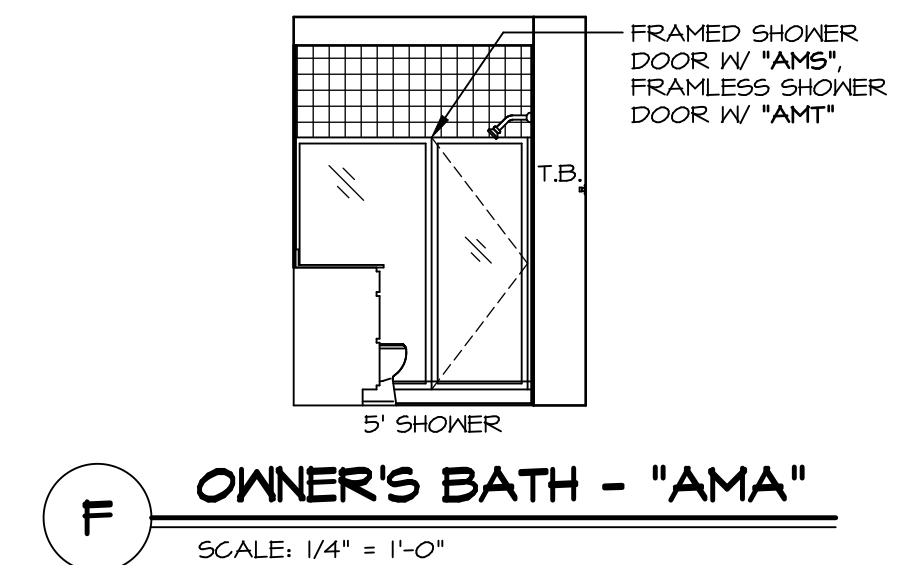
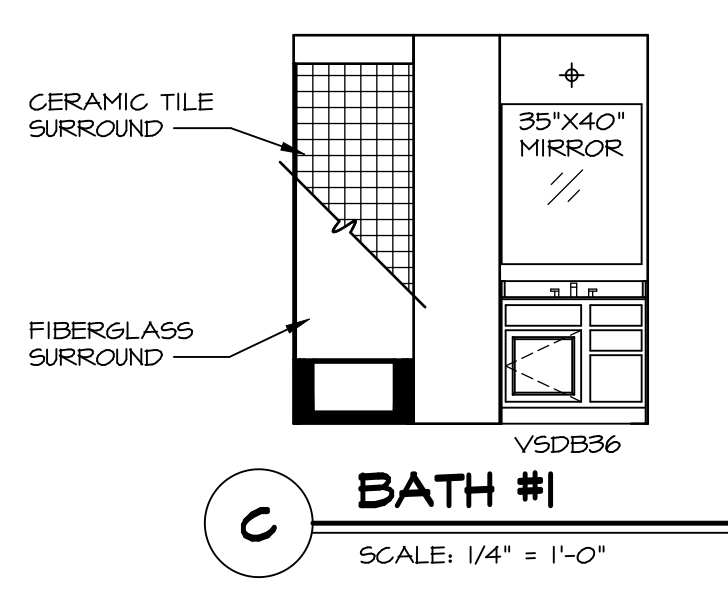
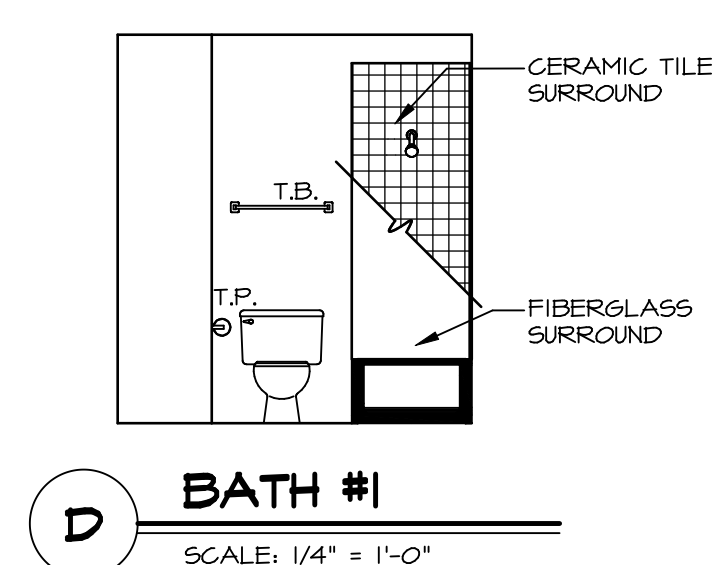
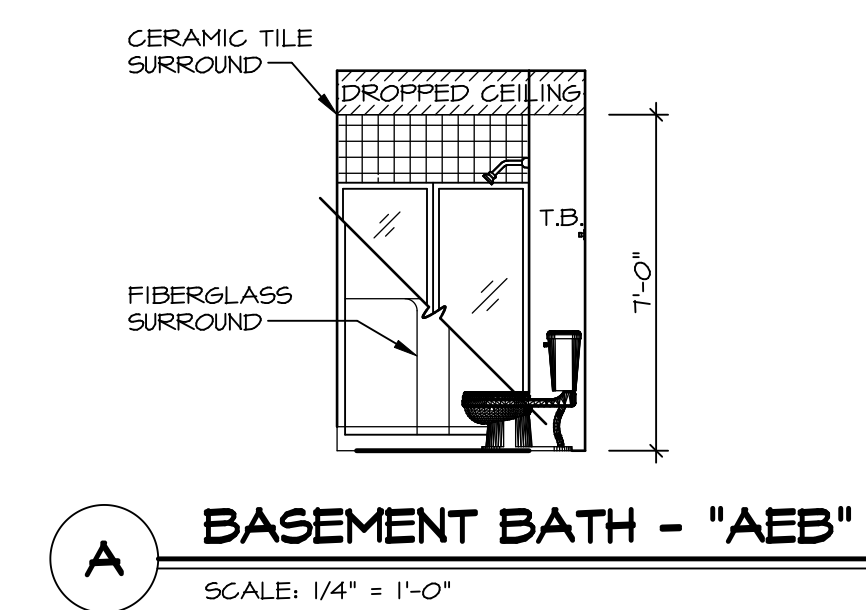
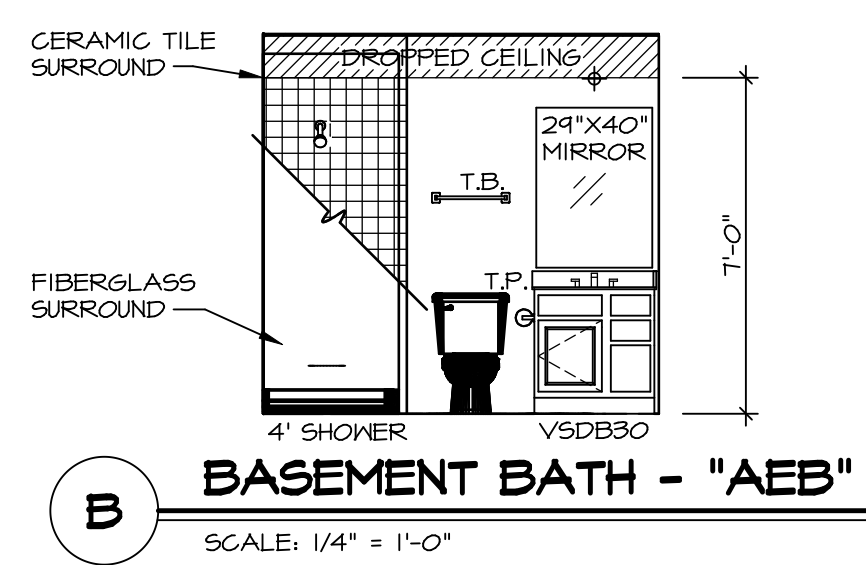
3
A-II

SHEET NO. A-II	MODEL AVIANO	SET NO. A/A00	VERSION 01	DRAWN BY RJC	DATE: 4/11/15	OPTION
		DRAWING TITLE KITCHEN LAYOUT				
38	OPTION DESCRIPTION					
	<p>NVR, Inc., owner, expressly reserves its copyright in these plans. These plans are not to be reproduced, changed, copied in any way, or used for any other project without the written consent of NVR, Inc.</p>					
REMARKS						

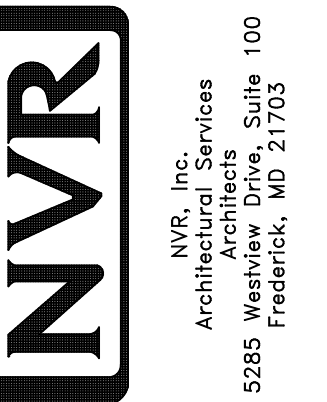
NVR
NVR, Inc.
Architectural Services
Architects
5285 Westover Hills
Frederick, MD 21703

NOTES:

1. TEMPERED GLASS SHOWER ENCLOSURE WITH SWING DOOR OR OPTIONAL SLIDING DOOR BY DIVISION
2. TUB ACCESS PANELS PROVIDED AS NEEDED, ALL MATERIALS BY DIVISION
3. REFER TO SHEET IT-2 FOR TUB AND SHOWER DETAILS.
4. ALL V5DB24-42 DRAWERS TO BE SET ON RIGHT HAND.
5. BATH ELEVATIONS ARE SHOWN PER PLAN.



NVR, Inc., owner, expressly reserves its copyright in these plans. These plans are not to be reproduced, changed, copied, or used for any purpose other than that for which they are assigned to without the written consent of NVR, Inc.



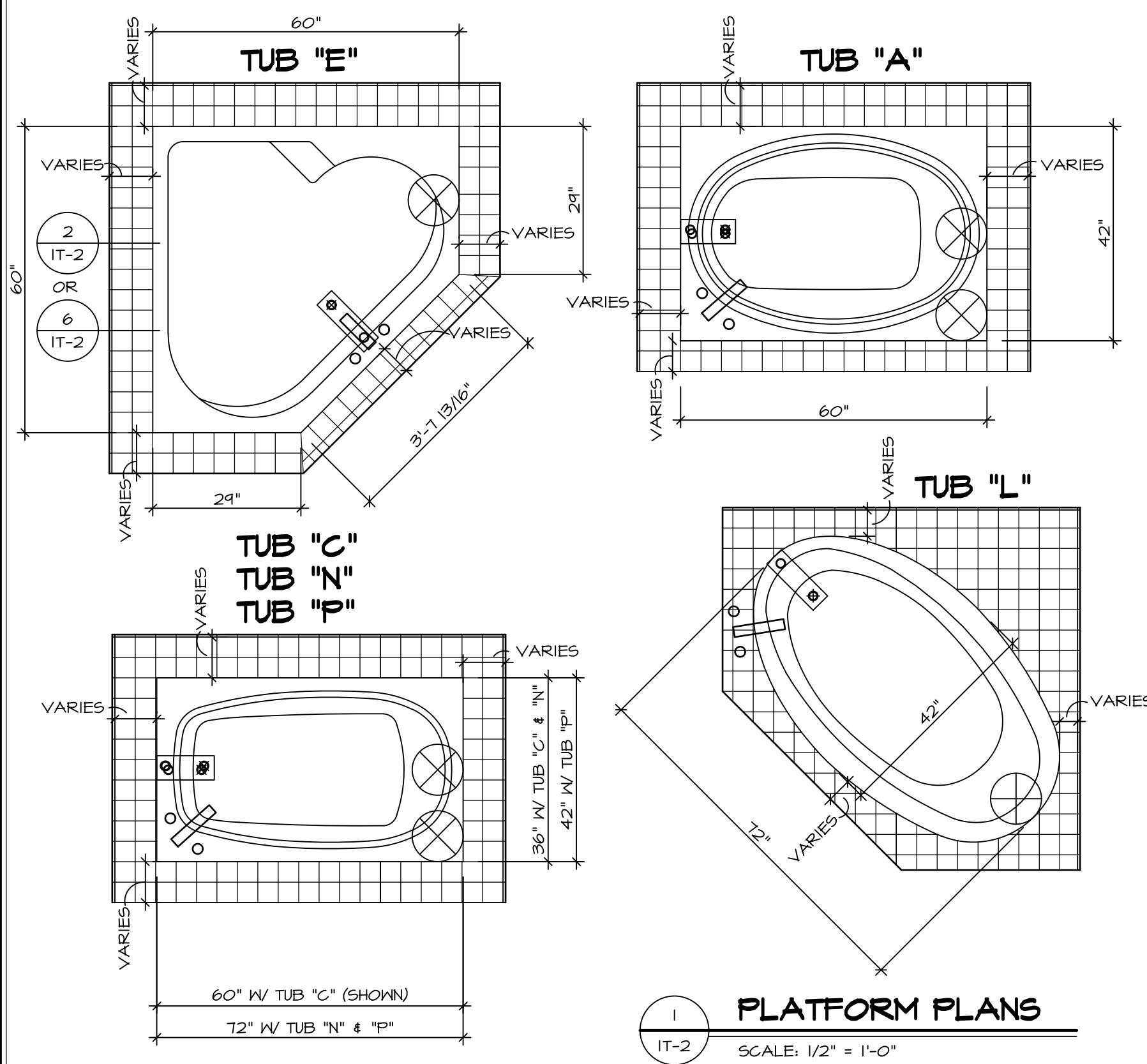
SET NO. A1A00
VERSION 01
DRAWN BY SGA
DATE: 4/11/15
OPTION

SHEET NO. A-12
MODEL AVIANO
DRAWING TITLE BATH ELEVATIONS
OPTION DESCRIPTION

42

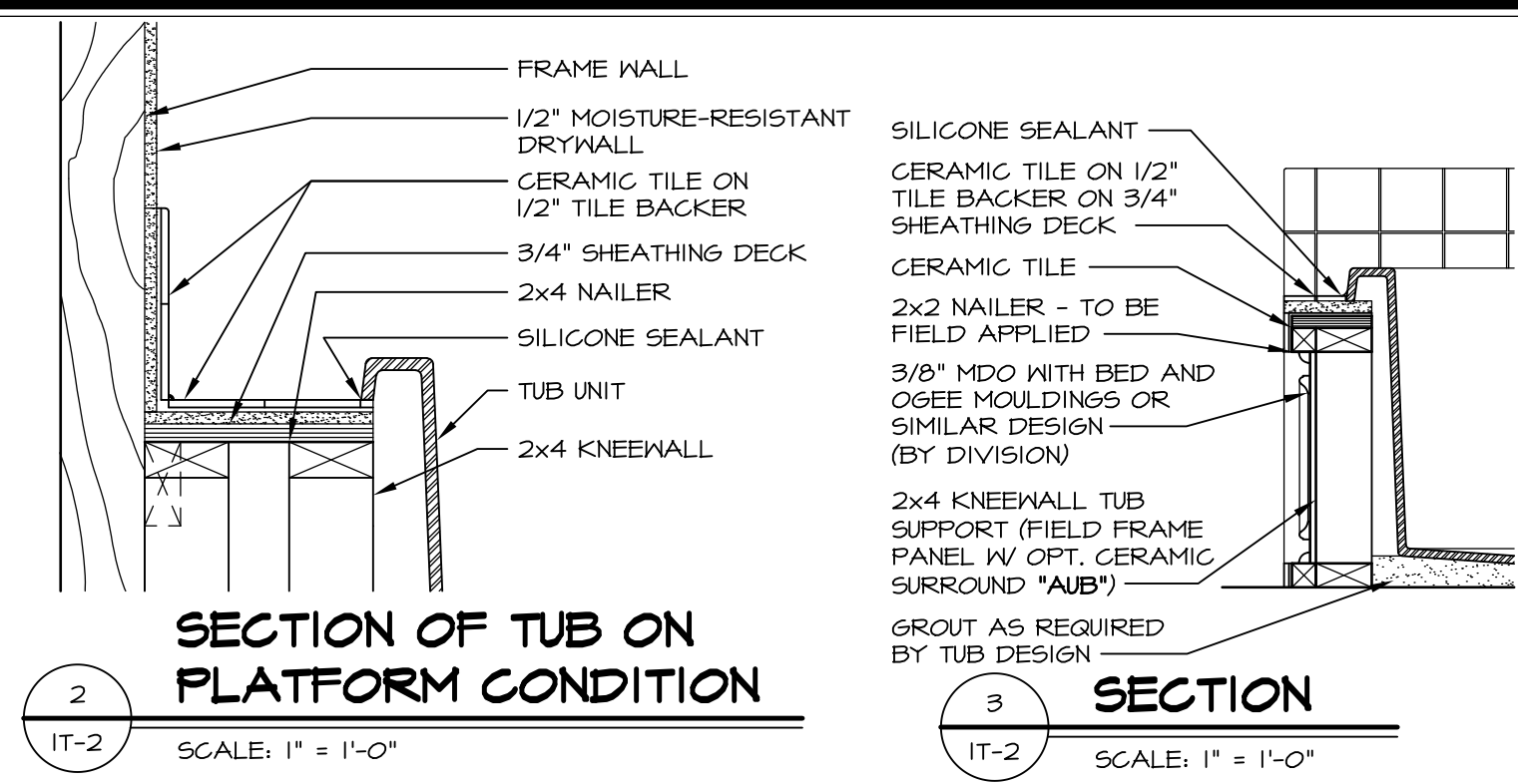
REMARKS

REV. NO. DATE

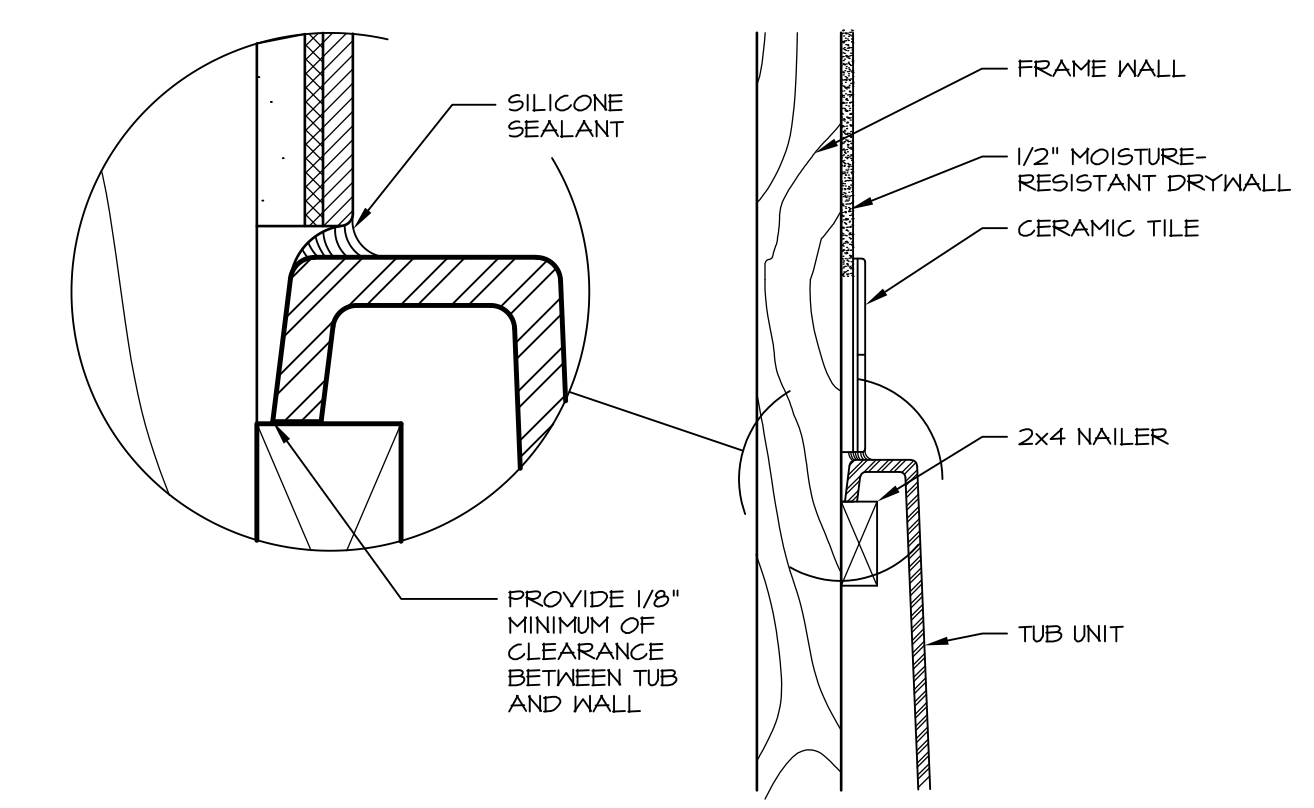


1 PLATFORM PLANS
SCALE: 1/2" = 1'-0"

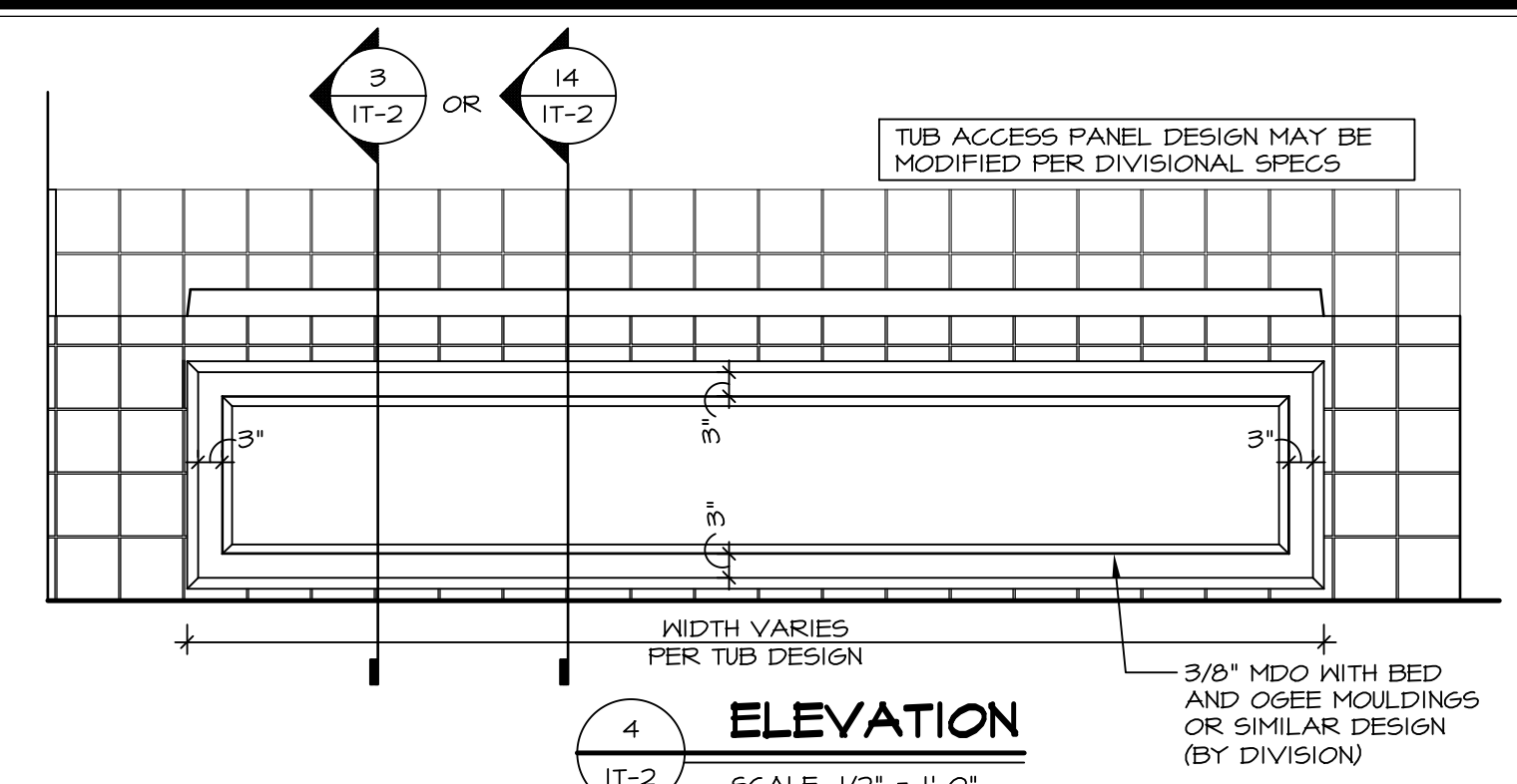
TUB	MANUF.	HEIGHT	WIDTH	LENGTH	TUB DECK PANEL HEIGHT
"A"	KOHLER/ STERLING	18 3/4"	42"	60"	17 1/8"
"C"	KOHLER/ STERLING	18 3/4"	36"	60"	17 1/8"
"E"	KOHLER/ STERLING	19 1/2"	60"	60"	17 7/8"
"L"	KOHLER/ STERLING	18 1/2"	42"	72"	16 7/8"
"N"	KOHLER/ STERLING	18 3/4"	36"	72"	17 1/8"
"P"	KOHLER/ STERLING	18 3/4"	42"	72"	17 1/8"



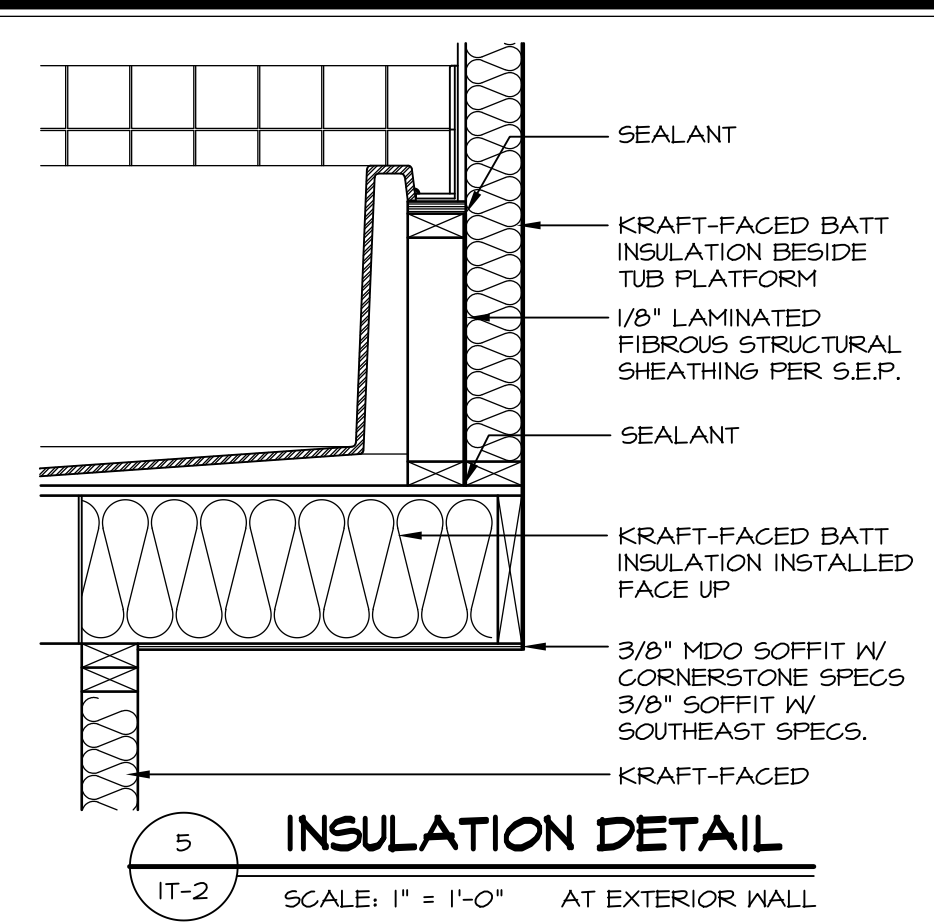
2 SECTION OF TUB ON PLATFORM CONDITION
SCALE: 1" = 1'-0"



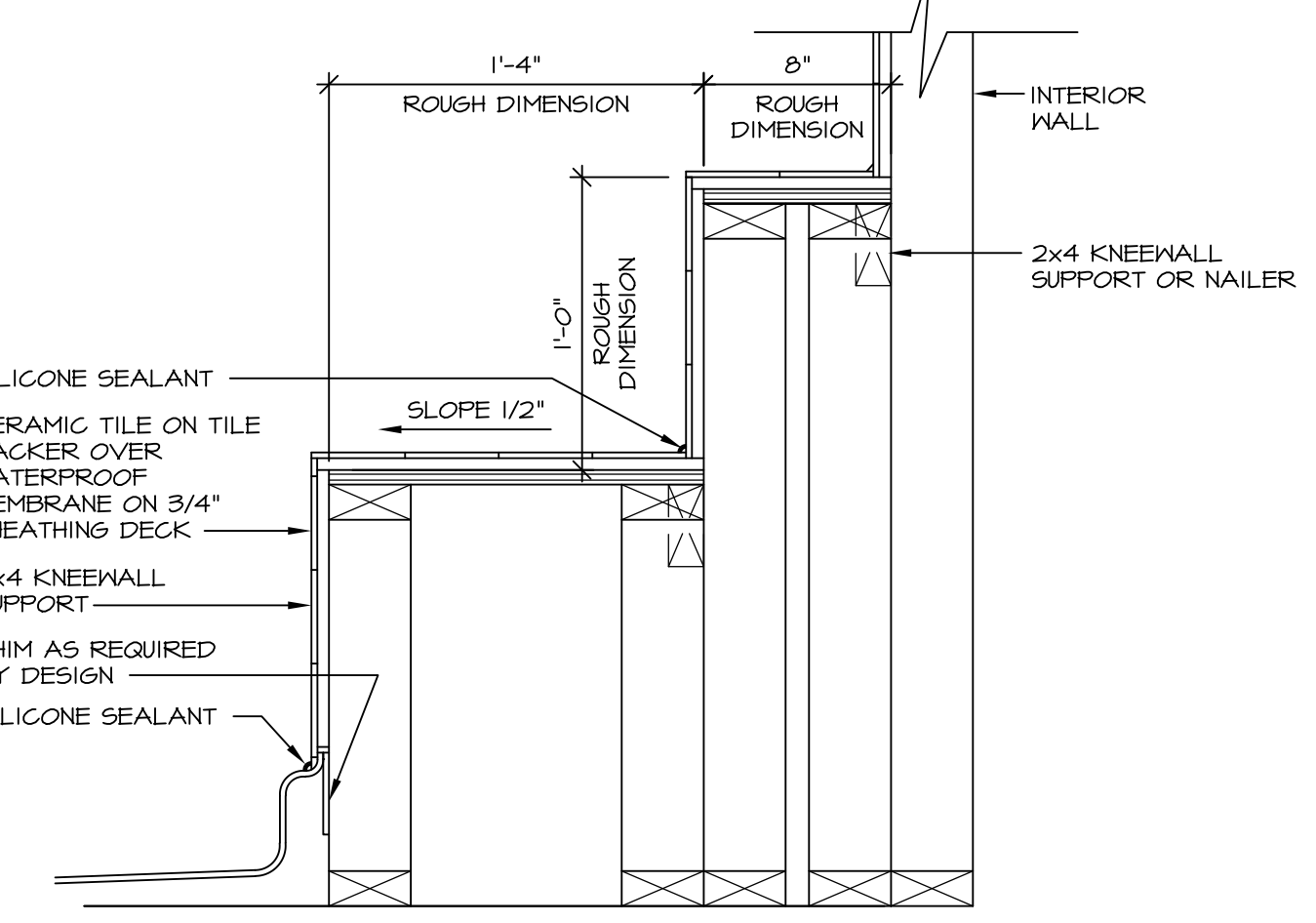
3 SECTION OF TUB TO WALL CONDITION
SCALE: 1 1/2" = 1'-0"



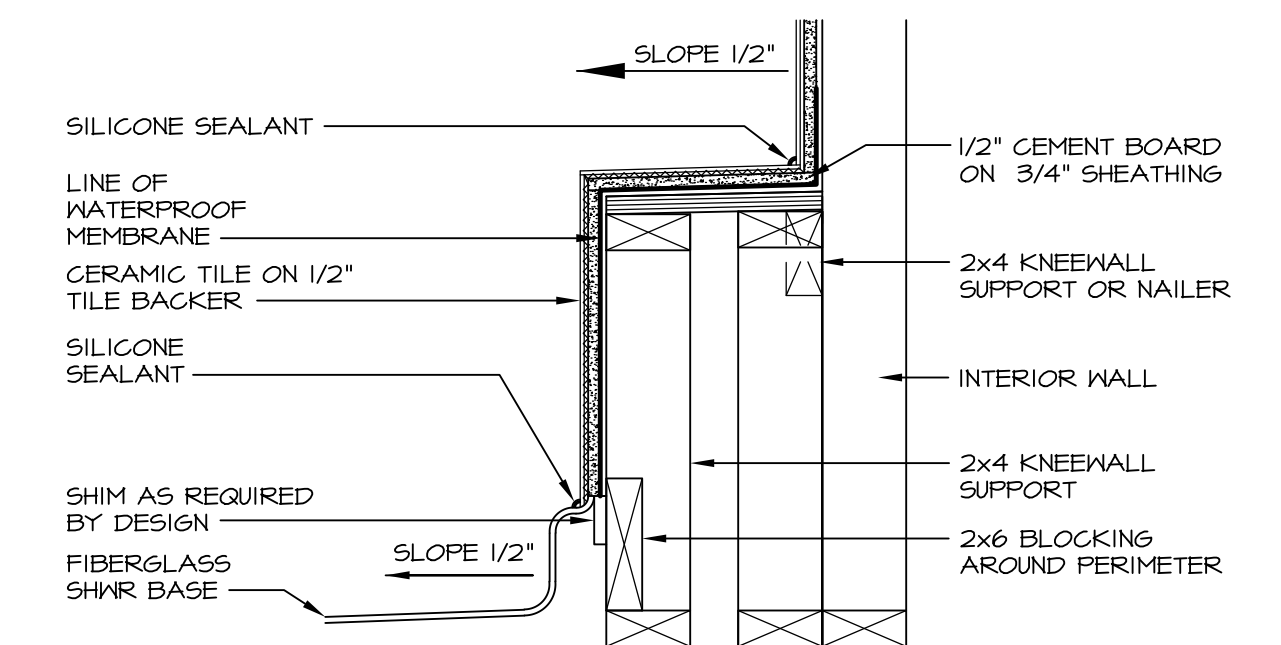
4 ELEVATION
SCALE: 1/2" = 1'-0"



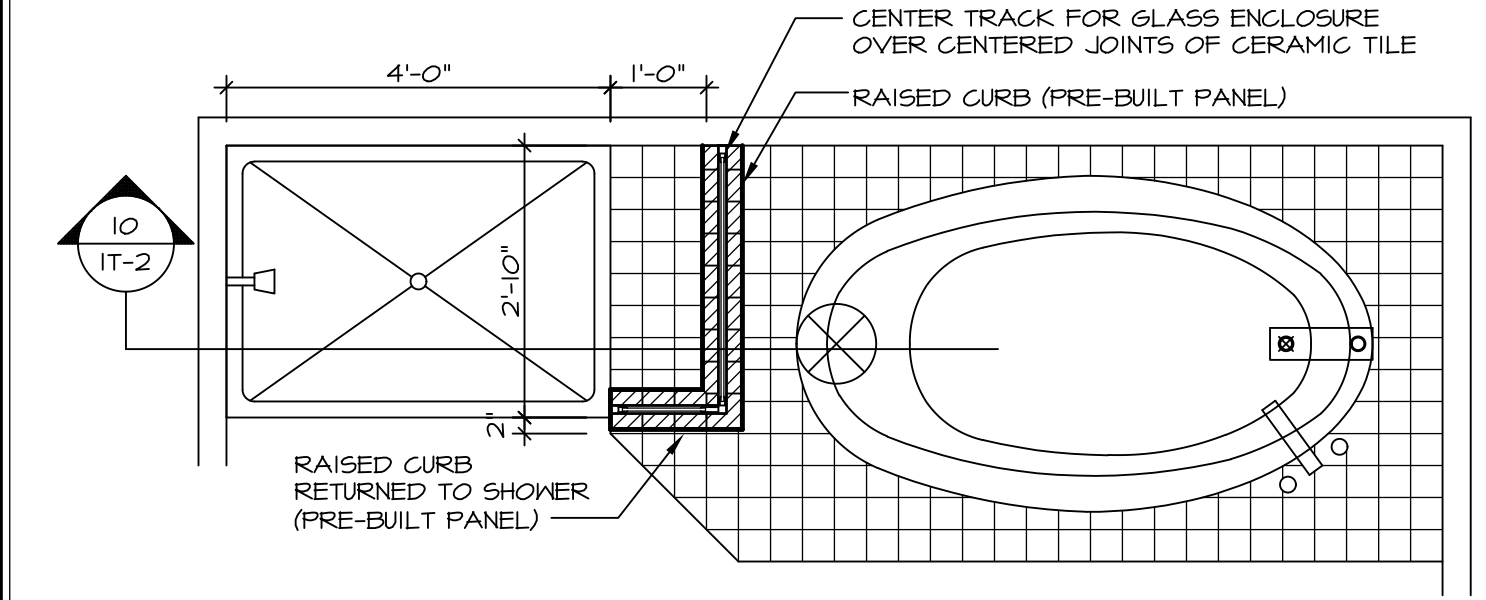
5 INSULATION DETAIL
SCALE: 1" = 1'-0" AT EXTERIOR WALL



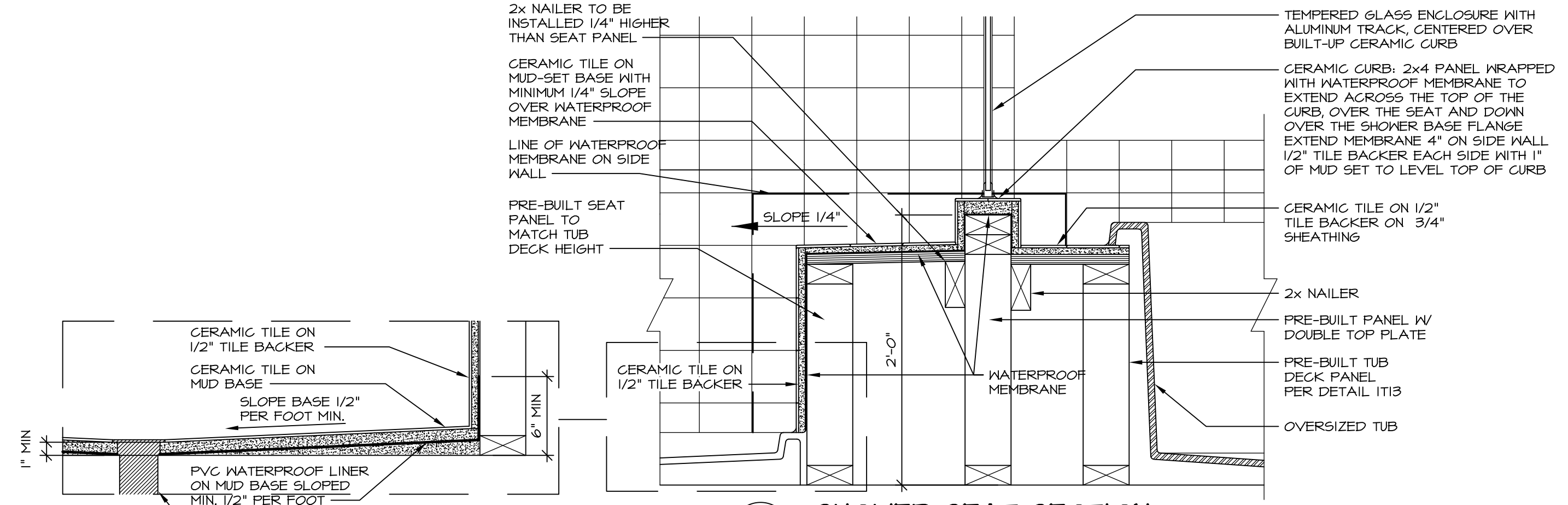
7 SECTION OF SHOWER SEAT AND SHELF
SCALE: 1 1/2" = 1'-0"



8 SECTION OF SHOWER SEAT
SCALE: 1-1/2" = 1'-0" FIBERGLASS SHOWER BASE



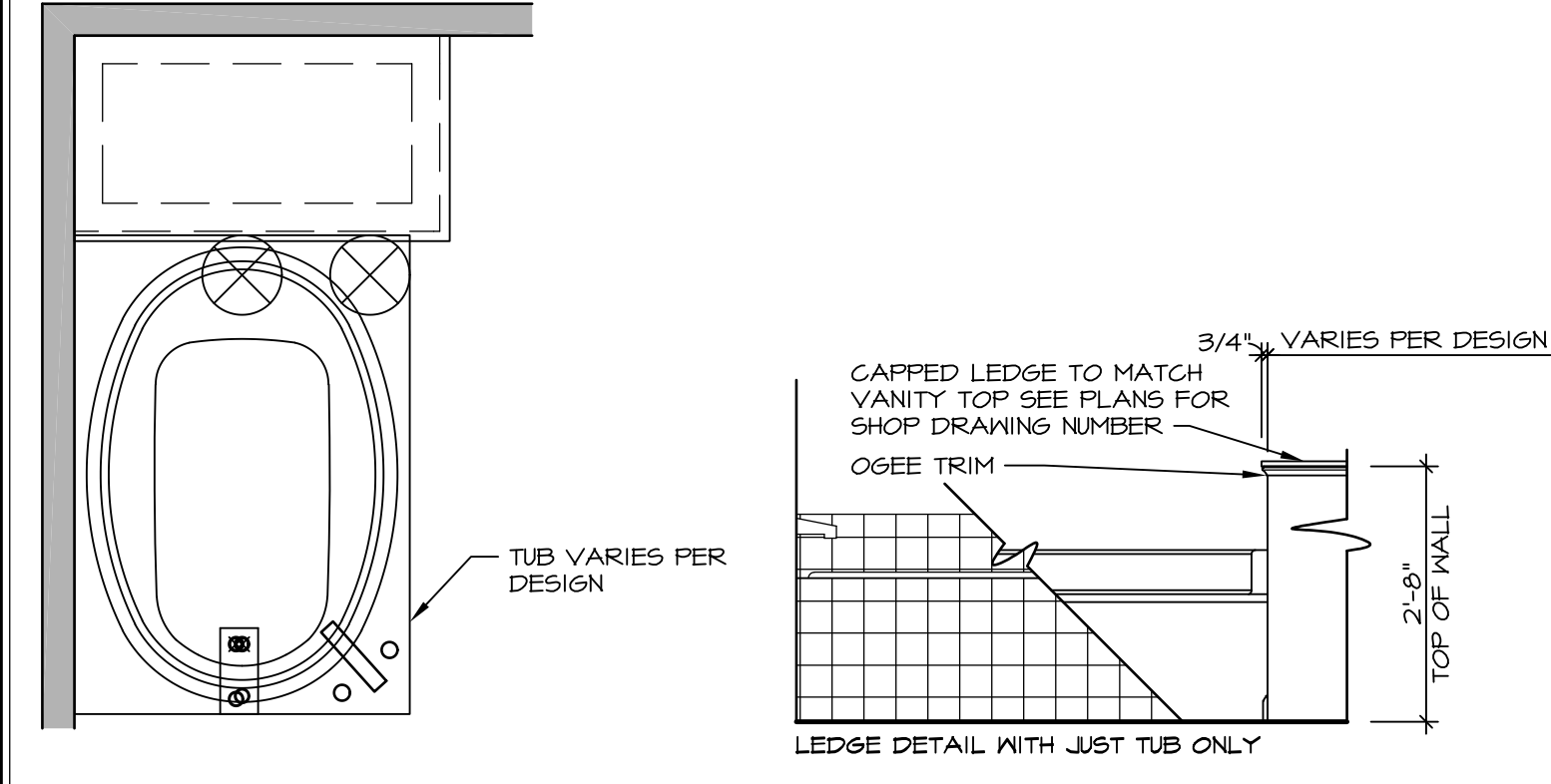
9 SHOWER SEAT PLAN / DETAIL
SCALE: 1/2" = 1'-0"



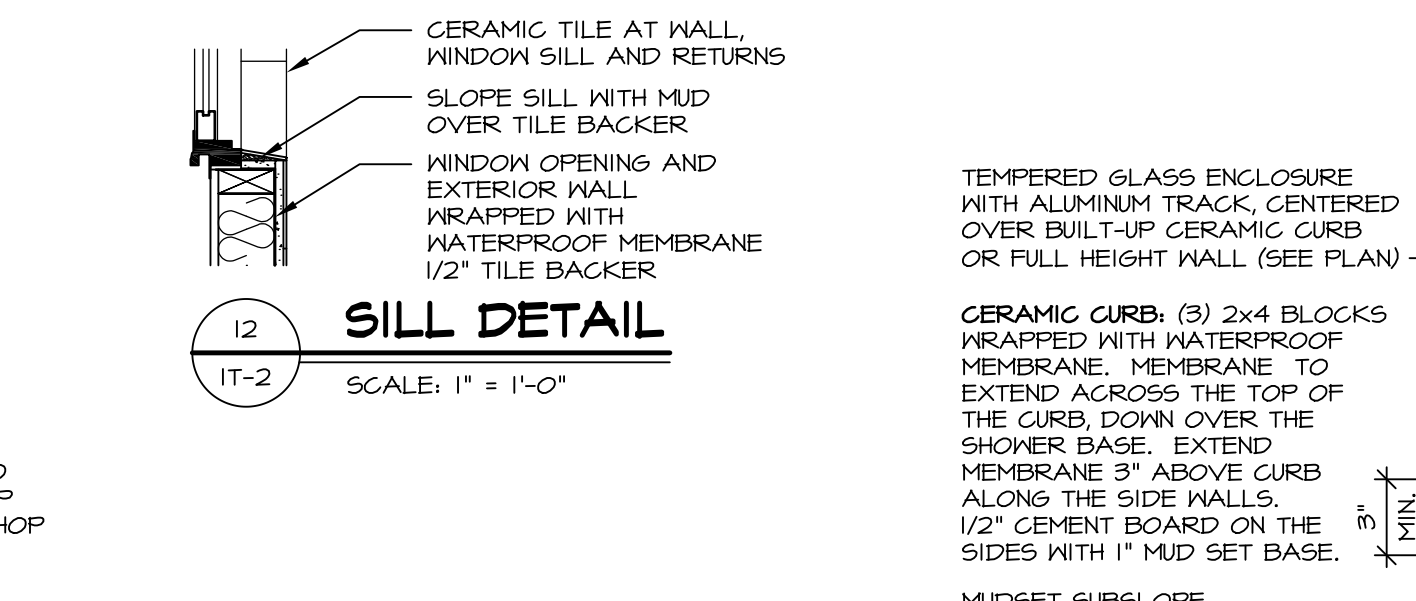
10 SHOWER SEAT SECTION
SCALE: 1-1/2" = 1'-0"



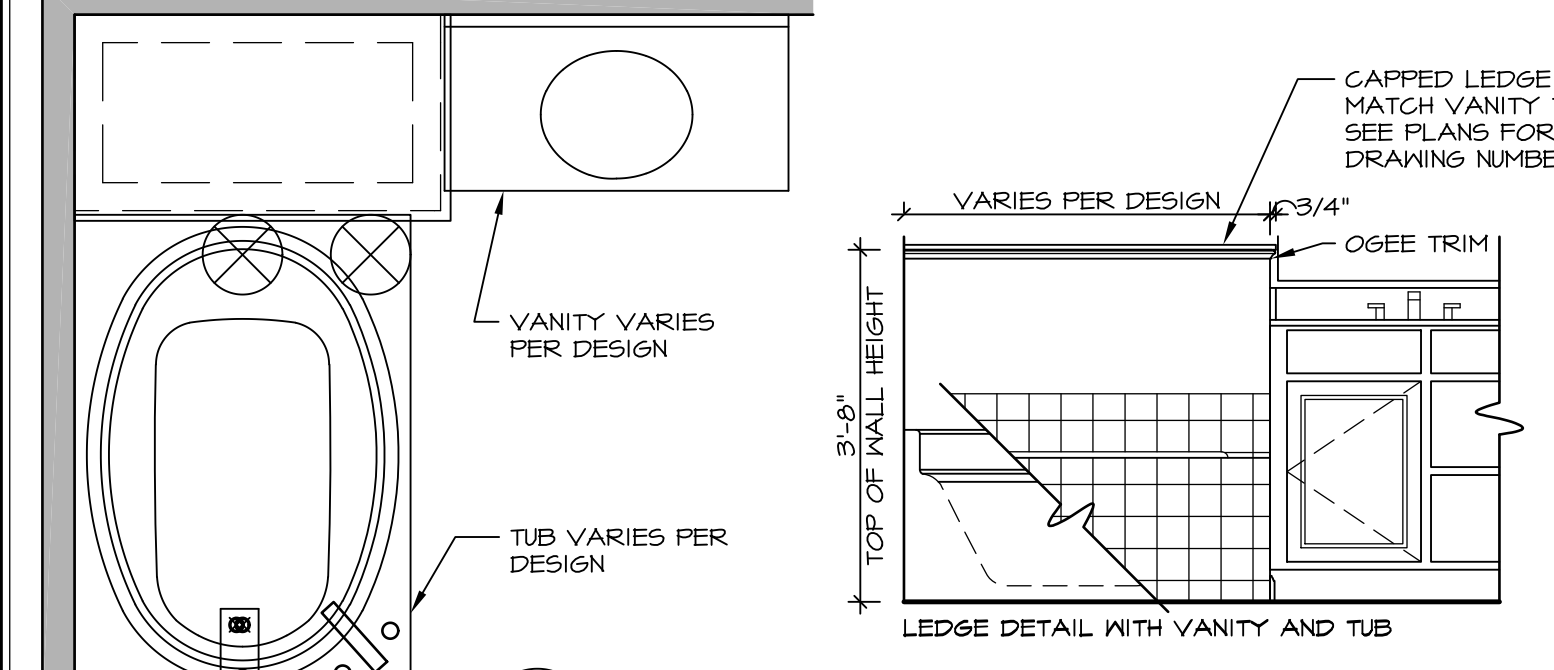
11 ALTERNATE SHOWER PAN DETAIL



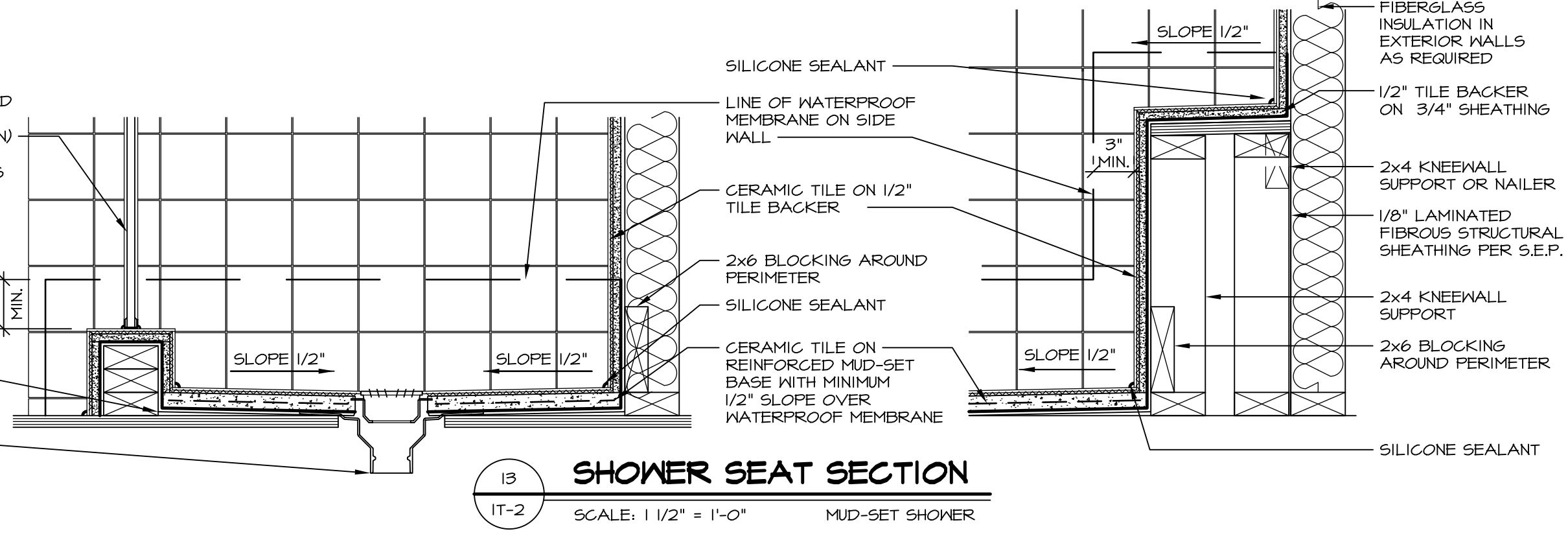
12 BATHROOM LEDGE DETAIL
SCALE: 1" = 1'-0"



13 SILL DETAIL
SCALE: 1" = 1'-0"



14 BATHROOM LEDGE DETAIL
SCALE: 1/2" = 1'-0"



15 SHOWER SEAT SECTION
SCALE: 1 1/2" = 1'-0" MUD-SET SHOWER

REVISIONS

REV. NO.	DATE	DESCRIPTION
1	5/1/17	EBP - REVISED DETAIL 1 AND 11 TO REMOVE TUB ACCESS PANEL REF. (DSS #15 5414)
2	9/2/17	EBP - REVISED T-FLY NOTE TO CALL OUT LFS
3	9/2/17	EBP - REVISED NOTE ON DETAIL #1 - REVISED ORDER OF MATERIAL PARA#4934

NVR, Inc., owner, expressly reserves its common law copyright and other property rights in these plans. These plans are not to be reproduced, stored in a retrieval system, or transmitted in any form or by any means, electronic, mechanical, photocopying, recording, or by any information storage and retrieval system, without the prior written consent of NVR, Inc.

NVR
NVR, Inc.
Architectural Services
5285 Westchester Blvd, Suite 100
Frederick, MD 21703

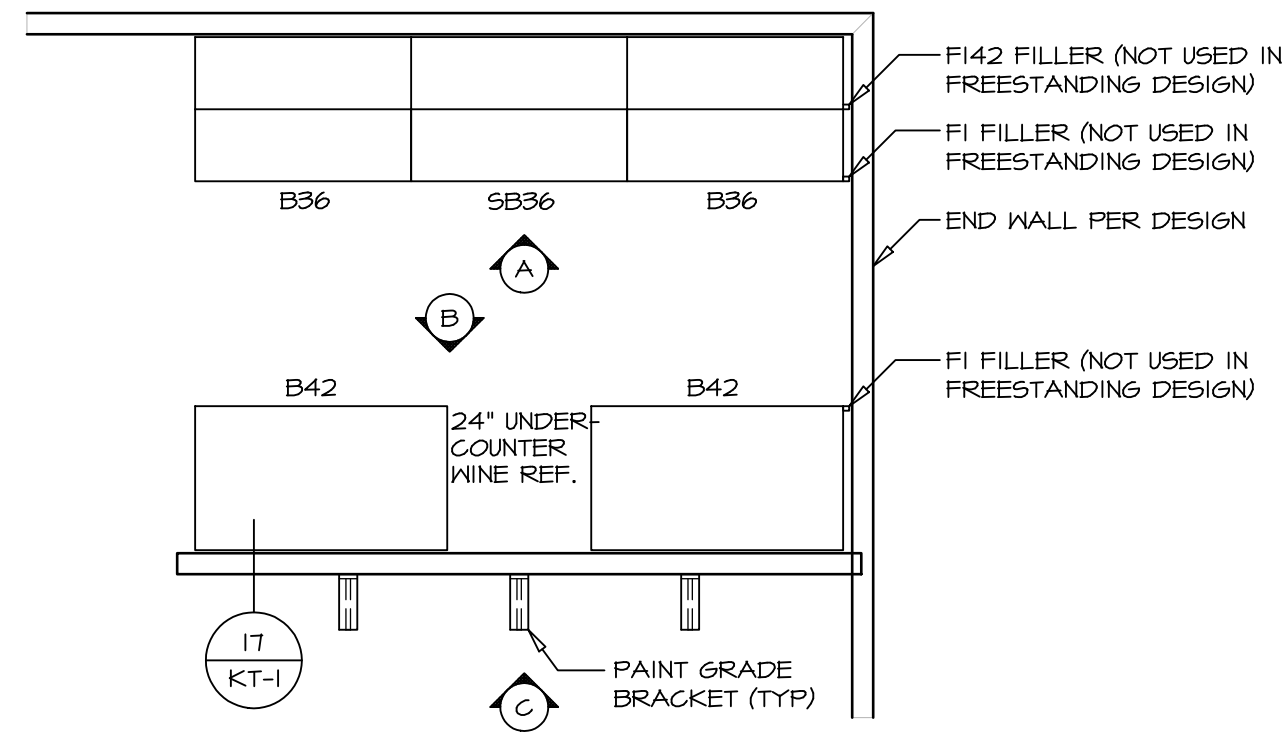
SET NO. NVR
VERSION
DRAWN BY
DATE:
OPTION

MODEL
STANDARD DETAILS
DRAWING TITLE
INTERIOR TRIM DETAILS
BATH DETAILS
OPTION DESCRIPTION

SHEET NO.
IT-2

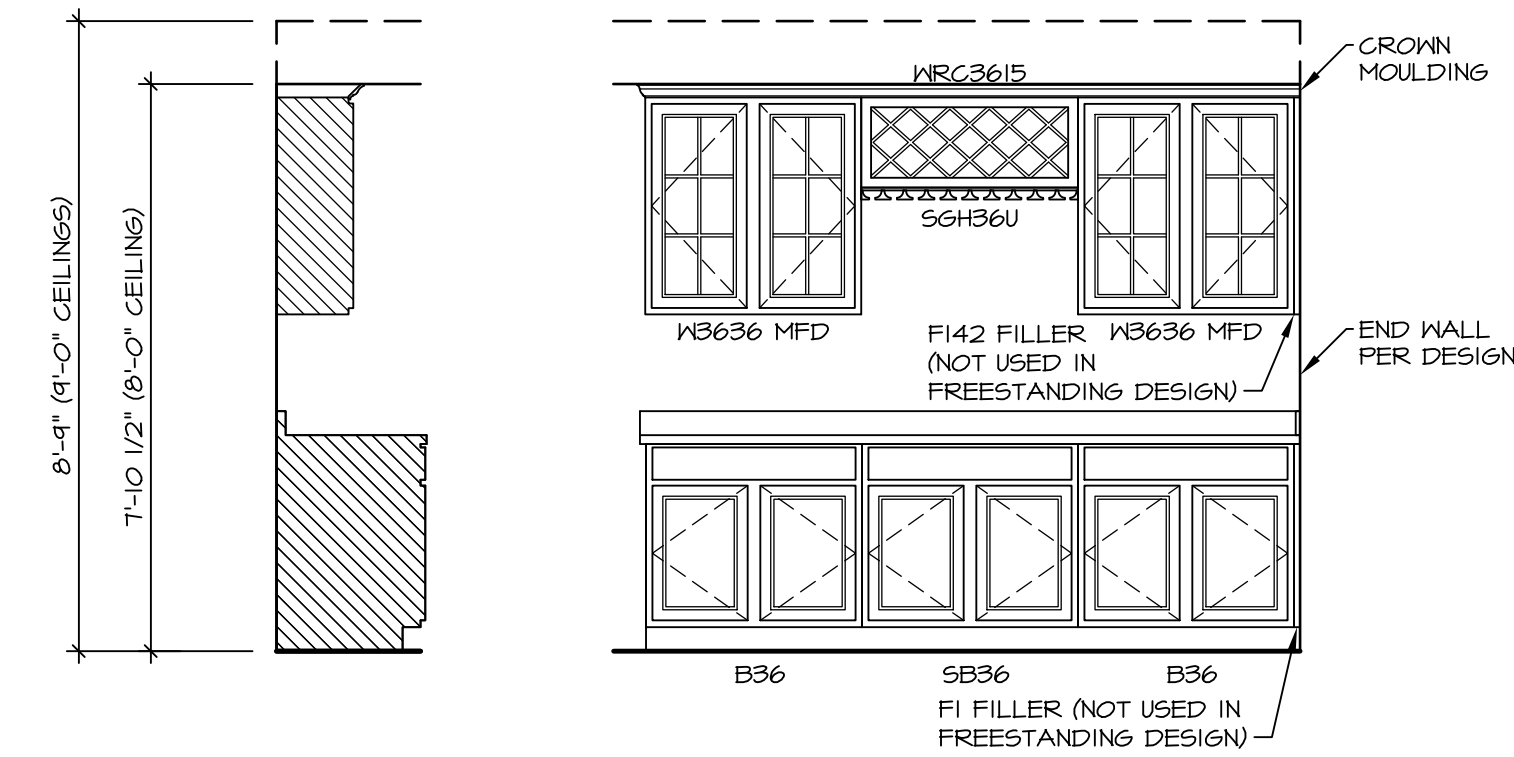
J:\Dwg\NVR\Interior_Trim\IT2.dwg 09/27/17 - 9:20 am

NOTE:
REVIEW HOUSE SPECIFIC
PLANS FOR LOCATION
AND HANDING



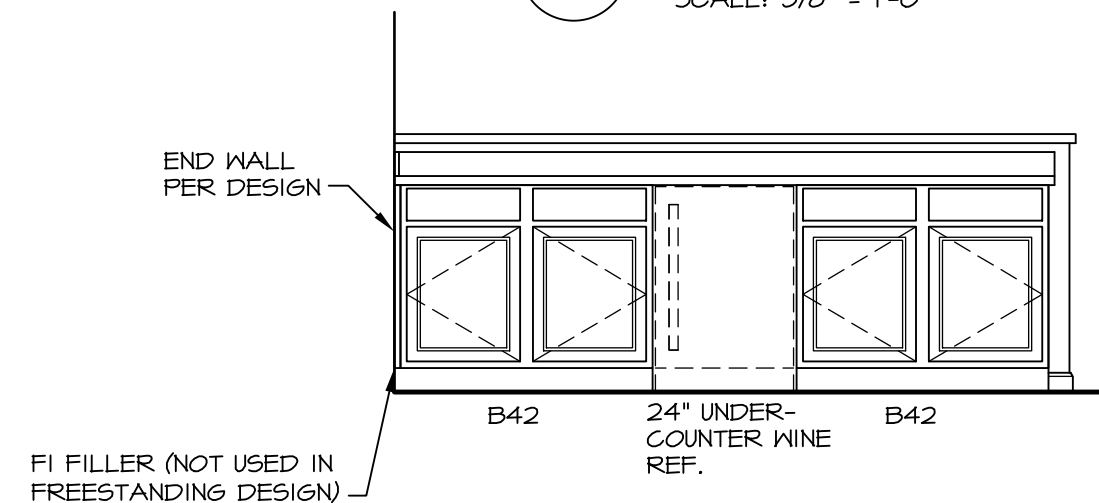
**KITCHEN CABINET
PLAN KC - 1901**

2
IT-3 SCALE: 3/8" = 1'-0"



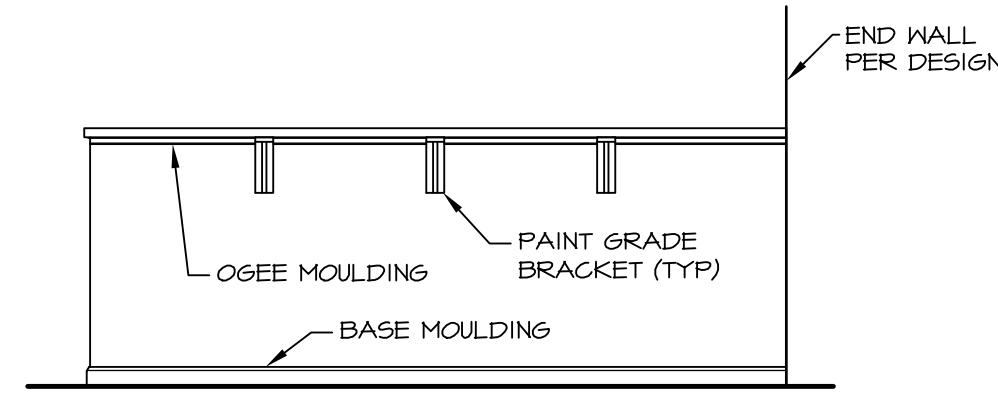
3 ELEVATION "A"

IT-3 SCALE: 3/8" = 1'-0"



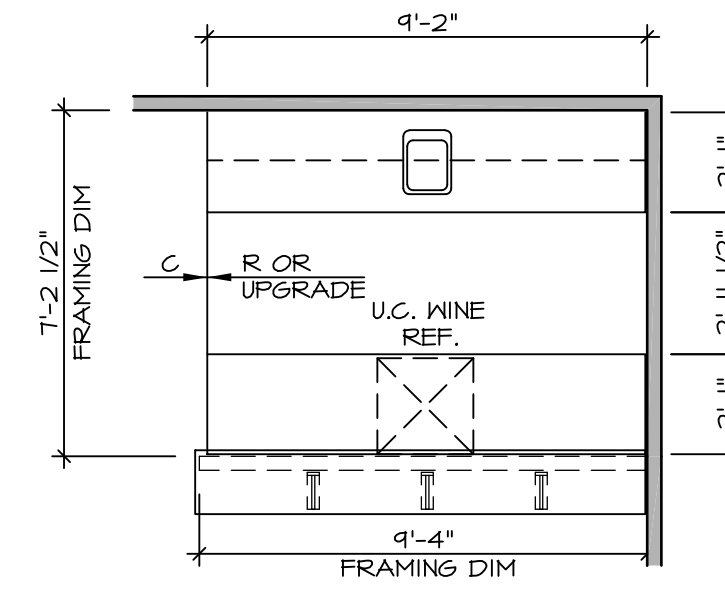
4 ELEVATION "B"

IT-3 SCALE: 3/8" = 1'-0"



5 ELEVATION "C"

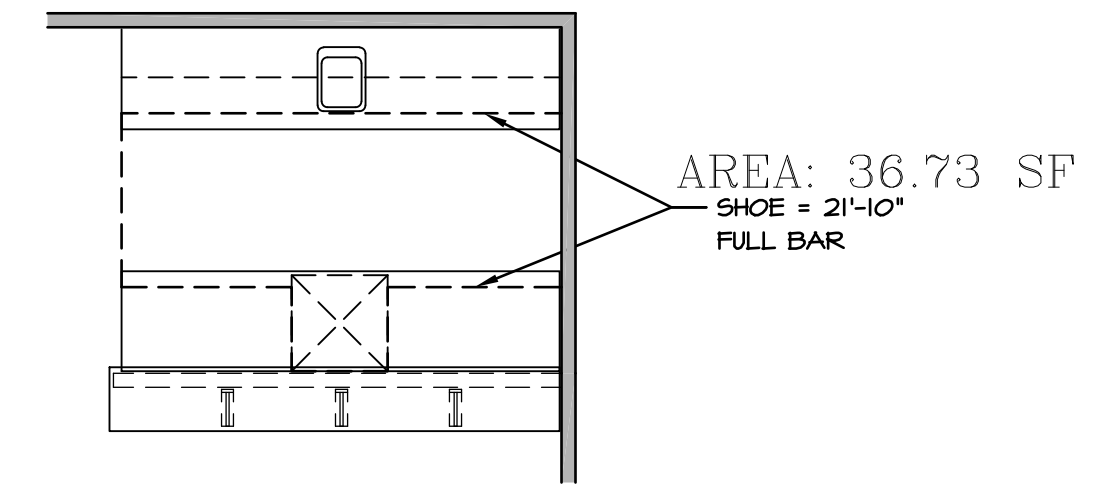
IT-3 SCALE: 3/8" = 1'-0"



FULL BAR
* SHOWN AS END WALL DESIGN

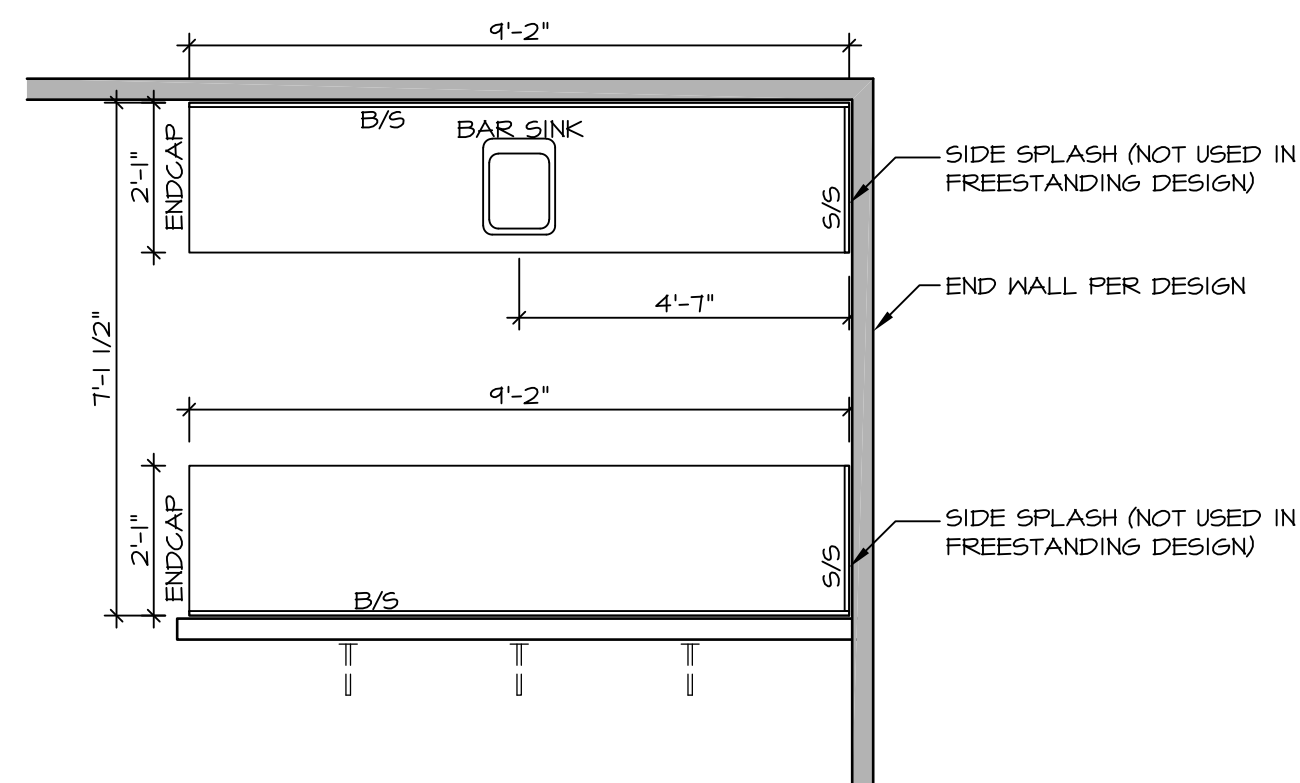
6 FLOOR PLAN

IT-3 SCALE: 1/4" = 1'-0"



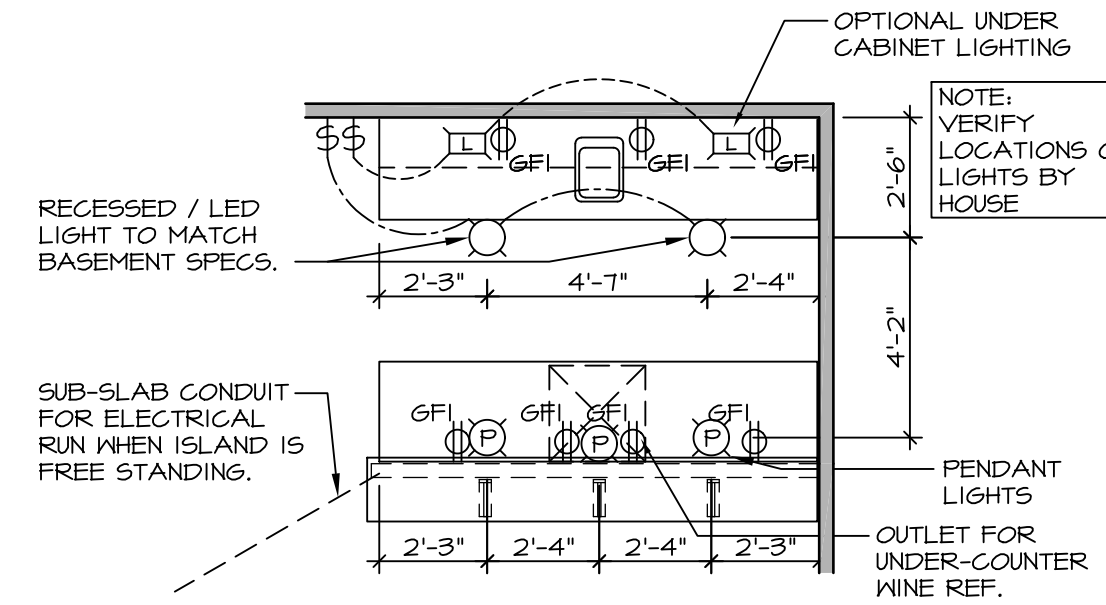
7 FLOORING PLAN

IT-3 SCALE: 1/4" = 1'-0"



**KITCHEN COUNTERTOP
PLAN KT - 1901**

8
IT-3 SCALE: 3/8" = 1'-0"



9 FLOOR PLAN ELECTRICAL LAYOUT

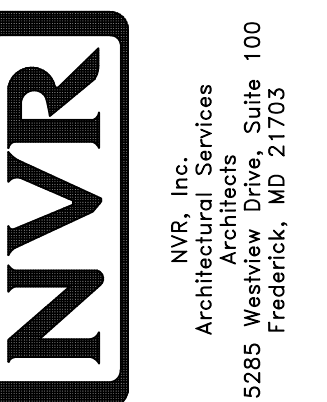
IT-3 SCALE: 1/4" = 1'-0"

1 WET BAR DETAILS

IT-3 SCALE: VARIES

REV. NO.	DATE	REMARKS
1	5/17/17	56A - REVISED FLOOR PLAN DIMENSIONS TO MATCH COUNTERTOP DIMENSIONS
2	5/23/17	56A - FIXED OVERLAPPING TEXT ON 3/17-13
3	6/5/17	56A - REMOVED U.C. REF. AND TURNED OFF FLOORING SPACES
4	9/14/17	EBP - ADDED NOTE TO RECESSED LIGHT / LED LIGHT IN NET BAR
5	9/28/17	EBP - ADDED FRAMING DIMENSIONS FOR THE NET BAR WALL

NVR, Inc., owner, expressly reserves its common law copyright and other property rights in these plans. These plans are not to be copied, reproduced, or otherwise used in any way without the express written consent of NVR, Inc.



SHEET NO.	MODEL	SET NO.
IT-3	STANDARD DETAILS	NVR
	DRAWING TITLE	VERSION
	INTERIOR TRIM DETAILS	
	NET BAR DETAILS - FULL BAR (RYAN ONLY)	DRAWN BY
	OPTION DESCRIPTION	DATE:
		OPTION