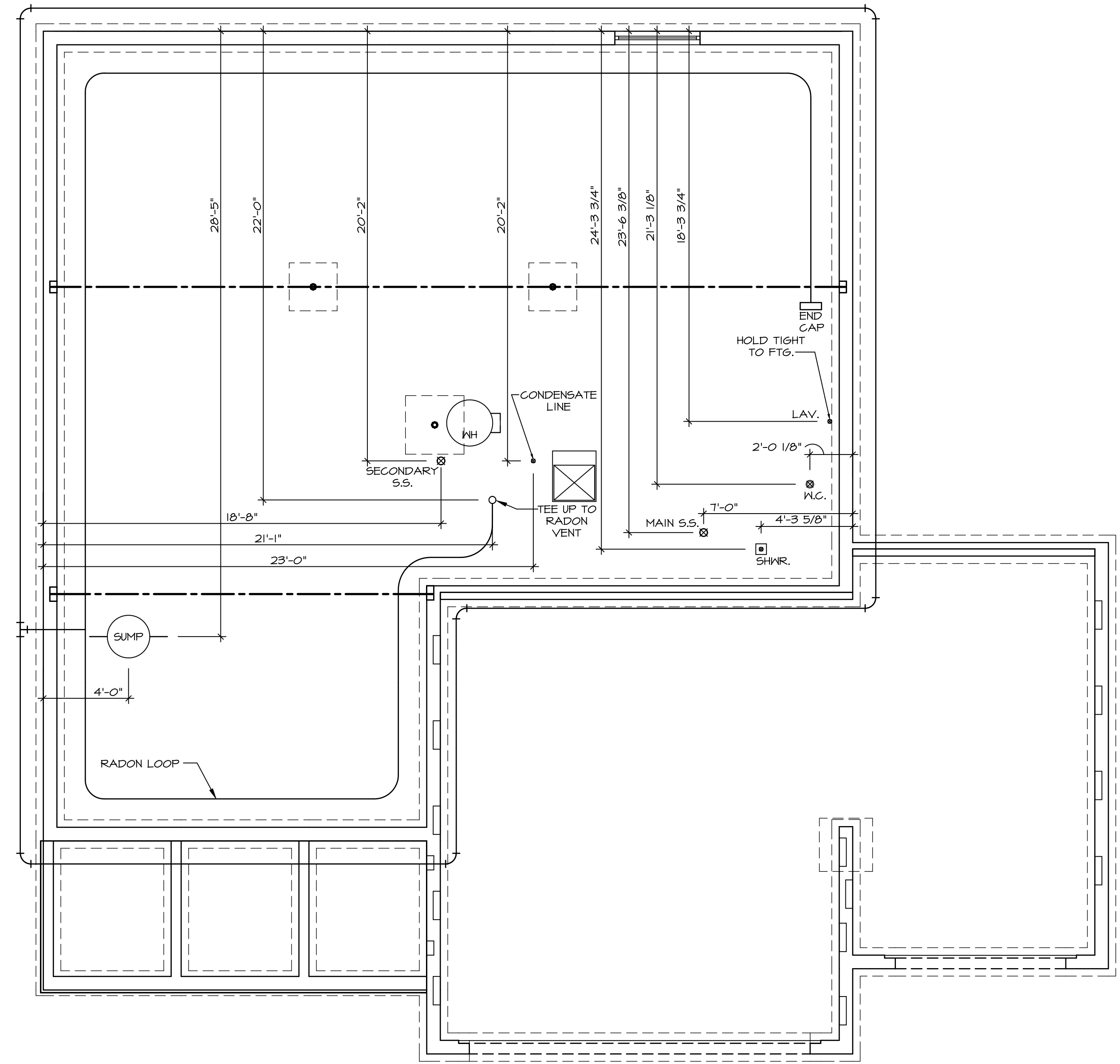


NOTE
 RADON REMEDIATION
 RADON LOOP

- (4) PERFORATED HDPE "LOOP"
- MUST BE PLACED IN STONE BED SLIGHTLY HIGHER THAN ANY INTERIOR DRAINTILE
- LOOP TO BE SEPARATE FROM ANY DRAINTILE ELEMENTS
- TO BE CORRUGATED HDPE PIPE
- SCREWS TO BE INSTALLED THROUGH LOOP AT TEE UP INTO STACK

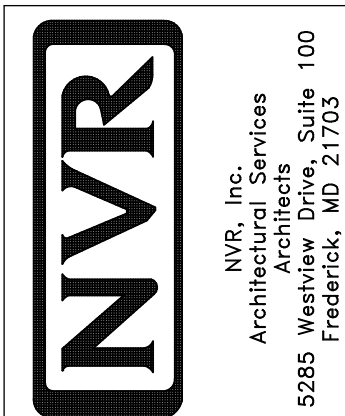
STACK REQUIREMENTS:

- 3" PVC STACK (4" IF BASEMENT IS GREATER THAN 2200 SQFT)
- NO PART OF STACK IS TO BE HORIZONTAL
- PIPE TO BE PHYSICALLY LABELED IN THE FIELD AS "RADON VENT" OR OTHER JURISDICTIONALLY REQUIRED LANGUAGE (ON EVERY LEVEL OF HOUSE)
- ROOF TERMINATION TO BE IN TOP 1/3 OF ROOF
- SCREEN INSTALLED TO KEEP PESTS OUT OF RADON VENT AT ROOF TERMINATION



PLUMBING PLAN
 SCALE: 1/4" = 1'-0"

SHEET NO.	A-5
MODEL	HUDSON
DRAWING TITLE	PLUMBING PLAN
OPTION DESCRIPTION	
SET NO.	HUD00
VERSION	01
DRAWN BY	SGA
DATE:	
OPTION	



NVR, Inc., owner, expressly reserves its copyright in these plans. These plans are not to be reproduced, changed, copied, or otherwise used in any way without the written consent of NVR, Inc.

REV. NO.	DATE	REMARKS

LEGEND	
	BEARING WALL
	NON BEARING WALL
	INDICATES BEARING FROM POINT-LOAD ABOVE JACKS
	JACKS
	BEAM/HEADER
	PAD FOOTING
	STEEL COLUMN
	PORTAL FRAME
	JOIST/TRUSS
	LVL
	ENGINEERING PAGE NUMBER

SEE FC DETAILS FOR FRAMING CONNECTORS

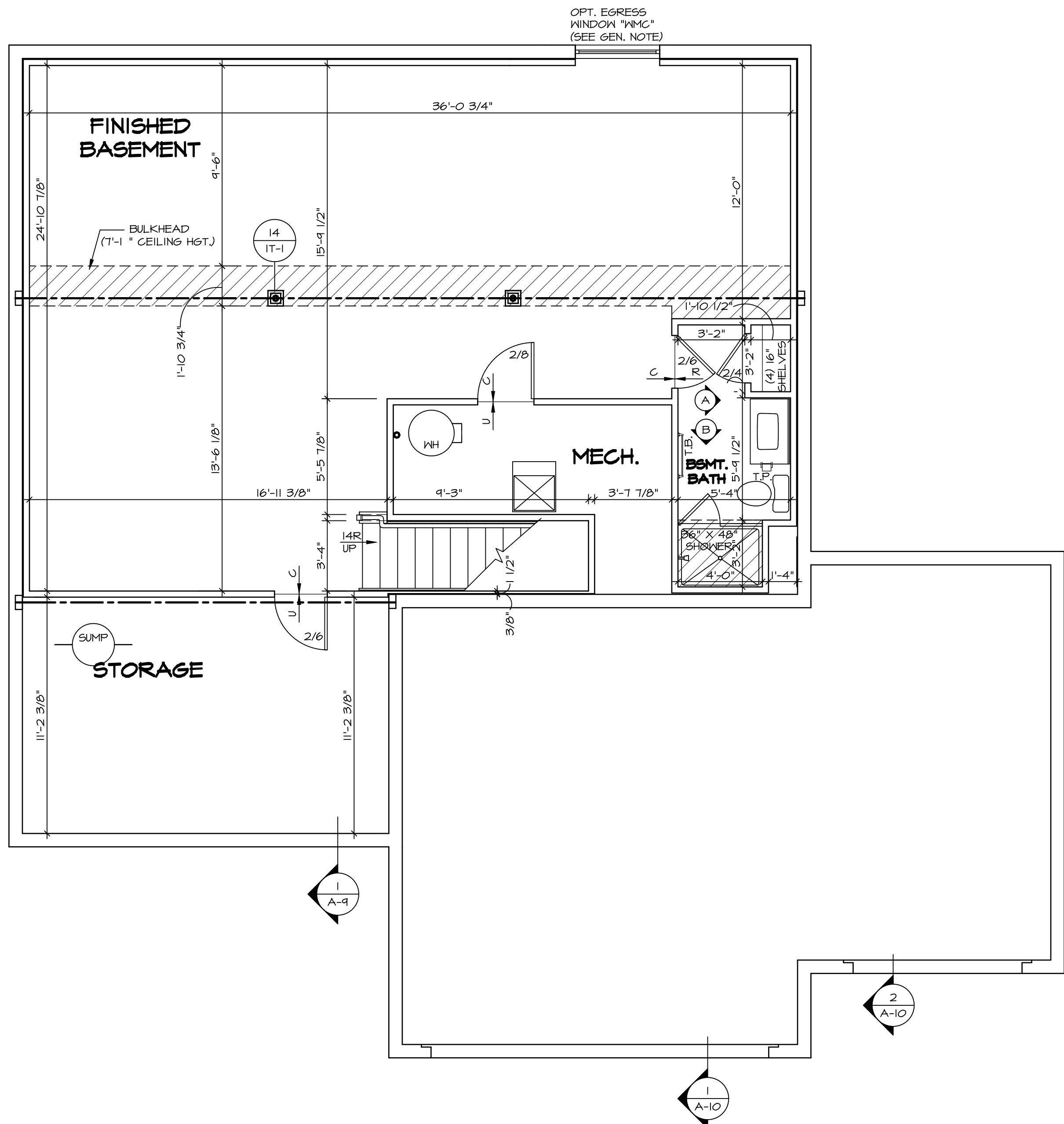
FLOOR PLAN NOTES

- ALL HEADERS ARE (2) 2x6 w/ 2x4 WALLS OR (3) 2x6 w/ 2x6 WALLS, UNLESS OTHERWISE NOTED.
- ALL HEADERS TO HAVE (1) 2x4 OR 2x6 JACK AND KING STUD EACH END, UNLESS OTHERWISE NOTED.
- ALL EXTERIOR WALLS TO BE 4" w/ OSB OR 3 1/2" w/ LAMINATED FIBROUS STRUCTURAL SHEATHING, ALL INTERIOR WALLS TO BE 3 1/2", UNLESS OTHERWISE NOTED. HATCHED AREAS INDICATE DROPPED CEILING. ALL DROPPED CEILING ARE 12" UNLESS OTHERWISE NOTED.
- SEE "BRACED WALL PANEL DETAIL SHEET" FOR SPECIAL WALL FRAMING LOCATIONS AND HEADER SIZES, IF APPLICABLE.
- SEE STANDARD DETAIL CATEGORY "11" SHEET(S) FOR INTERIOR TRIM DETAILS.
- SEE ARCHITECTURAL DETAIL SHEET "AD" FOR HOUSE SPECIFIC INTERIOR TRIM OPTION TABLE.
- ALL WINDOWS HAVE "1-0 1/2" HEADER HEIGHT UNLESS OTHERWISE NOTED.
- ALL HEADERS IN NON-BEARING WALLS SHALL BE A SINGLE FLAT 2x4 OR 2x6 ATTACHED TO GRIPPLES ABOVE, UNLESS OTHERWISE NOTED.
- TANKED WATER HEATER SHOWN AS BASE CONDITION, OPTIONAL TANKLESS WATER HEATER IS AVAILABLE IN LIEU OF TANKED WATER HEATER.

GYPSUM NOTES

AT GARAGE:
GYPSUM BOARD AT COMMON WALLS, CEILING, BEAM WRAPS AND SUPPORTS PER STANDARD DETAIL FA-1(b) FIRE ASSEMBLIES OR AS REQUIRED BY LOCAL CODE.

AT STAIRS:
1/2" GYPSUM BOARD AT UNDERSIDE OF STAIRS AND WALLS IN CLOSET



BASEMENT FLOOR PLAN
SCALE: 1/4" = 1'-0"

SHEET NO.	MODEL	SET NO.	VERSION	DRAWN BY	DATE	OPTION	REMARKS
A-6	HUDSON	01	01	SKB			
31	HUDSON						

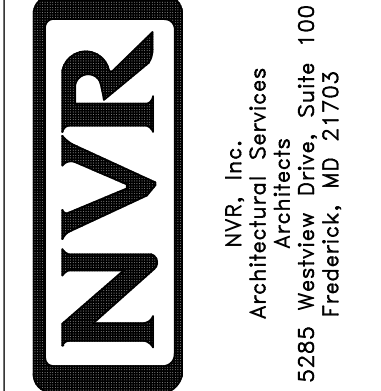
DRAWING TITLE
BASEMENT FLOOR PLAN

OPTION DESCRIPTION

REVISIONS

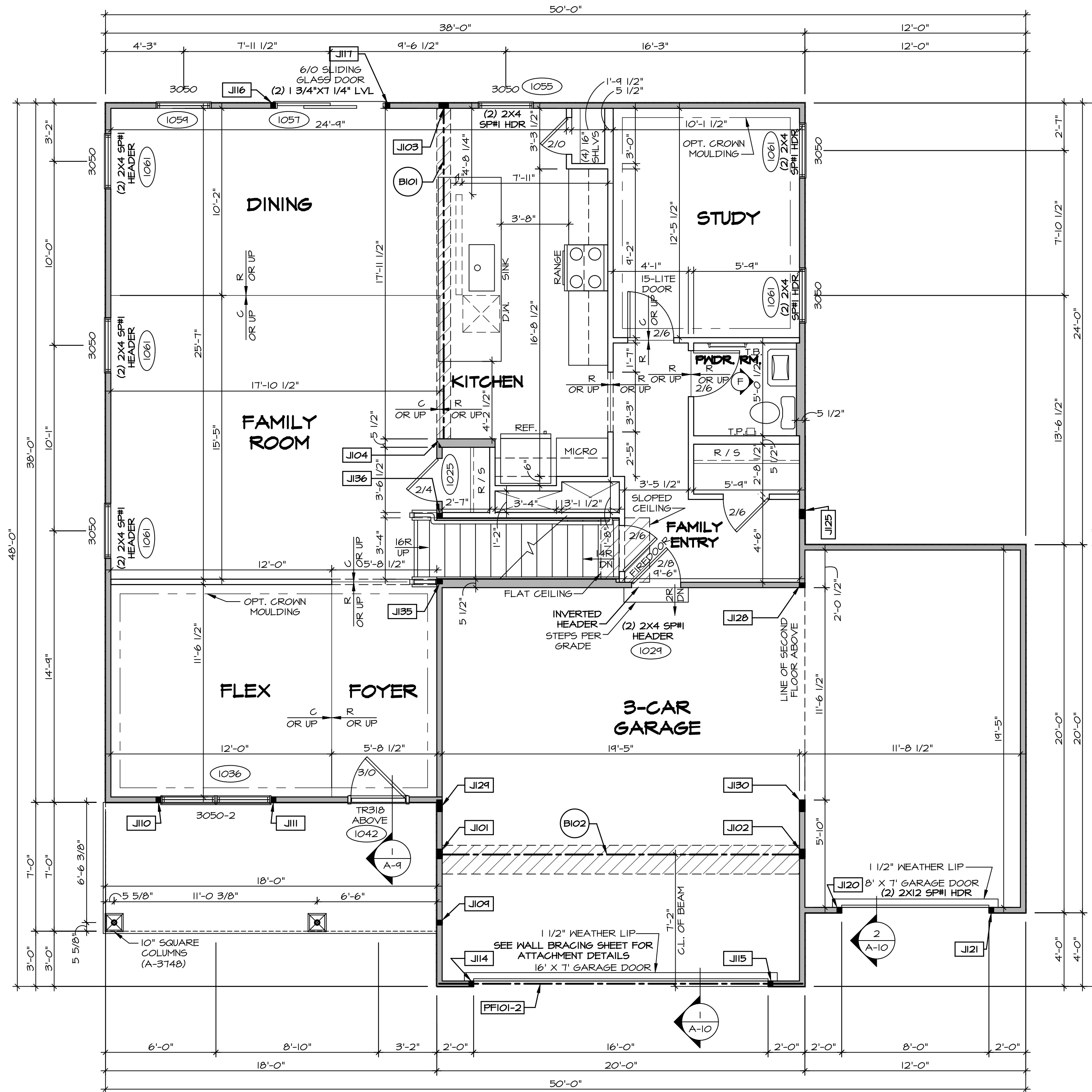
DATE

REMARKS



SET NO. HUDSON
VERSION 01
DRAWN BY SKB
DATE:
OPTION

C:\NVR\Solves\HUDSON_HUDDO_01\DCY-V6-1491\664944\Sheets\Lot_Specific\31_A-6_BSMT_LS.dwg 07/17/18 - 2:58 am



FIRST FLOOR PLAN
SCALE: 1/4" = 1'-0"

FIRST FLOOR JACK SCHEDULE				
IDENTIFIER	DESCRIPTION	OPTIONS	ENG. NUM.	REMARKS
J101	JACK - (4) 2X4 SP#H		1031	
J102	JACK - (4) 2X4 SP#H	GCB, GCF	1031	
J103	JACK - (4) 2X4 SP#H		1027	
J104	JACK - (4) 2X6 SFF STUD GRADE		1027	
J104	JACK - (2) 2X4 SFF STUD GRADE		1048	
J110	JACK - (2) 2X4 SFF STUD GRADE	ELA, ELK	1036	
J111	JACK - (2) 2X4 SFF STUD GRADE	ELA, ELK	1036	
J114	JACK - (2) 2X4 SFF STUD GRADE	GCB, GCF	1050	
J115	JACK - (2) 2X4 SFF STUD GRADE	GCB, GCF	1050	
J116	JACK - (2) 2X4 SFF STUD GRADE		1057	
J117	JACK - (2) 2X4 SFF STUD GRADE		1057	
J120	JACK - (2) 2X4 SFF STUD GRADE	GCF	1064	
J121	JACK - (2) 2X4 SFF STUD GRADE	GCF	1064	
J125	JACK - (4) 2X4 SFF STUD GRADE	GCF	1010	
J128	JACK - (2) 2X4 SFF STUD GRADE	GCF	1034	
J124	JACK - (5) 2X4 SP#H		2000	
J130	JACK - (5) 2X4 SP#H	GCB, GCF	1034, 2000	
J135	JACK - (2) 2X4 SFF STUD GRADE		1023	
J136	JACK - (2) 2X4 SFF STUD GRADE		1023	

FIELD INSTALLED FIRST FLOOR BEAM/HEADER SCHEDULE					
IDENTIFIER	DESCRIPTION	LENGTH	OPTIONS	ENG. NUM.	REMARKS
B101	BEAM STEEL - W10X26	10'-8"		1027	
B102	BEAM STEEL - W12X19	14'-11 3/8"	SXC	1031	
PF101-2	LVL 1.75 - II-04	14'-9"	GCB, GCF	1050	PORTAL FRAME 1A

- FLOOR PLAN NOTES**
- ALL HEADERS ARE (2) 2x6 w/ 2x4 WALLS OR (3) 2x6 w/ 2x6 WALLS, UNLESS OTHERWISE NOTED.
 - ALL HEADERS TO HAVE (1) 2x4 OR 2x6 JACK AND KING STUD EACH END, UNLESS OTHERWISE NOTED.
 - ALL EXTERIOR WALLS TO BE 4" w/ OSB OR 3 1/2" w/ LAMINATED FIBROUS STRUCTURAL SHEATHING, ALL INTERIOR WALLS TO BE 3 1/2", UNLESS OTHERWISE NOTED.
 - HATCHED AREAS INDICATE DROPPED CEILING. ALL DROPPED CEILING ARE 12" UNLESS OTHERWISE NOTED.
 - SEE "BRACED WALL PANEL DETAIL SHEET" FOR SPECIAL WALL FRAMING LOCATIONS AND HEADER SIZES, IF APPLICABLE.
 - SEE STANDARD DETAIL CATEGORY "IT" SHEET(S) FOR INTERIOR TRIM DETAILS.
 - SEE ARCHITECTURAL DETAIL SHEET "AD" FOR HOUSE SPECIFIC INTERIOR TRIM OPTION TABLE.
 - ALL WINDOWS HAVE 1'-0 1/2" HEADER HEIGHT UNLESS OTHERWISE NOTED.
 - ALL HEADERS IN NON-BEARING WALLS SHALL BE A SINGLE FLAT 2X4 OR 2X6 ATTACHED TO CRIPPLES ABOVE, UNLESS OTHERWISE NOTED.
 - TANKED WATER HEATER SHOWN AS BASE CONDITION. OPTIONAL TANKLESS WATER HEATER IS AVAILABLE IN LIEU OF TANKED WATER HEATER.

- GYPSUM NOTES**
- AT GARAGE:
GYPSUM BOARD AT COMMON WALLS, CEILINGS, BEAM WRAPS AND SUPPORTS PER STANDARD DETAIL FA-1(b) FIRE ASSEMBLIES OR AS REQUIRED BY LOCAL CODE.
- AT STAIRS:
1/2" GYPSUM BOARD AT UNDERSIDE OF STAIRS AND WALLS IN CLOSET

LEGEND

- BEARING WALL
- NON BEARING WALL
- INDICATES BEARING FROM POINT-LOAD ABOVE
- JACKS
- BEAM/HEADER
- PAD FOOTING
- STEEL COLUMN
- PORTAL FRAME
- JOIST/TRUSS
- LVL
- ENGINEERING PAGE NUMBER

SEE FC DETAILS FOR FRAMING CONNECTORS

- LVL PLY TO PLY FASTENING SCHEDULE:** (WHERE APPLICABLE BASED ON LVL USAGE)
- 1A - (2) PLY UP TO AND INCLUDING 11 7/8" TALL; FASTEN PLYS W/ (2) ROWS 16D NAILS AT 12" O.C. OR ALT 1 1/2" WIDE LVL FASTEN PLYS W/ (3) ROWS 12D NAILS AT 12" O.C.
 - 2A - (2) PLY 14" TO AND 18" TALL (INCLUSIVE); FASTEN PLYS W/ (3) ROWS 16D NAILS AT 12" O.C. OR ALT 1 1/2" WIDE LVL FASTEN PLYS W/ (4) ROWS 12D NAILS AT 12" O.C.
 - 3A - (2) PLY 20" TALL AND OVER; FASTEN PLYS W/ (4) ROWS 16D NAILS AT 12" O.C. OR ALT 1 1/2" WIDE LVL FASTEN PLYS W/ (5) ROWS 12D NAILS AT 12" O.C.
 - 4A - (3) PLY UP TO AND INCLUDING 11 7/8" TALL; FASTEN PLYS W/ (2) ROWS 16D NAILS AT 12" O.C. FROM EACH SIDE OR ALT 1 1/2" WIDE LVL FASTEN PLYS W/ (3) ROWS 12D NAILS AT 12" O.C. FROM EACH SIDE.
 - 5A - (3) PLY 14" TO AND 18" TALL (INCLUSIVE); FASTEN PLYS W/ (3) ROWS 16D NAILS AT 12" O.C. FROM EACH SIDE OR ALT 1 1/2" WIDE LVL FASTEN PLYS W/ (4) ROWS 12D NAILS AT 12" O.C. FROM EACH SIDE.
 - 6A - (3) PLY 20" TALL AND OVER; FASTEN PLYS W/ (4) ROWS 16D NAILS AT 12" O.C. FROM EACH SIDE OR ALT 1 1/2" WIDE LVL FASTEN PLYS W/ (5) ROWS 12D NAILS AT 12" O.C. FROM EACH SIDE.
 - 7A - (4) PLY (ALL SIZES); FASTEN PLYS W/ (2) ROWS 1/2" DIAMETER A307 BOLTS AT 24" O.C.
- SEE SHOP DRAWINGS FOR ADDITIONAL INFORMATION.

REVISIONS

REV. NO.	DATE	DESCRIPTION

REMARKS

SET NO. HUDCO
VERSION 01
DRAWN BY SKB
DATE:
OPTION

MODEL HUDSON
DRAWING TITLE
FIRST FLOOR PLAN
OPTION DESCRIPTION

SHEET NO. A-7

33

NVR, Inc. owner, expressly reserves its copyright in these plans. These plans are not to be reproduced, changed, copied, or used in any way without the written consent of NVR, Inc.

NVR
NVR, Inc.
Architectural Services
5285 Westpark Drive
Frederick, MD 21703

C:\NVR\Server\HUDSON_HUDCO_01\DCI-VG-1491\6644 Sheets\Lot_Specific\35_A-7_FLN1_LS.dwg 07/17/18 - 2:58 am

NOTE:
EXTERIOR WALLS DRAWN TO FRAMING WIDTH, EXTERIOR SHEATHING IS NOT INCLUDED IN WALL THICKNESS.

LEGEND

- BEARING WALL
- - - NON BEARING WALL
- ⊗ INDICATES BEARING FROM POINT-LOAD ABOVE
- J JACKS
- B BEAM/HEADER
- F PAD FOOTING
- C STEEL COLUMN
- X PORTAL FRAME
- X JOIST/TRUSS
- L LVL
- (X) ENGINEERING PAGE NUMBER

SEE FC DETAILS FOR FRAMING CONNECTORS

FLOOR PLAN NOTES

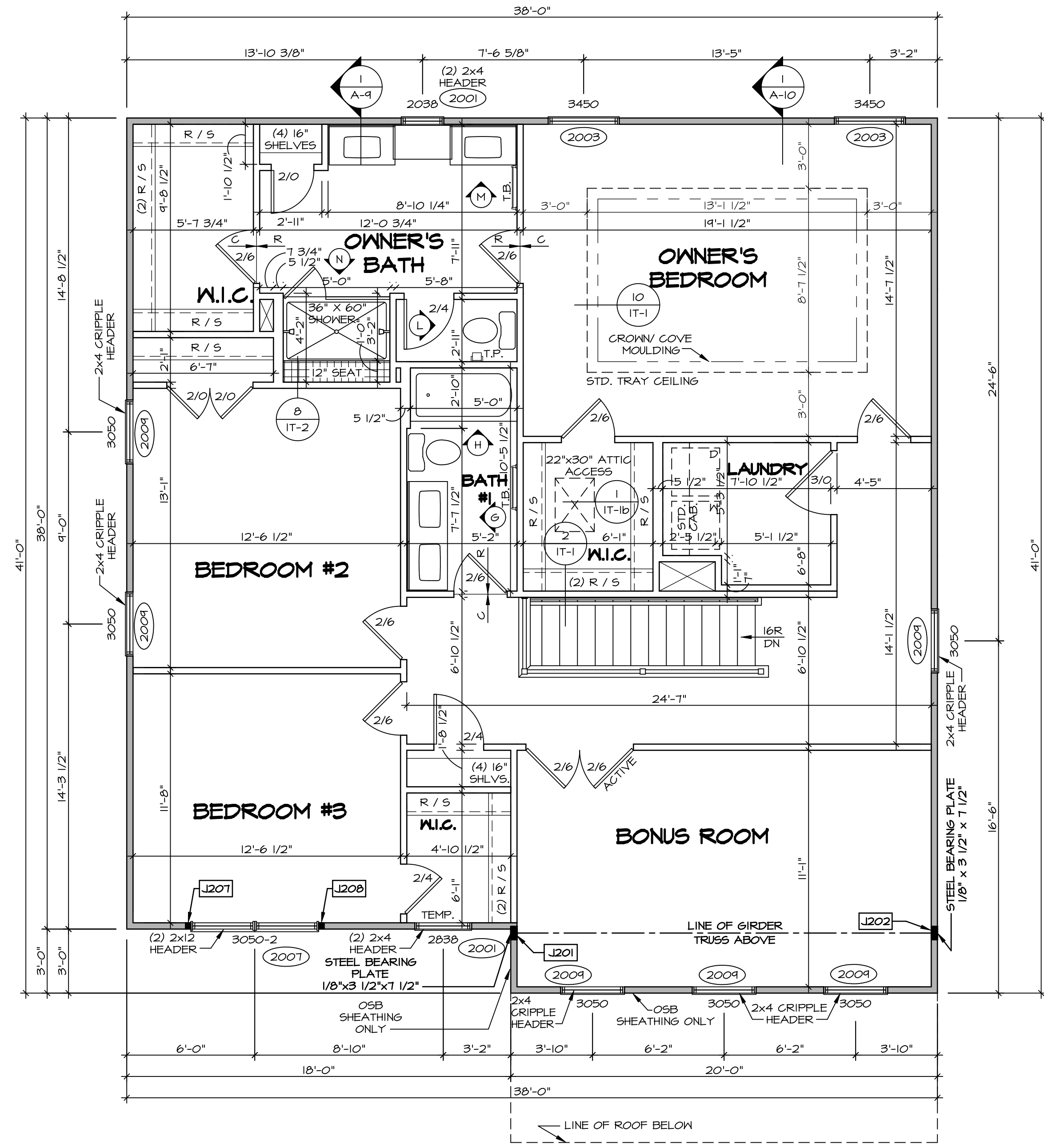
- ALL HEADERS ARE (2) 2x6 w/ 2x4 WALLS, UNLESS OTHERWISE NOTED.
- ALL HEADERS TO HAVE (1) 2x4 OR 2x6 JACK AND KING STUD EACH END, UNLESS OTHERWISE NOTED.
- ALL EXTERIOR WALLS TO BE 4" w/ OSB OR 3 1/2" w/ LAMINATED FIBROUS STRUCTURAL SHEATHING, ALL INTERIOR WALLS TO BE 3 1/2", UNLESS OTHERWISE NOTED.
- HATCHED AREAS INDICATE DROPPED CEILING. ALL DROPPED CEILING ARE 12" UNLESS OTHERWISE NOTED.
- SEE "BRACED WALL PANEL DETAIL SHEET" FOR SPECIAL WALL FRAMING LOCATIONS AND HEADER SIZES, IF APPLICABLE.
- SEE STANDARD DETAIL CATEGORY "11" SHEET(S) FOR INTERIOR TRIM DETAILS.
- SEE ARCHITECTURAL DETAIL SHEET "AD" FOR HOUSE SPECIFIC INTERIOR TRIM OPTION TABLE.
- ALL WINDOWS HAVE 7'-0 1/2" HEADER HEIGHT UNLESS OTHERWISE NOTED.
- ALL HEADERS IN NON-BEARING WALLS SHALL BE A SINGLE FLAT 2x4 OR 2x6 ATTACHED TO CRIPPLES ABOVE, UNLESS OTHERWISE NOTED.
- TANKED WATER HEATER SHOWN AS BASE CONDITION, OPTIONAL TANKLESS WATER HEATER IS AVAILABLE IN LIEU OF TANKED WATER HEATER.

GYPSON NOTES

AT GARAGE:
GYPSUM BOARD AT COMMON WALLS, CEILING, BEAM WRAPS AND SUPPORTS PER STANDARD DETAIL FA-1(b) FIRE ASSEMBLIES OR AS REQUIRED BY LOCAL CODE.

AT STAIRS:
1/2" GYPSUM BOARD AT UNDERSIDE OF STAIRS AND WALLS IN CLOSET

SECOND FLOOR JACK SCHEDULE				
IDENTIFIER	DESCRIPTION	OPTIONS	ENG. NUM.	REMARKS
J201	JACK - (5) 2X4 SPF	ELA, ELK	2000	EXTEND THROUGH TOP PLATE w/ STEEL BEARING PLATE 1/8" x 3 1/2" x 7 1/2"
J202	JACK - (5) 2X4 SPF		2000	EXTEND THROUGH TOP PLATE w/ STEEL BEARING PLATE 1/8" x 3 1/2" x 7 1/2"
J207	JACK - (2) 2X4 SPF STUD GRADE	ELA, ELB, ELK, ELL	2007	
J208	JACK - (2) 2X4 SPF STUD GRADE	ELA, ELB, ELK, ELL	2007	

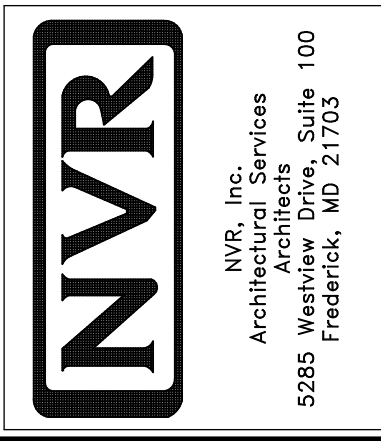


1 SECOND FLOOR PLAN
SCALE: 1/4" = 1'-0"

REMARKS

REV. NO.	DATE

NVR, Inc., owner, expressly reserves the copyright in these plans. These plans are not to be reproduced, changed, photocopied, or otherwise used without the written consent of NVR, Inc.



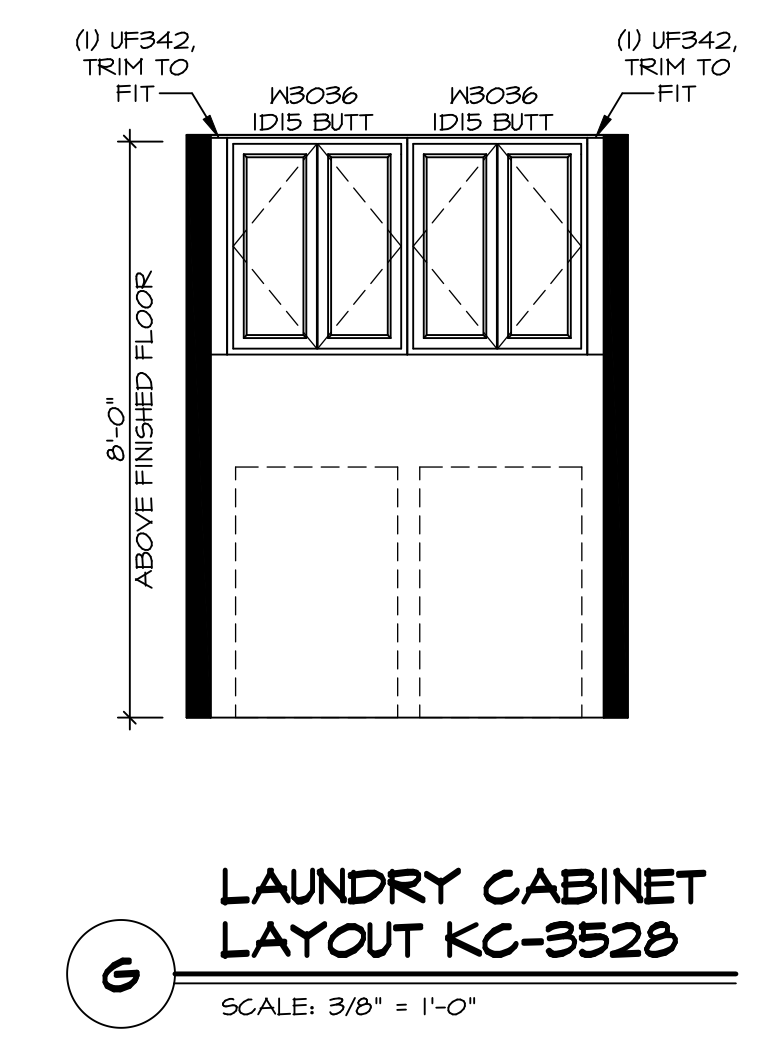
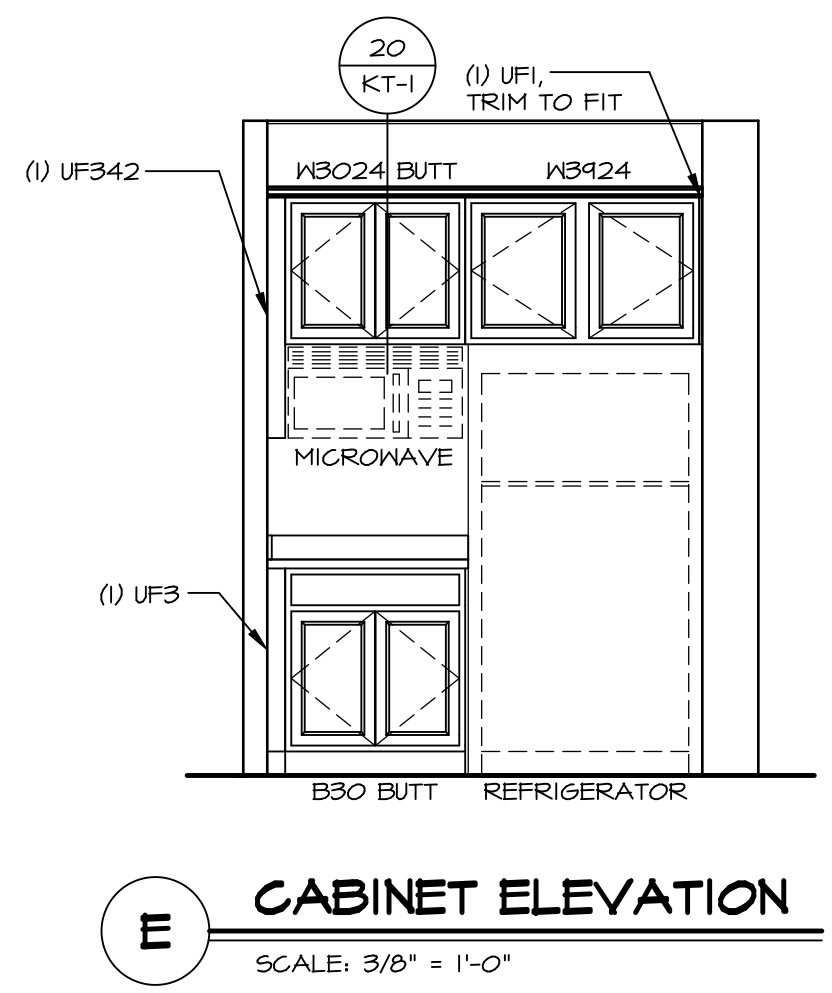
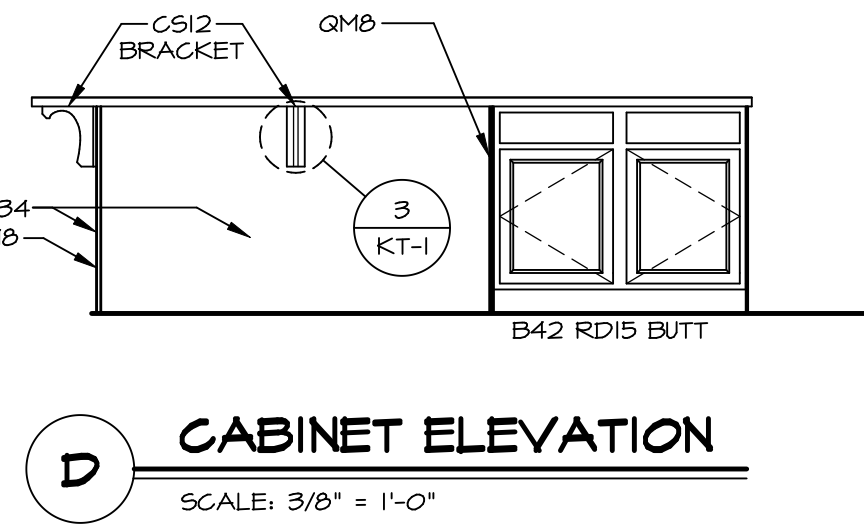
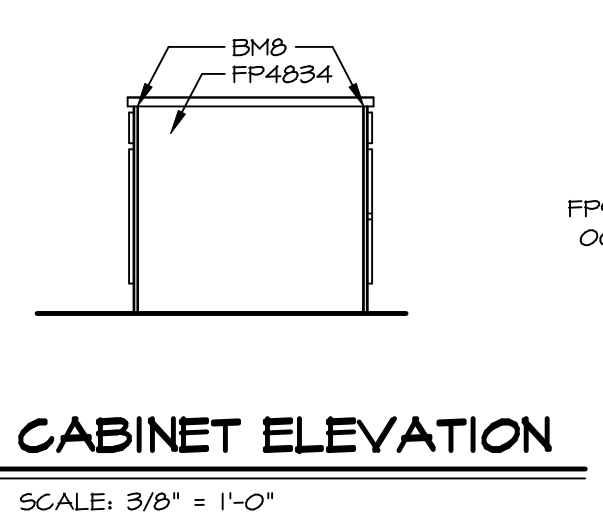
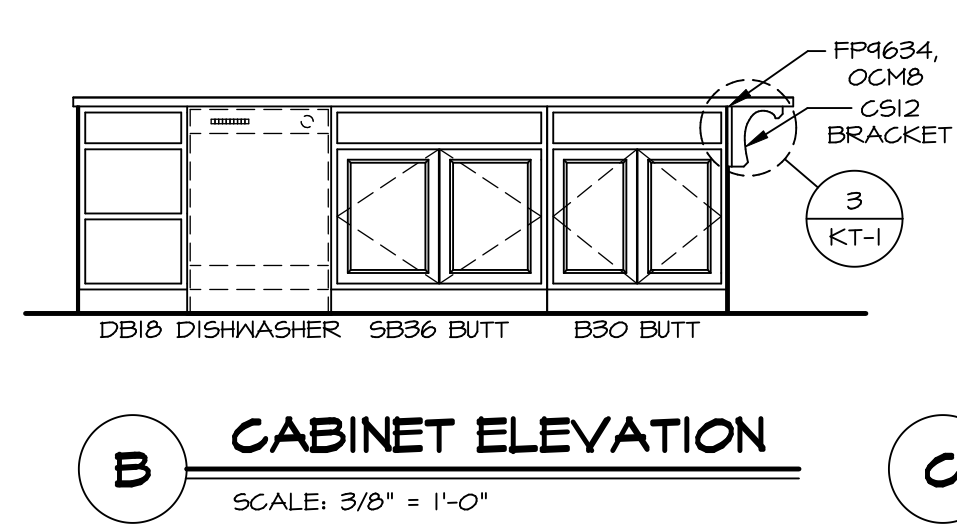
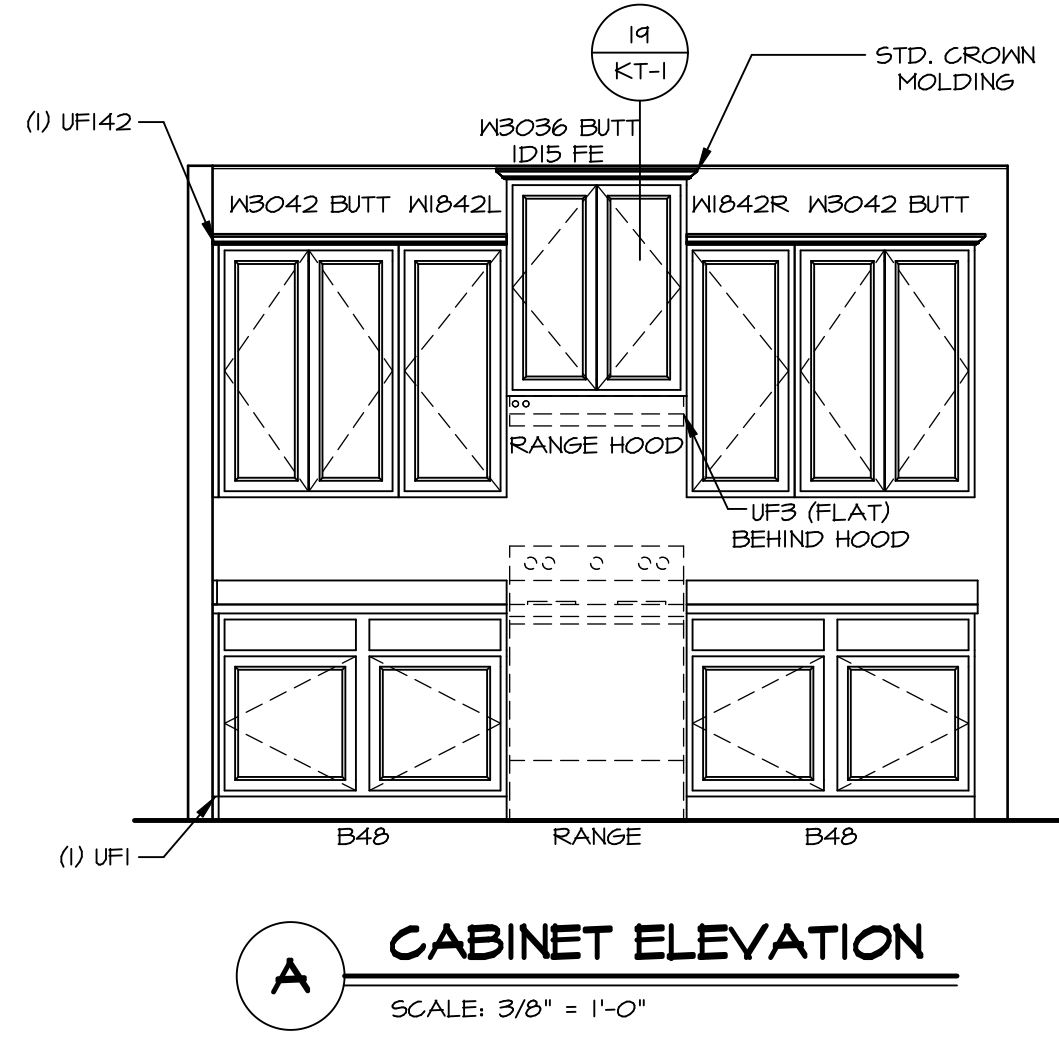
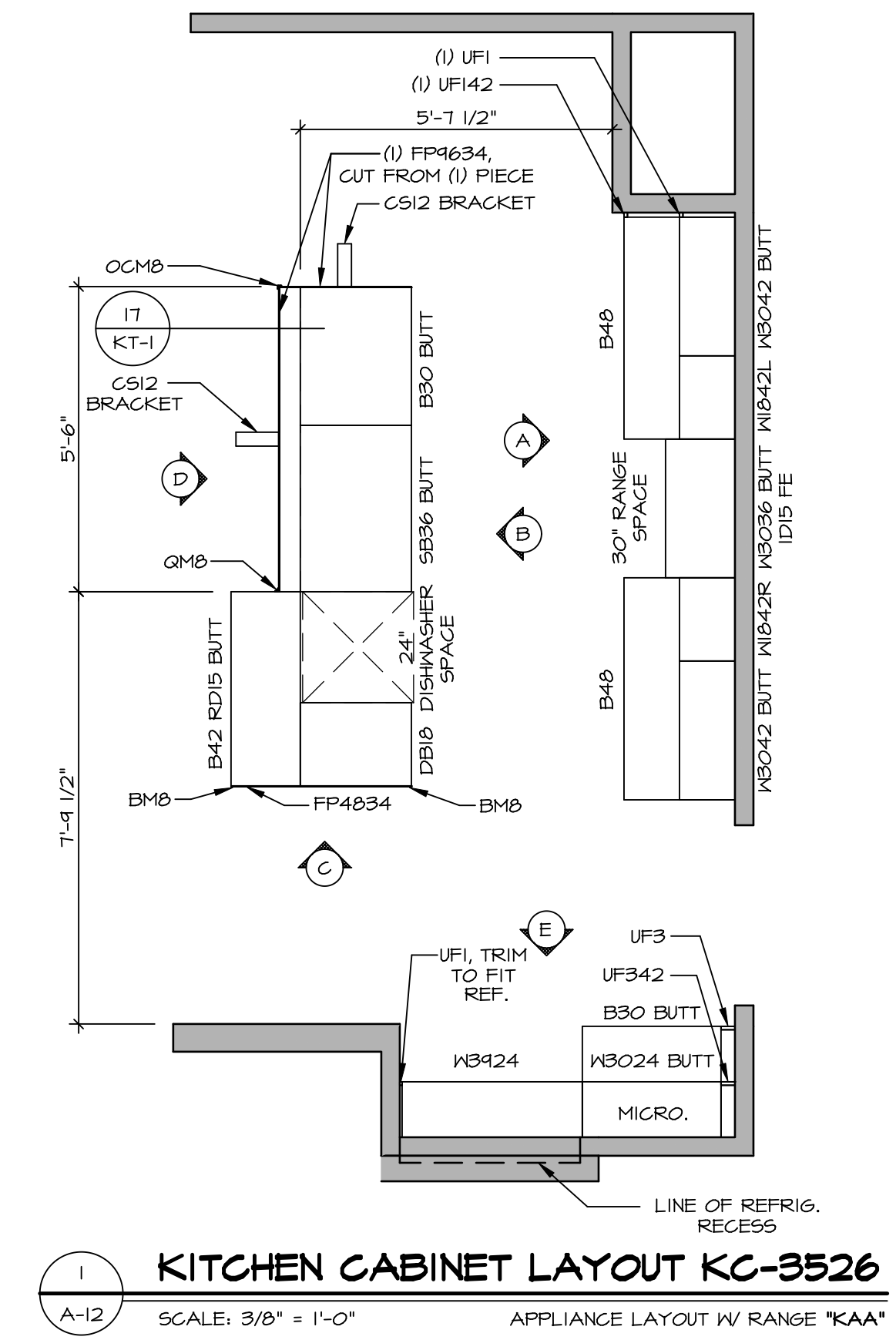
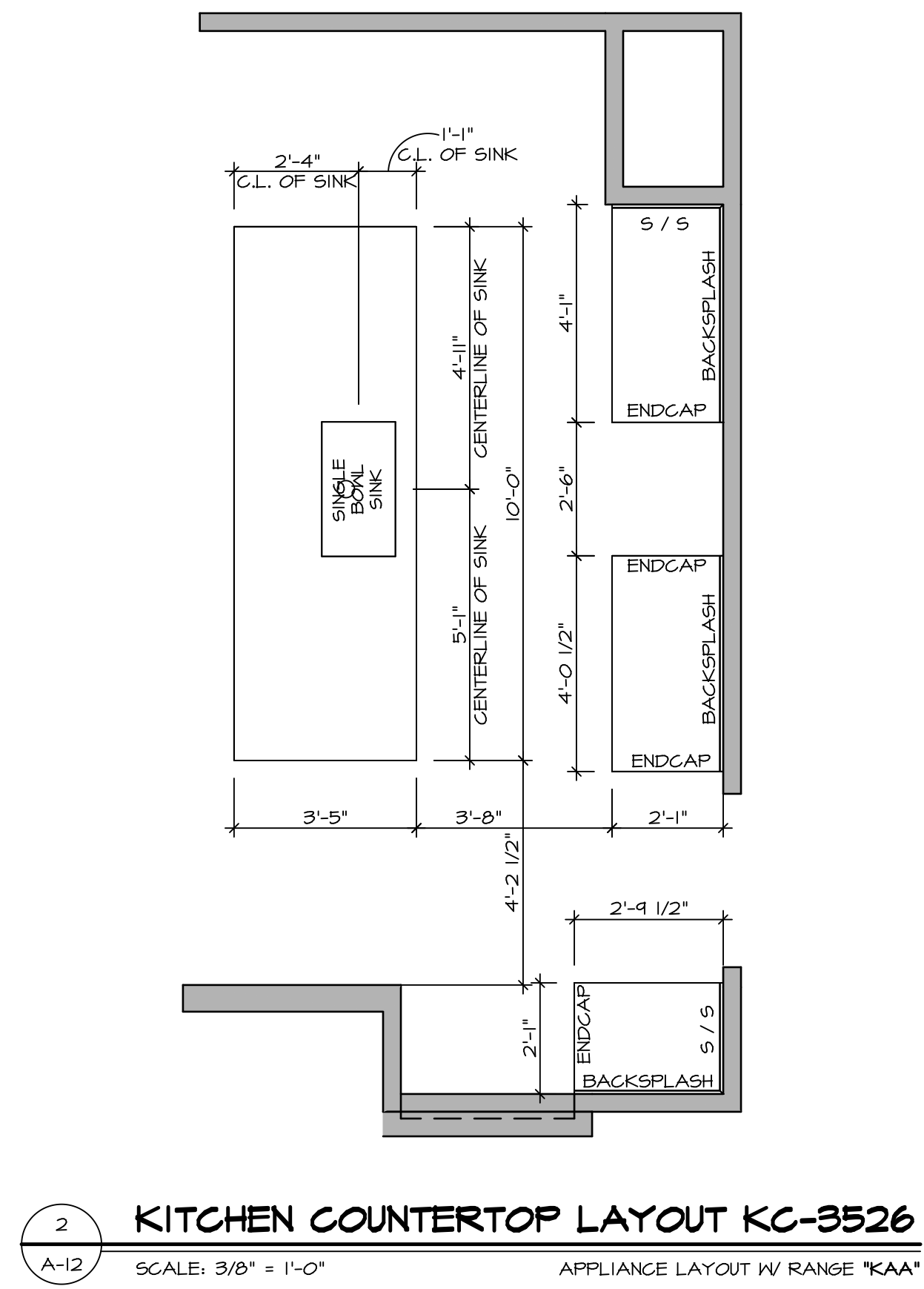
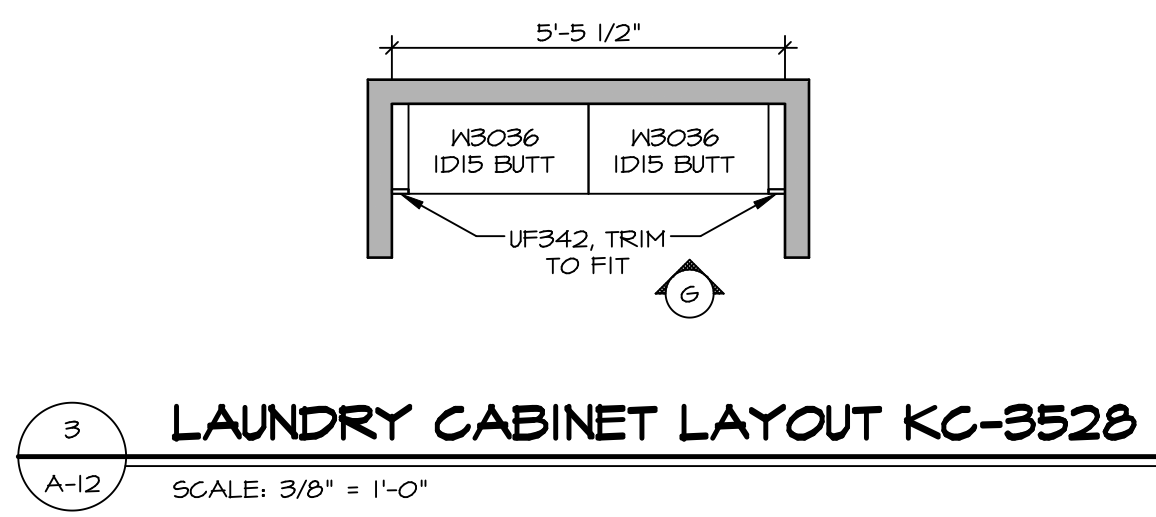
SHEET NO.	A-8	38
MODEL	HUDSON	
VERSION	01	
DRAWN BY	SKB	
DRAWING TITLE	SECOND FLOOR PLAN	
DATE:		
OPTION		

SET NO. HUD00
DRAWING TITLE
SECOND FLOOR PLAN
OPTION DESCRIPTION

C:\NVR\Software\HUDSON_HUDDO_01\DCY-V6-1491\664944\Sheets\Lot_Specific\58_A-8_FLN2_LS.dwg 07/17/18 - 2:58 pm

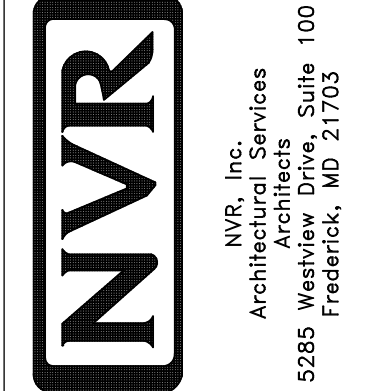
NOTE:
CABINET LAYOUT(S) ARE
BASED ON FINISHED
DIMENSION TO DRYWALL.

NOTE:
KITCHEN ELEVATIONS/PLANS CALL
OUT STANDARD MOLDING. REFER TO
DETAIL 11/KT-1 FOR REPLACEMENT
BASED ON CABINET STYLE.



REV. NO.	DATE	REMARKS

NVR, Inc., owner, expressly reserves its copyright in these plans. These plans are not to be reproduced, changed, copied in any way, or otherwise used, without the written consent of NVR, Inc.

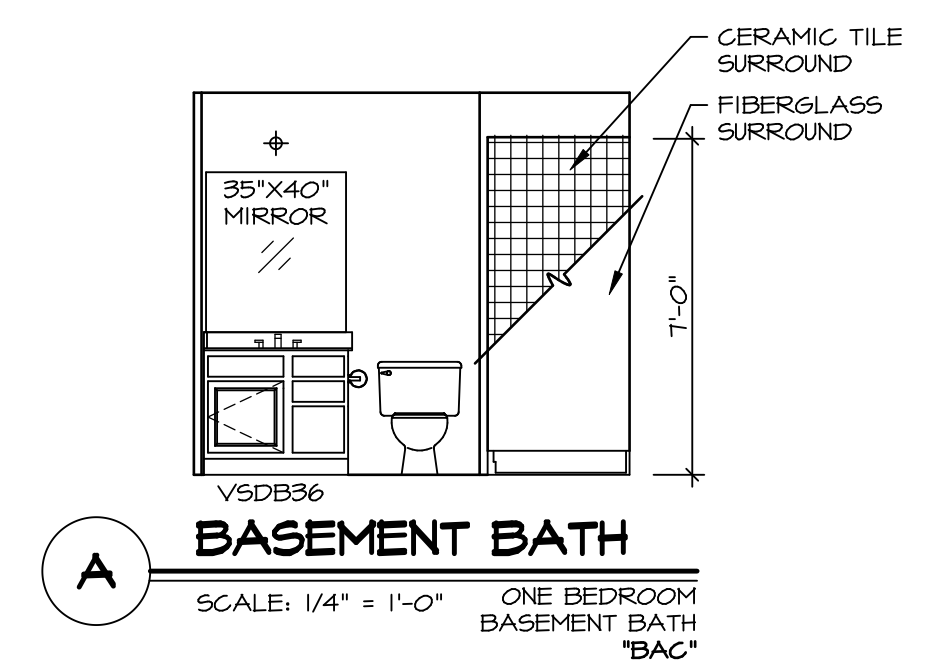
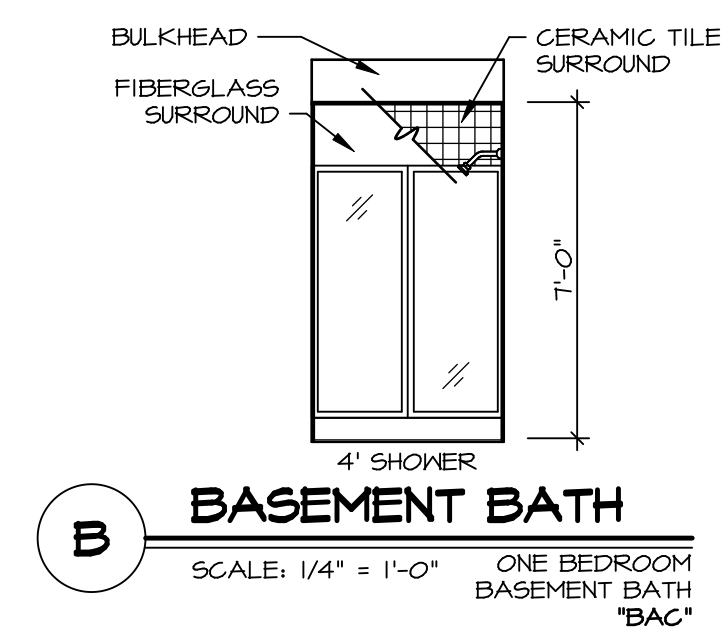
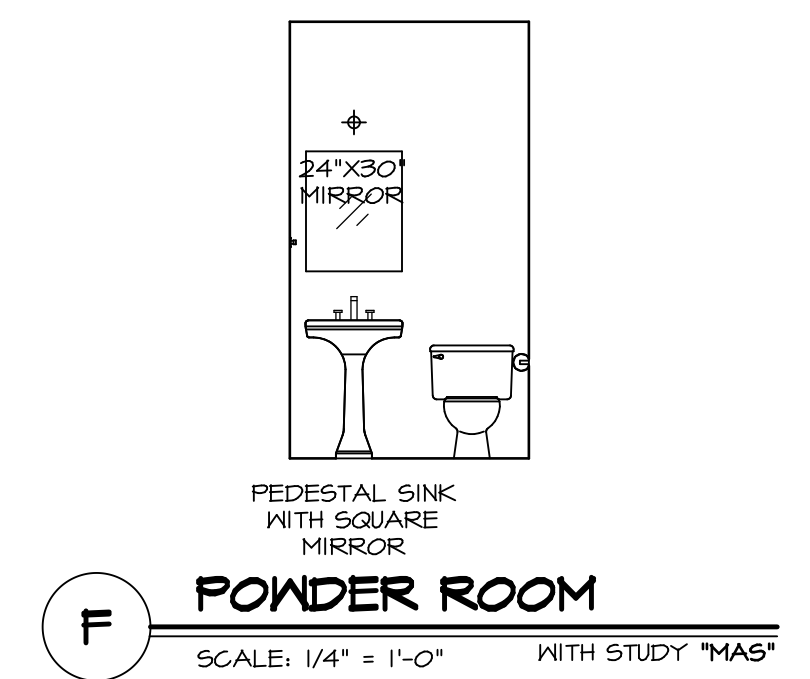
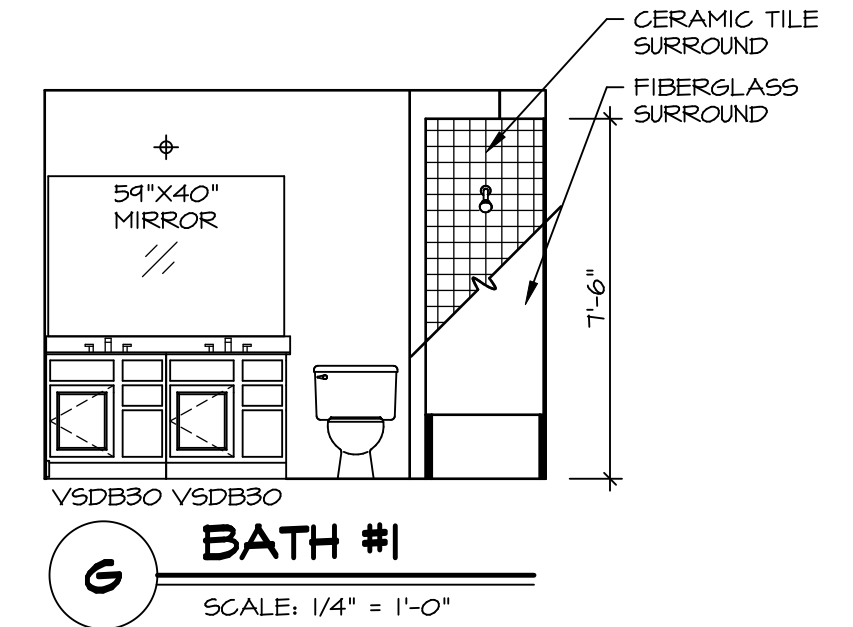
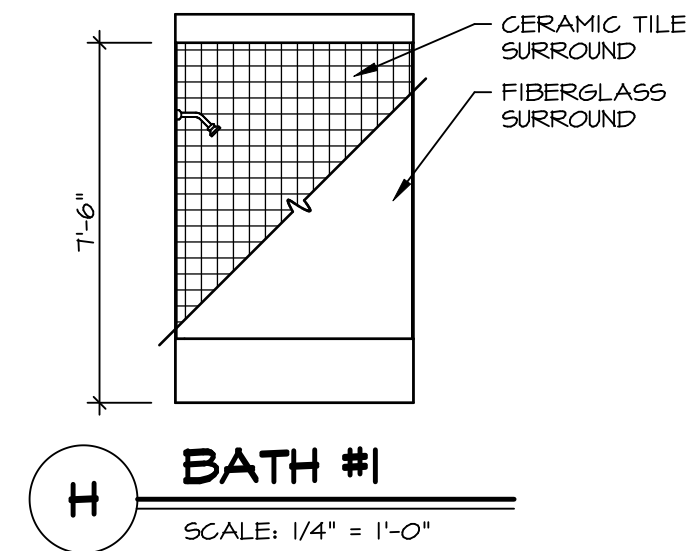
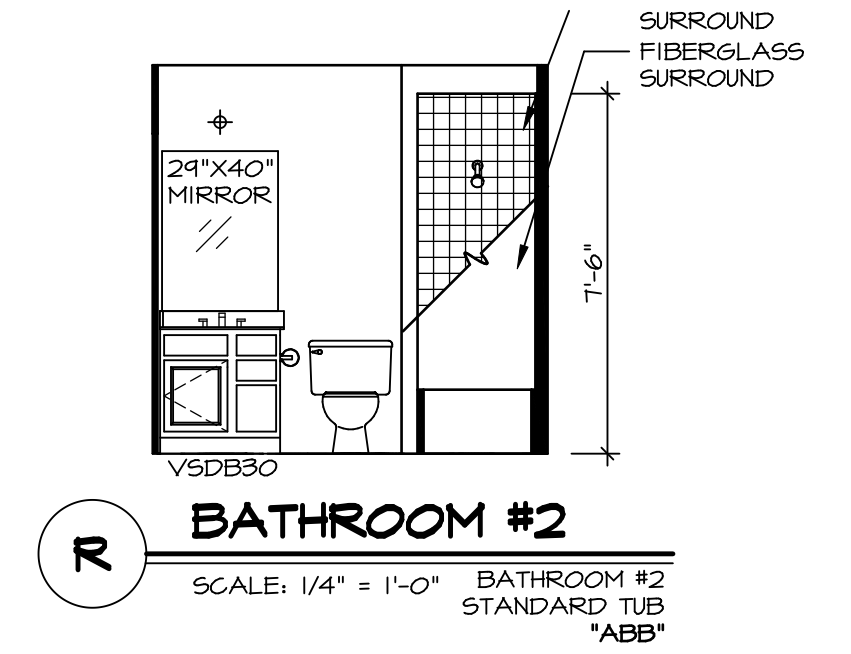
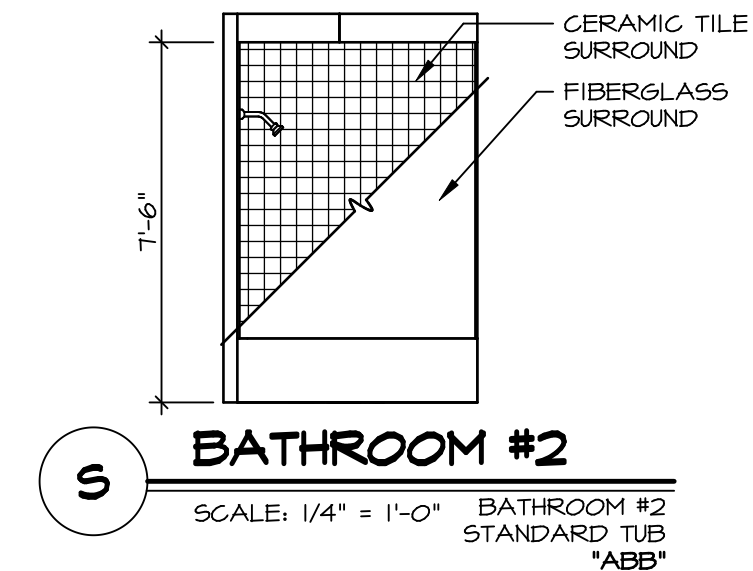
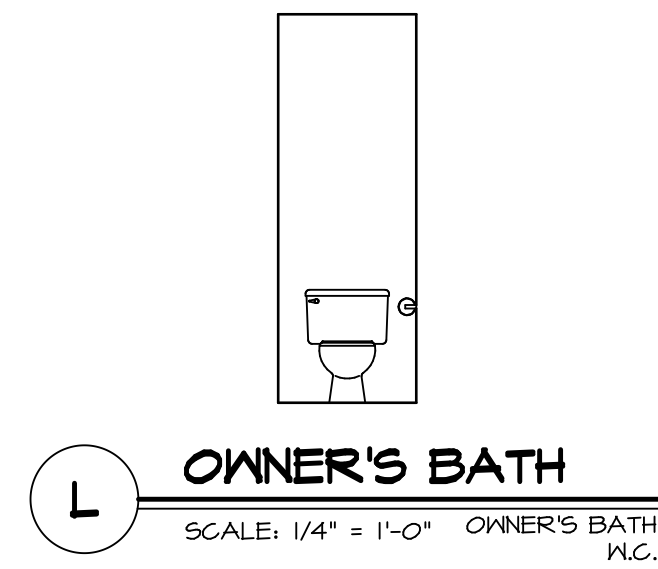
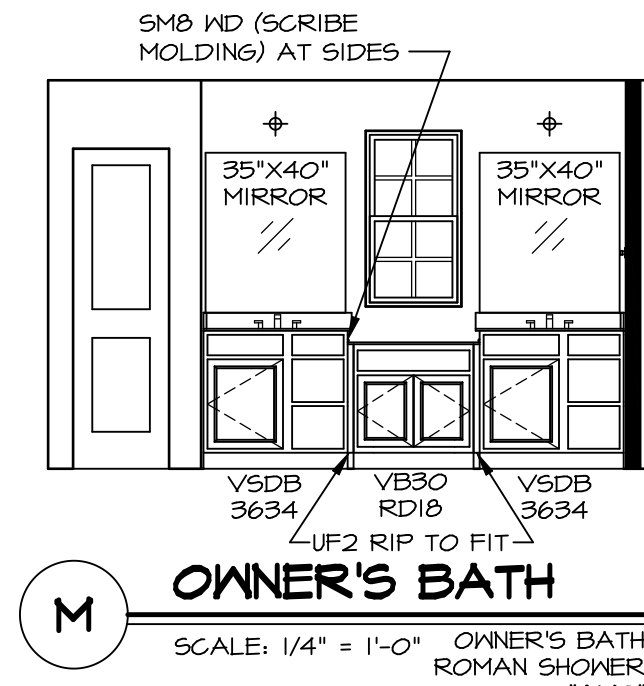
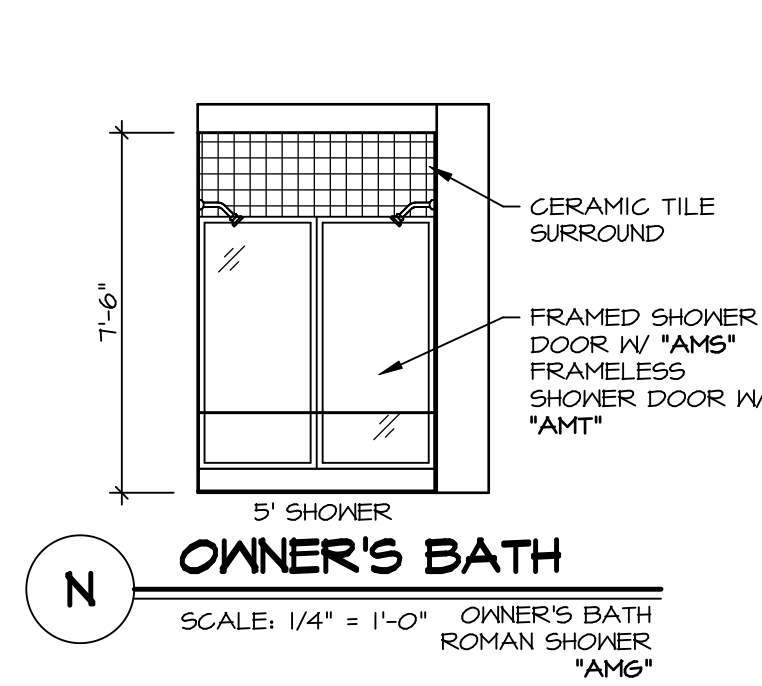


SET NO. HUD00	VERSION 01
DRAWN BY SGA	DATE:
OPTION	

SHEET NO. A-12	MODEL HUDSON KITCHENS	DRAWING TITLE KITCHENS	OPTION DESCRIPTION
59			

NOTES:

1. TEMPERED GLASS SHOWER ENCLOSURE WITH SWING DOOR OR OPTIONAL SLIDING DOOR BY DIVISION
2. TUB ACCESS PANELS PROVIDED AS NEEDED, ALL MATERIALS BY DIVISION
3. REFER TO SHEET D-XX FOR TUB AND SHOWER DETAILS.
4. ALL VSDB24-42 DRAWERS TO BE SET ON RIGHT HAND.
5. ALL BATH ELEVATIONS ARE SHOWN PER PLAN.



REV. NO.	DATE	REMARKS

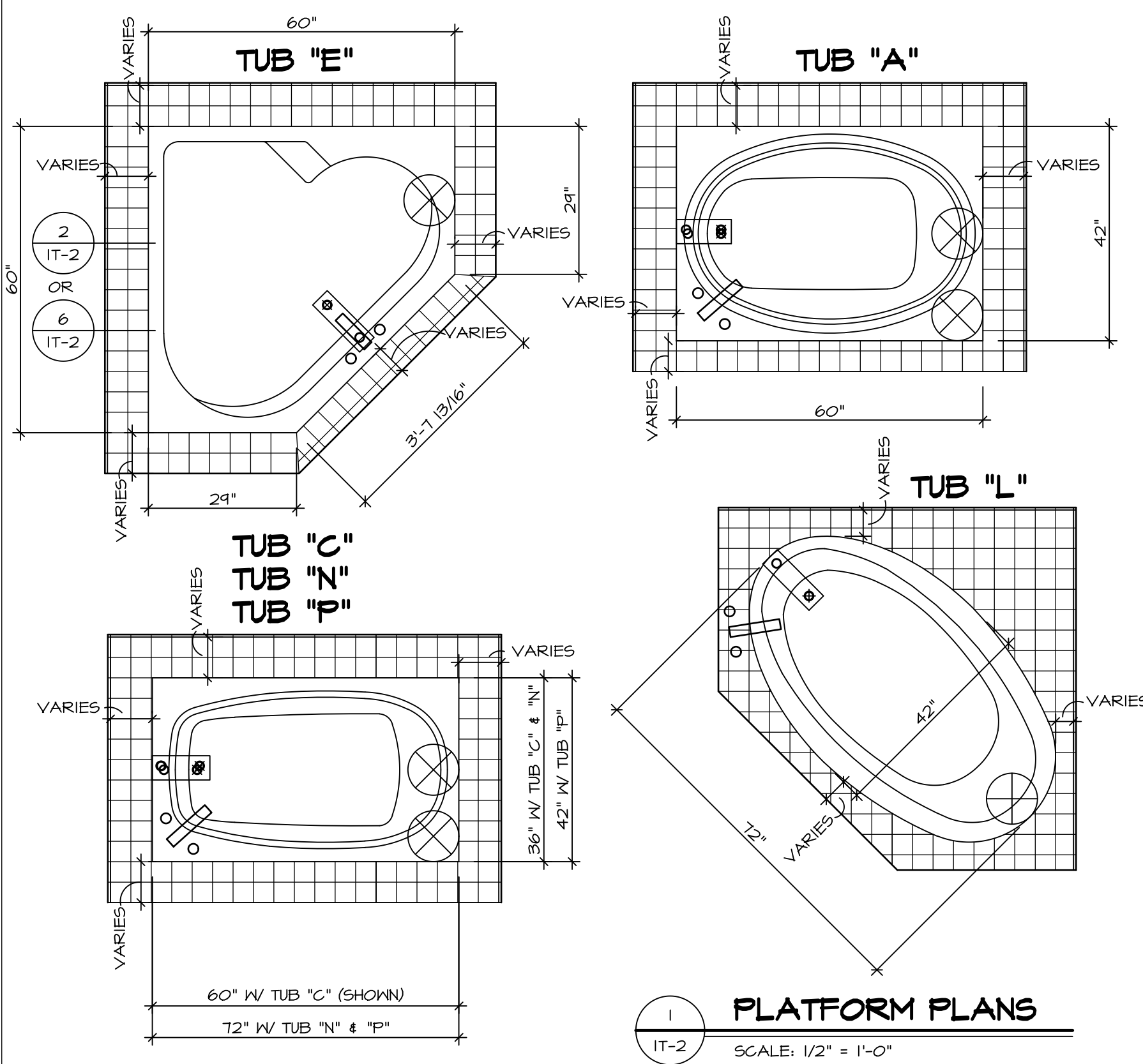
NVR, Inc., owner, expressly reserves its copyright in these plans. These plans are not to be reproduced, changed, copied, or otherwise used in any way without the written consent of NVR, Inc.

NVR
NVR, Inc.
Architectural Services
Architects
5285 Westpark Drive
Frederick, MD 21703

SET NO. HUD00
VERSION 01
DRAWN BY SKB
DATE:
OPTION

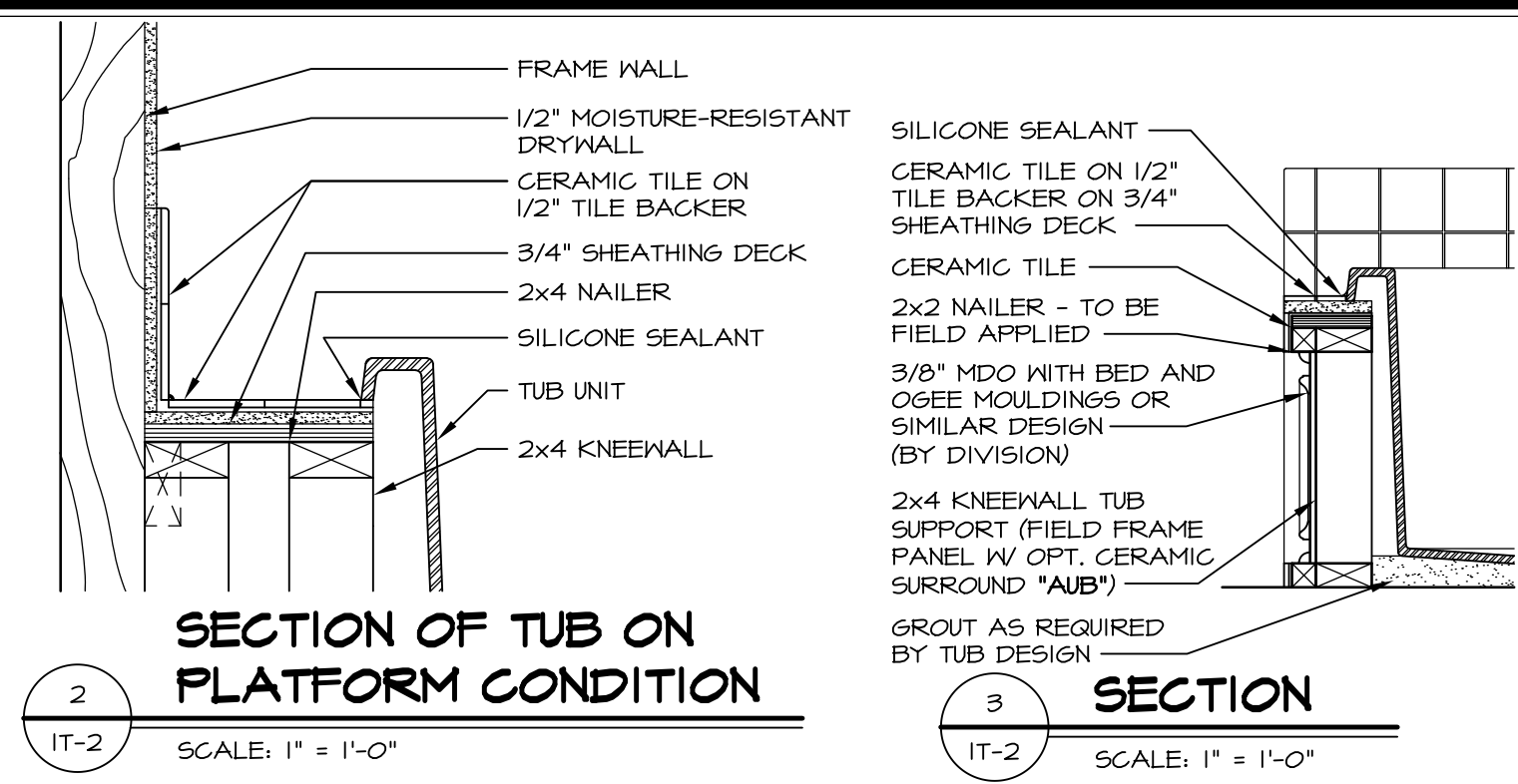
MODEL
HUDSON
DRAWING TITLE
BATH ELEVATIONS
OPTION DESCRIPTION

SHEET NO.
A-13
60

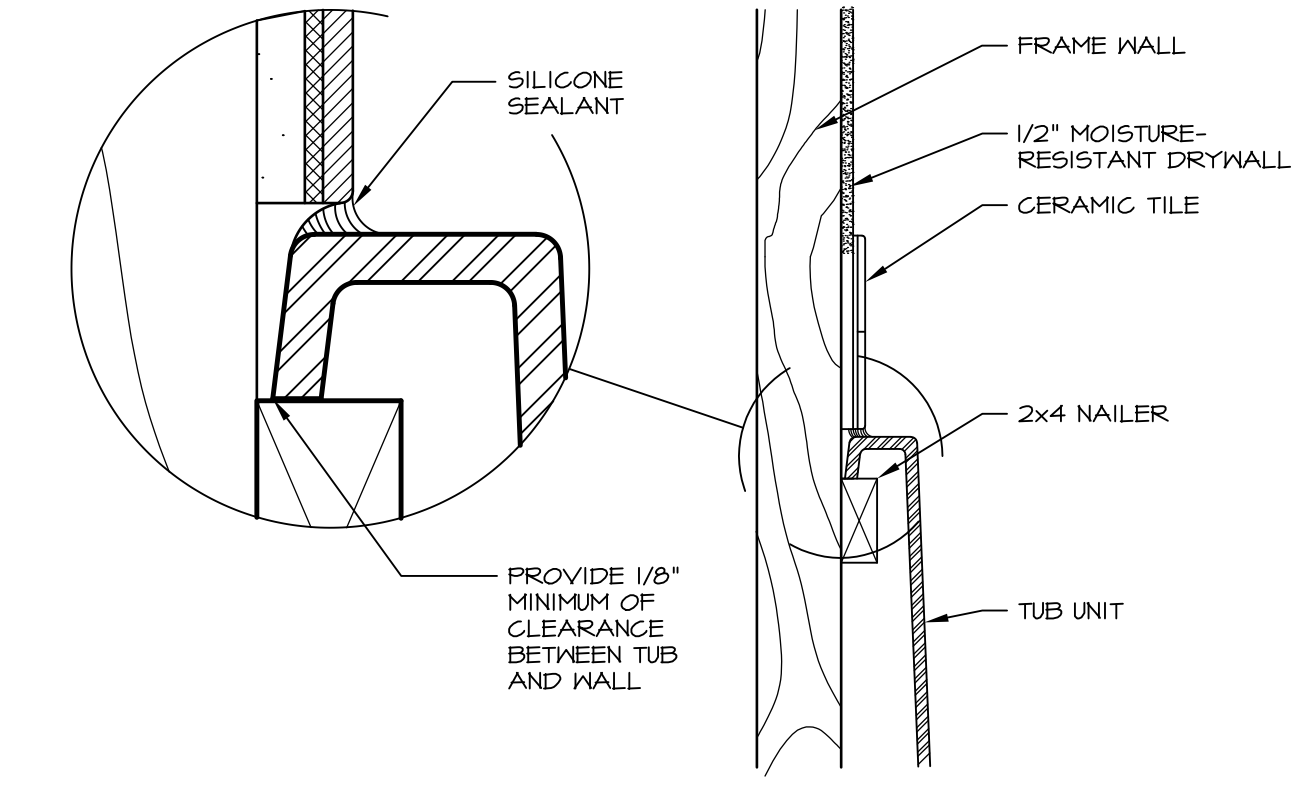


1 PLATFORM PLANS
SCALE: 1/2" = 1'-0"

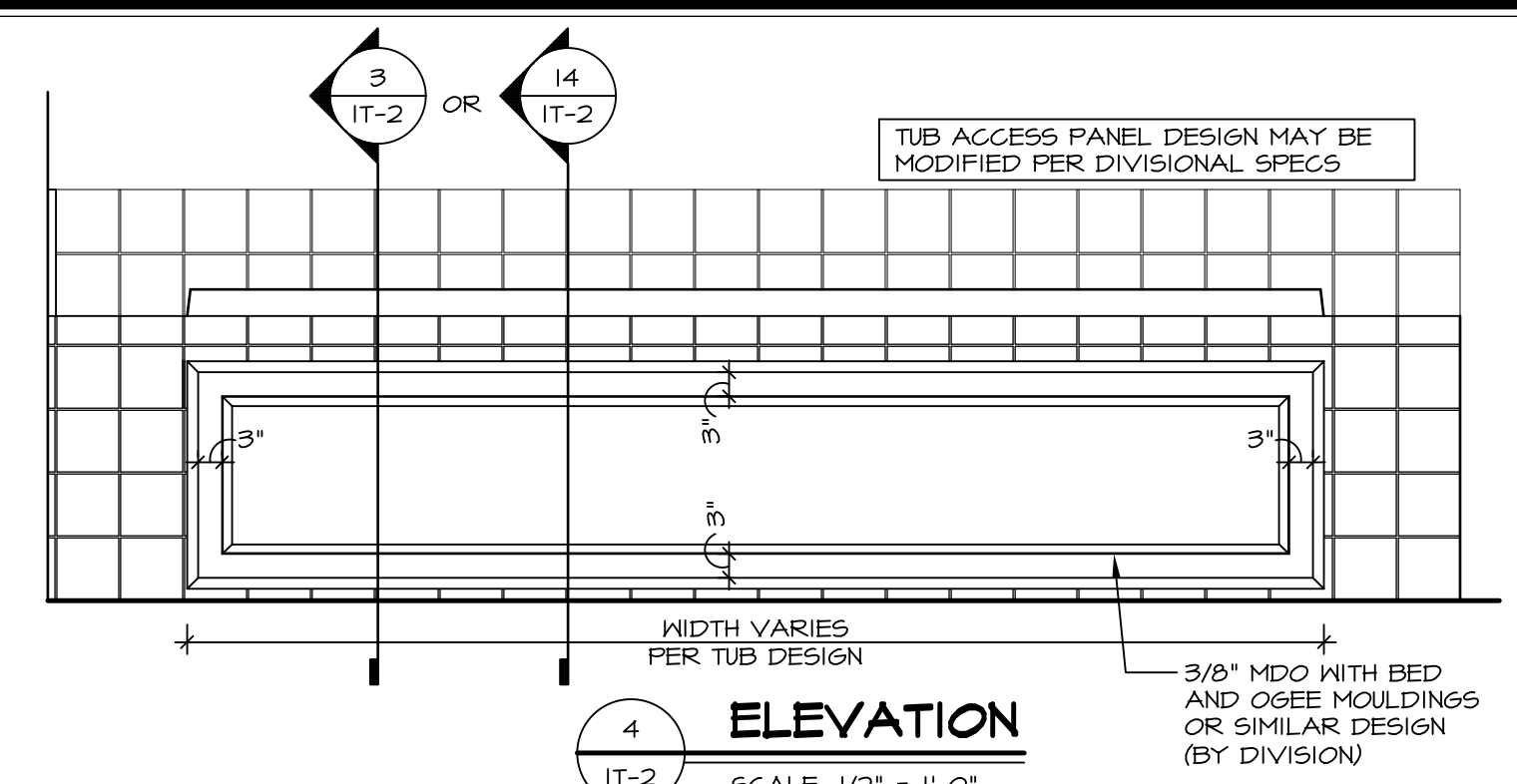
TUB	MANUF.	HEIGHT	WIDTH	LENGTH	TUB DECK PANEL HEIGHT
"A"	KOHLER/ STERLING	18 3/4"	42"	60"	17 1/8"
"C"	KOHLER/ STERLING	18 3/4"	36"	60"	17 1/8"
"E"	KOHLER/ STERLING	19 1/2"	60"	60"	17 7/8"
"L"	KOHLER/ STERLING	18 1/2"	42"	72"	16 7/8"
"N"	KOHLER/ STERLING	18 3/4"	36"	72"	17 1/8"
"P"	KOHLER/ STERLING	18 3/4"	42"	72"	17 1/8"



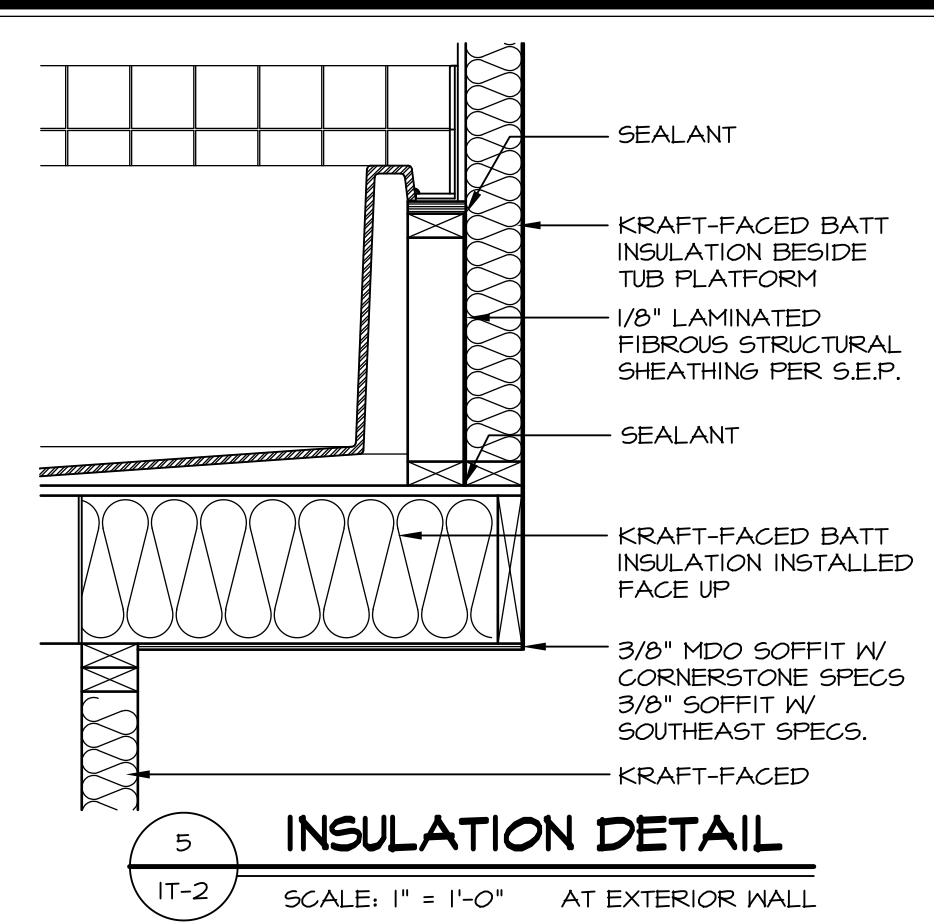
2 SECTION OF TUB ON PLATFORM CONDITION
SCALE: 1" = 1'-0"



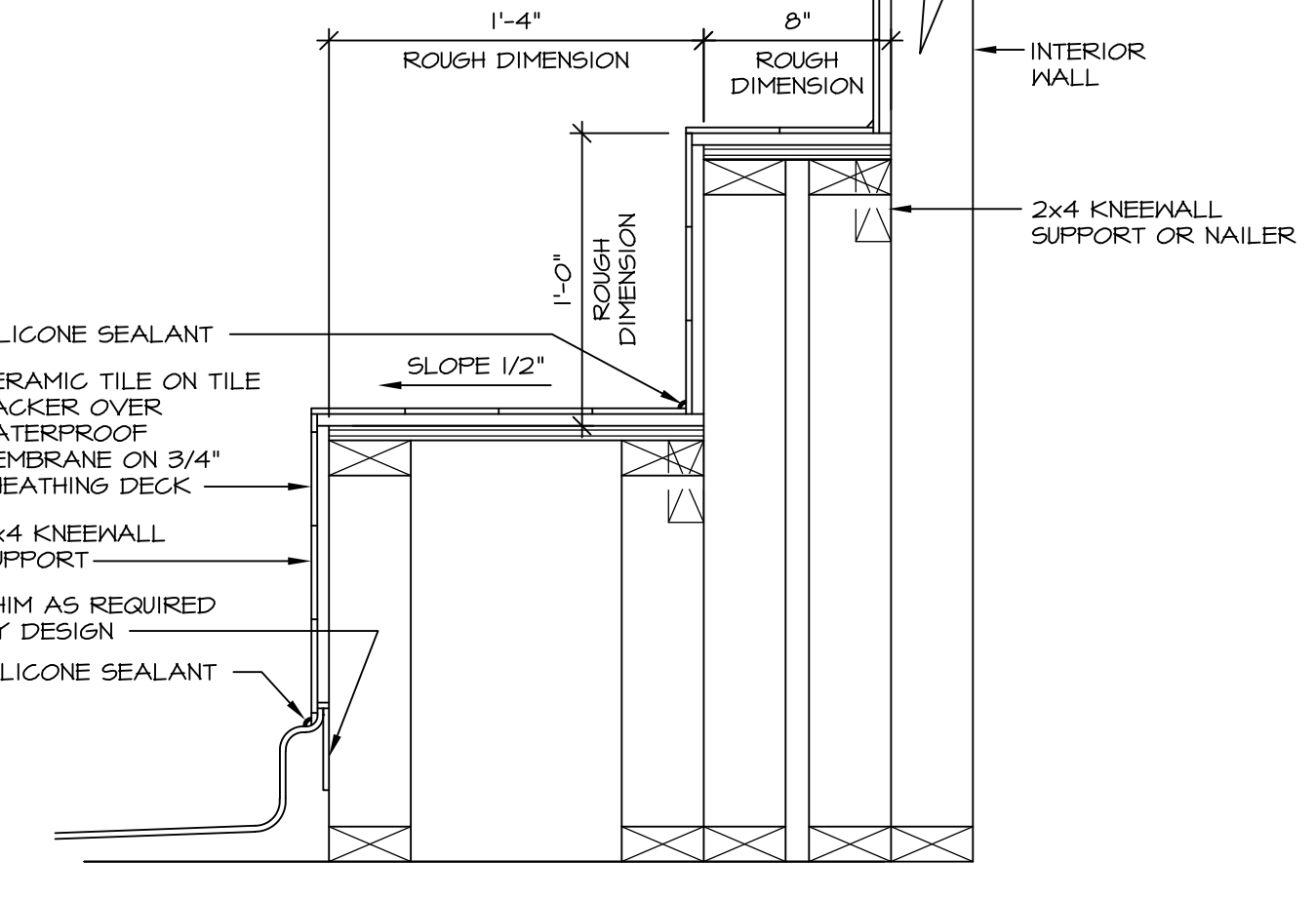
3 SECTION OF TUB TO WALL CONDITION
SCALE: 1 1/2" = 1'-0"



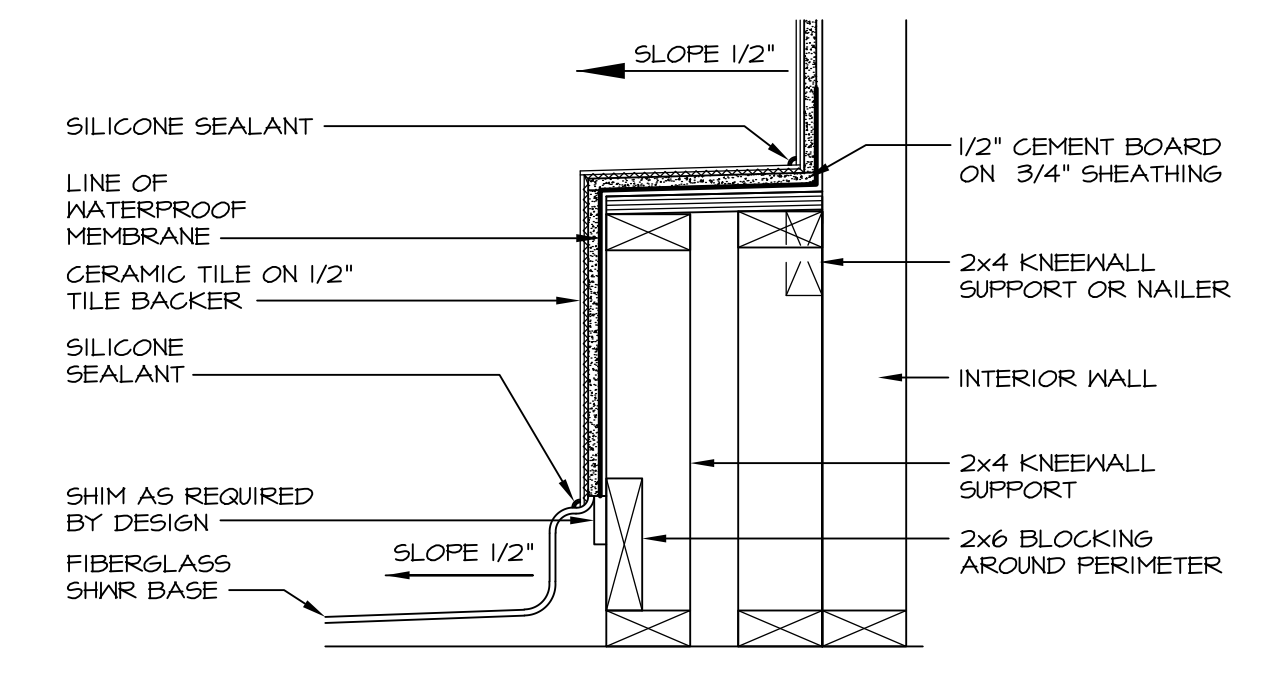
4 ELEVATION
SCALE: 1/2" = 1'-0"



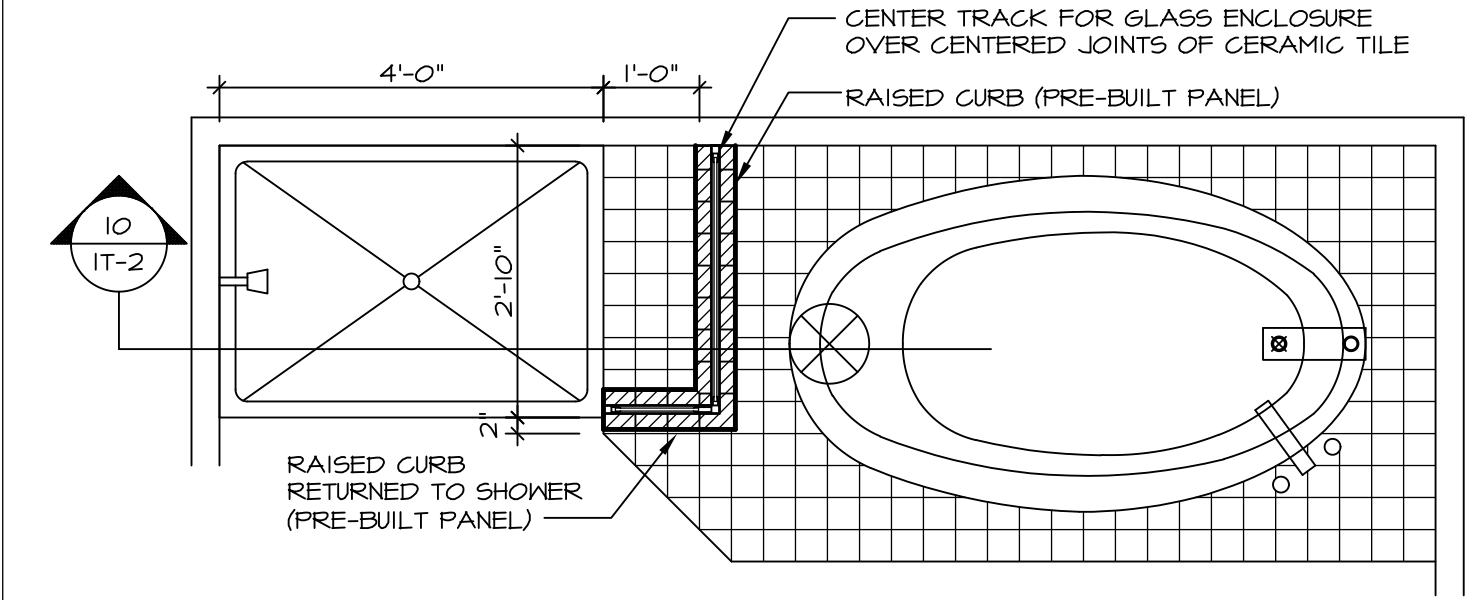
5 INSULATION DETAIL
SCALE: 1" = 1'-0" AT EXTERIOR WALL



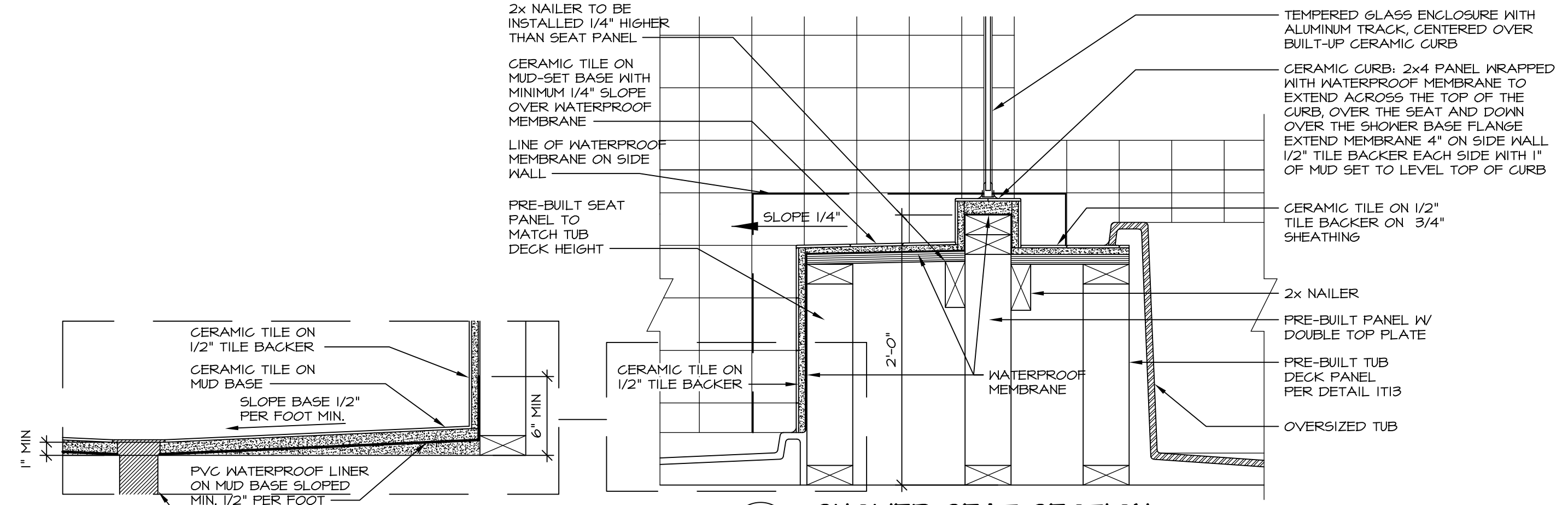
7 SECTION OF SHOWER SEAT AND SHELF
SCALE: 1 1/2" = 1'-0"



8 SECTION OF SHOWER SEAT
SCALE: 1-1/2" = 1'-0" FIBERGLASS SHOWER BASE



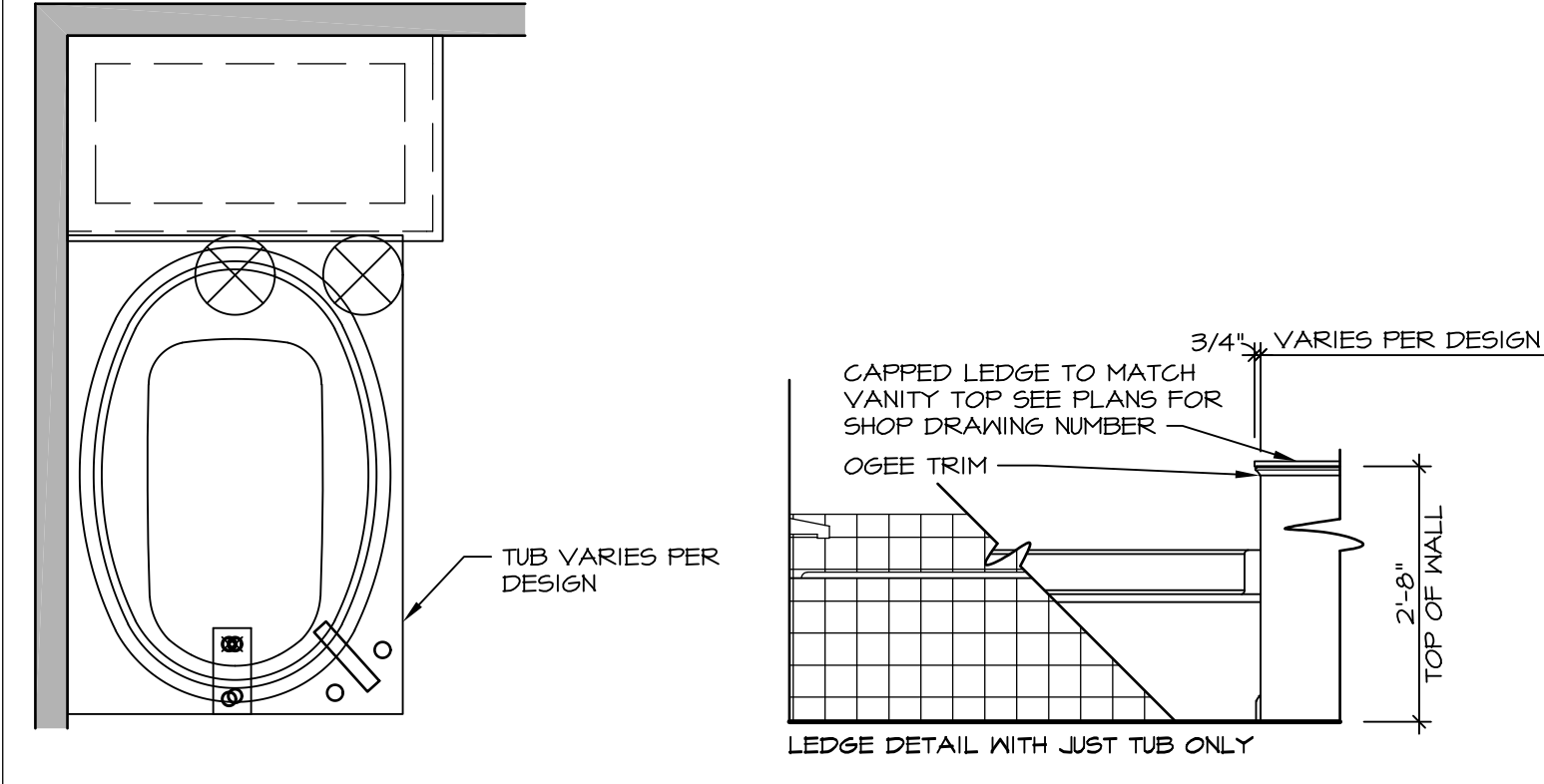
9 SHOWER SEAT PLAN / DETAIL
SCALE: 1/2" = 1'-0"



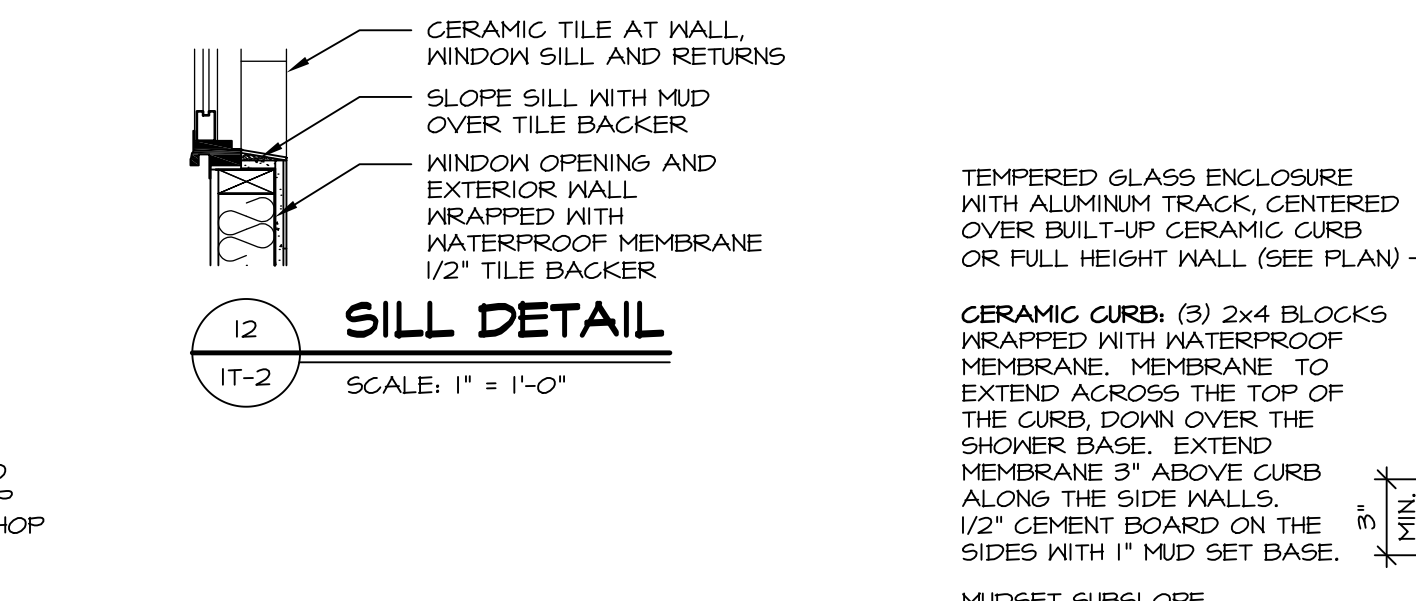
10 SHOWER SEAT SECTION
SCALE: 1-1/2" = 1'-0"



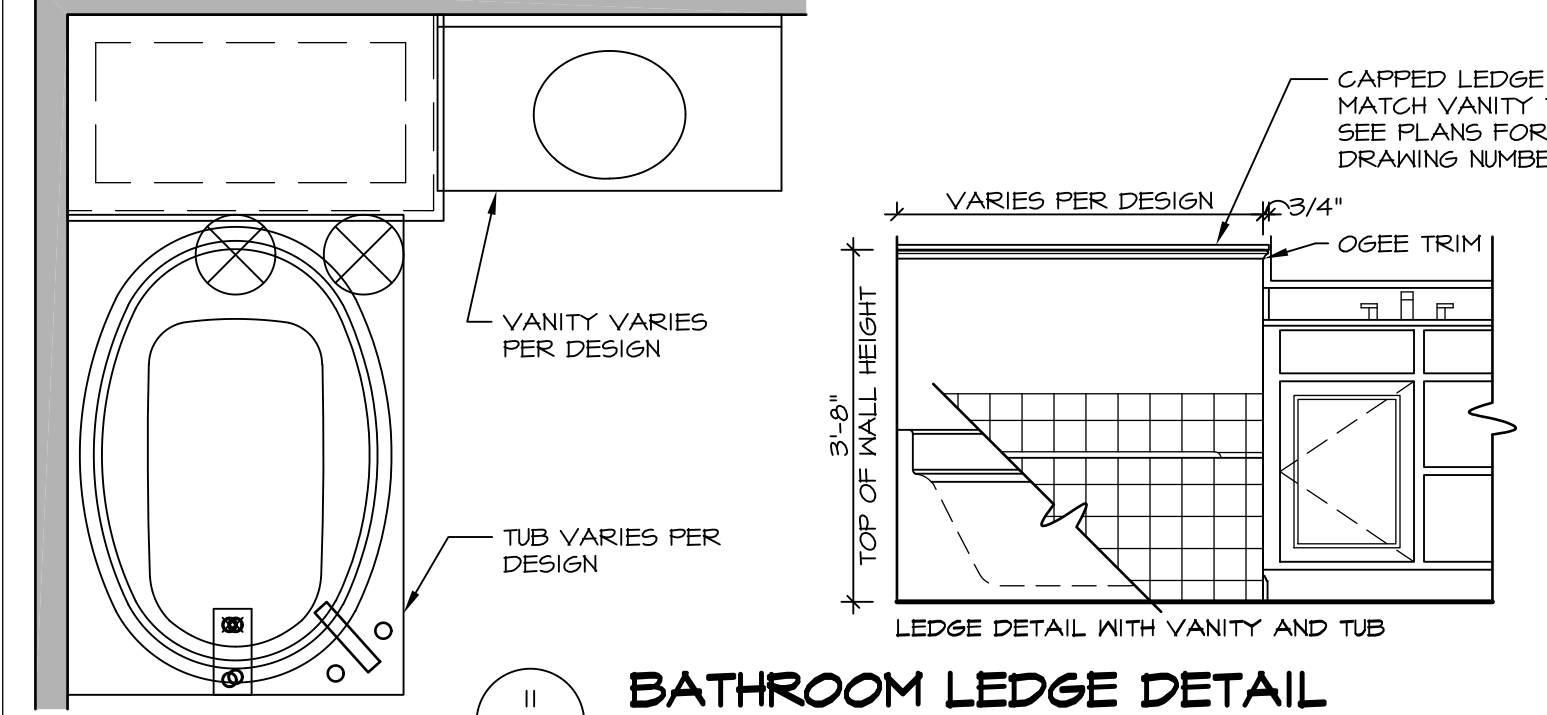
11 ALTERNATE SHOWER PAN DETAIL



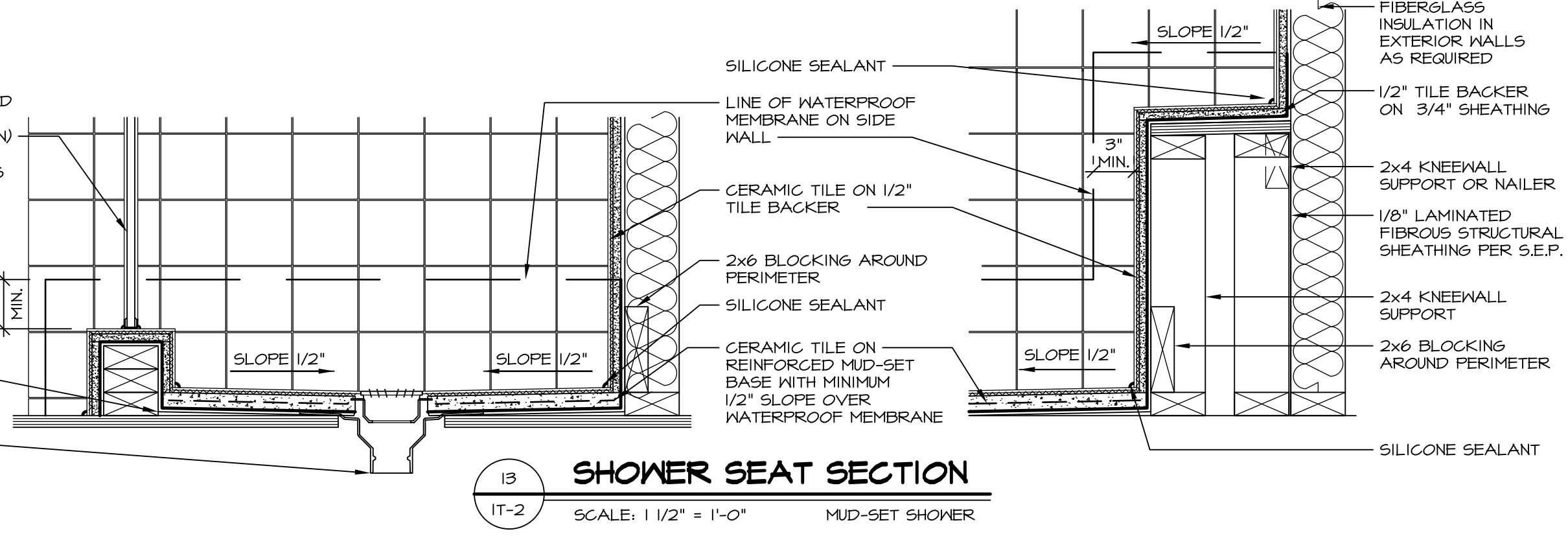
12 BATHROOM LEDGE DETAIL
SCALE: 1/2" = 1'-0"



13 SILL DETAIL
SCALE: 1" = 1'-0"



14 BATHROOM LEDGE DETAIL
SCALE: 1/2" = 1'-0"



15 SHOWER SEAT SECTION
SCALE: 1 1/2" = 1'-0" MUD-SET SHOWER

REVISIONS

REV. NO.	DATE	DESCRIPTION
1	5/1/17	EBP - REVISED DETAIL 1 AND 11 TO REMOVE TUB ACCESS PANEL REF. (095 #15 5414)
2	9/2/17	EBP - REVISED T-FLY NOTE TO CALL OUT LFS
3	9/2/17	EBP - REVISED NOTE ON DETAIL #1 - REVISED ORDER OF MATERIAL PARA#4934

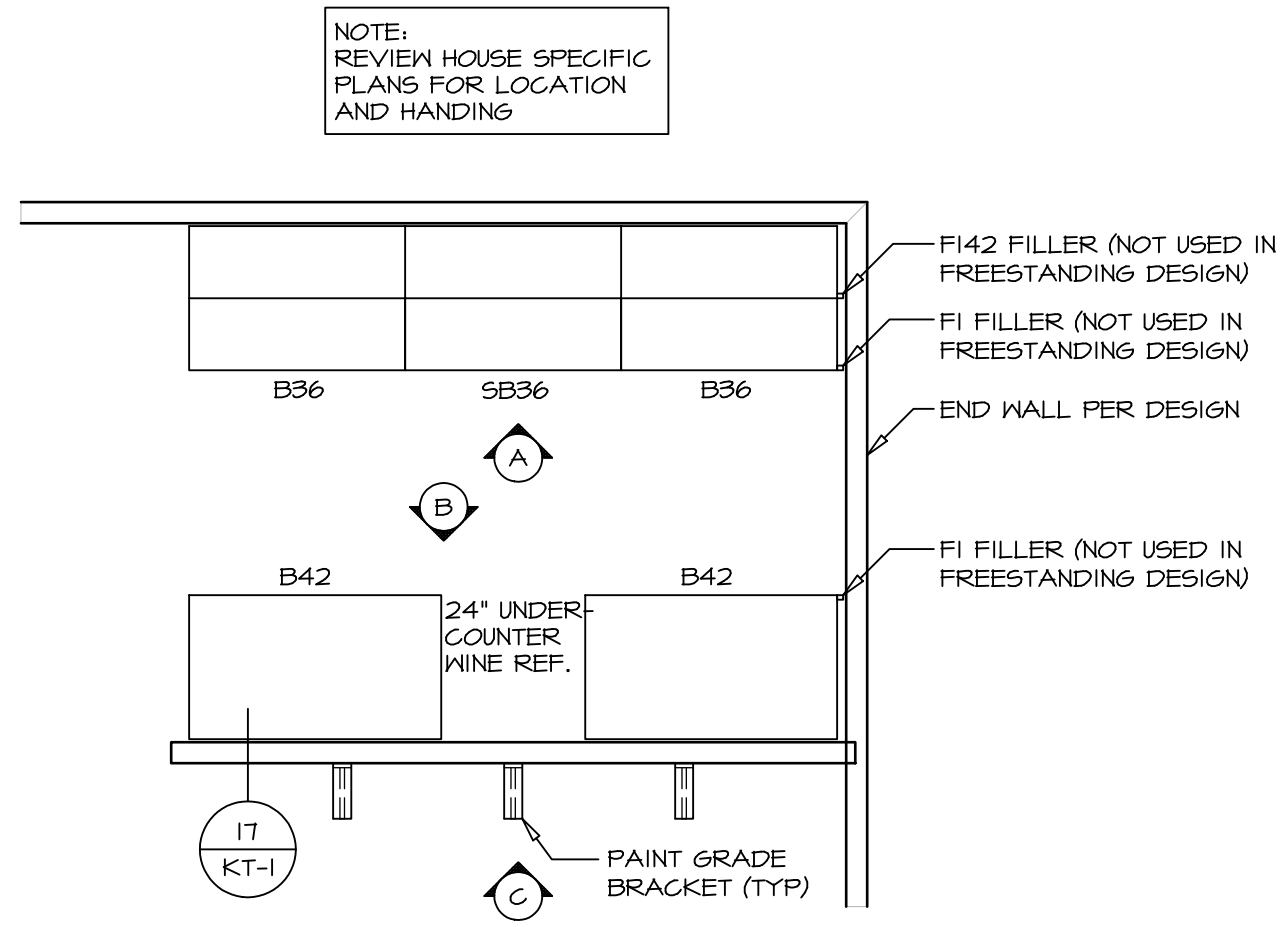
NVR, Inc., owner, expressly reserves its common law copyright and other property rights in these plans. These plans are not to be reproduced, stored in a retrieval system, or transmitted in any form or by any means, electronic, mechanical, photocopying, recording, or by any information storage and retrieval system, without the prior written consent of NVR, Inc.

NVR
NVR, Inc.
Architectural Services
5285 West Lakeshore Drive
Frederick, MD 21703

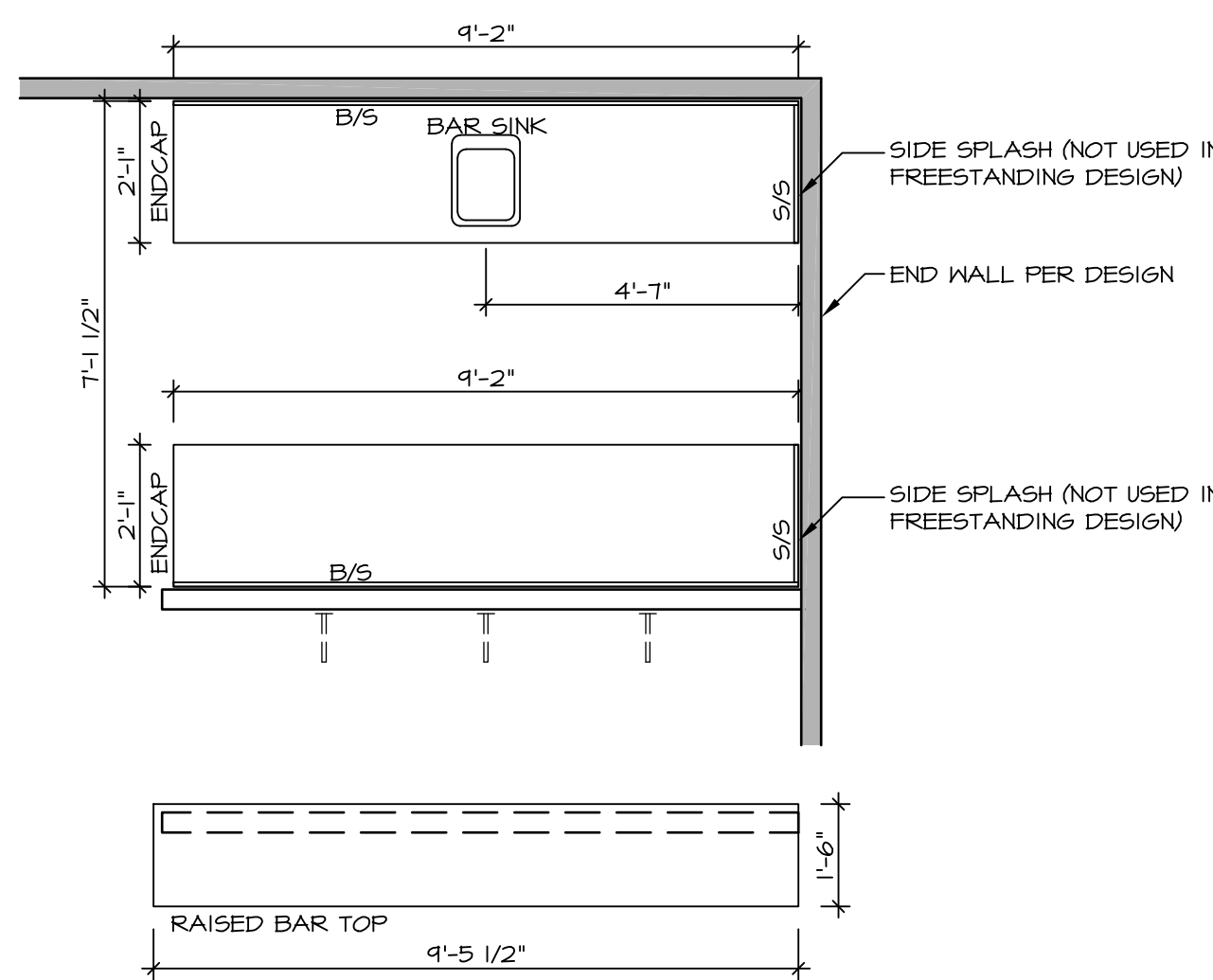
SET NO. NVR
VERSION
DRAWN BY
DATE:
OPTION

MODEL
STANDARD DETAILS
DRAWING TITLE
INTERIOR TRIM DETAILS
BATH DETAILS
OPTION DESCRIPTION

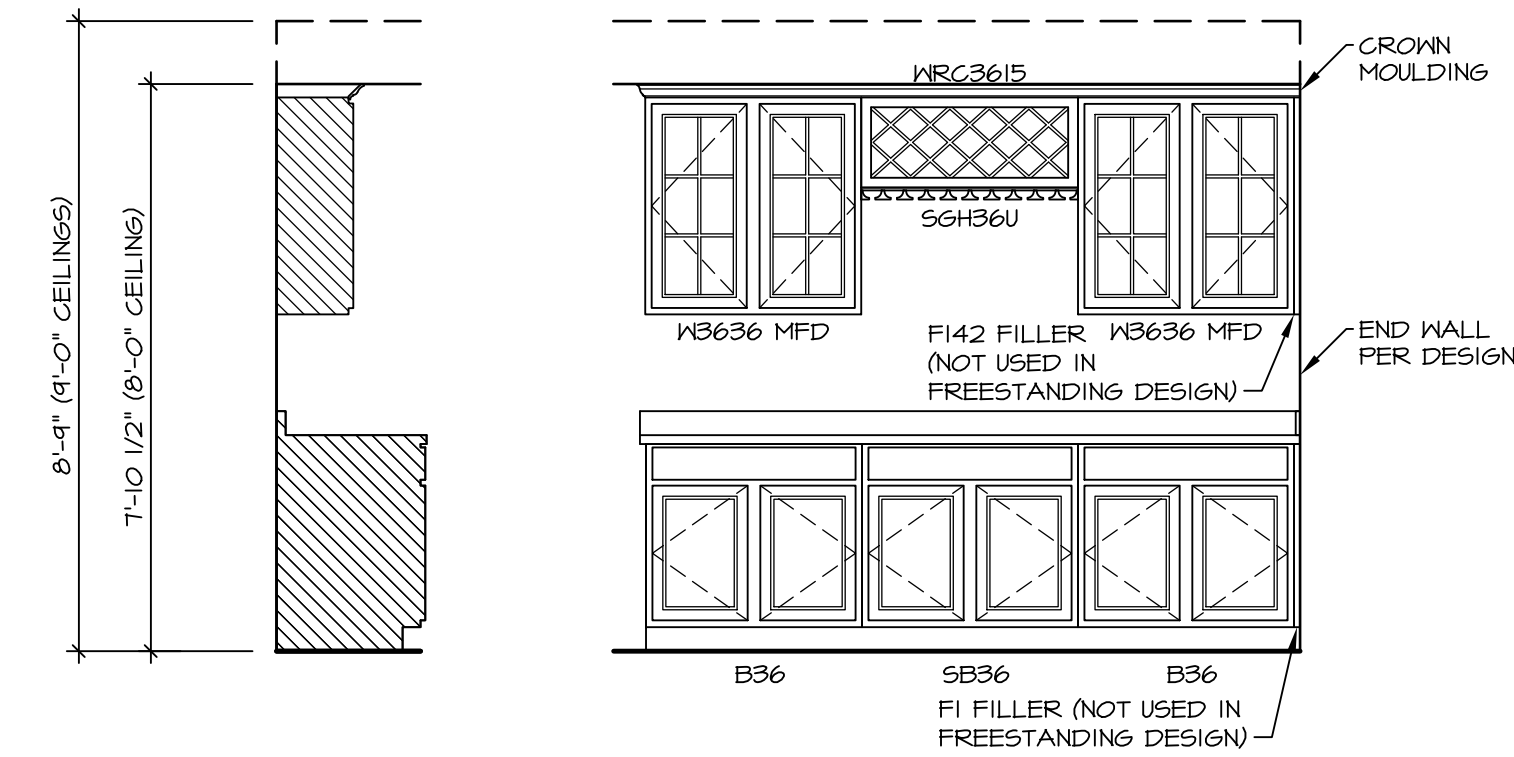
SHEET NO.
IT-2



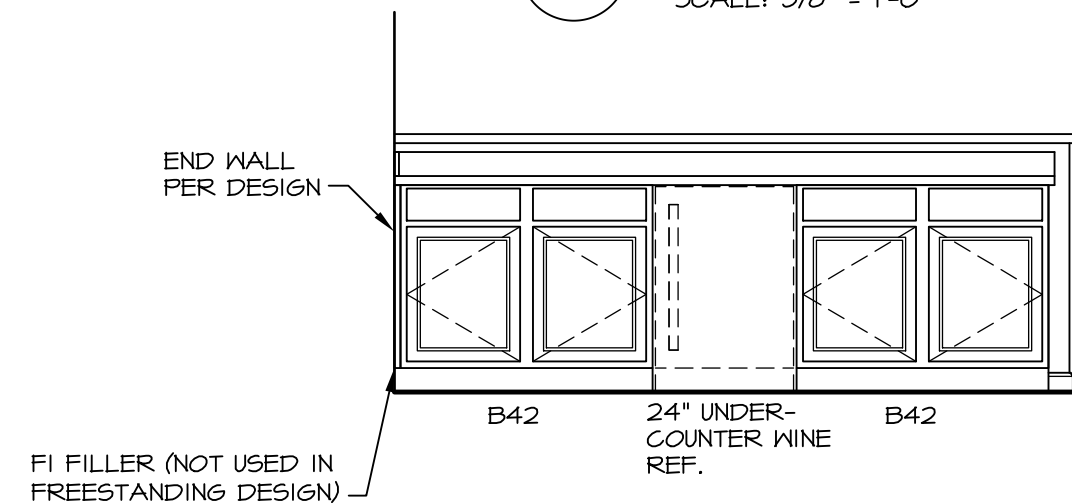
2
KITCHEN CABINET
PLAN KC - 1901
SCALE: 3/8" = 1'-0"



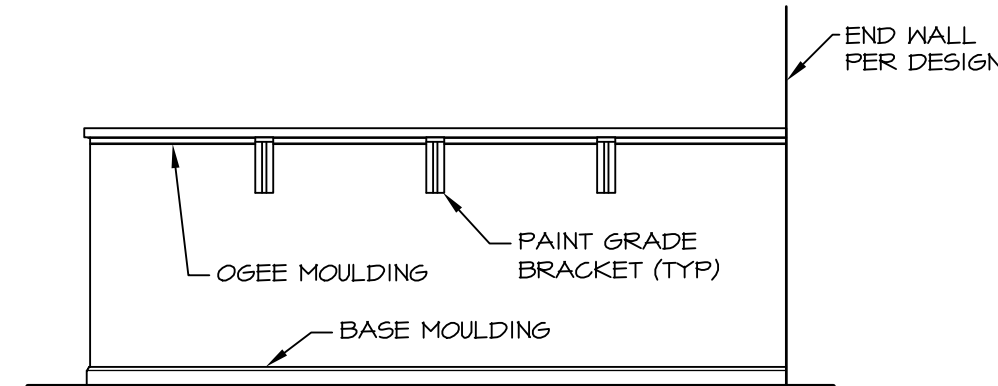
8
KITCHEN COUNTERTOP
PLAN KT - 1901
SCALE: 3/8" = 1'-0"



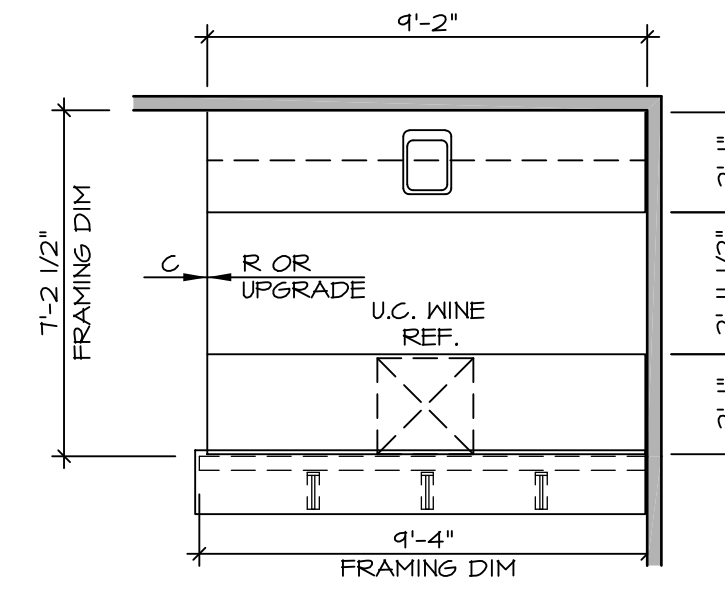
3
ELEVATION "A"
SCALE: 3/8" = 1'-0"



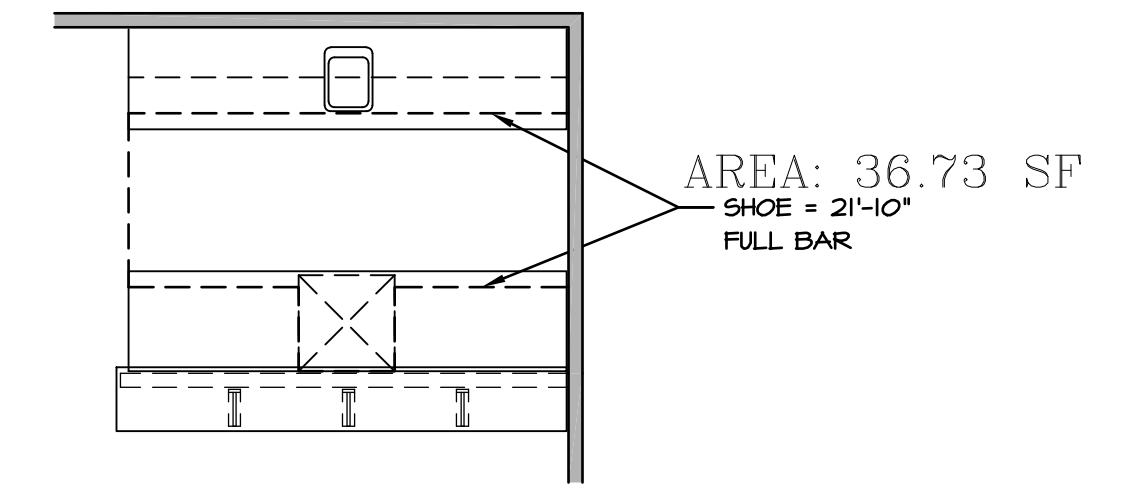
4
ELEVATION "B"
SCALE: 3/8" = 1'-0"



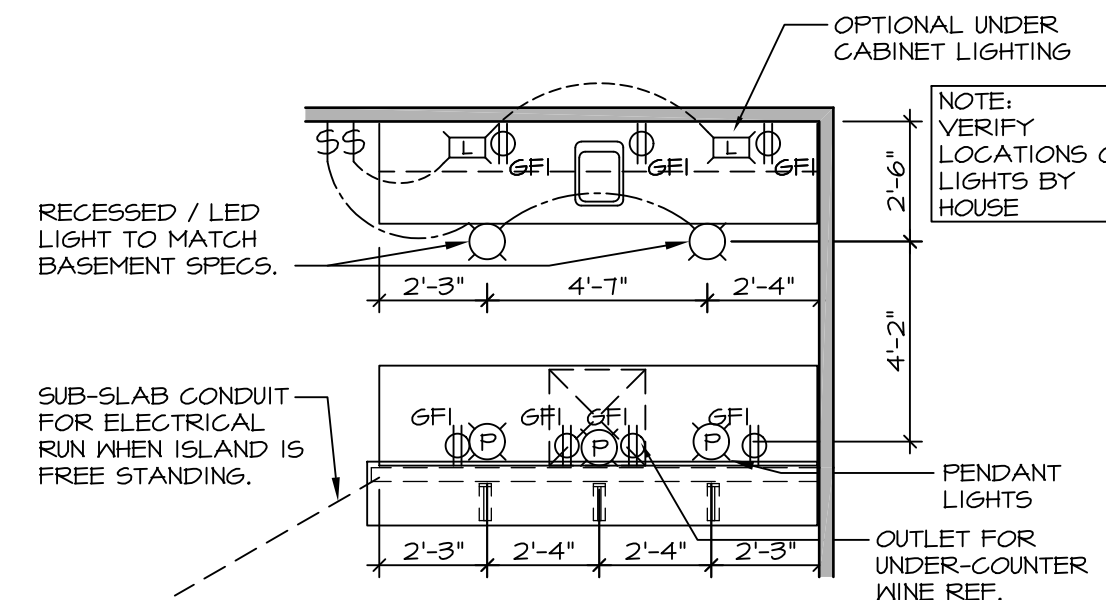
5
ELEVATION "C"
SCALE: 3/8" = 1'-0"



6
FLOOR PLAN
SCALE: 1/4" = 1'-0"



7
FLOORING PLAN
SCALE: 1/4" = 1'-0"



9
FLOOR PLAN ELECTRICAL LAYOUT
SCALE: 1/4" = 1'-0"

1
WET BAR DETAILS
SCALE: VARIES

SHEET NO.	MODEL	SET NO.	DATE	REV. NO.	DATE	REMARKS
IT-3	STANDARD DETAILS	NVR		1	5/17/17	56A - REVISED FLOOR PLAN DIMENSIONS TO MATCH COUNTERTOP DIMENSIONS
	INTERIOR TRIM DETAILS			2	5/23/17	56A - FIXED OVERLAPPING TEXT ON 3/17-18
	WET BAR DETAILS - FULL BAR (RYAN ONLY)			3	6/5/17	56A - REMOVED U.C. REF. AND TURNED OFF FLOORING SPACES
				4	9/14/17	EBP - ADDED NOTE TO RECESSED LIGHT / LED LIGHT IN NET BAR
				5	9/28/17	EBP - ADDED FRAMING DIMENSIONS FOR THE NET BAR WALL

NVR
NVR, Inc.
Architectural Services
5285 West... Suite 100
Frederick, MD 21703

SET NO. NVR	VERSION	DRAWN BY	DATE:	OPTION