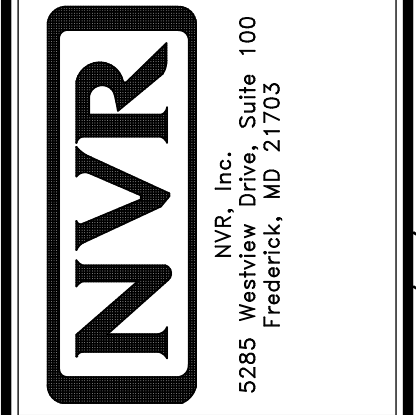


1
A-5 PLUMBING PLAN
SCALE: 1/4" = 1'-0"

NOTE
 RADON REMEDIATION
 RADON LOOP:
 - (4") PERFORATED HDPE "LOOP"
 - MUST BE PLACED IN STONE BED SLIGHTLY HIGHER THAN ANY INTERIOR DRAINTILE
 - LOOP TO BE SEPARATE FROM ANY DRAINTILE ELEMENTS
 - TO BE CORRUGATED HDPE PIPE
 - SCREWS TO BE INSTALLED THROUGH LOOP AT TEE UP INTO STACK
 STACK REQUIREMENTS:
 - 3" PVC STACK (4" IF BASEMENT IS GREATER THAN 2200 SQFT.)
 - NO PART OF STACK IS TO BE HORIZONTAL
 - PIPE TO BE PHYSICALLY LABELED IN THE FIELD AS "RADON VENT" OR OTHER JURISDICTIONALLY REQUIRED LANGUAGE (ON EVERY LEVEL OF HOUSE)
 - ROOF TERMINATION TO BE IN TOP 1/3 OF ROOF
 - SCREEN INSTALLED TO KEEP PESTS OUT OF RADON VENT AT ROOF TERMINATION

DIV-COMM-LOT-UNIT
DCY-V6-T536
 COMM-LOT
 VILLES OF WINDING CREEK WARR CO - T536
 STREET ADDRESS
 1172 WINDING RUN BOULEVARD
 CITY CENTERVILLE STATE OH ZIP 45459
 APT. NO. 0703

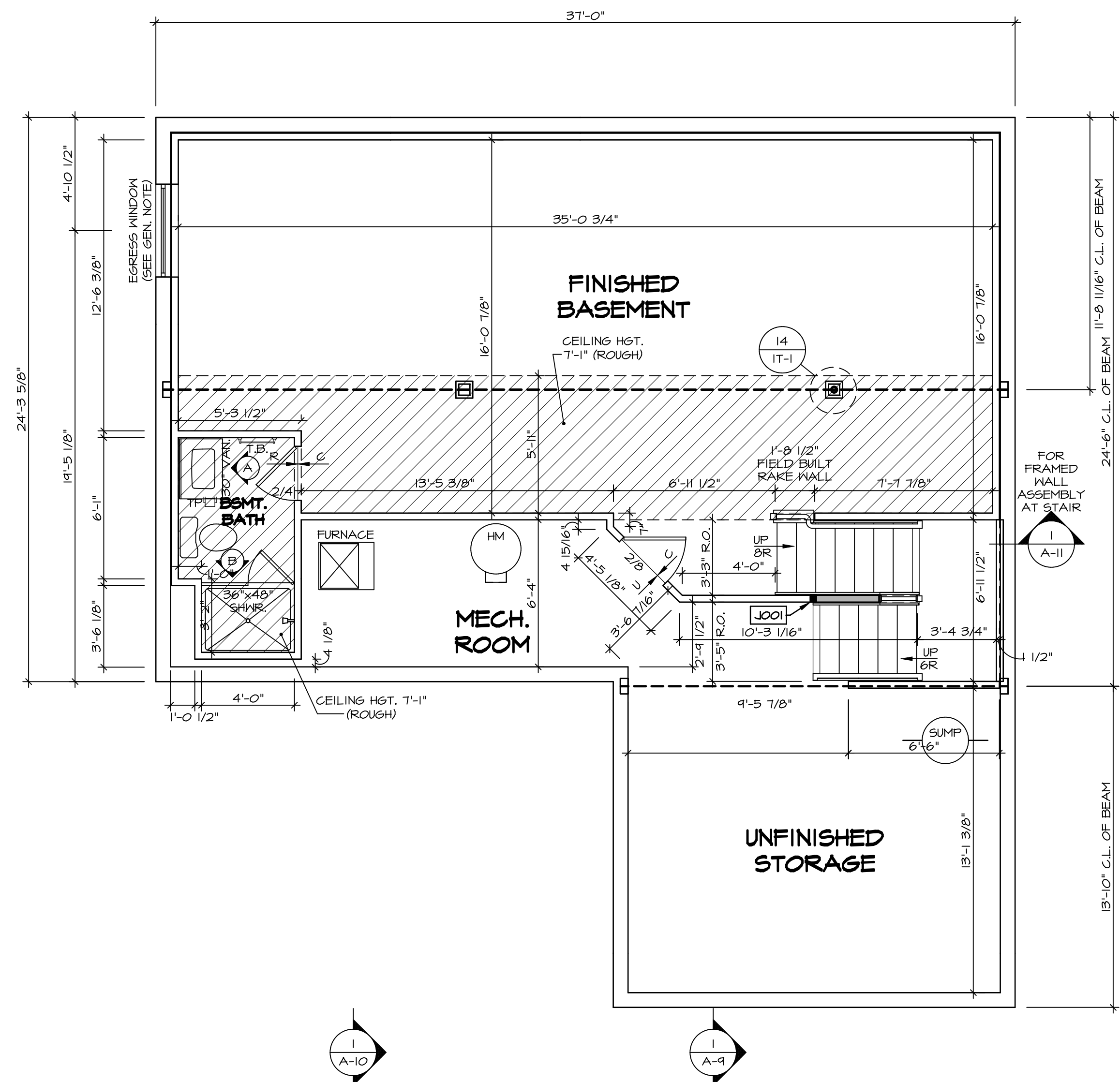
© NVR, Inc. expressly reserves the right to modify these plans without notice. No part of these plans may be reproduced, stored in a retrieval system, or transmitted in any form or by any means, electronic, mechanical, photocopying, recording, or by any information storage and retrieval system, without the prior written permission of NVR, Inc.



SET NO. CLM00
 VERSION 01
 DRAWN BY JAB
 DATE:
 OPTION

MODEL
COLUMBIA
 DRAWING TITLE
 PLUMBING PLAN
 GROUNDWORKS
 OPTION DESCRIPTION

SHEET NO.
A-5
23



BASEMENT FLOOR PLAN
SCALE: 1/4" = 1'-0"

LEGEND

- BEARING WALL
- NON BEARING WALL
- INDICATES BEARING FROM POINT-LOAD ABOVE
- JACKS
- BEAM/HEADER
- PAD FOOTING
- STEEL COLUMN
- PORTAL FRAME
- JOIST/TRUSS
- LVL
- ENGINEERING PAGE NUMBER

SEE FC DETAILS FOR FRAMING CONNECTORS

- FLOOR PLAN NOTES**
- ALL HEADERS ARE (2) 2x6 w/ 2x4 WALLS OR (3) 2x6 w/ 2x6 WALLS, UNLESS OTHERWISE NOTED.
 - ALL HEADERS TO HAVE (1) 2x4 OR 2x6 JACK AND KING STUD EACH END, UNLESS OTHERWISE NOTED.
 - ALL EXTERIOR WALLS TO BE 4" w/ OSB OR 3 1/2" w/ T-PLY, ALL INTERIOR WALLS TO BE 3 1/2", UNLESS OTHERWISE NOTED.
 - HATCHED AREAS INDICATE DROPPED CEILING. ALL DROPPED CEILING ARE 12" UNLESS OTHERWISE NOTED.
 - SEE "BRACED WALL PANEL DETAIL SHEET" FOR SPECIAL WALL FRAMING LOCATIONS AND HEADER SIZES, IF APPLICABLE.
 - SEE STANDARD DETAIL CATEGORY "IT" SHEET(S) FOR INTERIOR TRIM DETAILS.
 - SEE ARCHITECTURAL DETAIL SHEET "AD" FOR HOUSE SPECIFIC INTERIOR TRIM OPTION TABLE.
 - ALL WINDOWS HAVE 7'-0 1/2" HEADER HEIGHT UNLESS OTHERWISE NOTED.
 - ALL HEADERS IN NON-BEARING WALLS SHALL BE A SINGLE FLAT 2x4 OR 2x6 ATTACHED TO CRIPPLES ABOVE, UNLESS OTHERWISE NOTED.
 - TANKED WATER HEATER SHOWN AS BASE CONDITION. OPTIONAL TANKLESS WATER HEATER IS AVAILABLE IN LIEU OF TANKED WATER HEATER.

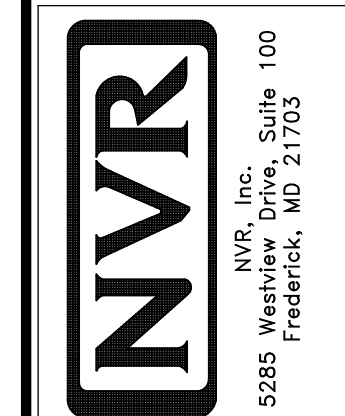
- GYPSUM NOTES**
- AT GARAGE:
GYPSUM BOARD AT COMMON WALLS, CEILING, BEAM WRAPS AND SUPPORTS PER STANDARD DETAIL FA-1(b) FIRE ASSEMBLIES OR AS REQUIRED BY LOCAL CODE.
- AT STAIRS:
1/2" GYPSUM BOARD AT UNDERSIDE OF STAIRS AND WALLS IN CLOSET

BASEMENT JACK SCHEDULE

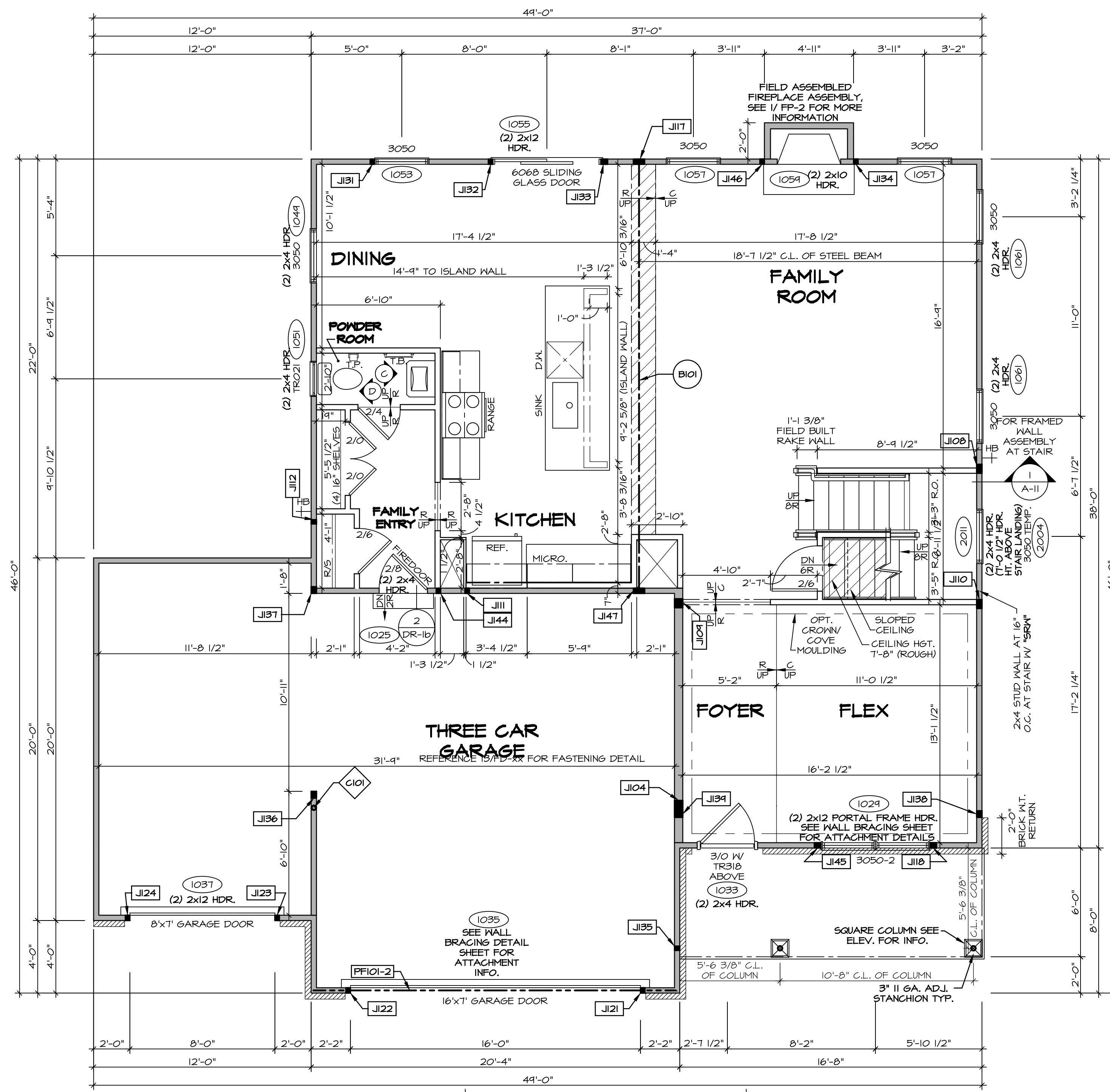
IDENTIFIER	DESCRIPTION	OPTIONS	ENG. NUM.	REMARKS
J001	JACK - (2) 2X4 SFF STUD GRADE	FBA	BO031	

DIV-COMM-LOT-UNIT
DCY-V6-T536
COMM-LOT
VILGES OF WINDING CREEK MARR CO - T536
STREET ADDRESS
1172 WINDING RUN BOULEVARD
CITY
CENTERVILLE
STATE
OH
ZIP
45459

© NVR, Inc. The owner expressly reserves the right to modify or amend these plans at any time without notice. These plans are not to be reproduced, changed or altered in any way without the written consent of NVR, Inc.



SHEET NO. A-6	MODEL COLUMBIA	SET NO. CLM00
	DRAWING TITLE BASEMENT FLOOR PLAN	VERSION 01
OPTION DESCRIPTION BASEMENT FOUNDATION	OPTION FBA	DATE:
	OPTION FBA	DRAWN BY CVB



FIRST FLOOR PLAN
SCALE: 1/4" = 1'-0"

LEGEND

- BEARING WALL
- NON BEARING WALL
- INDICATES BEARING FROM POINT-LOAD ABOVE
- JACKS
- BEAM/HEADER
- PAD FOOTING
- STEEL COLUMN
- PORTAL FRAME
- JOIST/TRUSS
- LVL
- ENGINEERING PAGE NUMBER

SEE FC DETAILS FOR FRAMING CONNECTORS

- FLOOR PLAN NOTES**
- ALL HEADERS ARE (2) 2x6 W/ 2x4 WALLS OR (3) 2x6 W/ 2x6 WALLS, UNLESS OTHERWISE NOTED.
 - ALL HEADERS TO HAVE (1) 2x4 OR 2x6 JACK AND KING STUD EACH END, UNLESS OTHERWISE NOTED.
 - ALL EXTERIOR WALLS TO BE 4" W/ OSB OR 3 1/2" W/ T-PLY, ALL INTERIOR WALLS TO BE 3 1/2", UNLESS OTHERWISE NOTED.
 - HATCHED AREAS INDICATE DROPPED CEILINGS. ALL DROPPED CEILINGS ARE 12" UNLESS OTHERWISE NOTED.
 - SEE "BRACED WALL PANEL DETAIL SHEET" FOR SPECIAL WALL FRAMING LOCATIONS AND HEADER SIZES, IF APPLICABLE.
 - SEE STANDARD DETAIL CATEGORY "IT" SHEET(S) FOR INTERIOR TRIM DETAILS.
 - SEE ARCHITECTURAL DETAIL SHEET "AD" FOR HOUSE SPECIFIC INTERIOR TRIM OPTION TABLE.
 - ALL WINDOWS HAVE T-O 1/2" HEADER HEIGHT UNLESS OTHERWISE NOTED.
 - ALL HEADERS IN NON-BEARING WALLS SHALL BE A SINGLE FLAT 2x4 OR 2x6 ATTACHED TO CRIPPLES ABOVE, UNLESS OTHERWISE NOTED.
 - TANKED WATER HEATER SHOWN AS BASE CONDITION, OPTIONAL TANKLESS WATER HEATER IS AVAILABLE IN LIEU OF TANKED WATER HEATER.

- GYPSUM NOTES**
- AT GARAGE:
GYPSUM BOARD AT COMMON WALLS, CEILINGS, BEAM WRAPS AND SUPPORTS PER STANDARD DETAIL FA-1(b) FIRE ASSEMBLIES OR AS REQUIRED BY LOCAL CODE.
- AT STAIRS:
1/2" GYPSUM BOARD AT UNDERSIDE OF STAIRS AND WALLS IN CLOSET

NOTE:
EXTERIOR WALLS DRAWN TO FRAMING WIDTH, EXTERIOR SHEATHING IS NOT INCLUDED IN WALL THICKNESS.

- LVL PLY TO PLY FASTENING SCHEDULE:** (WHERE APPLICABLE BASED ON LVL USAGE)
- (2) PLY UP TO AND INCLUDING 11 7/8" TALL; FASTEN PLYS W/ (2) ROWS 16D NAILS AT 12" O.C. OR ALT 1 1/2" WIDE LVL FASTEN PLYS W/ (3) ROWS 12D NAILS AT 12" O.C.
 - (2) PLY 14" TO AND 18" TALL (INCLUSIVE); FASTEN PLYS W/ (3) ROWS 16D NAILS AT 12" O.C. OR ALT 1 1/2" WIDE LVL FASTEN PLYS W/ (4) ROWS 12D NAILS AT 12" O.C.
 - (2) PLY 20" TALL AND OVER; FASTEN PLYS W/ (4) ROWS 16D NAILS AT 12" O.C. OR ALT 1 1/2" WIDE LVL FASTEN PLYS W/ (5) ROWS 12D NAILS AT 12" O.C.
 - (3) PLY UP TO AND INCLUDING 11 7/8" TALL; FASTEN PLYS W/ (2) ROWS 16D NAILS AT 12" O.C. FROM EACH SIDE OR ALT 1 1/2" WIDE LVL FASTEN PLYS W/ (3) ROWS 12D NAILS AT 12" O.C. FROM EACH SIDE.
 - (3) PLY 14" TO AND 18" TALL (INCLUSIVE); FASTEN PLYS W/ (3) ROWS 16D NAILS AT 12" O.C. FROM EACH SIDE OR ALT 1 1/2" WIDE LVL FASTEN PLYS W/ (4) ROWS 12D NAILS AT 12" O.C. FROM EACH SIDE.
 - (3) PLY 20" TALL AND OVER; FASTEN PLYS W/ (4) ROWS 16D NAILS AT 12" O.C. FROM EACH SIDE OR ALT 1 1/2" WIDE LVL FASTEN PLYS W/ (5) ROWS 12D NAILS AT 12" O.C. FROM EACH SIDE.
 - (4) PLY (ALL SIZES); FASTEN PLYS W/ (2) ROWS 1/2" DIAMETER A307 BOLTS AT 24" O.C. SEE SHOP DRAWING FOR ADDITIONAL INFORMATION.

FIELD INSTALLED FIRST FLOOR BEAM/HEADER SCHEDULE

IDENTIFIER	DESCRIPTION	LENGTH	OPTIONS	ENG. NUM.	REMARKS
B101	BEAM STEEL - W12X30	23'-10 3/4"	6CB/6CF	1023	
PF101-2	LVL 1.75 - 11-04	20'-1"	6CB/6CF	1035	

STEEL COLUMN SCHEDULE

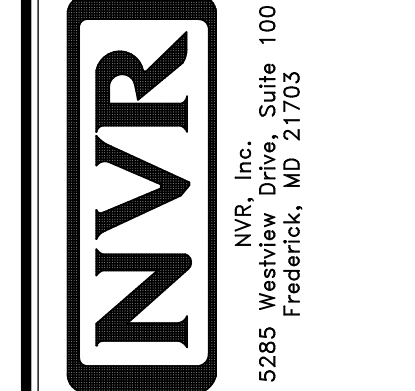
IDENTIFIER	STYLE	HEIGHT	OPTIONS	ENG. NUM.	REMARKS
C101	STANCHION - 3 IN SCHED 40	9'-6"	6CB/6CF, ELA/ELB/ELK/ELL, SXC, FBA/FCA	1006	

FIRST FLOOR JACK SCHEDULE

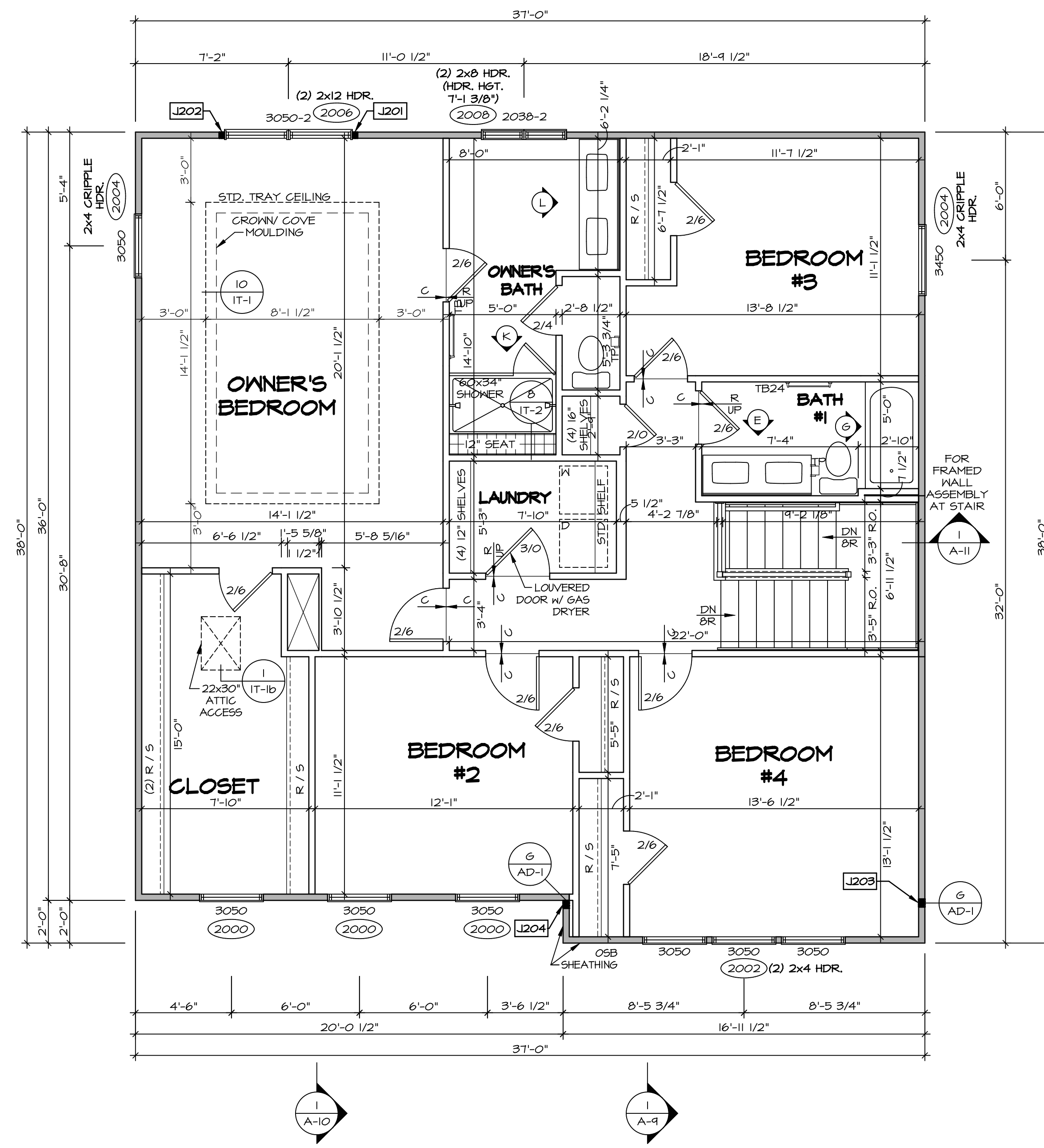
IDENTIFIER	DESCRIPTION	OPTIONS	ENG. NUM.	REMARKS
J104	JACK - (3) 2X6 SPF STUD GRADE	SXC, ELB/ ELL	1006	
J108	JACK - (4) 2X4 SPF STUD GRADE		1014	
J109	JACK - (4) 2X6 SPF STUD GRADE		1016	
J110	JACK - (4) 2X4 SPF STUD GRADE		1016	
J111	JACK - (2) 2X4 SPF STUD GRADE		1018	
J112	JACK - (2) 2X4 SPF STUD GRADE		1020	
J117	JACK - (3) 2X4 SPF#1		1023	
J118	JACK - (3) 2X4 SPF STUD GRADE		1021	
J121	JACK - (2) 2X4 SPF STUD GRADE	6CB/6CF	1035	
J122	JACK - (2) 2X4 SPF STUD GRADE	6CB/6CF	1035	
J123	JACK - (2) 2X4 SPF STUD GRADE	6CF	1031	
J124	JACK - (2) 2X4 SPF STUD GRADE	6CF	1031	
J131	JACK - (2) 2X4 SPF STUD GRADE		1053	
J132	JACK - (2) 2X4 SPF STUD GRADE		1055	
J133	JACK - (3) 2X4 SPF STUD GRADE		1055	
J134	JACK - (2) 2X4 SPF STUD GRADE	LGF	1054	
J135	JACK - (2) 2X4 SPF STUD GRADE		1063	
J136	JACK - (3) 2X4 SPF STUD GRADE	6CF, ELA/ ELB/ ELK/ ELL	1065	
J137	JACK - (3) 2X4 SPF#1	6CF, ELC	1065	
J138	JACK - (3) 2X4 SPF#1	ELB/ ELL	2010	
J139	JACK - (3) 2X6 SPF STUD GRADE	ELB/ ELL	2010	
J144	JACK - (2) 2X4 SPF STUD GRADE		1018	
J145	JACK - (3) 2X4 SPF STUD GRADE		1021	
J146	JACK - (2) 2X4 SPF STUD GRADE	LGF	1054	
J147	JACK - (3) 2X4 SPF#1		1023	

DCY-V6-T536
 VLGES OF WINDING CREEK MARR CO - T536
 APT. NO. 0403
 1172 WINDING RUN BOULEVARD
 CITY STATE OH ZIP 45456

NVR, Inc. expressly reserves the right to modify these plans without notice. These plans are not to be reproduced, changed or altered in any way without the written consent of NVR, Inc.



MODEL: COLUMBIA
 DRAWING TITLE: FIRST FLOOR PLAN
 SHEET NO. A-7
 SET NO. CLM00
 VERSION 01
 DRAWN BY: ARY
 DATE:
 OPTION



SECOND FLOOR PLAN
SCALE: 1/4" = 1'-0"

LEGEND

- BEARING WALL
- - - NON BEARING WALL
- ⊗ INDICATES BEARING FROM POINT-LOAD ABOVE
- J JACKS
- B BEAM/HEADER
- F PAD FOOTING
- C STEEL COLUMN
- X PORTAL FRAME
- X JOIST/TRUSS
- L LVL
- (X) ENGINEERING PAGE NUMBER

SEE FC DETAILS FOR FRAMING CONNECTORS

NOTE:
EXTERIOR WALLS DRAWN TO FRAMING WIDTH, EXTERIOR SHEATHING IS NOT INCLUDED IN WALL THICKNESS.

- FLOOR PLAN NOTES**
- ALL HEADERS ARE (2) 2x6 w/ 2x4 WALLS OR (3) 2x6 w/ 2x6 WALLS, UNLESS OTHERWISE NOTED.
 - ALL HEADERS TO HAVE (1) 2x4 OR 2x6 JACK AND KING STUD EACH END, UNLESS OTHERWISE NOTED.
 - ALL EXTERIOR WALLS TO BE 4" w/ OSB OR 3 1/2" w/ T-PLY, ALL INTERIOR WALLS TO BE 3 1/2", UNLESS OTHERWISE NOTED.
 - HATCHED AREAS INDICATE DROPPED CEILING. ALL DROPPED CEILING ARE 12" UNLESS OTHERWISE NOTED. SEE "BRACED WALL PANEL DETAIL SHEET" FOR SPECIAL WALL FRAMING LOCATIONS AND HEADER SIZES, IF APPLICABLE.
 - SEE STANDARD DETAIL CATEGORY "IT" SHEET(S) FOR INTERIOR TRIM DETAILS.
 - SEE ARCHITECTURAL DETAIL SHEET "AD" FOR HOUSE SPECIFIC INTERIOR TRIM OPTION TABLE.
 - ALL WINDOWS HAVE 7'-0 1/2" HEADER HEIGHT UNLESS OTHERWISE NOTED.
 - ALL HEADERS IN NON-BEARING WALLS SHALL BE A SINGLE FLAT 2x4 OR 2x6 ATTACHED TO CRIPPLES ABOVE, UNLESS OTHERWISE NOTED.
 - TANKED WATER HEATER SHOWN AS BASE CONDITION. OPTIONAL TANKLESS WATER HEATER IS AVAILABLE IN LIEU OF TANKED WATER HEATER.

GYPSON NOTES

AT GARAGE:
GYPSUM BOARD AT COMMON WALLS, CEILING, BEAM WRAPS AND SUPPORTS PER STANDARD DETAIL FA-(b) FIRE ASSEMBLIES OR AS REQUIRED BY LOCAL CODE.

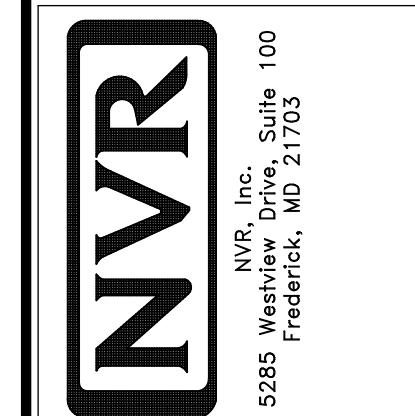
AT STAIRS:
1/2" GYPSUM BOARD AT UNDERSIDE OF STAIRS AND WALLS IN CLOSET

SECOND FLOOR JACK SCHEDULE

IDENTIFIER	DESCRIPTION	OPTIONS	ENG. NUM.	REMARKS
J201	JACK - (2) 2x4 SPF STUD GRADE		2006	
J202	JACK - (2) 2x4 SPF STUD GRADE		2006	
J203	JACK - (3) 2x4 SP#1	ELB/ ELL	2010	1/8"x3 1/2"x4 1/2" STEEL BEARING PLATE, EXTEND THRU TOP PLATE
J204	JACK - (3) 2x4 SP#1	ELB/ ELL	2010	1/8"x3 1/2"x4 1/2" STEEL BEARING PLATE, EXTEND THRU TOP PLATE

DIV-COMM-LOT-UNIT
DCY-V6-T536
COMM-LOT
VILGES OF WINDING CREEK MARR CO - T536
STREET ADDRESS
1172 WINDING RUN BOULEVARD
CITY
CENTERVILLE
STATE
OH
ZIP
45459

© NVR, Inc. expressly reserves the right to modify or amend these plans at any time without notice. These plans are not to be reproduced, changed or altered in any way without the written consent of NVR, Inc.

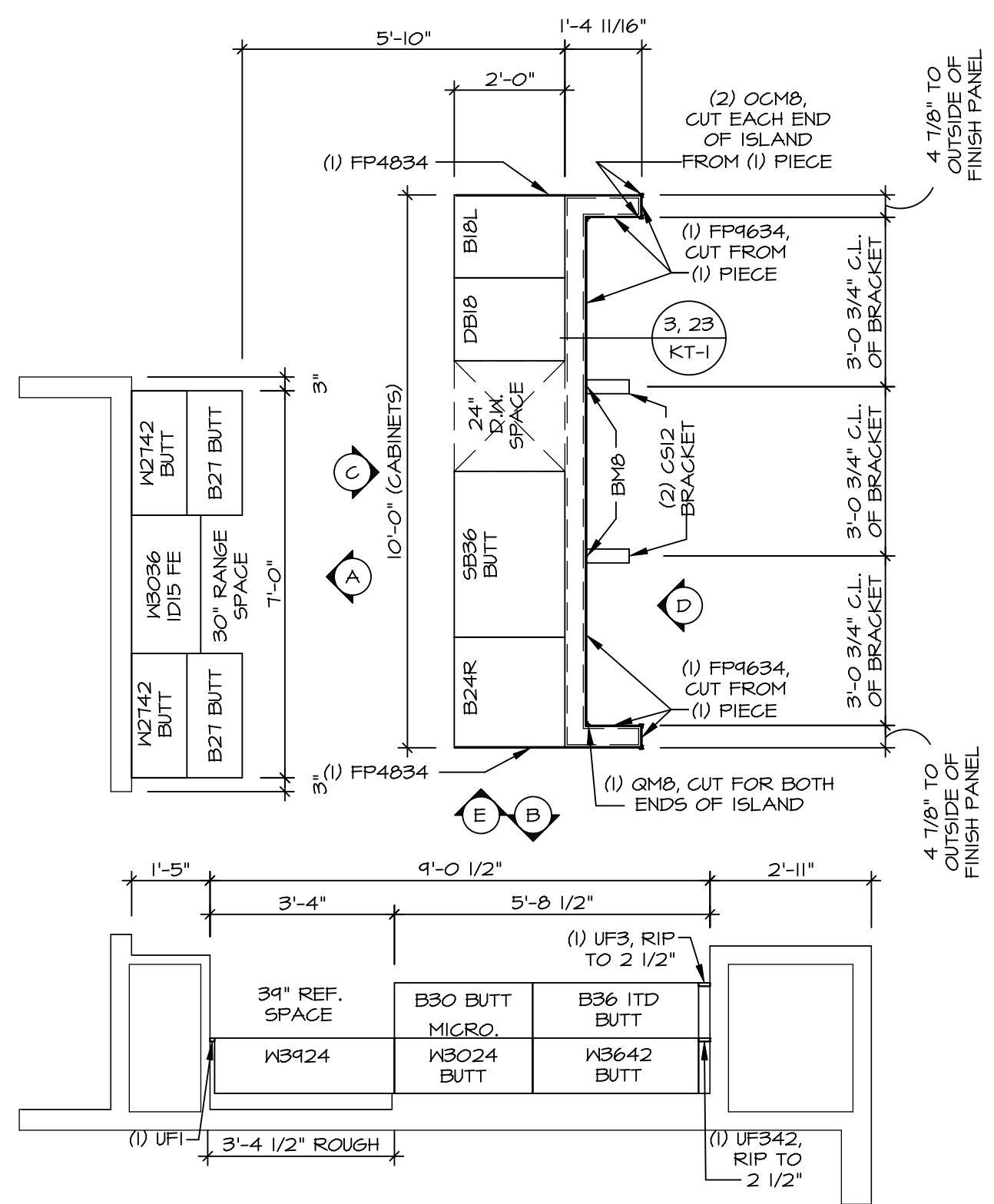


SHEET NO.
A-8
MODEL
COLUMBIA
DRAWING TITLE
SECOND FLOOR PLAN
OPTION DESCRIPTION
31

SET NO. CLM00
VERSION 01
DRAWN BY ARY
DATE:
OPTION

C:\NVR\Solves\COLUMBIA_CLM00_01\DCY-V6-T536\1769900\Sheets\Lot_Specific\31_A-8_FLN2_LS.dwg 03/31/20 - 2:35 am

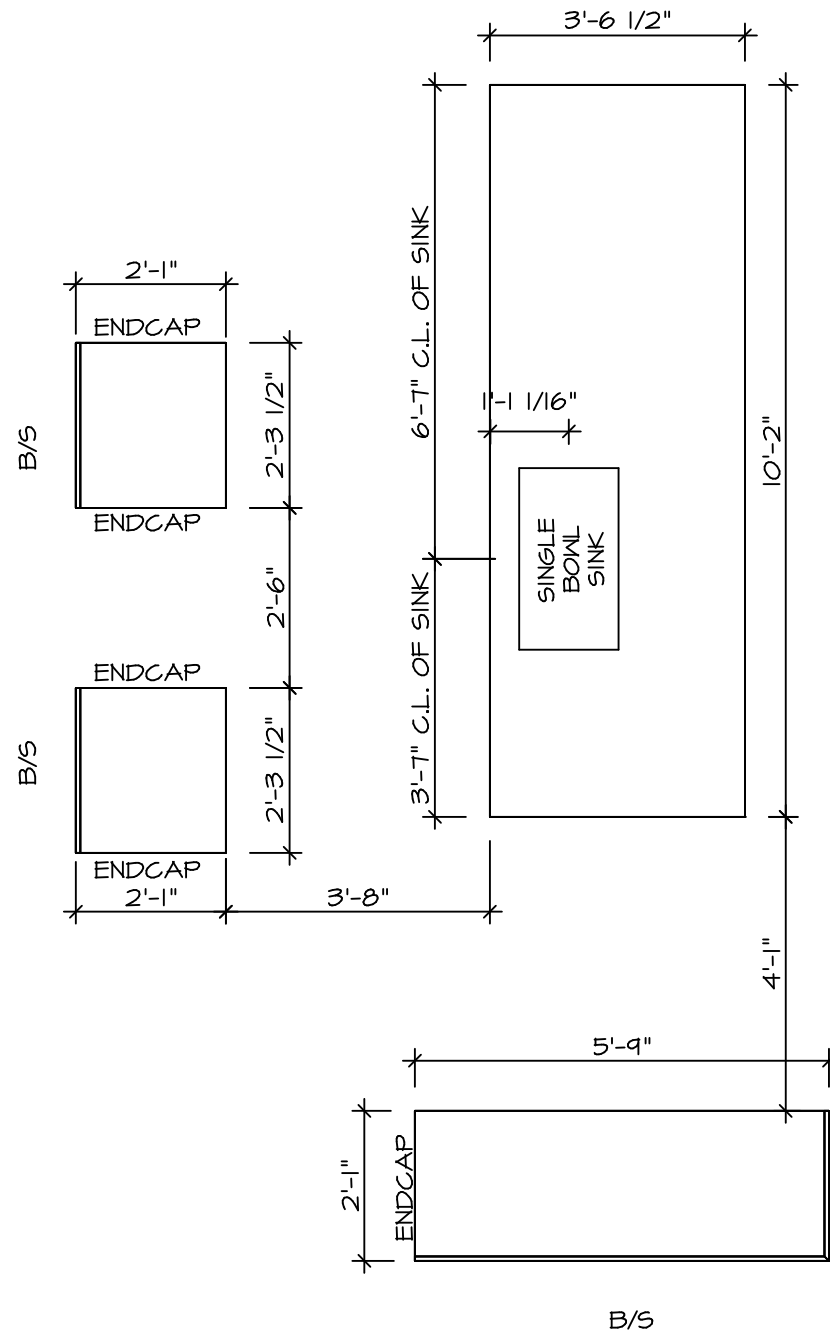
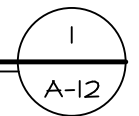
- NOTES:**
- CABINET LAYOUT (S) ARE BASED ON FINISHED DIMENSIONS TO DRYWALL.
 - IF KITCHEN PLANS/ELEVATIONS CALL-OUT STANDARD MOLDING, REFER TO STANDARD DETAIL (KKT-1) FOR REPLACEMENT BASED ON CABINET STYLE.
 - ALL (UF#) FILLERS ARE TO BE "TRIM TO FIT" UNLESS OTHERWISE NOTED.
 - CABINET MUST BE SET, SHIMMED, LEVELED AND PLUMB W/ ADJOINING BASE CABINETS.
 - SET PRE-FINISHED SCRIBE MOLDING AT CABINET BULKHEADS AND AT ENDS (WHERE CABINETS MEET DRYWALL.) PRE-FINISHED SCRIBE MOLDING SHALL BE USED TO PAD OUT CABINET SIDES AT STILE FOR RETURN PIECES OF THE FACE-MOUNTED CABINET CROWN MOLDING.
 - HARDWARE INSTALL NOTE: KNOBS GO ON DOORS AND DRAWERS FOR ALL AREAS. ALL DRAWER FRONTS AND DOORS GET (1) KNOB/FULL. NO HARDWARE ON FALSE DRAWER FRONTS.



KITCHEN CABINET LAYOUT KC-3521

APPLIANCE LAYOUT W/ RANGE "KAA"

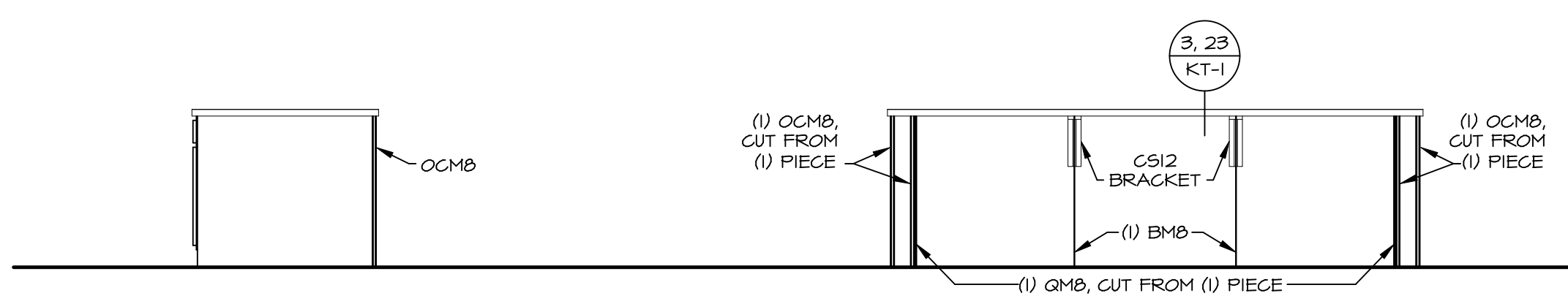
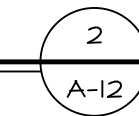
SCALE: 3/8" = 1'-0"



KITCHEN COUNTERTOP LAYOUT KC-3521

APPLIANCE LAYOUT W/ RANGE "KAA"

SCALE: 3/8" = 1'-0"

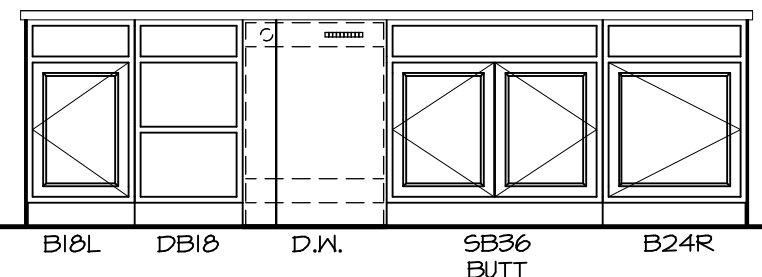


CABINET ELEVATION E

SCALE: 3/8" = 1'-0"

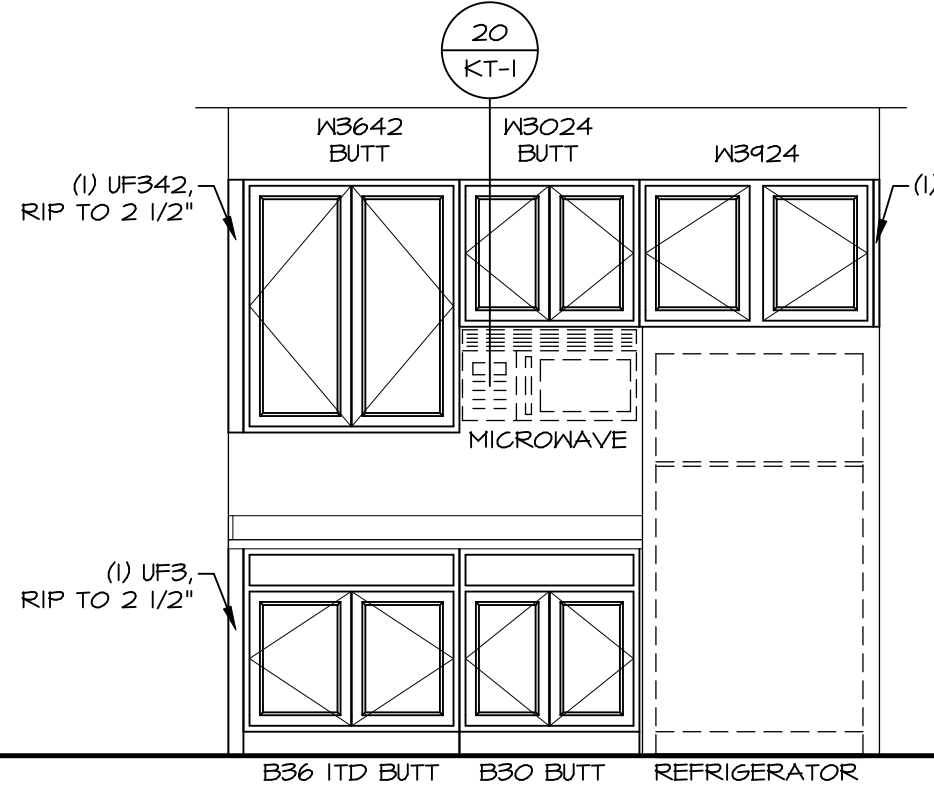
CABINET ELEVATION D

SCALE: 3/8" = 1'-0"



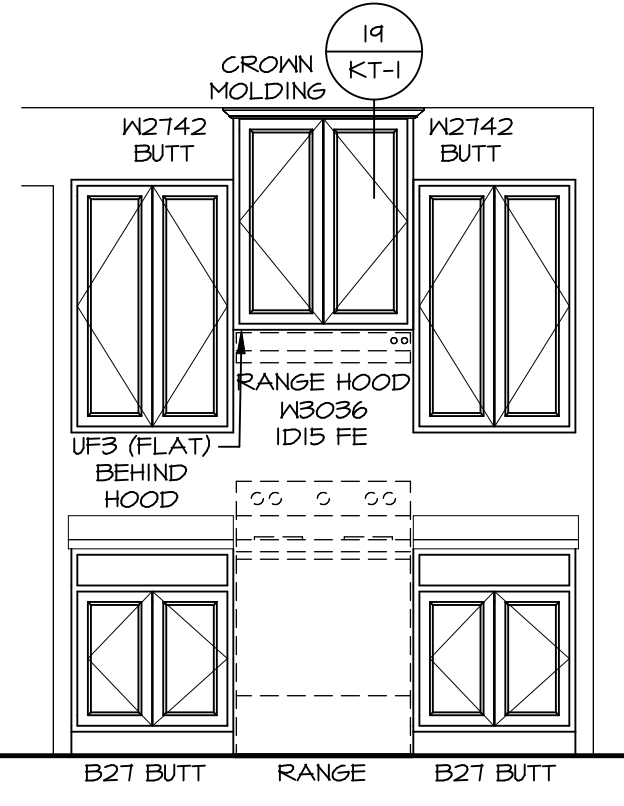
CABINET ELEVATION C

SCALE: 3/8" = 1'-0"



CABINET ELEVATION B

SCALE: 3/8" = 1'-0"

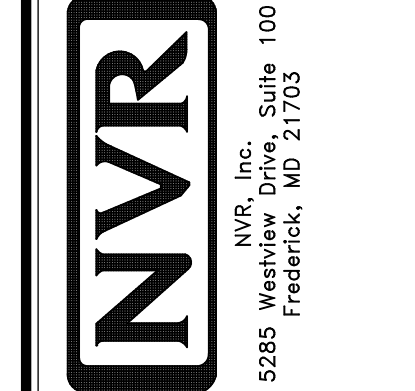


CABINET ELEVATION A

SCALE: 3/8" = 1'-0"

BIV-COMM-LOT-UNIT
DCY-VG-T536
 COMM-LOT
 VLGES OF WINDING CREEK WARR CO - T536
 STREET ADDRESS
 1172 WINDING RUN BOULEVARD
 CITY STATE OH ZIP
 CENTERVILLE OH 45459

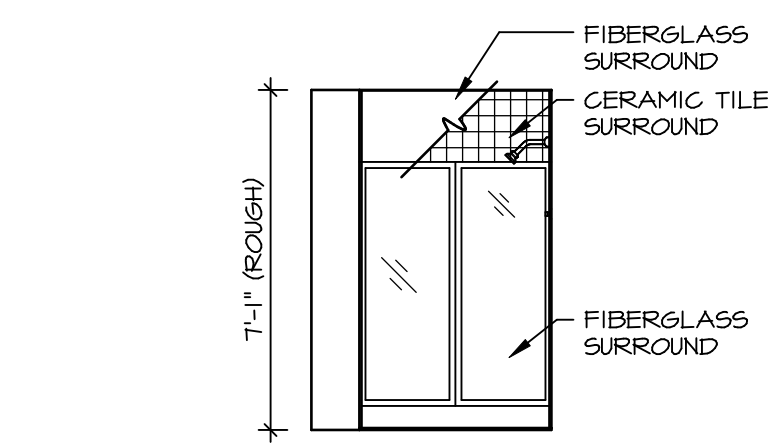
© NVR, Inc. expressly reserves the right to modify the information contained in these plans. These plans are not to be reproduced, changed or altered in any way without the written consent of NVR, Inc.



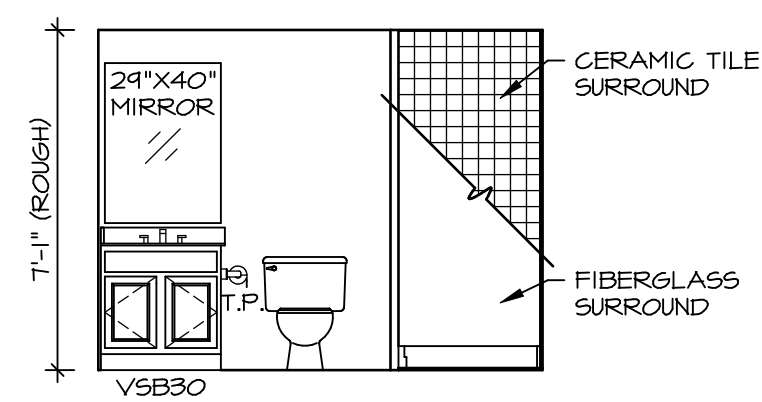
SHEET NO. A-12	MODEL COLUMBIA	SET NO. CLM00	VERSION 01
	DRAWING TITLE KITCHEN PLAN AND ELEVATION	DRAWN BY ARM	DATE:
44	OPTION DESCRIPTION	OPTION	

NOTES:

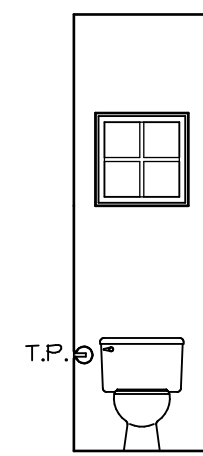
1. TEMPERED GLASS SHOWER ENCLOSURE WITH SLIDING DOOR OR OPTIONAL SLIDING DOOR BY DIVISION
2. TUB ACCESS PANELS PROVIDED AS NEEDED, ALL MATERIALS BY DIVISION
3. REFER TO SHEET D-XX FOR TUB AND SHOWER DETAILS.
4. ALL V5DB24-42 DRAWERS TO BE SET ON RIGHT HAND.
5. ALL BATH ELEVATIONS ARE SHOWN PER PLAN.



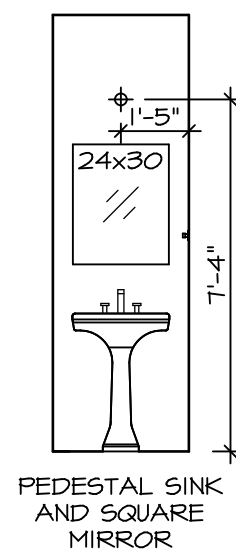
B BASEMENT BATH
SCALE: 1/4" = 1'-0" BASEMENT BATH "AEB"



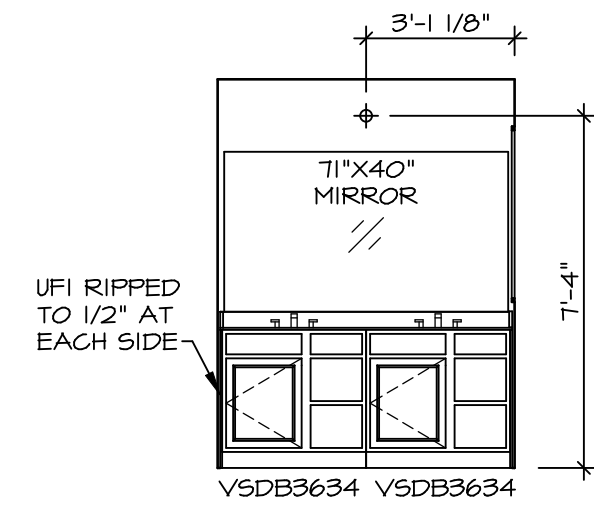
A BASEMENT BATH
SCALE: 1/4" = 1'-0" BASEMENT BATH "AEB"



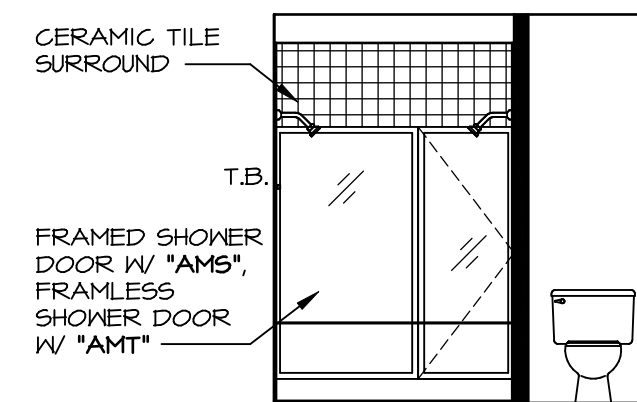
D POWDER ROOM
SCALE: 1/4" = 1'-0"



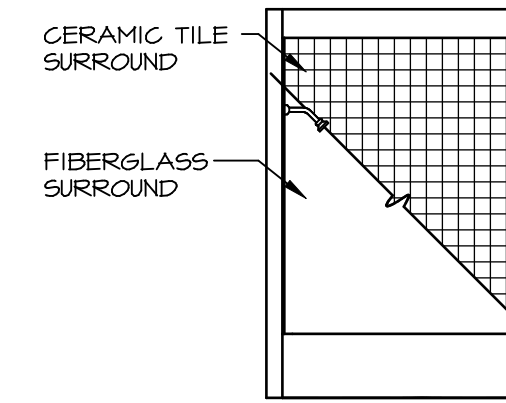
C POWDER ROOM
SCALE: 1/4" = 1'-0"



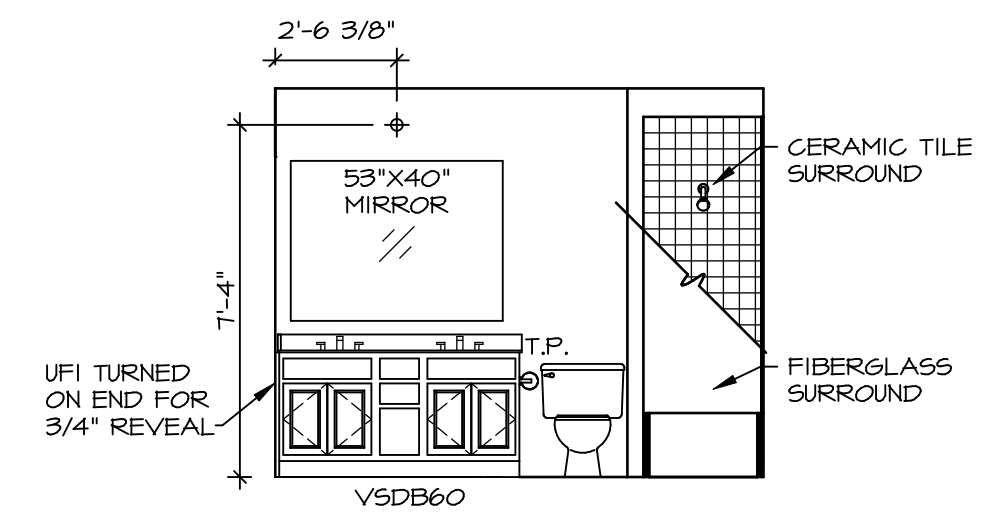
L OWNER'S BATH
SCALE: 1/4" = 1'-0" OWNER'S BATHROOM W/ ROMAN SHOWER "AM6"



K OWNER'S BATH
SCALE: 1/4" = 1'-0" OWNER'S BATHROOM W/ ROMAN SHOWER "AM6"

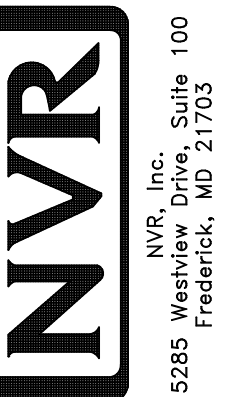


G BATH #1
SCALE: 1/4" = 1'-0"



E BATH #1
SCALE: 1/4" = 1'-0" DOUBLE BOWL VANITY "VVD"

© NVR, Inc. expressly reserves the right to modify or change any of the information contained in these plans. These plans are not to be reproduced, changed or copied in any way without the written consent of NVR, Inc.

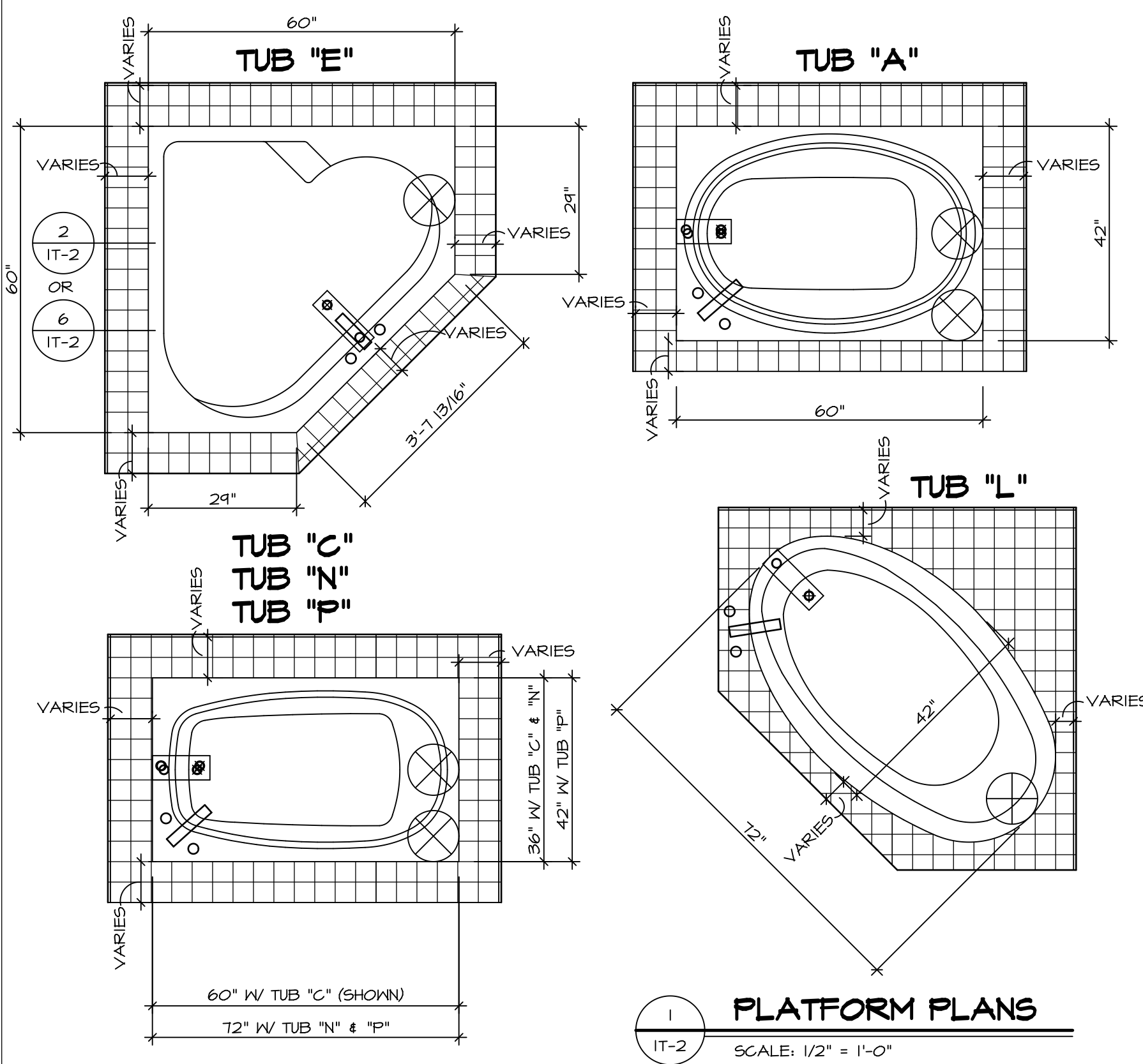


SET NO. CLM00
VERSION 01
DRAWN BY ARY
DATE:
OPTION

MODEL COLUMBIA
DRAWING TITLE BATH ELEVATIONS
OPTION DESCRIPTION

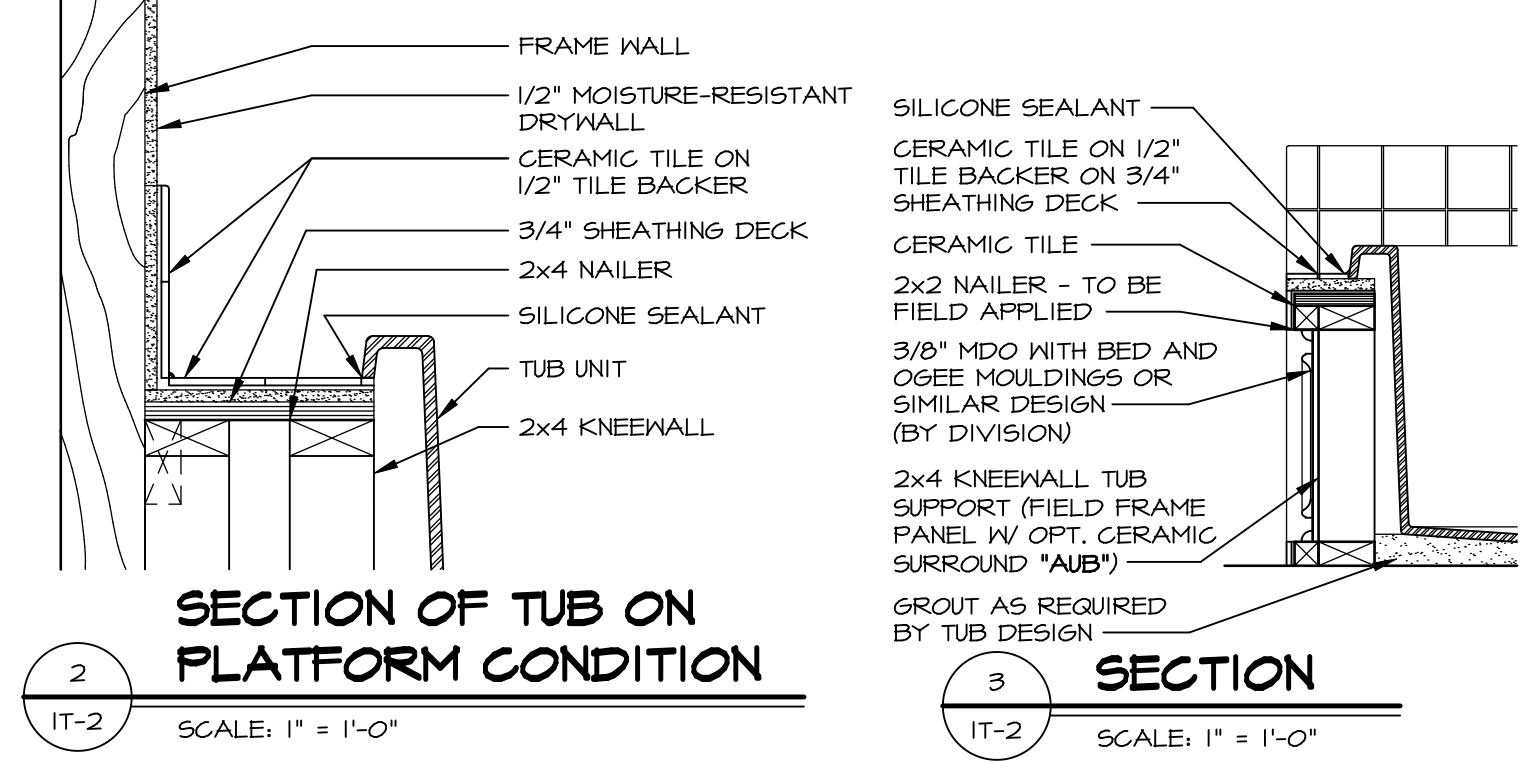
SHEET NO. A-13
46

DIV-COMM-LOT-UNIT DCY-V6-T536
COMM-LOT VLGES OF WINDING CREEK WARR CO - T536
STREET ADDRESS 1772 WINDING RUN BOULEVARD
CITY CENTERVILLE STATE OH ZIP 45459

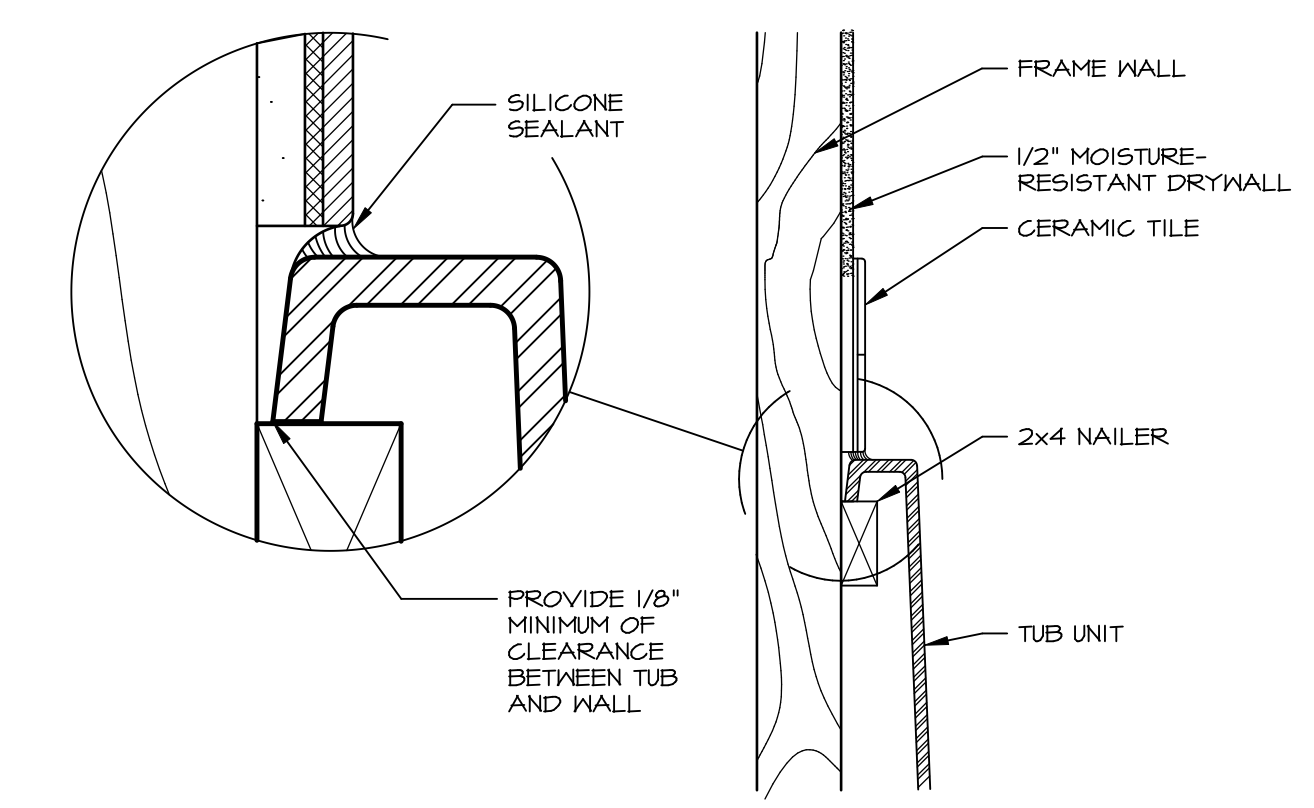


1 PLATFORM PLANS
SCALE: 1/2" = 1'-0"

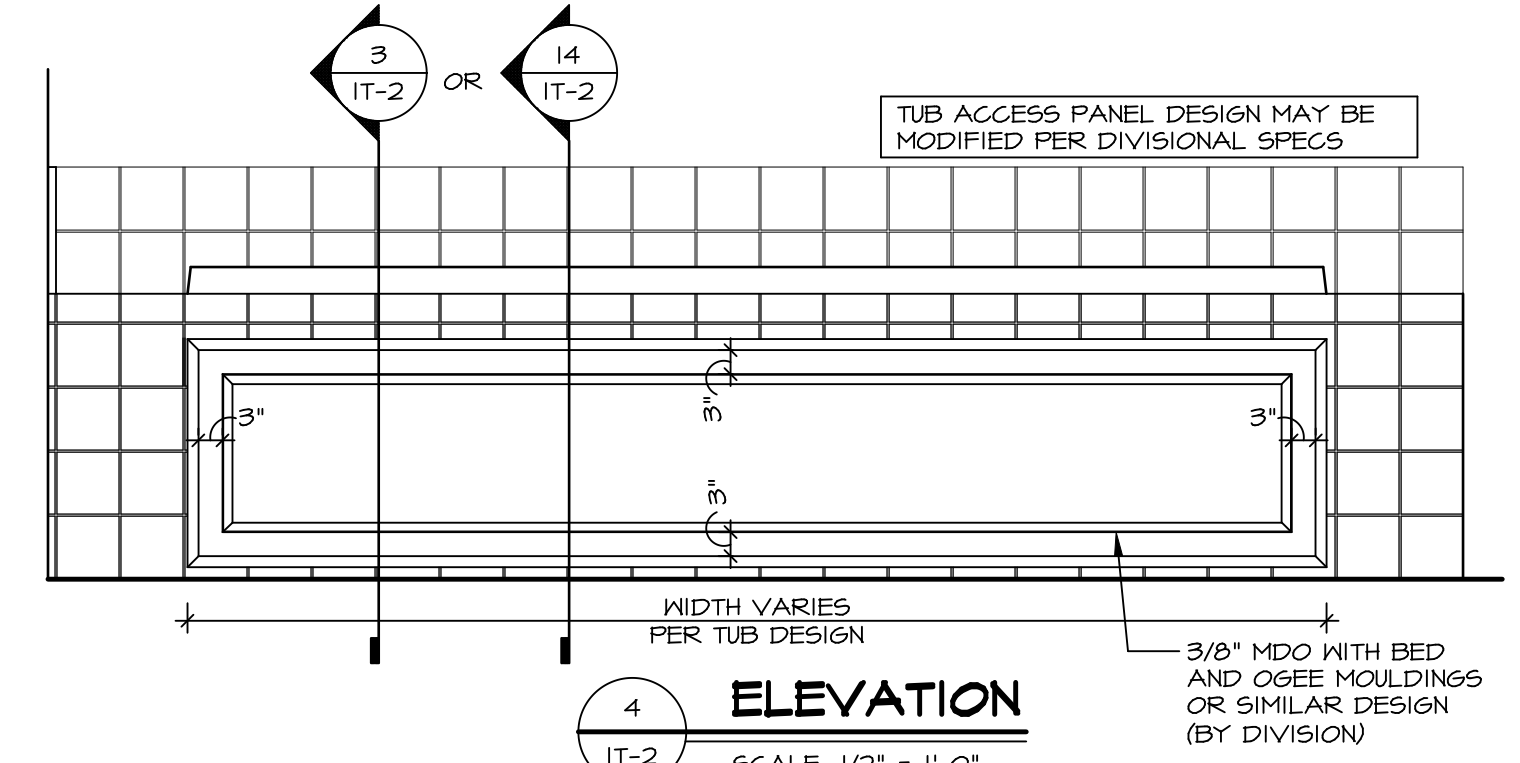
TUB	MANUF.	HEIGHT	WIDTH	LENGTH	TUB DECK PANEL HEIGHT
"A"	KOHLER/STERLING	18 3/4"	42"	60"	17 1/8"
"C"	KOHLER/STERLING	18 3/4"	36"	60"	17 1/8"
"E"	KOHLER/STERLING	19 1/2"	60"	60"	17 7/8"
"L"	KOHLER/STERLING	18 1/2"	42"	72"	16 7/8"
"N"	KOHLER/STERLING	18 3/4"	36"	72"	17 1/8"
"P"	KOHLER/STERLING	18 3/4"	42"	72"	17 1/8"



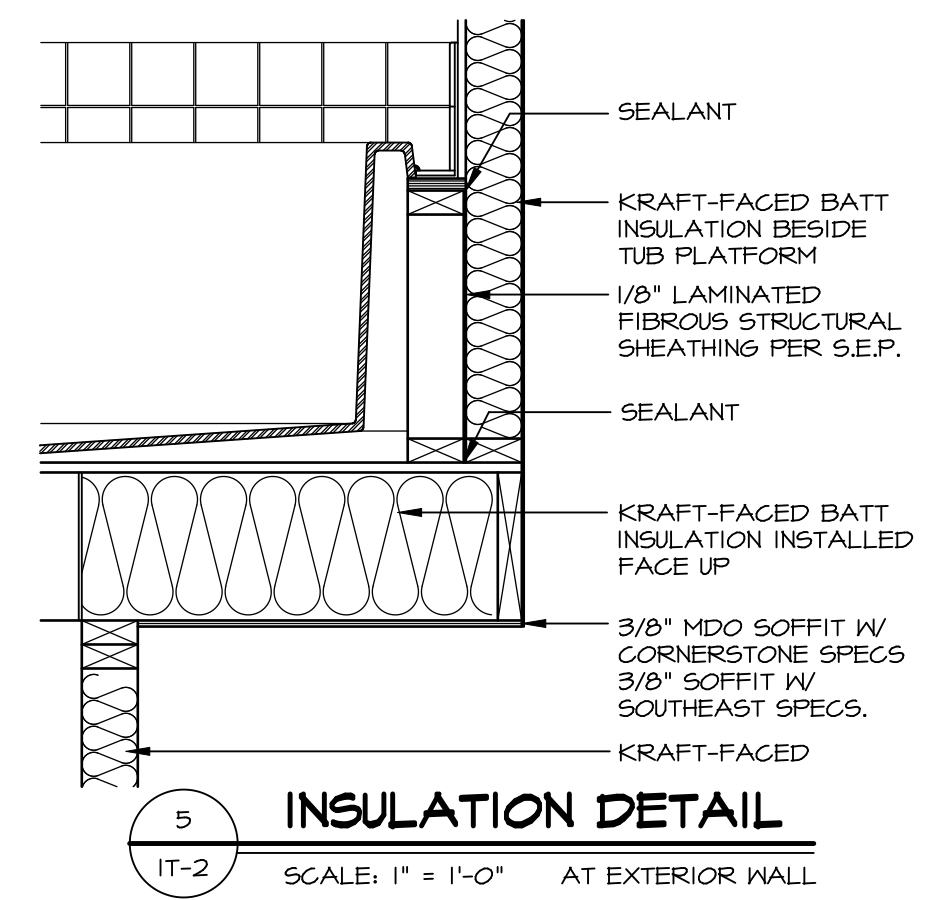
2 SECTION OF TUB ON PLATFORM CONDITION
SCALE: 1" = 1'-0"



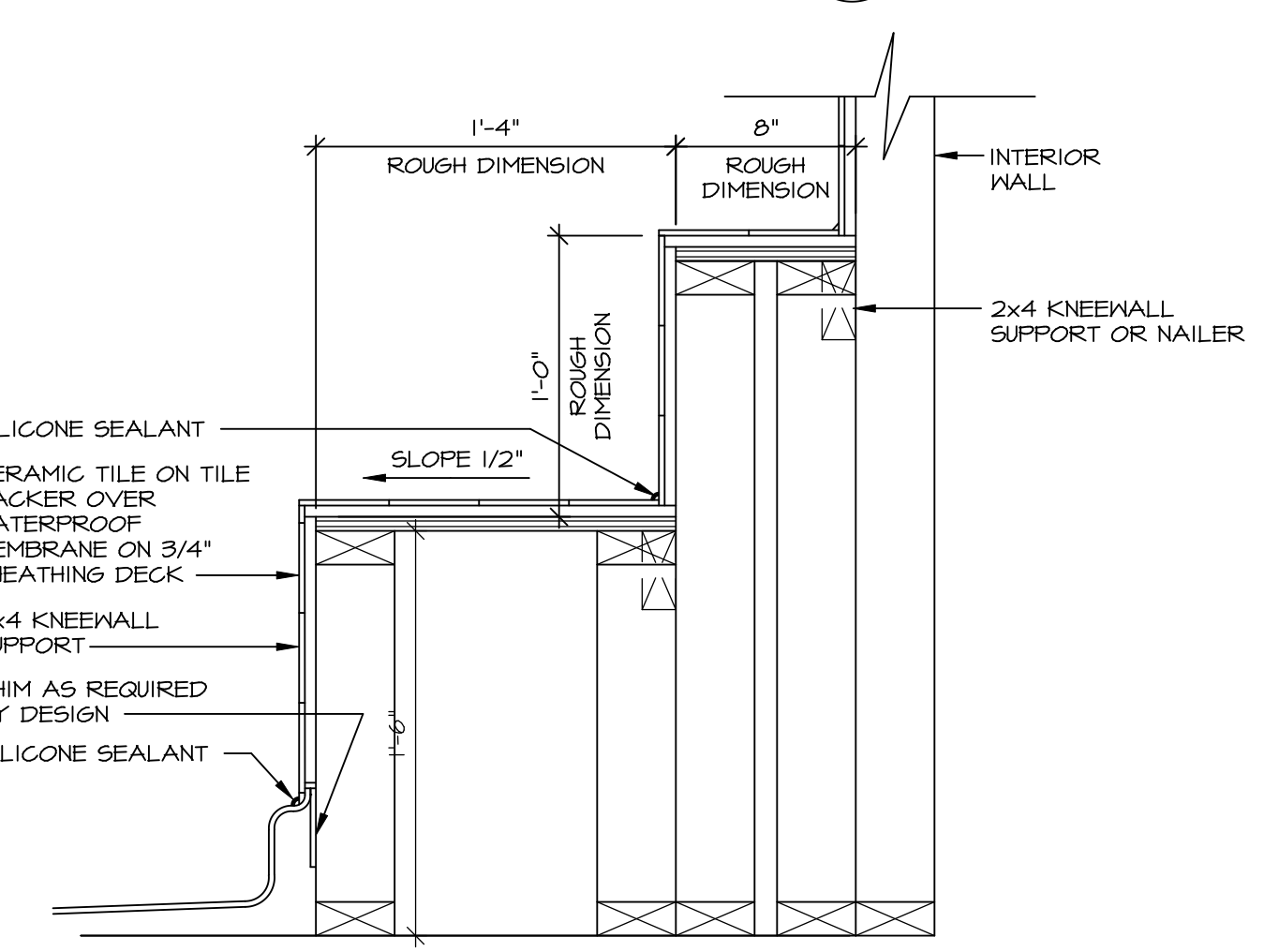
3 SECTION OF TUB TO WALL CONDITION
SCALE: 1" = 1'-0"



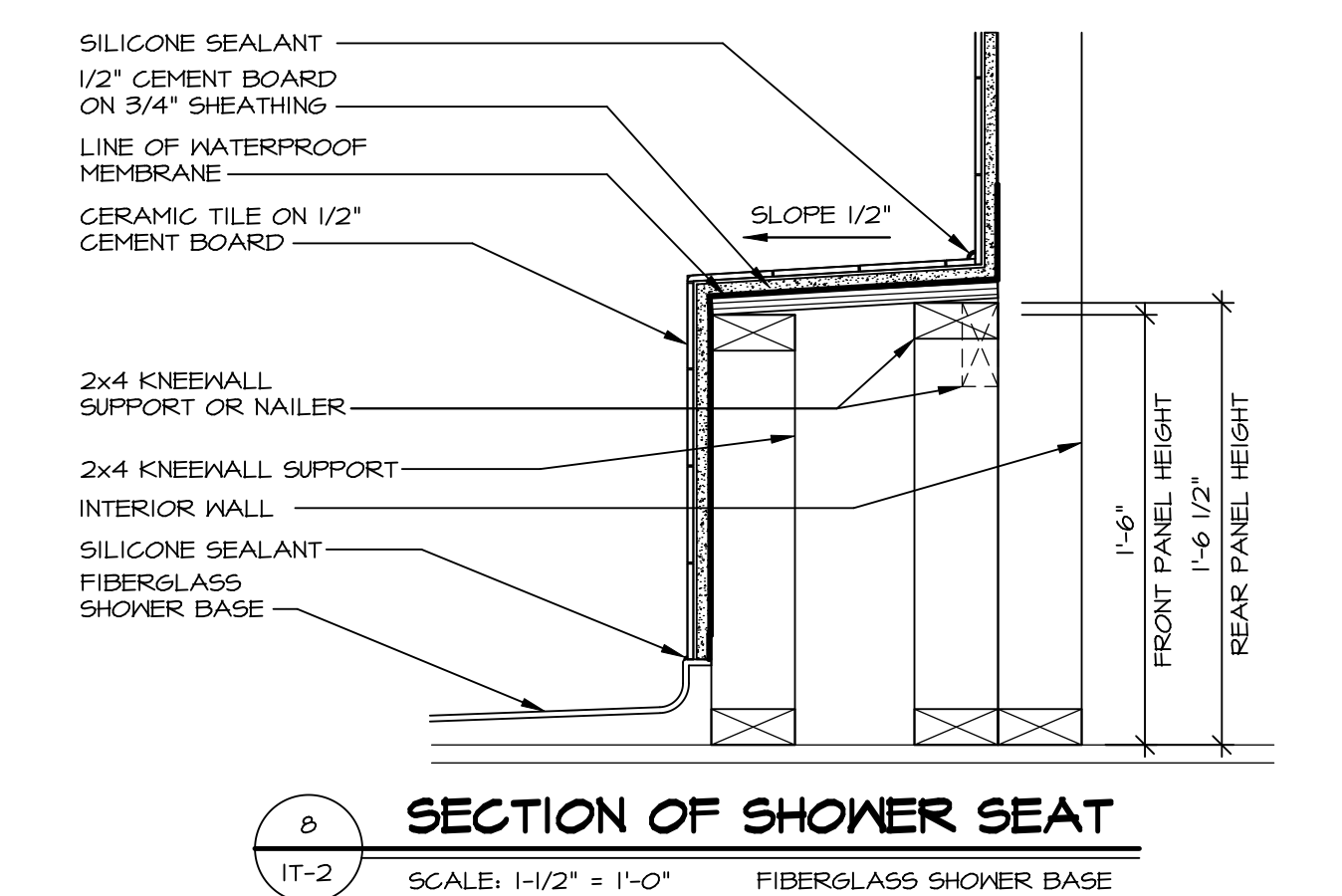
4 ELEVATION
SCALE: 1/2" = 1'-0"



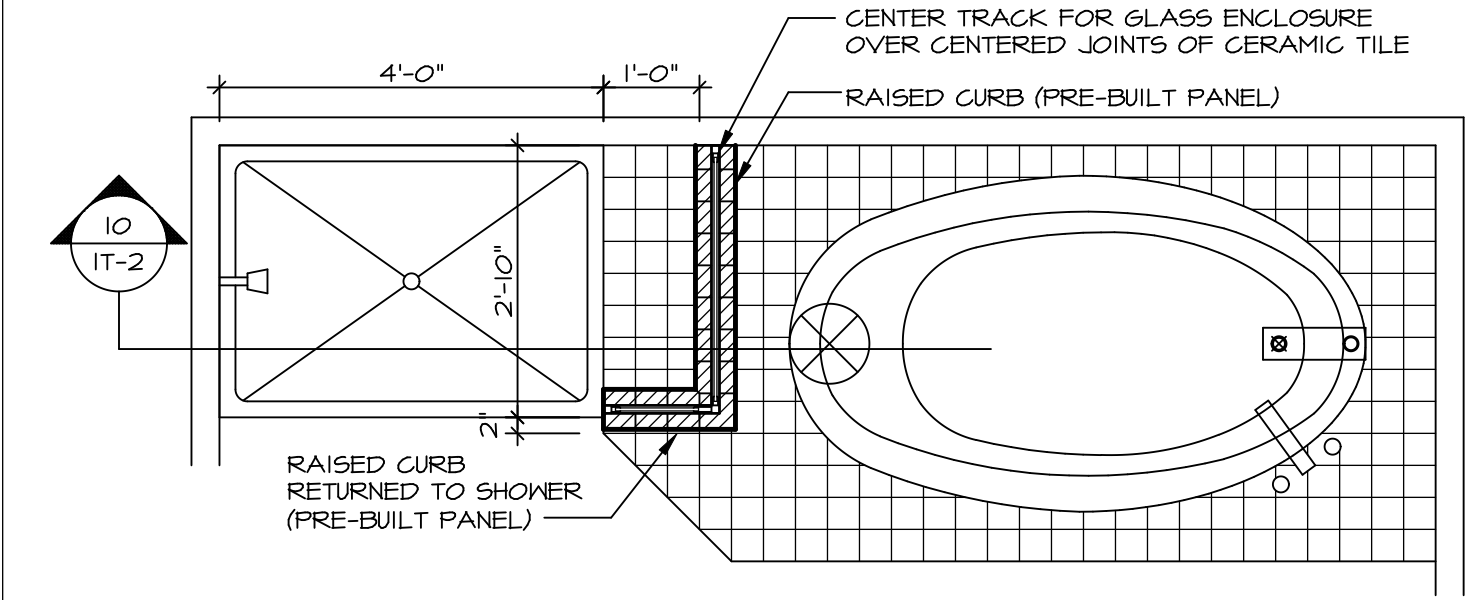
5 INSULATION DETAIL
SCALE: 1" = 1'-0" AT EXTERIOR WALL



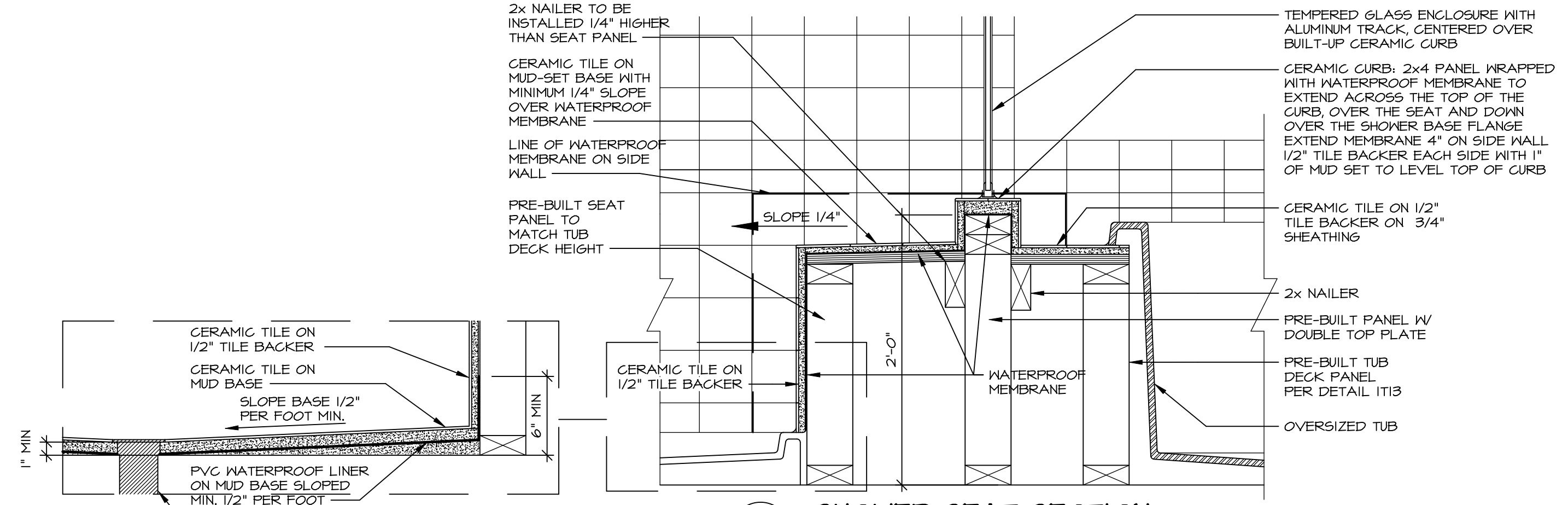
6 SECTION OF SHOWER SEAT AND SHELF
SCALE: 1/2" = 1'-0"



7 SECTION OF SHOWER SEAT
SCALE: 1-1/2" = 1'-0" FIBERGLASS SHOWER BASE



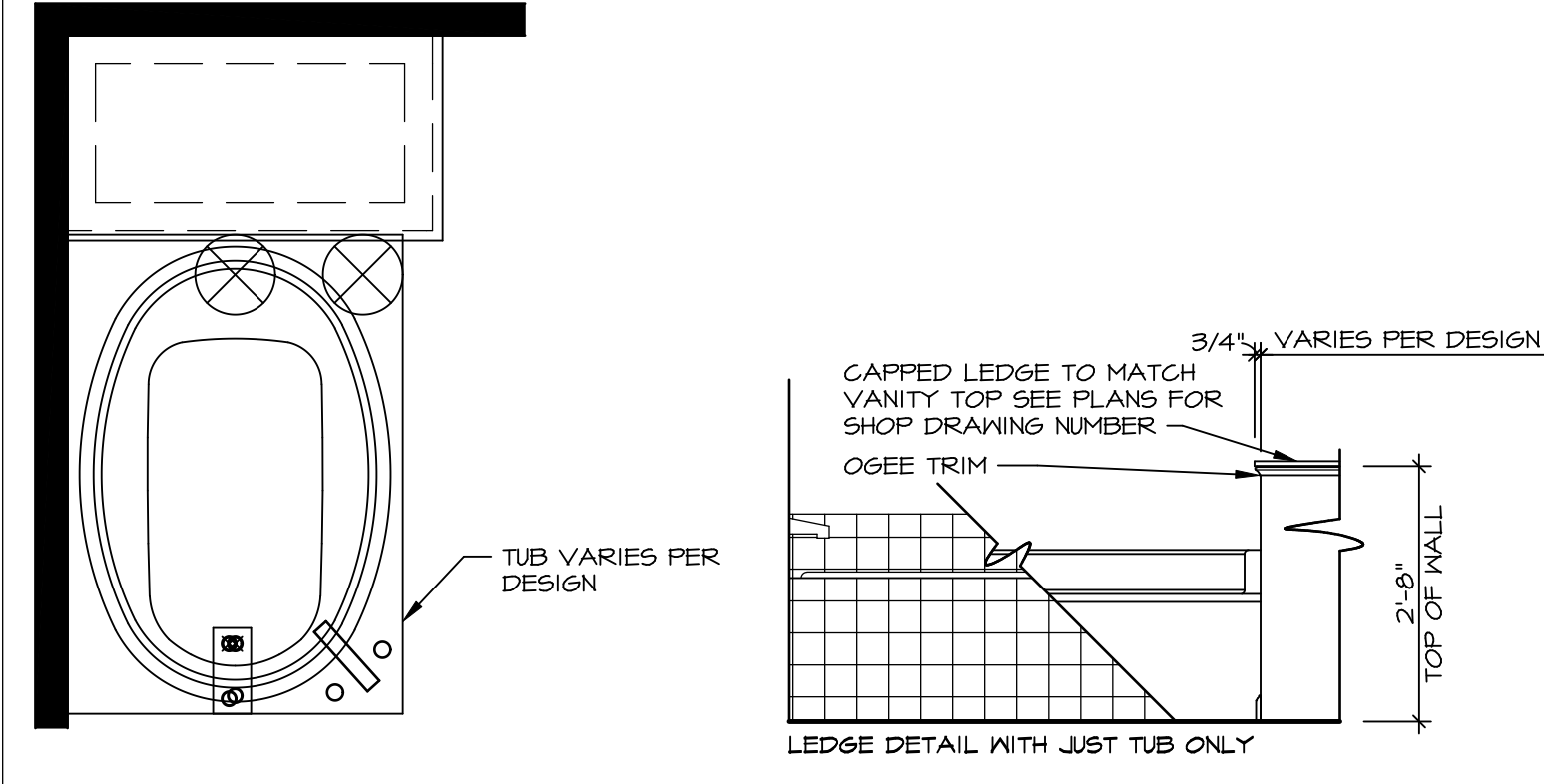
9 SHOWER SEAT PLAN / DETAIL
SCALE: 1/2" = 1'-0"



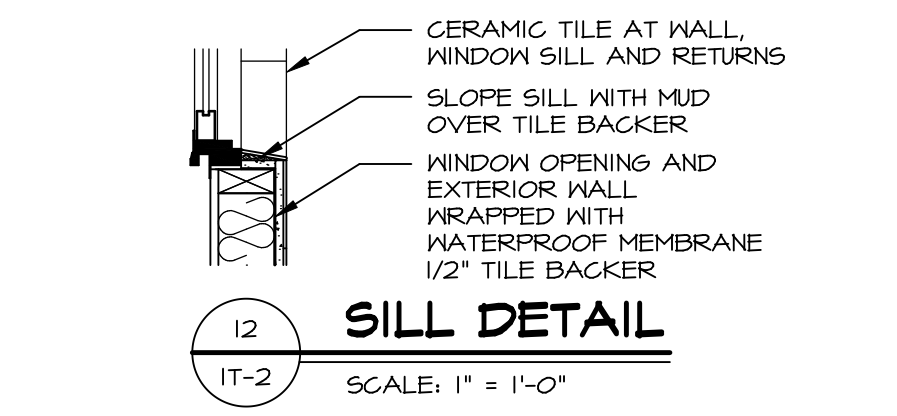
10 SHOWER SEAT SECTION
SCALE: 1-1/2" = 1'-0"



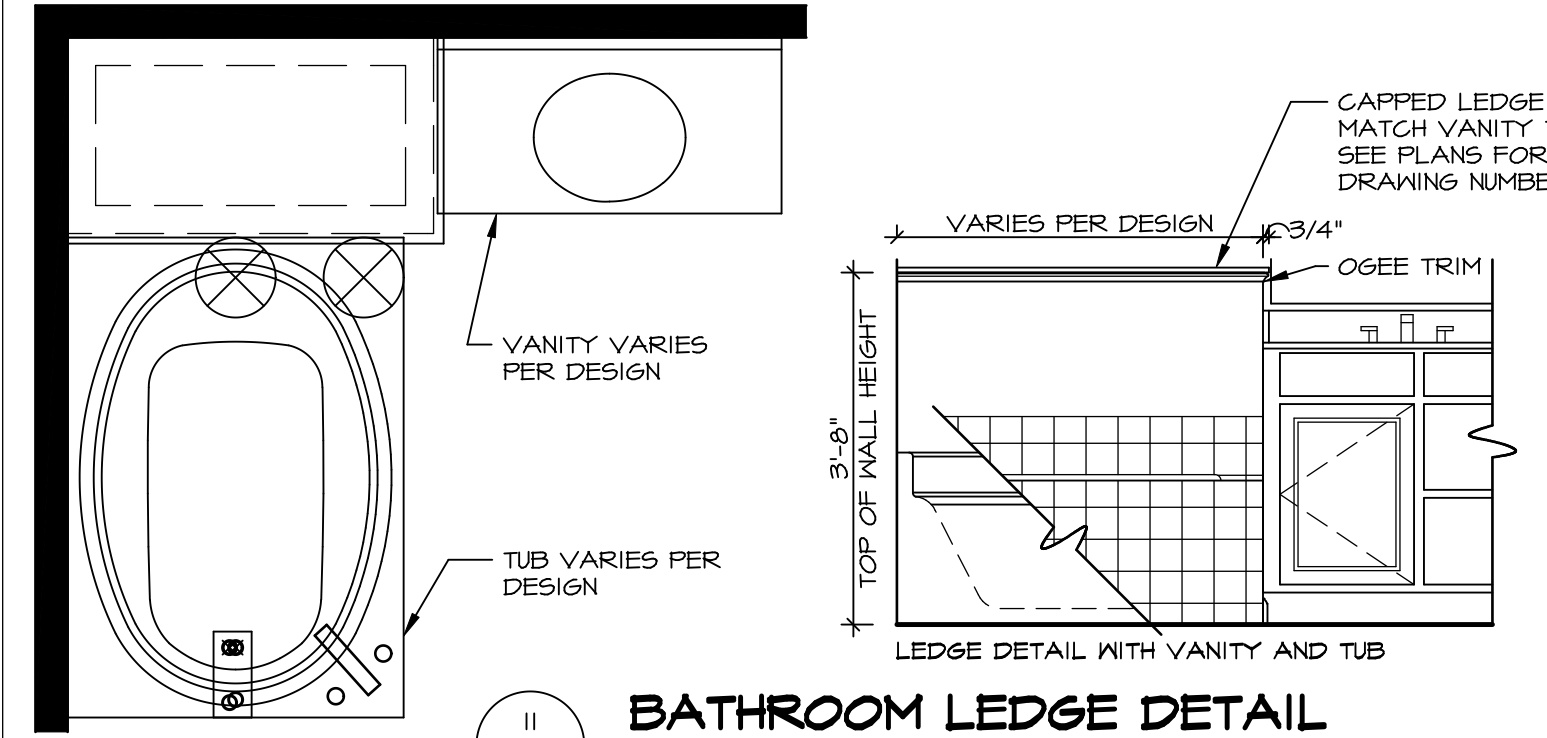
11 ALTERNATE SHOWER PAN DETAIL



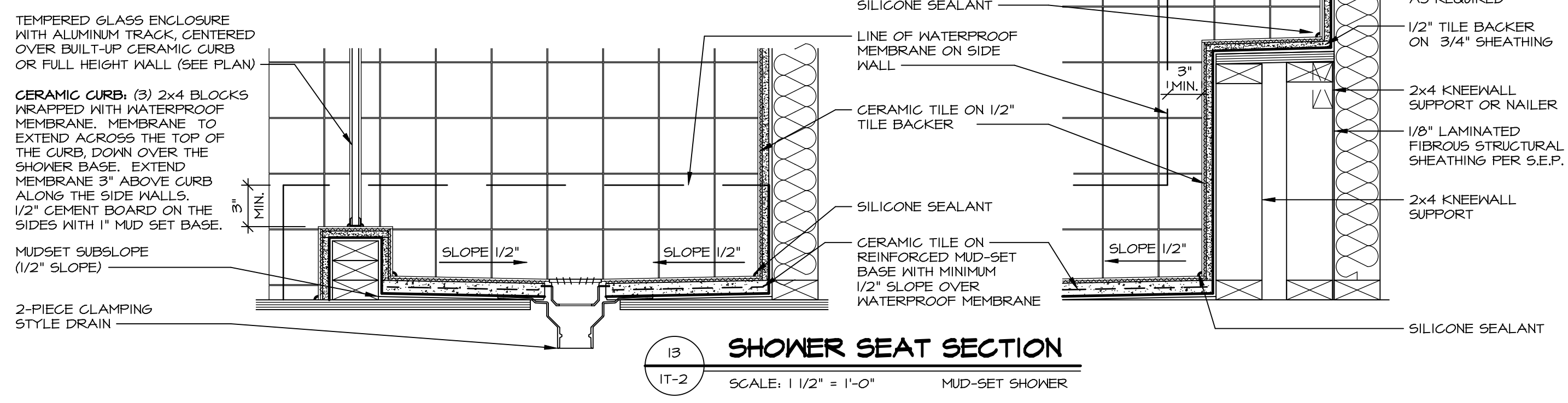
12 BATHROOM LEDGE DETAIL
SCALE: 1/2" = 1'-0"



13 SILL DETAIL
SCALE: 1" = 1'-0"



14 BATHROOM LEDGE DETAIL
SCALE: 1/2" = 1'-0"



15 SHOWER SEAT SECTION
SCALE: 1 1/2" = 1'-0" MUD-SET SHOWER

REVISIONS

REV. NO.	DATE	DESCRIPTION
1	5/11/17	EBP - REVISED DETAIL 1 AND 11 TO REMOVE TUB ACCESS PANEL REF. (095 #15 3414)
2	9/21/17	EBP - REVISED T-FLY NOTE TO CALL OUT LFS
3	9/21/17	EBP - REVISED NOTE ON DETAIL #1 - REVISED ORDER OF MATERIAL PARA#49304
4	8/28/18	EBP - DTL 8 / 19 ME REMOVED THE 2x6 BULKING AT BASE OF SHWR REQUEST #4663

NVR, Inc., owner, expressly reserves its common law copyright and other property rights in these plans. These plans are not to be copied, reproduced, or otherwise used in any way without the prior written consent of NVR, Inc.

NVR
Architectural Services
5285 Westpark Drive
Frederick, MD 21703

SET NO. NVR
VERSION
DRAWN BY
DATE:
OPTION

STANDARD DETAILS
DRAWING TITLE
INTERIOR TRIM DETAILS
BATH DETAILS
OPTION DESCRIPTION

SHEET NO. **IT-2**