

1
A-5 **PLUMBING PLAN**
SCALE: 1/4" = 1'-0"

NOTE
 RADON REMEDIATION
 RADON LOOP:
 - (4") PERFORATED HDPE "LOOP"
 - MUST BE PLACED IN STONE BED SLIGHTLY HIGHER THAN ANY INTERIOR DRAINTILE
 - LOOP TO BE SEPARATE FROM ANY DRAINTILE ELEMENTS
 - TO BE CORRUGATED HDPE PIPE
 - SCREENS TO BE INSTALLED THROUGH LOOP AT TEE UP INTO STACK
 STACK REQUIREMENTS:
 - 3" PVC STACK (4" IF BASEMENT IS GREATER THAN 2200 SQFT.)
 - NO PART OF STACK IS TO BE HORIZONTAL
 - PIPE TO BE PHYSICALLY LABELED IN THE FIELD AS "RADON VENT" OR OTHER JURISDICTIONALLY REQUIRED LANGUAGE (ON EVERY LEVEL OF HOUSE)
 - ROOF TERMINATION TO BE IN TOP 1/3 OF ROOF
 - SCREEN INSTALLED TO KEEP PESTS OUT OF RADON VENT AT ROOF TERMINATION

SHEET NO. A-5	MODEL LEHIGH	SET NO. LGH00
OPTION DESCRIPTION PLUMBING PLAN	VERSION 01	DRAWN BY
DATE:	DATE:	OPTION
25		

NVR
 NVR, Inc. Suite 100
 5285 Westfield Rd.
 Frederick, MD 21703

© NVR, Inc. expressly reserves the right to modify or amend these plans at any time without notice. These plans are not to be reproduced, changed or altered in any way without the written consent of NVR, Inc.

DIV-COMM-LOT-UNIT DCY-VG-T609	
COMM-LOT VILGE OF WINDING CREEK WARR CO - T609	APT. NO. ----
STREET ADDRESS 1175 WINDING RUN BOULEVARD	CITY STATE ZIP CENTERVILLE OH 45459

LEGEND

	BEARING WALL
	NON BEARING WALL
	INDICATES BEARING FROM POINT-LOAD ABOVE
	JACKS
	BEAM/HEADER
	PAD FOOTING
	STEEL COLUMN
	PORTAL FRAME
	JOIST/TRUSS
	LVL
	ENGINEERING PAGE NUMBER

SEE FC DETAILS FOR FRAMING CONNECTORS

- FLOOR PLAN NOTES**
- ALL HEADERS ARE (2) 2x6 W/ 2x4 WALLS OR (3) 2x6 W/ 2x6 WALLS, UNLESS OTHERWISE NOTED.
 - ALL HEADERS TO HAVE (1) 2x4 OR 2x6 JACK AND KING STUD EACH END, UNLESS OTHERWISE NOTED.
 - ALL EXTERIOR WALLS TO BE 4" W/ OSB OR 3 1/2" W/ LAMINATED FIBROUS STRUCTURAL SHEATHING, ALL INTERIOR WALLS TO BE 3 1/2", UNLESS OTHERWISE NOTED. HATCHED AREAS INDICATE DROPPED CEILINGS. ALL DROPPED CEILINGS ARE 12" UNLESS OTHERWISE NOTED. SEE "BRACED WALL PANEL DETAIL SHEET" FOR SPECIAL WALL FRAMING LOCATIONS AND HEADER SIZES, IF APPLICABLE.
 - SEE STANDARD DETAIL CATEGORY "11" SHEET(S) FOR INTERIOR TRIM DETAILS.
 - SEE ARCHITECTURAL DETAIL SHEET "AD" FOR HOUSE SPECIFIC INTERIOR TRIM OPTION TABLE.
 - ALL WINDOWS HAVE 7'-0 1/2" HEADER HEIGHT UNLESS OTHERWISE NOTED.
 - ALL HEADERS IN NON-BEARING WALLS SHALL BE A SINGLE FLAT 2x4 OR 2x6 ATTACHED TO GRIPPLIES ABOVE, UNLESS OTHERWISE NOTED.
 - TANKED WATER HEATER SHOWN AS BASE CONDITION, OPTIONAL TANKLESS WATER HEATER IS AVAILABLE IN LIEU OF TANKED WATER HEATER.

- GYPSUM NOTES**
- AT GARAGE:
GYPSUM BOARD AT COMMON WALLS, CEILING, BEAM WRAPS AND SUPPORTS PER STANDARD DETAIL FA-1(b) FIRE ASSEMBLIES OR AS REQUIRED BY LOCAL CODE.
- AT STAIRS:
1/2" GYPSUM BOARD AT UNDERSIDE OF STAIRS AND WALLS IN CLOSET

FIRST FLOOR JACK SCHEDULE

IDENTIFIER	DESCRIPTION	OPTIONS	ENG. NUM.
J100	JACK - (5) 2X4 SFF#		2000
J105	JACK - (4) 2X6 SFF STUD GRADE	ELL	2000
J106	JACK - (3) 2X6 SFF STUD GRADE		1016
J107	JACK - (4) 2X4 SFF STUD GRADE		1016
J108	JACK - (2) 2X4 SFF STUD GRADE		1036
J109	JACK - (2) 2X4 SFF STUD GRADE		1032
J114	JACK - (2) 2X4 SFF STUD GRADE		1017
J115	JACK - (3) 2X6 SFF STUD GRADE		1017
J118	JACK - (2) 2X4 SFF STUD GRADE		1026
J119	JACK - (5) 2X6 SFF#	5XC	1044, 1044
J120	JACK - (5) 2X6 SFF STUD GRADE	6CB, 6CF	1044, 1044
J121	JACK - (2) 2X4 SFF STUD GRADE	6CB, 6CF	1055
J122	JACK - (2) 2X4 SFF STUD GRADE	6CB, 6CF	1055
J123	JACK - (2) 2X4 SFF STUD GRADE	6CF	1051
J124	JACK - (2) 2X4 SFF STUD GRADE	6CF	1051

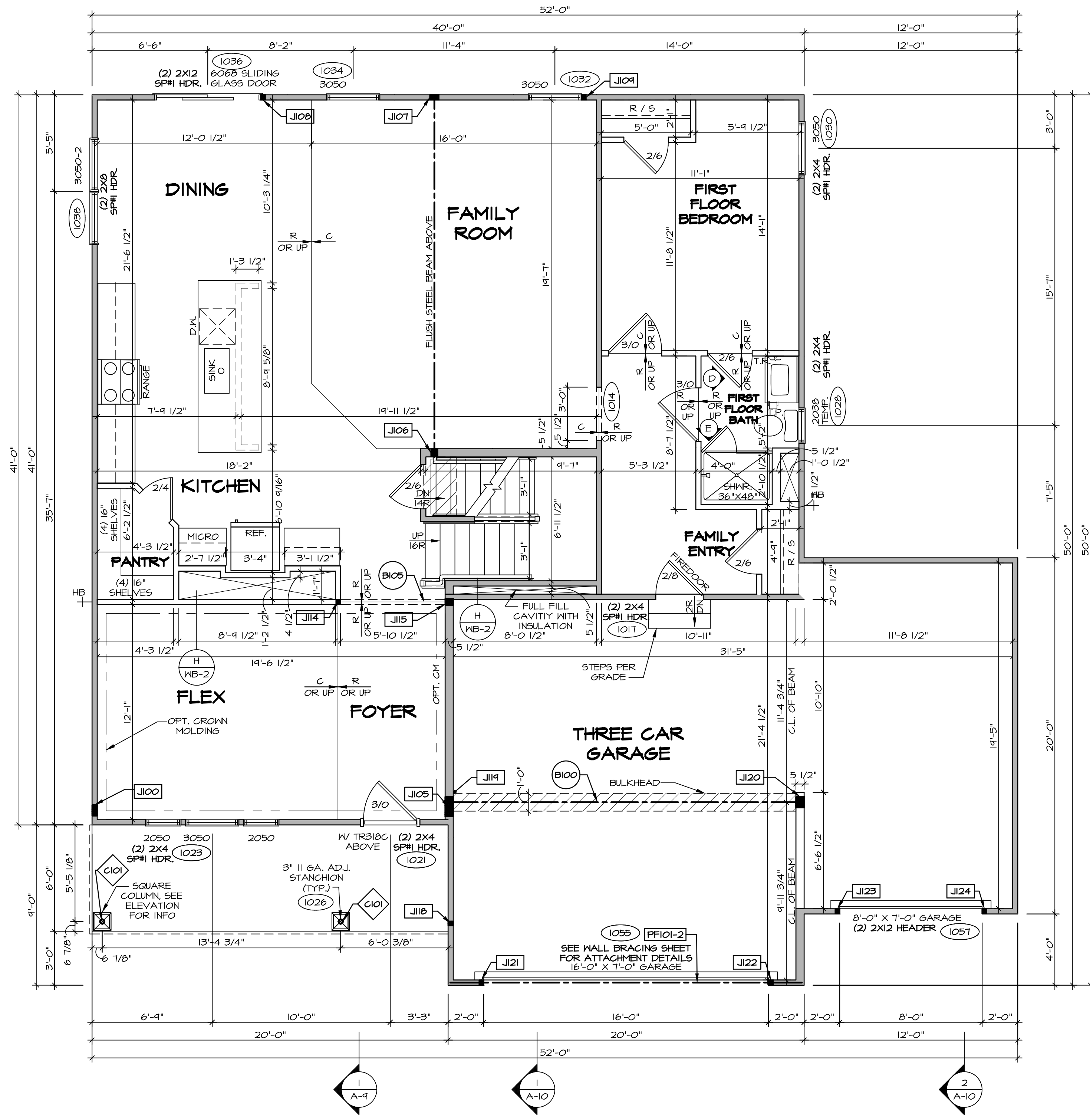
- LVL PLY TO PLY FASTENING SCHEDULE:** (WHERE APPLICABLE BASED ON LVL USAGE)
- 1A - (2) PLY UP TO AND INCLUDING 11 7/8" TALL; FASTEN PLYS W/ (2) ROWS 16D NAILS AT 12" O.C. OR ALT 1 1/2" WIDE LVL FASTEN PLYS W/ (3) ROWS 12D NAILS AT 12" O.C.
 - 2A - (2) PLY 14" TO AND 18" TALL (INCLUSIVE); FASTEN PLYS W/ (3) ROWS 16D NAILS AT 12" O.C. OR ALT 1 1/2" WIDE LVL FASTEN PLYS W/ (4) ROWS 12D NAILS AT 12" O.C.
 - 3A - (2) PLY 20" TALL AND OVER; FASTEN PLYS W/ (4) ROWS 16D NAILS AT 12" O.C. OR ALT 1 1/2" WIDE LVL FASTEN PLYS W/ (5) ROWS 12D NAILS AT 12" O.C.
 - 4A - (3) PLY UP TO AND INCLUDING 11 7/8" TALL; FASTEN PLYS W/ (2) ROWS 16D NAILS AT 12" O.C. FROM EACH SIDE OR ALT 1 1/2" WIDE LVL FASTEN PLYS W/ (3) ROWS 12D NAILS AT 12" O.C. FROM EACH SIDE.
 - 5A - (3) PLY 14" TO AND 18" TALL (INCLUSIVE); FASTEN PLYS W/ (3) ROWS 16D NAILS AT 12" O.C. FROM EACH SIDE OR ALT 1 1/2" WIDE LVL FASTEN PLYS W/ (4) ROWS 12D NAILS AT 12" O.C. FROM EACH SIDE.
 - 6A - (3) PLY 20" TALL AND OVER; FASTEN PLYS W/ (4) ROWS 16D NAILS AT 12" O.C. FROM EACH SIDE OR ALT 1 1/2" WIDE LVL FASTEN PLYS W/ (5) ROWS 12D NAILS AT 12" O.C. FROM EACH SIDE.
 - 7A - (4) PLY (ALL SIZES); FASTEN PLYS W/ (2) ROWS 1/2" DIAMETER A307 BOLTS AT 24" O.C. SEE SHOP DRAWING FOR ADDITIONAL INFORMATION.

FIELD INSTALLED FIRST FLOOR BEAM/HEADER SCHEDULE

IDENTIFIER	DESCRIPTION	LENGTH	OPTIONS	ENG. NUM.	REMARKS
B100	BEAM STEEL - W12X35	20'-1 1/2"	5XC	1044, 1044	
B105	INT HEADER - 2XB - 2 PLY	6'-7"		1073	
PF101-2	LVL 1.75 - 11-04	19'-4"	6CB, 6CF	1055	2-PLY, 1A, PORTAL FRAME

STEEL COLUMN SCHEDULE

IDENTIFIER	STYLE	HEIGHT	OPTIONS	ENG. NUM.	REMARKS
C101	STANCHION PORCH - 3 IN DIA 11GA ADJ	8'-8 5/8"		1026	



FIRST FLOOR PLAN
SCALE: 1/4" = 1'-0"

DCY-VG-T609

COMMITTEE: VLGGS OF WINDING CREEK WARR CO - T609

STREET ADDRESS: 1175 WINDING RUN BOULEVARD

CITY: CENTERVILLE STATE: OH ZIP: 45458

MODEL: LEHIGH

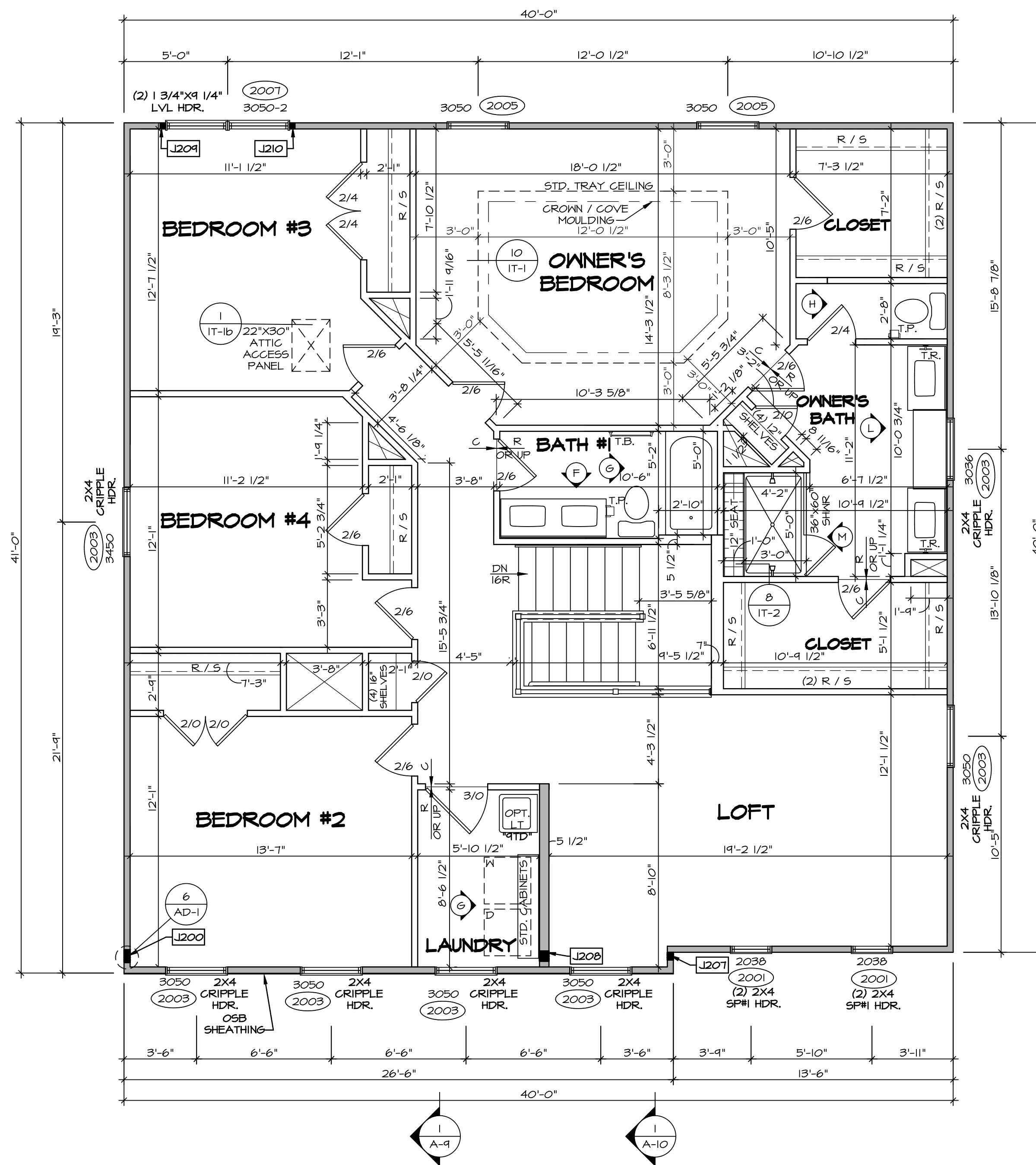
DRAWING TITLE: FIRST FLOOR PLAN

OPTION DESCRIPTION: A-7

SHEET NO.: 30

DATE: 11/07/19

SCALE: 11/07/19 - 2:41 pm



SECOND FLOOR PLAN
SCALE: 1/4" = 1'-0"

LEGEND

- BEARING WALL
- NON BEARING WALL
- INDICATES BEARING FROM POINT-LOAD ABOVE
- JACKS
- BEAM/HEADER
- PAD FOOTING
- STEEL COLUMN
- PORTAL FRAME
- JOIST/TRUSS
- LVL
- ENGINEERING PAGE NUMBER

SEE FC DETAILS FOR FRAMING CONNECTORS

- FLOOR PLAN NOTES**
- ALL HEADERS ARE (2) 2x6 w/ 2x4 WALLS OR (3) 2x6 w/ 2x6 WALLS, UNLESS OTHERWISE NOTED.
 - ALL HEADERS TO HAVE (1) 2x4 OR 2x6 JACK AND KING STUD EACH END, UNLESS OTHERWISE NOTED.
 - ALL EXTERIOR WALLS TO BE 4" w/ OSB OR 3 1/2" w/ LAMINATED FIBROUS STRUCTURAL SHEATHING. ALL INTERIOR WALLS TO BE 3 1/2", UNLESS OTHERWISE NOTED.
 - HATCHED AREAS INDICATE DROPPED CEILINGS. ALL DROPPED CEILINGS ARE 12" UNLESS OTHERWISE NOTED.
 - SEE "BRACED WALL PANEL DETAIL SHEET" FOR SPECIAL WALL FRAMING LOCATIONS AND HEADER SIZES, IF APPLICABLE.
 - SEE STANDARD DETAIL CATEGORY "IT" SHEET(S) FOR INTERIOR TRIM DETAILS.
 - SEE ARCHITECTURAL DETAIL SHEET "AD" FOR HOUSE SPECIFIC INTERIOR TRIM OPTION TABLE.
 - ALL WINDOWS HAVE "T-O 1/2" HEADER HEIGHT UNLESS OTHERWISE NOTED.
 - ALL HEADERS IN NON-BEARING WALLS SHALL BE A SINGLE FLAT 2x4 OR 2x6 ATTACHED TO CRIPPLES ABOVE, UNLESS OTHERWISE NOTED.
 - TANKED WATER HEATER SHOWN AS BASE CONDITION, OPTIONAL TANKLESS WATER HEATER IS AVAILABLE IN LIEU OF TANKED WATER HEATER.

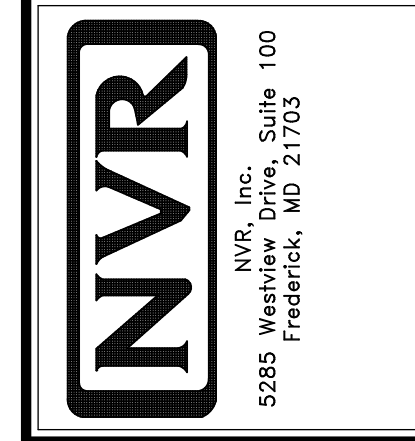
- GYPSUM NOTES**
- AT GARAGE:
GYPSUM BOARD AT COMMON WALLS, CEILINGS, BEAM WRAPS AND SUPPORTS PER STANDARD DETAIL FA-1(b) FIRE ASSEMBLIES OR AS REQUIRED BY LOCAL CODE.
- AT STAIRS:
1/2" GYPSUM BOARD AT UNDERSIDE OF STAIRS AND WALLS IN CLOSET

SECOND FLOOR JACK SCHEDULE

IDENTIFIER	DESCRIPTION	OPTIONS	ENG. NUM.	REMARKS
J200	JACK - (5) 2X4 SPM		2000	1/8"x3 1/2"x1 1/2" STEEL BEARING PLATE, EXTEND THRU TOP PLATES
J207	JACK - (3) 2X4 SFF STUD GRADE	ELL	2000	
J208	JACK - (4) 2X6 SFF STUD GRADE	ELL	2000	EXTEND THRU TOP PLATE
J209	JACK - (2) 2X4 SFF STUD GRADE		2001	
J210	JACK - (2) 2X4 SFF STUD GRADE		2001	

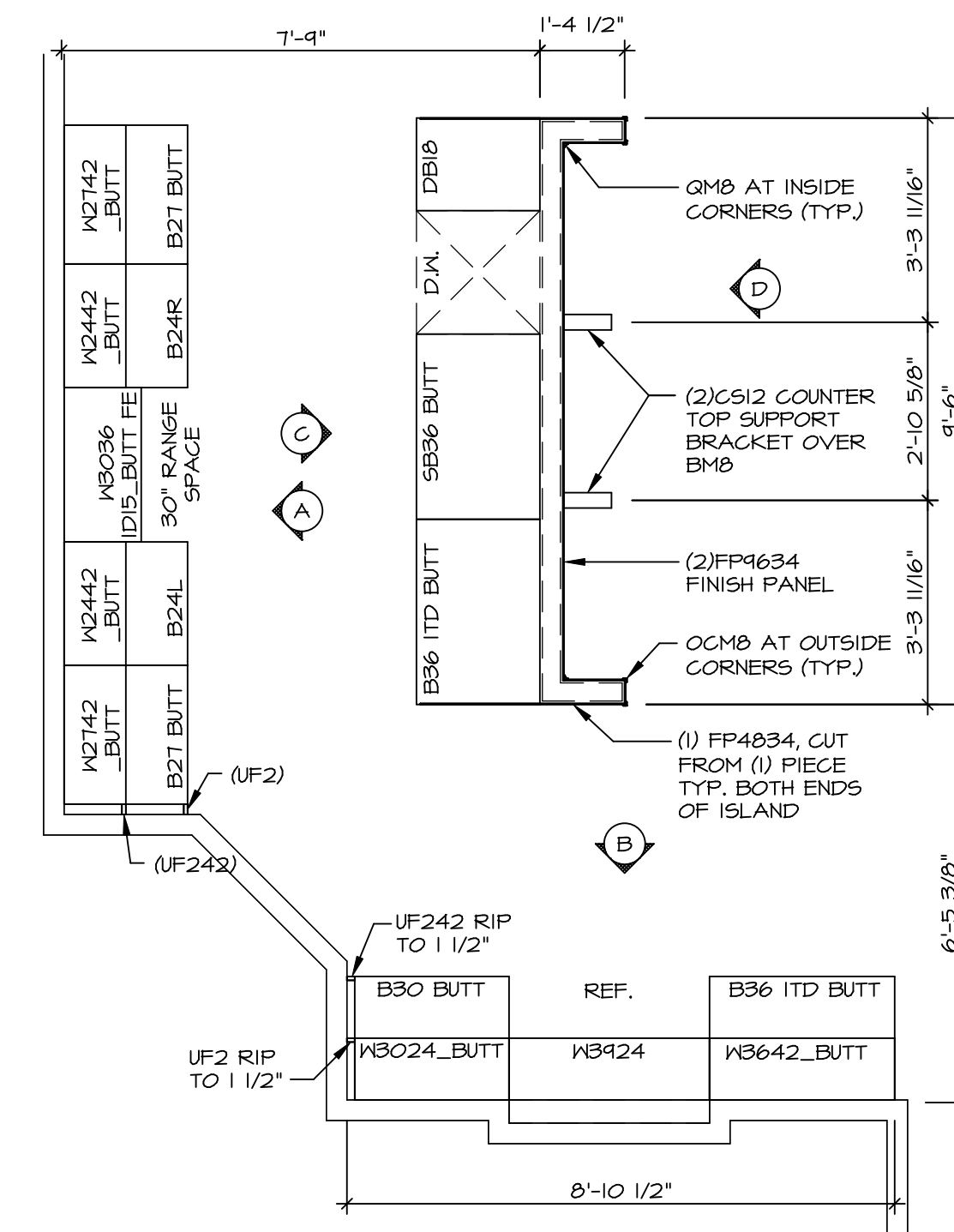
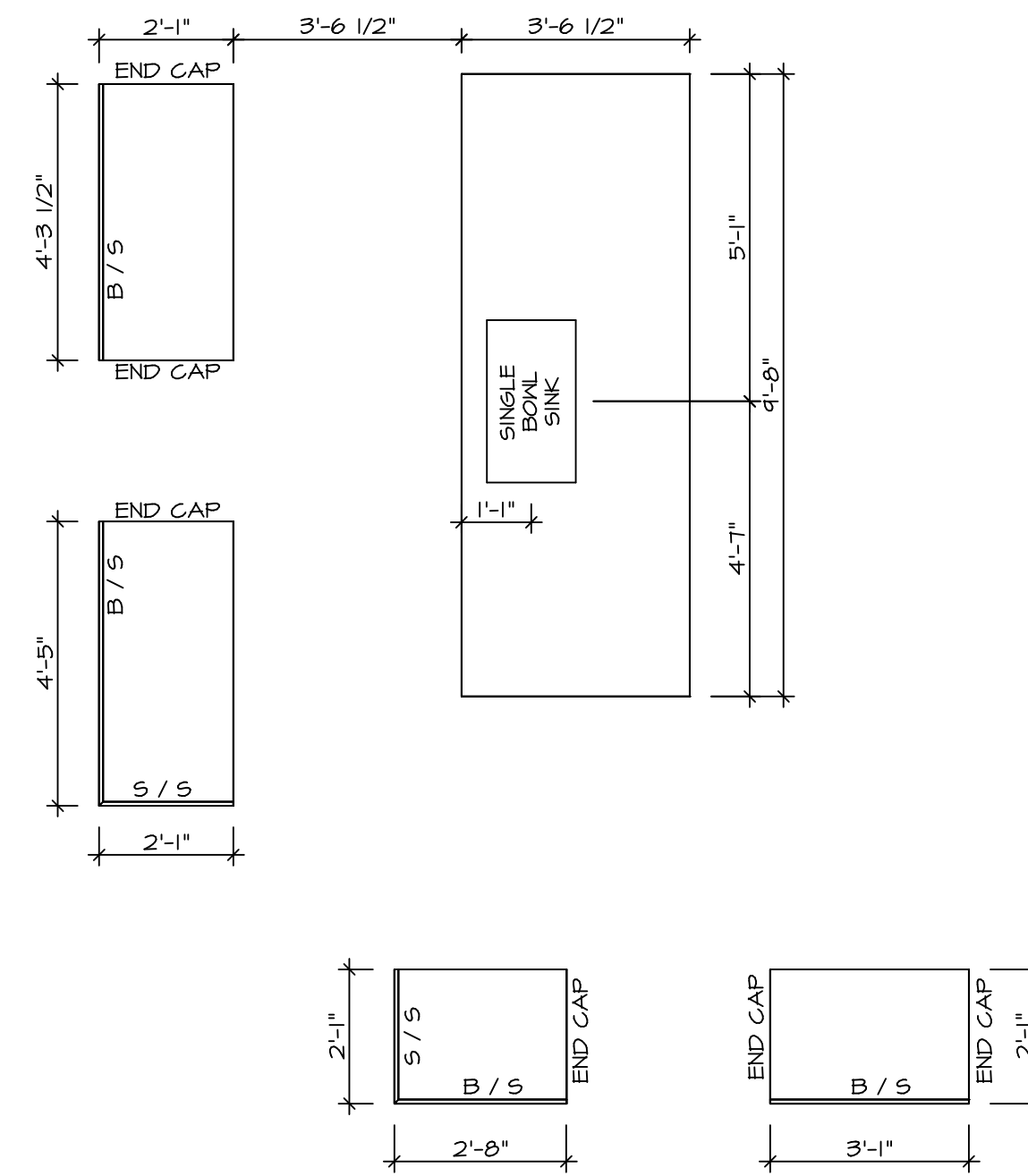
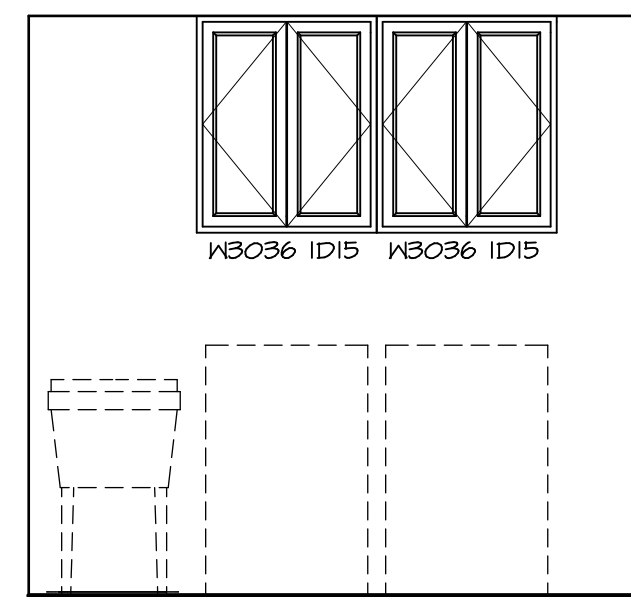
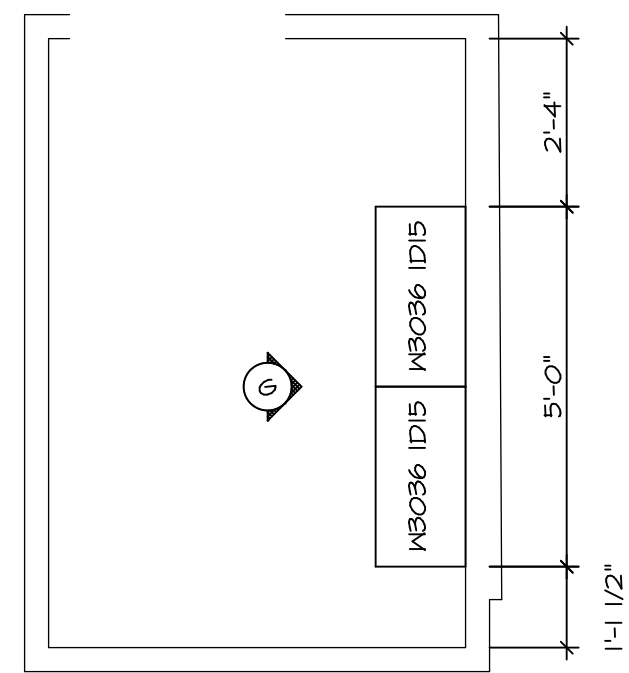
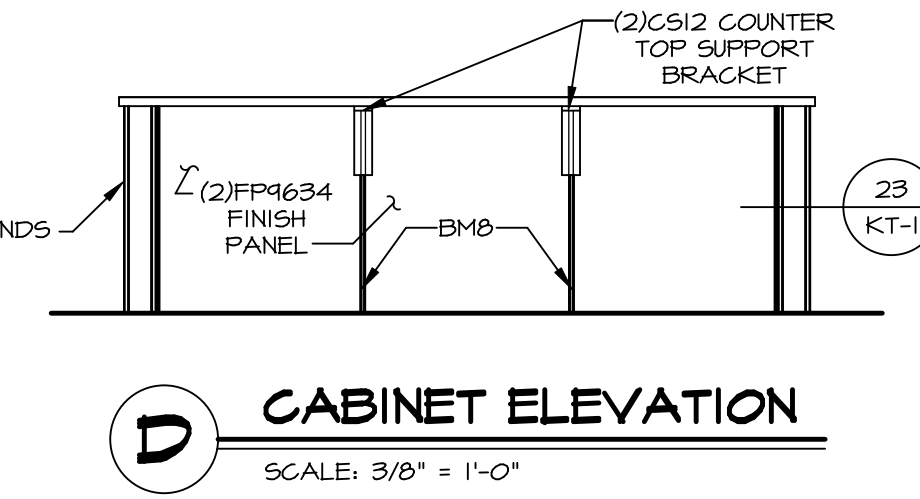
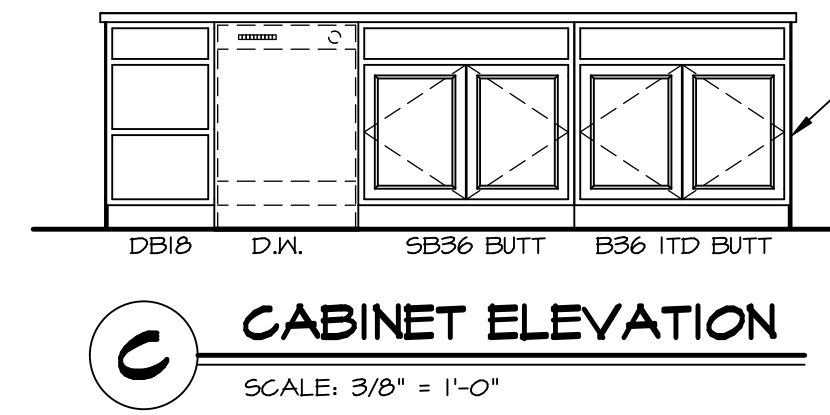
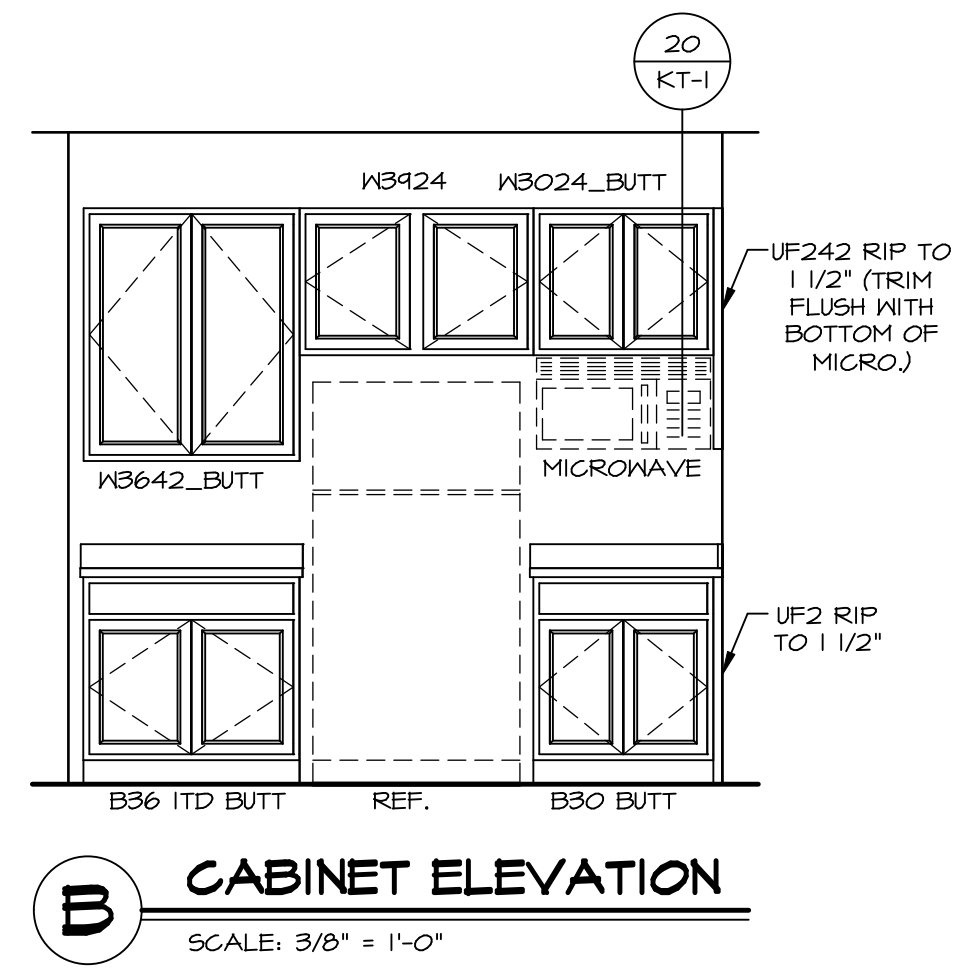
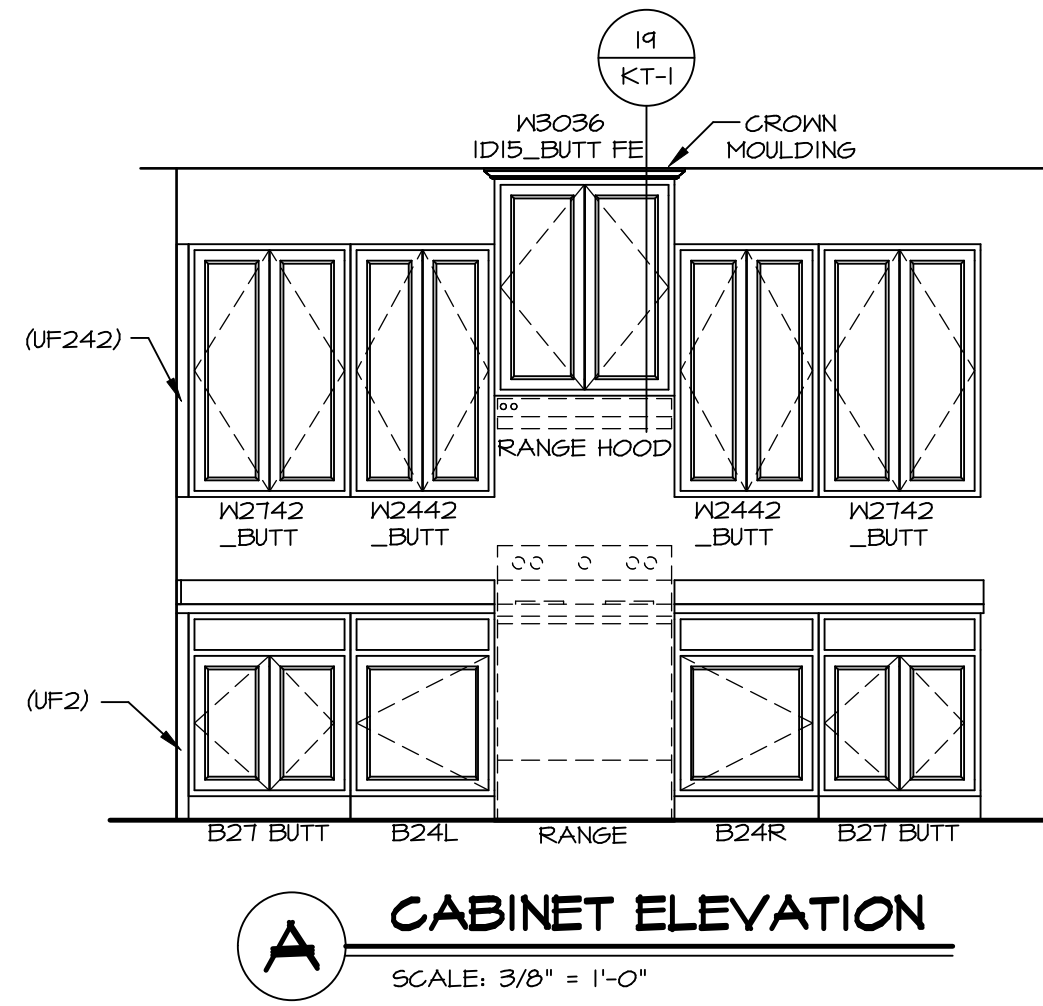
DIV-COMM-LOT-UNIT
DCY-VG-T609
COMM-LOT
VILLES OF WINDING CREEK WARR CO - T609
STREET ADDRESS
1175 WINDING RUN BOULEVARD
CITY STATE OH ZIP
CENTERVILLE OH 45458

© NVR, Inc. All rights reserved. The user expressly reserves the right to modify these plans at any time without notice. These plans are not to be reproduced, changed or altered in any way without the written consent of NVR, Inc.



MODEL	LEHIGH
DRAWING TITLE	SECOND FLOOR PLAN
OPTION DESCRIPTION	
SHEET NO.	A-8
VERSION	01
DATE	
OPTION	
SET NO.	LGH00
DRAWN BY	
DATE	
OPTION	

- NOTES:**
- CABINET LAYOUT (S) ARE BASED ON FINISHED DIMENSIONS TO DRYWALL.
 - IF KITCHEN PLANS/ELEVATIONS CALL-OUT STANDARD MOLDING, REFER TO STANDARD DETAIL (1/KT-1) FOR REPLACEMENT BASED ON CABINET STYLE.
 - ALL (UF8) FILLERS ARE TO BE "TRIM TO FIT" UNLESS OTHERWISE NOTED.
 - CABINET MUST BE SET, SHIMMED, LEVELED AND PLUMB W/ ADJOINING BASE CABINETS.
 - SET PRE-FINISHED SCRIBE MOLDING AT CABINET BULKHEADS AND AT ENDS (WHERE CABINETS MEET DRYWALL.) PRE-FINISHED SCRIBE MOLDING SHALL BE USED TO PAD OUT CABINET SIDES AT STILE FOR RETURN PIECES OF THE FACE-MOUNTED CABINET CROWN MOLDING.
 - HARDWARE INSTALL NOTE: KNOBS GO ON DOORS AND DRAWERS FOR ALL AREAS. ALL DRAWER FRONTS AND DOORS GET (1) KNOB/ PULL. NO HARDWARE ON FALSE DRAWER FRONTS.



3 LAUNDRY CABINET PLAN / KC - 3503
SCALE: 3/8" = 1'-0"

6 CABINET ELEVATION
SCALE: 3/8" = 1'-0"

2 COUNTERTOP LAYOUT KC-3501
SCALE: 3/8" = 1'-0"

1 CABINET LAYOUT KC-3501
SCALE: 3/8" = 1'-0"

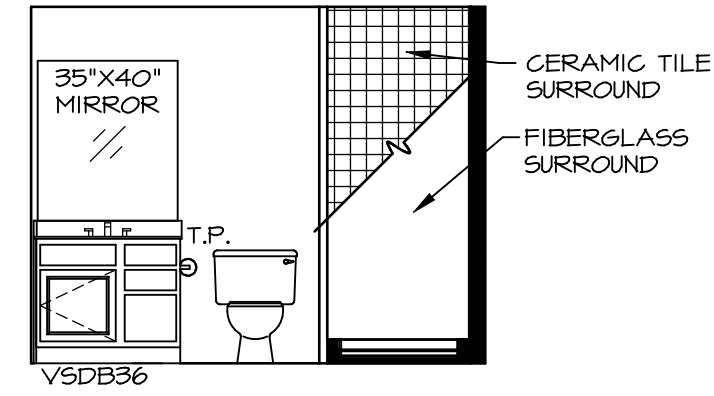
BIV-COMM-LOT-UNIT
DCY-YG-T609
COMM-LOT
VILLES OF WINDING CREEK WARR CO - T609
STREET ADDRESS
1175 WINDING RUN BOULEVARD
CITY STATE ZIP
CENTERVILLE OH 45459

© NVR, Inc. expressly reserves the right to modify or amend these plans at any time without notice. These plans are not to be reproduced, changed or altered in any way without the written consent of NVR, Inc.

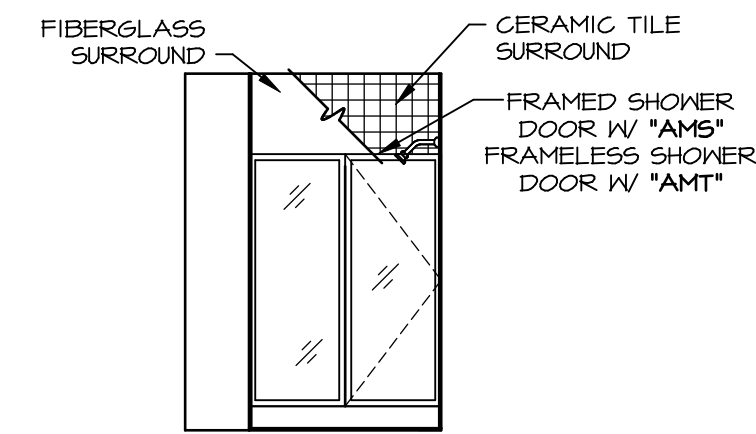
NVR
NVR, Inc. Suite 100
Frederick, MD 21703

SET NO. LG-HOO
VERSION 01
DRAWN BY
DATE:
OPTION

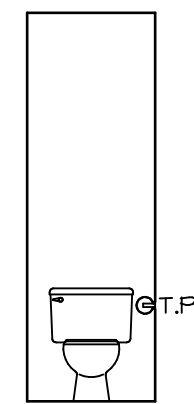
SHEET NO. **A-12**
MODEL **LEHIGH**
DRAWING TITLE **KITCHEN CABINET PLANS AND ELEVATIONS**
OPTION DESCRIPTION
54



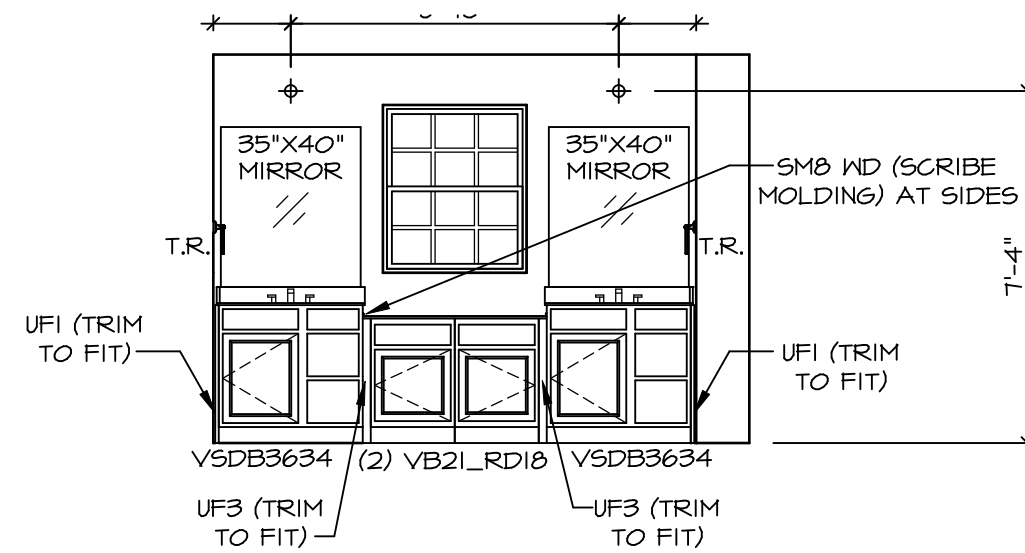
A BSMT BATH "AEB"
SCALE: 1/4" = 1'-0"



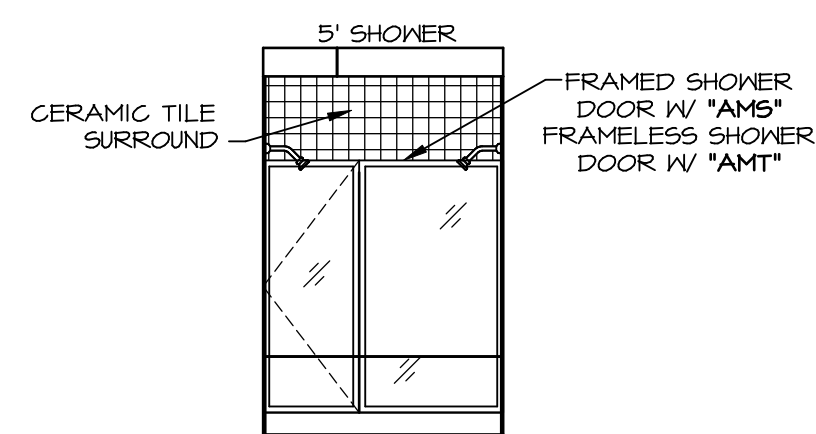
B BSMT BATH "AEB"
SCALE: 1/4" = 1'-0"



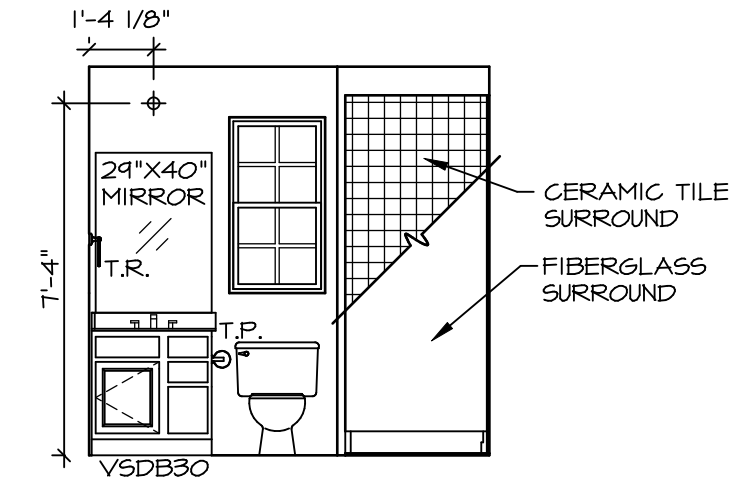
H OWNERS BATH
SCALE: 1/4" = 1'-0"



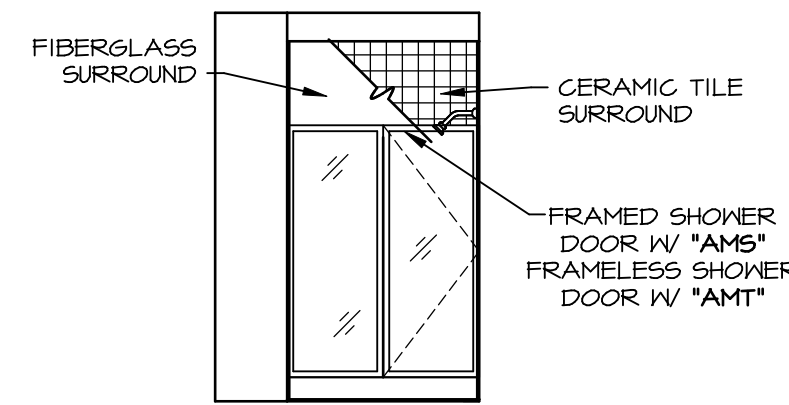
L OWNERS BATH
SCALE: 1/4" = 1'-0" OWNER'S BATHROOM ROMAN SHOWER "AMG"



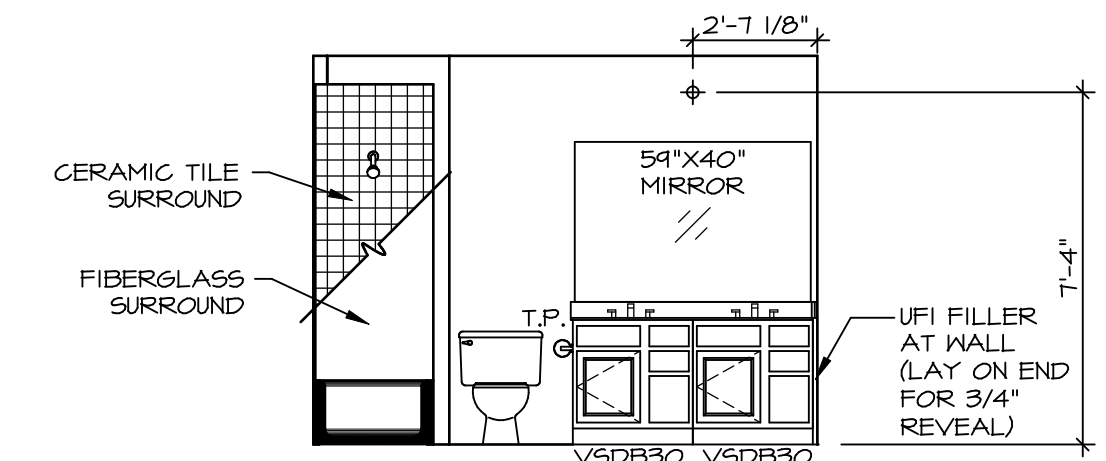
M OWNERS BATH
SCALE: 1/4" = 1'-0" OWNER'S BATHROOM ROMAN SHOWER "AMG"



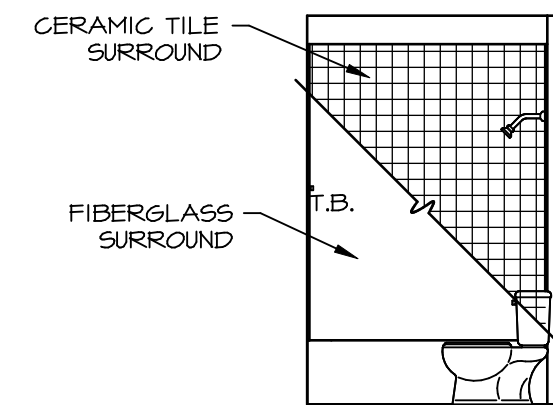
D FIRST FLOOR BATH
SCALE: 1/4" = 1'-0"



E FIRST FLOOR BATH
SCALE: 1/4" = 1'-0"



F BATH #1
SCALE: 1/4" = 1'-0"



G BATH #1
SCALE: 1/4" = 1'-0"

NOTES:

- TEMPERED GLASS SHOWER ENCLOSURE WITH SWING DOOR OR OPTIONAL SLIDING DOOR BY DIVISION
- TUB ACCESS PANELS PROVIDED AS NEEDED, ALL MATERIALS BY DIVISION
- REFER TO SHEET IT-2 FOR TUB AND SHOWER DETAILS.
- ALL V5DB24-42 DRAWERS TO BE SET ON RIGHT HAND.
- ALL BATH ELEVATIONS ARE SHOWN PER PLAN.

SHEET NO. A-13	MODEL LEHIGH	DRAWING TITLE BATH ELEVATIONS	SET NO. LGH00	VERSION 01	DRAWN BY	DATE:	OPTION
			OPTION DESCRIPTION				
57			DIV-COMM-LOT-UNIT DCY-V6-T609 COMM-LOT VLGGS OF WINDING CREEK WARR CO - T609 STREET ADDRESS 1175 WINDING RUN BOULEVARD CITY STATE OH ZIP CENTERVILLE OH 45459				
© NVR, Inc. expressly reserves the right to modify or change these plans without notice. These plans are not to be reproduced, changed or copied in any way without the written consent of NVR, Inc.			NVR, Inc. Suite 100 Frederick, MD 21703 5285 Walkersville Rd.				