

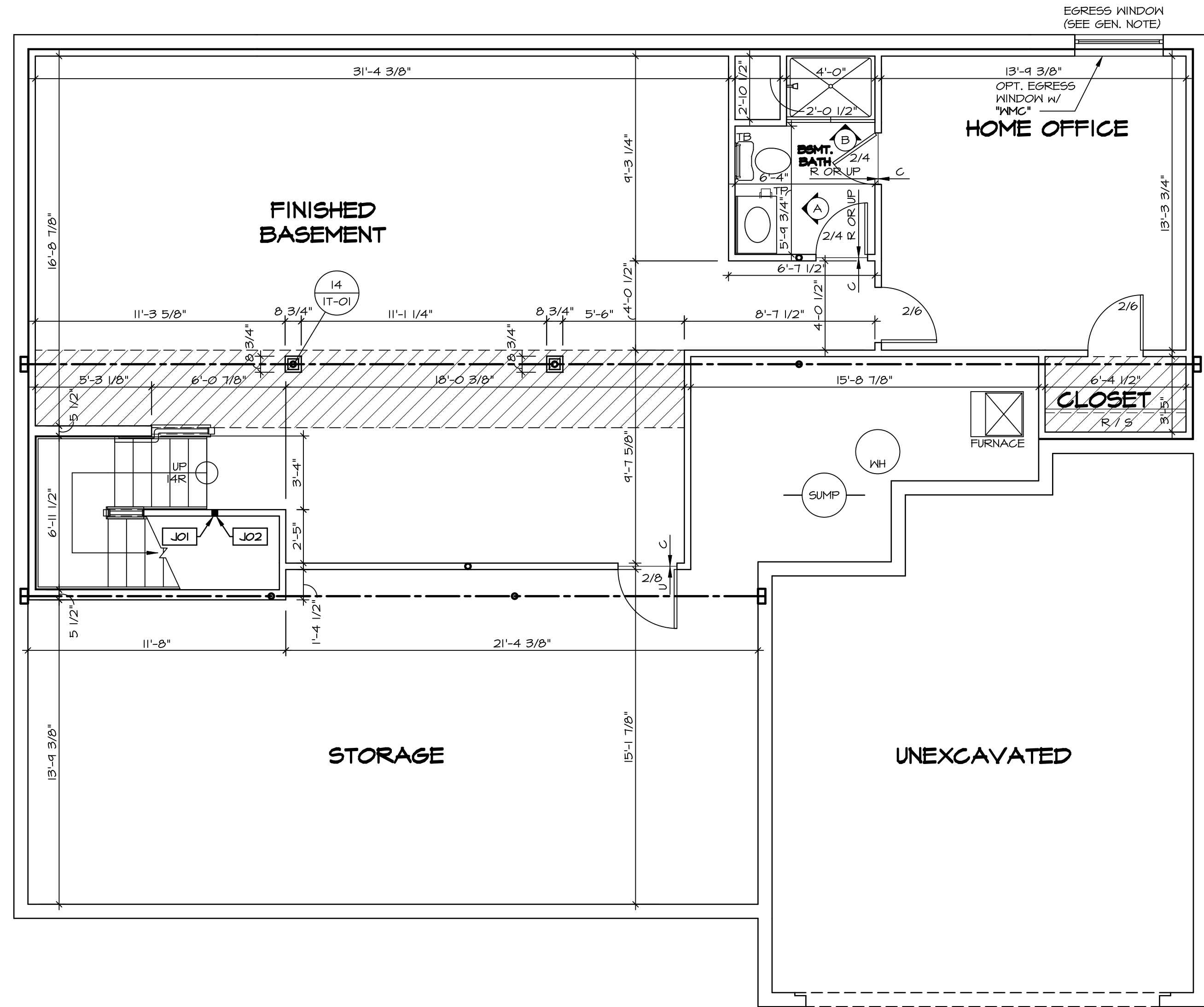
1  
A-5 PLUMBING PLAN  
SCALE: 1/4" = 1'-0"

SHEET NO. <b>A-5</b>	MODEL <b>NORMANDY</b>	SET NO. NRM00
OPTION <b>31</b>	DRAWING TITLE <b>PLUMBING PLAN</b>	VERSION 01
	OPTION DESCRIPTION	DRAWN BY RJC
		DATE 5/14/15

**NVR**  
NVR, Inc.  
Architectural Services  
5285 Westheimer Blvd, Suite 100  
Frederick, MD 21703

NVR, Inc., owner, expressly reserves its copyright in these plans. These plans are not to be reproduced, changed, copied, or otherwise used in any way without the written consent of NVR, Inc.

REV. NO.	DATE	REMARKS



**LEGEND**

- BEARING WALL
- NON BEARING WALL
- INDICATES BEARING FROM POINT-LOAD ABOVE
- JACKS
- BEAM/HEADER
- PAD FOOTING
- STEEL COLUMN
- PORTAL FRAME
- JOIST/TRUSS
- LVL
- ENGINEERING PAGE NUMBER

SEE FC DETAILS FOR FRAMING CONNECTORS

- FLOOR PLAN NOTES**
- ALL HEADERS ARE (2) 2x6 w/ 2x4 WALLS OR (3) 2x6 w/ 2x6 WALLS, UNLESS OTHERWISE NOTED.
  - ALL EXTERIOR WALLS TO BE 4" AND ALL INTERIOR WALLS TO BE 3 1/2", UNLESS OTHERWISE NOTED.
  - HATCHED AREAS INDICATE DROPPED CEILINGS. ALL DROPPED CEILINGS ARE 12" UNLESS OTHERWISE NOTED.
  - SEE "BRACED WALL PANEL DETAIL SHEET" FOR SPECIAL WALL FRAMING LOCATIONS AND HEADER SIZES, IF APPLICABLE.
  - SEE STANDARD DETAIL CATEGORY "IT" SHEET(S) FOR INTERIOR TRIM DETAILS.
  - SEE ARCHITECTURAL DETAIL SHEET "AD" FOR HOUSE SPECIFIC INTERIOR TRIM OPTION TABLE.
  - ALL WINDOWS HAVE 7'-0 1/2" HEADER HEIGHT UNLESS OTHERWISE NOTED.

- GYPSON NOTES**
- AT GARAGE:  
GYPSON BOARD AT COMMON WALLS, CEILINGS, BEAM WRAPS AND SUPPORTS PER STANDARD DETAIL FA-1(b) FIRE ASSEMBLIES OR AS REQUIRED BY LOCAL CODE.
- AT STAIRS:  
1/2" GYPSON BOARD AT UNDERSIDE OF STAIRS AND WALLS IN CLOSET

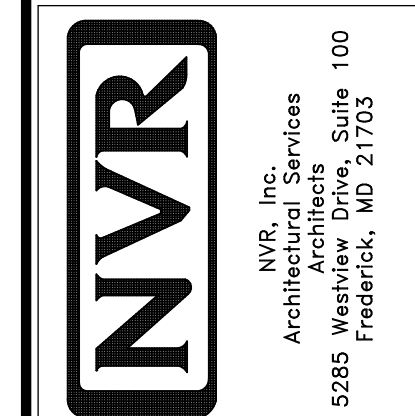
**BASEMENT JACK SCHEDULE**

IDENTIFIER	DESCRIPTION	OPTIONS	ENG. NUM.	REMARKS
JO1	JACK - 2x4 SFF STUD GRADE		B10	
JO2	JACK - 2x4 SFF STUD GRADE		B22	

**REMARKS**

REV. NO.	DATE	DESCRIPTION
1	08/07/16	NL - DRAWING ALIGNMENT
2	11/05/16	TH - STANDARD DETAILS 3.0
3	4/20/17	SFK - ADDED BASEMENT FLOOR PLAN JACK SCHEDULE

NVR, Inc., owner, expressly reserves its copyright in these plans. These plans are not to be reproduced, changed, copied in any way, or used for any other project without the written consent of NVR, Inc.

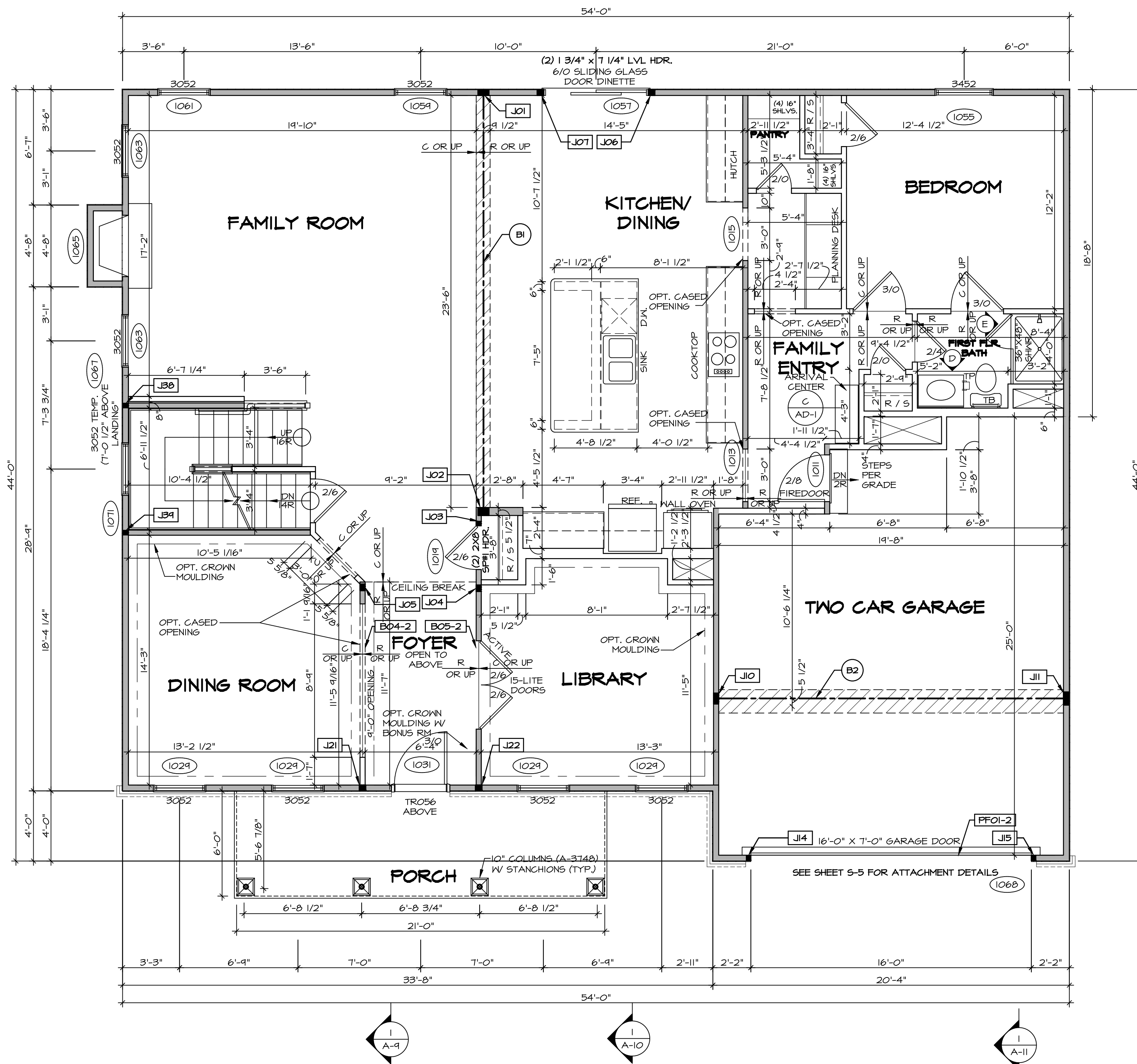


SET NO. NRM00  
VERSION 01  
DRAWN BY SGA  
DATE: 6/29/15  
OPTION

MODEL: NORMANDY  
DRAWING TITLE: BASEMENT FLOOR PLAN  
OPTION DESCRIPTION

SHEET NO. A-6  
34

**BASEMENT FLOOR PLAN**  
SCALE: 1/4" = 1'-0"



**FIRST FLOOR PLAN**  
SCALE: 1/4" = 1'-0"

**LEGEND**

- BEARING WALL
- NON BEARING WALL
- INDICATES BEARING FROM POINT-LOAD ABOVE
- JACKS
- BEAM/HEADER
- PAD FOOTING
- STEEL COLUMN
- PORTAL FRAME
- JOIST/TRUSS
- LVL
- ENGINEERING PAGE NUMBER

SEE FC DETAILS FOR FRAMING CONNECTORS

- FLOOR PLAN NOTES** RYAN
- ALL HEADERS ARE (2) 2x6 w/ 2x4 WALLS OR (3) 2x6 w/ 2x6 WALLS, UNLESS OTHERWISE NOTED.
  - ALL HEADERS TO HAVE (1) 2x4 OR 2x6 JACK AND KING STUD EACH END, UNLESS OTHERWISE NOTED.
  - ALL EXTERIOR WALLS TO BE 4" w/ OSB OR 3 1/2" w/ T-PLY, ALL INTERIOR WALLS TO BE 3 1/2", UNLESS OTHERWISE NOTED.
  - HATCHED AREAS INDICATE DROPPED CEILINGS. ALL DROPPED CEILINGS ARE 12" UNLESS OTHERWISE NOTED.
  - SEE "BRACED WALL PANEL DETAIL SHEET" FOR SPECIAL WALL FRAMING LOCATIONS AND HEADER SIZES, IF APPLICABLE.
  - SEE STANDARD DETAIL CATEGORY "IT" SHEET(S) FOR INTERIOR TRIM DETAILS.
  - SEE ARCHITECTURAL DETAIL SHEET "AD" FOR HOUSE SPECIFIC INTERIOR TRIM OPTION TABLE.
  - ALL WINDOWS HAVE 7'-0 1/2" HEADER HEIGHT UNLESS OTHERWISE NOTED.
  - ALL HEADERS IN NON-BEARING WALLS SHALL BE A SINGLE FLAT 2X4 OR 2X6 ATTACHED TO CRIPPLES ABOVE, UNLESS OTHERWISE NOTED.

- GYPSUM NOTES** RYAN
- AT GARAGE:**  
GYPSUM BOARD AT COMMON WALLS, CEILINGS, BEAM WRAPS AND SUPPORTS PER STANDARD DETAIL FA-1(b) FIRE ASSEMBLIES OR AS REQUIRED BY LOCAL CODE.
- AT STAIRS:**  
1/2" GYPSUM BOARD AT UNDERSIDE OF STAIRS AND WALLS IN CLOSET

**LVL PLY TO PLY FASTENING SCHEDULE:** (WHERE APPLICABLE BASED ON LVL USAGE)

- 1A - (2) PLY UP TO AND INCLUDING II 7/8" TALL; FASTEN PLYS W/ (2) ROWS 16D NAILS AT 12" O.C.
- 2A - (2) PLY 14" TO AND 18" TALL (INCLUSIVE); FASTEN PLYS W/ (3) ROWS 16D NAILS AT 12" O.C.
- 3A - (2) PLY 20" TALL AND OVER; FASTEN PLYS W/ (4) ROWS 16D NAILS AT 12" O.C.
- 4A - (3) PLY UP TO AND INCLUDING II 7/8" TALL; FASTEN PLYS W/ (2) ROWS 16D NAILS AT 12" O.C. FROM EACH SIDE
- 5A - (3) PLY 14" TO AND 18" TALL (INCLUSIVE); FASTEN PLYS W/ (3) ROWS 16D NAILS AT 12" O.C. FROM EACH SIDE
- 6A - (3) PLY 20" TALL AND OVER; FASTEN PLYS W/ (4) ROWS 16D NAILS AT 12" O.C. FROM EACH SIDE
- 7A - (4) PLY (ALL SIZES); FASTEN PLYS W/ (2) ROWS 1/2" DIAMETER A307 BOLTS AT 24" O.C. SEE SHOP DRAWING FOR ADDITIONAL INFORMATION.

**FIELD INSTALLED FIRST FLOOR BEAM/HEADER SCHEDULE**

IDENTIFIER	DESCRIPTION	LENGTH	OPTIONS	ENG. NUM.	REMARKS
B04-2	LVL - II-14	11'-4 1/16"	SRM, SQK, SOL, ELA, ELK	1017	1A
B05-2	LVL - II-14	11'-8 1/2"	SRM, SQK, SOL, ELA, ELK	1017	1A
B1	BEAM STEEL - W12X35	24'-2"	SRI	1021	
B2	BEAM STEEL - W12X26	20'-2 1/2"	SRI	1022	
PF01-2	LVL - II-04	20'-0"	6CB	1043	PORTAL FRAME, 1A

**FIRST FLOOR JACK SCHEDULE**

IDENTIFIER	DESCRIPTION	OPTIONS	ENG. NUM.	REMARKS
J01	JACK - (5) 2X4 SP#11		1021	
J02	JACK - (5) 2X6 SP#11		1021	
J03	JACK - (2) 2X4 SP# STUD GRADE		1014	
J04	JACK - (3) 2X4 SP# STUD GRADE		1017	
J05	JACK - (3) 2X4 SP# STUD GRADE		1017	
J06	JACK - (3) 2X4 SP# STUD GRADE		1057	
J07	JACK - (3) 2X4 SP# STUD GRADE		1057	
J10	JACK - (5) 2X4 SP#11	SRI	1023	
J11	JACK - (6) 2X4 SP#11	6CB5XC	1023	
J14	JACK - (2) 2X4 SP# STUD GRADE	6CB, 6CF	1043	
J15	JACK - (2) 2X4 SP# STUD GRADE	6CB, 6CF	1043	
J14	JACK - (2) 2X4 SP# STUD GRADE	6CB, 6CF	1043	
J21	JACK - (3) 2X4 SP# STUD GRADE	SRM, SQK, SOL, ELA, ELB, ELK	1017	
J22	JACK - (3) 2X4 SP# STUD GRADE	SRM, SQK, SOL, ELA, ELB, ELK	1017	
J30	JACK - (2) 2X4 SP# STUD GRADE		1007	
J34	JACK - (2) 2X4 SP# STUD GRADE		1007	

**REMARKS**

REV. NO.	DATE	DESCRIPTION
1	08/07/16	N - DRAWING ALIGNMENT
2	11/05/16	TM - STANDARD DETAILS 3.0
3	07/17/17	SL5 - T-PLY CONVERSION PROJECT

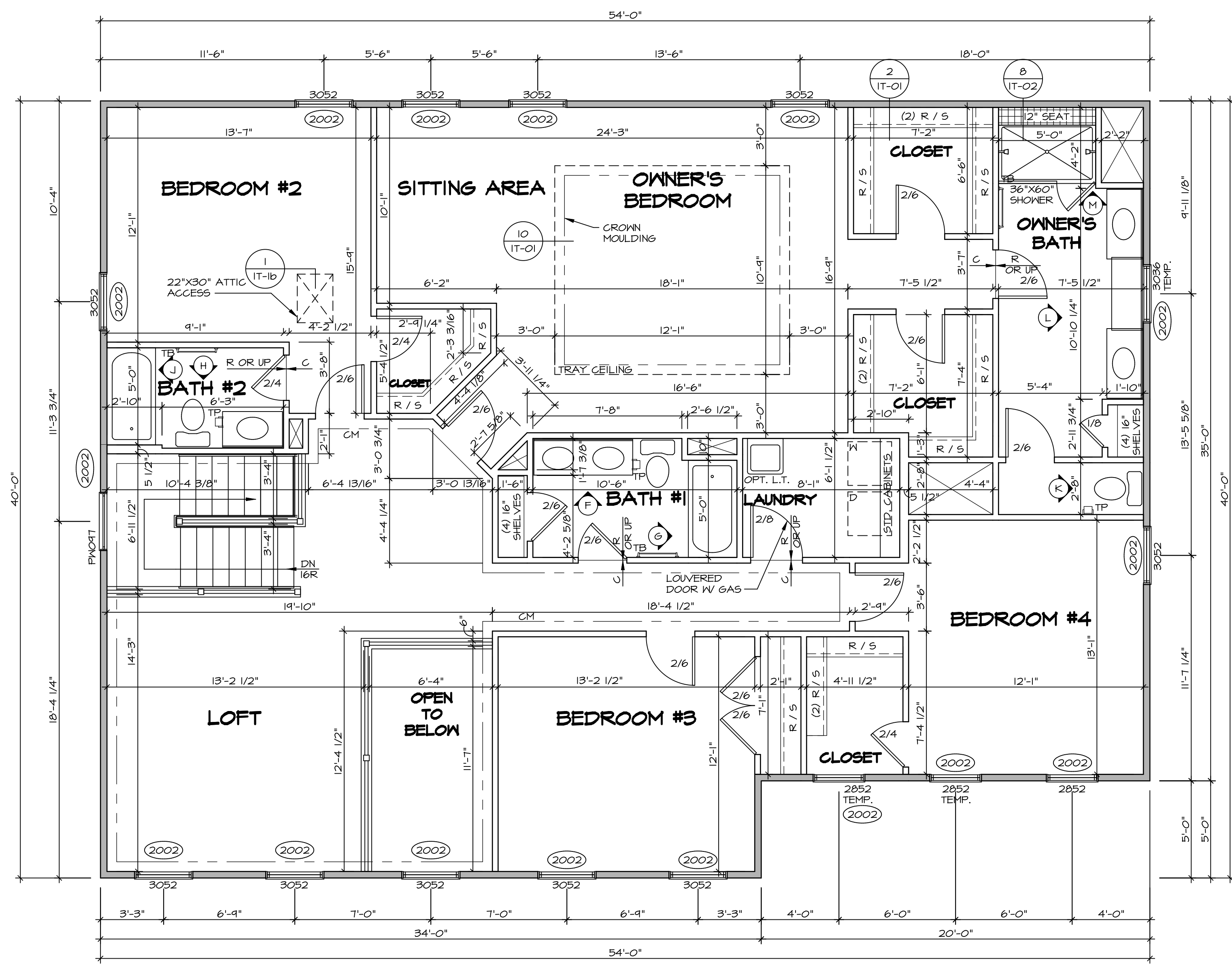
**SET NO. NRM000**  
**VERSION 01**  
**DRAWN BY SGA**  
**DATE: 6/29/15**  
**OPTION**

**NORMANDY ARCHITECTS**  
Architectural Services  
Suite 100  
5285 Westgate Drive  
Frederick, MD 21703

**A-7**

**35**

C:\NVA\Solves\NORMANDY\_ARCH00\_01\DCI-VG-1610\1204429\Sheets\Lot\_Specific\35\_A-7\_FLN1\_US.dwg 04/25/19 - 7:03 am



**LEGEND**

- BEARING WALL
- NON BEARING WALL
- INDICATES BEARING FROM POINT-LOAD ABOVE
- JACKS
- BEAM/HEADER
- PAD FOOTING
- STEEL COLUMN
- PORTAL FRAME
- JOIST/TRUSS
- LVL
- ENGINEERING PAGE NUMBER

SEE FC DETAILS FOR FRAMING CONNECTORS

- FLOOR PLAN NOTES** RYAN
- ALL HEADERS ARE (2) 2x6 w/ 2x4 WALLS OR (3) 2x6 w/ 2x6 WALLS, UNLESS OTHERWISE NOTED.
  - ALL HEADERS TO HAVE (1) 2x4 OR 2x6 JACK AND KING STUD EACH END, UNLESS OTHERWISE NOTED.
  - ALL EXTERIOR WALLS TO BE 4" w/ OSB OR 3 1/2" w/ T-PLY, ALL INTERIOR WALLS TO BE 3 1/2", UNLESS OTHERWISE NOTED.
  - HATCHED AREAS INDICATE DROPPED CEILINGS. ALL DROPPED CEILINGS ARE 12" UNLESS OTHERWISE NOTED.
  - SEE "BRACED WALL PANEL DETAIL SHEET" FOR SPECIAL WALL FRAMING LOCATIONS AND HEADER SIZES, IF APPLICABLE.
  - SEE STANDARD DETAIL CATEGORY "11" SHEET(S) FOR INTERIOR TRIM DETAILS.
  - SEE ARCHITECTURAL DETAIL SHEET "AD" FOR HOUSE SPECIFIC INTERIOR TRIM OPTION TABLE.
  - ALL WINDOWS HAVE 7'-0 1/2" HEADER HEIGHT UNLESS OTHERWISE NOTED.
  - ALL HEADERS IN NON-BEARING WALLS SHALL BE A SINGLE FLAT 2x4 OR 2x6 ATTACHED TO CRIPPLES ABOVE, UNLESS OTHERWISE NOTED.

**SECOND FLOOR JACK SCHEDULE**

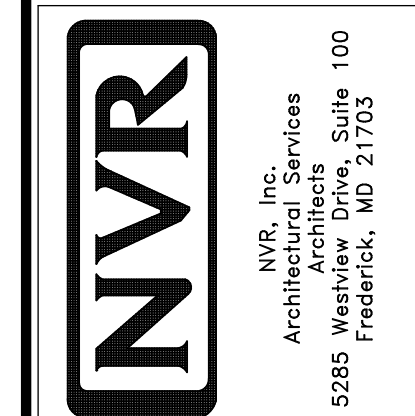
IDENTIFIER	DESCRIPTION	OPTIONS	ENG. NUM.	REMARKS

**SECOND FLOOR PLAN**  
SCALE: 1/4" = 1'-0"

REMARKS

REV. NO.	DATE	DESCRIPTION
1	08/07/16	NL - DRAWING ALIGNMENT
2	11/05/16	TH - STANDARD DETAILS 3.0
3	07/17/17	SL5 - T-PLY CONVERSION PROJECT

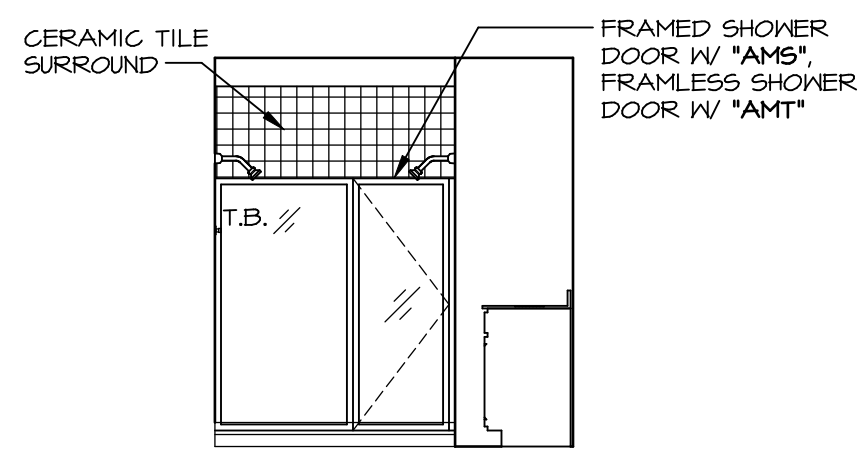
NVR, Inc., owner, expressly reserves its copyright in these plans. These plans are not to be reproduced, changed, copied, or otherwise used in any way without the written consent of NVR, Inc.



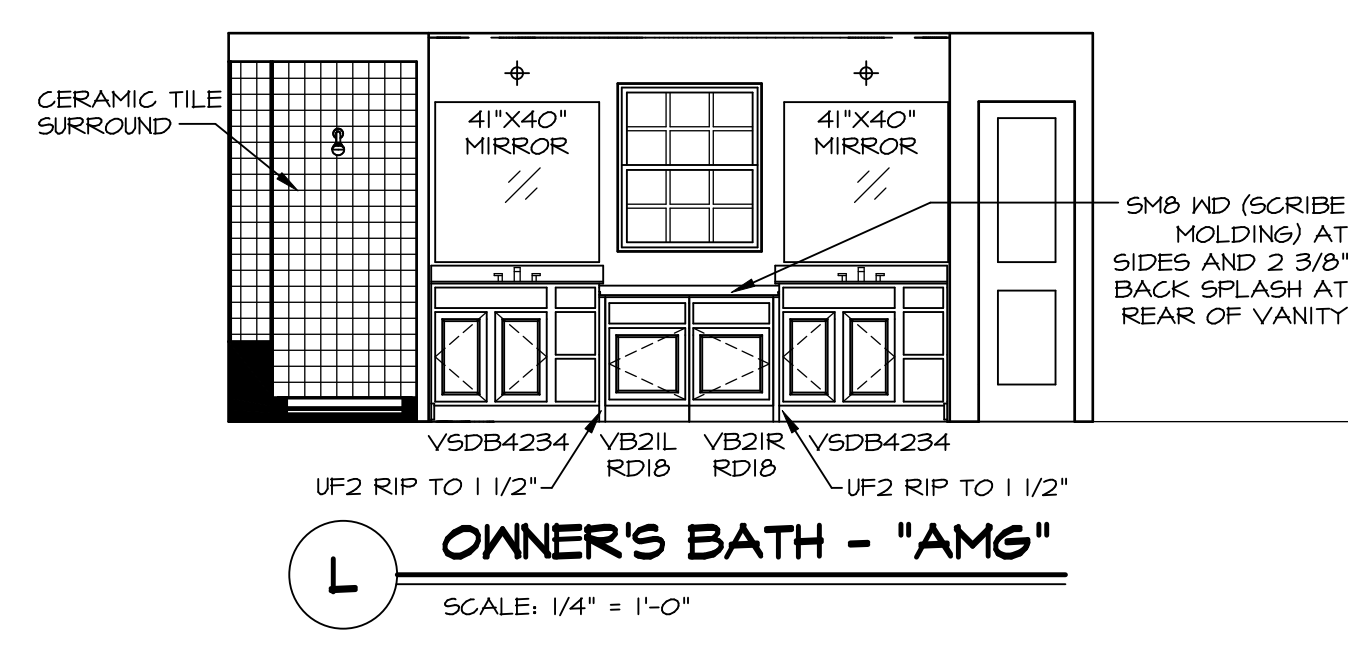
SET NO. NRM00	VERSION 01
DRAWN BY SGA	DATE: 6/29/15
OPTION	

MODEL	NORMANDY
DRAWING TITLE	SECOND FLOOR PLAN
OPTION DESCRIPTION	

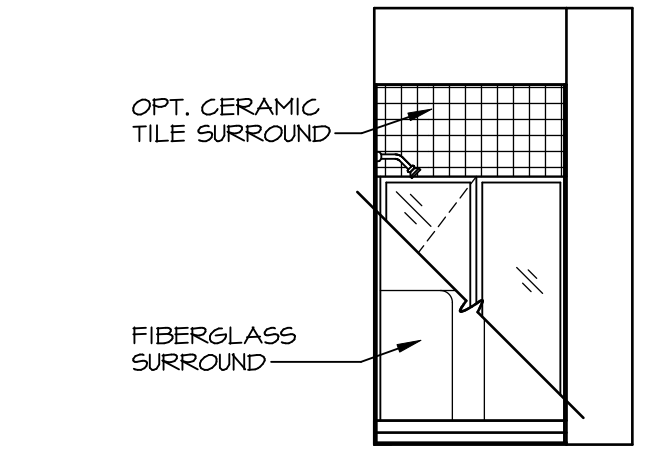




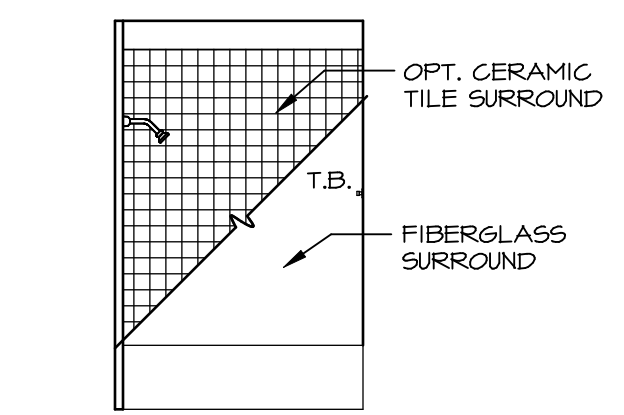
**M** OWNER'S BATH - "AMG"  
SCALE: 1/4" = 1'-0"



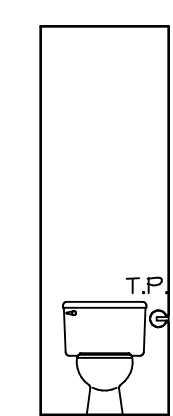
**L** OWNER'S BATH - "AMG"  
SCALE: 1/4" = 1'-0"



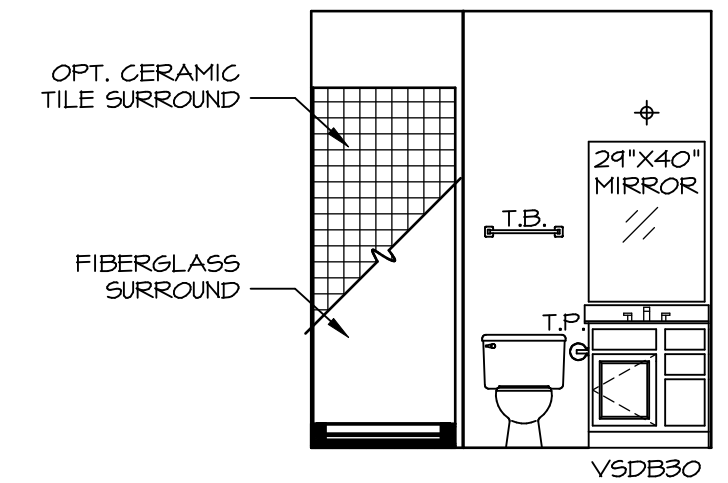
**E** FIRST FLOOR BATH - "BAR"  
SCALE: 1/4" = 1'-0"



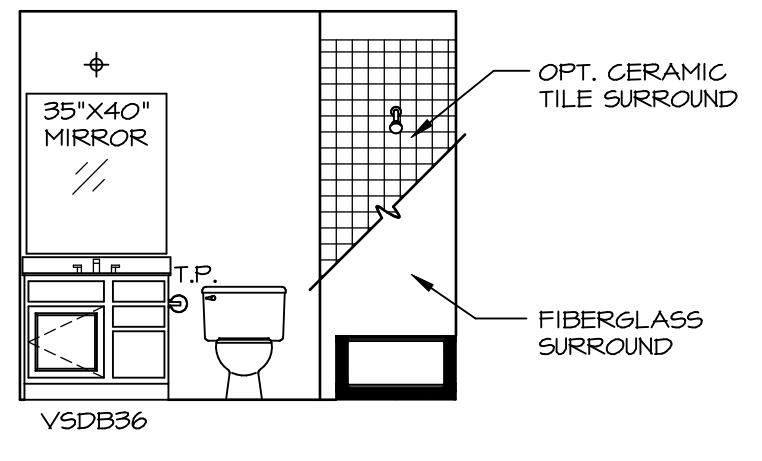
**J** BATH #2  
SCALE: 1/4" = 1'-0"



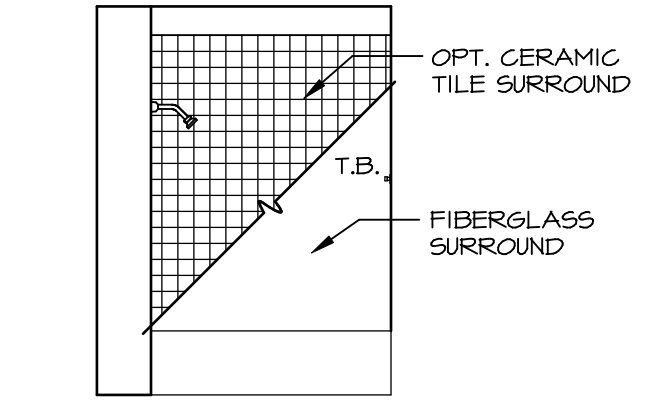
**K** OWNER'S BATH - "AMA" OR "AMG"  
SCALE: 1/4" = 1'-0"



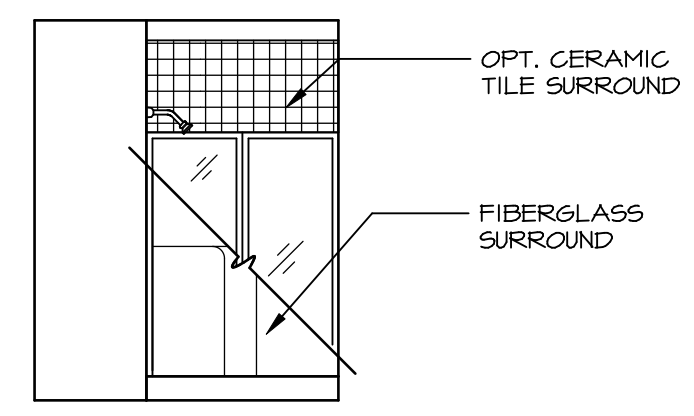
**D** FIRST FLOOR BATH - "BAR"  
SCALE: 1/4" = 1'-0"



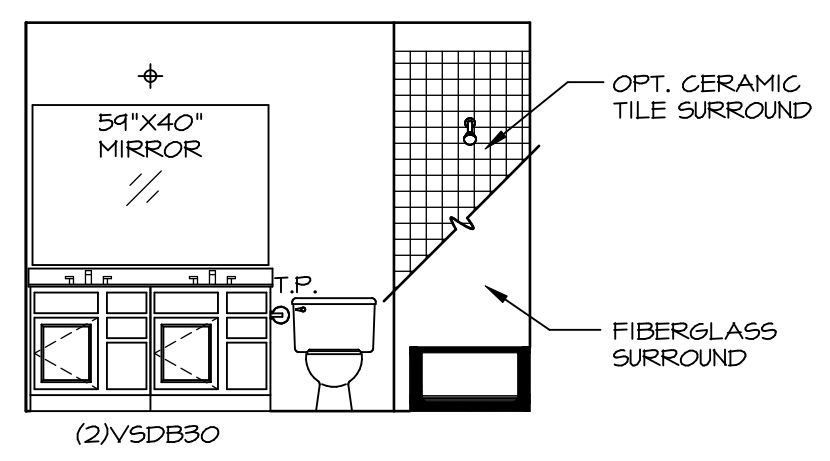
**H** BATH #2  
SCALE: 1/4" = 1'-0"



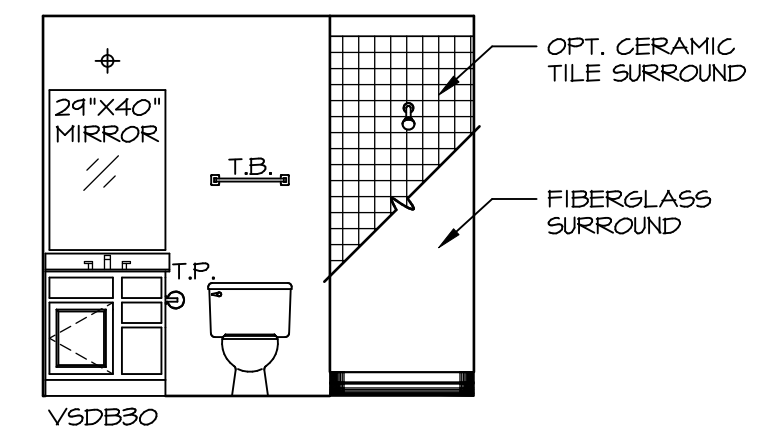
**G** BATH #1  
SCALE: 1/4" = 1'-0"



**B** BASEMENT BATH - "AEB"  
SCALE: 1/4" = 1'-0"



**F** BATH #1  
SCALE: 1/4" = 1'-0"



**A** BASEMENT BATH - "AEB"  
SCALE: 1/4" = 1'-0"

- NOTES:**
1. TEMPERED GLASS SHOWER ENCLOSURE WITH SWING DOOR OR OPTIONAL SLIDING DOOR BY DIVISION
  2. TUB ACCESS PANELS PROVIDED AS NEEDED, ALL MATERIALS BY DIVISION
  3. REFER TO SHEET (IT-2) FOR TUB AND SHOWER DETAILS.
  4. ALL V5DB24-42 DRAWERS TO BE SET ON RIGHT HAND.
  5. BATH ELEVATIONS ARE SHOWN PER PLAN.

REV. NO.	DATE	REMARKS
1	08/07/16	N.L. - DRAWING ALIGNMENT
2	11/05/16	TRV. - STANDARD DETAILS 5.0

NVR, Inc., owner, expressly reserves its copyright in these plans. These plans are not to be reproduced, changed, copied, or otherwise used in any way without the written consent of NVR, Inc.

**NVR**  
NVR, Inc.  
Architectural Services  
Architects  
5285 Westpark Drive, Suite 100  
Frederick, MD 21703

SET NO. NRM00	VERSION 01
DRAWN BY SGA	DATE: 5/29/15
OPTION	

MODEL NORMANDY	DRAWING TITLE BATH ELEVATIONS
SHEET NO. A-14	OPTION DESCRIPTION