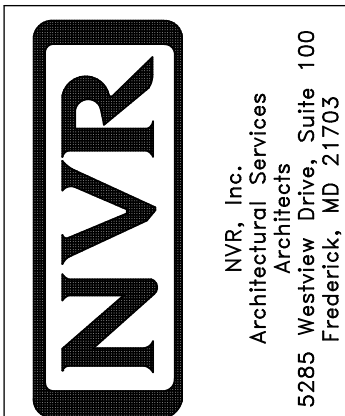


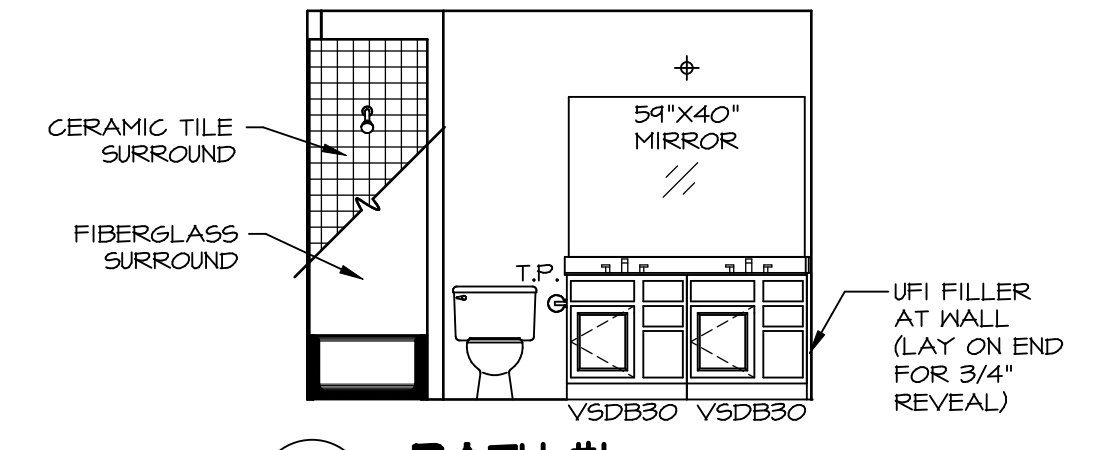
NOTE
 RADON REMEDIATION
 RADON LOOP:
 - (4") PERFORATED HDPE "LOOP"
 - MUST BE PLACED IN STONE BED SLIGHTLY HIGHER THAN ANY INTERIOR DRAINTILE
 - LOOP TO BE SEPARATE FROM ANY DRAINTILE ELEMENTS
 - TO BE CORRUGATED HDPE PIPE
 - SCREENS TO BE INSTALLED THROUGH LOOP AT TEE UP INTO STACK
 STACK REQUIREMENTS:
 - 3" PVC STACK (4" IF BASEMENT IS GREATER THAN 2200 SQFT.)
 - NO PART OF STACK IS TO BE HORIZONTAL
 - PIPE TO BE PHYSICALLY LABELED IN THE FIELD AS "RADON VENT" OR OTHER
 JURISDICTIONALLY REQUIRED LANGUAGE (ON EVERY LEVEL OF HOUSE)
 - ROOF TERMINATION TO BE IN TOP 1/3 OF ROOF
 - SCREEN INSTALLED TO KEEP PESTS OUT OF RADON VENT AT ROOF TERMINATION

PLUMBING PLAN
 SCALE: 1/4" = 1'-0"

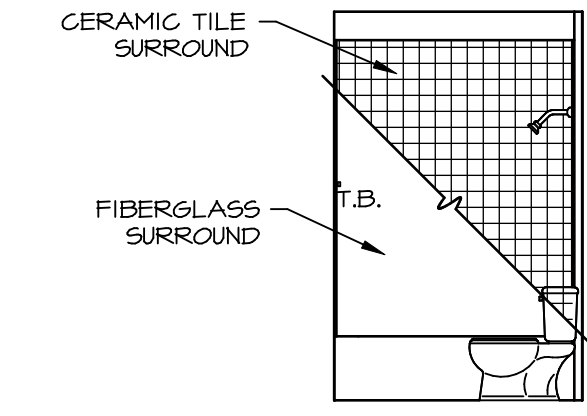
SHEET NO. A-5	MODEL LEHIGH	SET NO. LGH00	REVISIONS	REV. NO.	DATE	REMARKS
	DRAWING TITLE PLUMBING PLAN	VERSION 01	DRAWN BY			
OPTION DESCRIPTION 25			DATE:			
			OPTION			



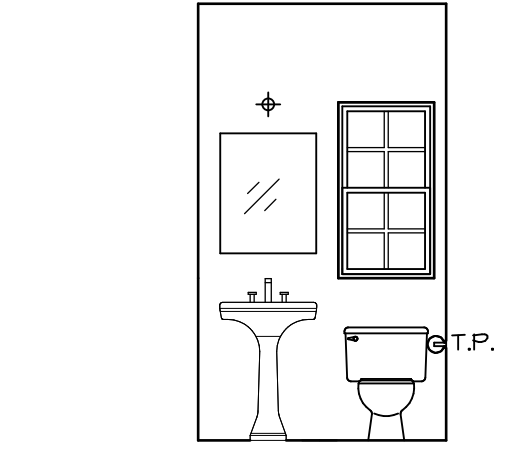
NVR, Inc., owner, expressly reserves its copyright in these plans. These plans are not to be reproduced, changed, adapted, or otherwise used in any way without the written consent of NVR, Inc.



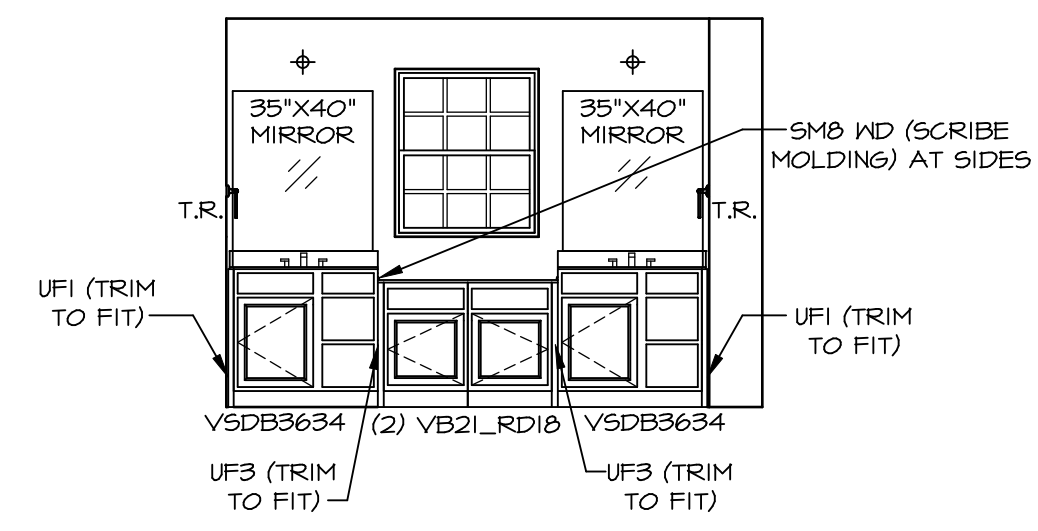
F BATH #1
SCALE: 1/4" = 1'-0"



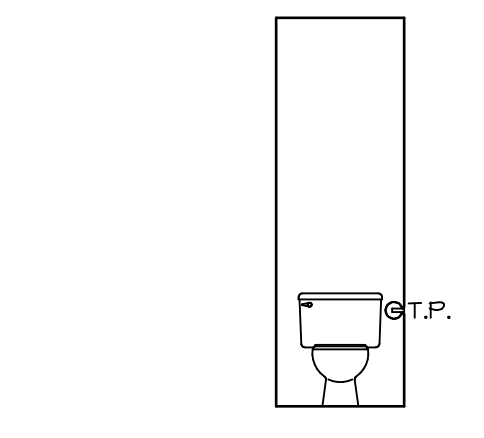
G BATH #1
SCALE: 1/4" = 1'-0"



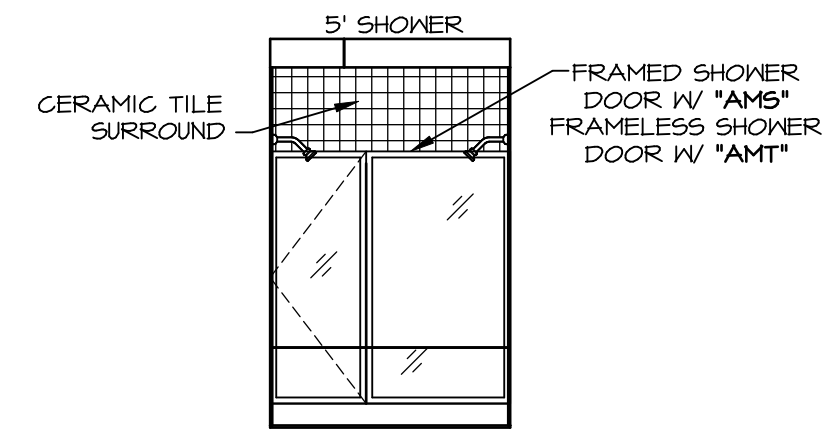
C POWDER ROOM
SCALE: 1/4" = 1'-0" RECT. BOXL "SZC"



L OWNERS BATH
SCALE: 1/4" = 1'-0" OWNERS BATHROOM ROMAN SHOWER "AM6"



H OWNERS BATH
SCALE: 1/4" = 1'-0"



M OWNERS BATH
SCALE: 1/4" = 1'-0" OWNERS BATHROOM ROMAN SHOWER "AM6"

NOTES:

- TEMPERED GLASS SHOWER ENCLOSURE WITH SWING DOOR OR OPTIONAL SLIDING DOOR BY DIVISION NEEDED, ALL MATERIALS BY DIVISION
- TUB ACCESS PANELS PROVIDED AS NEEDED, ALL MATERIALS BY DIVISION
- REFER TO SHEET IT-2 FOR TUB AND SHOWER DETAILS.
- ALL V5DB24-42 DRAWERS TO BE SET ON RIGHT HAND.
- ALL BATH ELEVATIONS ARE SHOWN PER PLAN.

SHEET NO. A-13	MODEL LEHIGH	SET NO. LGH00	REVISIONS
		VERSION 01	REMARKS
DRAWN BY BATH ELEVATIONS	OPTION DESCRIPTION	DATE:	REV. NO. DATE
		OPTION	
57			

NVR, Inc., owner, expressly reserves its copyright in these plans. These plans are not to be reproduced, changed, copied, or otherwise used in any way without the written consent of NVR, Inc.

