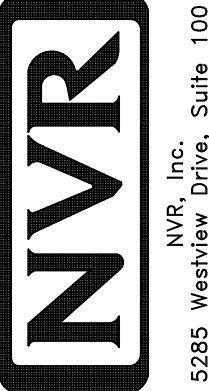
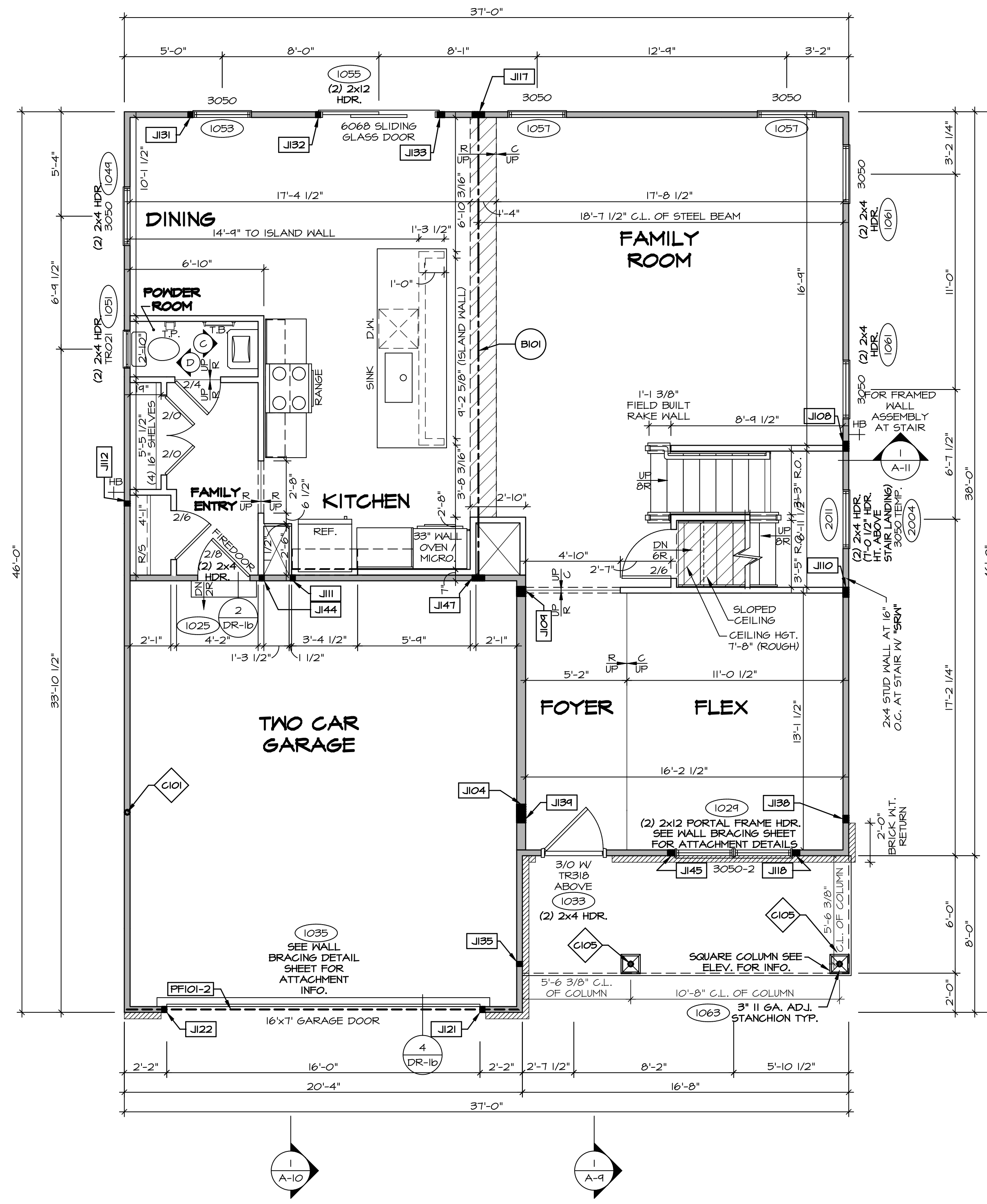


**PLUMBING PLAN**  
SCALE: 1/4" = 1'-0"

**NOTE**  
RADON REMEDIATION  
RADON LOOP:  
- (4") PERFORATED HDPE "LOOP"  
- MUST BE PLACED IN STONE BED SLIGHTLY HIGHER THAN ANY INTERIOR DRAINTILE  
- LOOP TO BE SEPARATE FROM ANY DRAINTILE ELEMENTS  
- TO BE CORRUGATED HDPE PIPE  
- SCREWS TO BE INSTALLED THROUGH LOOP AT TEE UP INTO STACK  
STACK REQUIREMENTS:  
- 3" PVC STACK (4" IF BASEMENT IS GREATER THAN 2200 SQFT.)  
- NO PART OF STACK IS TO BE HORIZONTAL  
- PIPE TO BE PHYSICALLY LABELED IN THE FIELD AS "RADON VENT" OR OTHER JURISDICTIONALLY REQUIRED LANGUAGE (ON EVERY LEVEL OF HOUSE)  
- ROOF TERMINATION TO BE IN TOP 1/3 OF ROOF  
- SCREEN INSTALLED TO KEEP PESTS OUT OF RADON VENT AT ROOF TERMINATION

SHEET NO. <b>A-5</b>	MODEL <b>COLUMBIA</b>	SET NO. CLM00	VERSION 01
		DRAWING TITLE <b>PLUMBING PLAN</b>	DRAWN BY <b>JAB</b>
23	OPTION DESCRIPTION	DATE:	OPTION
		OPTION	
 NVR, Inc. Suite 100 Frederick, MD 21703		© NVR, Inc. expressly reserves the right to modify or amend these plans at any time without notice. These plans are not to be reproduced, changed or copied in any way without the written consent of NVR, Inc.	
DIV-COMM-LOT-UNIT <b>DCY-V6-T637</b>		COMM-LOT VILLES OF MINDING CREEK WARR CO - T637	
STREET ADDRESS 20719 RUNNING STREAM CT		CITY CENTERVILLE	STATE OH
APT. NO. -----		ZIP 45459	





**FIRST FLOOR PLAN**  
SCALE: 1/4" = 1'-0"

**LEGEND**

- BEARING WALL
- NON BEARING WALL
- INDICATES BEARING FROM POINT-LOAD ABOVE
- JACKS
- BEAM/HEADER
- PAD FOOTING
- STEEL COLUMN
- PORTAL FRAME
- JOIST/TRUSS
- LVL
- ENGINEERING PAGE NUMBER

SEE FC DETAILS FOR FRAMING CONNECTORS

- FLOOR PLAN NOTES**
- ALL HEADERS ARE (2) 2x6 W/ 2x4 WALLS OR (3) 2x6 W/ 2x6 WALLS, UNLESS OTHERWISE NOTED.
  - ALL HEADERS TO HAVE (1) 2x4 OR 2x6 JACK AND KING STUD EACH END, UNLESS OTHERWISE NOTED.
  - ALL EXTERIOR WALLS TO BE 4" W/ OSB OR 3 1/2" W/ T-PLY, ALL INTERIOR WALLS TO BE 3 1/2", UNLESS OTHERWISE NOTED.
  - HATCHED AREAS INDICATE DROPPED CEILINGS. ALL DROPPED CEILINGS ARE 12" UNLESS OTHERWISE NOTED.
  - SEE "BRACED WALL PANEL DETAIL SHEET" FOR SPECIAL WALL FRAMING LOCATIONS AND HEADER SIZES, IF APPLICABLE.
  - SEE STANDARD DETAIL CATEGORY "IT" SHEET(S) FOR INTERIOR TRIM DETAILS.
  - SEE ARCHITECTURAL DETAIL SHEET "AD" FOR HOUSE SPECIFIC INTERIOR TRIM OPTION TABLE.
  - ALL WINDOWS HAVE T-O 1/2" HEADER HEIGHT UNLESS OTHERWISE NOTED.
  - ALL HEADERS IN NON-BEARING WALLS SHALL BE A SINGLE FLAT 2x4 OR 2x6 ATTACHED TO GRIPPLIES ABOVE, UNLESS OTHERWISE NOTED.
  - TANKED WATER HEATER SHOWN AS BASE CONDITION, OPTIONAL TANKLESS WATER HEATER IS AVAILABLE IN LIEU OF TANKED WATER HEATER.

- GYPSUM NOTES**
- AT GARAGE:  
GYPSUM BOARD AT COMMON WALLS, CEILINGS, BEAM WRAPS AND SUPPORTS PER STANDARD DETAIL FA-1(b) FIRE ASSEMBLIES OR AS REQUIRED BY LOCAL CODE.
- AT STAIRS:  
1/2" GYPSUM BOARD AT UNDERSIDE OF STAIRS AND WALLS IN CLOSET

**NOTE:**  
EXTERIOR WALLS DRAIN TO FRAMING WIDTH, EXTERIOR SHEATHING IS NOT INCLUDED IN WALL THICKNESS.

- LVL PLY TO PLY FASTENING SCHEDULE:** (WHERE APPLICABLE BASED ON LVL USAGE)
- (2) PLY UP TO AND INCLUDING 11 7/8" TALL; FASTEN PLYS W/ (2) ROWS 16D NAILS AT 12" O.C. OR ALT 1 1/2" WIDE LVL FASTEN PLYS W/ (3) ROWS 12D NAILS AT 12" O.C.
  - (2) PLY 14" TO AND 18" TALL (INCLUSIVE); FASTEN PLYS W/ (3) ROWS 16D NAILS AT 12" O.C. OR ALT 1 1/2" WIDE LVL FASTEN PLYS W/ (4) ROWS 12D NAILS AT 12" O.C.
  - (2) PLY 20" TALL AND OVER; FASTEN PLYS W/ (4) ROWS 16D NAILS AT 12" O.C. OR ALT 1 1/2" WIDE LVL FASTEN PLYS W/ (5) ROWS 12D NAILS AT 12" O.C.
  - (3) PLY UP TO AND INCLUDING 11 7/8" TALL; FASTEN PLYS W/ (2) ROWS 16D NAILS AT 12" O.C. FROM EACH SIDE OR ALT 1 1/2" WIDE LVL FASTEN PLYS W/ (3) ROWS 12D NAILS AT 12" O.C. FROM EACH SIDE.
  - (3) PLY 14" TO AND 18" TALL (INCLUSIVE); FASTEN PLYS W/ (3) ROWS 16D NAILS AT 12" O.C. FROM EACH SIDE OR ALT 1 1/2" WIDE LVL FASTEN PLYS W/ (4) ROWS 12D NAILS AT 12" O.C. FROM EACH SIDE.
  - (3) PLY 20" TALL AND OVER; FASTEN PLYS W/ (4) ROWS 16D NAILS AT 12" O.C. FROM EACH SIDE OR ALT 1 1/2" WIDE LVL FASTEN PLYS W/ (5) ROWS 12D NAILS AT 12" O.C. FROM EACH SIDE.
  - (4) PLY (ALL SIZES); FASTEN PLYS W/ (2) ROWS 1/2" DIAMETER A307 BOLTS AT 24" O.C. SEE SHOP DRAWING FOR ADDITIONAL INFORMATION.

**FIELD INSTALLED FIRST FLOOR BEAM/HEADER SCHEDULE**

IDENTIFIER	DESCRIPTION	LENGTH	OPTIONS	ENG. NUM.	REMARKS
B101	BEAM STEEL - W12X30	23'-10 3/4"		1023	
PF101-2	LVL 1.75 - 11-04	20'-1"	GCB/ GCF	1035	

**STEEL COLUMN SCHEDULE**

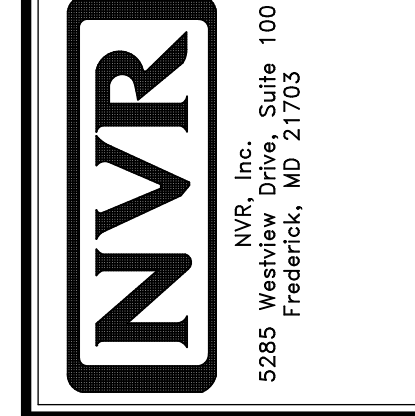
IDENTIFIER	STYLE	HEIGHT	OPTIONS	ENG. NUM.	REMARKS
C101	STANCHION - 3 IN SCHED 40	9'-6"	GCB/ GCF, ELA/ ELB/ ELL/ ELL, SXG, FBV/ FGA	1006	
C105	STANCHION PORCH - 3 IN DIA 116A ADJ	9'-4 7/8"	FBA	1063	

**FIRST FLOOR JACK SCHEDULE**

IDENTIFIER	DESCRIPTION	OPTIONS	ENG. NUM.	REMARKS
J104	JACK - (5) 2x6 SFF STUD GRADE	SXC, ELB/ ELL	1006	
J108	JACK - (4) 2x4 SFF STUD GRADE		1014	
J109	JACK - (4) 2x6 SFF STUD GRADE		1016	
J110	JACK - (4) 2x4 SFF STUD GRADE		1016	
J111	JACK - (2) 2x4 SFF STUD GRADE		1018	
J112	JACK - (2) 2x4 SFF STUD GRADE		1020	
J117	JACK - (3) 2x4 SFF		1023	
J118	JACK - (3) 2x4 SFF STUD GRADE		1023	
J121	JACK - (2) 2x4 SFF STUD GRADE	GCB/ GCF	1035	
J122	JACK - (2) 2x4 SFF STUD GRADE	GCB/ GCF	1035	
J131	JACK - (2) 2x4 SFF STUD GRADE		1033	
J132	JACK - (2) 2x4 SFF STUD GRADE		1035	
J133	JACK - (3) 2x4 SFF STUD GRADE		1035	
J135	JACK - (2) 2x4 SFF STUD GRADE		1063	
J138	JACK - (3) 2x4 SFF#1	ELB/ ELL	2010	
J139	JACK - (3) 2x6 SFF STUD GRADE	ELB/ ELL	2010	
J144	JACK - (2) 2x4 SFF STUD GRADE		1018	
J145	JACK - (3) 2x4 SFF STUD GRADE		1021	
J147	JACK - (3) 2x4 SFF#1		1023	

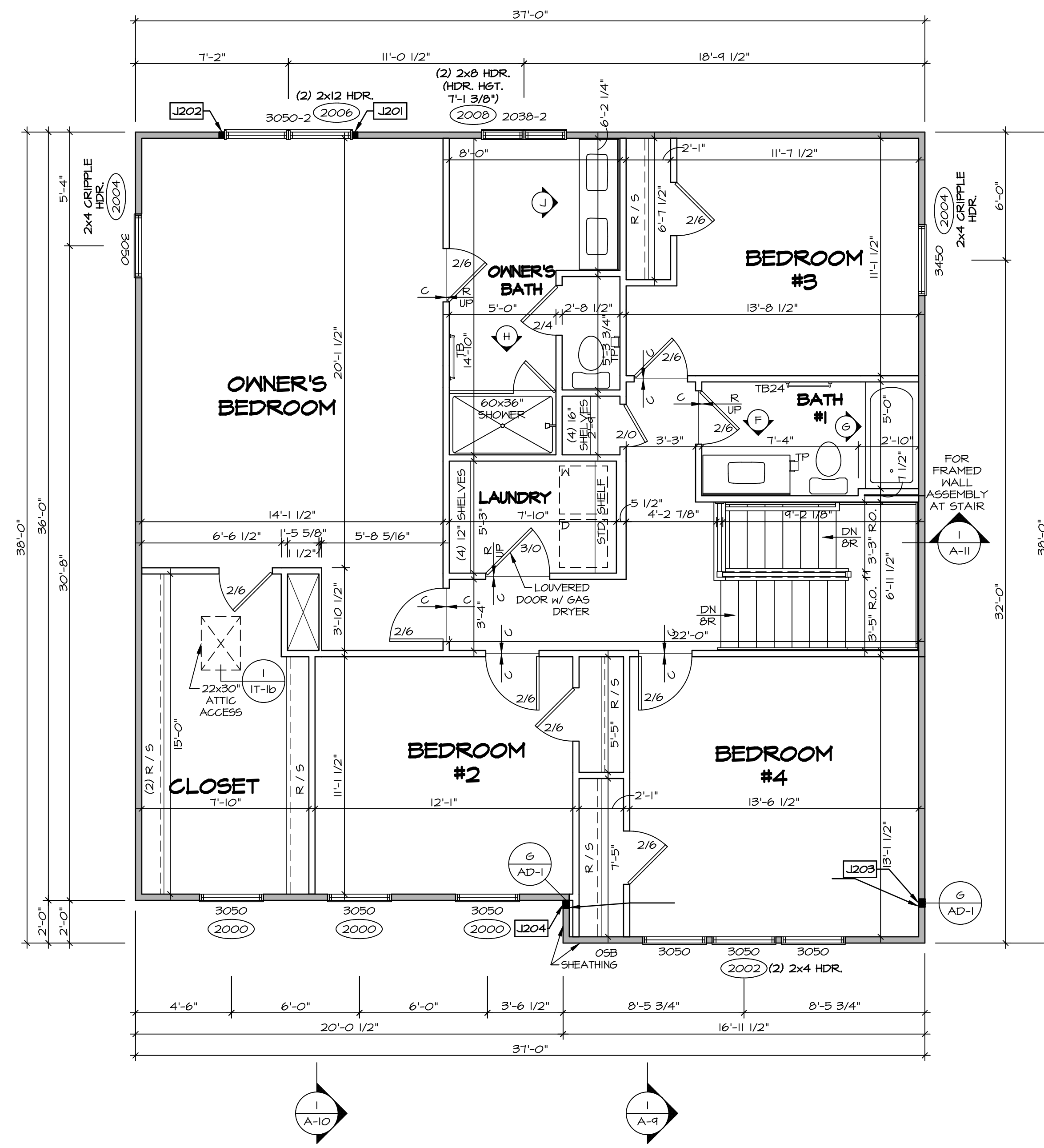
DCY-VG-T637  
COMMITTEE  
VILG OF WINDING CREEK WARR CO - T637  
STREET ADDRESS  
20719 RUNNING STREAM CT  
CITY STATE OH ZIP  
CENTERVILLE OH 45456

NVR, Inc. expressly reserves the right to modify these plans without notice. These plans are not to be reproduced, changed or altered in any way without the written consent of NVR, Inc.



MODEL: COLUMBIA  
DRAWING TITLE: FIRST FLOOR PLAN  
OPTION DESCRIPTION: A-7

SHEET NO. A-7  
VERSION 01  
DRAWN BY: ARY  
DATE:  
OPTION: 27



**SECOND FLOOR PLAN**  
SCALE: 1/4" = 1'-0"

**LEGEND**

- BEARING WALL
- NON BEARING WALL
- INDICATES BEARING FROM POINT-LOAD ABOVE
- JACKS
- BEAM/HEADER
- PAD FOOTING
- STEEL COLUMN
- PORTAL FRAME
- JOIST/TRUSS
- LVL
- ENGINEERING PAGE NUMBER

SEE FC DETAILS FOR FRAMING CONNECTORS

**NOTE:**  
EXTERIOR WALLS DRAWN TO FRAMING WIDTH, EXTERIOR SHEATHING IS NOT INCLUDED IN WALL THICKNESS.

- FLOOR PLAN NOTES**
1. ALL HEADERS ARE (2) 2x6 w/ 2x4 WALLS OR (3) 2x6 w/ 2x6 WALLS, UNLESS OTHERWISE NOTED.
  2. ALL HEADERS TO HAVE (1) 2x4 OR 2x6 JACK AND KING STUD EACH END, UNLESS OTHERWISE NOTED.
  3. ALL EXTERIOR WALLS TO BE 4" w/ OSB OR 3 1/2" w/ T-PLY, ALL INTERIOR WALLS TO BE 3 1/2", UNLESS OTHERWISE NOTED.
  4. HATCHED AREAS INDICATE DROPPED CEILING. ALL DROPPED CEILING ARE 12" UNLESS OTHERWISE NOTED.
  5. SEE "BRACED WALL PANEL DETAIL SHEET" FOR SPECIAL WALL FRAMING LOCATIONS AND HEADER SIZES, IF APPLICABLE.
  6. SEE STANDARD DETAIL CATEGORY "IT" SHEET(S) FOR INTERIOR TRIM DETAILS.
  7. SEE ARCHITECTURAL DETAIL SHEET "AD" FOR HOUSE SPECIFIC INTERIOR TRIM OPTION TABLE.
  8. ALL WINDOWS HAVE 7'-0 1/2" HEADER HEIGHT UNLESS OTHERWISE NOTED.
  9. ALL HEADERS IN NON-BEARING WALLS SHALL BE A SINGLE FLAT 2x4 OR 2x6 ATTACHED TO CRIPPLES ABOVE, UNLESS OTHERWISE NOTED.
  10. TANKED WATER HEATER SHOWN AS BASE CONDITION. OPTIONAL TANKLESS WATER HEATER IS AVAILABLE IN LIEU OF TANKED WATER HEATER.

**GYPSUM NOTES**

AT GARAGE:  
GYPSUM BOARD AT COMMON WALLS, CEILING, BEAM WRAPS AND SUPPORTS PER STANDARD DETAIL FA-(b) FIRE ASSEMBLIES OR AS REQUIRED BY LOCAL CODE.

AT STAIRS:  
1/2" GYPSUM BOARD AT UNDERSIDE OF STAIRS AND WALLS IN CLOSET

**SECOND FLOOR JACK SCHEDULE**

IDENTIFIER	DESCRIPTION	OPTIONS	ENG. NUM.	REMARKS
J201	JACK - (2) 2X4 SPF STUD GRADE		2006	
J202	JACK - (2) 2X4 SPF STUD GRADE		2006	
J203	JACK - (3) 2X4 SP#II	ELB/ ELL	2010	
J204	JACK - (3) 2X4 SP#II	ELB/ ELL	2010	

DIV-COMM-LOT-UNIT  
**DCY-VG-T637**

COMM-LOT  
VILGE OF WINDING CREEK MARR CO - T637

STREET ADDRESS  
2079 RUNNING STREAM CT

CITY STATE OH ZIP  
CENTERVILLE OH 45459

AFT. NO. ---

© NVR, Inc. expressly reserves the right to modify or amend these plans at any time without notice. These plans are not to be reproduced, changed or altered in any way without the written consent of NVR, Inc.

**NVR**

NVR, Inc. Suite 100  
5285 Walkers Lane  
Fredericks, MD 21703

SET NO. CLMOO  
VERSION 01  
DRAWN BY ARY  
DATE:  
OPTION

**COLUMBIA**  
DRAWING TITLE  
**SECOND FLOOR PLAN**

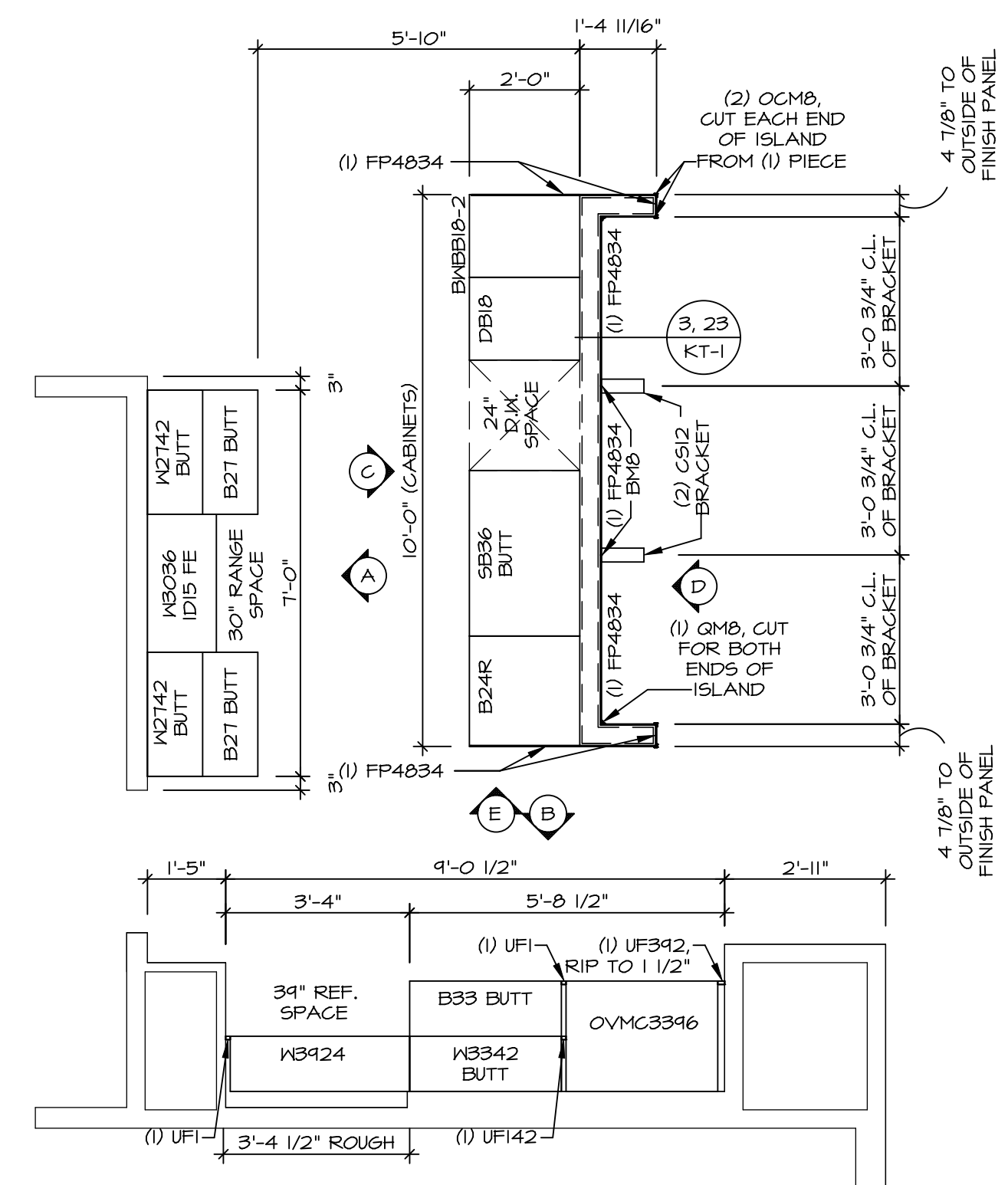
OPTION DESCRIPTION

SHEET NO. **A-8**

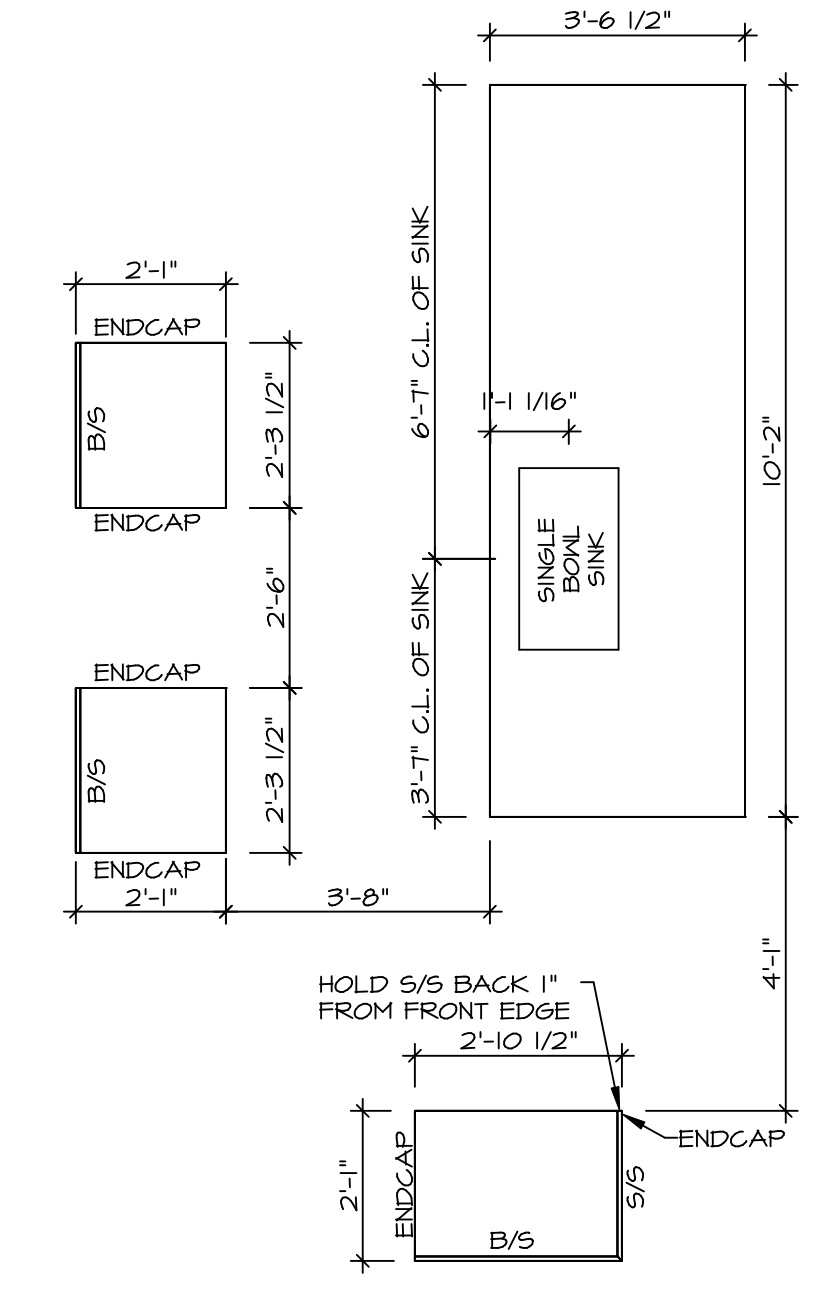
31

C:\NVR\Solves\COLUMBIA\_CLMOO\_01\DCY-VG-T637\2419546\Sheets\Lot\_Specific\31\_A-8\_FLN2\_LS.dwg 11/04/21 - 4:46 am

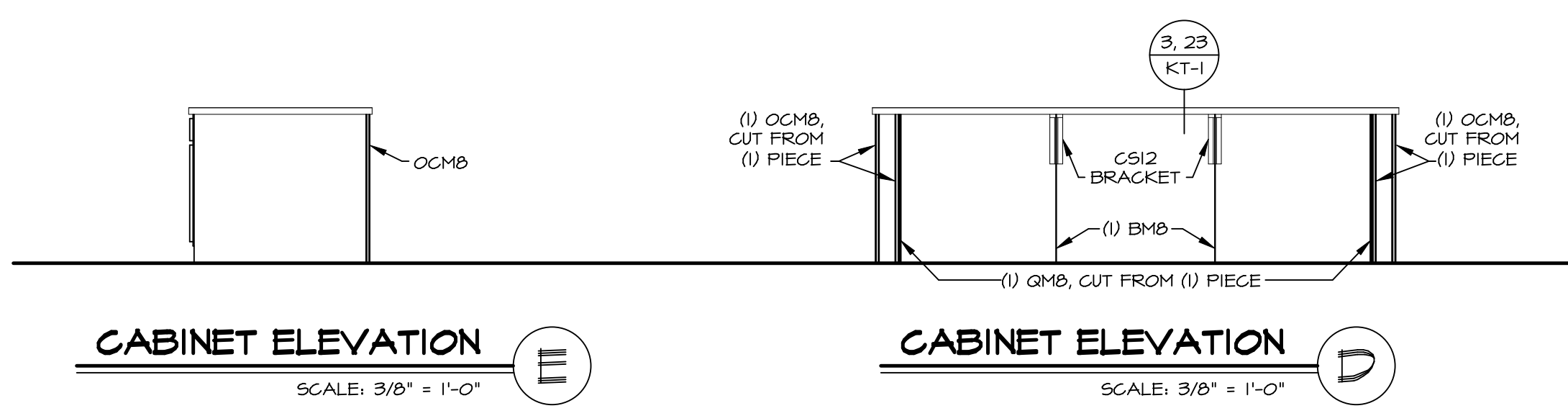
- NOTES:**
- CABINET LAYOUT (S) ARE BASED ON FINISHED DIMENSIONS TO DRYWALL.
  - IF KITCHEN PLANS/ELEVATIONS CALL-OUT STANDARD MOLDING, REFER TO STANDARD DETAIL (IKT-1) FOR REPLACEMENT BASED ON CABINET STYLE.
  - ALL (UF#) FILLERS ARE TO BE "TRIM TO FIT" UNLESS OTHERWISE NOTED.
  - CABINET MUST BE SET, SHIMMED, LEVELED AND PLUMB W/ ADJOINING BASE CABINETS.
  - SET PRE-FINISHED SCRIBE MOLDING AT CABINET BULKHEADS AND AT ENDS (WHERE CABINETS MEET DRYWALL.) PRE-FINISHED SCRIBE MOLDING SHALL BE USED TO PAD OUT CABINET SIDES AT STILE FOR RETURN PIECES OF THE FACE-MOUNTED CABINET CROWN MOLDING.
  - HARDWARE INSTALL NOTE: KNOBS GO ON DOORS AND DRAWERS FOR ALL AREAS. ALL DRAWER FRONTS AND DOORS GET (1) KNOB/FULL. NO HARDWARE ON FALSE DRAWER FRONTS.



**KITCHEN CABINET LAYOUT KC-3522(TC)**  
 APPLIANCE LAYOUT W/ RANGE AND WALL OVEN (TC) \*KA3\* SCALE: 3/8" = 1'-0" A-12

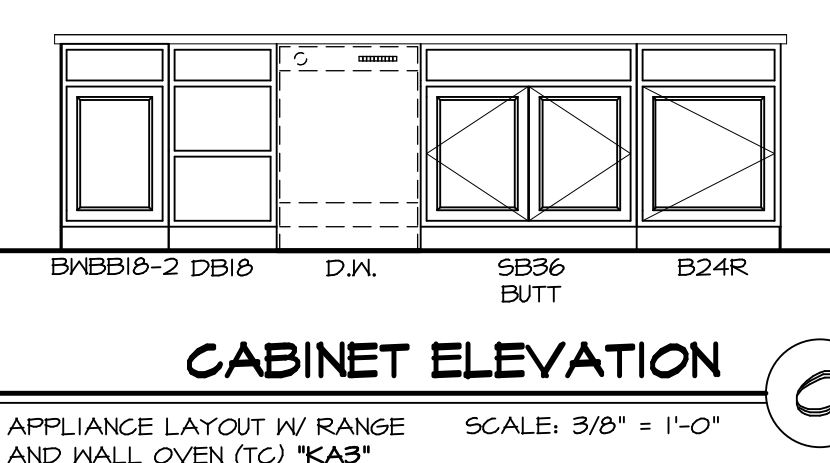


**KITCHEN COUNTERTOP LAYOUT KC-3522(TC)**  
 APPLIANCE LAYOUT W/ RANGE AND WALL OVEN (TC) \*KA3\* SCALE: 3/8" = 1'-0" A-12

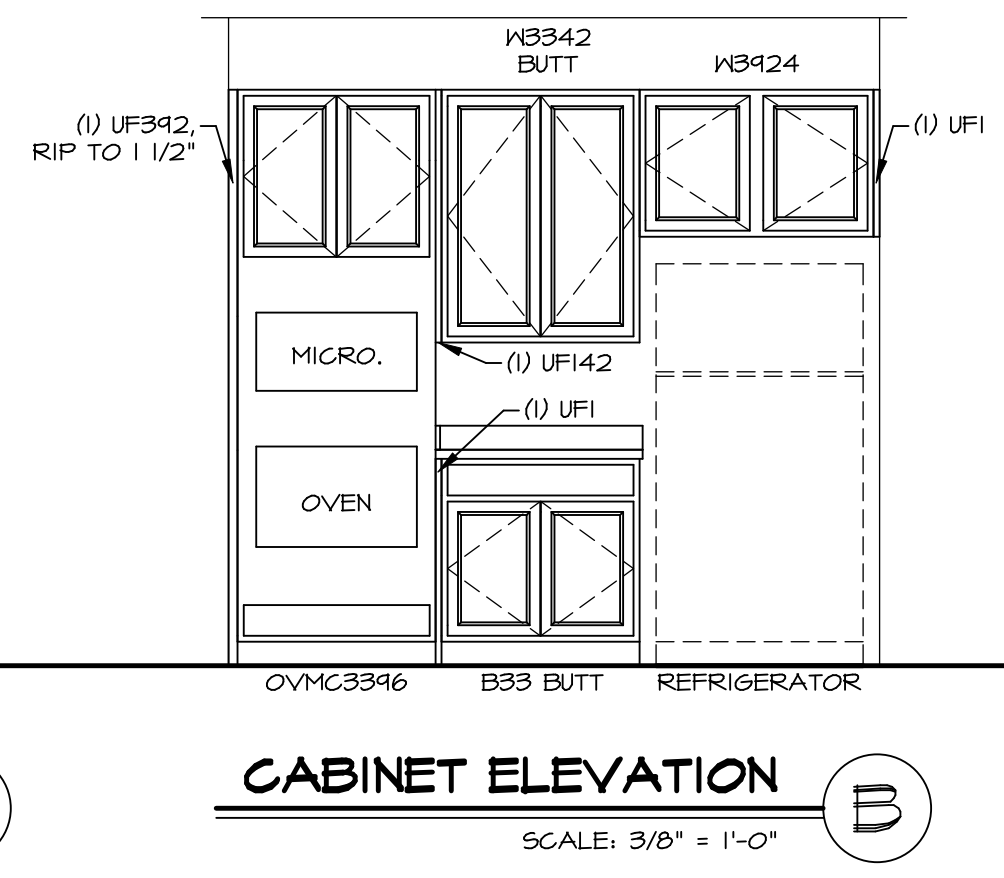


**CABINET ELEVATION E**  
 SCALE: 3/8" = 1'-0"

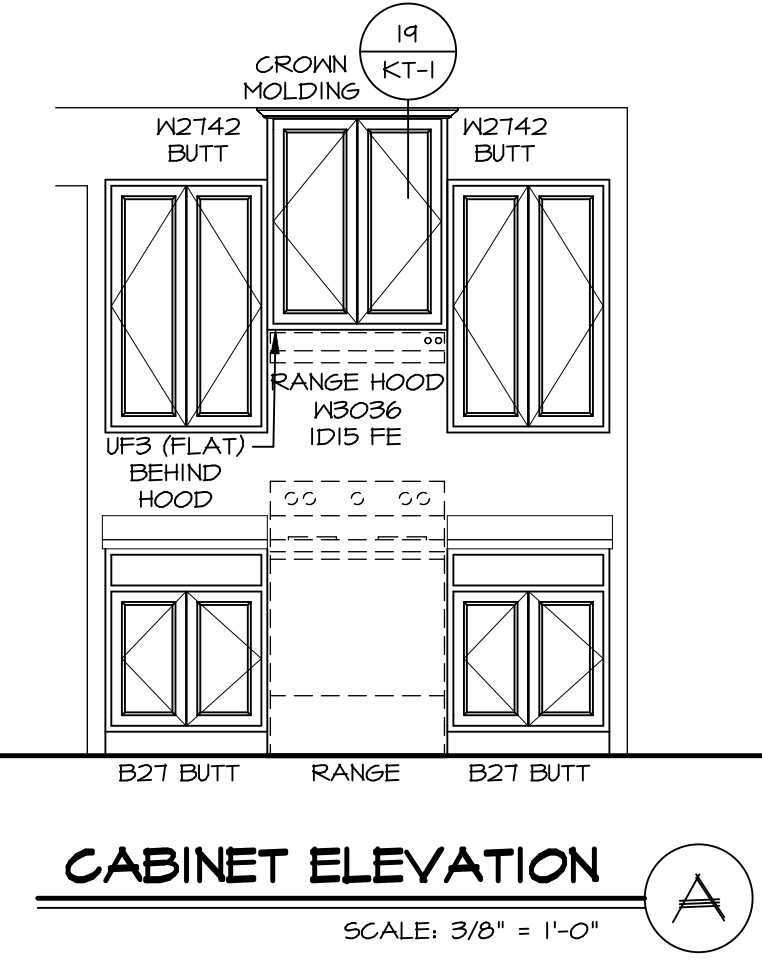
**CABINET ELEVATION D**  
 SCALE: 3/8" = 1'-0"



**CABINET ELEVATION C**  
 APPLIANCE LAYOUT W/ RANGE AND WALL OVEN (TC) \*KA3\* SCALE: 3/8" = 1'-0"



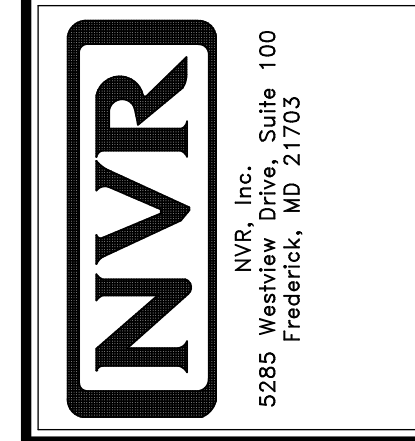
**CABINET ELEVATION B**  
 SCALE: 3/8" = 1'-0"



**CABINET ELEVATION A**  
 SCALE: 3/8" = 1'-0"

**DCY-VG-T637**  
 COMM-Lot  
 VLGs OF WINDING CREEK WARR CO - T637  
 STREET ADDRESS  
 207B RUNNING STREAM CT  
 CITY STATE OH ZIP  
 CENTERVILLE OH 45459

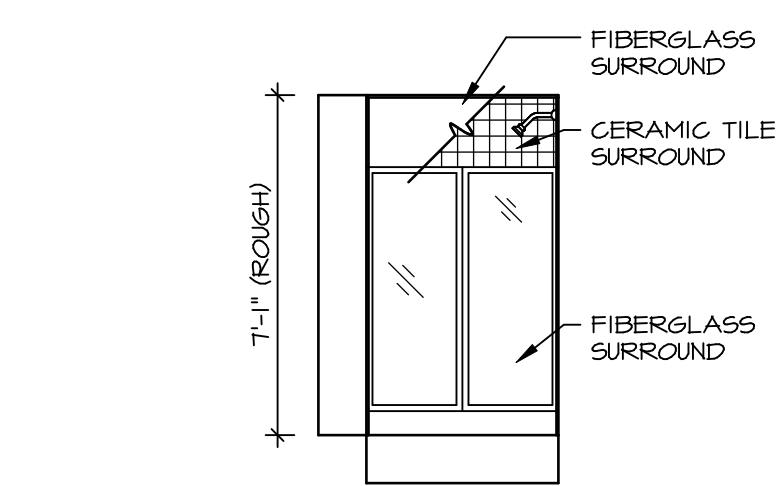
© NVR, Inc. expressly reserves the right to modify these plans without notice. These plans are not to be reproduced, changed or altered in any way without the written consent of NVR, Inc.



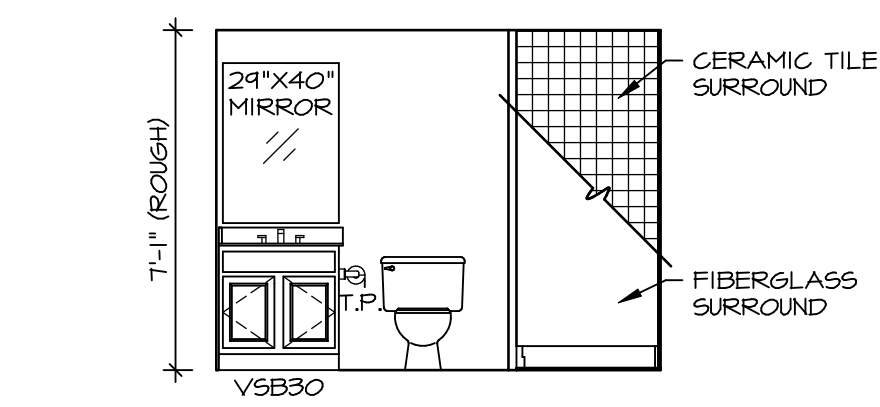
SHEET NO.	MODEL	SET NO.	CLMOO
A-12	COLUMBIA	VERSION	01
	DRAWING TITLE	DRAWN BY	ARM
	KITCHEN PLAN AND ELEVATION	DATE:	OPTION
	OPTION DESCRIPTION		
44			

**NOTES:**

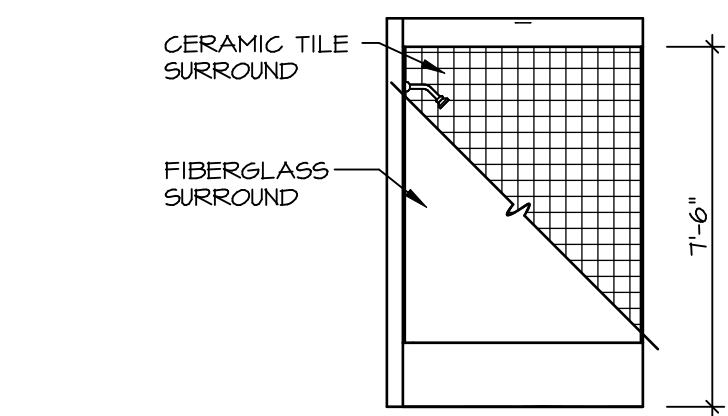
1. TEMPERED GLASS SHOWER ENCLOSURE WITH SLIDING DOOR OR OPTIONAL SLIDING DOOR BY DIVISION
2. TUB ACCESS PANELS PROVIDED AS NEEDED, ALL MATERIALS BY DIVISION
3. REFER TO SHEET D-XX FOR TUB AND SHOWER DETAILS.
4. ALL V5DB24-42 DRAWERS TO BE SET ON RIGHT HAND.
5. ALL BATH ELEVATIONS ARE SHOWN PER PLAN.



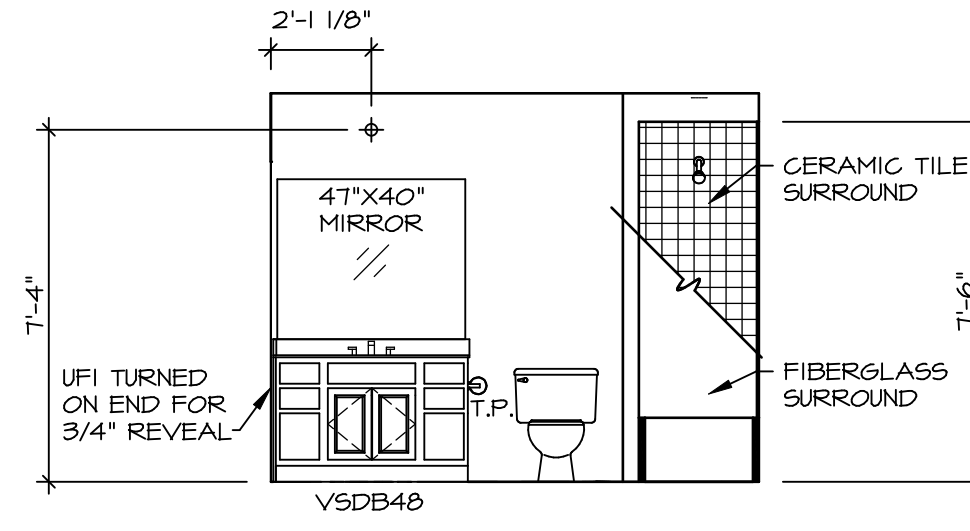
**B BASEMENT BATH**  
SCALE: 1/4" = 1'-0" BASEMENT BATH "AEB"



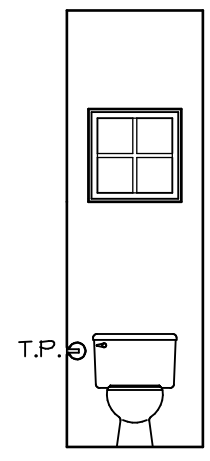
**A BASEMENT BATH**  
SCALE: 1/4" = 1'-0" BASEMENT BATH "AEB"



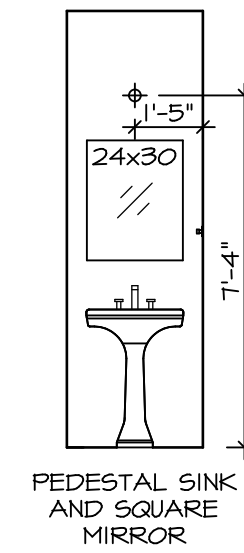
**G BATH #1**  
SCALE: 1/4" = 1'-0"



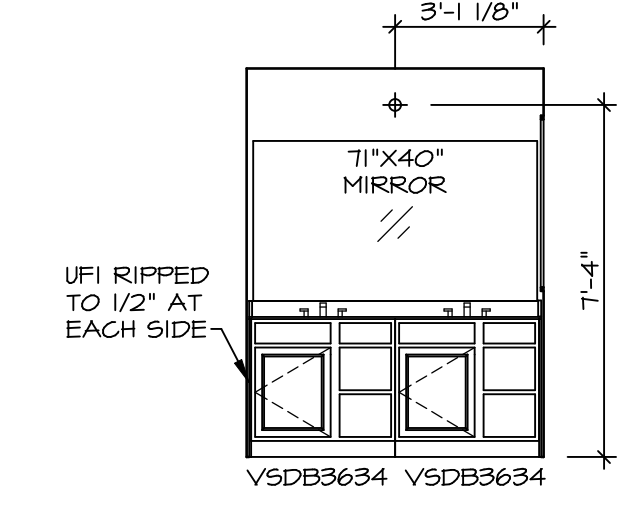
**F BATH #1**  
SCALE: 1/4" = 1'-0" SINGLE BOWL VANITY "VVC"



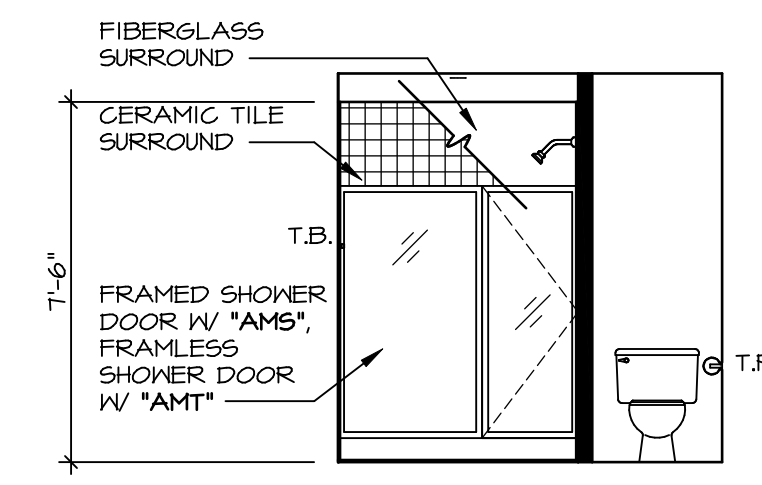
**D POWDER ROOM**  
SCALE: 1/4" = 1'-0"



**C POWDER ROOM**  
SCALE: 1/4" = 1'-0"



**J OWNER'S BATH**  
SCALE: 1/4" = 1'-0"



**H OWNER'S BATH**  
SCALE: 1/4" = 1'-0" OWNER'S BATHROOM SHOWER "AMA"

DIV-COMM-LOT-UNIT  
**DCY-V6-T637**  
COMM-LOT  
VILGS OF KINDING CREEK WARR CO - T637  
STREET ADDRESS  
20719 RUNNING STREAM CT  
CITY CENTERVILLE STATE OH ZIP 45459

© NVR, Inc. expressly reserves the right to modify these plans at any time without notice. These plans are not to be reproduced, changed or altered in any way without the written consent of NVR, Inc.



SET NO. CLMOO  
VERSION 01  
DRAWN BY ARY  
DATE:  
OPTION

MODEL  
**COLUMBIA**  
DRAWING TITLE  
**BATH ELEVATIONS**  
OPTION DESCRIPTION

SHEET NO.  
**A-13**  
46