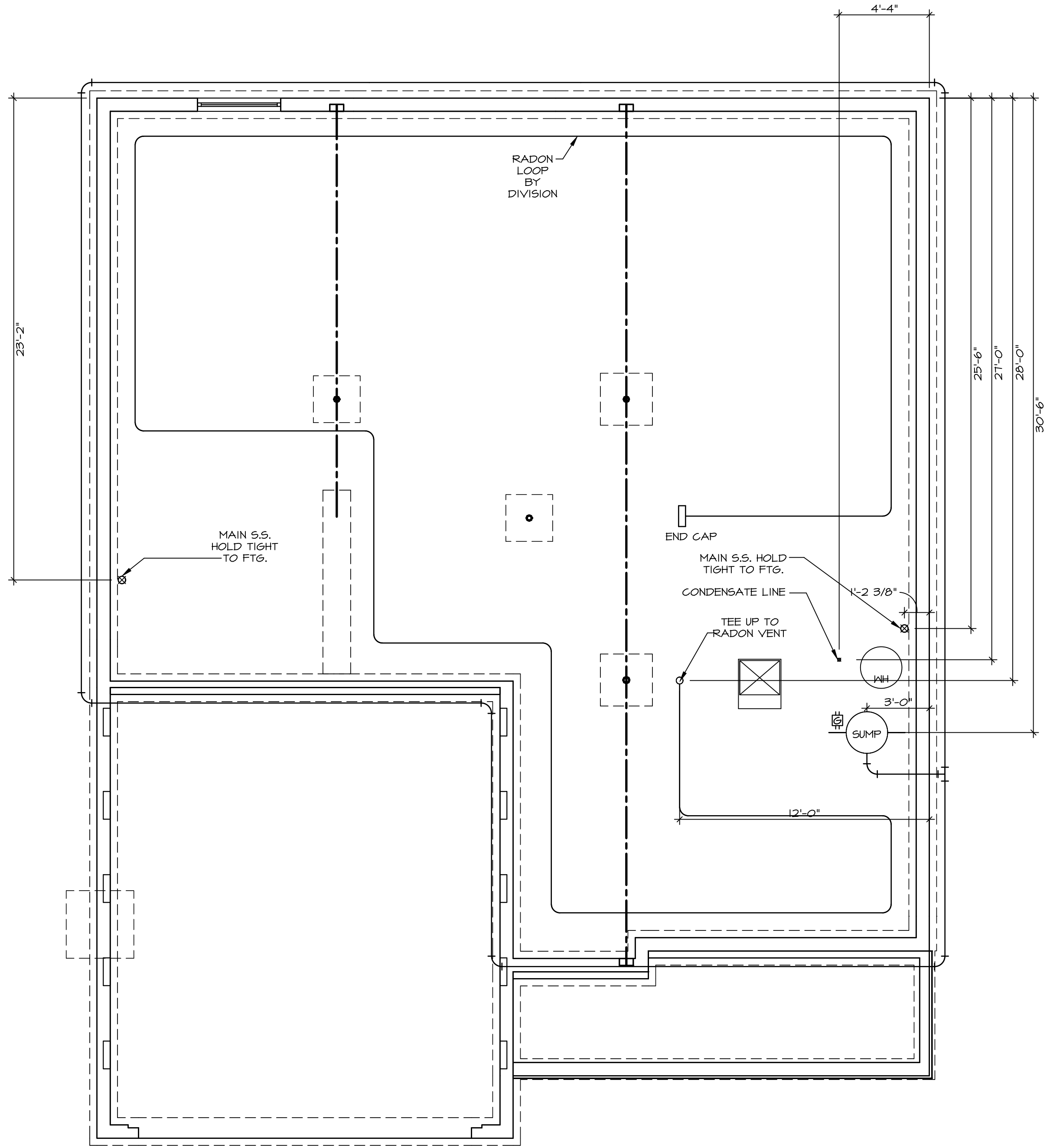
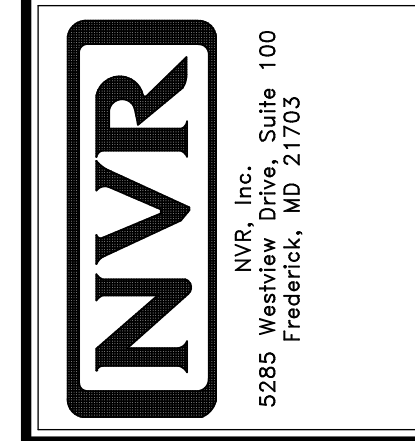


NOTE
 RADON REMEDIATION
 RADON LOOP:
 - (4") PERFORATED HDPE "LOOP"
 - MUST BE PLACED IN STONE BED SLIGHTLY HIGHER THAN ANY INTERIOR DRAINTILE
 - LOOP TO BE SEPARATE FROM ANY DRAINTILE ELEMENTS
 - TO BE CORRUGATED HDPE PIPE
 - SCREENS TO BE INSTALLED THROUGH LOOP AT TEE UP INTO STACK
 STACK REQUIREMENTS:
 - 3" PVC STACK (4" IF BASEMENT IS GREATER THAN 2200 SQFT.)
 - NO PART OF STACK IS TO BE HORIZONTAL
 - PIPE TO BE PHYSICALLY LABELED IN THE FIELD AS "RADON VENT" OR OTHER
 JURISDICTIONALLY REQUIRED LANGUAGE (ON EVERY LEVEL OF HOUSE)
 - ROOF TERMINATION TO BE IN TOP 1/3 OF ROOF
 - SCREEN INSTALLED TO KEEP PESTS OUT OF RADON VENT AT ROOF TERMINATION



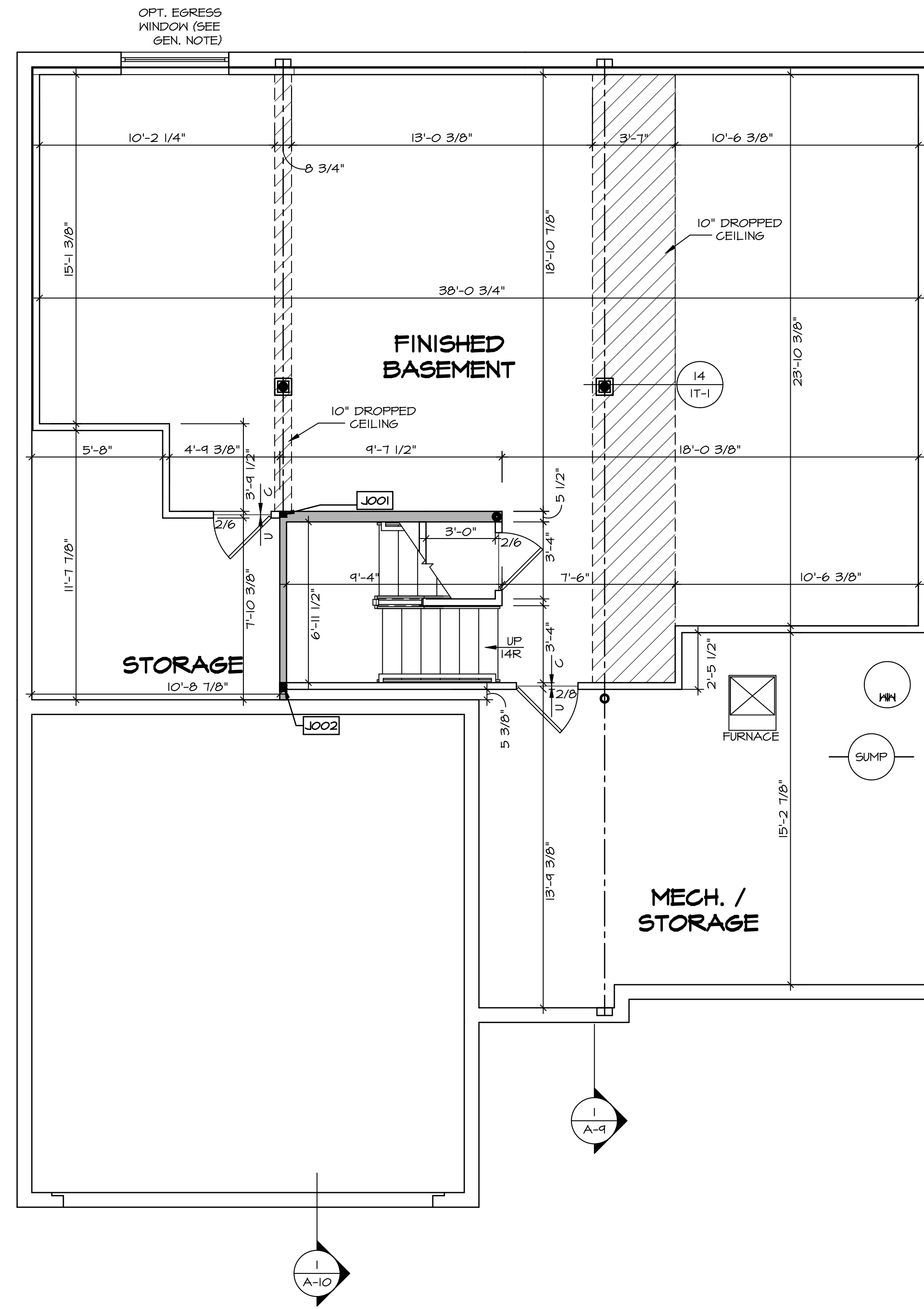
PLUMBING PLAN
 SCALE: 1/4" = 1'-0"

SHEET NO. A-5	MODEL LEHIGH	SET NO. LGH00
VERSION 01	DRAWING TITLE PLUMBING PLAN	VERSION 01
DRAWN BY	DATE:	OPTION
OPTION DESCRIPTION		
25		



© NVR, Inc. expressly reserves the right to modify or amend these plans at any time without notice. No part of these plans may be reproduced, changed or altered in any way without the prior written consent of NVR, Inc.

DIV-COMM-LOT-UNIT DCY-VG-T652	
COMM-LOT	VLGS OF WINDING CREEK WARR CO - T652
STREET ADDRESS	4843 WINDING CREEK BLVD
CITY	CENTERVILLE
STATE	OH
ZIP	45459
APT. NO.	C



BASEMENT FLOOR PLAN
SCALE: 1/4" = 1'-0"

LEGEND

	BEARING WALL
	NON BEARING WALL
	INDICATES BEARING FROM POINT-LOAD ABOVE
	JACKS
	BEAM/HEADER
	FOOTING/THICKENED SLAB
	STEEL COLUMN
	TRUSS TIE DOWN
	PORTAL FRAME
	JOIST/TRUSS
	LVL
	ENGINEERING PAGE NUMBER

-SEE EA DETAILS FOR FIRE ASSEMBLIES
-SEE EC DETAILS FOR FRAMING CONNECTORS

- FLOOR PLAN NOTES**
- ALL HEADERS ARE (2) 2x6 w/ 2x4 WALLS OR (3) 2x6 w/ 2x6 WALLS, UNLESS OTHERWISE NOTED.
 - ALL HEADERS TO HAVE (1) 2x4 OR 2x6 JACK AND KING STUD EACH END, UNLESS OTHERWISE NOTED.
 - ALL EXTERIOR WALLS TO BE 4" w/ OSB OR 3 1/2" w/ LAMINATED FIBROUS STRUCTURAL SHEATHING. ALL INTERIOR WALLS TO BE 3 1/2" UNLESS OTHERWISE NOTED.
 - HATCHED AREAS INDICATE DROPPED CEILING. ALL DROPPED CEILING ARE 12" UNLESS OTHERWISE NOTED.
 - SEE "BRACED WALL PANEL DETAIL SHEET" FOR SPECIAL WALL FRAMING LOCATIONS AND HEADER SIZES, IF APPLICABLE.
 - SEE STANDARD DETAIL CATEGORY "IT" SHEET(S) FOR INTERIOR TRIM DETAILS.
 - SEE ARCHITECTURAL DETAIL SHEET "AD" FOR HOUSE SPECIFIC INTERIOR TRIM OPTION TABLE.
 - ALL WINDOWS HAVE 7'-0 1/2" HEADER HEIGHT UNLESS OTHERWISE NOTED.
 - ALL HEADERS IN NON-BEARING WALLS SHALL BE A SINGLE FLAT 2X4 OR 2X6 ATTACHED TO CRIPPLES ABOVE, UNLESS OTHERWISE NOTED.
 - TANKED WATER HEATER SHOWN AS BASE CONDITION. OPTIONAL TANKLESS WATER HEATER IS AVAILABLE IN LIEU OF TANKED WATER HEATER.

- GYPSUM NOTES**
- AT GARAGE:
GYPSUM BOARD AT COMMON WALLS, CEILING, BEAM WRAPS AND SUPPORTS PER STANDARD DETAIL FA-1(b) FIRE ASSEMBLIES OR AS REQUIRED BY LOCAL CODE.
- AT STAIRS:
1/2" GYPSUM BOARD AT UNDERSIDE OF STAIRS AND WALLS IN CLOSET

BASEMENT JACK SCHEDULE

IDENTIFIER	DESCRIPTION	OPTIONS	ENG. N.M.	REMARKS
J001	JACK - (2) 2X4 SFF STUD GRADE		B0004, B0015	
J002	JACK - (3) 2X4 SFF STUD GRADE		B0007	

DCY-YG-T652

BIV-COMM-LOT-UNIT

COMM-LOT

STREET ADDRESS

CITY

STATE

ZIP

APPT. NO.

4843 WINDING CREEK BLVD

CENTERVILLE OH 45459

© NVR, Inc. expressly reserves the right to modify these plans without notice. These plans are not to be reproduced, changed or altered in any way without the written consent of NVR, Inc.

NVR

NVR, Inc. Suite 100
Frederick, MD 21703

5285 Washburn Rd
Frederick, MD 21703

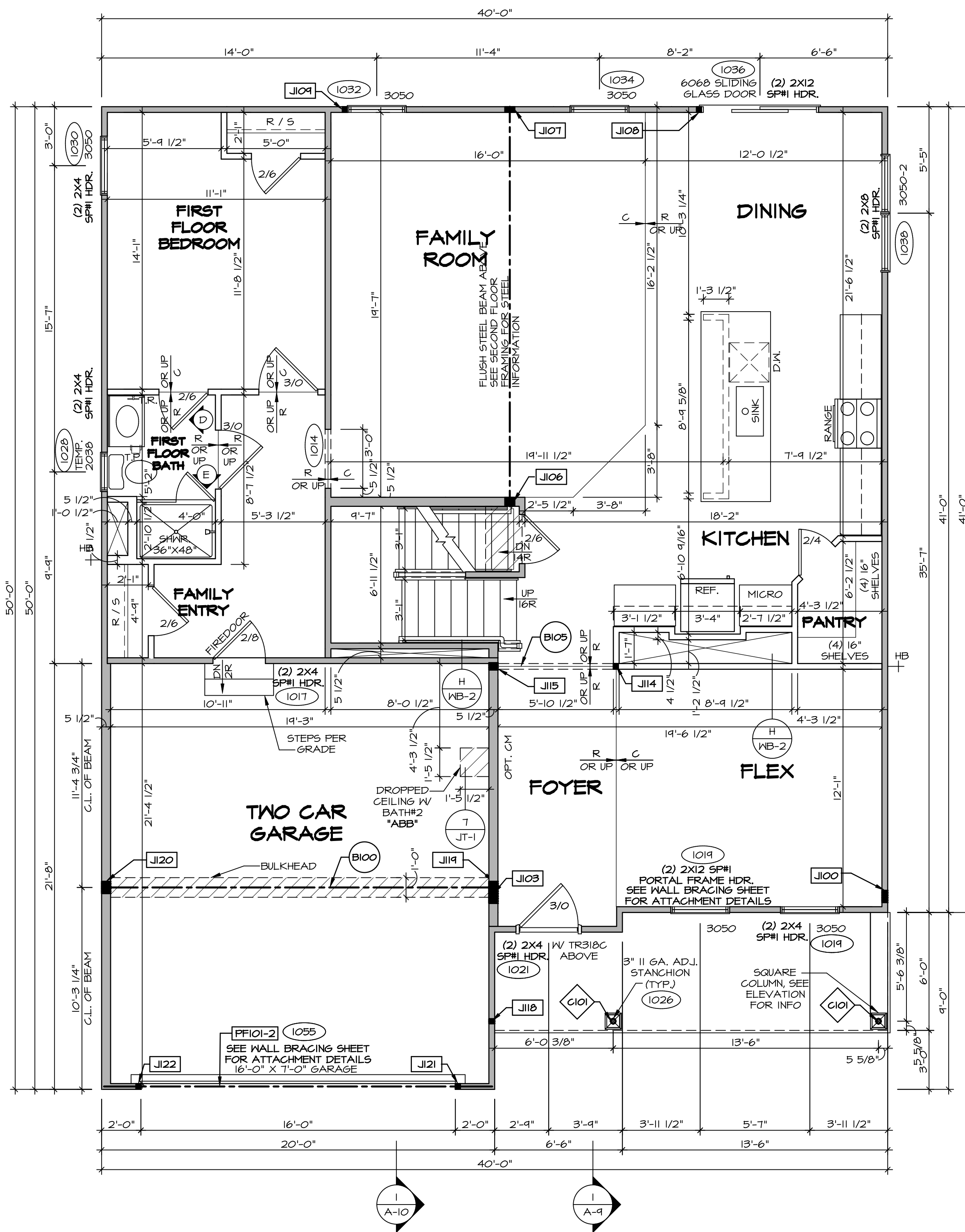
SET NO. LGH00
VERSION 01
DRAWN BY
DATE:
OPTION

MODEL
LEHIGH
DRAWING TITLE
BASEMENT FLOOR PLAN
OPTION DESCRIPTION

A-6

28

C:\NVR\Solves\LEHIGH_LGH00_01\DCY-YG-T652\2485556\Sheets\Lot_Specific\28_A-6_BSMT_LS.dwg 02/10/22 - 4:23 pm



FIRST FLOOR PLAN
SCALE: 1/4" = 1'-0"

FLOOR PLAN NOTES

- ALL HEADERS ARE (2) 2x6 W/ 2x4 WALLS OR (3) 2x6 W/ 2x6 WALLS, UNLESS OTHERWISE NOTED.
- ALL HEADERS TO HAVE (1) 2x4 OR 2x6 JACK AND KING STUD EACH END, UNLESS OTHERWISE NOTED.
- ALL EXTERIOR WALLS TO BE 4" W/ OSB OR 3 1/2" W/ LAMINATED FIBROUS STRUCTURAL SHEATHING, ALL INTERIOR WALLS TO BE 3 1/2", UNLESS OTHERWISE NOTED.
- HATCHED AREAS INDICATE DROPPED CEILINGS. ALL DROPPED CEILINGS ARE 12" UNLESS OTHERWISE NOTED. SEE "BRACED WALL PANEL DETAIL SHEET" FOR SPECIAL WALL FRAMING LOCATIONS AND HEADER SIZES, IF APPLICABLE.
- SEE STANDARD DETAIL CATEGORY "IT" SHEET(S) FOR INTERIOR TRIM DETAILS.
- SEE ARCHITECTURAL DETAIL SHEET "AD" FOR HOUSE SPECIFIC INTERIOR TRIM OPTION TABLE.
- ALL WINDOWS HAVE 1" O 1/2" HEADER HEIGHT UNLESS OTHERWISE NOTED.
- ALL HEADERS IN NON-BEARING WALLS SHALL BE A SINGLE FLAT 2X4 OR 2X6 ATTACHED TO CRIPPLES ABOVE, UNLESS OTHERWISE NOTED.
- TANKED WATER HEATER SHOWN AS BASE CONDITION. OPTIONAL TANKLESS WATER HEATER IS AVAILABLE IN LIEU OF TANKED WATER HEATER.

LEGEND

- BEARING WALL
- NON BEARING WALL
- INDICATES BEARING FROM POINT-LOAD ABOVE
- JACKS
- BEAM/HEADER
- FOOTING/THICKENED SLAB
- STEEL COLUMN
- TRUSS TIE DOWN
- PORTAL FRAME
- JOIST/TRUSS
- LVL
- ENGINEERING PAGE NUMBER
- SEE EA DETAILS FOR FIRE ASSEMBLIES
- SEE EC DETAILS FOR FRAMING CONNECTORS

GYPSTUM NOTES

AT GARAGE:
GYPSUM BOARD AT COMMON WALLS, CEILINGS, BEAM WRAPS AND SUPPORTS PER STANDARD DETAIL FA-1(b) FIRE ASSEMBLIES OR AS REQUIRED BY LOCAL CODE.

AT STAIRS:
1/2" GYPSUM BOARD AT UNDERSIDE OF STAIRS AND WALLS IN CLOSET

FIRST FLOOR JACK SCHEDULE

IDENTIFIER	DESCRIPTION	OPTIONS	ENG. NUM.
J100	JACK - (5) 2X4 SFF#		2000
J103	JACK - (4) 2X6 SFF STUD GRADE	ELC	2000
J106	JACK - (4) 2X6 SFF STUD GRADE		1016
J107	JACK - (4) 2X4 SFF STUD GRADE		1016
J108	JACK - (2) 2X4 SFF STUD GRADE		1036
J109	JACK - (2) 2X4 SFF STUD GRADE		1032
J114	JACK - (2) 2X4 SFF STUD GRADE		1013
J115	JACK - (3) 2X6 SFF STUD GRADE		1013
J118	JACK - (2) 2X4 SFF STUD GRADE		1026
J119	JACK - (5) 2X6 SFF#	5XC	1044, 1044
J120	JACK - (5) 2X6 SFF STUD GRADE	6CB, 6CF	1044, 1044
J121	JACK - (2) 2X4 SFF STUD GRADE	6CB, 6CF	1055
J122	JACK - (2) 2X4 SFF STUD GRADE	6CB, 6CF	1055

LVL PLY TO PLY FASTENING SCHEDULE: (WHERE APPLICABLE BASED ON LVL USAGE)

- (2) PLY UP TO AND INCLUDING 11 7/8" TALL; FASTEN PLYS W/ (2) ROWS 16D NAILS AT 12" O.C. OR ALT 1 1/2" WIDE LVL FASTEN PLYS W/ (3) ROWS 12D NAILS AT 12" O.C.
- (2) PLY 14" TO AND 18" TALL (INCLUSIVE); FASTEN PLYS W/ (3) ROWS 16D NAILS AT 12" O.C. OR ALT 1 1/2" WIDE LVL FASTEN PLYS W/ (4) ROWS 12D NAILS AT 12" O.C.
- (2) PLY 20" TALL AND OVER; FASTEN PLYS W/ (4) ROWS 16D NAILS AT 12" O.C. OR ALT 1 1/2" WIDE LVL FASTEN PLYS W/ (5) ROWS 12D NAILS AT 12" O.C.
- (3) PLY UP TO AND INCLUDING 11 7/8" TALL; FASTEN PLYS W/ (2) ROWS 16D NAILS AT 12" O.C. FROM EACH SIDE OR ALT 1 1/2" WIDE LVL FASTEN PLYS W/ (3) ROWS 12D NAILS AT 12" O.C. FROM EACH SIDE.
- (3) PLY 14" TO AND 18" TALL (INCLUSIVE); FASTEN PLYS W/ (3) ROWS 16D NAILS AT 12" O.C. FROM EACH SIDE OR ALT 1 1/2" WIDE LVL FASTEN PLYS W/ (4) ROWS 12D NAILS AT 12" O.C. FROM EACH SIDE.
- (3) PLY 20" TALL AND OVER; FASTEN PLYS W/ (4) ROWS 16D NAILS AT 12" O.C. FROM EACH SIDE OR ALT 1 1/2" WIDE LVL FASTEN PLYS W/ (5) ROWS 12D NAILS AT 12" O.C. FROM EACH SIDE.
- (4) PLY (ALL SIZES); FASTEN PLYS W/ (2) ROWS 1/2" DIAMETER A307 BOLTS AT 24" O.C. SEE SHOP DRAWING FOR ADDITIONAL INFORMATION.

FIELD INSTALLED FIRST FLOOR BEAM/HEADER SCHEDULE

IDENTIFIER	DESCRIPTION	LENGTH	OPTIONS	ENG. NUM.	REMARKS
B100	BEAM STEEL - M12X35	20'-1 1/2"	5XC	1044, 1044	
B105	INT HEADER - 2XB - 2 PLY	6'-1"		1013	
PF101-2	LVL 175 - 11-04	19'-4"	6CB, 6CF	1055	2-PLY, 1A, PORTAL FRAME

STEEL COLUMN SCHEDULE

IDENTIFIER	STYLE	HEIGHT	OPTIONS	ENG. NUM.	REMARKS
C101	STANCHION PORCH - 3 IN DIA 116A ADJ	8'-8 5/8"		1026	

DCY-V6-T652
 4843 WINDING CREEK BLVD
 CENTERVILLE, OH 45458
 STATE OH ZIP 45458
 CITY CENTERVILLE

SET NO. LGH00
 VERSION 01
 DRAWN BY
 DATE:
 OPTION

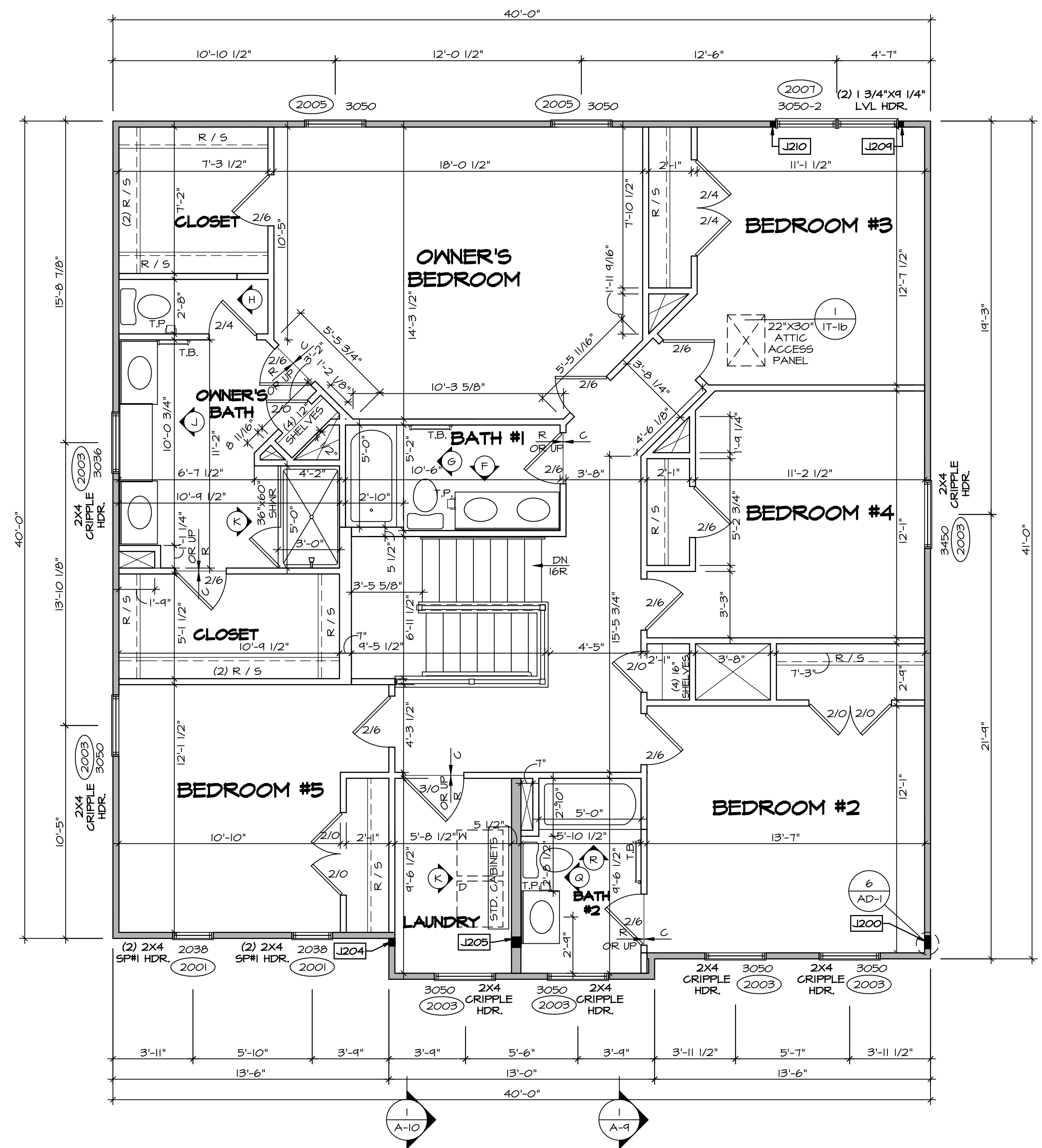
MODEL LEHIGH
 DRAWING TITLE FIRST FLOOR PLAN
 OPTION DESCRIPTION

SHEET NO. A-7
 30

© NVR, Inc. All rights reserved. No part of this drawing may be reproduced, stored in a retrieval system, or transmitted in any form or by any means, electronic, mechanical, photocopying, recording, or by any information storage and retrieval system, without the prior written consent of NVR, Inc.

NVR, Inc. Suite 100
 Frederick, MD 21703
 585 Washington Blvd
 Frederick, MD 21703

C:\NVR\Solves\LEHIGH_LGH00_01\DCY-V6-T652\245556\Sheets\Lot_Specifs\A-7_PLN1_LS.dwg 02/10/22 - 4:23 pm



SECOND FLOOR PLAN
SCALE: 1/4" = 1'-0"

LEGEND

- BEARING WALL
- NON BEARING WALL
- INDICATES BEARING FROM POINT-LOAD ABOVE
- JACKS
- BEAM/HEADER
- FOOTING/THICKENED SLAB
- STEEL COLUMN
- TRUSS TIE DOWN
- PORTAL FRAME
- JOIST/TRUSS
- LVL
- ENGINEERING PAGE NUMBER

-SEE EA DETAILS FOR FIRE ASSEMBLIES
-SEE EC DETAILS FOR FRAMING CONNECTORS

- FLOOR PLAN NOTES**
- ALL HEADERS ARE (2) 2x6 w/ 2x4 WALLS OR (3) 2x6 w/ 2x6 WALLS, UNLESS OTHERWISE NOTED.
 - ALL HEADERS TO HAVE (1) 2x4 OR 2x6 JACK AND KING STUD EACH END, UNLESS OTHERWISE NOTED.
 - ALL EXTERIOR WALLS TO BE 4" w/ OSB OR 3 1/2" w/ LAMINATED FIBROUS STRUCTURAL SHEATHING. ALL INTERIOR WALLS TO BE 3 1/2" UNLESS OTHERWISE NOTED.
 - HATCHED AREAS INDICATE DROPPED CEILING. ALL DROPPED CEILING ARE 12" UNLESS OTHERWISE NOTED.
 - SEE "BRACED WALL PANEL DETAIL SHEET" FOR SPECIAL WALL FRAMING LOCATIONS AND HEADER SIZES, IF APPLICABLE.
 - SEE STANDARD DETAIL CATEGORY "IT" SHEET(S) FOR INTERIOR TRIM DETAILS.
 - SEE ARCHITECTURAL DETAIL SHEET "AD" FOR HOUSE SPECIFIC INTERIOR TRIM OPTION TABLE.
 - ALL WINDOWS HAVE 1'-0 1/2" HEADER HEIGHT UNLESS OTHERWISE NOTED.
 - ALL HEADERS IN NON-BEARING WALLS SHALL BE A SINGLE FLAT 2x4 OR 2x6 ATTACHED TO CRIPPLES ABOVE, UNLESS OTHERWISE NOTED.
 - TANKED WATER HEATER SHOWN AS BASE CONDITION. OPTIONAL TANKLESS WATER HEATER IS AVAILABLE IN LIEU OF TANKED WATER HEATER.

GYPSUM NOTES

AT GARAGE:
GYPSUM BOARD AT COMMON WALLS, CEILING, BEAM WRAPS AND SUPPORTS PER STANDARD DETAIL FA-1(b) FIRE ASSEMBLIES OR AS REQUIRED BY LOCAL CODE.

AT STAIRS:
1/2" GYPSUM BOARD AT UNDERSIDE OF STAIRS AND WALLS IN CLOSET

SECOND FLOOR JACK SCHEDULE

IDENTIFIER	DESCRIPTION	OPTIONS	ENG. NUM.	REMARKS
J200	JACK - (5) 2X4 SPM		2000	1/8"x3 1/2"x1 1/2" STEEL BEARING PLATE, EXTEND THRU TOP PLATE
J204	JACK - (3) 2X4 SFF STUD GRADE	ELG	2000	
J205	JACK - (4) 2X4 SFF STUD GRADE	ELG	2000	EXTEND THRU TOP PLATE
J201	JACK - (2) 2X4 SFF STUD GRADE		2001	
J210	JACK - (2) 2X4 SFF STUD GRADE		2001	

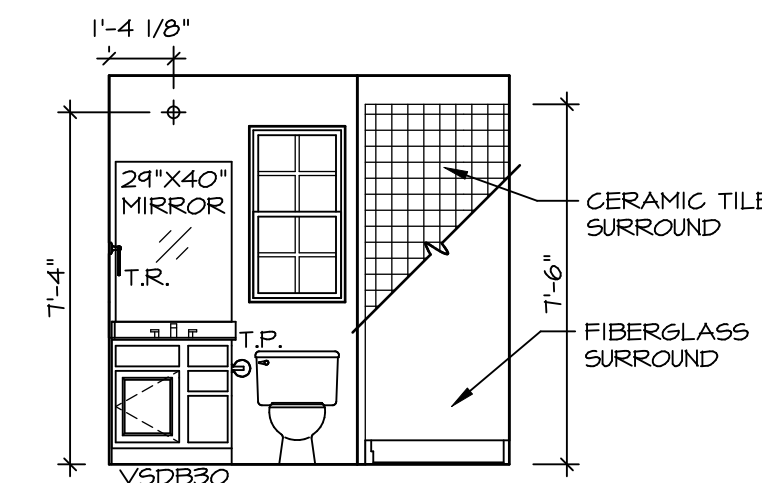
SHEET NO. **A-8** / 33
 MODEL **LEHIGH**
 DRAWING TITLE **SECOND FLOOR PLAN**
 SET NO. **LGH00**
 VERSION **01**
 DRAWN BY
 DATE:
 OPTION

DIV-COMM-LOT-UNIT
DCY-Y6-T652
 COMM-LOT
 VILGES OF WINDING CREEK WARR CO - T652
 STREET ADDRESS
 4843 WINDING CREEK BLVD
 CITY STATE OH
 CENTERVILLE OH 45458

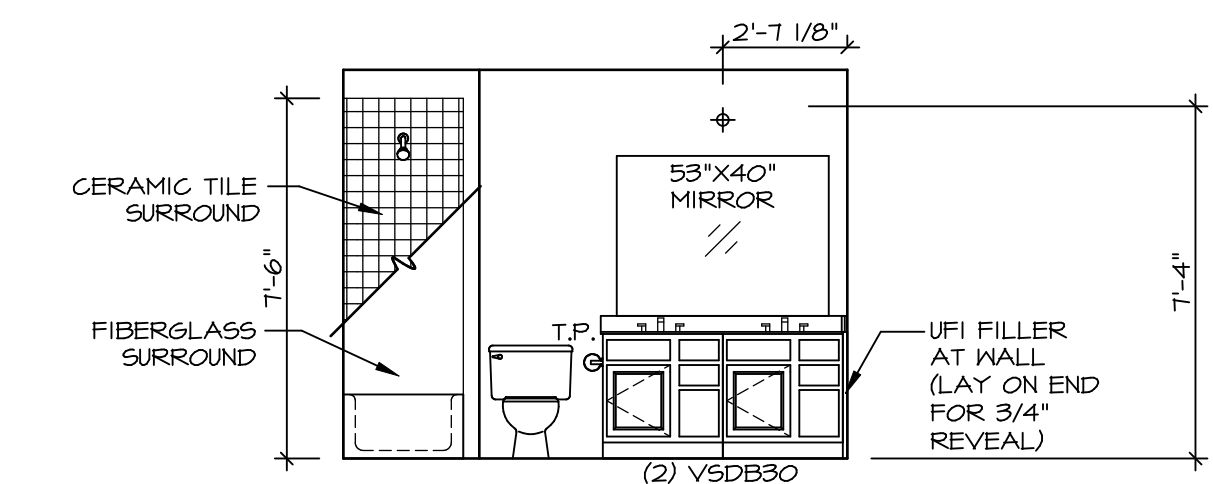
© NVR, Inc. expressly reserves the right to modify or change these plans without notice. These plans are not to be reproduced, changed, or copied in any way without the written consent of NVR, Inc.

NVR
 NVR, Inc. Suite 100
 5285 Washington Blvd.
 Frederick, MD 21703

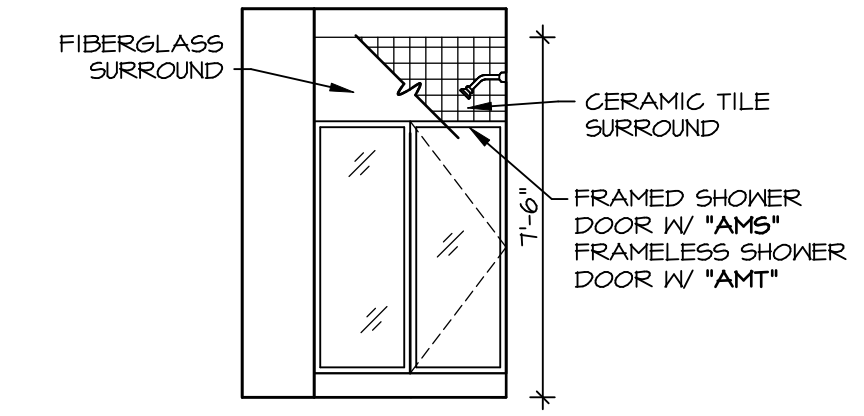
C:\NVR\Solves\LEHIGH_LGH00_01\DCY-Y6-T652\2485556\Sheets\Lot_Specific\33_A-8_PLN2_LS.dwg 02/10/22 - 4:23 pm



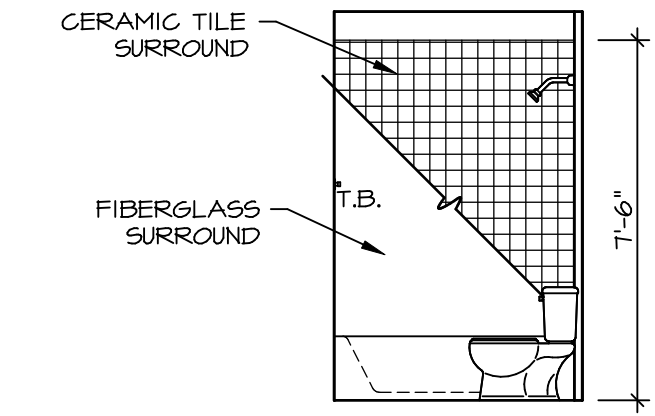
D FIRST FLOOR BATH
SCALE: 1/4" = 1'-0"



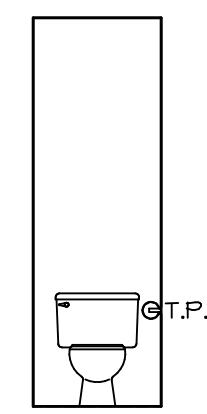
F BATH #1
SCALE: 1/4" = 1'-0" NEW LIGHT/MIRROR LAYOUT DBL. VANITY "AFE"



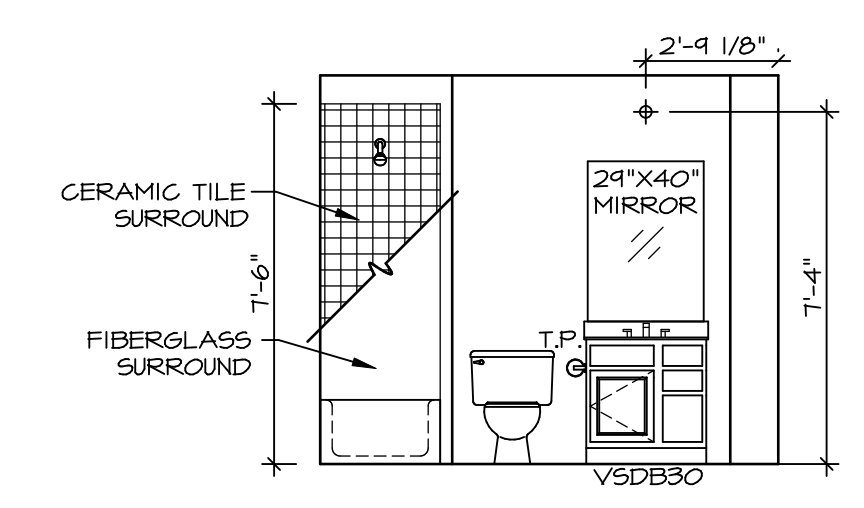
E FIRST FLOOR BATH
SCALE: 1/4" = 1'-0"



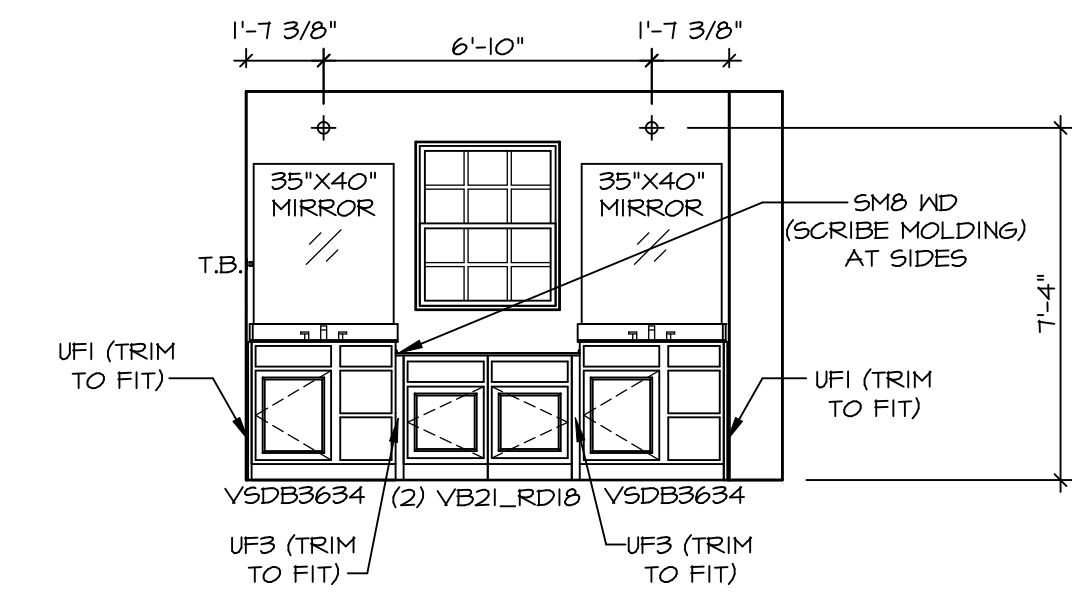
G BATH #1
SCALE: 1/4" = 1'-0"



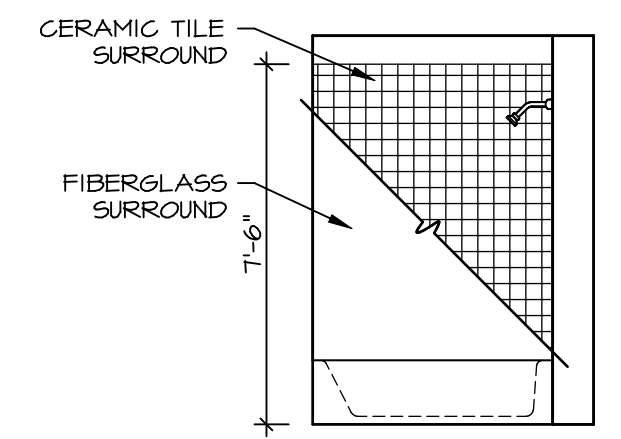
H OWNERS BATH
SCALE: 1/4" = 1'-0"



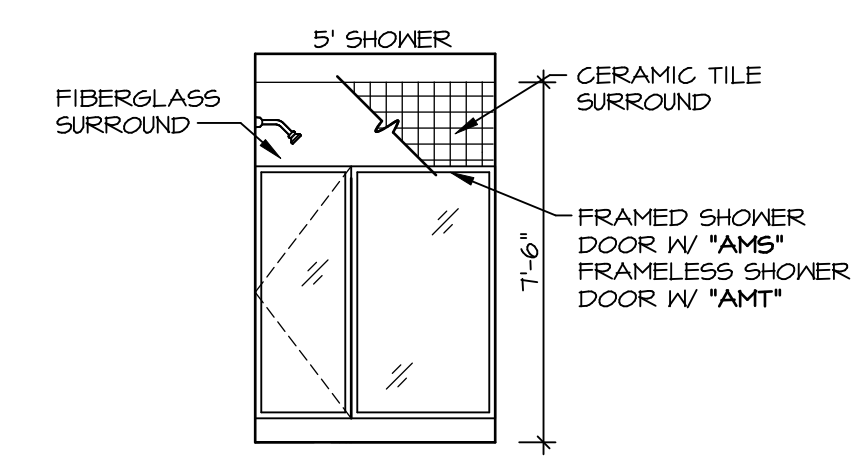
Q BATH #2
SCALE: 1/4" = 1'-0"



J OWNERS BATH
SCALE: 1/4" = 1'-0" OWNER'S BATHROOM SHOWER "AMA"

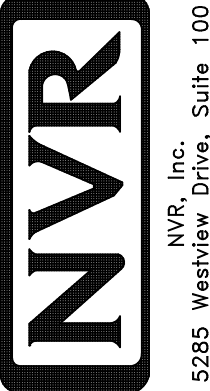


R BATH #2
SCALE: 1/4" = 1'-0"



K OWNERS BATH
SCALE: 1/4" = 1'-0" OWNER'S BATHROOM SHOWER "AMA"

- NOTES:**
- TEMPERED GLASS SHOWER ENCLOSURE WITH SWING DOOR OR OPTIONAL SLIDING DOOR BY DIVISION
 - TUB ACCESS PANELS PROVIDED AS NEEDED, ALL MATERIALS BY DIVISION
 - REFER TO SHEET IT-2 FOR TUB AND SHOWER DETAILS.
 - ALL V5DB24-42 DRAWERS TO BE SET ON RIGHT HAND.
 - ALL BATH ELEVATIONS ARE SHOWN PER PLAN.

DIV-COMM-LOT-UNIT DCY-YG-T652	
COMM-LOT VILGS OF WINDING CREEK WARR CO - T652	APT. NO. C
STREET ADDRESS 4843 WINDING CREEK BLVD	CITY STATE OH ZIP CENTERVILLE OH 45459
<p><small>© NVR, Inc. expressly reserves the right to modify or change these plans without notice. These plans are not to be reproduced, changed or copied in any way without the express written consent of NVR, Inc.</small></p>	
 <p>NVR, Inc. Suite 100 5285 Westfield Rd Frederick, MD 21703</p>	
SET NO. LGH00	VERSION 01
DRAWN BY	DATE:
OPTION	OPTION
MODEL LEHIGH	DRAWING TITLE BATH ELEVATIONS
SHEET NO. A-13	OPTION DESCRIPTION 57