

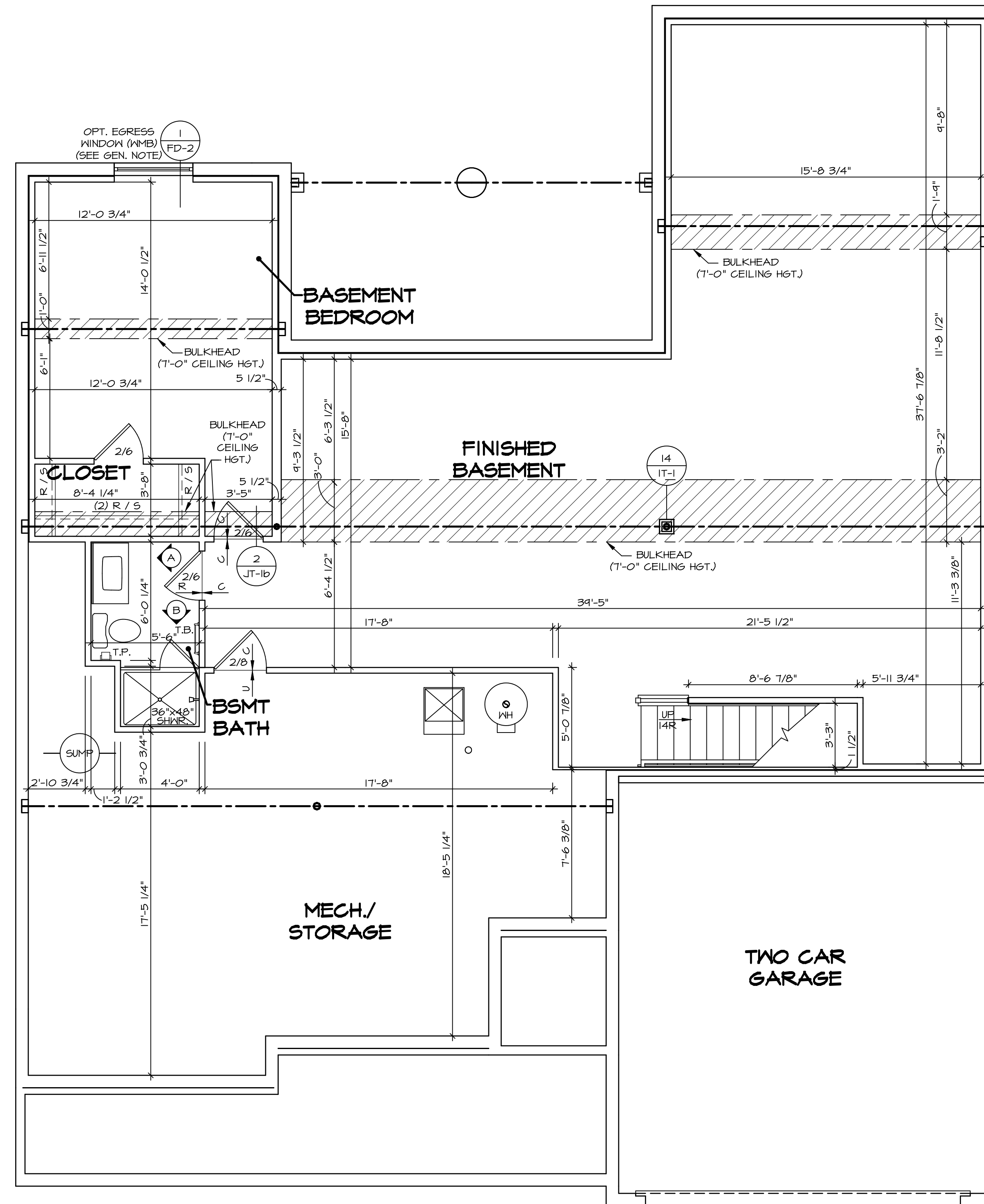
PLUMBING PLAN
SCALE: 1/4" = 1'-0"

NOTE
RADON REMEDIATION
RADON LOOP:
- (4") PERFORATED HDPE "LOOP"
- MUST BE PLACED IN STONE BED SLIGHTLY HIGHER THAN ANY INTERIOR DRAINTILE
- LOOP TO BE SEPARATE FROM ANY DRAINTILE ELEMENTS
- TO BE CORRUGATED HDPE PIPE
- SCREENS TO BE INSTALLED THROUGH LOOP AT TEE UP INTO STACK
STACK REQUIREMENTS:
- 3" PVC STACK (4" IF BASEMENT IS GREATER THAN 2200 SFT)
- NO PART OF STACK IS TO BE HORIZONTAL
- PIPE TO BE PHYSICALLY LABELED IN THE FIELD AS "RADON VENT" OR OTHER JURISDICTIONALLY REQUIRED LANGUAGE (ON EVERY LEVEL OF HOUSE)
- ROOF TERMINATION TO BE IN TOP 1/3 OF ROOF
- SCREEN INSTALLED TO KEEP PESTS OUT OF RADON VENT AT ROOF TERMINATION

SHEET NO. A-5	MODEL CUMBERLAND	SET NO. CMB00	VERSION 01
		DRAWN BY SGA	DATE:
OPTION DESCRIPTION 43			OPTION

© NVR, Inc. expressly reserves the right to modify or amend these plans at any time without notice. These plans are not to be reproduced, changed or altered in any way without the written consent of NVR, Inc.	
NVR, Inc. Suite 100 5285 Walkersville Rd. Frederick, MD 21703	

DIV-COMM-LOT-UNIT DCY-VG-T657	
COMM-LOT VLGS OF WINDING CREEK WARR CO - T657	APT. NO. ----
STREET ADDRESS 4863 WINDING CREEK BLVD	STATE OH
CITY CENTERVILLE	ZIP 45459



1
A-6 **BASEMENT FLOOR PLAN**
SCALE: 1/4" = 1'-0"

LEGEND	
	BEARING WALL
	NON BEARING WALL
	INDICATES BEARING FROM POINT-LOAD ABOVE
	JACKS
	BEAM/HEADER
	PAD FOOTING
	STEEL COLUMN
	TRUSS TIE DOWN
	PORTAL FRAME
	JOIST/TRUSS
	LVL
	ENGINEERING PAGE NUMBER

SEE FC DETAILS FOR FRAMING CONNECTORS

- FLOOR PLAN NOTES**
- ALL HEADERS ARE (2) 2x6 w/ 2x4 WALLS OR (3) 2x6 w/ 2x6 WALLS, UNLESS OTHERWISE NOTED.
 - ALL HEADERS TO HAVE (1) 2x4 OR 2x6 JACK AND KING STUD EACH END, UNLESS OTHERWISE NOTED. MULTI-OPENING HEADERS TO HAVE (2) JACKS AT INTERMEDIATE BEARINGS, UNLESS OTHERWISE NOTED.
 - ALL EXTERIOR WALLS TO BE 4" w/ OSB OR 3 1/2" w/ LAMINATED FIBROUS STRUCTURAL SHEATHING. ALL INTERIOR WALLS TO BE 3 1/2", UNLESS OTHERWISE NOTED.
 - HATCHED AREAS INDICATE DROPPED CEILINGS. ALL DROPPED CEILINGS ARE 12" UNLESS OTHERWISE NOTED. SEE 'BRACED WALL PANEL DETAIL SHEET' FOR SPECIAL WALL FRAMING LOCATIONS AND HEADER SIZES, IF APPLICABLE.
 - SEE STANDARD DETAIL CATEGORY 'IT' SHEET(S) FOR INTERIOR TRIM DETAILS.
 - SEE ARCHITECTURAL DETAIL SHEET 'AD' FOR HOUSE SPECIFIC INTERIOR TRIM OPTION TABLE.
 - ALL WINDOWS HAVE 7'-0 1/2" HEADER HEIGHT UNLESS OTHERWISE NOTED.
 - ALL HEADERS IN NON-BEARING WALLS SHALL BE A SINGLE FLAT 2x4 OR 2x6 ATTACHED TO CRIPPLES ABOVE, UNLESS OTHERWISE NOTED.
 - TANKED WATER HEATER SHOWN AS BASE CONDITION, OPTIONAL TANKLESS WATER HEATER IS AVAILABLE IN LIEU OF TANKED WATER HEATER.

- GYPSTUM NOTES**
- AT GARAGE:**
GYPSUM BOARD AT COMMON HALLS, CEILING, BEAM WRAPS AND SUPPORTS PER STANDARD DETAIL FA-(b) FIRE ASSEMBLIES OR AS REQUIRED BY LOCAL CODE.
- AT STAIRS:**
1/2" GYPSUM BOARD AT UNDERSIDE OF STAIRS AND WALLS IN CLOSET

DIV-COMM-LOT-UNIT DCY-VG-T657	
COMM-LOT	VLGES OF WINDING CREEK WARR CO - T657
STREET ADDRESS	4863 WINDING CREEK BLVD
CITY	CENTERVILLE
STATE	OH
ZIP	45459

© NVR, Inc. expressly reserves the right to modify these plans without notice. These plans are not to be reproduced, changed or copied in any way without the written consent of NVR, Inc.

NVR	NVR, Inc. Suite 100 Frederick, MD 21703
------------	--

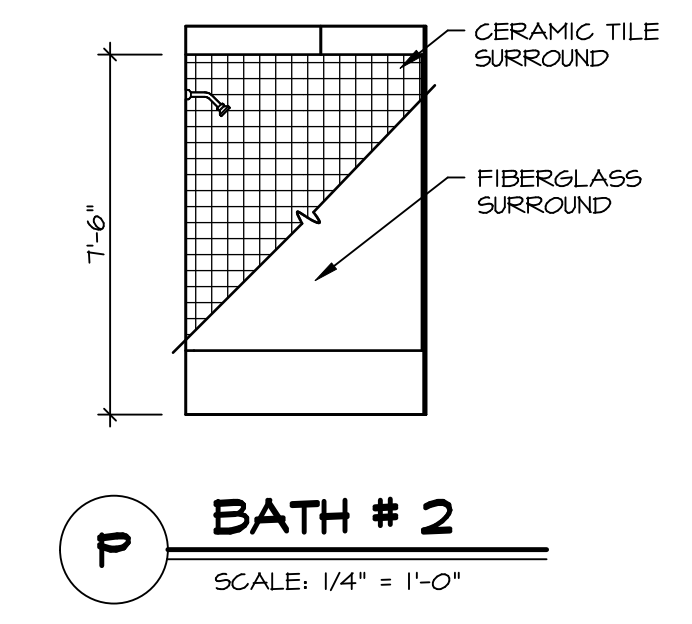
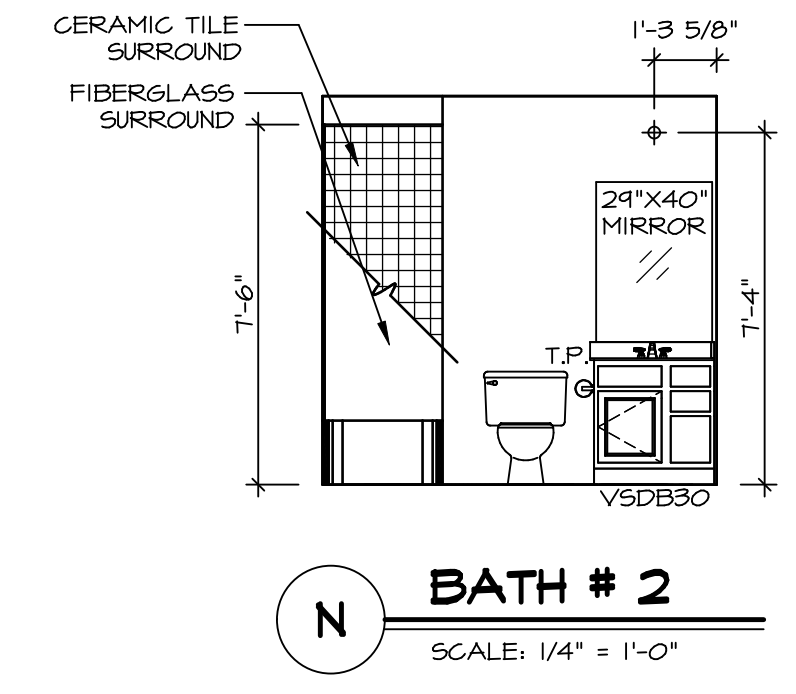
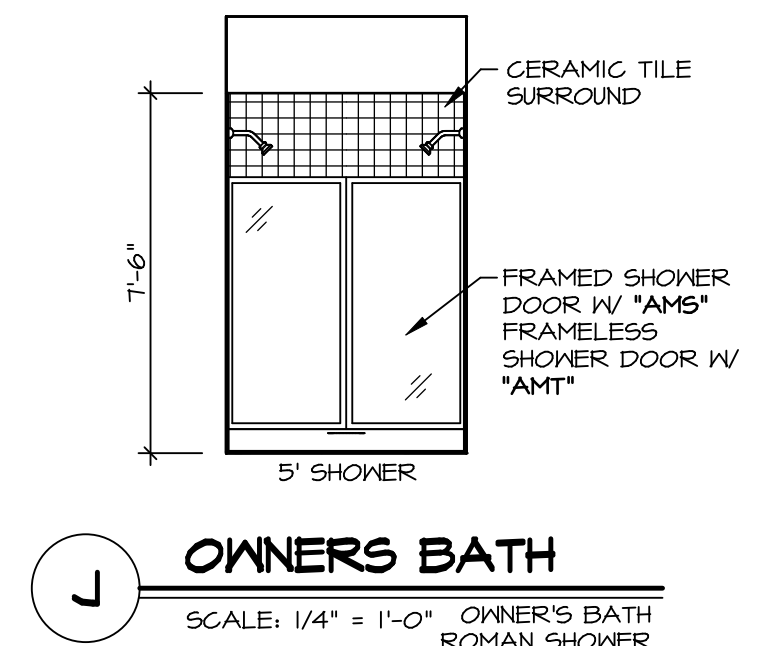
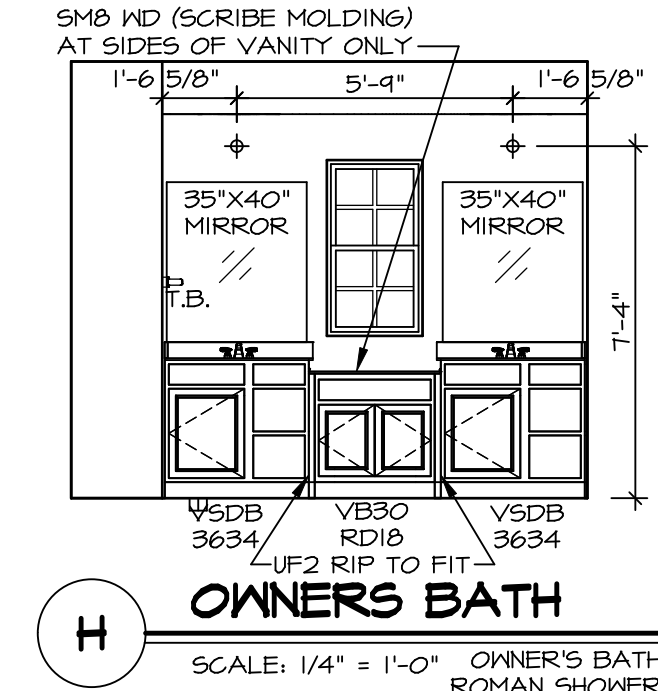
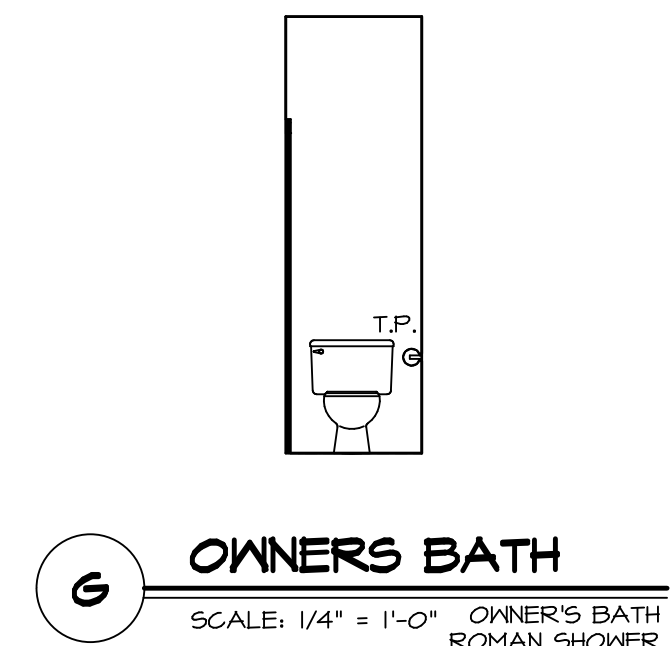
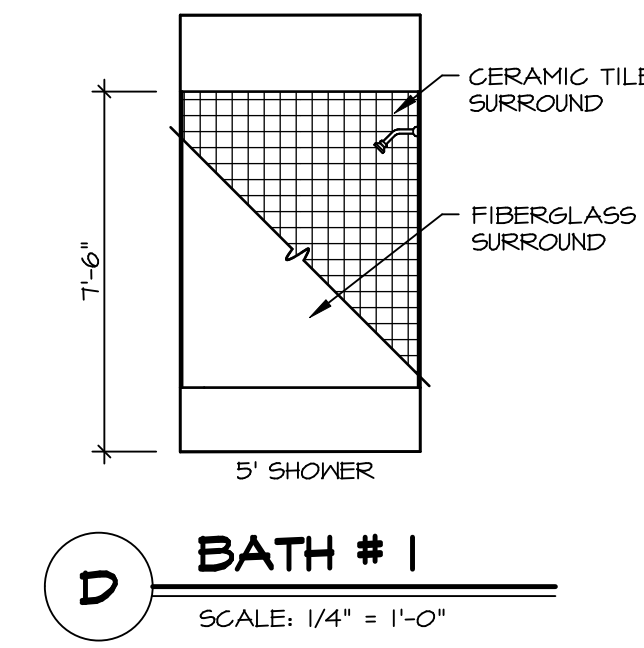
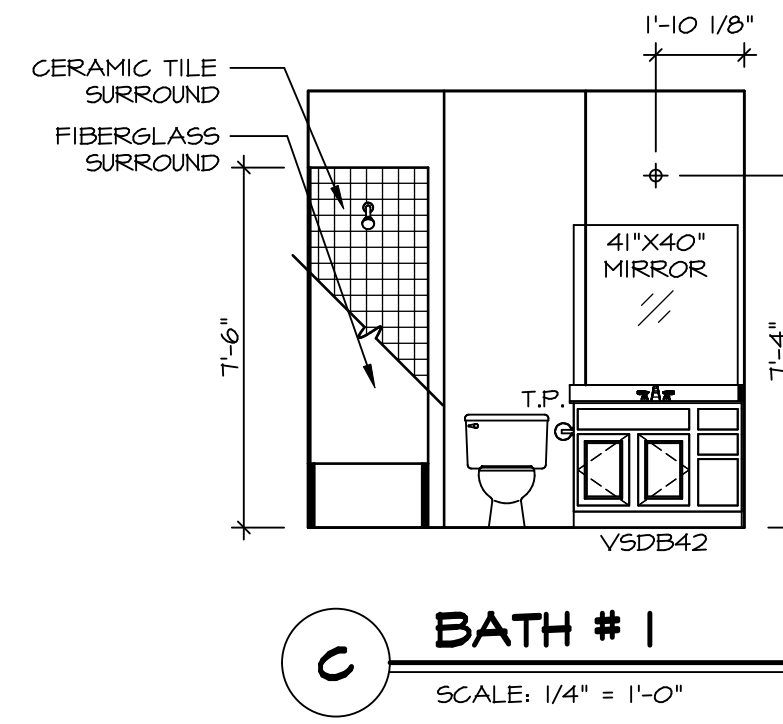
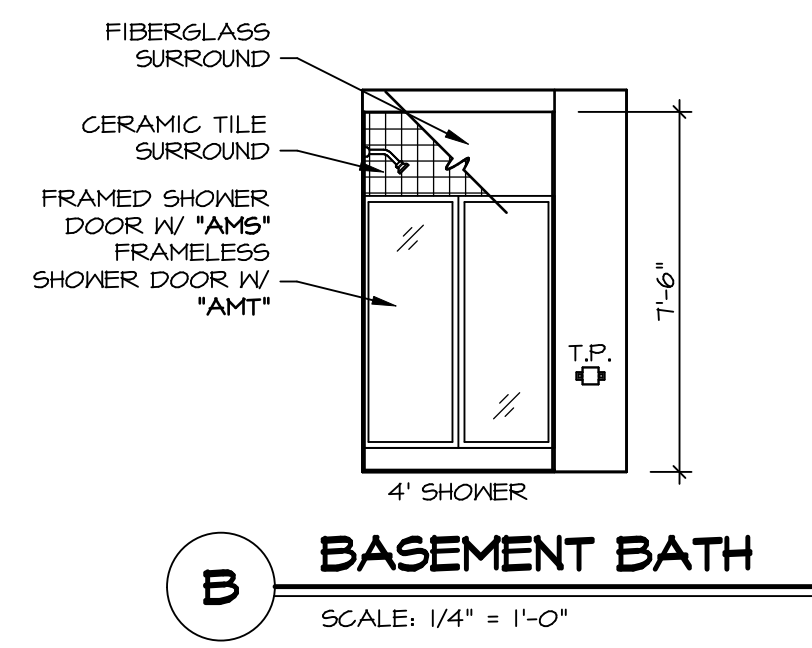
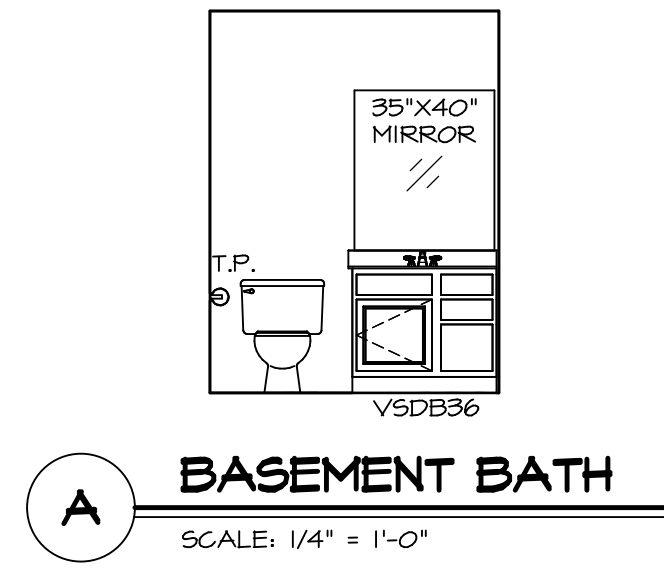
SET NO. CMB00	VERSION 01
DRAWN BY RDB	DATE:
OPTION	OPTION

MODEL CUMBERLAND	DRAWING TITLE BASEMENT FLOOR PLAN
SHEET NO. A-6	OPTION DESCRIPTION 46

C:\NVR\Solves\CUMBERLAND_CMB00_01\DCY-VG-T657\2385192\Sheets\Lot_Spec\16 A-6 BSMT L.S.dwg 10/01/21 - 5:10 PM

NOTES:

1. TEMPERED GLASS SHOWER ENCLOSURE WITH SWING DOOR OR OPTIONAL SLIDING DOOR BY DIVISION
2. TUB ACCESS PANELS PROVIDED AS NEEDED, ALL MATERIALS BY DIVISION
3. REFER TO SHEET IT-2 FOR TUB AND SHOWER DETAILS.
4. ALL V5DB24-42 DRAWERS TO BE SET ON RIGHT HAND.
5. ALL BATH ELEVATIONS ARE SHOWN PER PLAN.



SHEET NO. A-14	MODEL CUMBERLAND	DRAWING TITLE BATH ELEVATIONS	OPTION DESCRIPTION	SET NO. CVB00	VERSION 01	DRAWN BY RDB	DATE:	OPTION
				© NVR, Inc. expressly reserves the right to modify or change these plans without notice. These plans are not to be reproduced, changed or copied in any way without the written consent of NVR, Inc.				
DIV-COMM-LOT-UNIT DCY-VG-T657 COMM-LOT VLGES OF WINDING CREEK WARR CO - T657 STREET ADDRESS 4863 WINDING CREEK BLVD CITY STATE OH CENTERVILLE OH APT. NO. --- ZIP 45459				NVR, Inc. 5285 Westminister Frederick, MD 21703				
SHEET NO. 78				C:\NVR\Solves\CUMBERLAND_CMB00_01\DCY-VG-T657\2385192\Sheets\Lot_Specific\78 A-14_BATH_LS.dwg 10/01/21 - 5:11 PM				