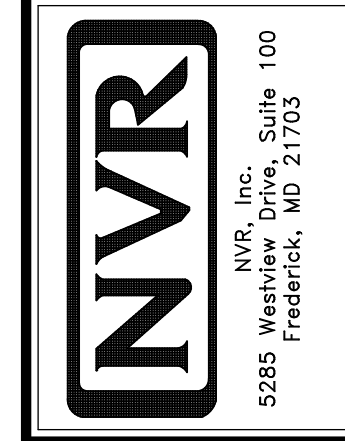


1
A-5 **PLUMBING PLAN**
SCALE: 1/4" = 1'-0"

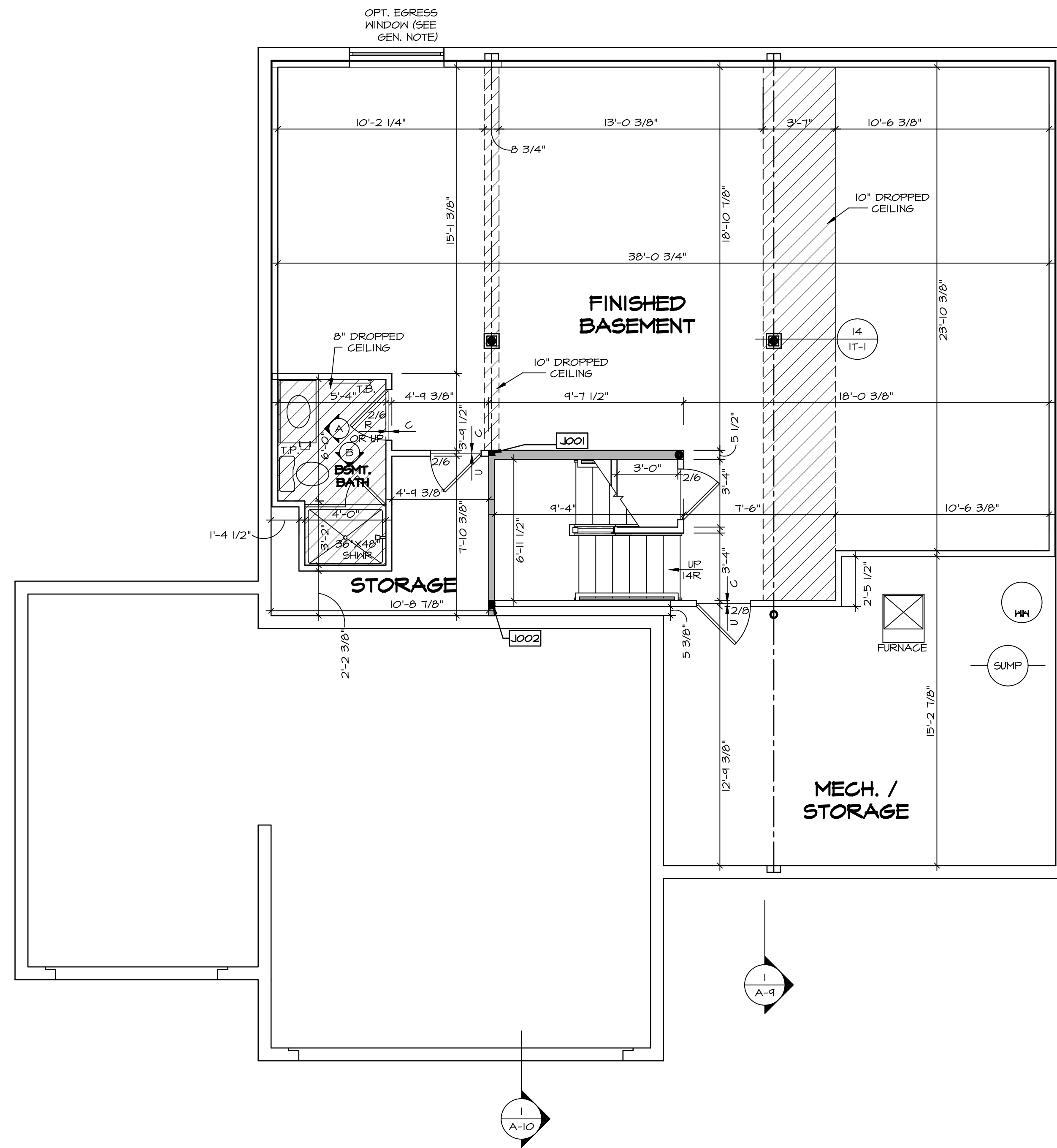
NOTE
 RADON REMEDIATION
 RADON LOOP:
 - (4") PERFORATED HDPE "LOOP"
 - MUST BE PLACED IN STONE BED SLIGHTLY HIGHER THAN ANY INTERIOR DRAINTILE
 - LOOP TO BE SEPARATE FROM ANY DRAINTILE ELEMENTS
 - TO BE CORRUGATED HDPE PIPE
 - SCREENS TO BE INSTALLED THROUGH LOOP AT TEE UP INTO STACK
 STACK REQUIREMENTS:
 - 3" PVC STACK (4" IF BASEMENT IS GREATER THAN 2200 SQFT.)
 - NO PART OF STACK IS TO BE HORIZONTAL
 - PIPE TO BE PHYSICALLY LABELED IN THE FIELD AS "RADON VENT" OR OTHER JURISDICTIONALLY REQUIRED LANGUAGE (ON EVERY LEVEL OF HOUSE)
 - ROOF TERMINATION TO BE IN TOP 1/3 OF ROOF
 - SCREEN INSTALLED TO KEEP PESTS OUT OF RADON VENT AT ROOF TERMINATION

SHEET NO.	MODEL	SET NO.	VERSION
A-5	LEHIGH	LGH00_01	01
	DRAWING TITLE	DRAWN BY	
	PLUMBING PLAN		
	OPTION DESCRIPTION	DATE:	OPTION



© NVR, Inc. expressly reserves the right to modify or amend these plans at any time without notice. These plans are not to be reproduced, changed or altered in any way without the written consent of NVR, Inc.

DIV-COMM-LOT-UNIT	DCY-YG-T725
COMM-LOT	YVLS OF WINDING CREEK WARR CO - T725
STREET ADDRESS	4751 WINDING CREEK BLYD
CITY	CENTERVILLE
STATE	OH
ZIP	45459
APT. NO.	D



BASEMENT FLOOR PLAN
SCALE: 1/4" = 1'-0"

LEGEND

	BEARING WALL
	NON BEARING WALL
	INDICATES BEARING FROM POINT-LOAD ABOVE
	JACKS
	BEAM/HEADER
	FOOTING/THICKENED SLAB
	STEEL COLUMN
	TRUSS TIE DOWN
	PORTAL FRAME
	JOIST/TRUSS
	LVL
	ENGINEERING PAGE NUMBER

-SEE EA DETAILS FOR FIRE ASSEMBLIES
-SEE EC DETAILS FOR FRAMING CONNECTORS

- FLOOR PLAN NOTES**
- ALL HEADERS ARE (2) 2x6 w/ 2x4 WALLS OR (3) 2x6 w/ 2x6 WALLS, UNLESS OTHERWISE NOTED.
 - ALL HEADERS TO HAVE (1) 2x4 OR 2x6 JACK AND KING STUD EACH END, UNLESS OTHERWISE NOTED.
 - ALL EXTERIOR WALLS TO BE 4" w/ OSB OR 3 1/2" w/ LAMINATED FIBROUS STRUCTURAL SHEATHING. ALL INTERIOR WALLS TO BE 3 1/2" UNLESS OTHERWISE NOTED.
 - HATCHED AREAS INDICATE DROPPED CEILINGS. ALL DROPPED CEILINGS ARE 12" UNLESS OTHERWISE NOTED.
 - SEE "BRACED WALL PANEL DETAIL SHEET" FOR SPECIAL WALL FRAMING LOCATIONS AND HEADER SIZES, IF APPLICABLE.
 - SEE STANDARD DETAIL CATEGORY "IT" SHEET(S) FOR INTERIOR TRIM DETAILS.
 - SEE ARCHITECTURAL DETAIL SHEET "AD" FOR HOUSE SPECIFIC INTERIOR TRIM OPTION TABLE.
 - ALL WINDOWS HAVE 7'-0 1/2" HEADER HEIGHT UNLESS OTHERWISE NOTED.
 - ALL HEADERS IN NON-BEARING WALLS SHALL BE A SINGLE FLAT 2X4 OR 2X6 ATTACHED TO CRIPPLES ABOVE, UNLESS OTHERWISE NOTED.
 - TANKED WATER HEATER SHOWN AS BASE CONDITION. OPTIONAL TANKLESS WATER HEATER IS AVAILABLE IN LIEU OF TANKED WATER HEATER.

- GYPSUM NOTES**
- AT GARAGE:
GYPSUM BOARD AT COMMON WALLS, CEILINGS, BEAM WRAPS AND SUPPORTS PER STANDARD DETAIL FA-1(b) FIRE ASSEMBLIES OR AS REQUIRED BY LOCAL CODE.
- AT STAIRS:
1/2" GYPSUM BOARD AT UNDERSIDE OF STAIRS AND WALLS IN CLOSET

BASEMENT JACK SCHEDULE

IDENTIFIER	DESCRIPTION	OPTIONS	ENG. N.M.	REMARKS
J001	JACK - (2) 2X4 SFF STUD GRADE		BO004, BO015	
J002	JACK - (3) 2X4 SFF STUD GRADE		BO007	

DCY-Y6-T725

DCY-Y6-T725

4751 WINDING CREEK BLVD
CENTERVILLE, OH 45459

4751 WINDING CREEK BLVD
CENTERVILLE, OH 45459

© NVR, Inc. expressly reserves the right to modify these plans without notice. These plans are not to be reproduced, changed or altered in any way without the written consent of NVR, Inc.

NVR
NVR, Inc. Suite 100
Frederick, MD 21703

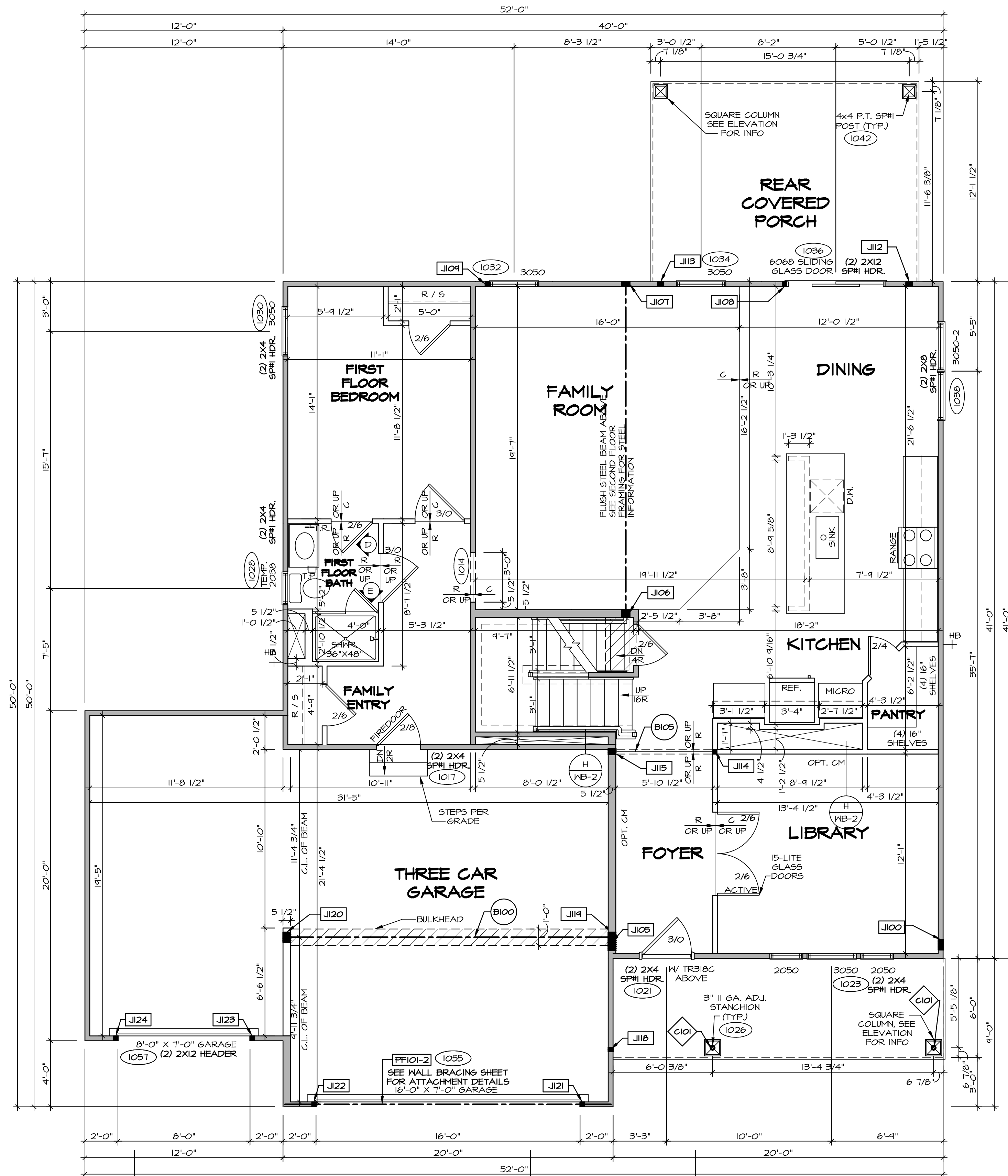
SET NO. LGH00
VERSION 01
DRAWN BY
DATE:
OPTION

MODEL
LEHIGH
DRAWING TITLE
BASEMENT FLOOR PLAN
OPTION DESCRIPTION

A-6

28

C:\NVR\Solves\LEHIGH_LGH00_01\DCY-Y6-T725\2549668\Sheets\Lot_Specific\28_A-6_BSMT_LS.dwg 04/27/22 - 2:31 am



FIRST FLOOR PLAN
SCALE: 1/4" = 1'-0"

FLOOR PLAN NOTES

- ALL HEADERS ARE (2) 2x6 W/ 2x4 WALLS OR (3) 2x6 W/ 2x6 WALLS, UNLESS OTHERWISE NOTED.
- ALL HEADERS TO HAVE (1) 2x4 OR 2x6 JACK AND KING STUD EACH END, UNLESS OTHERWISE NOTED.
- ALL EXTERIOR WALLS TO BE 4" W/ OSB OR 3 1/2" W/ LAMINATED FIBROUS STRUCTURAL SHEATHING, ALL INTERIOR WALLS TO BE 3 1/2", UNLESS OTHERWISE NOTED.
- HATCHED AREAS INDICATE DROPPED CEILINGS. ALL DROPPED CEILINGS ARE 12" UNLESS OTHERWISE NOTED. SEE "BRACED WALL PANEL DETAIL SHEET" FOR SPECIAL WALL FRAMING LOCATIONS AND HEADER SIZES, IF APPLICABLE.
- SEE STANDARD DETAIL CATEGORY "IT" SHEET(S) FOR INTERIOR TRIM DETAILS.
- SEE ARCHITECTURAL DETAIL SHEET "AD" FOR HOUSE SPECIFIC INTERIOR TRIM OPTION TABLE.
- ALL WINDOWS HAVE 1" O 1/2" HEADER HEIGHT UNLESS OTHERWISE NOTED.
- ALL HEADERS IN NON-BEARING WALLS SHALL BE A SINGLE FLAT 2x4 OR 2x6 ATTACHED TO CRIPPLES ABOVE, UNLESS OTHERWISE NOTED.
- TANKED WATER HEATER SHOWN AS BASE CONDITION, OPTIONAL TANKLESS WATER HEATER IS AVAILABLE IN LIEU OF TANKED WATER HEATER.

GYPSON NOTES

- AT GARAGE:**
GYPSUM BOARD AT COMMON WALLS, CEILINGS, BEAM WRAPS AND SUPPORTS PER STANDARD DETAIL FA-A(b) FIRE ASSEMBLIES OR AS REQUIRED BY LOCAL CODE.
- AT STAIRS:**
1/2" GYPSUM BOARD AT UNDERSIDE OF STAIRS AND WALLS IN CLOSET

LEGEND

- BEARING WALL
 - NON BEARING WALL
 - INDICATES BEARINGS FROM POINT-LOAD ABOVE
 - JACKS
 - BEAM/HEADER
 - FOOTING/THICKENED SLAB
 - STEEL COLUMN
 - TRUSS TIE DOWN
 - PORTAL FRAME
 - JOIST/TRUSS
 - LVL
 - ENGINEERING PAGE NUMBER
- SEE EA DETAILS FOR FIRE ASSEMBLIES
-SEE EC DETAILS FOR FRAMING CONNECTORS

FIRST FLOOR JACK SCHEDULE

IDENTIFIER	DESCRIPTION	OPTIONS	ENG. NUM.
J100	JACK - (5) 2X4 SPP#		2000
J105	JACK - (4) 2X6 SPP STUD GRADE	ELL	2000
J106	JACK - (4) 2X6 SPP STUD GRADE		1016
J107	JACK - (4) 2X4 SPP STUD GRADE		1016
J108	JACK - (2) 2X4 SPP STUD GRADE		1036
J109	JACK - (2) 2X4 SPP STUD GRADE		1032
J113	JACK - (3) 2X4 SPP STUD GRADE	EPE	1042
J114	JACK - (2) 2X4 SPP STUD GRADE	EPE	1042
J115	JACK - (3) 2X6 SPP STUD GRADE		1073
J118	JACK - (2) 2X4 SPP STUD GRADE		1026
J119	JACK - (5) 2X6 SPP#	SXC	1044, 1044
J120	JACK - (5) 2X6 SPP STUD GRADE	GCB, GCF	1044, 1044
J121	JACK - (2) 2X4 SPP STUD GRADE	GCB, GCF	1055
J122	JACK - (2) 2X4 SPP STUD GRADE	GCB, GCF	1055
J123	JACK - (2) 2X4 SPP STUD GRADE	GCF	1051
J124	JACK - (2) 2X4 SPP STUD GRADE	GCF	1051

LVL PLY TO PLY FASTENING SCHEDULE: (WHERE APPLICABLE BASED ON LVL USAGE)

- 2 - (2) PLY UP TO AND INCLUDING 11 7/8" TALL; FASTEN PLYS W/ (2) ROWS 16D NAILS AT 12" O.C. OR ALT 1 1/2" WIDE LVL FASTEN PLYS W/ (3) ROWS 12D NAILS AT 12" O.C.
- 2A - (2) PLY 14" TO AND 18" TALL (INCLUSIVE); FASTEN PLYS W/ (3) ROWS 16D NAILS AT 12" O.C. OR ALT 1 1/2" WIDE LVL FASTEN PLYS W/ (4) ROWS 12D NAILS AT 12" O.C.
- 3A - (2) PLY 20" TALL AND OVER; FASTEN PLYS W/ (4) ROWS 16D NAILS AT 12" O.C. OR ALT 1 1/2" WIDE LVL FASTEN PLYS W/ (5) ROWS 12D NAILS AT 12" O.C.
- 4A - (3) PLY UP TO AND INCLUDING 11 7/8" TALL; FASTEN PLYS W/ (2) ROWS 16D NAILS AT 12" O.C. FROM EACH SIDE OR ALT 1 1/2" WIDE LVL FASTEN PLYS W/ (3) ROWS 12D NAILS AT 12" O.C. FROM EACH SIDE.
- 5A - (3) PLY 14" TO AND 18" TALL (INCLUSIVE); FASTEN PLYS W/ (4) ROWS 16D NAILS AT 12" O.C. FROM EACH SIDE OR ALT 1 1/2" WIDE LVL FASTEN PLYS W/ (4) ROWS 12D NAILS AT 12" O.C. FROM EACH SIDE.
- 6A - (3) PLY 20" TALL AND OVER; FASTEN PLYS W/ (4) ROWS 16D NAILS AT 12" O.C. FROM EACH SIDE OR ALT 1 1/2" WIDE LVL FASTEN PLYS W/ (5) ROWS 12D NAILS AT 12" O.C. FROM EACH SIDE.
- 7A - (4) PLY (ALL SIZES); FASTEN PLYS W/ (2) ROWS 1/2" DIAMETER A307 BOLTS AT 24" O.C. SEE SHOP DRAWING FOR ADDITIONAL INFORMATION.

FIELD INSTALLED FIRST FLOOR BEAM/HEADER SCHEDULE

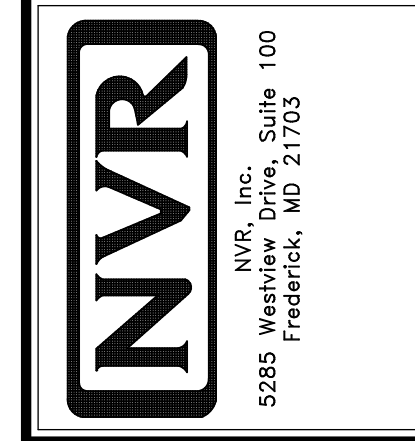
IDENTIFIER	DESCRIPTION	LENGTH	OPTIONS	ENG. NUM.	REMARKS
B100	BEAM STEEL - W12X35	20'-1 1/2"	SXC	1044, 1044	
B105	INT HEADER - 2XB - 2 PLY	6'-1"		1073	
PF101-2	LVL 175 - 11-04	19'-4"	GCB, GCF	1055	2-PLY, 1A, PORTAL FRAME

STEEL COLUMN SCHEDULE

IDENTIFIER	STYLE	HEIGHT	OPTIONS	ENG. NUM.	REMARKS
C101	STANCHION PORCH - 3 IN DIA 116A ADJ	8'-8 5/8"		1026	

DCY-V6-T725
 4751 WINDING CREEK BLVD
 CENTERVILLE, OH 45458
 STATE OH ZIP 45458

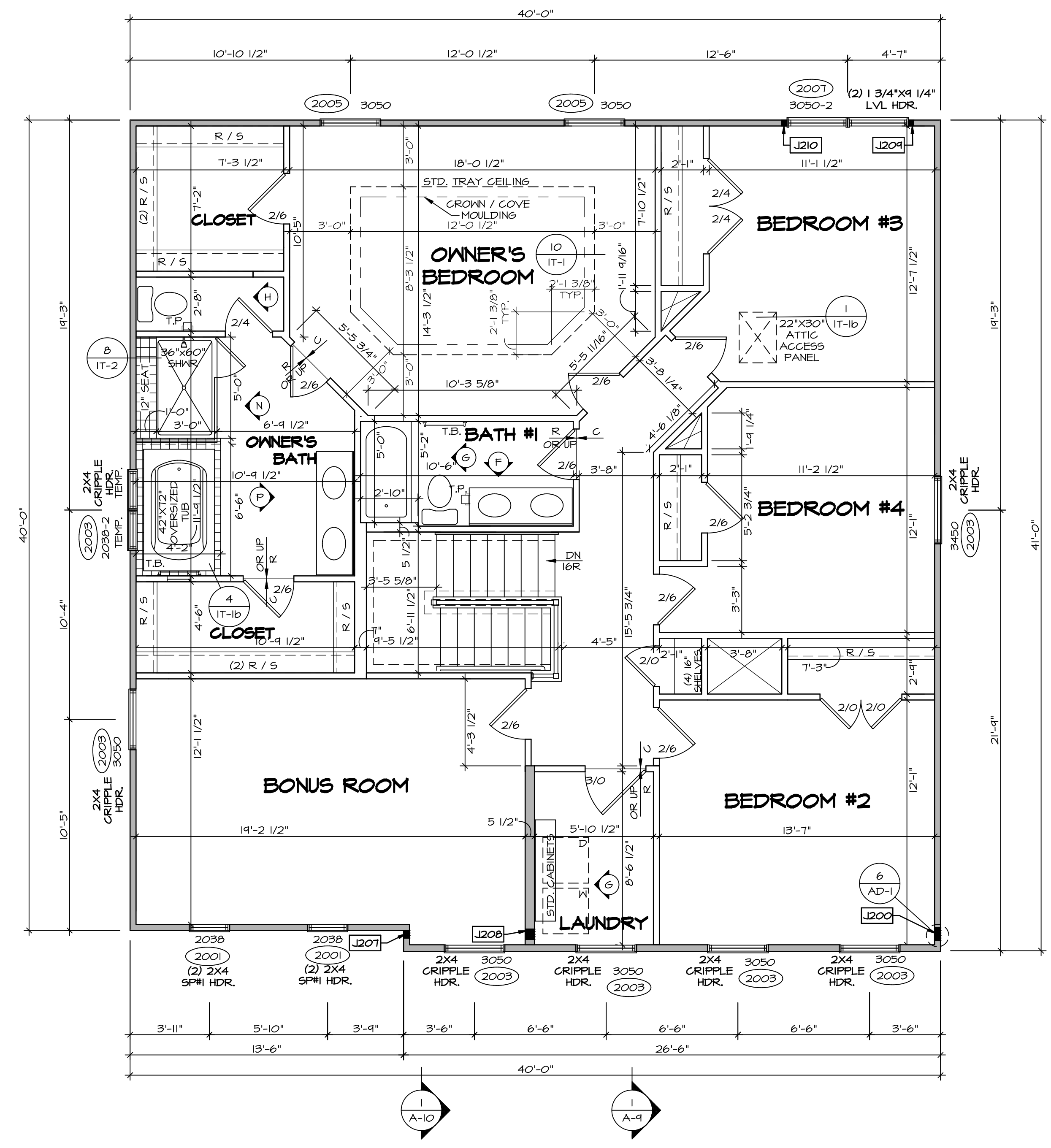
NVR, Inc. expressly reserves the right to modify these plans without notice. No changes or alterations shall be made to these plans without the written consent of NVR, Inc.



SET NO. LGH00
 VERSION 01
 DRAWN BY
 DATE:
 OPTION

MODEL LEHIGH
 DRAWING TITLE FIRST FLOOR PLAN
 OPTION DESCRIPTION

SHEET NO. A-7
 30



SECOND FLOOR PLAN
SCALE: 1/4" = 1'-0"

LEGEND

	BEARING WALL
	NON BEARING WALL
	INDICATES BEARING FROM POINT-LOAD ABOVE
	JACKS
	BEAM/HEADER
	FOOTING/THICKENED SLAB
	STEEL COLUMN
	TRUSS TIE DOWN
	PORTAL FRAME
	JOIST/TRUSS
	LVL
	ENGINEERING PAGE NUMBER

-SEE EA DETAILS FOR FIRE ASSEMBLIES
-SEE EC DETAILS FOR FRAMING CONNECTORS

- FLOOR PLAN NOTES**
- ALL HEADERS ARE (2) 2x6 w/ 2x4 WALLS OR (3) 2x6 w/ 2x6 WALLS, UNLESS OTHERWISE NOTED.
 - ALL HEADERS TO HAVE (1) 2x4 OR 2x6 JACK AND KING STUD EACH END, UNLESS OTHERWISE NOTED.
 - ALL EXTERIOR WALLS TO BE 4" w/ OSB OR 3 1/2" w/ LAMINATED FIBROUS STRUCTURAL SHEATHING. ALL INTERIOR WALLS TO BE 3 1/2" UNLESS OTHERWISE NOTED.
 - HATCHED AREAS INDICATE DROPPED CEILING. ALL DROPPED CEILING ARE 12" UNLESS OTHERWISE NOTED.
 - SEE "BRACED WALL PANEL DETAIL SHEET" FOR SPECIAL WALL FRAMING LOCATIONS AND HEADER SIZES, IF APPLICABLE.
 - SEE STANDARD DETAIL CATEGORY "IT" SHEET(S) FOR INTERIOR TRIM DETAILS.
 - SEE ARCHITECTURAL DETAIL SHEET "AD" FOR HOUSE SPECIFIC INTERIOR TRIM OPTION TABLE.
 - ALL WINDOWS HAVE 1'-0 1/2" HEADER HEIGHT UNLESS OTHERWISE NOTED.
 - ALL HEADERS IN NON-BEARING WALLS SHALL BE A SINGLE FLAT 2x4 OR 2x6 ATTACHED TO CRIPPLES ABOVE, UNLESS OTHERWISE NOTED.
 - TANKED WATER HEATER SHOWN AS BASE CONDITION. OPTIONAL TANKLESS WATER HEATER IS AVAILABLE IN LIEU OF TANKED WATER HEATER.

- GYPSUM NOTES**
- AT GARAGE:
GYPSUM BOARD AT COMMON WALLS, CEILING, BEAM WRAPS AND SUPPORTS PER STANDARD DETAIL FA-1(b) FIRE ASSEMBLIES OR AS REQUIRED BY LOCAL CODE.
- AT STAIRS:
1/2" GYPSUM BOARD AT UNDERSIDE OF STAIRS AND WALLS IN CLOSET

SECOND FLOOR JACK SCHEDULE

IDENTIFIER	DESCRIPTION	OPTIONS	ENG. NUM.	REMARKS
J200	JACK - (5) 2X4 SPP1		2000	1/8"x3 1/2"x1 1/2" STEEL BEARING PLATE, EXTEND THRU TOP PLATES
J207	JACK - (3) 2X4 SPP STUD GRADE	ELL	2000	
J208	JACK - (4) 2X4 SPP STUD GRADE	ELL	2000	EXTEND THRU TOP PLATE
J209	JACK - (2) 2X4 SPP STUD GRADE		2007	
J210	JACK - (2) 2X4 SPP STUD GRADE		2007	

DCY-Y6-T725

BIV-COMM-LOT-UNIT

COMM-LOT

VILGES OF WINDING CREEK WARR CO - T725

STREET ADDRESS

4751 WINDING CREEK BLVD

CITY

CENTERVILLE

STATE

OH

ZIP

45459

APRT. NO.

D

© NVR, Inc. expressly reserves the right to modify these plans without notice. These plans are not to be reproduced, changed or altered in any way without the written consent of NVR, Inc.

NVR

NVR, Inc. Suite 100
Fredericks, MD 21703

5285 Washington Blvd
Fredericks, MD 21703

SET NO. LGH00

VERSION 01

DRAWN BY

DATE:

OPTION

MODEL

LEHIGH

DRAWING TITLE

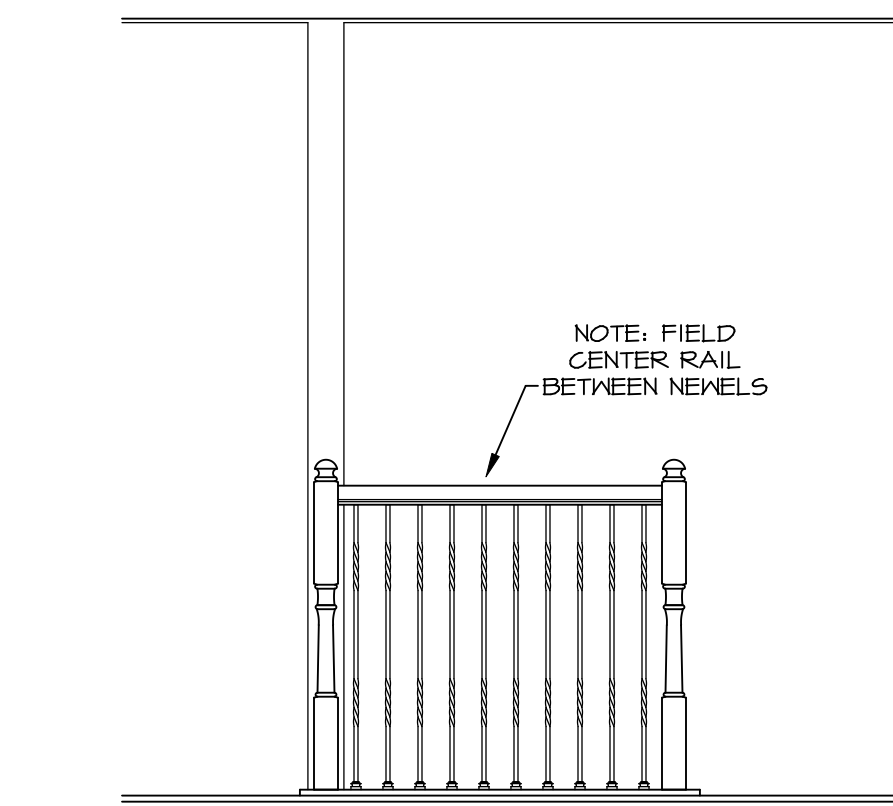
SECOND FLOOR PLAN

OPTION DESCRIPTION

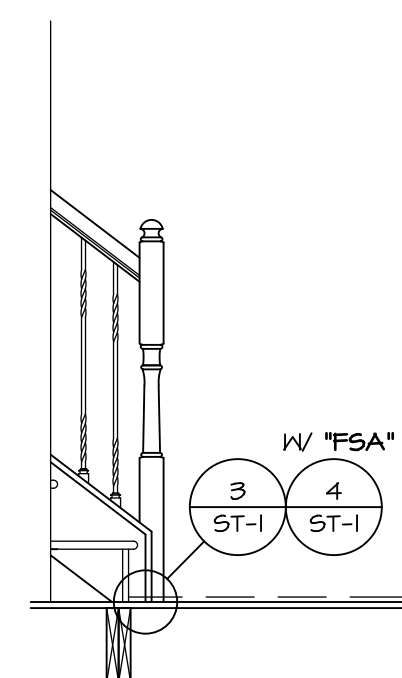
A-8

33

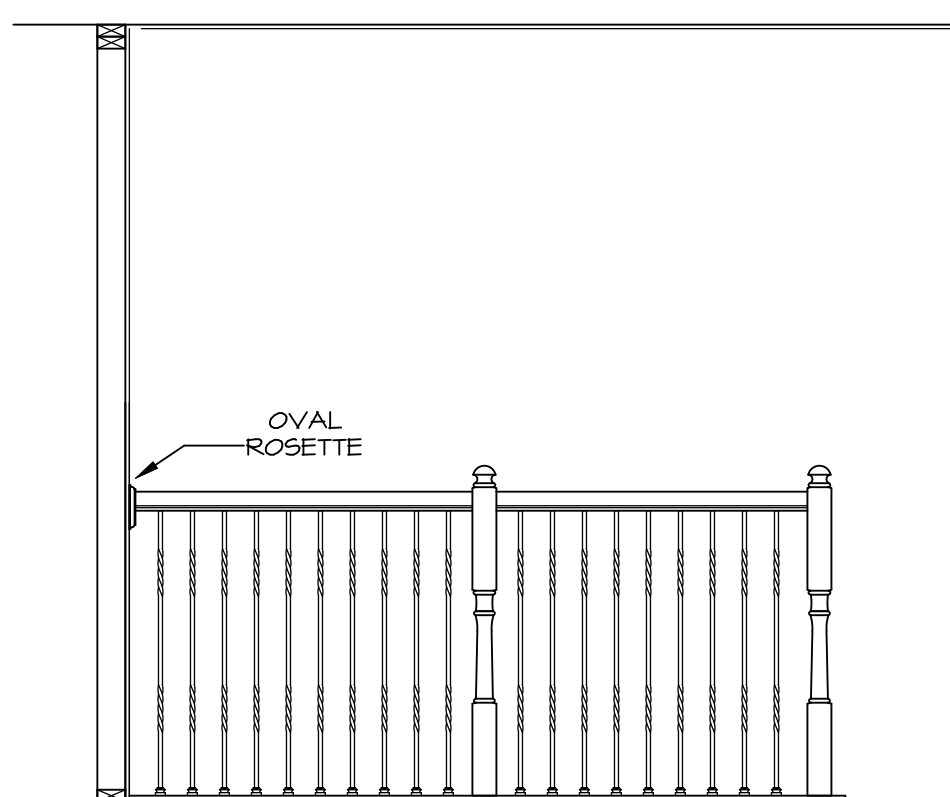
C:\NVR\Solves\LEHIGH_LG100_01\DCY-Y6-T725\2549668\Sheets\Lot_Specific\33_A-B_PLN2_LS.dwg 04/27/22 - 2:31 am



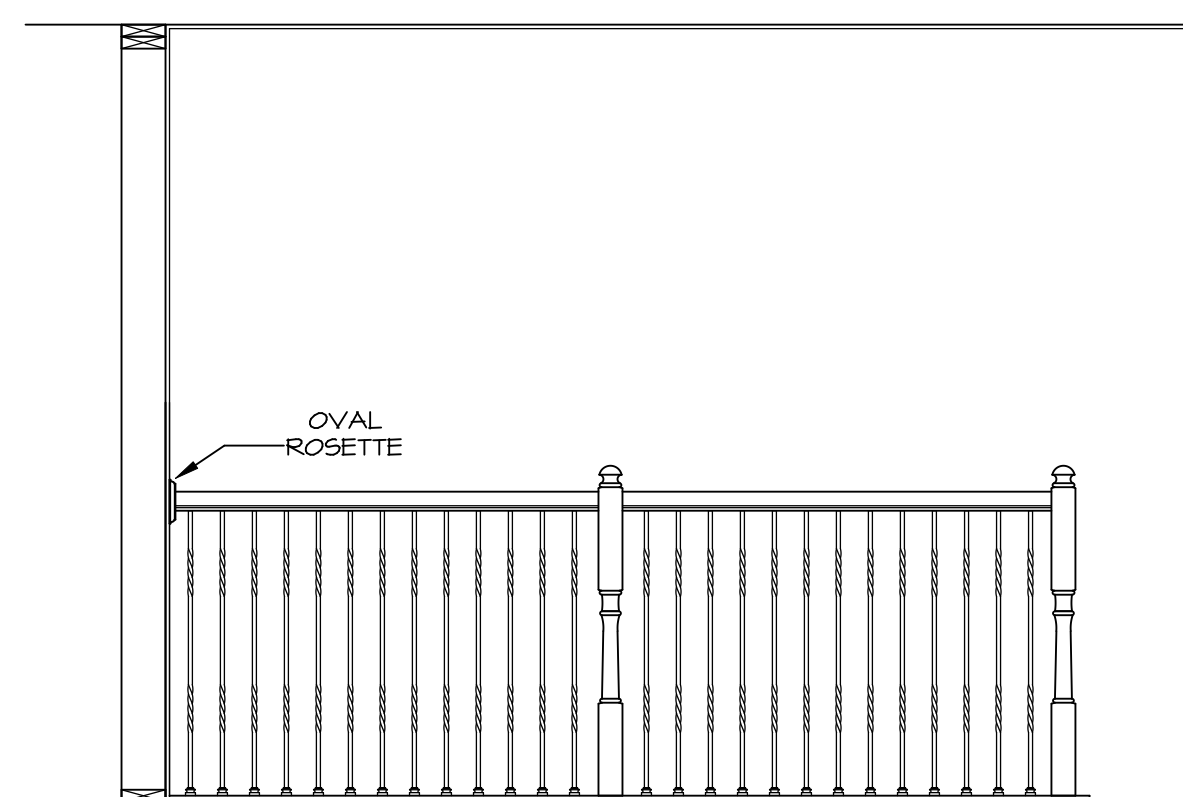
STAIR SECTION PARTIAL
SCALE: 1/2" = 1'-0"
6 A-II



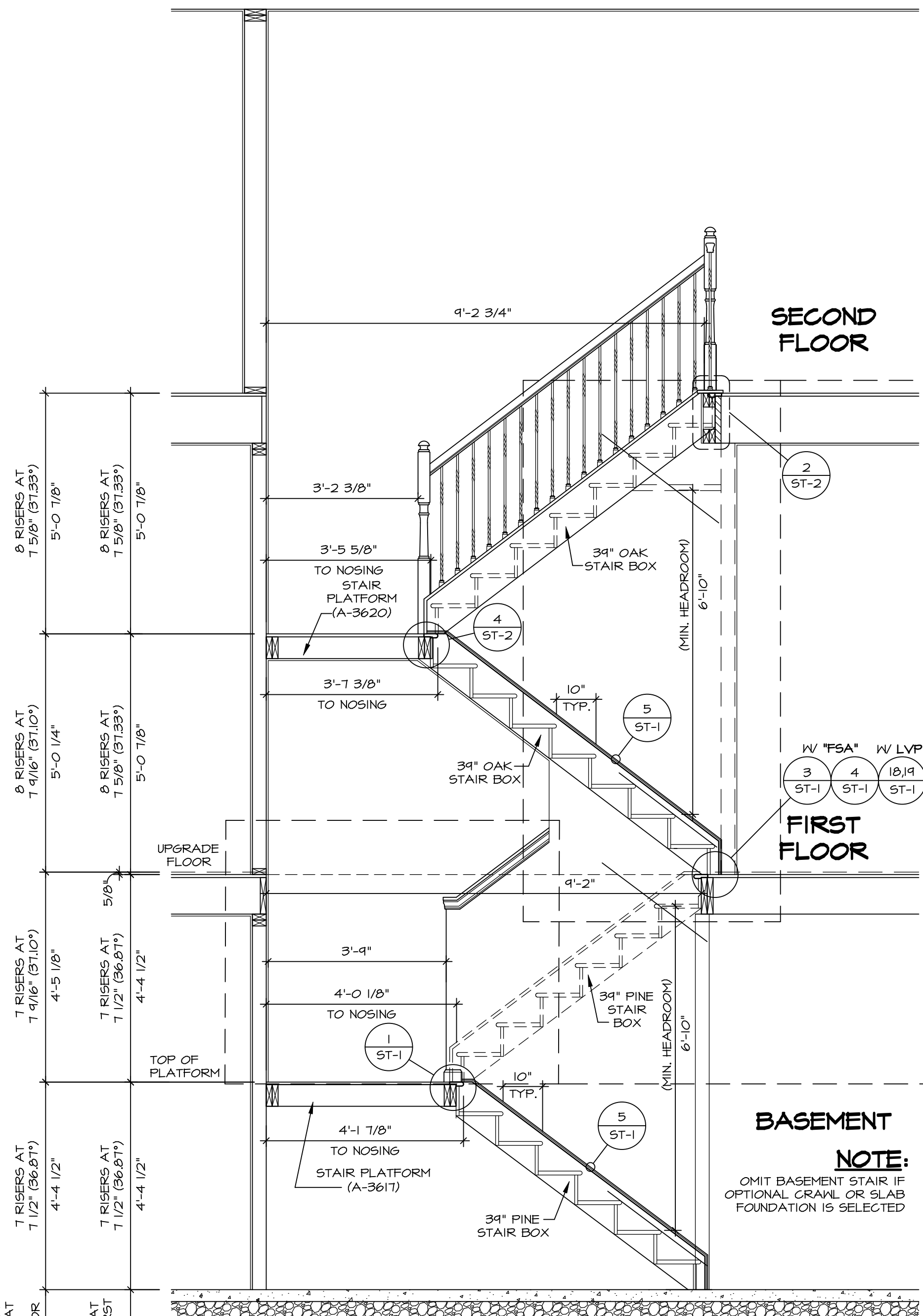
STAIR SECTION PARTIAL
SCALE: 1/2" = 1'-0"
5 A-II



STAIR SECTION PARTIAL
SCALE: 1/2" = 1'-0"
8 A-II



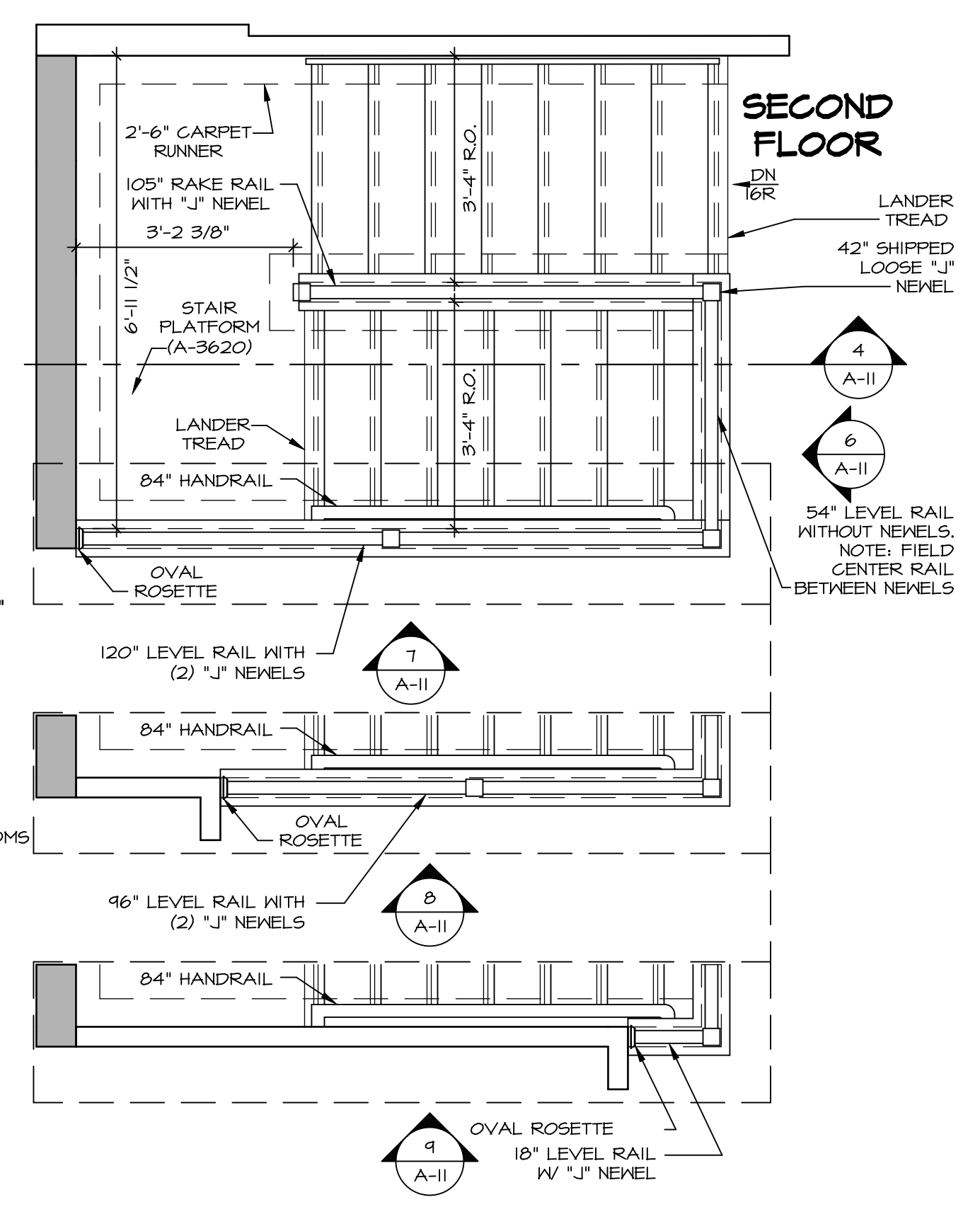
STAIR SECTION PARTIAL
SCALE: 1/2" = 1'-0"
7 A-II



STAIR SECTION
SCALE: 1/2" = 1'-0"
4 A-II

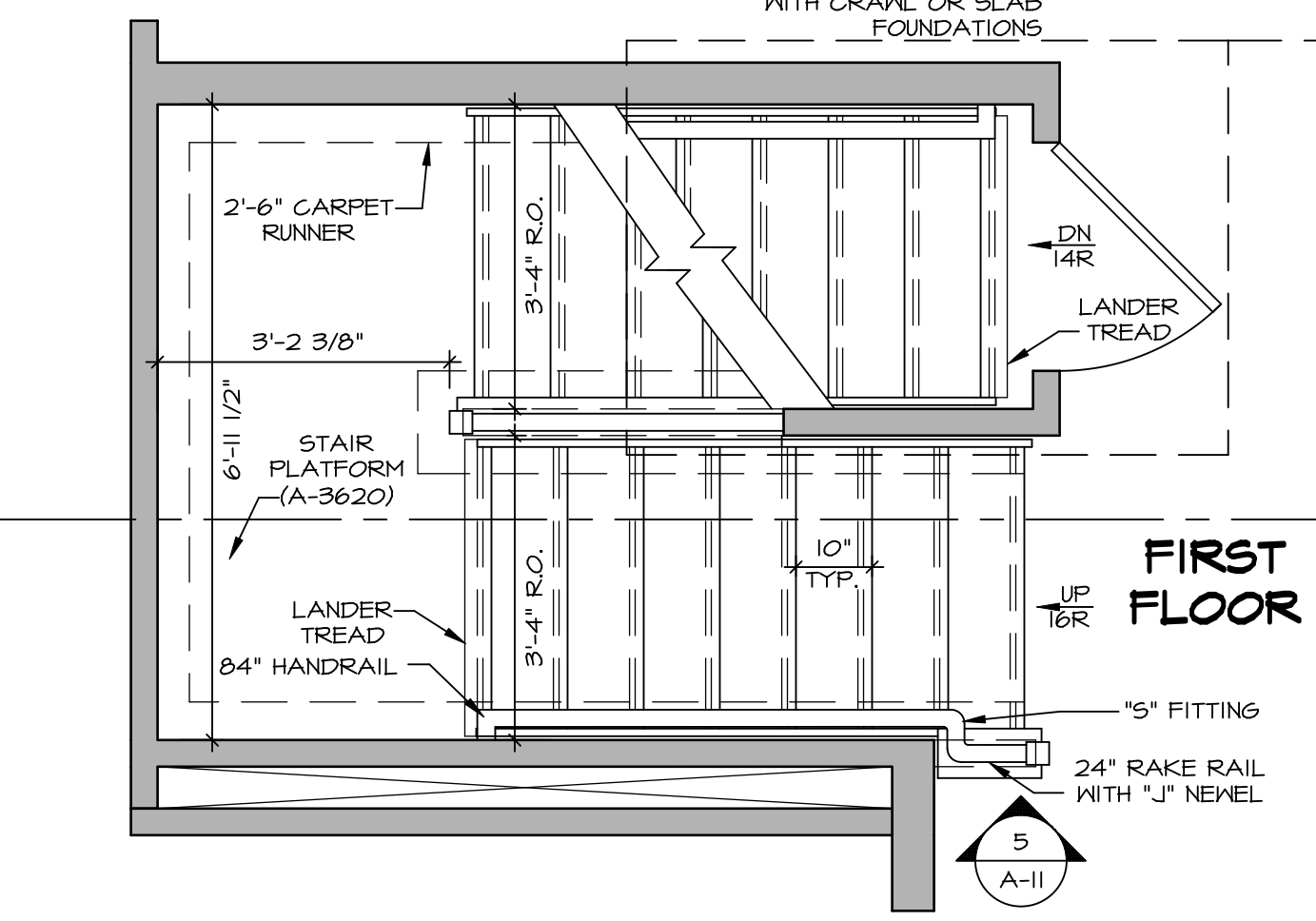
OAK STAIR, BASEPLATE / METAL BALUSTERS 'SMT'

NOTE:
OMIT BASEMENT STAIRS WITH CRANIL OR SLAB FOUNDATIONS

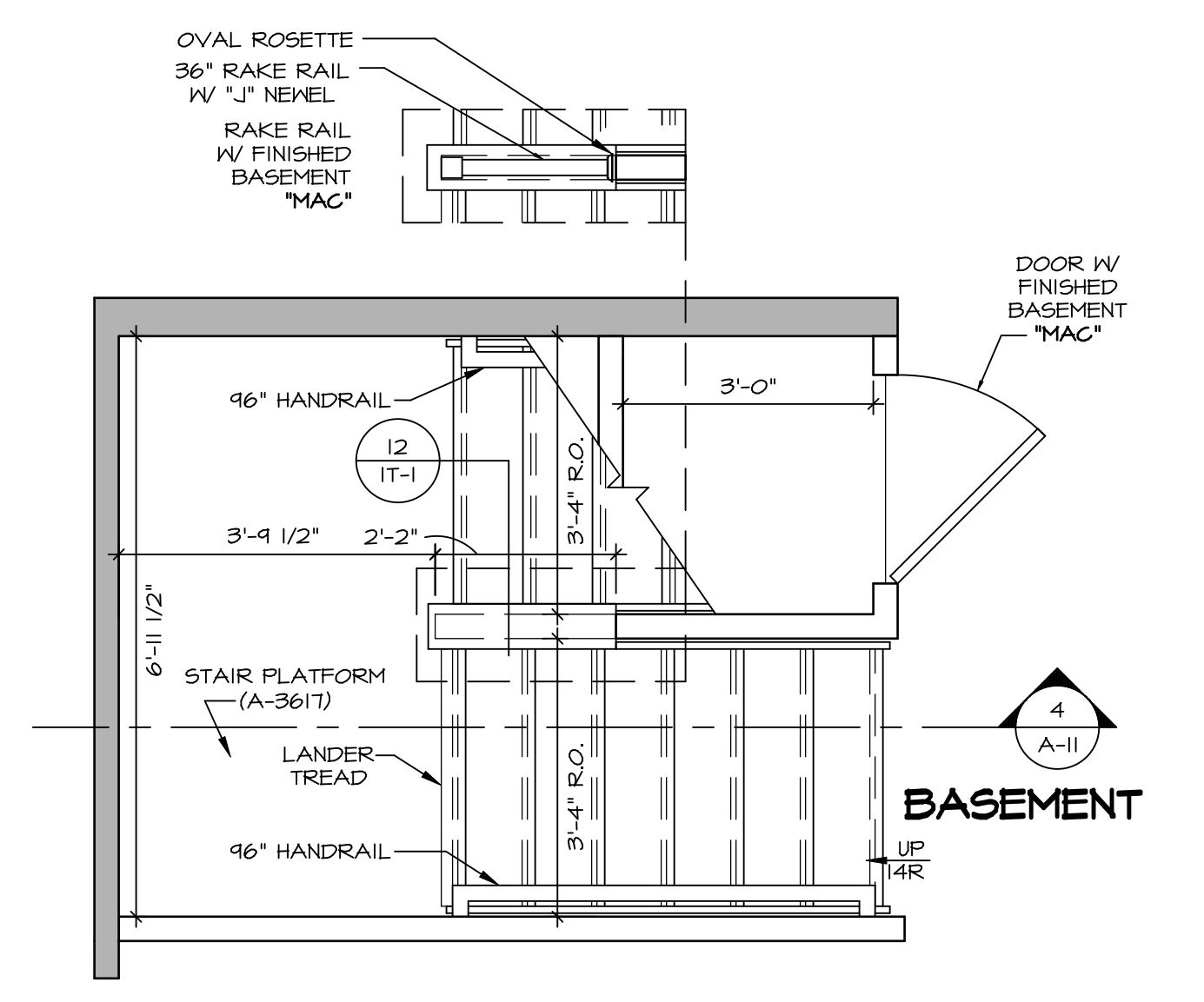


SECOND FLOOR STAIR PLAN
SCALE: 1/2" = 1'-0"
3 A-II

STAIR SECTION PARTIAL
SCALE: 1/2" = 1'-0"
9 A-II



FIRST FLOOR STAIR PLAN
SCALE: 1/2" = 1'-0"
2 A-II

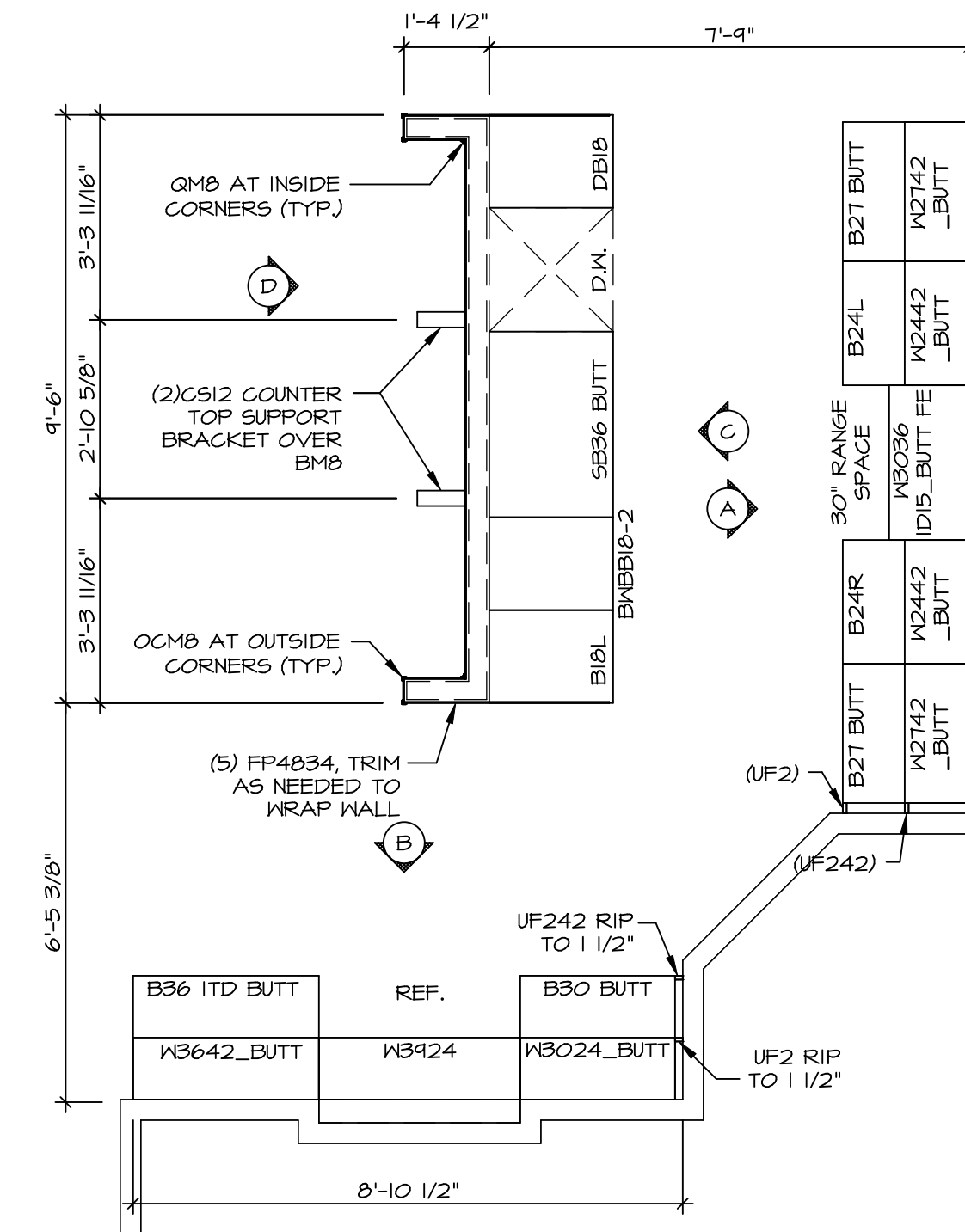
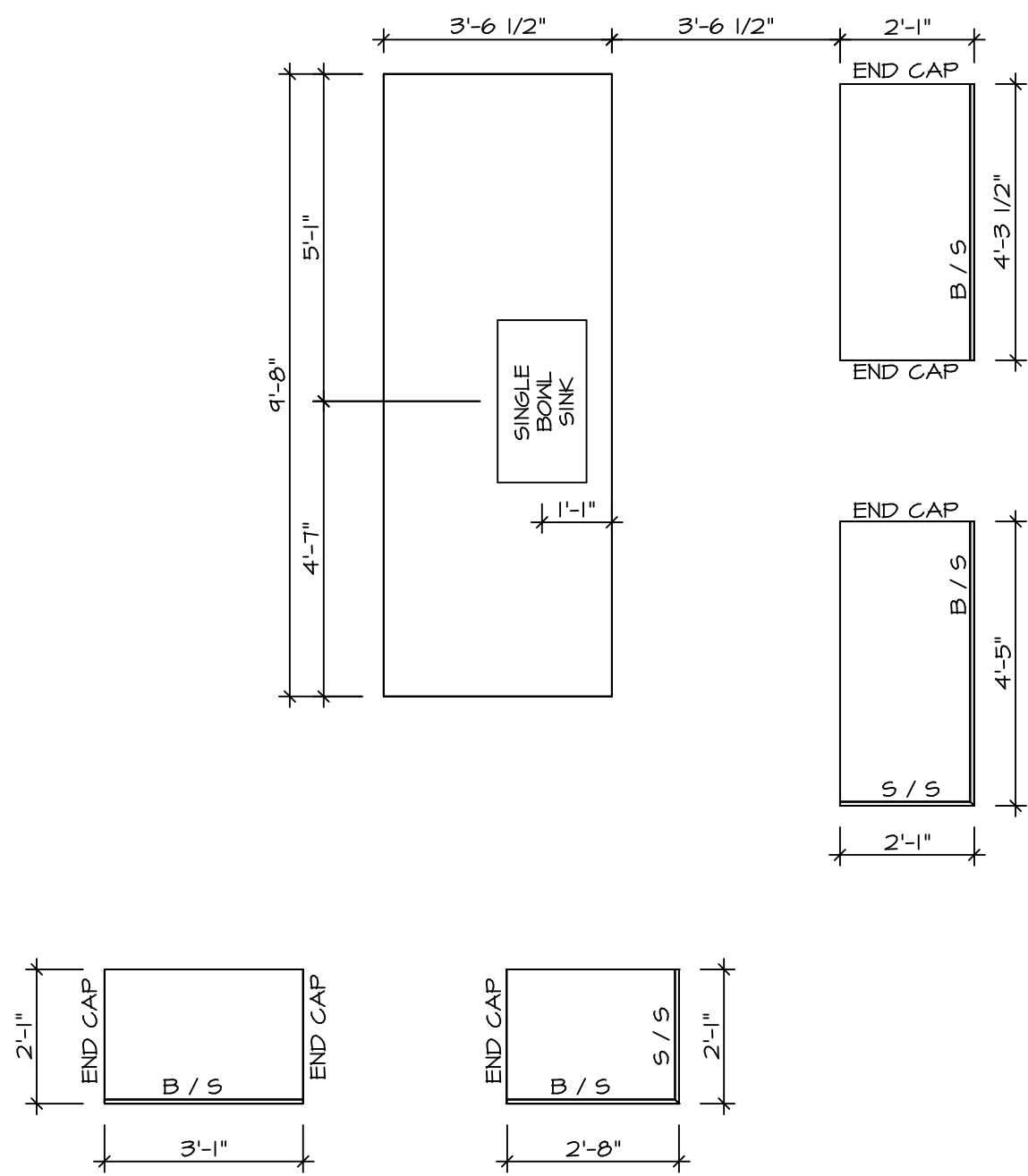
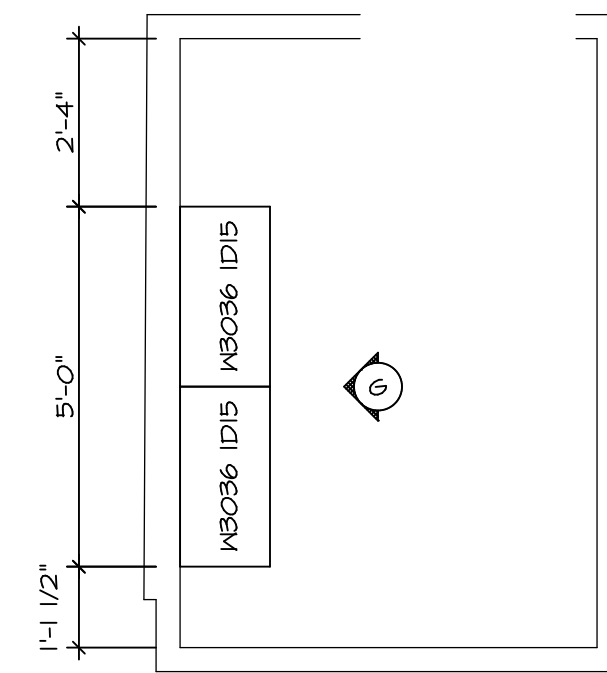
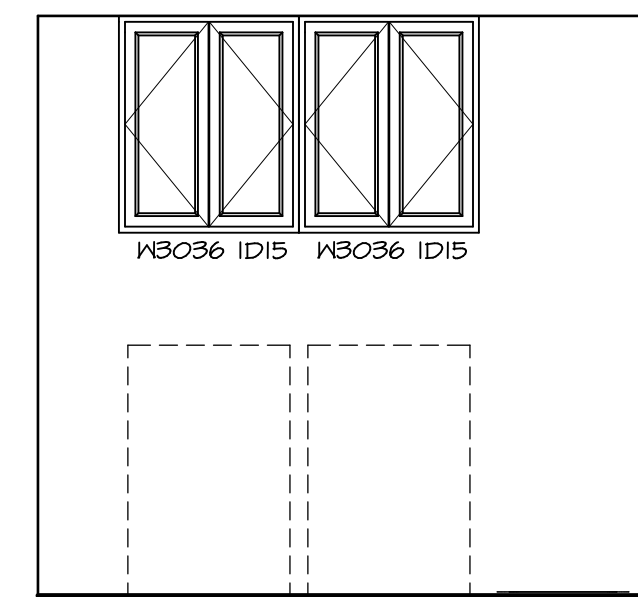
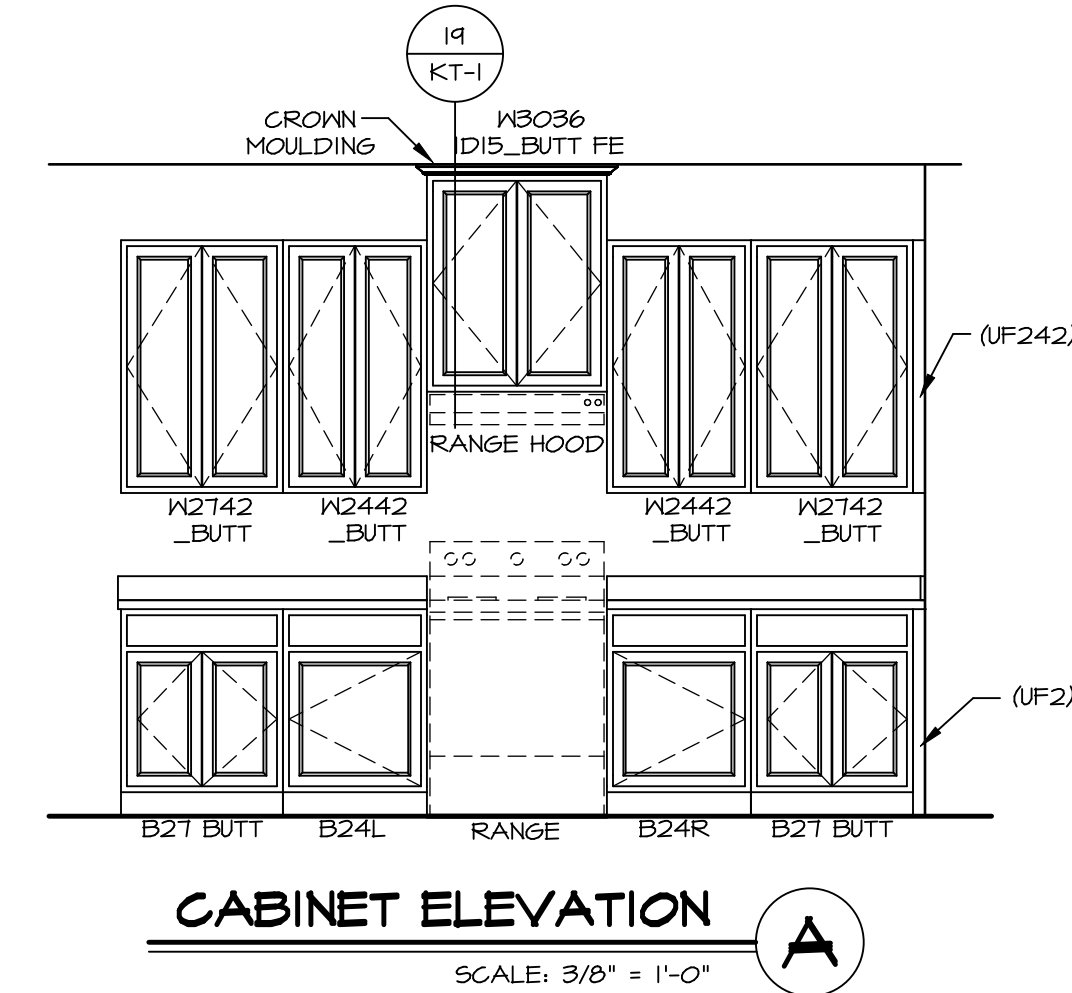
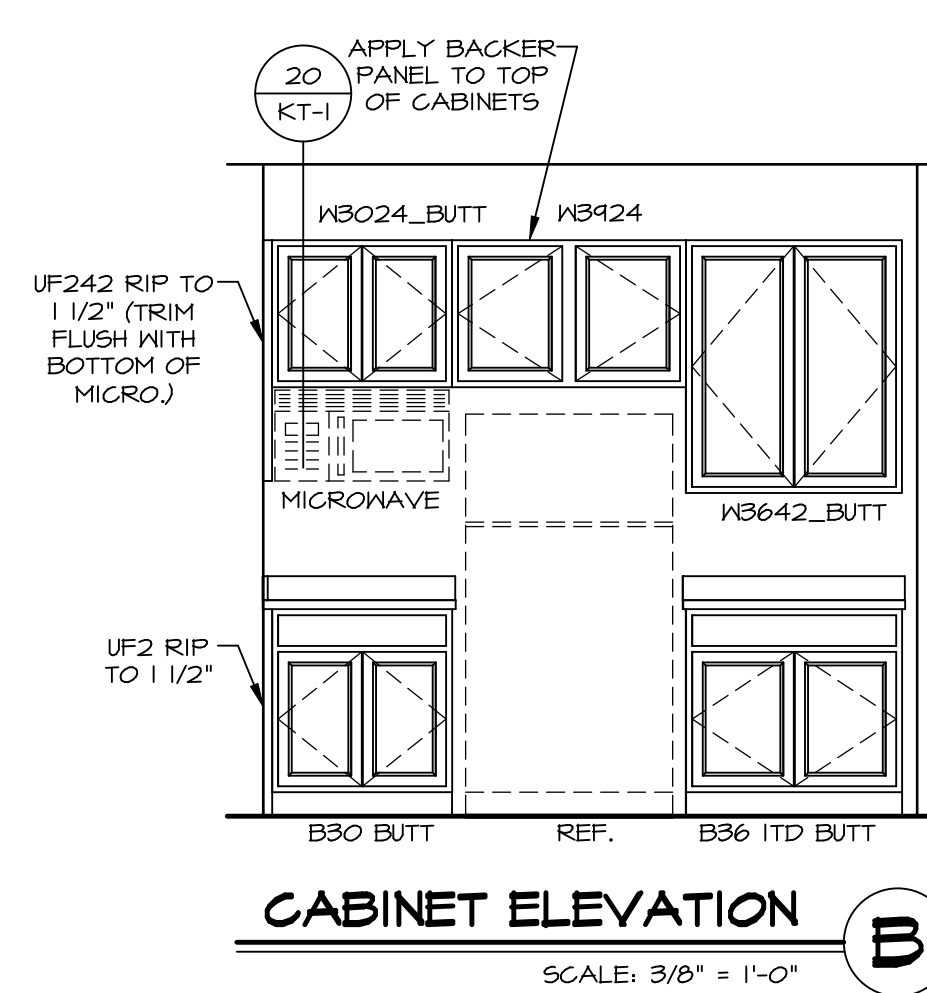
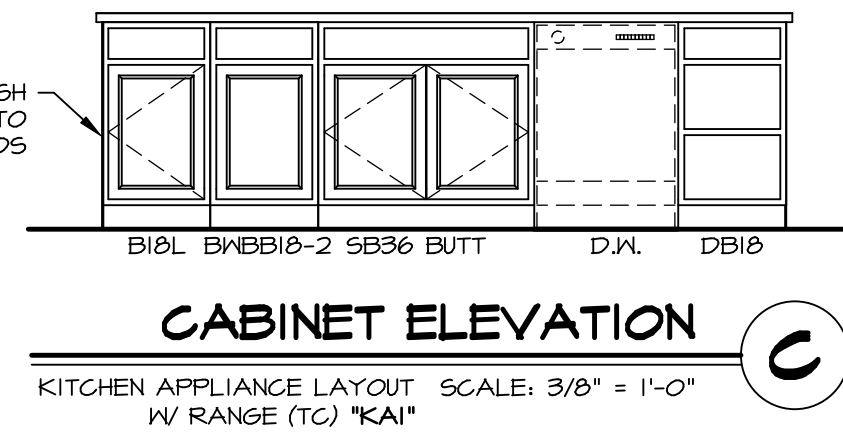
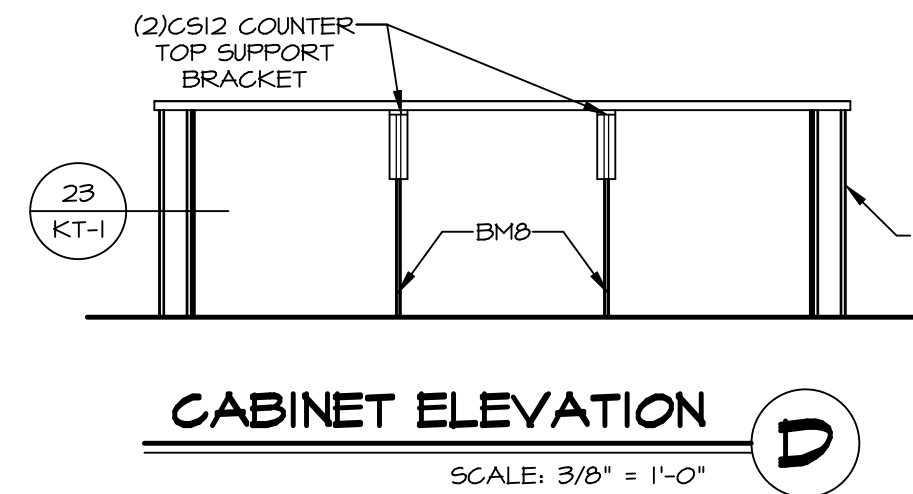


BASEMENT STAIR PLAN
FULL BASEMENT FOUNDATION 'FBA'
SCALE: 1/2" = 1'-0"
1 A-II

DIV-COMM-LOT-UNIT		DCY-Y6-T725	
COMM-LOT	VLLGS OF WINDING CREEK WARR CO - T725		
STREET ADDRESS	41751 WINDING CREEK BLVD	CITY	CENTERVILLE
APT. NO.	D	STATE	OH
ZIP	45456		
<p><small>NVR, Inc. expressly reserves the copyright and all other rights in these plans. These plans are not to be reproduced, changed or copied in any way without the written consent of NVR, Inc.</small></p>			
		<p>5285 Washington Suite 100 Fredericks, MD 21703</p>	
MODEL	LEHIGH	VERSION	O1
DRAWING TITLE	STAIR SECTION	DATE:	OPTION
SHEET NO.	A-11	DESCRIPTION	48

C:\NVR\Solves\LEHIGH_L6100_01\DCY-Y6-T725\2549668_Sheets\Lot_Specs\48_A-11_STAIR_L6.Swg 04/22/22 - 2:31 am

- NOTES:**
- CABINET LAYOUT (S) ARE BASED ON FINISHED DIMENSIONS TO DRYWALL.
 - IF KITCHEN PLANS/ELEVATIONS CALL-OUT STANDARD MOLDING, REFER TO STANDARD DETAIL (1/KT-1) FOR REPLACEMENT BASED ON CABINET STYLE.
 - ALL (UF#) FILLERS ARE TO BE "TRIM TO FIT" UNLESS OTHERWISE NOTED.
 - CABINET MUST BE SET, SHIMMED, LEVELED AND PLUMB W/ ADJOINING BASE CABINETS.
 - SET PRE-FINISHED SCRIBE MOLDING AT CABINET BULKHEADS AND AT ENDS (WHERE CABINETS MEET DRYWALL.) PRE-FINISHED SCRIBE MOLDING SHALL BE USED TO PAD OUT CABINET SIDES AT STILE FOR RETURN PIECES OF THE FACE-MOUNTED CABINET CROWN MOLDING.
 - HARDWARE INSTALL NOTE: KNOBS GO ON DOORS AND DRAWERS FOR ALL AREAS. ALL DRAWER FRONTS AND DOORS GET (I) KNOB/PULL. NO HARDWARE ON FALSE DRAWER FRONTS.



DCY-Y6-T725

BIV-COMM-LOT-UNIT
COMM-LOT
STREET ADDRESS
CITY

41751 WINDING CREEK BLVD
CENTERVILLE
OH
45459

YLG6 OF WINDING CREEK WARR CO - T725
APT. NO. D

NVR
NVR, Inc. Suite 100
5285 Washington Blvd
Frederick, MD 21703

© NVR, Inc. expressly reserves the right to modify these plans without notice. These plans are not to be reproduced, changed or altered in any way without the written consent of NVR, Inc.

SET NO. LG-HOO
VERSION 01
DRAWN BY
DATE:
OPTION

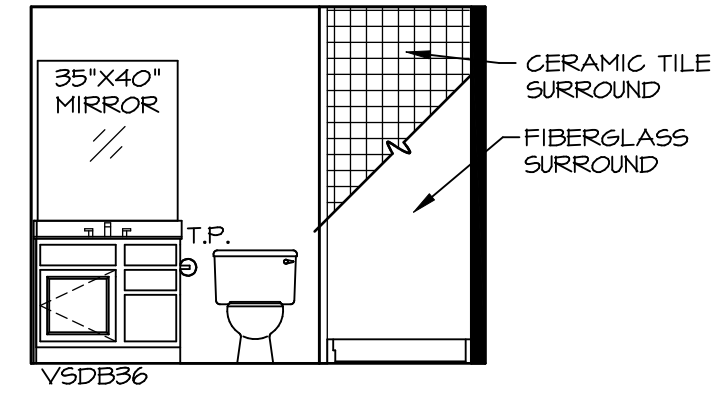
LEHIGH
A-12
KITCHEN CABINET PLANS AND ELEVATIONS

OPTION DESCRIPTION

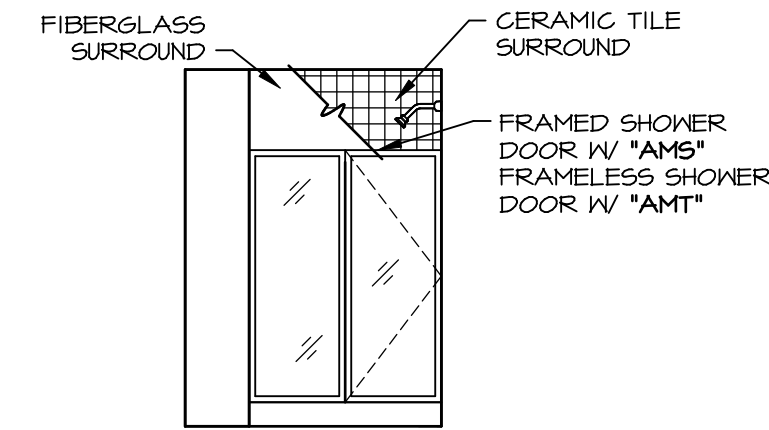
SHEET NO. A-12

54

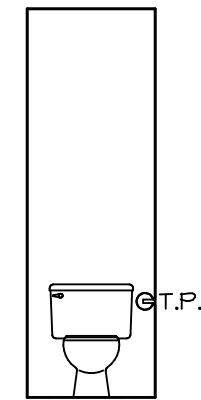
C:\NVR\Solves\LEHIGH\LG-HOO_01\DCY-Y6-T725\2549668\Sheets\Lot_Specifs\54_A-12_KIT_LS.dwg 04/22/22 - 2:32 am



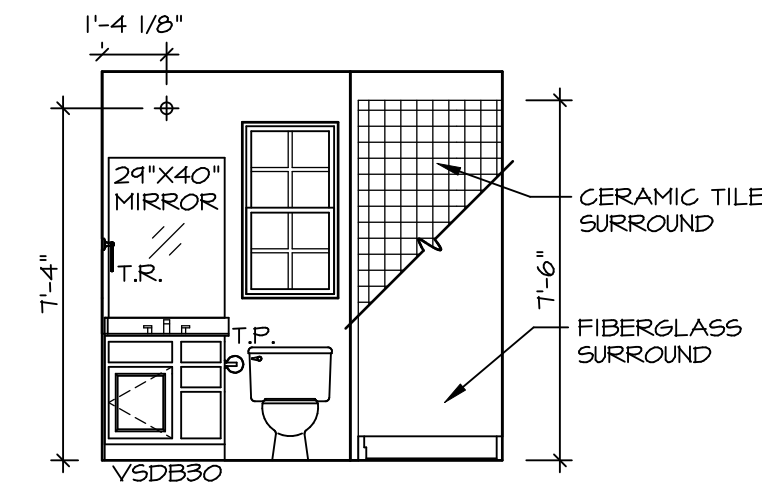
A BSMT BATH "AEB"
SCALE: 1/4" = 1'-0"



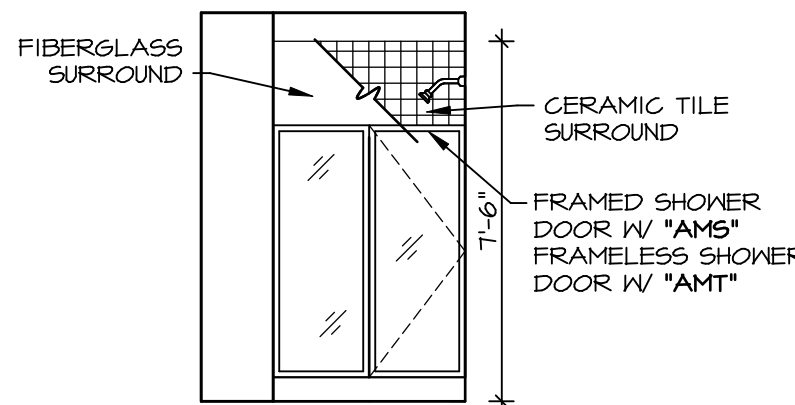
B BSMT BATH "AEB"
SCALE: 1/4" = 1'-0"



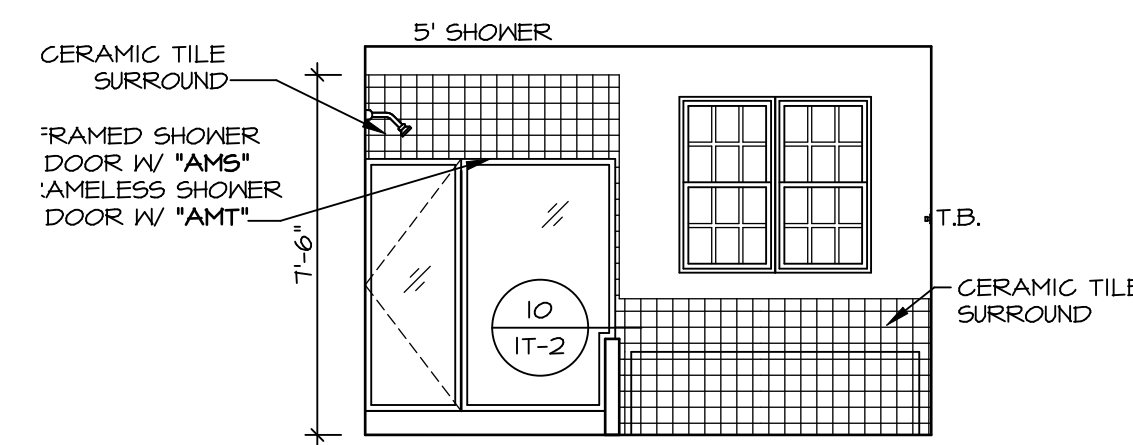
H OWNERS BATH
SCALE: 1/4" = 1'-0"



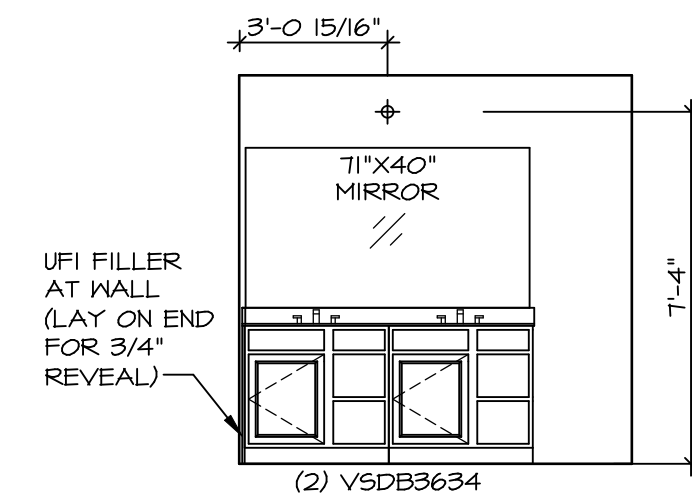
D FIRST FLOOR BATH
SCALE: 1/4" = 1'-0"



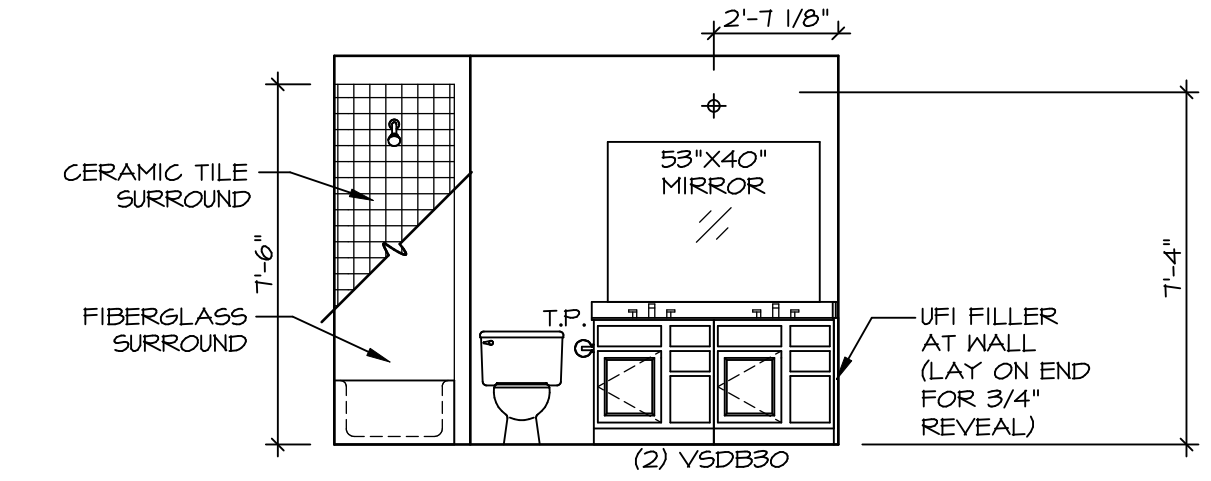
E FIRST FLOOR BATH
SCALE: 1/4" = 1'-0"



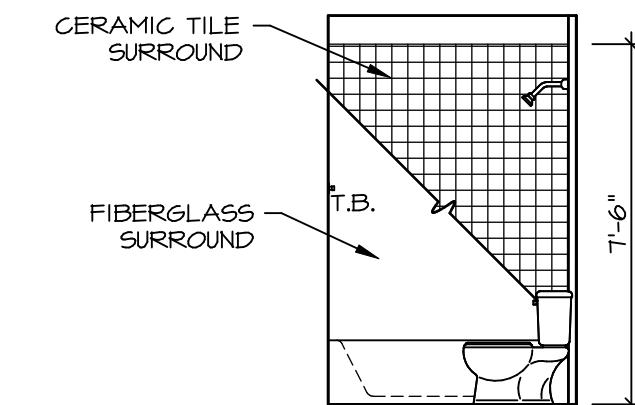
N OWNERS BATH
SCALE: 1/4" = 1'-0" OWNERS BATHROOM SOAKING TUB AND SHOWER GLASS SURROUND "AMF"



P OWNERS BATH
SCALE: 1/4" = 1'-0" OWNERS BATHROOM SOAKING TUB AND SHOWER GLASS SURROUND "AMF" NEW LIGHT/MIRROR LAYOUT DBL. VANITY "AEB"



F BATH #1
SCALE: 1/4" = 1'-0" NEW LIGHT/MIRROR LAYOUT DBL. VANITY "AFE"



G BATH #1
SCALE: 1/4" = 1'-0"

NOTES:

- TEMPERED GLASS SHOWER ENCLOSURE WITH SWING DOOR OR OPTIONAL SLIDING DOOR BY DIVISION
- TUB ACCESS PANELS PROVIDED AS NEEDED, ALL MATERIALS BY DIVISION
- REFER TO SHEET IT-2 FOR TUB AND SHOWER DETAILS.
- ALL V5DB24-42 DRAWERS TO BE SET ON RIGHT HAND.
- ALL BATH ELEVATIONS ARE SHOWN PER PLAN.

DIV-COMM-LOT-UNIT		DCY-Y6-T725	
COMM-LOT	STREET ADDRESS	CITY	STATE
VLG6 OF WINDING CREEK WARR CO - T725	4751 WINDING CREEK BLVD	CENTERVILLE	OH
APT. NO.	ZIP	45459	
D			
<small>© NVR, Inc. expressly reserves the right to modify or change any of the information contained in these plans without notice. These plans are not to be reproduced, changed or altered in any way without the express written consent of NVR, Inc.</small>			
		<small>NVR, Inc. Suite 100 5285 Walkersville Rd. Frederick, MD 21703</small>	
SET NO. LGH00	VERSION 01	DRAWN BY	
MODEL		DATE:	
A-13		OPTION	
LEHIGH		DRAWING TITLE	
BATH ELEVATIONS		OPTION DESCRIPTION	
SHEET NO.		57	