

**PLUMBING PLAN**  
 SCALE: 1/4" = 1'-0"

**NOTE**  
 RADON REMEDIATION  
 RADON LOOP:  
 - (4") PERFORATED HDPE "LOOP"  
 - MUST BE PLACED IN STONE BED SLIGHTLY HIGHER THAN ANY INTERIOR DRAINTILE  
 - LOOP TO BE SEPARATE FROM ANY DRAINTILE ELEMENTS  
 - TO BE CORRUGATED HDPE PIPE  
 - SCREENS TO BE INSTALLED THROUGH LOOP AT TEE UP INTO STACK  
 STACK REQUIREMENTS:  
 - 3" PVC STACK (4" IF BASEMENT IS GREATER THAN 2200 SQFT.)  
 - NO PART OF STACK IS TO BE HORIZONTAL  
 - PIPE TO BE PHYSICALLY LABELED IN THE FIELD AS "RADON VENT" OR OTHER JURISDICTIONALLY REQUIRED LANGUAGE (ON EVERY LEVEL OF HOUSE)  
 - ROOF TERMINATION TO BE IN TOP 1/3 OF ROOF  
 - SCREEN INSTALLED TO KEEP PESTS OUT OF RADON VENT AT ROOF TERMINATION

SHEET NO. <b>A-5</b>	MODEL <b>POWELL</b>	SET NO. PALOO	REVISIONS	REV. NO.	DATE	REMARKS
		VERSION 01				
OPTION DESCRIPTION <b>30</b>	DRAWING TITLE <b>PLUMBING PLAN</b>	DRAWN BY	<p>© NVR, Inc. expressly reserves the right to modify or amend these plans without notice. These plans are not to be reproduced, changed or altered in any way without the written consent of NVR, Inc.</p>			
		DATE:				
OPTION		DATE:	<p><b>NVR</b>          NVR, Inc. Suite 100          Frederick, MD 21703</p>			

**LEGEND**

	BEARING WALL
	NON BEARING WALL
	INDICATES BEARING FROM POINT-LOAD ABOVE
	JACKS
	BEAM/HEADER
	PAD FOOTING
	STEEL COLUMN
	PORTAL FRAME
	JOIST/TRUSS
	LVL
	ENGINEERING PAGE NUMBER

SEE FC DETAILS FOR FRAMING CONNECTORS

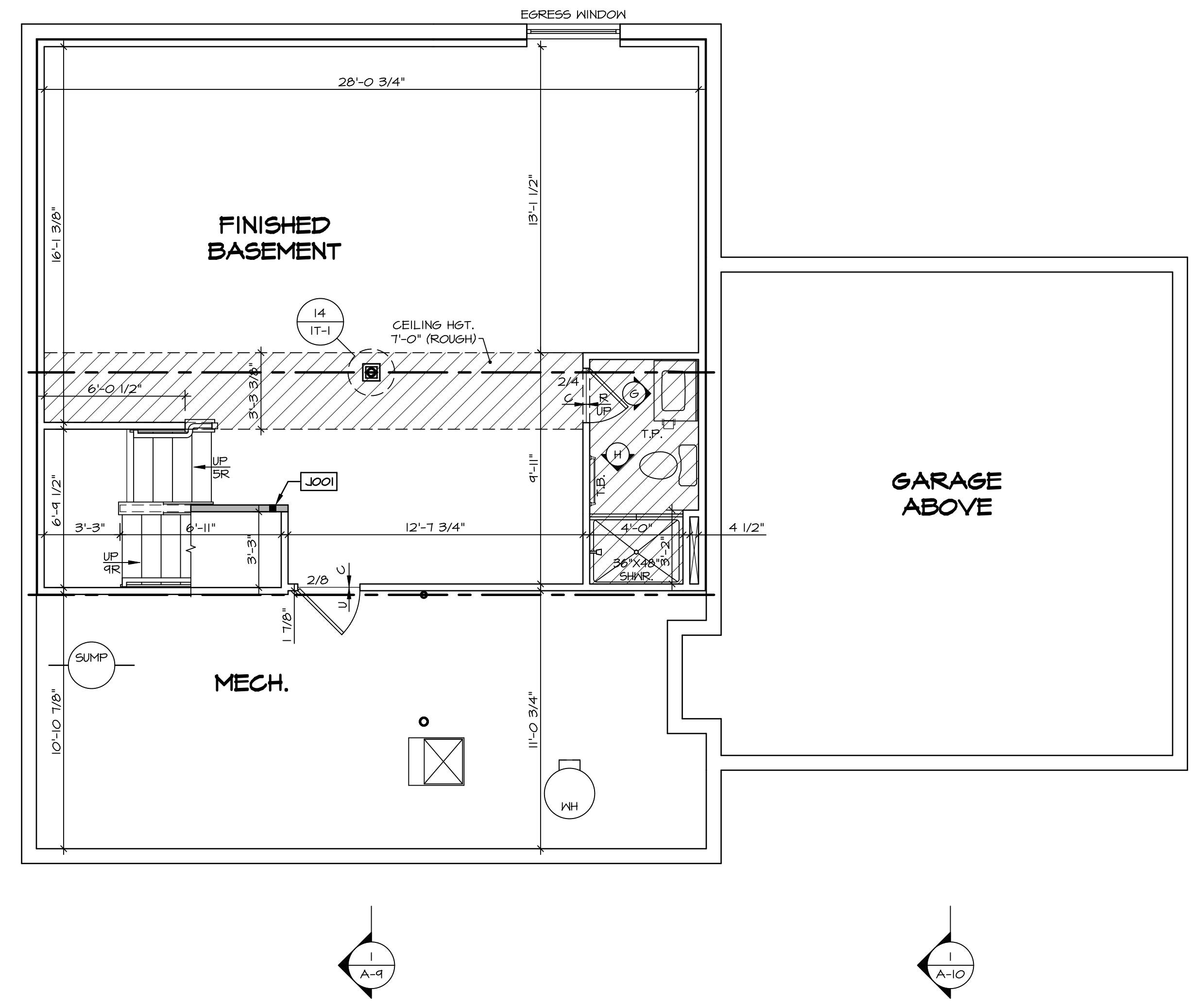
- FLOOR PLAN NOTES**
- ALL HEADERS ARE (2) 2x6 w/ 2x4 WALLS OR (3) 2x6 w/ 2x6 WALLS, UNLESS OTHERWISE NOTED.
  - ALL HEADERS TO HAVE (1) 2x4 OR 2x6 JACK AND KING STUD EACH END, UNLESS OTHERWISE NOTED.
  - ALL EXTERIOR WALLS TO BE 4" w/ OSB OR 3 1/2" w/ LAMINATED FIBROUS STRUCTURAL SHEATHING. ALL INTERIOR WALLS TO BE 3 1/2" UNLESS OTHERWISE NOTED.
  - HATCHED AREAS INDICATE DROPPED CEILING. ALL DROPPED CEILING ARE 12" UNLESS OTHERWISE NOTED.
  - SEE "BRACED WALL PANEL DETAIL SHEET" FOR SPECIAL WALL FRAMING LOCATIONS AND HEADER SIZES, IF APPLICABLE.
  - SEE STANDARD DETAIL CATEGORY "IT" SHEET(S) FOR INTERIOR TRIM DETAILS.
  - SEE ARCHITECTURAL DETAIL SHEET "AD" FOR HOUSE SPECIFIC INTERIOR TRIM OPTION TABLE.
  - ALL WINDOWS HAVE T-O 1/2" HEADER HEIGHT UNLESS OTHERWISE NOTED.
  - ALL HEADERS IN NON-BEARING WALLS SHALL BE A SINGLE FLAT 2x4 OR 2x6 ATTACHED TO CRIPPLES ABOVE, UNLESS OTHERWISE NOTED.
  - TANKED WATER HEATER SHOWN AS BASE CONDITION. OPTIONAL TANKLESS WATER HEATER IS AVAILABLE IN LIEU OF TANKED WATER HEATER.

- GYPSUM NOTES**
- AT GARAGE:  
GYPSUM BOARD AT COMMON WALLS, CEILING, BEAM WRAPS AND SUPPORTS PER STANDARD DETAIL FA-1(b) FIRE ASSEMBLIES OR AS REQUIRED BY LOCAL CODE.
- AT STAIRS:  
1/2" GYPSUM BOARD AT UNDERSIDE OF STAIRS AND WALLS IN CLOSET

**NOTE:**  
EXTERIOR WALLS DRAWN TO FRAMING WIDTH, EXTERIOR SHEATHING IS NOT INCLUDED IN WALL THICKNESS.

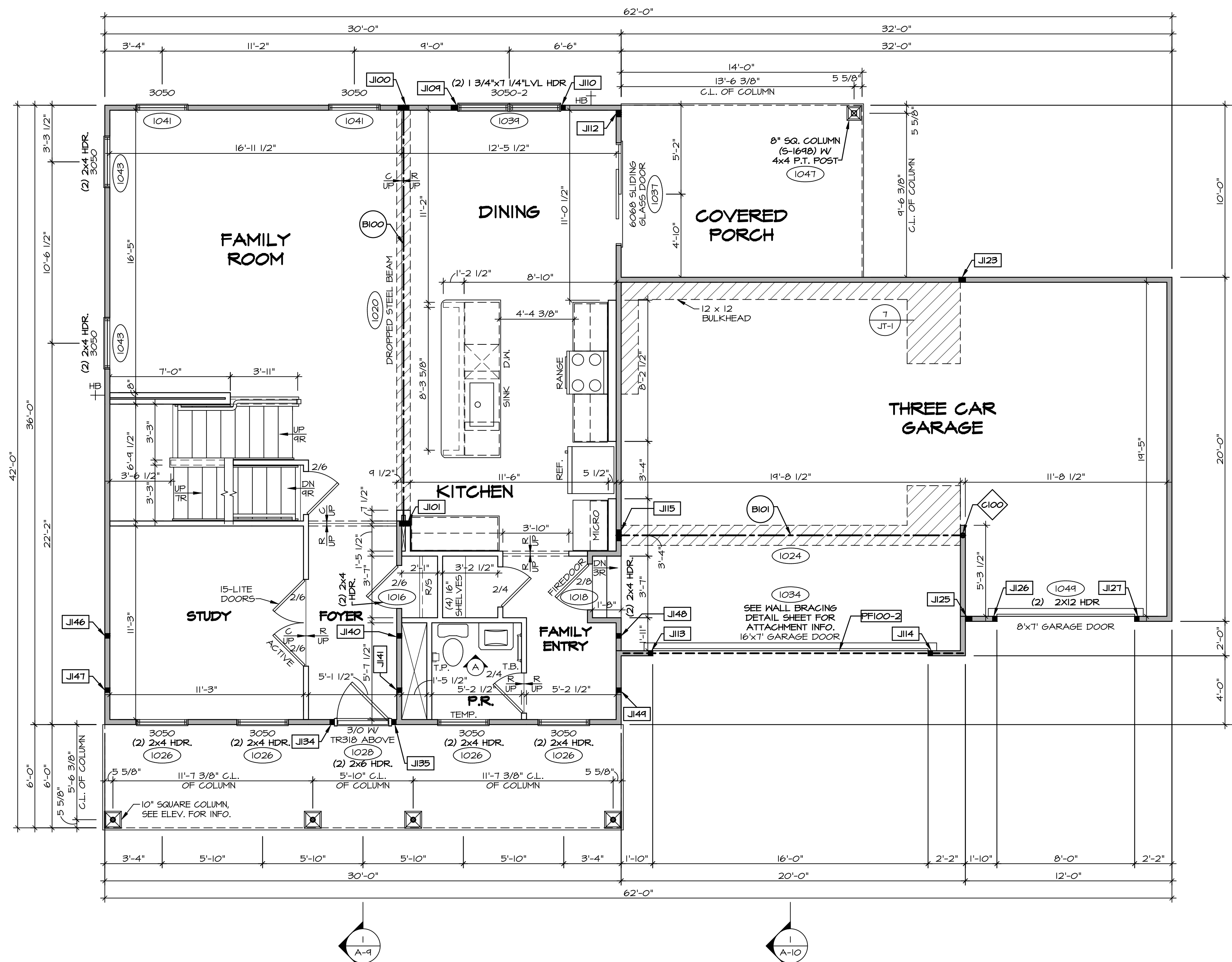
**BASEMENT JACK SCHEDULE**

IDENTIFIER	DESCRIPTION	OPTIONS	ENG. N.M.	REMARKS
J001	JACK - (2) 2X4 SFF STUD GRADE		B0013	



**BASEMENT FLOOR PLAN**  
SCALE: 1/4" = 1'-0"

SHEET NO. <b>A-6</b>	MODEL <b>POWELL</b>	SET NO. PALOO	VERSION 01
		DRAWN BY JAB	DATE: 3/19/18
OPTION DESCRIPTION <b>33</b>	DRAWING TITLE <b>BASEMENT FLOOR PLAN</b>	OPTION	
		OPTION	
REMARKS		REV. NO.	DATE
<p>© NVR, Inc. expressly reserves the right to modify or amend these plans at any time without notice. These plans are not to be reproduced, changed or altered in any way without the written consent of NVR, Inc.</p>			
		<p>NVR, Inc. Suite 100 5285 Washington Blvd. Frederick, MD 21703</p>	
<p>C:\NVR\Solves\POWELL_PWLOO_01\DCV-VR-0076\1418743\Sheets\01_Spec\A_33_A-6_BSMT_LS.dwg 10/11/19 - 1:25 PM</p>			



**FIRST FLOOR PLAN**  
 SCALE: 1/4" = 1'-0"

**LEGEND**

- BEARING WALL
- - - NON BEARING WALL
- ⊗ INDICATES BEARING FROM POINT-LOAD ABOVE
- J JACKS
- B BEAM/HEADER
- F PAD FOOTING
- C STEEL COLUMN
- X PORTAL FRAME
- X JOIST/TRUSS
- L LVL
- X ENGINEERING PAGE NUMBER

SEE FG DETAILS FOR FRAMING CONNECTORS

**NOTE:**  
 EXTERIOR WALLS DRAWN TO FRAMING WIDTH, EXTERIOR SHEATHING IS NOT INCLUDED IN WALL THICKNESS.

- FLOOR PLAN NOTES**
1. ALL HEADERS ARE (2) 2x6 w/ 2x4 WALLS OR (3) 2x6 w/ 2x6 WALLS, UNLESS OTHERWISE NOTED.
  2. ALL HEADERS TO HAVE (1) 2x4 OR 2x6 JACK AND KING STUD EACH END, UNLESS OTHERWISE NOTED.
  3. ALL EXTERIOR WALLS TO BE 4" w/ OSB OR 3 1/2" w/ LAMINATED FIBROUS STRUCTURAL SHEATHING. ALL INTERIOR WALLS TO BE 3 1/2" UNLESS OTHERWISE NOTED.
  4. HATCHED AREAS INDICATE DROPPED CEILING. ALL DROPPED CEILING ARE 12" UNLESS OTHERWISE NOTED.
  5. SEE "BRACED WALL PANEL DETAIL SHEET" FOR SPECIAL WALL FRAMING LOCATIONS AND HEADER SIZES, IF APPLICABLE.
  6. SEE STANDARD DETAIL CATEGORY "IT" SHEET(S) FOR INTERIOR TRIM DETAILS.
  7. SEE ARCHITECTURAL DETAIL SHEET "AD" FOR HOUSE SPECIFIC INTERIOR TRIM OPTION TABLE.
  8. ALL WINDOWS HAVE T-O 1/2" HEADER HEIGHT UNLESS OTHERWISE NOTED.
  9. ALL HEADERS IN NON-BEARING WALLS SHALL BE A SINGLE FLAT 2x4 OR 2x6 ATTACHED TO CRIPPLES ABOVE, UNLESS OTHERWISE NOTED.
  10. TANKED WATER HEATER SHOWN AS BASE CONDITION. OPTIONAL TANKLESS WATER HEATER IS AVAILABLE IN LIEU OF TANKED WATER HEATER.

- GYPSUM NOTES**
- AT GARAGE:**  
 GYPSUM BOARD AT COMMON WALLS, CEILING, BEAM WRAPS AND SUPPORTS PER STANDARD DETAIL FA-(b) FIRE ASSEMBLIES OR AS REQUIRED BY LOCAL CODE.
- AT STAIRS:**  
 1/2" GYPSUM BOARD AT UNDERSIDE OF STAIRS AND WALLS IN CLOSET

**FIELD INSTALLED FIRST FLOOR BEAM/HEADER SCHEDULE**

IDENTIFIER	DESCRIPTION	LENGTH	OPTIONS	ENG. NUM.	REMARKS
B100	BEAM STEEL - W12X35	24'-5 1/2"		1020	
B101	BEAM STEEL - W10X22	20'-3 1/2"	SXC	1024	
PF100-2	LVL: 175 - 11-04	19'-4"	GCB, GCF	1034	

**STEEL COLUMN SCHEDULE**

IDENTIFIER	STYLE	HEIGHT	OPTIONS	ENG. NUM.	REMARKS
C100	STANCHION - 3 IN SCHED 40	9'-2 1/2"	GCF, SXC	1024	

**FIRST FLOOR JACK SCHEDULE**

IDENTIFIER	DESCRIPTION	OPTIONS	ENG. NUM.	REMARKS
J100	JACK - (5) 2X4 SFF STUD GRADE		1020	
J101	JACK - (5) 2X4 SP#1		1020	
J104	JACK - (3) 2X4 SFF STUD GRADE		1039	
J110	JACK - (2) 2X4 SFF STUD GRADE		1039	
J112	JACK - (3) 2X4 SFF STUD GRADE	EPE	1047	
J113	JACK - (2) 2X4 SFF STUD GRADE	LGF	1034	
J114	JACK - (2) 2X4 SFF STUD GRADE	LGF	1034	
J115	JACK - (5) 2X4 SP#1	SXC	1024	
J123	JACK - (3) 2X4 SFF STUD GRADE	GCF	1022	
J125	JACK - (3) 2X4 SFF STUD GRADE	GCF, EVB	1050	
J126	JACK - (2) 2X4 SFF STUD GRADE	GCF	1044	
J127	JACK - (2) 2X4 SFF STUD GRADE	GCF	1049	
J134	JACK - (2) 2X4 SFF STUD GRADE	ELK	1020	
J135	JACK - (2) 2X4 SFF STUD GRADE	ELK	1020	
J140	JACK - (2) 2X4 SFF STUD GRADE		1012	
J141	JACK - (2) 2X4 SFF STUD GRADE		1012	
J146	JACK - (2) 2X4 SFF STUD GRADE		1012	
J147	JACK - (2) 2X4 SFF STUD GRADE		1012	
J148	JACK - (2) 2X4 SFF STUD GRADE		1012	
J149	JACK - (2) 2X4 SFF STUD GRADE		1012	

REVISIONS

REV. NO.	DATE	DESCRIPTION

© NVR, Inc. expressly reserves the right to modify or amend these plans at any time without notice. These plans are not to be reproduced, changed or copied in any way without the written consent of NVR, Inc.

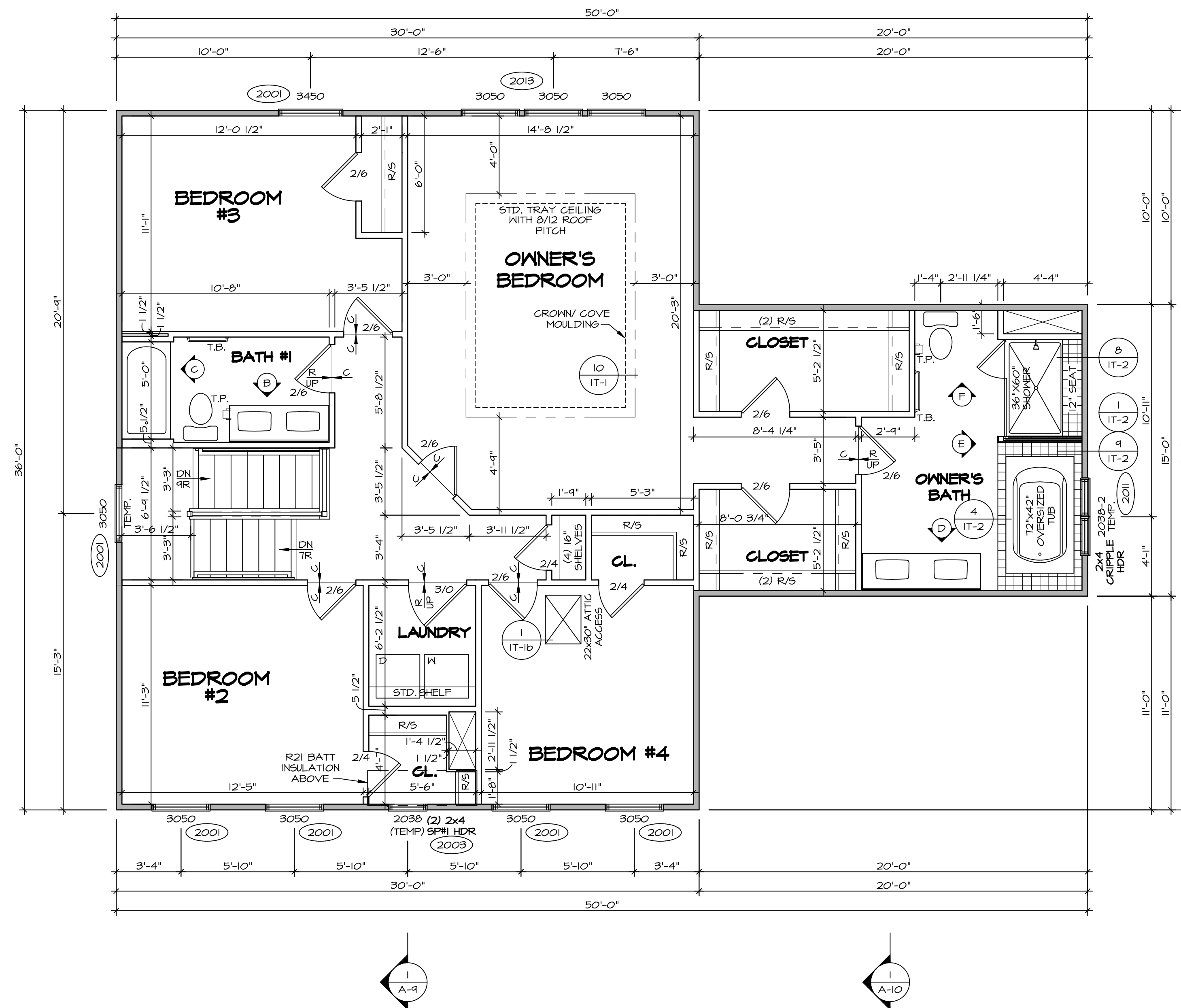
**NVR**  
 NVR, Inc. Suite 100  
 5285 Washington Blvd.  
 Frederick, MD 21703

SET NO. PALOO  
 VERSION 01  
 DRAWN BY JAB  
 DATE: 3/19/18  
 OPTION

SHEET NO. **A-7**  
 MODEL POWELL  
 DRAWING TITLE FIRST FLOOR PLAN  
 OPTION DESCRIPTION

35

C:\NVR\Solves\POWELL\_PALOO\_01\DCV=VR-0076\1418743\Sheets\Lot\_Specifs\35 A-7 PLAN\_LS.dwg 10/11/19 - 1:25 PM



**SECOND FLOOR PLAN**  
SCALE: 1/4" = 1'-0"

**LEGEND**

- BEARING WALL
- NON BEARING WALL
- ⊗ INDICATES BEARING FROM POINT-LOAD ABOVE
- ⊥ JACKS
- B BEAM/HEADER
- F PAD FOOTING
- C STEEL COLUMN
- X PORTAL FRAME
- X JOIST/TRUSS
- L LVL
- X ENGINEERING PAGE NUMBER

SEE FG DETAILS FOR FRAMING CONNECTORS

- FLOOR PLAN NOTES**
1. ALL HEADERS ARE (2) 2x6 w/ 2x4 WALLS OR (3) 2x6 w/ 2x6 WALLS, UNLESS OTHERWISE NOTED.
  2. ALL HEADERS TO HAVE (1) 2x4 OR 2x6 JACK AND KING STUD EACH END, UNLESS OTHERWISE NOTED.
  3. ALL EXTERIOR WALLS TO BE 4" w/ OSB OR 3 1/2" w/ LAMINATED FIBROUS STRUCTURAL SHEATHING. ALL INTERIOR WALLS TO BE 3 1/2" UNLESS OTHERWISE NOTED.
  4. HATCHED AREAS INDICATE DROPPED CEILINGS. ALL DROPPED CEILINGS ARE 12" UNLESS OTHERWISE NOTED.
  5. SEE "BRACED WALL PANEL DETAIL SHEET" FOR SPECIAL WALL FRAMING LOCATIONS AND HEADER SIZES, IF APPLICABLE.
  6. SEE STANDARD DETAIL CATEGORY "IT" SHEET(S) FOR INTERIOR TRIM DETAILS.
  7. SEE ARCHITECTURAL DETAIL SHEET "AD" FOR HOUSE SPECIFIC INTERIOR TRIM OPTION TABLE.
  8. ALL WINDOWS HAVE "T-O 1/2" HEADER HEIGHT UNLESS OTHERWISE NOTED.
  9. ALL HEADERS IN NON-BEARING WALLS SHALL BE A SINGLE FLAT 2x4 OR 2x6 ATTACHED TO CRIPPLES ABOVE, UNLESS OTHERWISE NOTED.
  10. TANKED WATER HEATER SHOWN AS BASE CONDITION. OPTIONAL TANKLESS WATER HEATER IS AVAILABLE IN LIEU OF TANKED WATER HEATER.

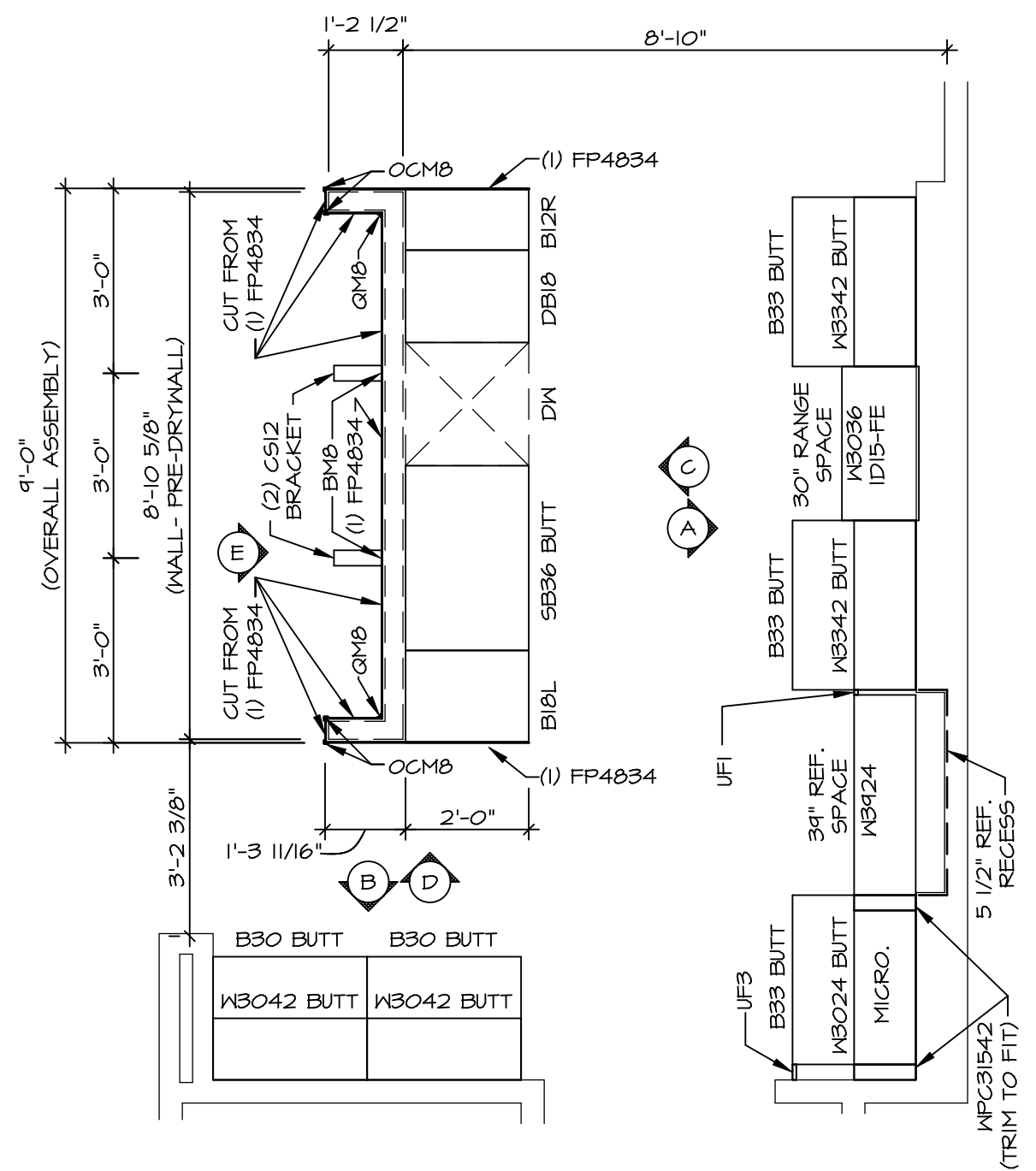
- GYPSTUM NOTES**
- AT GARAGE:  
GYPSUM BOARD AT COMMON WALLS, CEILINGS, BEAM WRAPS AND SUPPORTS PER STANDARD DETAIL FA-1(b) FIRE ASSEMBLIES OR AS REQUIRED BY LOCAL CODE.
- AT STAIRS:  
1/2" GYPSUM BOARD AT UNDERSIDE OF STAIRS AND WALLS IN CLOSET

**NOTE:**  
EXTERIOR WALLS DRAWN TO FRAMING WIDTH. EXTERIOR SHEATHING IS NOT INCLUDED IN WALL THICKNESS.

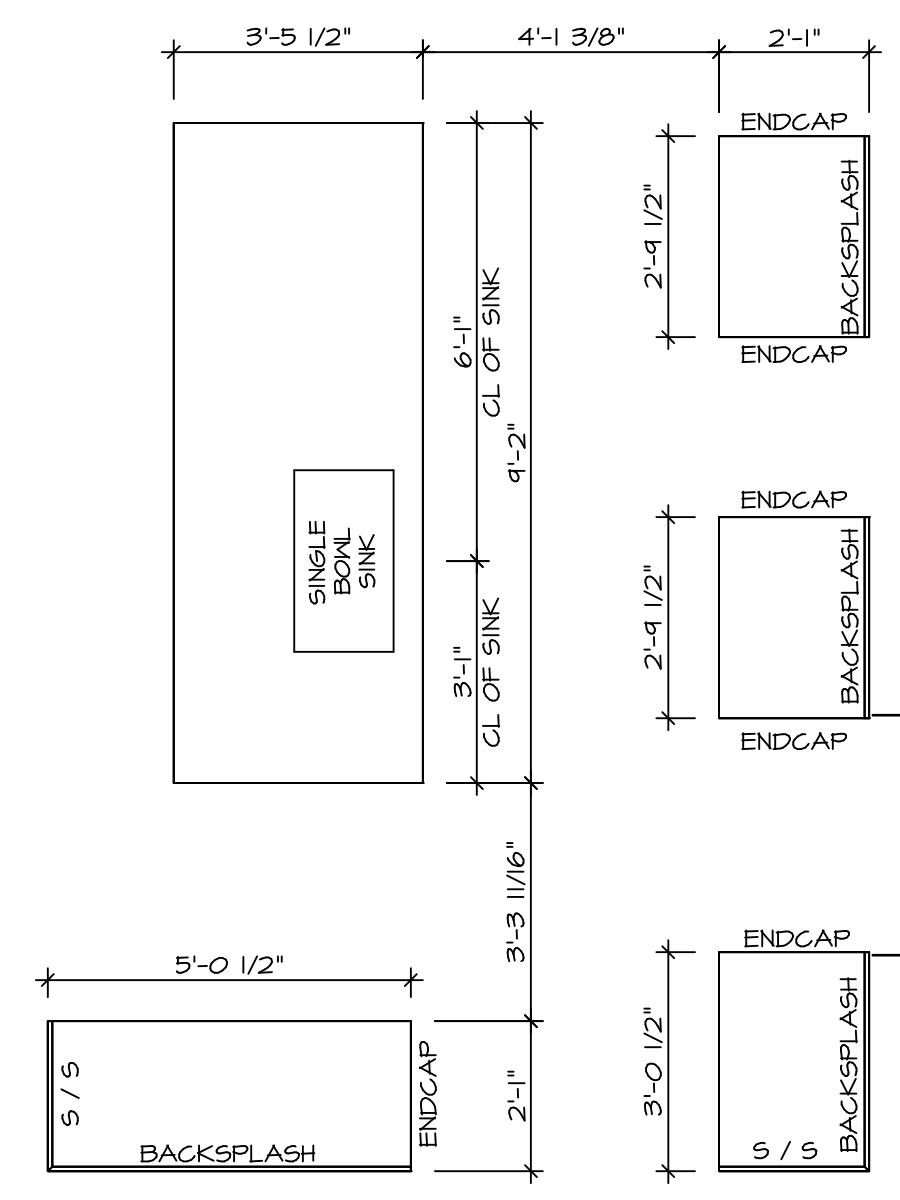
**SECOND FLOOR JACK SCHEDULE**

IDENTIFIER	DESCRIPTION	OPTIONS	ENG. NUM.	REMARKS

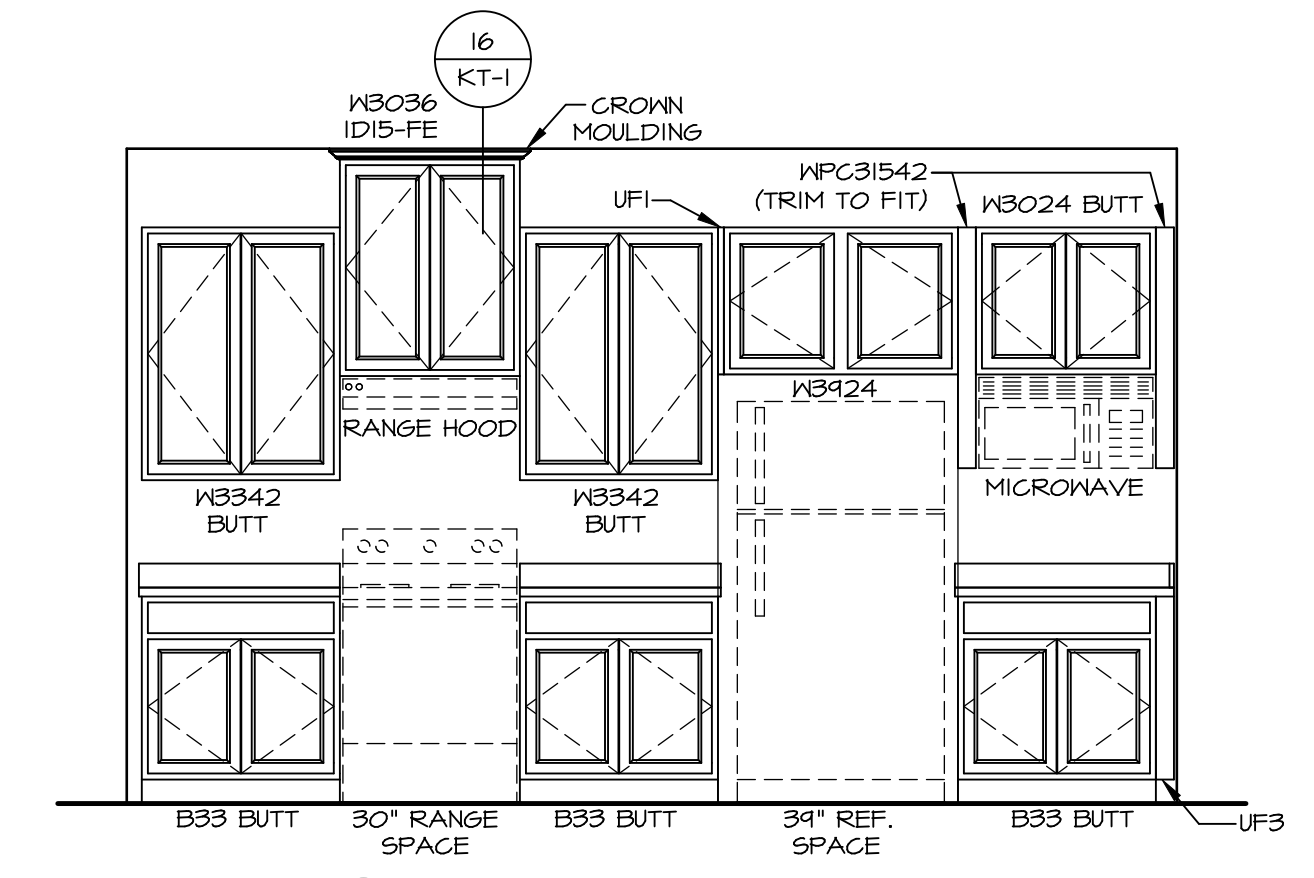
<p>SHEET NO. <b>A-8</b></p> <p>MODEL <b>POWELL</b></p> <p>DRAWING TITLE <b>SECOND FLOOR PLAN</b></p> <p>OPTION DESCRIPTION  </p>	<p>SET NO. 01</p> <p>VERSION 01</p> <p>DRAWN BY JAB</p> <p>DATE 3/19/18</p> <p>OPTION  </p>	<p>REV. NO.</p> <p>DATE</p> <p>REMARKS</p>	<p>© NVR, Inc. expressly reserves the right to modify or change these plans without notice. These plans are not to be reproduced, changed or copied in any way without the written consent of NVR, Inc.</p> <p style="text-align: center;"><b>NVR</b></p> <p>NVR, Inc. Suite 100 5285 Washburn Ave. Frederick, MD 21703</p>
--	---	--	---



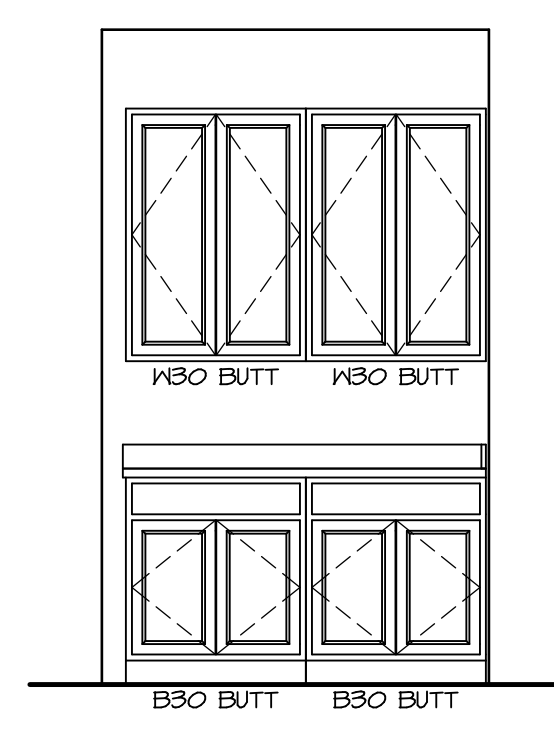
**1** KITCHEN CABINET PLAN / KC - 3543  
 A-13 SCALE: 3/8" = 1'-0"



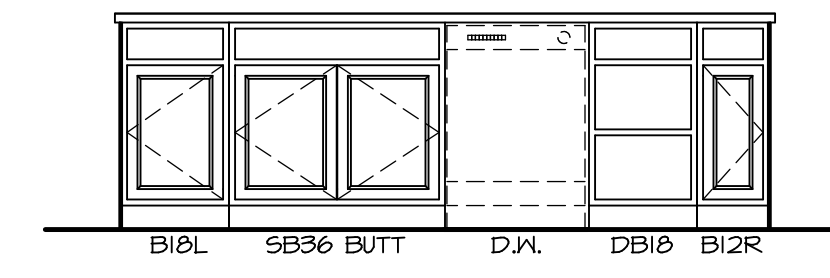
**2** KITCHEN COUNTERTOP PLAN / KC - 3543  
 A-13 SCALE: 3/8" = 1'-0"



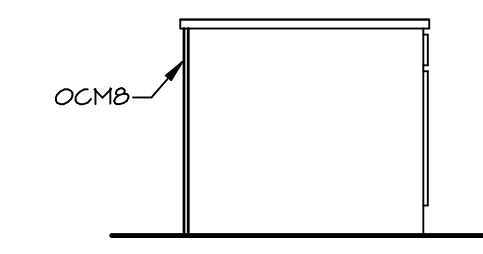
**A** KITCHEN ELEVATION  
 SCALE: 3/8" = 1'-0"



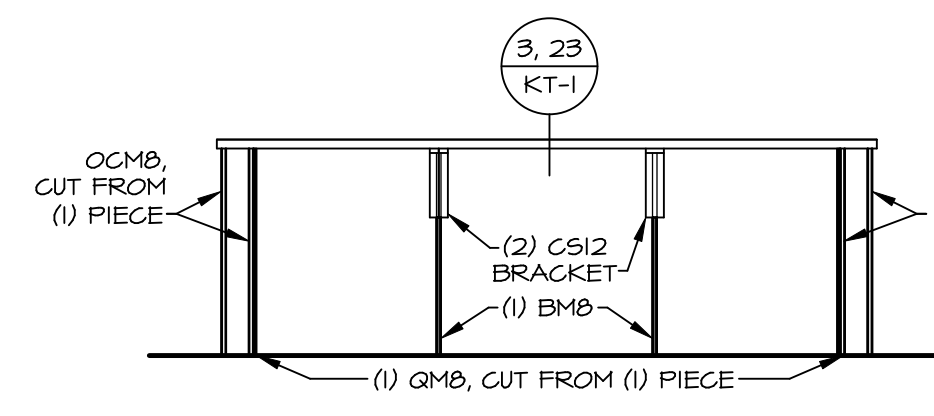
**B** KITCHEN ELEVATION  
 SCALE: 3/8" = 1'-0"



**C** KITCHEN ELEVATION  
 SCALE: 3/8" = 1'-0"



**D** KITCHEN ELEVATION  
 SCALE: 3/8" = 1'-0"

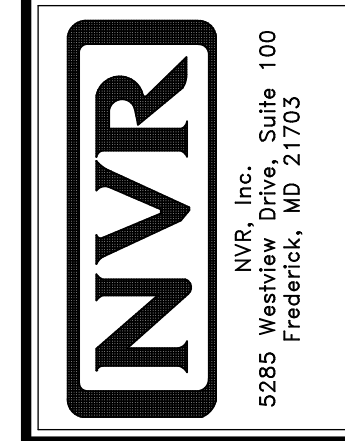


**E** KITCHEN ELEVATION  
 SCALE: 3/8" = 1'-0"

- NOTES:**
- CABINET LAYOUT (S) ARE BASED ON FINISHED DIMENSIONS TO DRYWALL.
  - IF KITCHEN PLANS/ELEVATIONS CALL-OUT STANDARD MOLDING, REFER TO STANDARD DETAIL (1/KT-1) FOR REPLACEMENT BASED ON CABINET STYLE.
  - ALL (UFI) FILLERS ARE TO BE "TRIM TO FIT" UNLESS OTHERWISE NOTED.
  - CABINET MUST BE SET SHIMMED, LEVELED AND PLUMB W/ ADJOINING BASE CABINETS.
  - SET PRE-FINISHED SCRIBE MOLDING AT CABINET BULKHEADS AND AT ENDS (WHERE CABINETS MEET DRYWALL). PRE-FINISHED SCRIBE MOLDING SHALL BE USED TO PAD OUT CABINET SIDES AT STILE FOR RETURN PIECES OF THE FACE-MOUNTED CABINET CROWN MOLDING.
  - HARDWARE INSTALL NOTE: KNOBS GO ON DOORS AND DRAWERS FOR ALL AREAS, ALL DRAWER FRONTS AND DOORS GET (1) KNOB/ PULL. NO HARDWARE ON FALSE DRAWER FRONTS.

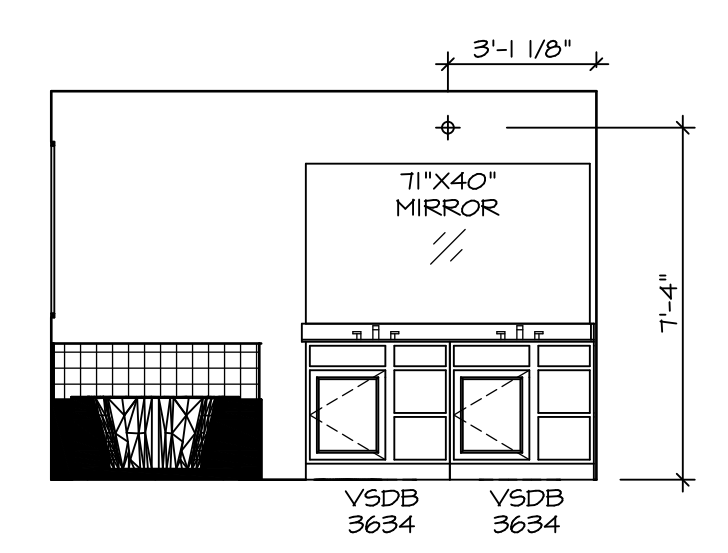
SHEET NO. <b>A-12</b>	MODEL <b>POWELL</b>	SET NO. PALOO	VERSION 01
		DRAWN BY SPW	DATE: 1/11/18
DRAWING TITLE KITCHEN PLANS AND ELEVATIONS		OPTION DESCRIPTION	OPTION
SHEET NO. <b>A-12</b>		MODEL <b>POWELL</b>	VERSION 01
DRAWING TITLE KITCHEN PLANS AND ELEVATIONS		SET NO. PALOO	VERSION 01
DRAWN BY SPW		DRAWN BY SPW	DATE: 1/11/18
OPTION DESCRIPTION		OPTION	OPTION
SHEET NO. <b>55</b>		REMARKS	
REV. NO. DATE		REMARKS	

© NVR, Inc. expressly reserves the right to modify or change the design of the cabinets shown in these plans. These plans are not to be reproduced, changed or altered in any way without the written consent of NVR, Inc.

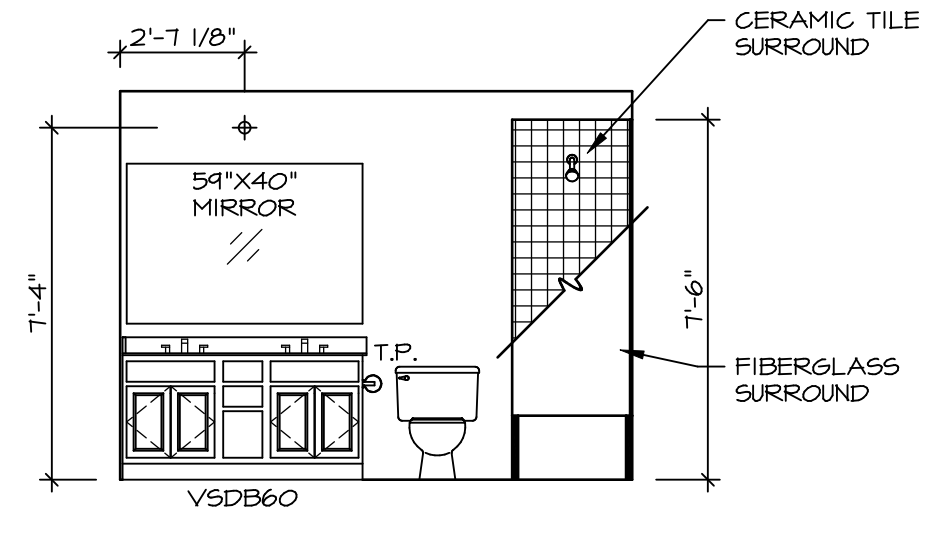


**NOTES:**

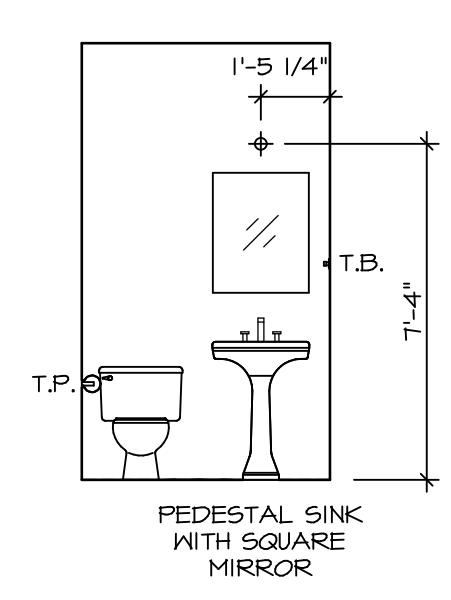
- 1. TEMPERED GLASS SHOWER ENCLOSURE WITH SLIDING DOOR OR OPTIONAL SLIDING DOOR BY DIVISION
- 2. TUB ACCESS PANELS PROVIDED AS NEEDED, ALL MATERIALS BY DIVISION
- 3. REFER TO SHEET D-11 FOR TUB AND SHOWER DETAILS.
- 4. ALL VSDB24-42 DRAWERS TO BE SET ON RIGHT HAND.
- 5. BATH ELEVATIONS ARE SHOWN PER PLAN.



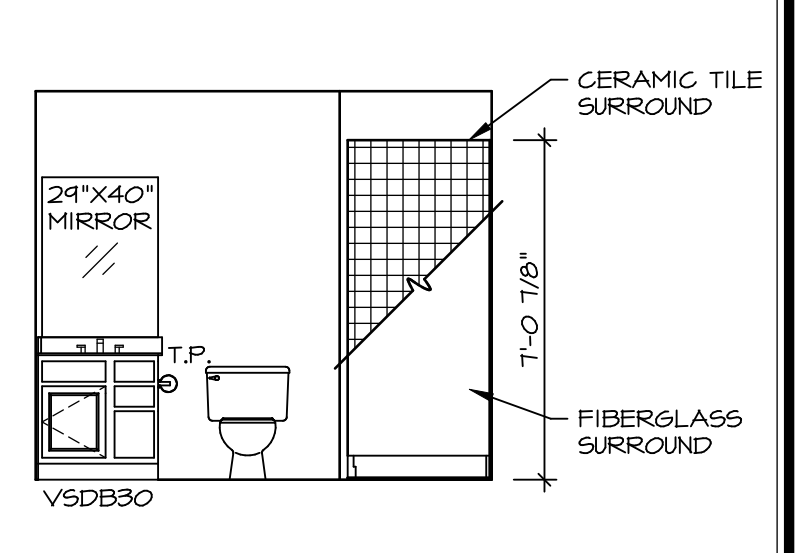
**D OWNER'S BATH**  
SCALE: 1/4" = 1'-0" OWNER'S BATH SOAKING TUB AND SHOWER "AMF"



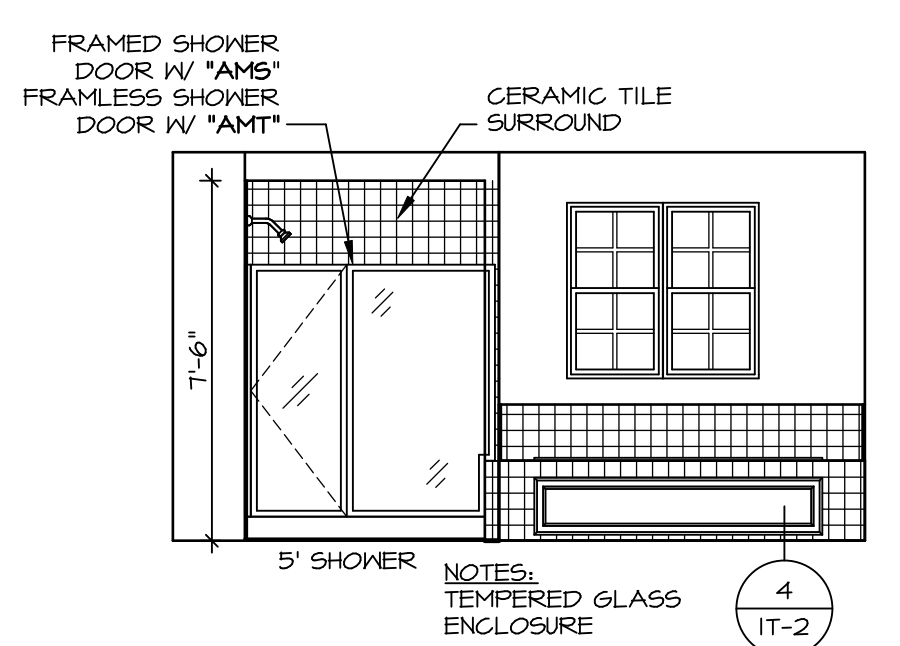
**B BATH #1**  
SCALE: 1/4" = 1'-0"



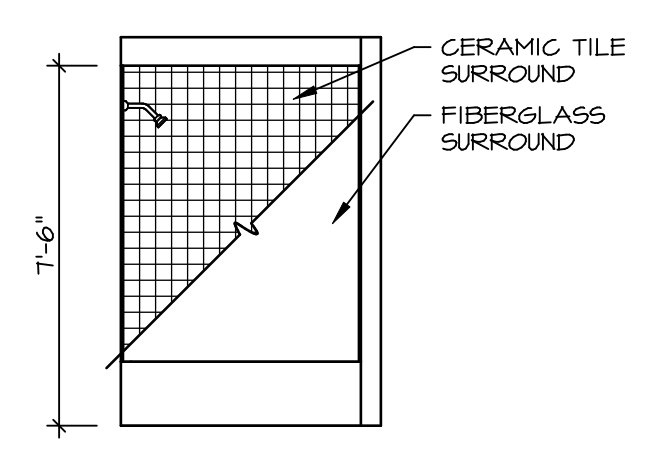
**A POWDER ROOM**  
SCALE: 1/4" = 1'-0" WITH CRAFTSMAN SPECIFICATIONS "SCZ"



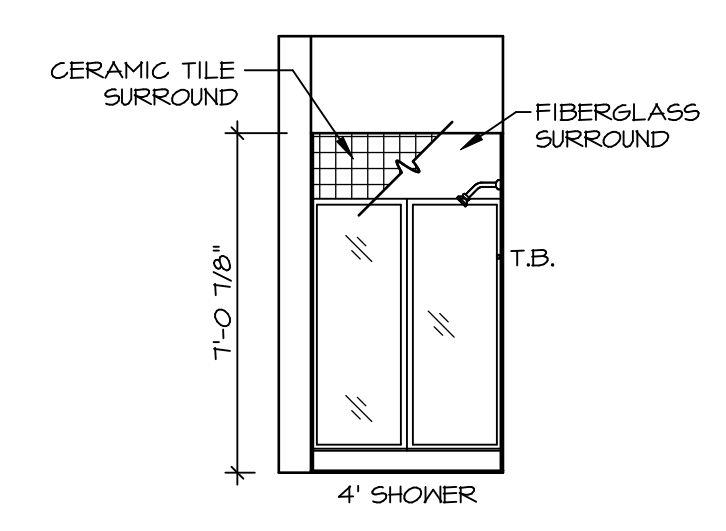
**G BASEMENT BATH**  
SCALE: 1/4" = 1'-0"



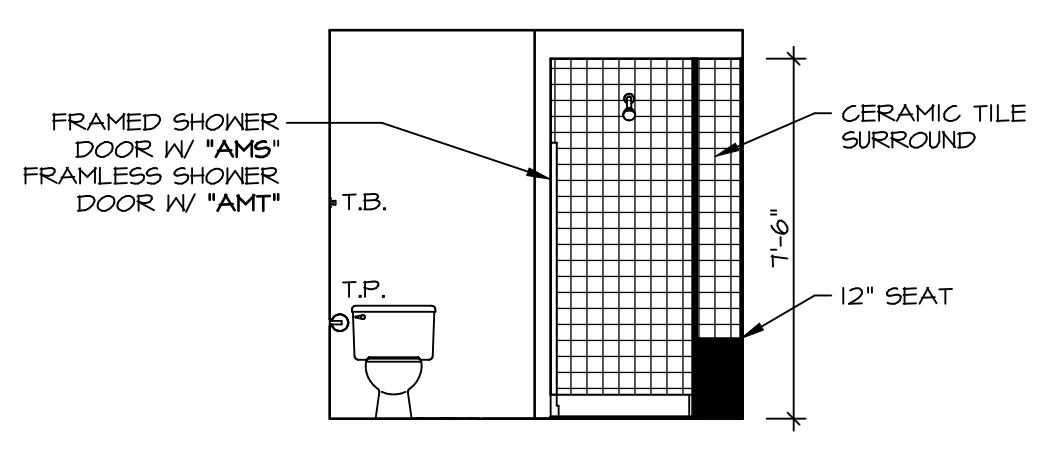
**E OWNER'S BATH**  
SCALE: 1/4" = 1'-0" OWNER'S BATH SOAKING TUB AND SHOWER "AMF"



**C BATH #1**  
SCALE: 1/4" = 1'-0"

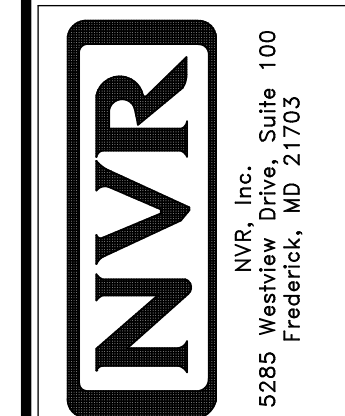


**H BASEMENT BATH**  
SCALE: 1/4" = 1'-0"

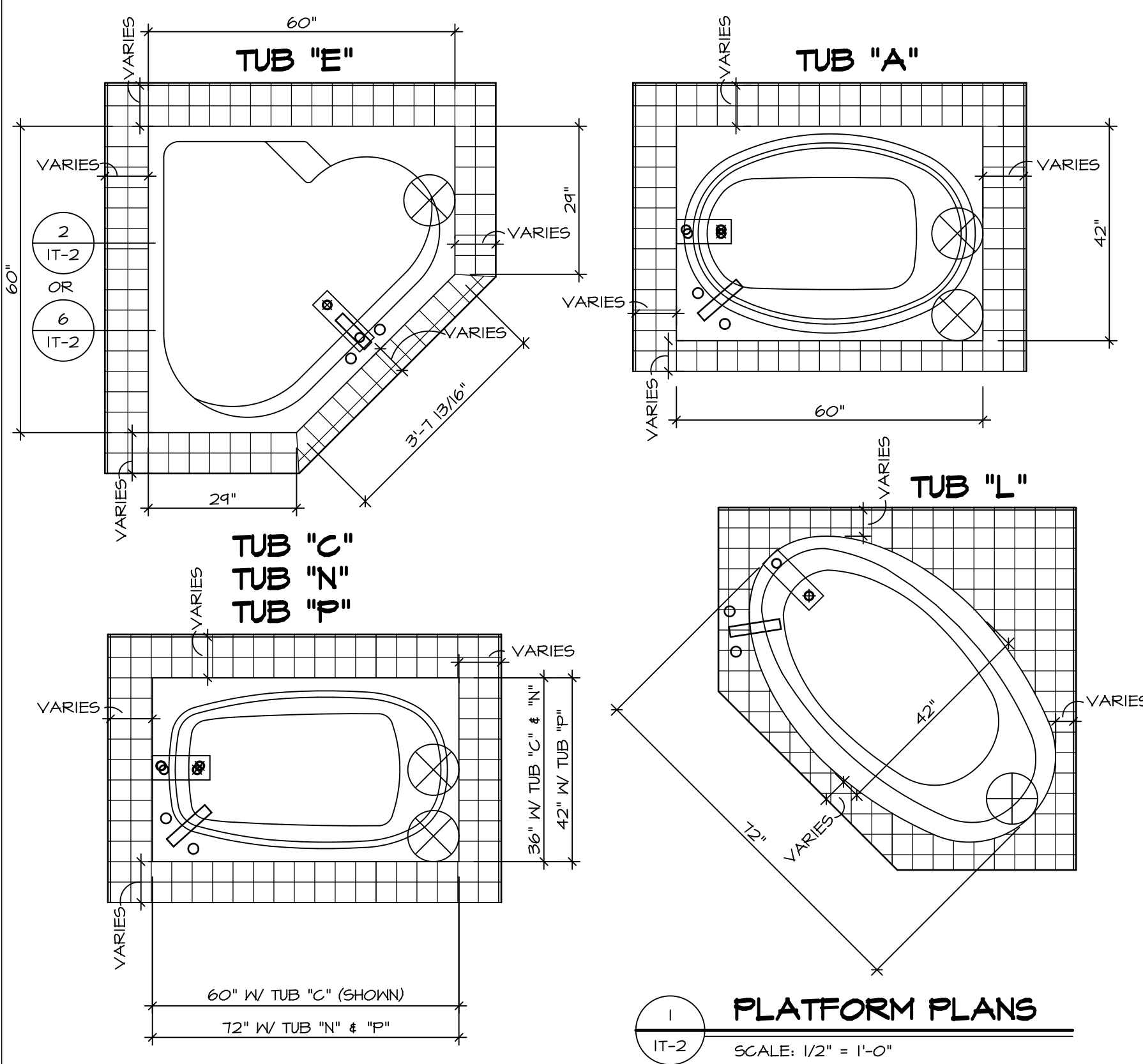


**F OWNER'S BATH**  
SCALE: 1/4" = 1'-0" OWNER'S BATH SOAKING TUB AND SHOWER "AMF"

© NVR, Inc. expressly reserves the right to modify or amend these plans at any time without notice. These plans are not to be reproduced, changed or altered in any way without the written consent of NVR, Inc.

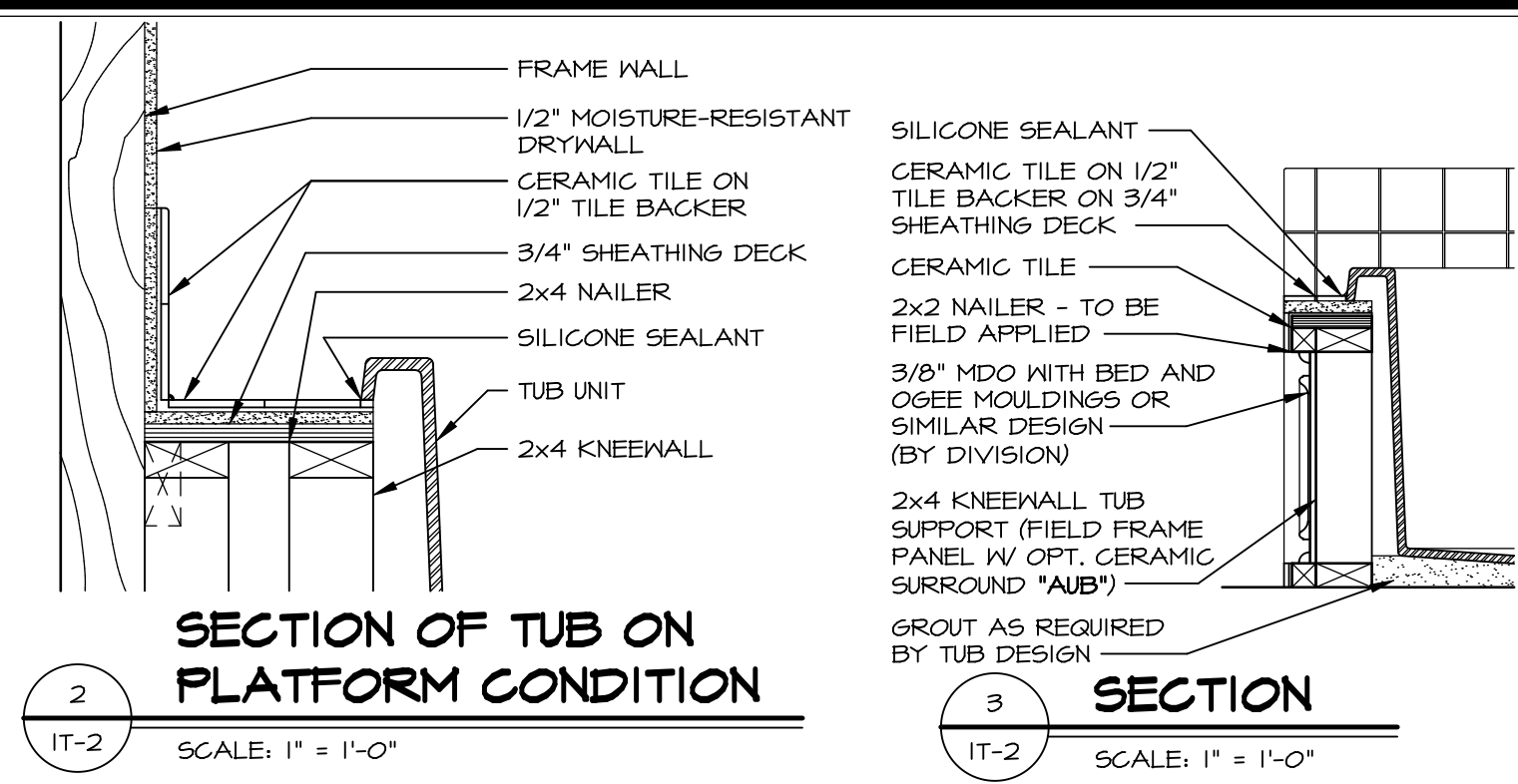


SHEET NO.	MODEL	SET NO.	VERSION	DRAWN BY	DATE	OPTION
A-13	POWELL	P1000_01	01	TJ		
56	DRAWING TITLE	BATH ELEVATIONS				
	OPTION DESCRIPTION					

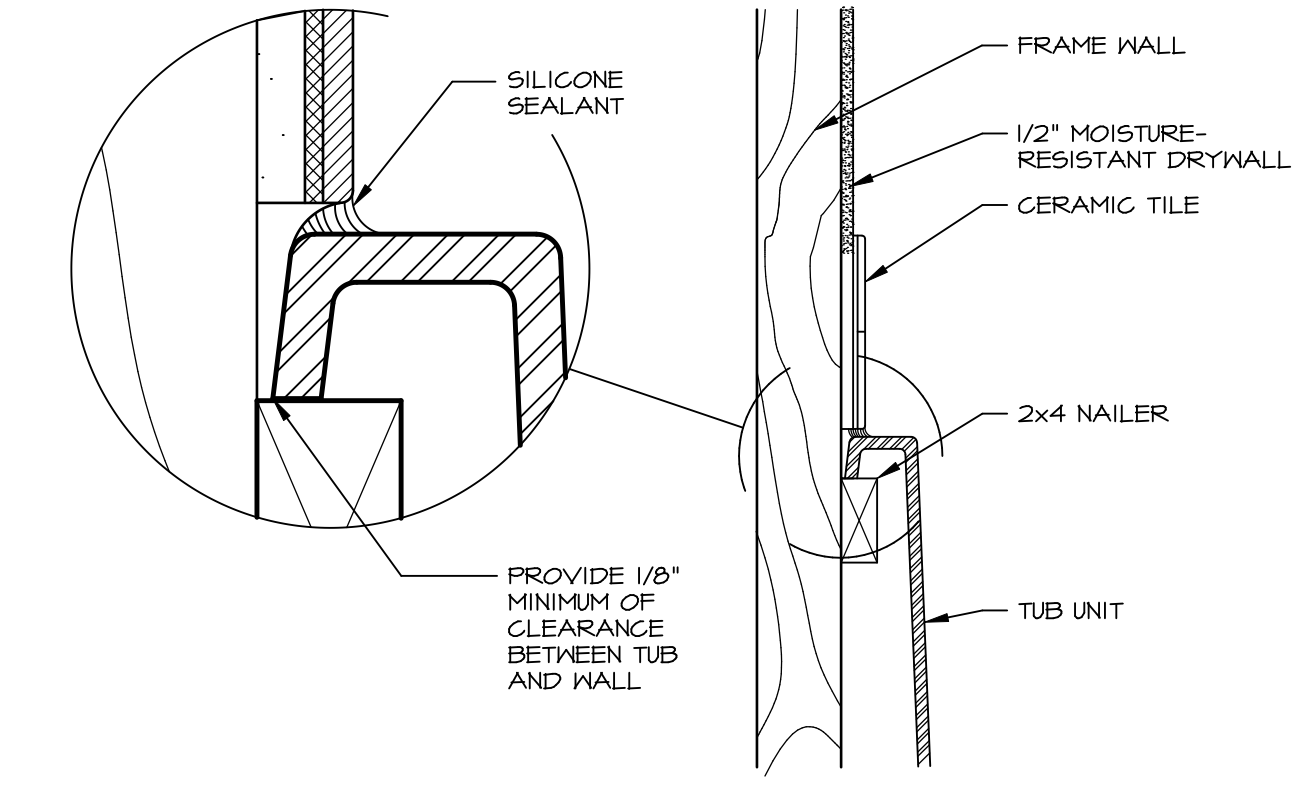


**1 PLATFORM PLANS**  
SCALE: 1/2" = 1'-0"

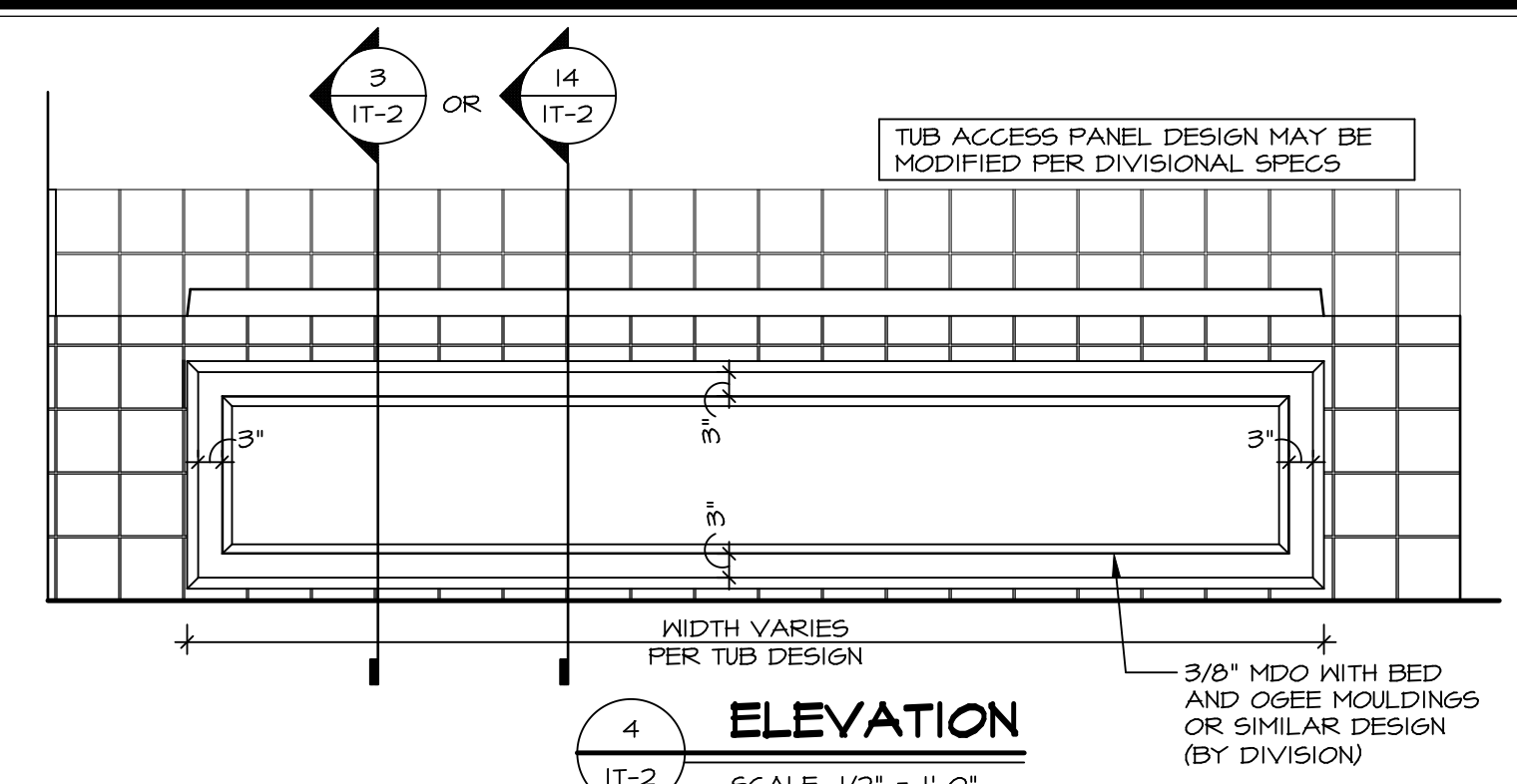
TUB	MANUF.	HEIGHT	WIDTH	LENGTH	TUB DECK PANEL HEIGHT
"A"	KOHLER/STERLING	18 3/4"	42"	60"	17 1/8"
"C"	KOHLER/STERLING	18 3/4"	36"	60"	17 1/8"
"E"	KOHLER/STERLING	19 1/2"	60"	60"	17 7/8"
"L"	KOHLER/STERLING	18 1/2"	42"	72"	16 7/8"
"N"	KOHLER/STERLING	18 3/4"	36"	72"	17 1/8"
"P"	KOHLER/STERLING	18 3/4"	42"	72"	17 1/8"



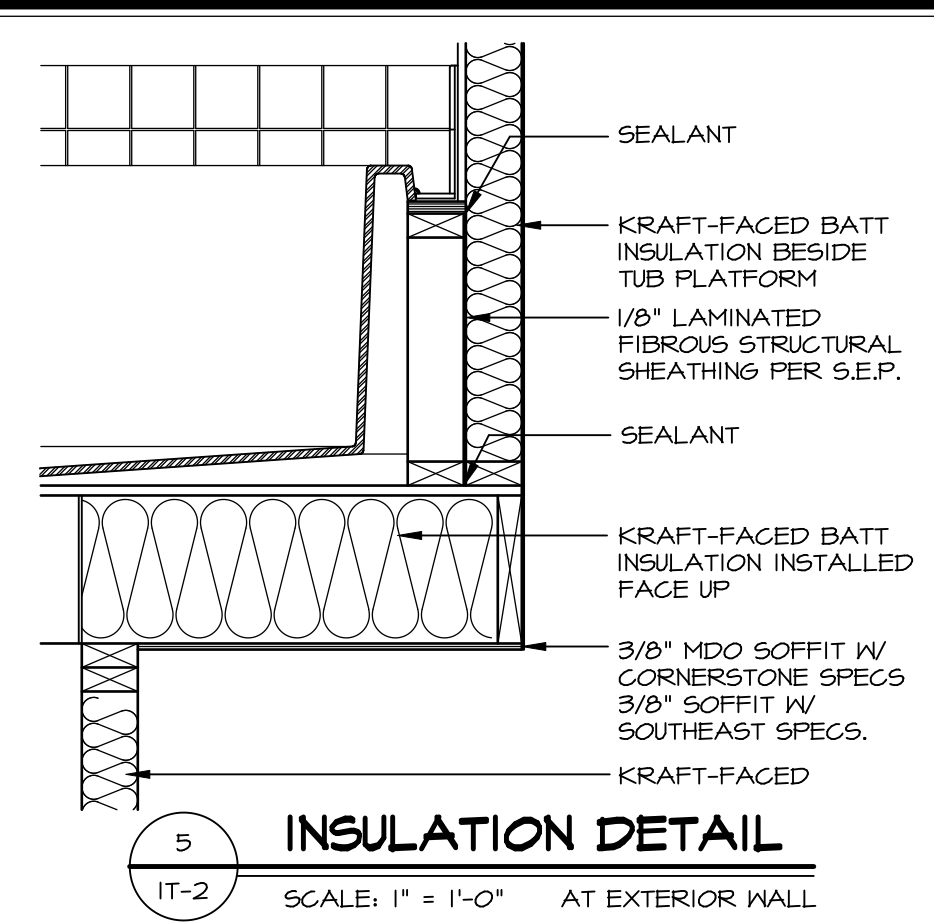
**2 SECTION OF TUB ON PLATFORM CONDITION**  
SCALE: 1" = 1'-0"



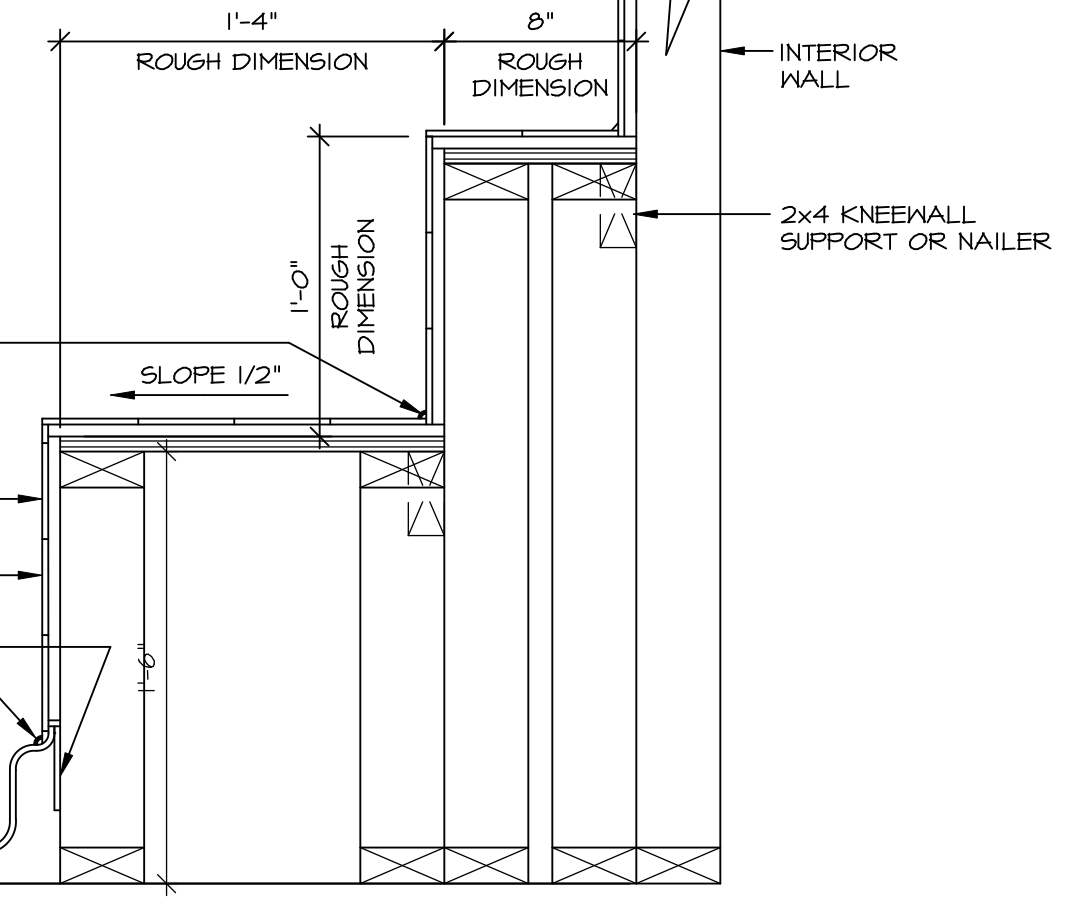
**3 SECTION OF TUB TO WALL CONDITION**  
SCALE: 1 1/2" = 1'-0"



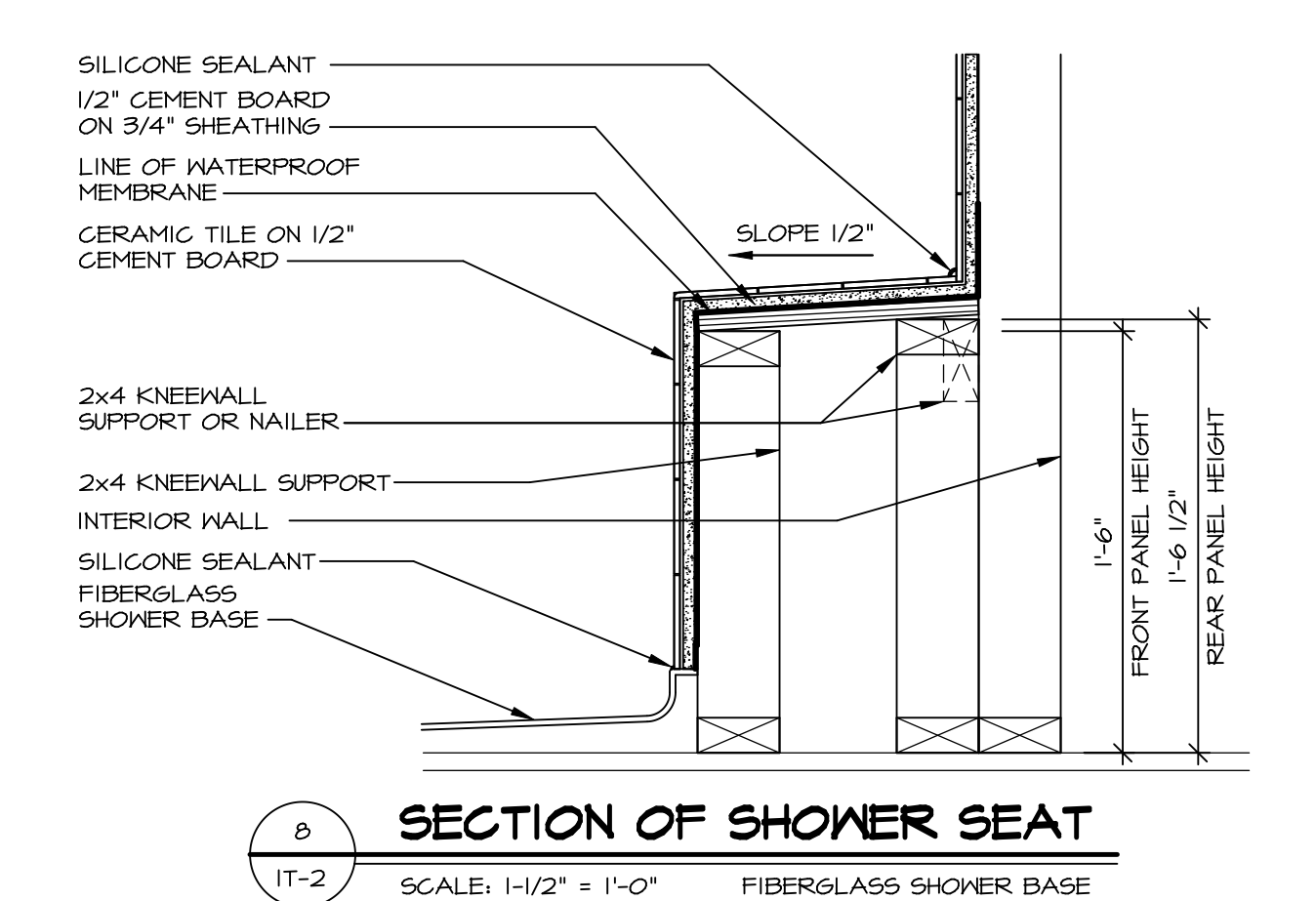
**4 ELEVATION**  
SCALE: 1/2" = 1'-0"



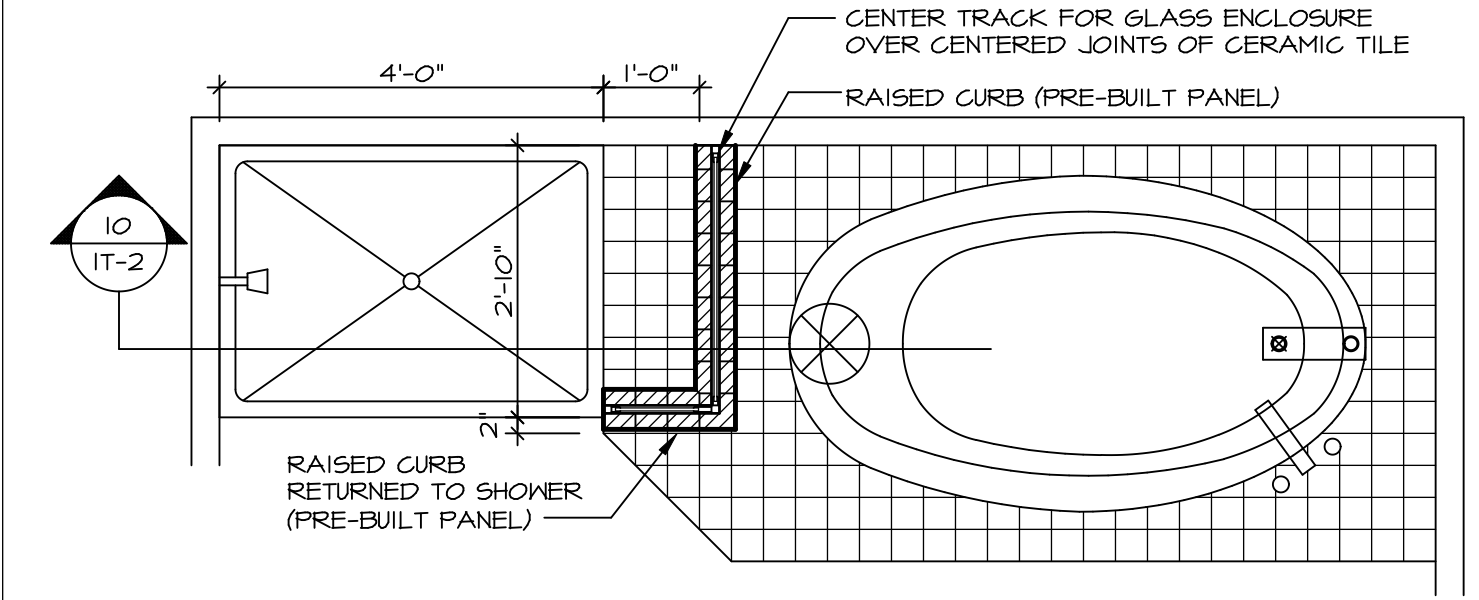
**5 INSULATION DETAIL**  
SCALE: 1" = 1'-0" AT EXTERIOR WALL



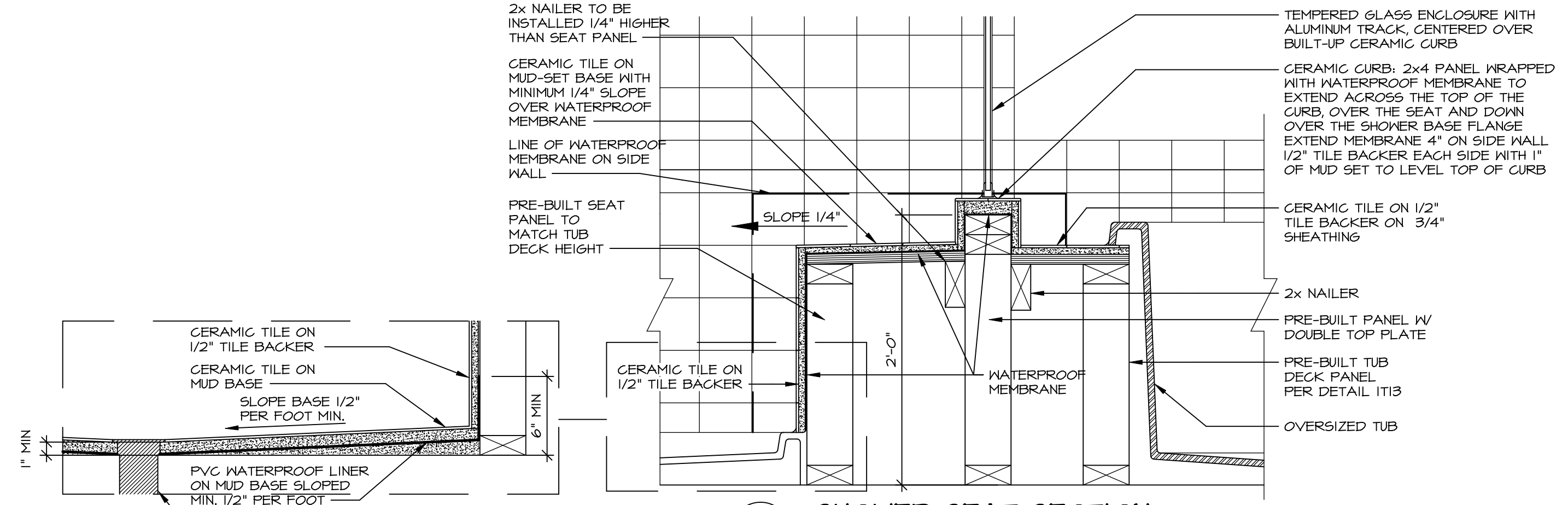
**6 SECTION OF SHOWER SEAT AND SHELF**  
SCALE: 1 1/2" = 1'-0"



**7 SECTION OF SHOWER SEAT**  
SCALE: 1-1/2" = 1'-0" FIBERGLASS SHOWER BASE



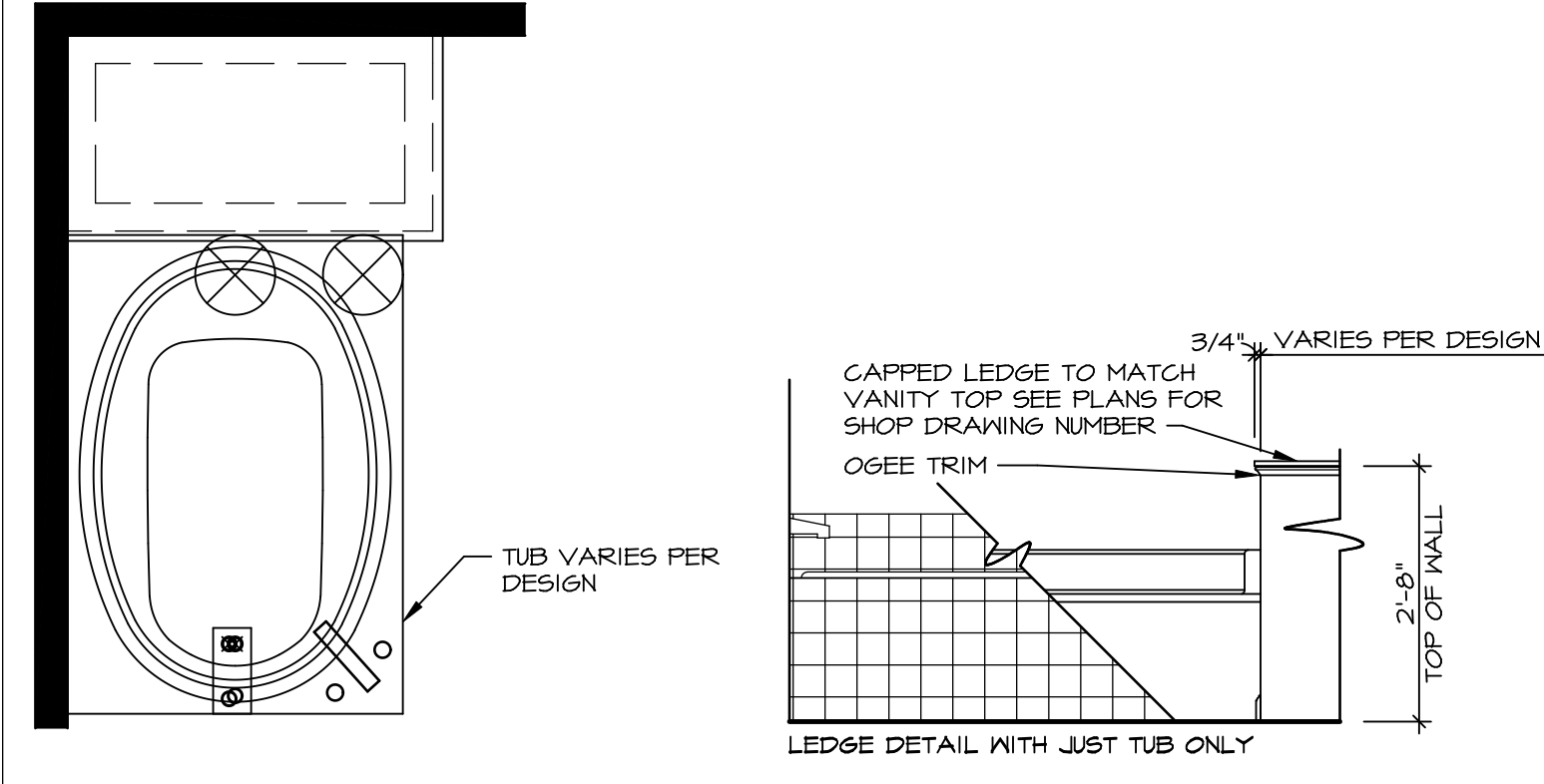
**9 SHOWER SEAT PLAN / DETAIL**  
SCALE: 1/2" = 1'-0"



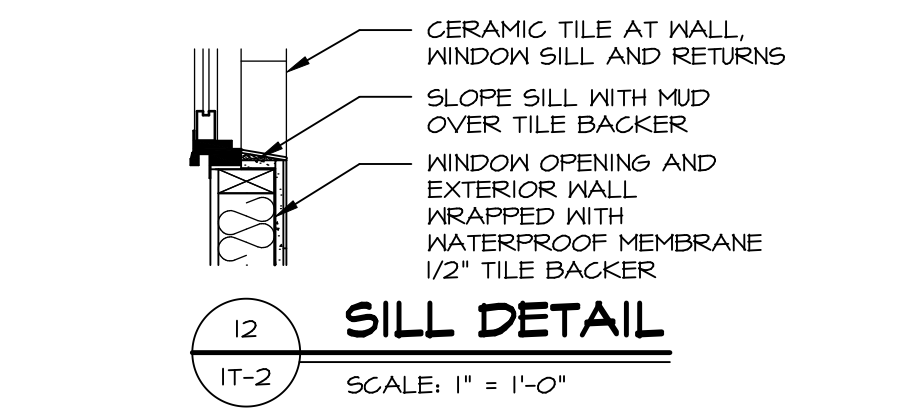
**10 SHOWER SEAT SECTION**  
SCALE: 1-1/2" = 1'-0"



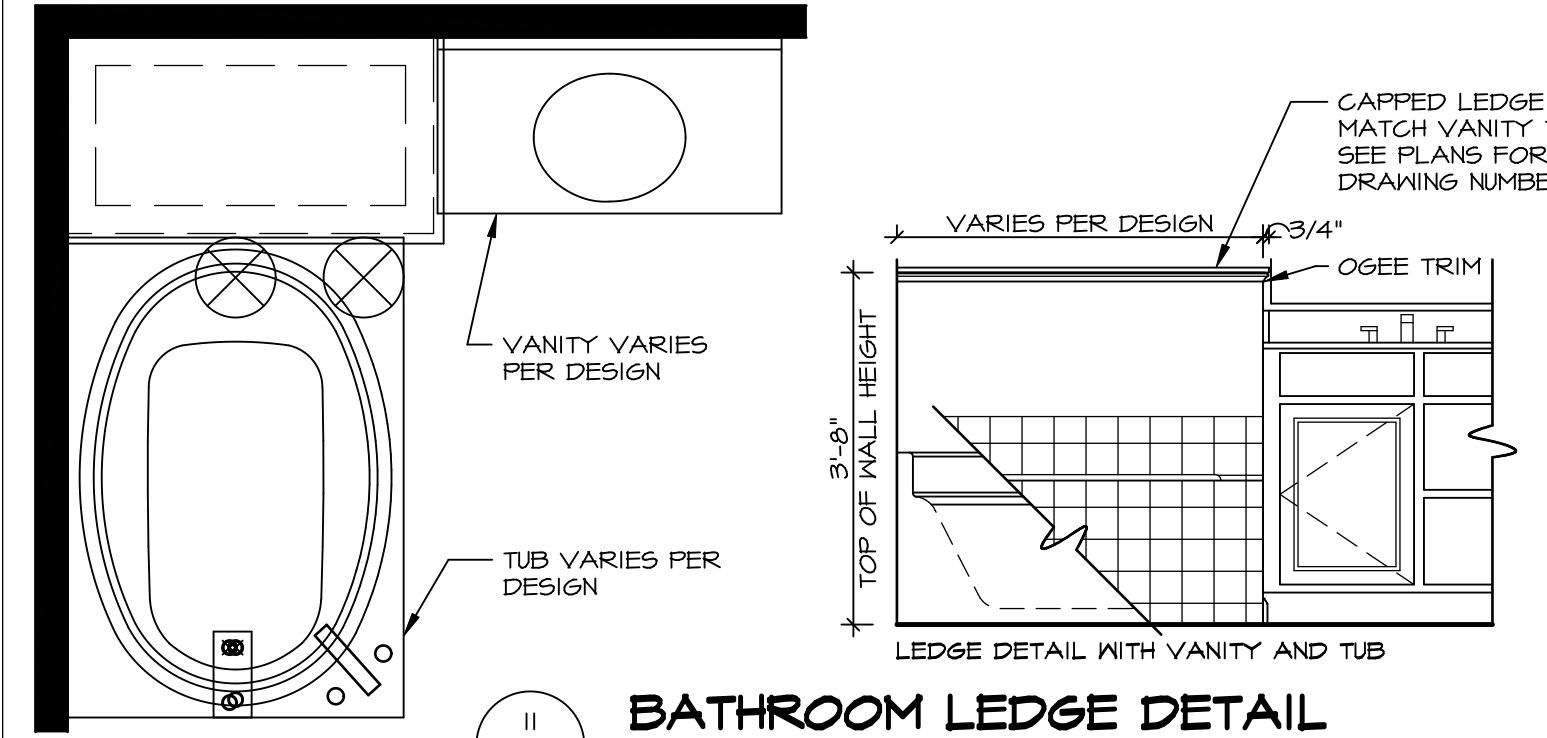
**11 ALTERNATE SHOWER PAN DETAIL**



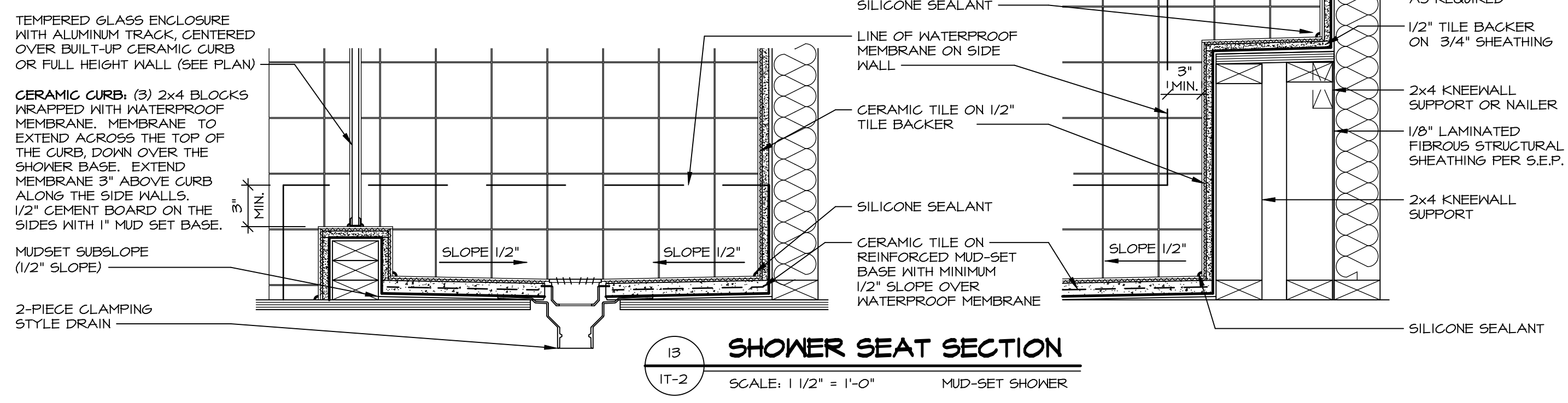
**12 BATHROOM LEDGE DETAIL**  
SCALE: 1/2" = 1'-0"



**13 SILL DETAIL**  
SCALE: 1" = 1'-0"



**14 BATHROOM LEDGE DETAIL**  
SCALE: 1/2" = 1'-0"

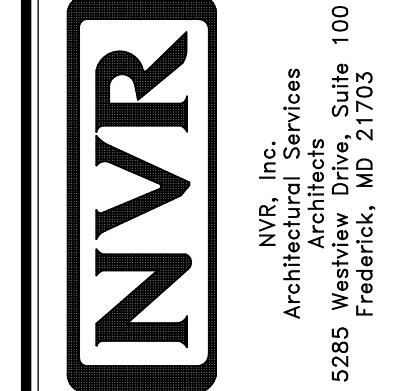


**15 SHOWER SEAT SECTION**  
SCALE: 1 1/2" = 1'-0" MUD-SET SHOWER

REMARKS

REV. NO.	DATE	DESCRIPTION
1	5/11/17	EBP - REVISED DETAIL 1 AND 11 TO REMOVE TUB ACCESS PANEL REF. (095 #15 3/4)4
2	9/21/17	EBP - REVISED T-FLY NOTE TO CALL OUT LFS
3	9/21/17	EBP - REVISED NOTE ON DETAIL #1 - REVISED ORDER OF MATERIAL PARA#49304
4	8/28/18	EBP - DTL 8 / 19 ME REMOVED THE 2x6 BULKING AT BASE OF SHWR REQUEST #4663

NVR, Inc., owner, expressly reserves its common law copyright and other property rights in these plans. These plans are not to be copied, reproduced, or otherwise used in any way without the prior written consent of NVR, Inc.



SET NO.	VERSION	DRAWN BY	DATE:	OPTION
SET NO. NVR				

MODEL: STANDARD DETAILS  
DRAWING TITLE: INTERIOR TRIM DETAILS  
BATH DETAILS  
OPTION DESCRIPTION:

SHEET NO. IT-2

C:\Users\epeterson\AppData\Local\Temp\1\AcPublish\12548\12.dwg 03/05/19 12:33 pm