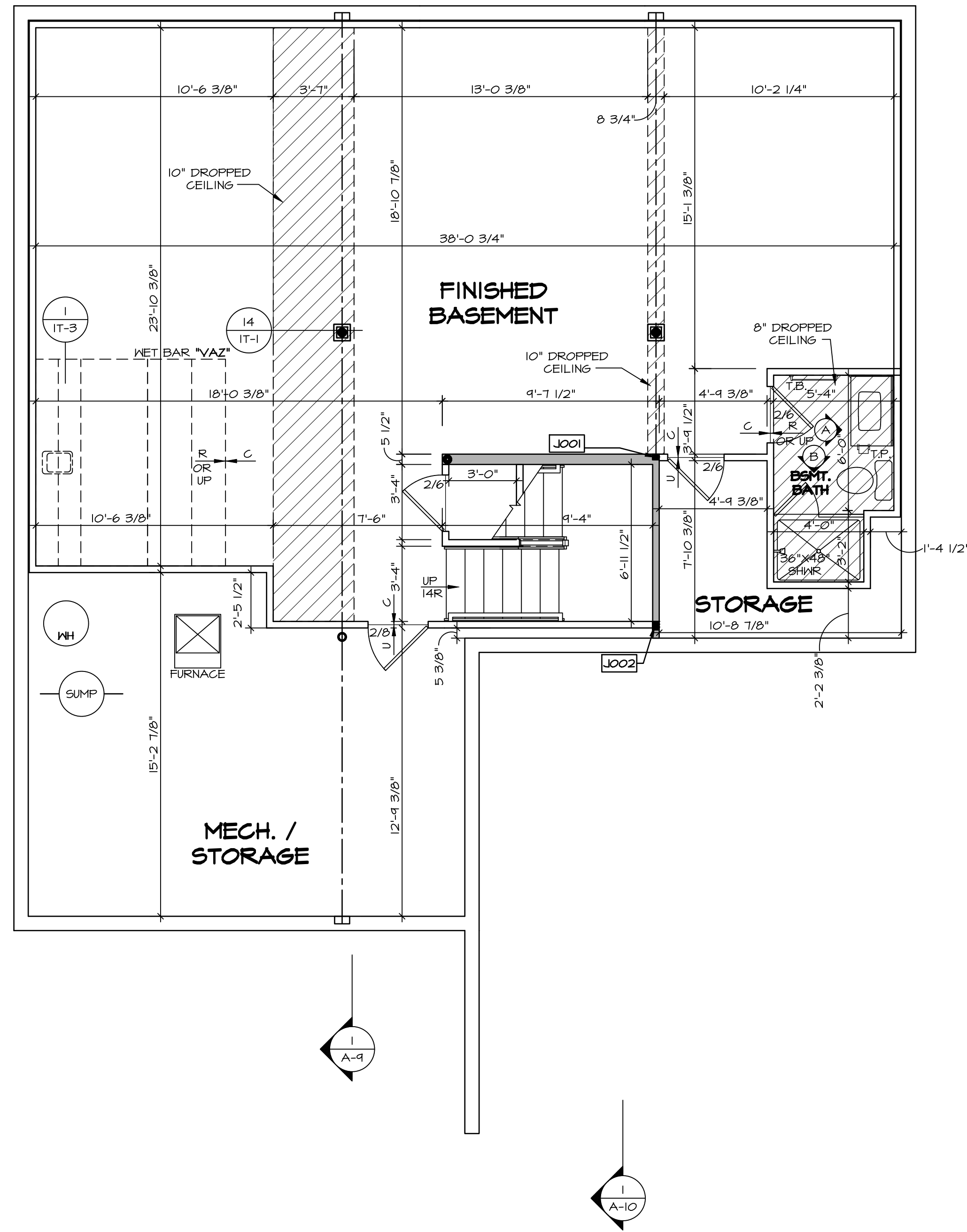


NOTE
 RADON REMEDIATION
 RADON LOOP:
 - (4") PERFORATED HDPE "LOOP"
 - MUST BE PLACED IN STONE BED SLIGHTLY HIGHER THAN ANY INTERIOR DRAINTILE
 - LOOP TO BE SEPARATE FROM ANY DRAINTILE ELEMENTS
 - TO BE CORRUGATED HDPE PIPE
 - SCREENS TO BE INSTALLED THROUGH LOOP AT TEE UP INTO STACK
 STACK REQUIREMENTS:
 - 3" PVC STACK (4" IF BASEMENT IS GREATER THAN 2200 SQFT.)
 - NO PART OF STACK IS TO BE HORIZONTAL
 - PIPE TO BE PHYSICALLY LABELED IN THE FIELD AS "RADON VENT" OR OTHER JURISDICTIONALLY REQUIRED LANGUAGE (ON EVERY LEVEL OF HOUSE)
 - ROOF TERMINATION TO BE IN TOP 1/3 OF ROOF
 - SCREEN INSTALLED TO KEEP PESTS OUT OF RADON VENT AT ROOF TERMINATION

PLUMBING PLAN
 SCALE: 1/4" = 1'-0"

SHEET NO. A-5	NOBEL LEHIGH	SET NO. LGH00	 NVR, Inc., Suite 100 Frederick, MD 21703	DIV-COMM-LOT-UNIT DCY-VR-S115
	DRAWING TITLE PLUMBING PLAN	VERSION 01		
OPTION DESCRIPTION 25		DATE: OPTION		STREET ADDRESS 1100 ELK CREEK DR
				CITY CENTERVILLE
				STATE OH
				ZIP 45458

C:\NVR\Solives\LEHIGH_LGH00_01\DCY-VR-S115\2691228\Sheet1.dwg 11/15/22 - 3:51 pm



BASEMENT FLOOR PLAN
SCALE: 1/4" = 1'-0"

LEGEND

- BEARING WALL
- NON BEARING WALL
- INDICATES BEARING FROM POINT-LOAD ABOVE
- JACKS
- BEAM/HEADER
- FOOTING/THICKENED SLAB
- STEEL COLUMN
- TRUSS TIE DOWN
- PORTAL FRAME
- JOIST/TRUSS
- LVL
- ENGINEERING PAGE NUMBER

-SEE EA DETAILS FOR FIRE ASSEMBLIES
-SEE EC DETAILS FOR FRAMING CONNECTORS

- FLOOR PLAN NOTES**
- ALL HEADERS ARE (2) 2x6 w/ 2x4 WALLS OR (3) 2x6 w/ 2x6 WALLS, UNLESS OTHERWISE NOTED.
 - ALL HEADERS TO HAVE (1) 2x4 OR 2x6 JACK AND KING STUD EACH END, UNLESS OTHERWISE NOTED.
 - ALL EXTERIOR WALLS TO BE 4" w/ OSB OR 3 1/2" w/ LAMINATED FIBROUS STRUCTURAL SHEATHING, ALL INTERIOR WALLS TO BE 3 1/2" UNLESS OTHERWISE NOTED.
 - HATCHED AREAS INDICATE DROPPED CEILINGS. ALL DROPPED CEILINGS ARE 12" UNLESS OTHERWISE NOTED.
 - SEE "BRACED WALL PANEL DETAIL SHEET" FOR SPECIAL WALL FRAMING LOCATIONS AND HEADER SIZES, IF APPLICABLE.
 - SEE STANDARD DETAIL CATEGORY "IT" SHEET(S) FOR INTERIOR TRIM DETAILS.
 - SEE ARCHITECTURAL DETAIL SHEET "AD" FOR HOUSE SPECIFIC INTERIOR TRIM OPTION TABLE.
 - ALL WINDOWS HAVE 1'-0 1/2" HEADER HEIGHT UNLESS OTHERWISE NOTED.
 - ALL HEADERS IN NON-BEARING WALLS SHALL BE A SINGLE FLAT 2x4 OR 2x6 ATTACHED TO CRIPPLES ABOVE, UNLESS OTHERWISE NOTED.
 - TANKED WATER HEATER SHOWN AS BASE CONDITION, OPTIONAL TANKLESS WATER HEATER IS AVAILABLE IN LIEU OF TANKED WATER HEATER.

- GYPSUM NOTES**
- AT GARAGE:
GYPSUM BOARD AT COMMON WALLS, CEILINGS, BEAM WRAPS AND SUPPORTS PER STANDARD DETAIL FA-1(b) FIRE ASSEMBLIES OR AS REQUIRED BY LOCAL CODE.
- AT STAIRS:
1/2" GYPSUM BOARD AT UNDERSIDE OF STAIRS AND WALLS IN CLOSET

BASEMENT JACK SCHEDULE

IDENTIFIER	DESCRIPTION	OPTIONS	ENG. NUM.	REMARKS
J001	JACK - (2) 2X4 SPF STUD GRADE		B0004, B0015	
J002	JACK - (3) 2X4 SPF STUD GRADE		B0007	

© NVR, Inc. expressly reserves its copyright and other property rights in these plans. These plans are not to be reproduced, stored in a retrieval system, copied in any form or manner whatsoever, nor are they to be used for any project without the express written consent of NVR, Inc.

NVR
NVR, Inc., Suite 100
Frederick, MD 21703

SET NO. LGH00
VERSION 01
DRAWN BY
DATE:
OPTION

NOBEL
LEHIGH
DRAWING TITLE
BASEMENT FLOOR PLAN
OPTION DESCRIPTION

SHEET NO.
A-6
28

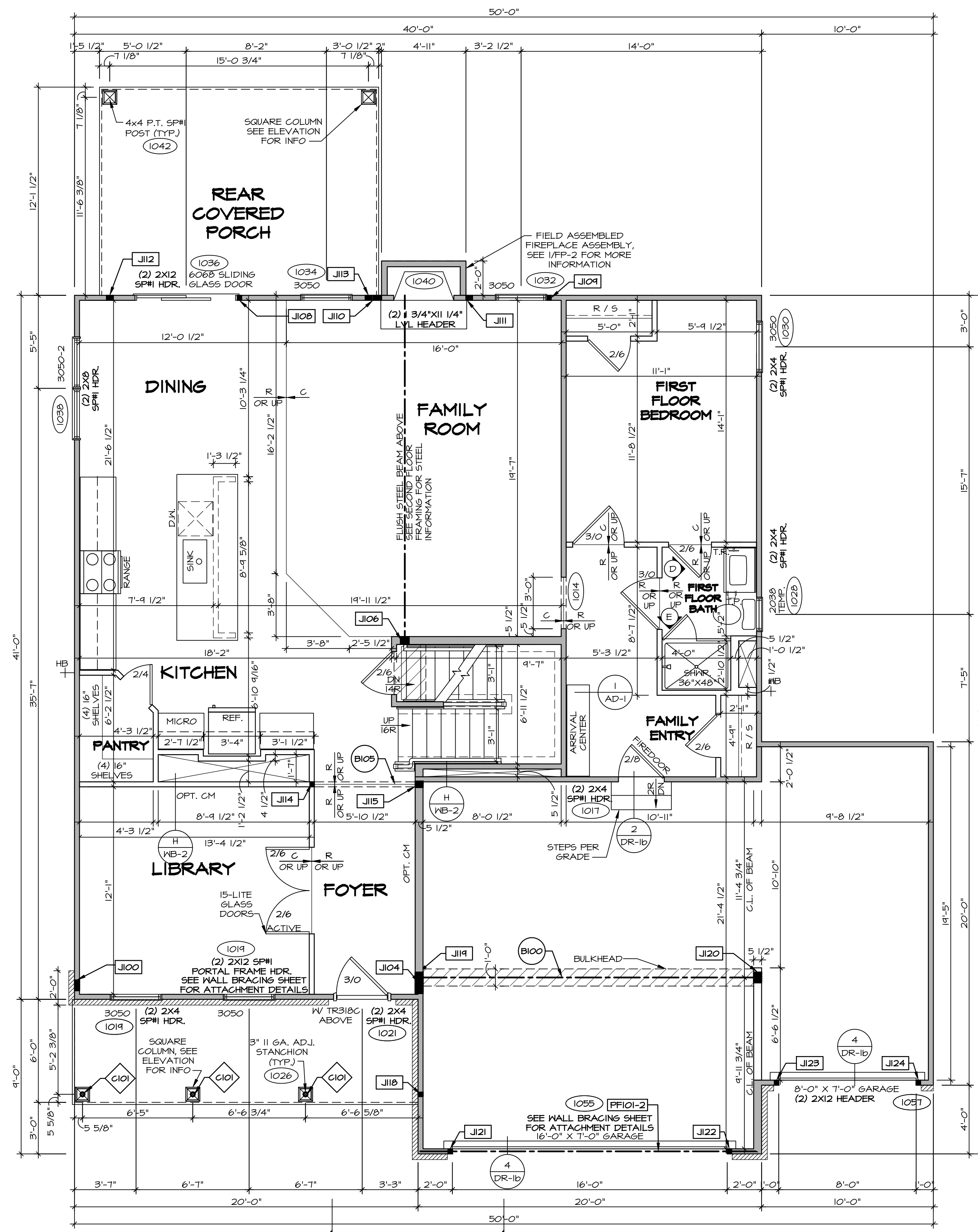
DIV-COMM-LOT-UNIT
DCY-YR-S115

COM-LOT
VLS5 OF WINDING CREEK MONT CO - S115

STREET ADDRESS
1100 ELK CREEK DR

CITY STATE ZIP
CENTERVILLE OH 45458

C:\NVR\Solmes\LEHIGH_LGH00_01\DCY-YR-S115\2691228\Sheets\Lot_Specific\28_A-6_BSMT_LS.dwg 11/15/22 - 3:51 pm



FIRST FLOOR PLAN
SCALE: 1/4" = 1'-0"

FLOOR PLAN NOTES

- ALL HEADERS ARE (2) 2x6 w/ 2x4 WALLS OR (3) 2x6 w/ 2x6 WALLS, UNLESS OTHERWISE NOTED.
- ALL HEADERS TO HAVE (1) 2x4 OR 2x6 JACK AND KING STUD EACH END, UNLESS OTHERWISE NOTED.
- ALL EXTERIOR WALLS TO BE 4" w/ OSB OR 3 1/2" w/ LAMINATED FIBROUS STRUCTURAL SHEATHING, ALL INTERIOR WALLS TO BE 3 1/2", UNLESS OTHERWISE NOTED.
- HATCHED AREAS INDICATE DROPPED CEILING. ALL DROPPED CEILING ARE 12" UNLESS OTHERWISE NOTED.
- SEE 'BRACED WALL PANEL DETAIL SHEET' FOR SPECIAL WALL FRAMING LOCATIONS AND HEADER SIZES, IF APPLICABLE.
- SEE STANDARD DETAIL CATEGORY 'IT' SHEET(S) FOR INTERIOR TRIM DETAILS.
- SEE ARCHITECTURAL DETAIL SHEET 'AD' FOR HOUSE SPECIFIC INTERIOR TRIM OPTION TABLE.
- ALL WINDOWS HAVE T-0 1/2" HEADER HEIGHT UNLESS OTHERWISE NOTED.
- ALL HEADERS IN NON-BEARING WALLS SHALL BE A SINGLE FLAT 2x4 OR 2x6 ATTACHED TO CRIPPLES ABOVE, UNLESS OTHERWISE NOTED.
- TANKED WATER HEATER SHOWN AS BASE CONDITION, OPTIONAL TANKLESS WATER HEATER IS AVAILABLE IN LIEU OF TANKED WATER HEATER.

GYPSON NOTES

- AT GARAGE:**
GYPSUM BOARD AT COMMON WALLS, CEILING, BEAM WRAPS AND SUPPORTS PER STANDARD DETAIL FA-1(b) FIRE ASSEMBLIES OR AS REQUIRED BY LOCAL CODE.
- AT STAIRS:**
1/2" GYPSUM BOARD AT UNDERSIDE OF STAIRS AND WALLS IN CLOSET

LEGEND

- BEARING WALL
- NON BEARING WALL
- INDICATES BEARING FROM POINT-LOAD ABOVE
- JACKS
- BEAM/HEADER
- FOOTING/THICKENED SLAB
- STEEL COLUMN
- TRUSS TIE DOWN
- PORTAL FRAME
- JOIST/TRUSS
- LVL
- ENGINEERING PAGE NUMBER

FIRST FLOOR JACK SCHEDULE

IDENTIFIER	DESCRIPTION	OPTIONS	ENG. NUM.
J100	JACK - (5) 2X4 SFF#		2000
J104	JACK - (5) 2X6 SFF STUD GRADE	ELK	2000
J106	JACK - (4) 2X6 SFF STUD GRADE		1016
J108	JACK - (2) 2X4 SFF STUD GRADE		1036
J109	JACK - (2) 2X4 SFF STUD GRADE		1032
J110	JACK - (4) 2X4 SFF STUD GRADE	L6F	1040
J111	JACK - (3) 2X4 SFF STUD GRADE	L6F	1040
J112	JACK - (3) 2X4 SFF STUD GRADE	EPE	1042
J113	JACK - (3) 2X4 SFF STUD GRADE	EPE	1042
J114	JACK - (2) 2X4 SFF STUD GRADE		1013
J115	JACK - (3) 2X6 SFF STUD GRADE		1013
J116	JACK - (2) 2X4 SFF STUD GRADE		1026
J119	JACK - (5) 2X6 SFF#	SXC	1044, 1044
J120	JACK - (5) 2X6 SFF STUD GRADE	GCB, GCF	1044, 1044
J121	JACK - (2) 2X4 SFF STUD GRADE	GCB, GCF	1055
J122	JACK - (2) 2X4 SFF STUD GRADE	GCB, GCF	1055
J123	JACK - (2) 2X4 SFF STUD GRADE	GCF	1051
J124	JACK - (2) 2X4 SFF STUD GRADE	GCF	1051

LVL PLY TO PLY FASTENING SCHEDULE: (WHERE APPLICABLE BASED ON LVL USAGE)

- 1.A - (2) PLY UP TO AND INCLUDING 11 7/8" TALL; FASTEN PLYS W/ (2) ROWS 16D NAILS AT 12" O.C. OR ALT 1 1/2" WIDE LVL FASTEN PLYS W/ (3) ROWS 12D NAILS AT 12" O.C.
- 2.A - (2) PLY 14" TO AND 18" TALL (INCLUSIVE); FASTEN PLYS W/ (3) ROWS 16D NAILS AT 12" O.C. OR ALT 1 1/2" WIDE LVL FASTEN PLYS W/ (4) ROWS 12D NAILS AT 12" O.C.
- 3.A - (2) PLY 20" TALL AND OVER; FASTEN PLYS W/ (4) ROWS 16D NAILS AT 12" O.C. OR ALT 1 1/2" WIDE LVL FASTEN PLYS W/ (5) ROWS 12D NAILS AT 12" O.C.
- 4.A - (3) PLY UP TO AND INCLUDING 11 7/8" TALL; FASTEN PLYS W/ (2) ROWS 16D NAILS AT 12" O.C. FROM EACH SIDE OR ALT 1 1/2" WIDE LVL FASTEN PLYS W/ (3) ROWS 12D NAILS AT 12" O.C. FROM EACH SIDE.
- 5.A - (3) PLY 14" TO AND 18" TALL (INCLUSIVE); FASTEN PLYS W/ (3) ROWS 16D NAILS AT 12" O.C. FROM EACH SIDE OR ALT 1 1/2" WIDE LVL FASTEN PLYS W/ (4) ROWS 12D NAILS AT 12" O.C. FROM EACH SIDE.
- 6.A - (3) PLY 20" TALL AND OVER; FASTEN PLYS W/ (4) ROWS 16D NAILS AT 12" O.C. FROM EACH SIDE OR ALT 1 1/2" WIDE LVL FASTEN PLYS W/ (5) ROWS 12D NAILS AT 12" O.C. FROM EACH SIDE.
- 1.A - (4) PLY (ALL SIZES); FASTEN PLYS W/ (2) ROWS 1/2" DIAMETER A307 BOLTS AT 24" O.C. SEE SHOP DRAWING FOR ADDITIONAL INFORMATION.

FIELD INSTALLED FIRST FLOOR BEAM/HEADER SCHEDULE

IDENTIFIER	DESCRIPTION	LENGTH	OPTIONS	ENG. NUM.	REMARKS
B100	BEAM STEEL - W12X35	20'-1 1/2"	SXC	1044, 1044	
B105	INT HEADER - 2X8 - 2 PLY	6'-1"		1013	2-PLY, 1A
FF101-2	LVL 1.75 - 11-04	19'-9"	GCB, GCF	1055	

STEEL COLUMN SCHEDULE

IDENTIFIER	STYLE	HEIGHT	OPTIONS	ENG. NUM.	REMARKS
C101	STANCHION PORCH - 3 IN DIA 16GA ADJ	8'-8 5/8"		1026	

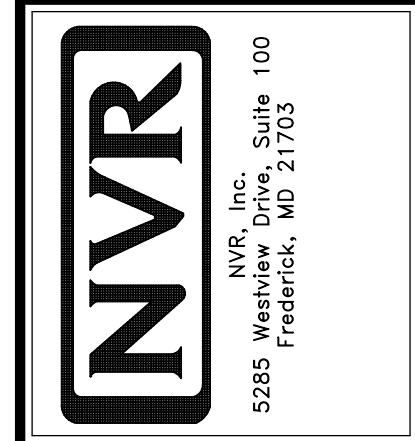
DIV-COMM-LOT-UNIT
DCY-YR-S15

COM-LOT
COM-LOT
STREET ADDRESS
1100 ELK CREEK DR
CITY
CENTERVILLE

APT. NO.

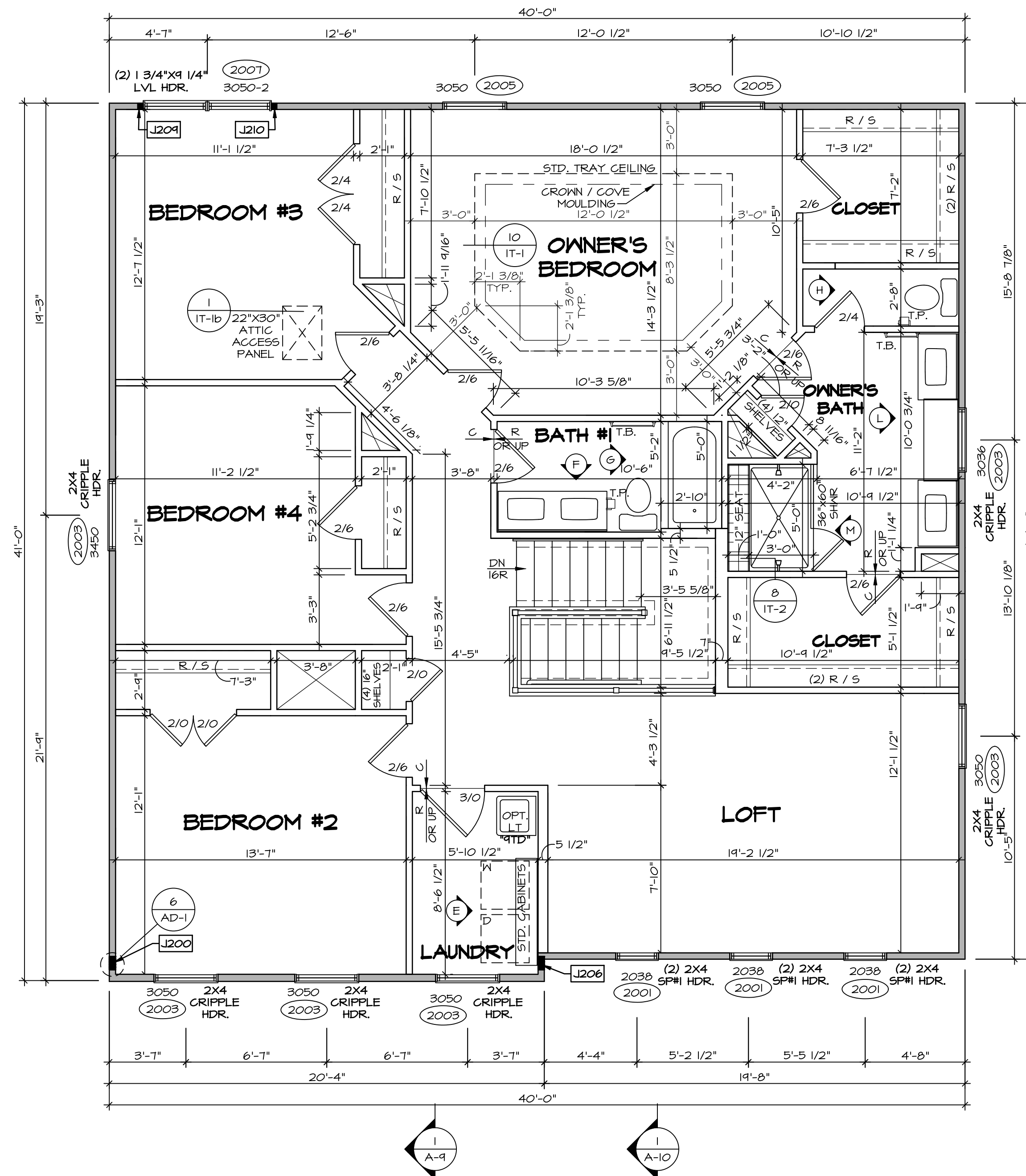
STATE
OH
ZIP
45458

NVR, Inc., expressly warrants the copyright and other property rights in these plans. These plans are not to be copied, reproduced, or otherwise used in any form or manner whatsoever, nor are they to be used for any project without the prior written consent of NVR, Inc.



SET NO. LGH00
VERSION C1
DRAWN BY
DATE:
OPTION

SHEET NO.
A-7
NOBEL LEHIGH
DRAWING TITLE
FIRST FLOOR PLAN
OPTION DESCRIPTION
30



SECOND FLOOR PLAN
SCALE: 1/4" = 1'-0"

LEGEND

- BEARING WALL
- NON BEARING WALL
- ⊗ INDICATES BEARING FROM POINT-LOAD ABOVE
- J JACKS
- B BEAM/HEADER
- T/F FOOTING/THICKENED SLAB
- C STEEL COLUMN
- X TRUSS TIE DOWN
- X PORTAL FRAME
- X JOIST/TRUSS
- LVL
- X ENGINEERING PAGE NUMBER

-SEE EA DETAILS FOR FIRE ASSEMBLIES
-SEE EC DETAILS FOR FRAMING CONNECTORS

- FLOOR PLAN NOTES**
1. ALL HEADERS ARE (2) 2x6 w/ 2x4 WALLS OR (3) 2x6 w/ 2x6 WALLS, UNLESS OTHERWISE NOTED.
 2. ALL HEADERS TO HAVE (1) 2x4 OR 2x6 JACK AND KING STUD EACH END, UNLESS OTHERWISE NOTED.
 3. ALL EXTERIOR WALLS TO BE 4" w/ OSB OR 3 1/2" w/ LAMINATED FIBROUS STRUCTURAL SHEATHING, ALL INTERIOR WALLS TO BE 5 1/2" UNLESS OTHERWISE NOTED.
 4. HATCHED AREAS INDICATE DROPPED CEILINGS. ALL DROPPED CEILINGS ARE 12" UNLESS OTHERWISE NOTED.
 5. SEE "BRACED WALL PANEL DETAIL SHEET" FOR SPECIAL WALL FRAMING LOCATIONS AND HEADER SIZES, IF APPLICABLE.
 6. SEE STANDARD DETAIL CATEGORY "IT" SHEET(S) FOR INTERIOR TRIM DETAILS.
 7. SEE ARCHITECTURAL DETAIL SHEET "AD" FOR HOUSE SPECIFIC INTERIOR TRIM OPTION TABLE.
 8. ALL WINDOWS HAVE 1'-0 1/2" HEADER HEIGHT UNLESS OTHERWISE NOTED.
 9. ALL HEADERS IN NON-BEARING WALLS SHALL BE A SINGLE FLAT 2x4 OR 2x6 ATTACHED TO CRIPPLES ABOVE, UNLESS OTHERWISE NOTED.
 10. TANKED WATER HEATER SHOWN AS BASE CONDITION, OPTIONAL TANKLESS WATER HEATER IS AVAILABLE IN LIEU OF TANKED WATER HEATER.

- GYPSUM NOTES**
- AT GARAGE:
GYPSUM BOARD AT COMMON WALLS, CEILINGS, BEAM WRAPS AND SUPPORTS PER STANDARD DETAIL FA-(b) FIRE ASSEMBLIES OR AS REQUIRED BY LOCAL CODE.
- AT STAIRS:
1/2" GYPSUM BOARD AT UNDERSIDE OF STAIRS AND WALLS IN CLOSET

SECOND FLOOR JACK SCHEDULE

IDENTIFIER	DESCRIPTION	OPTIONS	ENG. NUM.	REMARKS
J200	JACK - (5) 2X4 SFF#1		2000	1/8"X3 1/2"X1 1/2" STEEL BEARING PLATE, EXTEND THRU TOP PLATES
J206	JACK - (5) 2X4 SFF#1	ELK	2000	1/8"X3 1/2"X1 1/2" STEEL BEARING PLATE, EXTEND THRU TOP PLATE
J201	JACK - (2) 2X4 SFF STUD GRADE		2001	
J210	JACK - (2) 2X4 SFF STUD GRADE		2001	

DIV-COMM-LOT-UNIT
DCY-YR-S15

COMM-LOT
VLS OF KINDING CREEK MONT CO - S15

STREET ADDRESS
1100 ELK CREEK DR

APT. NO.

STATE
OH

ZIP
45458

© NVR, Inc., expressly reserves its copyright and other property rights in these plans. These plans are not to be reproduced, stored in a retrieval system, copied in any form or manner whatsoever, nor are they to be used for any project without the prior written consent of NVR, Inc.

NVR, Inc., Suite 100
5285 Westrick, MD 21703

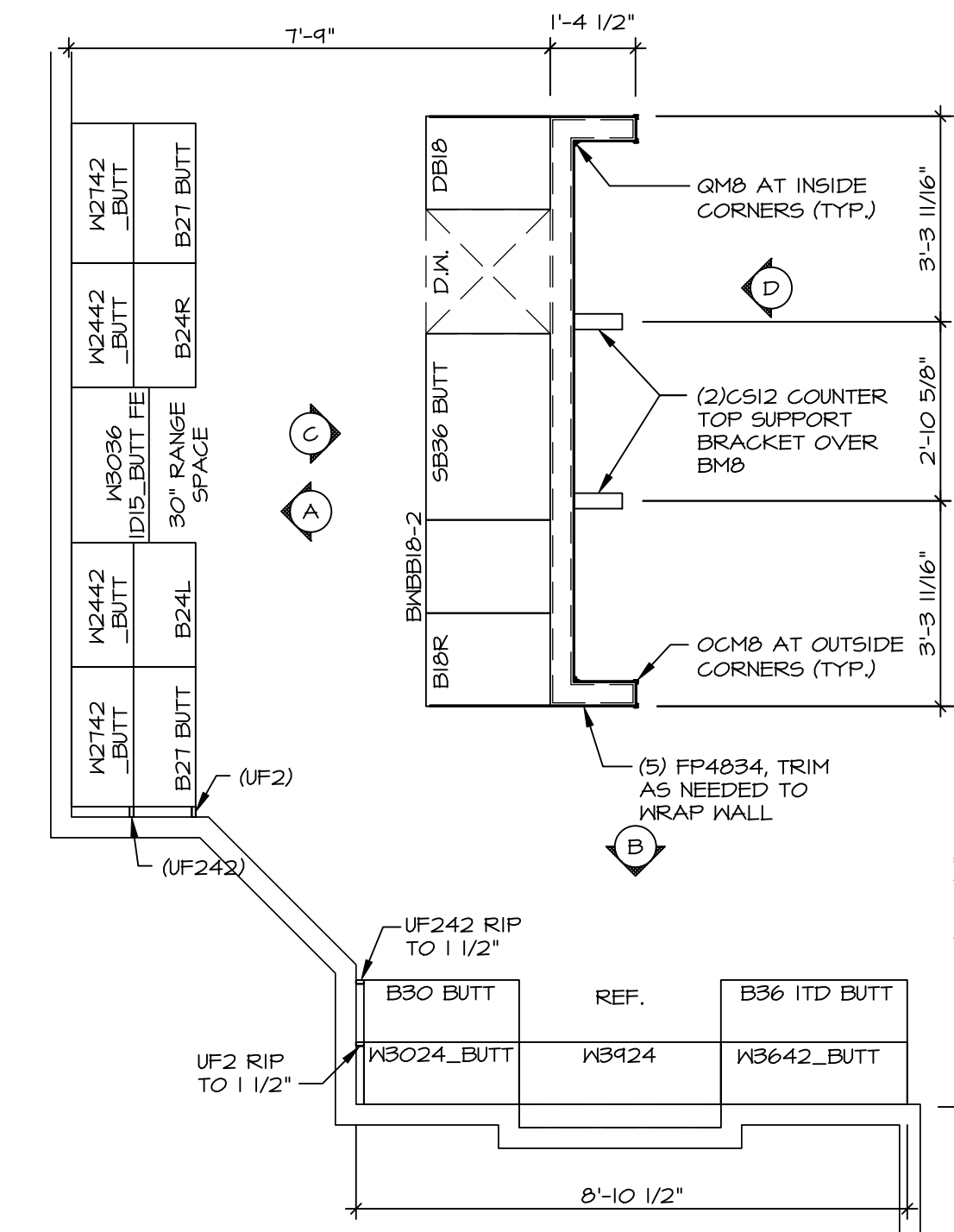
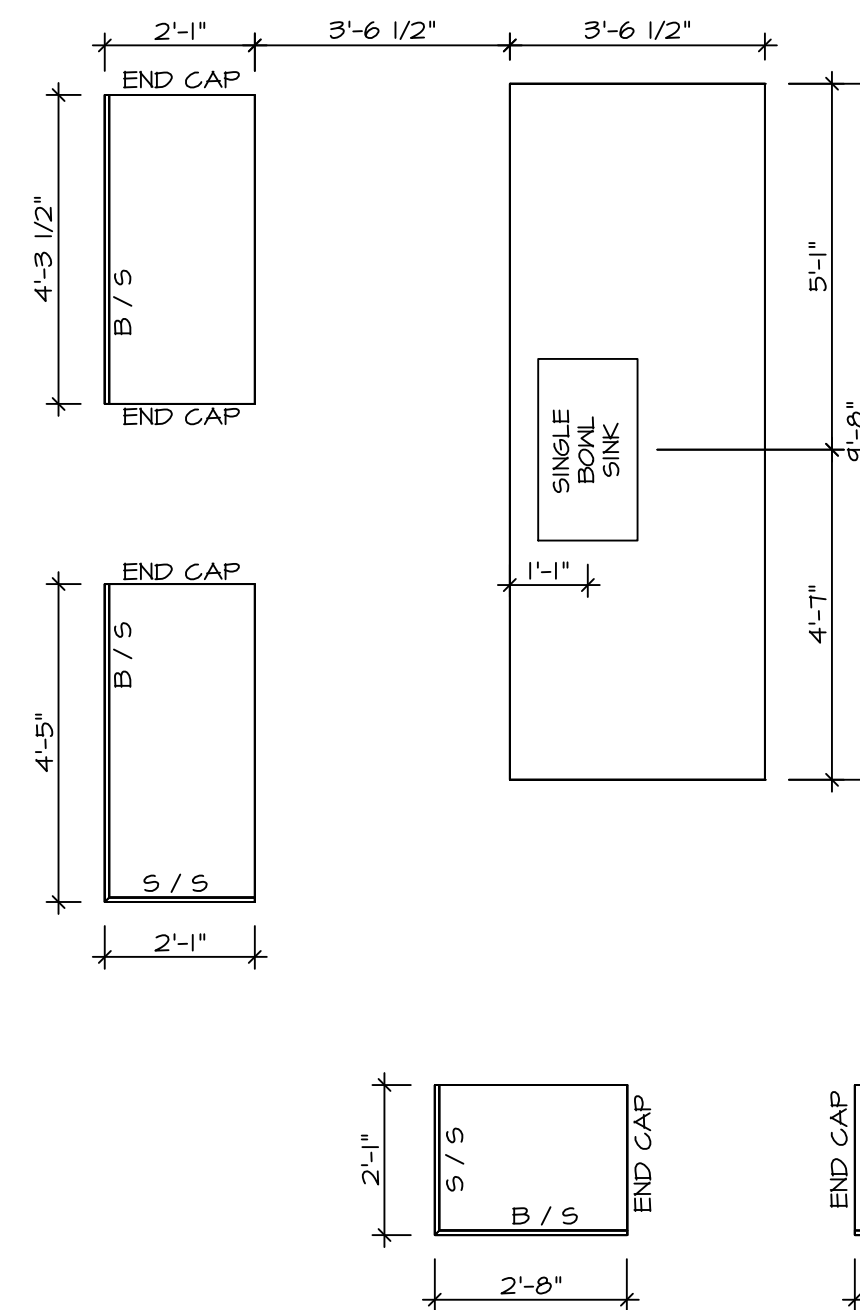
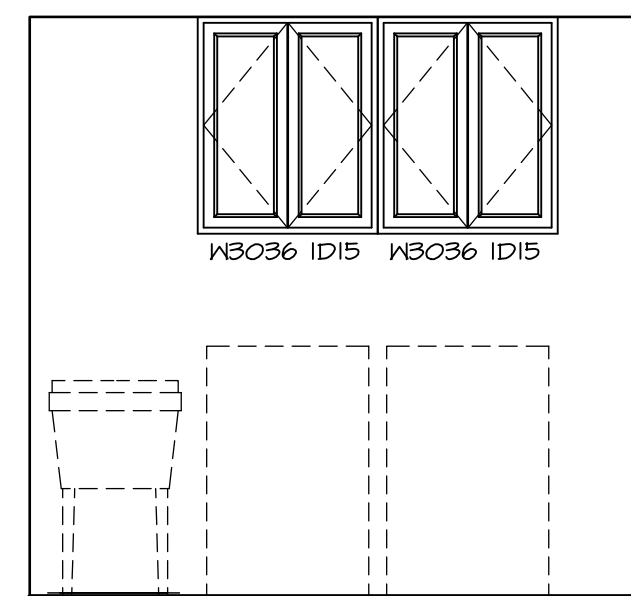
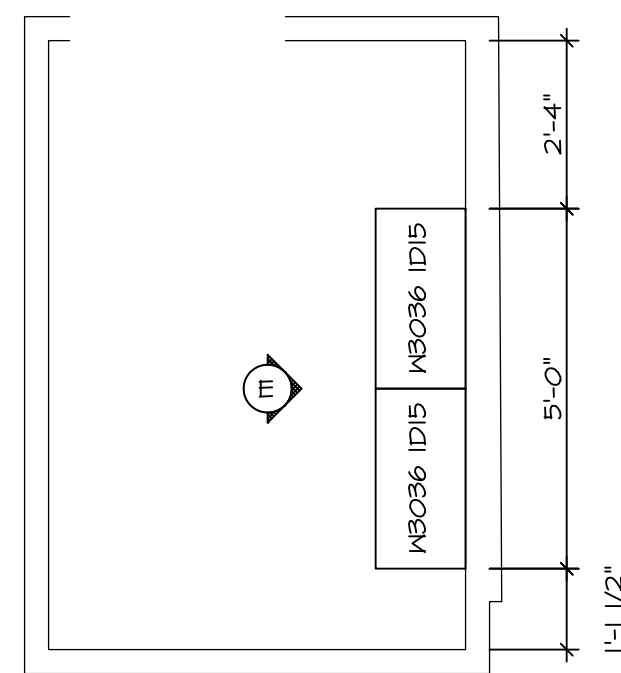
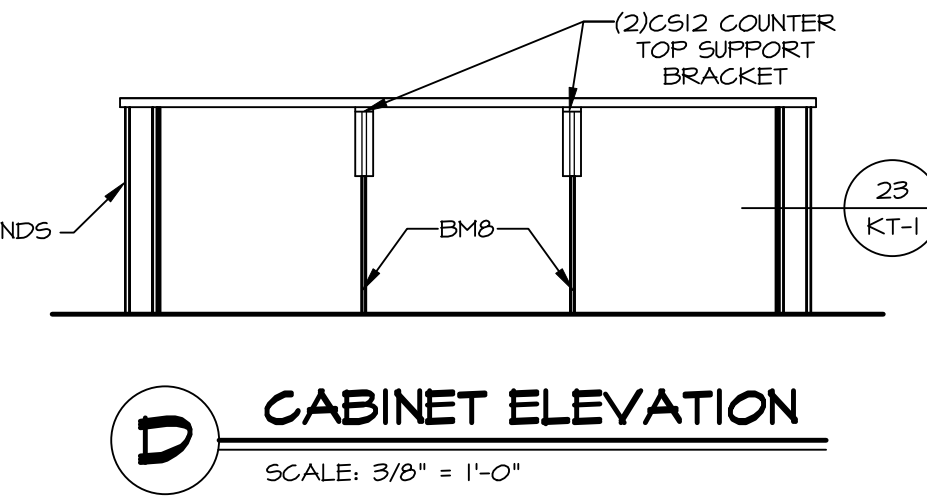
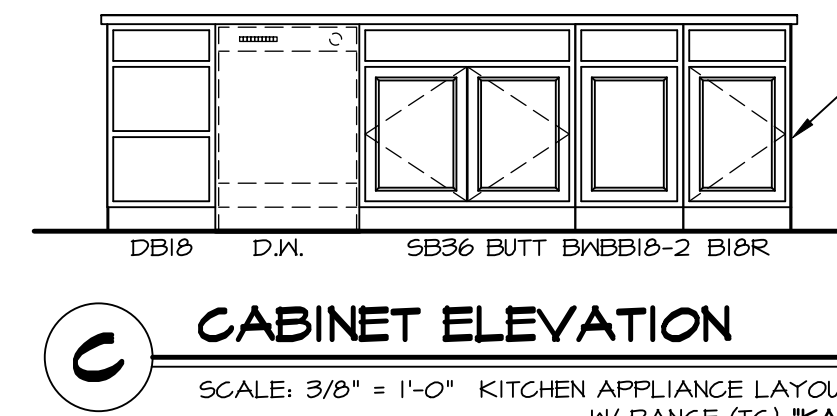
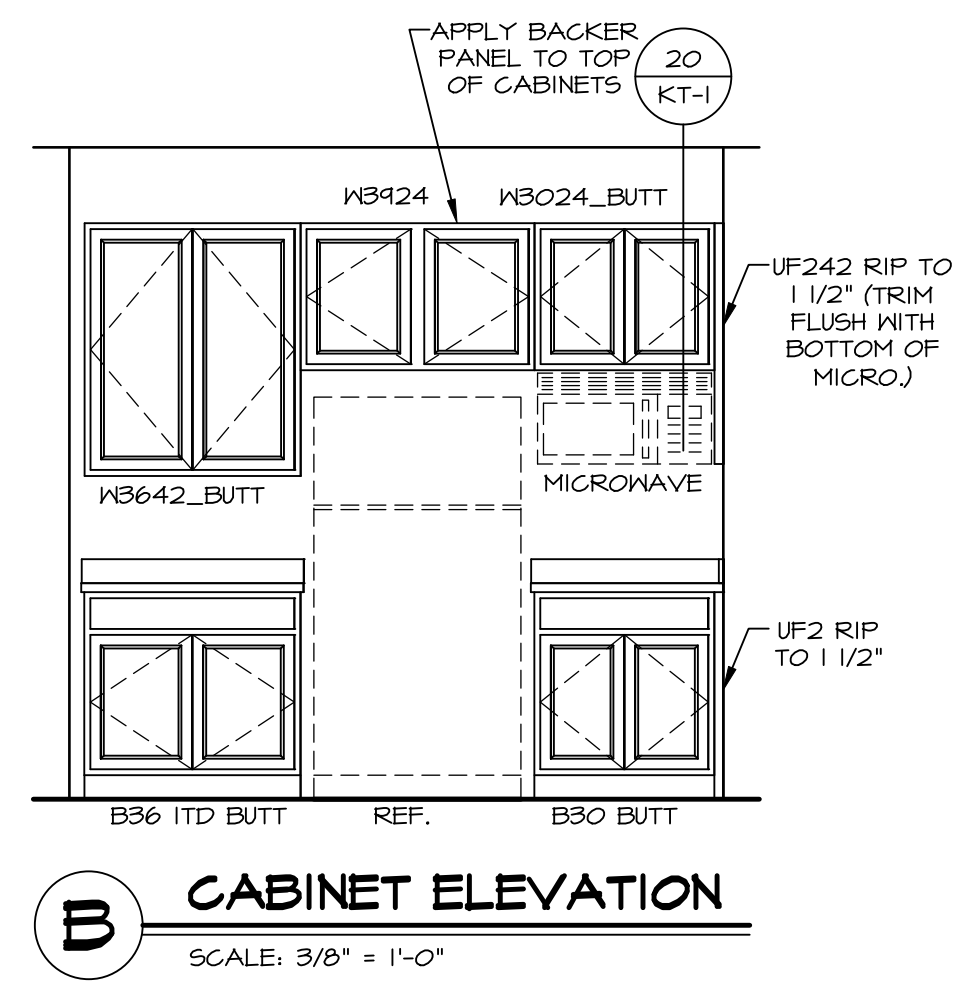
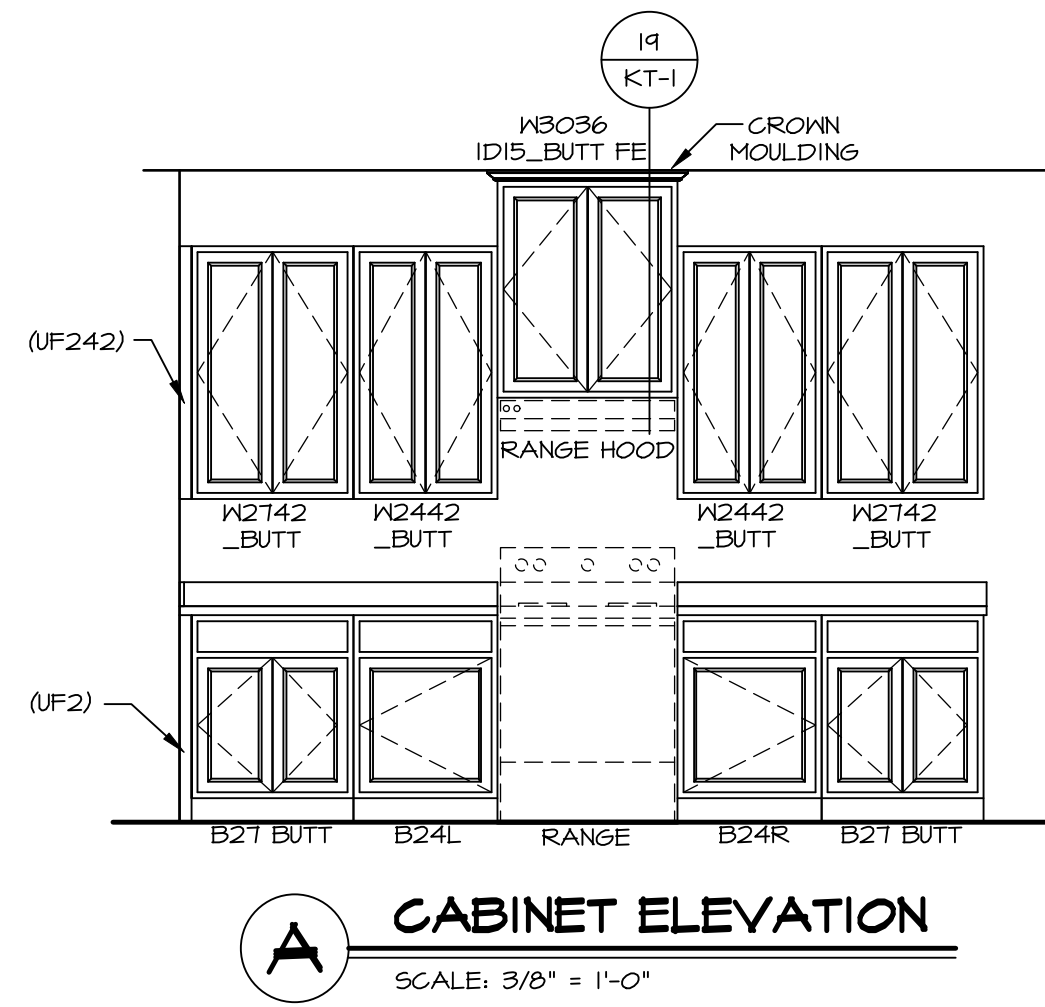
SET NO. LGH00
VERSION 01
DRAWN BY
DATE:
OPTION

MODEL
LEHIGH
DRAWING TITLE
SECOND FLOOR PLAN

SHEET NO.
A-8
33

C:\NVR\Solives\LEHIGH_LGH00_01\DCY-YR-S15\2691228\Sheets\Lot_Specific\3.5_A-8_PLN2_LS.dwg 11/15/22 - 3:51 PM

- NOTES:**
1. CABINET LAYOUT (S) ARE BASED ON FINISHED DIMENSIONS TO DRYWALL.
 2. IF KITCHEN PLANS/ELEVATIONS CALL-OUT STANDARD MOLDINGS, REFER TO STANDARD DETAIL (U/KT-1) FOR REPLACEMENT BASED ON CABINET STYLE.
 3. ALL (UF) FILLERS ARE TO BE "TRIM TO FIT" UNLESS OTHERWISE NOTED.
 4. CABINET MUST BE SET, SHIMMED, LEVELED AND FLUSH W/ ADJOINING BASE CABINETS.
 5. SET PRE-FINISHED SCRIBE MOLDING AT CABINET BULKHEADS AND AT ENDS (WHERE CABINETS MEET DRYWALL.) PRE-FINISHED SCRIBE MOLDING SHALL BE USED TO PAD OUT CABINET SIDES AT STILE FOR RETURN PIECES OF THE FACE-MOUNTED CABINET CROWN MOLDING.
 6. HARDWARE INSTALL NOTE: KNOBS GO ON DOORS AND DRAWERS FOR ALL AREAS. ALL DRAWER FRONTS AND DOORS GET (I) KNOB/PULL. NO HARDWARE ON FALSE DRAWER FRONTS.



3 LAUNDRY CABINET PLAN / KC - 3503
SCALE: 3/8" = 1'-0"

E CABINET ELEVATION
SCALE: 3/8" = 1'-0"

2 COUNTERTOP LAYOUT KC-350(TC)
SCALE: 3/8" = 1'-0"
KITCHEN APPLIANCE LAYOUT W/ RANGE (TC) "KAI"

1 CABINET LAYOUT KC-350(TC)
SCALE: 3/8" = 1'-0"
KITCHEN APPLIANCE LAYOUT W/ RANGE (TC) "KAI"

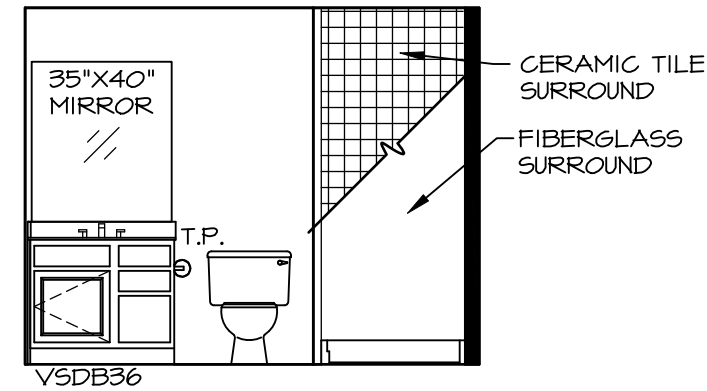
DIV-COMM-LOT-UNIT
DCY-VR-S115
COM-LOT
VLS5 OF WINDING CREEK MONT CO - S115
STREET ADDRESS
1100 ELK CREEK DR
CITY CENTERVILLE OH STATE OH ZIP 45458

NVR, Inc. expressly reserves its copyright and other property rights in these plans. These plans are not to be copied, reproduced, or otherwise used in any form or manner without the prior written consent of NVR, Inc.

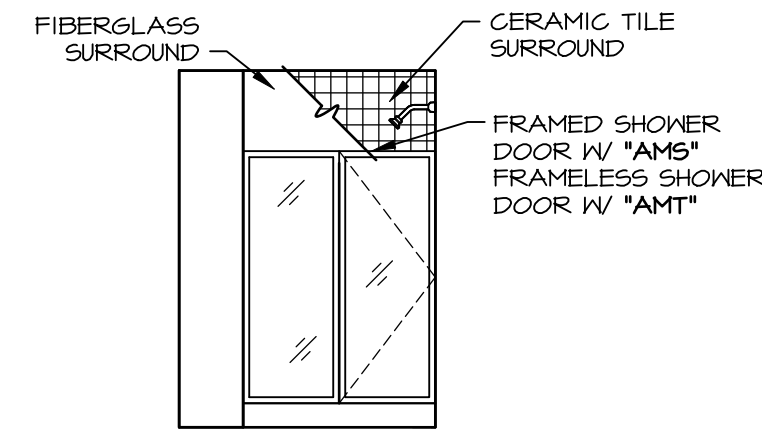
NVR
NVR, Inc., Suite 100
5285 Westwick, Frederick, MD 21703

SET NO. LGHOOD
VERSION 01
DRAWN BY
DATE:
OPTION

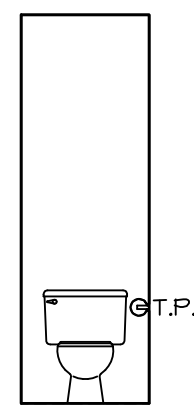
SHEET NO. **A-12**
MODEL **LEHIGH**
DRAWING TITLE **KITCHEN CABINET PLANS AND ELEVATIONS**
OPTION DESCRIPTION
54



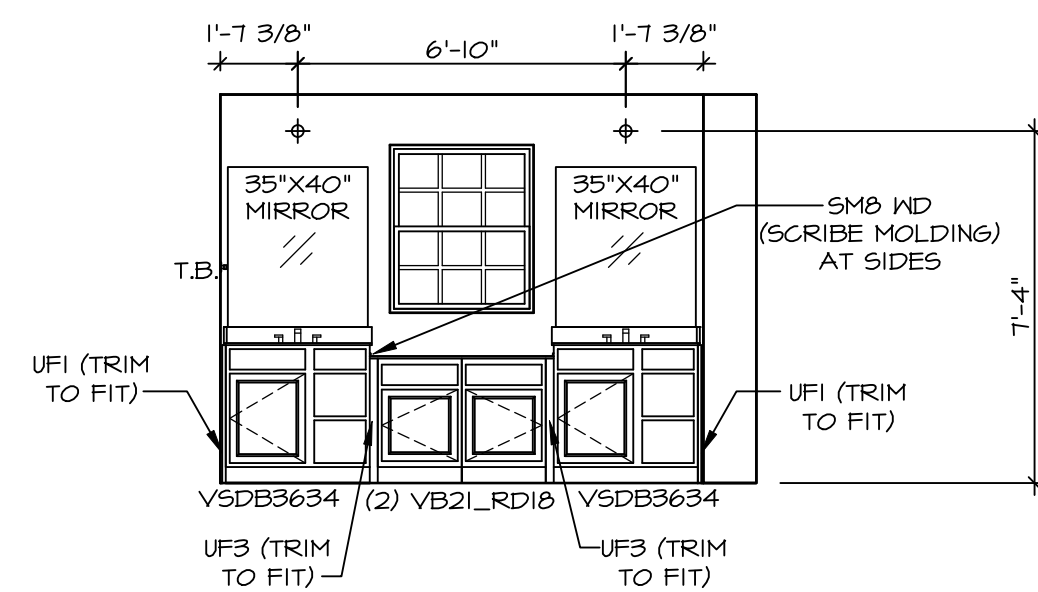
A **BSMT BATH "AEB"**
SCALE: 1/4" = 1'-0"



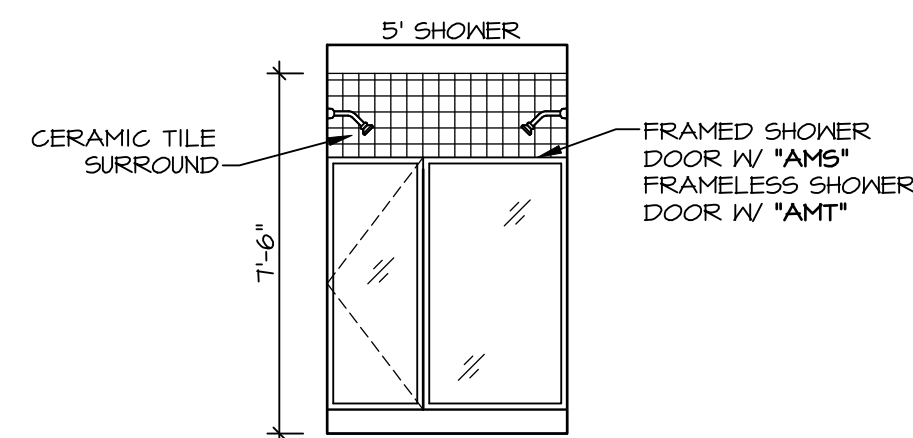
B **BSMT BATH "AEB"**
SCALE: 1/4" = 1'-0"



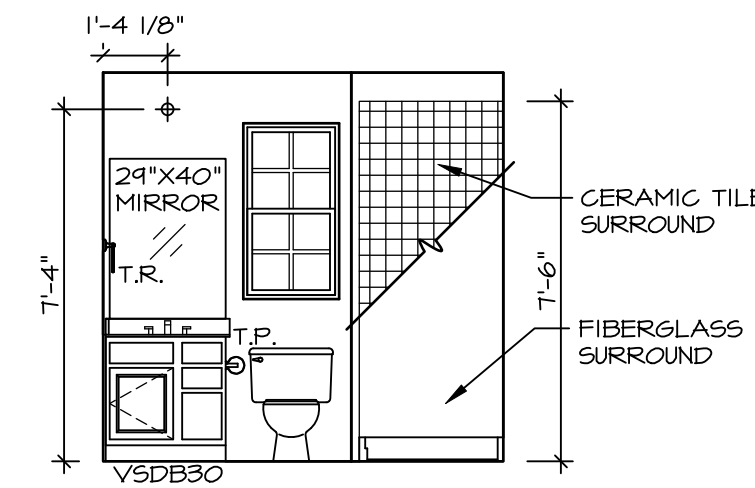
H **OWNERS BATH**
SCALE: 1/4" = 1'-0"



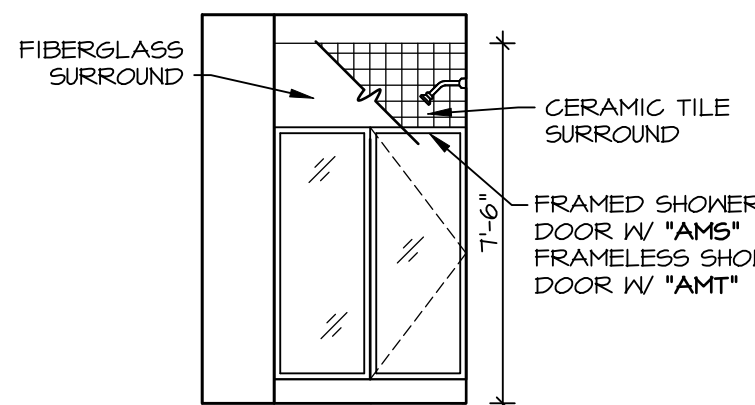
L **OWNERS BATH**
SCALE: 1/4" = 1'-0" OWNER'S BATHROOM
ROMAN SHOWER
"AMG"



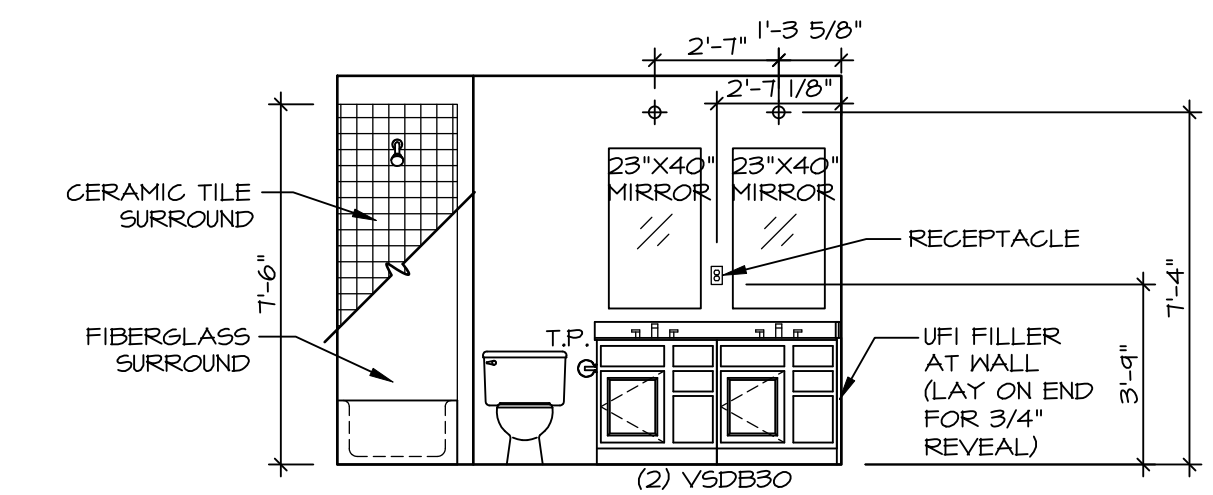
M **OWNERS BATH**
SCALE: 1/4" = 1'-0" OWNER'S BATHROOM
ROMAN SHOWER
"AMG"



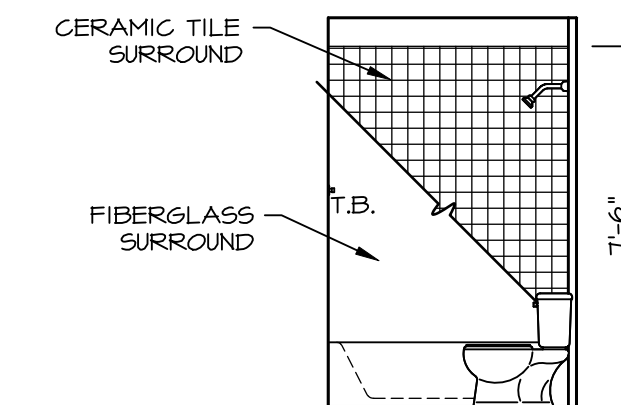
D **FIRST FLOOR BATH**
SCALE: 1/4" = 1'-0"



E **FIRST FLOOR BATH**
SCALE: 1/4" = 1'-0"



F **BATH #1**
SCALE: 1/4" = 1'-0" NEW LIGHT/MIRROR LAYOUT DBL
VANITY "AFE"



G **BATH #1**
SCALE: 1/4" = 1'-0"

- NOTES:**
- TEMPERED GLASS SHOWER ENCLOSURE WITH SLIDING DOOR OR OPTIONAL SLIDING DOOR BY DIVISION
 - TUB ACCESS PANELS PROVIDED AS NEEDED, ALL MATERIALS BY DIVISION
 - REFER TO SHEET IT-2 FOR TUB AND SHOWER DETAILS.
 - ALL V5DB24-42 DRAWERS TO BE SET ON RIGHT HAND.
 - ALL BATH ELEVATIONS ARE SHOWN PER PLAN.

SHEET NO. A-13	MODEL LEHIGH	DRAWING TITLE BATH ELEVATIONS	OPTION DESCRIPTION	57	DIV-COMM-LOT-UNIT DCY-YR-S115	COM-LOT VL65 OF WINDING CREEK MONT CO - S115	STREET ADDRESS 1100 ELK CREEK DR	APT. NO. ----	STATE OH	ZIP 45459
						SET NO. LGH00	VERSION 01	DRAWN BY	DATE:	OPTION

NVR
NVR, Inc., Suite 100
5285 Westwick, Frederick, MD 21703

C:\NVR\Solves\LEHIGH_LGH00_01\DCY-YR-S115\2691228\Sheet\Lot_Specific\57_A-13_BATH_LS.dwg 11/15/22 - 3:51 pm