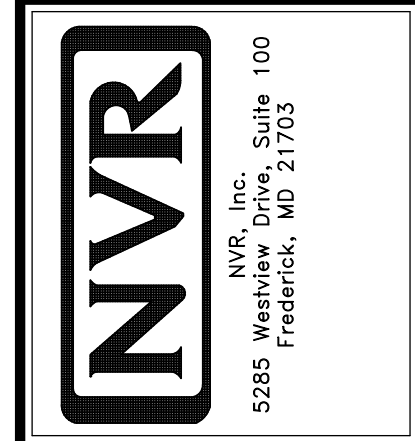


1
A-5 **PLUMBING PLAN**
SCALE: 1/4" = 1'-0"

NOTE
 RADON REMEDIATION
 RADON LOOP:
 - (4") PERFORATED HDPE "LOOP"
 - MUST BE PLACED IN STONE BED SLIGHTLY HIGHER THAN ANY INTERIOR DRAINTILE
 - LOOP TO BE SEPARATE FROM ANY DRAINTILE ELEMENTS
 - TO BE CORRUGATED HDPE PIPE
 - SCREENS TO BE INSTALLED THROUGH LOOP AT TEE UP INTO STACK
 STACK REQUIREMENTS:
 - 3" PVC STACK (4" IF BASEMENT IS GREATER THAN 2200 SQFT)
 - NO PART OF STACK IS TO BE HORIZONTAL
 - PIPE TO BE PHYSICALLY LABELED IN THE FIELD AS "RADON VENT" OR OTHER JURISDICTIONALLY REQUIRED LANGUAGE (ON EVERY LEVEL OF HOUSE)
 - ROOF TERMINATION TO BE IN TOP 1/3 OF ROOF
 - SCREEN INSTALLED TO KEEP PESTS OUT OF RADON VENT AT ROOF TERMINATION

SHEET NO. A-5	NOBEL LEHIGH DRAWING TITLE PLUMBING PLAN	SET NO. LGHO0 VERSION 01 DRAWN BY DATE: OPTION
25	OPTION DESCRIPTION	



© NVR, Inc. expressly reserves its copyright and other property rights in these plans. These plans are not to be reproduced, stored in a retrieval system, copied in any form or manner whatsoever, nor are they to be used for any project without the written consent of NVR, Inc.

DIV-COMM-LOT-UNIT DCY-YR-S117	
COMM-LOT VLS5 OF WINDING CREEK MONT CO - S117	APT. NO. ----
STREET ADDRESS 1044 FAIRMATER SPRINGS DR	CITY STATE ZIP CENTERVILLE OH 45459

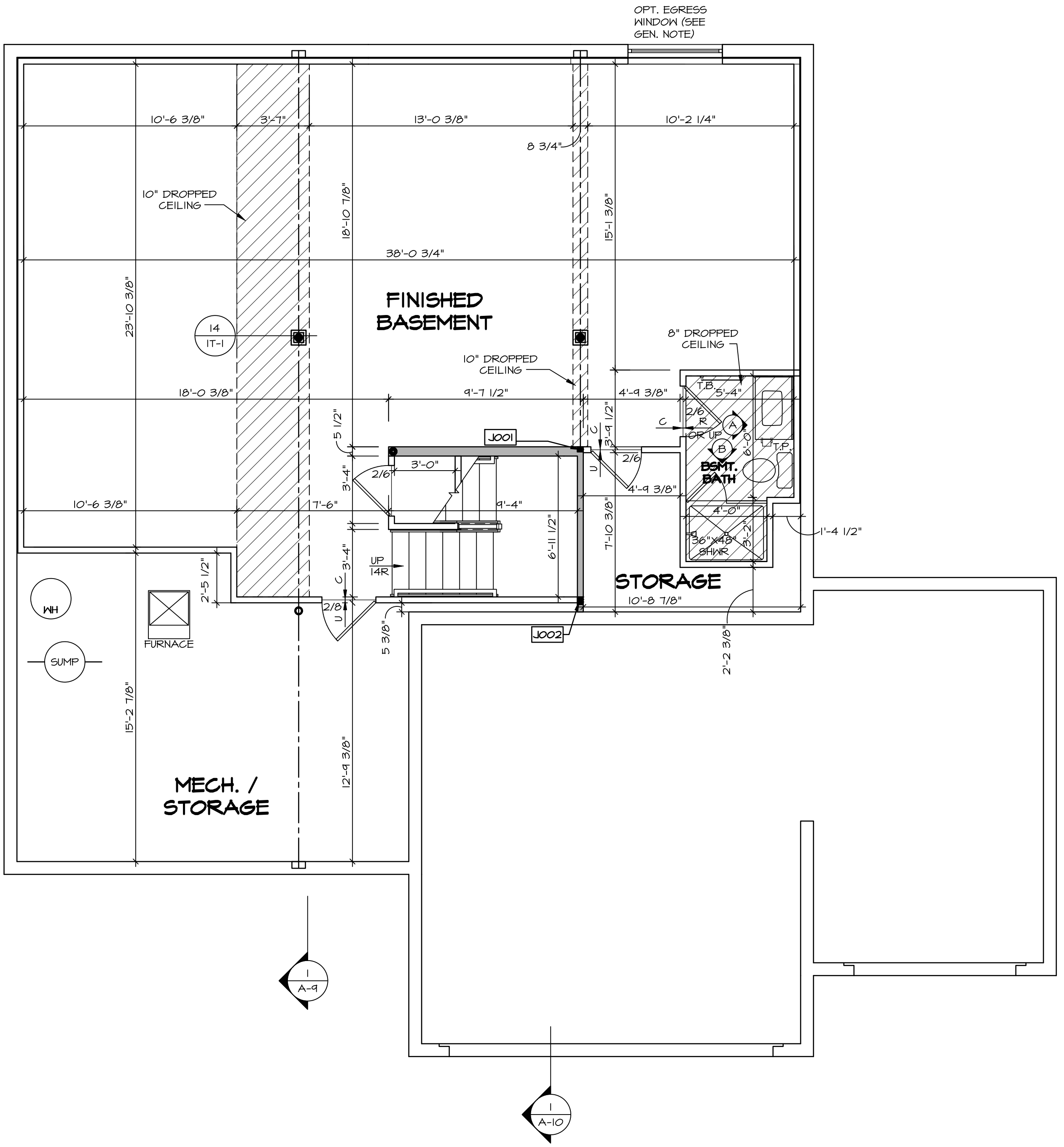
LEGEND	
	BEARING WALL
	NON BEARING WALL
	INDICATES BEARING FROM POINT-LOAD ABOVE
	JACKS
	BEAM/HEADER
	FOOTING/THICKENED SLAB
	STEEL COLUMN
	TRUSS TIE DOWN
	PORTAL FRAME
	JOIST/TRUSS
	LVL
	ENGINEERING PAGE NUMBER

- FLOOR PLAN NOTES**
- ALL HEADERS ARE (2) 2x6 w/ 2x4 WALLS OR (3) 2x6 w/ 2x6 WALLS, UNLESS OTHERWISE NOTED.
 - ALL HEADERS TO HAVE (1) 2x4 OR 2x6 JACK AND KING STUD EACH END, UNLESS OTHERWISE NOTED.
 - ALL EXTERIOR WALLS TO BE 4" w/ OSB OR 3 1/2" w/ LAMINATED FIBROUS STRUCTURAL SHEATHING, ALL INTERIOR WALLS TO BE 3 1/2" UNLESS OTHERWISE NOTED.
 - HATCHED AREAS INDICATE DROPPED CEILINGS. ALL DROPPED CEILINGS ARE 12" UNLESS OTHERWISE NOTED.
 - SEE "BRACED WALL PANEL DETAIL SHEET" FOR SPECIAL WALL FRAMING LOCATIONS AND HEADER SIZES, IF APPLICABLE.
 - SEE STANDARD DETAIL CATEGORY "IT" SHEET(S) FOR INTERIOR TRIM DETAILS.
 - SEE ARCHITECTURAL DETAIL SHEET "AD" FOR HOUSE SPECIFIC INTERIOR TRIM OPTION TABLE.
 - ALL WINDOWS HAVE 1"-0 1/2" HEADER HEIGHT UNLESS OTHERWISE NOTED.
 - ALL HEADERS IN NON-BEARING WALLS SHALL BE A SINGLE FLAT 2x4 OR 2x6 ATTACHED TO CRIPPLES ABOVE, UNLESS OTHERWISE NOTED.
 - TANKED WATER HEATER SHOWN AS BASE CONDITION, OPTIONAL TANKLESS WATER HEATER IS AVAILABLE IN LIEU OF TANKED WATER HEATER.

- GYPSUM NOTES**
- AT GARAGE:
GYPSUM BOARD AT COMMON WALLS, CEILINGS, BEAM WRAPS AND SUPPORTS PER STANDARD DETAIL FA-1(b) FIRE ASSEMBLIES OR AS REQUIRED BY LOCAL CODE.
- AT STAIRS:
1/2" GYPSUM BOARD AT UNDERSIDE OF STAIRS AND WALLS IN CLOSET

BASEMENT JACK SCHEDULE

IDENTIFIER	DESCRIPTION	OPTIONS	ENG. NUM.	REMARKS
J001	JACK - (2) 2X4 SPF STUD GRADE		B0004, B0015	
J002	JACK - (3) 2X4 SPF STUD GRADE		B0007	



BASEMENT FLOOR PLAN
SCALE: 1/4" = 1'-0"

DCY-YR-S117

DIV-COMM-LOT-UNIT
COM-LOT
V/LSS OF MINDING CREEK MONT CO - S117
STREET ADDRESS
1044 FAIRWATER SPRINGS DR
CITY STATE ZIP
CENTERVILLE OH 45458

© NVR, Inc. expressly reserves its copyright and other proprietary rights in these plans. These plans are not to be reproduced, stored in a retrieval system, or copied in any form or manner whatsoever, nor are they to be used for any project without the prior written consent of NVR, Inc.

NVR
NVR, Inc., Suite 100
5285 Westwick, Frederick, MD 21703

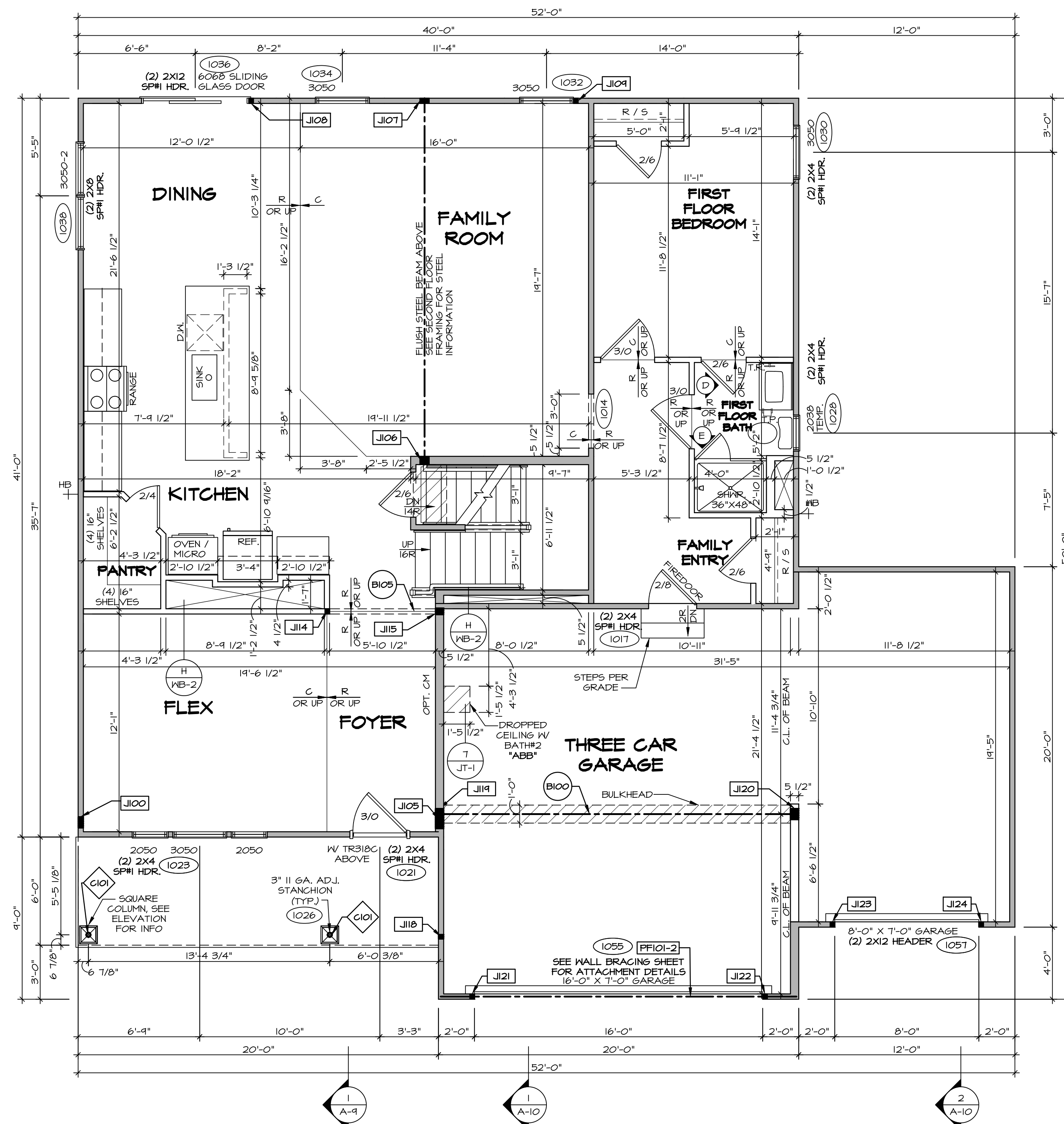
SET NO. LGH00
VERSION 01
DRAWN BY
DATE:
OPTION

LEHIGH
DRAWING TITLE
BASEMENT FLOOR PLAN
OPTION DESCRIPTION

A-6

28

C:\NVR\Solmes\LEHIGH_LGH00_01\DCY-YR-S117\258582A Sheets\Lot_Specific\28_A-6_BSMT_LS.dwg 05/10/22 - 2:50 am



FIRST FLOOR PLAN
SCALE: 1/4" = 1'-0"

FLOOR PLAN NOTES

- ALL HEADERS ARE (2) 2x6 w/ 2x4 WALLS OR (3) 2x6 w/ 2x6 WALLS, UNLESS OTHERWISE NOTED.
- ALL HEADERS TO HAVE (1) 2x4 OR 2x6 JACK AND KING STUD EACH END, UNLESS OTHERWISE NOTED.
- ALL EXTERIOR WALLS TO BE 4" w/ OSB OR 3 1/2" w/ LAMINATED FIBROUS STRUCTURAL SHEATHING, ALL INTERIOR WALLS TO BE 3 1/2", UNLESS OTHERWISE NOTED.
- HATCHED AREAS INDICATE DROPPED CEILINGS. ALL DROPPED CEILINGS ARE 12' UNLESS OTHERWISE NOTED.
- SEE 'BRACED WALL PANEL DETAIL SHEET' FOR SPECIAL WALL FRAMING LOCATIONS AND HEADER SIZES, IF APPLICABLE.
- SEE STANDARD DETAIL CATEGORY 'IT' SHEET(S) FOR INTERIOR TRIM DETAILS.
- SEE ARCHITECTURAL DETAIL SHEET 'AD' FOR HOUSE SPECIFIC INTERIOR TRIM OPTION TABLE.
- ALL WINDOWS HAVE T-O 1/2" HEADER HEIGHT UNLESS OTHERWISE NOTED.
- ALL HEADERS IN NON-BEARING WALLS SHALL BE A SINGLE FLAT 2x4 OR 2x6 ATTACHED TO CRIPPLES ABOVE, UNLESS OTHERWISE NOTED.
- TANKED WATER HEATER SHOWN AS BASE CONDITION, OPTIONAL TANKLESS WATER HEATER IS AVAILABLE IN LIEU OF TANKED WATER HEATER.

GYPSTUM NOTES

- AT GARAGE:**
GYPSTUM BOARD AT COMMON WALLS, CEILING, BEAM WRAPS AND SUPPORTS PER STANDARD DETAIL FA-1(b) FIRE ASSEMBLIES OR AS REQUIRED BY LOCAL CODE.
- AT STAIRS:**
1/2" GYPSTUM BOARD AT UNDERSIDE OF STAIRS AND WALLS IN CLOSET

LEGEND

- BEARING WALL
- NON BEARING WALL
- INDICATES BEARING FROM POINT-LOAD ABOVE
- JACKS
- BEAM/HEADER
- FOOTING/THICKENED SLAB
- STEEL COLUMN
- TRUSS TIE DOWN
- PORTAL FRAME
- JOIST/TRUSS
- LVL
- ENGINEERING PAGE NUMBER

FIRST FLOOR JACK SCHEDULE

IDENTIFIER	DESCRIPTION	OPTIONS	ENG. NUM.
J100	JACK - (5) 2X4 SFF#		2000
J105	JACK - (4) 2X6 SFF STUD GRADE	ELL	2000
J106	JACK - (4) 2X6 SFF STUD GRADE		1016
J107	JACK - (4) 2X4 SFF STUD GRADE		1016
J108	JACK - (2) 2X4 SFF STUD GRADE		1036
J109	JACK - (2) 2X4 SFF STUD GRADE		1032
J114	JACK - (2) 2X4 SFF STUD GRADE		1073
J115	JACK - (5) 2X6 SFF STUD GRADE		1073
J118	JACK - (2) 2X4 SFF STUD GRADE		1026
J119	JACK - (5) 2X6 SFF#	SXC	1044, 1044
J120	JACK - (5) 2X6 SFF STUD GRADE	GCB, GCF	1044, 1044
J121	JACK - (2) 2X4 SFF STUD GRADE	GCB, GCF	1055
J122	JACK - (2) 2X4 SFF STUD GRADE	GCB, GCF	1055
J123	JACK - (2) 2X4 SFF STUD GRADE	GCF	1057
J124	JACK - (2) 2X4 SFF STUD GRADE	GCF	1057

LVL PLY TO PLY FASTENING SCHEDULE: (WHERE APPLICABLE BASED ON LVL USAGE)

- 1.A - (2) PLY UP TO AND INCLUDING 11 7/8" TALL; FASTEN PLYS W/ (2) ROWS 16D NAILS AT 12" O.C. OR ALT 1 1/2" WIDE LVL FASTEN PLYS W/ (3) ROWS 12D NAILS AT 12" O.C.
- 2.A - (2) PLY 14" TO AND 18" TALL (INCLUSIVE); FASTEN PLYS W/ (3) ROWS 16D NAILS AT 12" O.C. OR ALT 1 1/2" WIDE LVL FASTEN PLYS W/ (4) ROWS 12D NAILS AT 12" O.C.
- 3.A - (2) PLY 20" TALL AND OVER; FASTEN PLYS W/ (4) ROWS 16D NAILS AT 12" O.C. OR ALT 1 1/2" WIDE LVL FASTEN PLYS W/ (5) ROWS 12D NAILS AT 12" O.C.
- 4.A - (3) PLY UP TO AND INCLUDING 11 7/8" TALL; FASTEN PLYS W/ (2) ROWS 16D NAILS AT 12" O.C. FROM EACH SIDE OR ALT 1 1/2" WIDE LVL FASTEN PLYS W/ (3) ROWS 12D NAILS AT 12" O.C. FROM EACH SIDE.
- 5.A - (3) PLY 14" TO AND 18" TALL (INCLUSIVE); FASTEN PLYS W/ (3) ROWS 16D NAILS AT 12" O.C. FROM EACH SIDE OR ALT 1 1/2" WIDE LVL FASTEN PLYS W/ (4) ROWS 12D NAILS AT 12" O.C. FROM EACH SIDE.
- 6.A - (3) PLY 20" TALL AND OVER; FASTEN PLYS W/ (4) ROWS 16D NAILS AT 12" O.C. FROM EACH SIDE OR ALT 1 1/2" WIDE LVL FASTEN PLYS W/ (5) ROWS 12D NAILS AT 12" O.C. FROM EACH SIDE.
- 7.A - (4) PLY (ALL SIZES); FASTEN PLYS W/ (2) ROWS 1/2" DIAMETER A307 BOLTS AT 24" O.C. SEE SHOP DRAWING FOR ADDITIONAL INFORMATION.

FIELD INSTALLED FIRST FLOOR BEAM/HEADER SCHEDULE

IDENTIFIER	DESCRIPTION	LENGTH	OPTIONS	ENG. NUM.	REMARKS
B100	BEAM STEEL - W12X35	20'-1 1/2"	SXC	1044, 1044	
B105	INT HEADER - 2X8 - 2 PLY	6'-1"		1073	
FF101-2	LVL 1.75 - 11-04	19'-9"	GCB, GCF	1055	2-PLY, 1A, PORTAL FRAME

STEEL COLUMN SCHEDULE

IDENTIFIER	STYLE	HEIGHT	OPTIONS	ENG. NUM.	REMARKS
C101	STANCHION PORCH - 3 IN DIA 16GA ADJ	8'-8 5/8"		1026	

DIV-COMM-LOT-UNIT
DCY-VR-S117

COM-LOT
V165 OF NINDING CREEK MONT CO - S117

STREET ADDRESS
1049 FAIRMATER SPRINGS DR

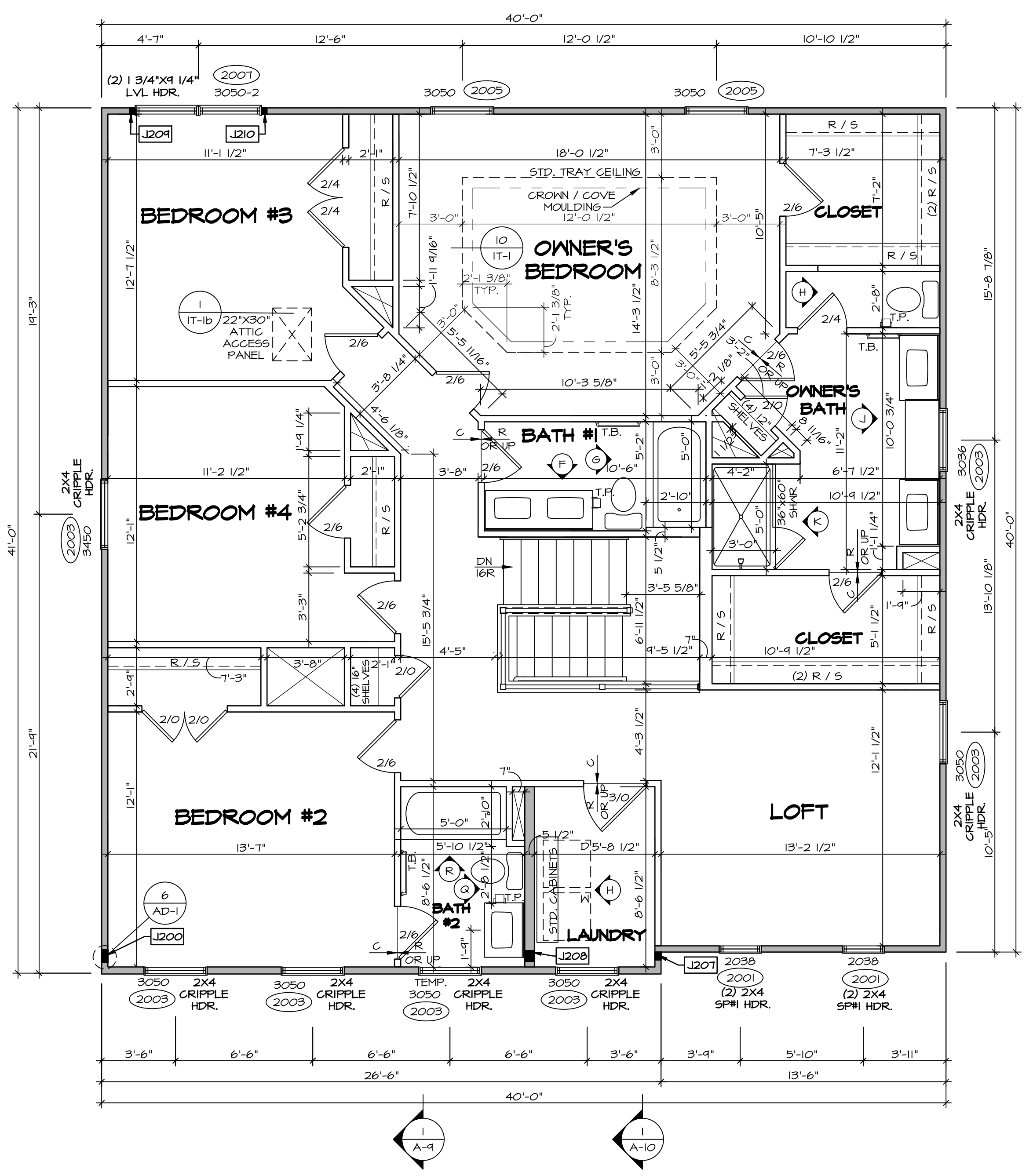
CITY STATE OH
CENTERVILLE OH

ZIP
45458

NVR
NVR, Inc. 100
5285 Westwood, Suite 100
Frederick, MD 21703

SET NO. LGH00
VERSION 01
DRAWN BY
DATE:
OPTION

SHEET NO.
A-7
NOBEL
LEHIGH
DRAWING TITLE
FIRST FLOOR PLAN
OPTION DESCRIPTION
30



SECOND FLOOR PLAN
SCALE: 1/4" = 1'-0"

LEGEND

[Symbol]	BEARING WALL
[Symbol]	NON BEARING WALL
[Symbol]	INDICATES BEARING FROM POINT-LOAD ABOVE
[Symbol]	JACKS
[Symbol]	BEAM/HEADER
[Symbol]	FOOTING/THICKENED SLAB
[Symbol]	STEEL COLUMN
[Symbol]	TRUSS TIE DOWN
[Symbol]	PORTAL FRAME
[Symbol]	JOIST/TRUSS
[Symbol]	LVL
[Symbol]	ENGINEERING PAGE NUMBER

-SEE EA DETAILS FOR FIRE ASSEMBLIES
-SEE EC DETAILS FOR FRAMING CONNECTORS

- FLOOR PLAN NOTES**
- ALL HEADERS ARE (2) 2x6 w/ 2x4 WALLS OR (3) 2x6 w/ 2x6 WALLS, UNLESS OTHERWISE NOTED.
 - ALL HEADERS TO HAVE (1) 2x4 OR 2x6 JACK AND KING STUD EACH END, UNLESS OTHERWISE NOTED.
 - ALL EXTERIOR WALLS TO BE 4" w/ OSB OR 3 1/2" w/ LAMINATED FIBROUS STRUCTURAL SHEATHING, ALL INTERIOR WALLS TO BE 5 1/2" UNLESS OTHERWISE NOTED.
 - HATCHED AREAS INDICATE DROPPED CEILING. ALL DROPPED CEILING ARE 12" UNLESS OTHERWISE NOTED.
 - SEE "BRACED WALL PANEL DETAIL SHEET" FOR SPECIAL WALL FRAMING LOCATIONS AND HEADER SIZES, IF APPLICABLE.
 - SEE STANDARD DETAIL CATEGORY "IT" SHEET(S) FOR INTERIOR TRIM DETAILS.
 - SEE ARCHITECTURAL DETAIL SHEET "AD" FOR HOUSE SPECIFIC INTERIOR TRIM OPTION TABLE.
 - ALL WINDOWS HAVE 1'-0 1/2" HEADER HEIGHT UNLESS OTHERWISE NOTED.
 - ALL HEADERS IN NON-BEARING WALLS SHALL BE A SINGLE FLAT 2x4 OR 2x6 ATTACHED TO CRIPPLES ABOVE, UNLESS OTHERWISE NOTED.
 - TANKED WATER HEATER SHOWN AS BASE CONDITION, OPTIONAL TANKLESS WATER HEATER IS AVAILABLE IN LIEU OF TANKED WATER HEATER.

- GYPSUM NOTES**
- AT GARAGE:
GYPSUM BOARD AT COMMON WALLS, CEILINGS, BEAM WRAPS AND SUPPORTS PER STANDARD DETAIL FA-(b) FIRE ASSEMBLIES OR AS REQUIRED BY LOCAL CODE.
- AT STAIRS:
1/2" GYPSUM BOARD AT UNDERSIDE OF STAIRS AND WALLS IN CLOSET

SECOND FLOOR JACK SCHEDULE

IDENTIFIER	DESCRIPTION	OPTIONS	ENG. NUM.	REMARKS
J200	JACK - (5) 2X4 SP#1		2000	1/8"X3 1/2"X1 1/2" STEEL BEARING PLATE, EXTEND THRU TOP PLATES
J207	JACK - (3) 2X4 SFF STUD GRADE	ELL	2000	
J208	JACK - (4) 2X6 SFF STUD GRADE	ELL	2000	EXTEND THRU TOP PLATE
J209	JACK - (2) 2X4 SFF STUD GRADE		2007	
J210	JACK - (2) 2X4 SFF STUD GRADE		2007	

DCY-YR-S117

DIV-COMM-LOT-UNIT
COM-LOT
VLS OF MINING CREEK MONT CO - S117
STREET ADDRESS
1049 FAIRWATER SPRINGS DR
CITY
CENTERVILLE
STATE
OH
ZIP
45458

© NVR, Inc., expressly reserves its copyright and other property rights in these plans. These plans are not to be reproduced, stored in a retrieval system, or copied in any form or manner whatsoever, nor are they to be used for any project without the prior written consent of NVR, Inc.

NVR
NVR, Inc., Suite 100
Frederick, MD 21703
5285 Westwick

SET NO. LGH00
VERSION 01
DRAWN BY
DATE:
OPTION

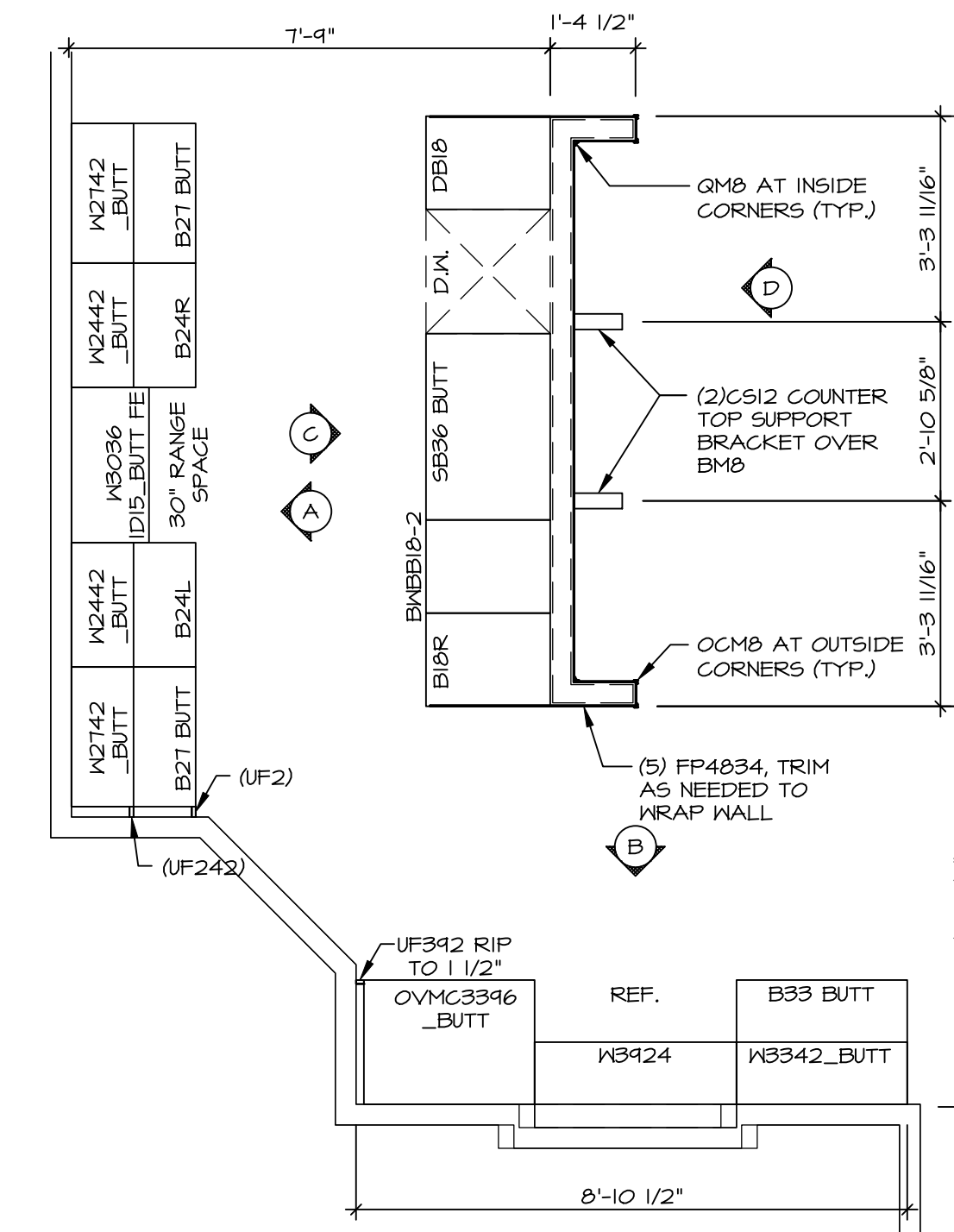
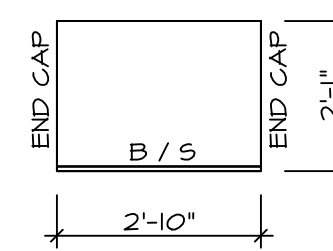
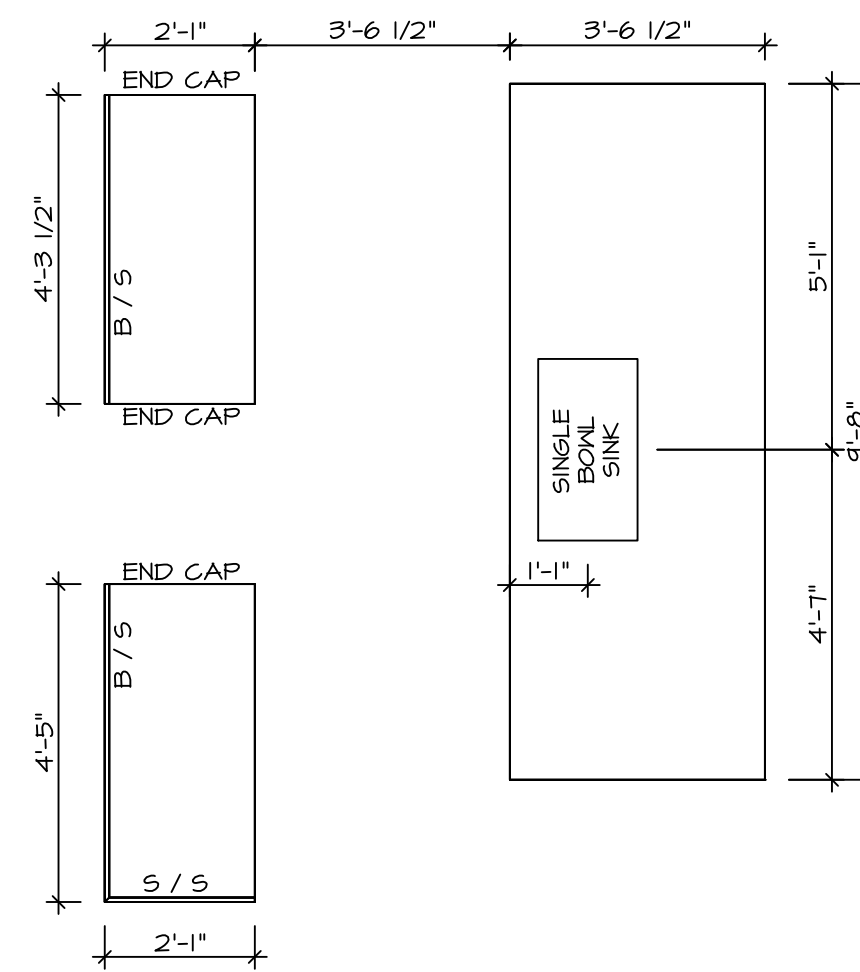
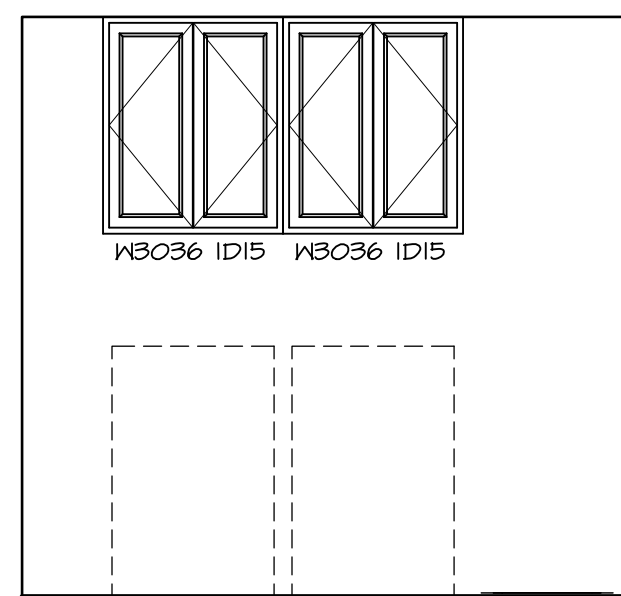
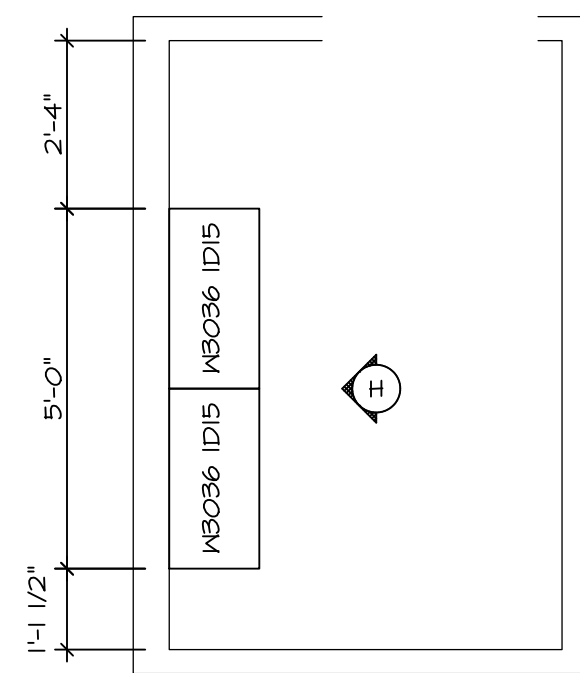
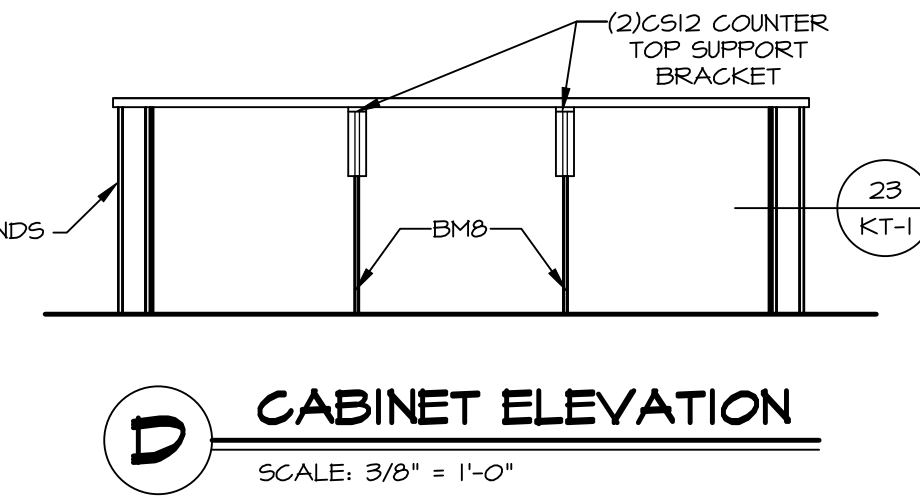
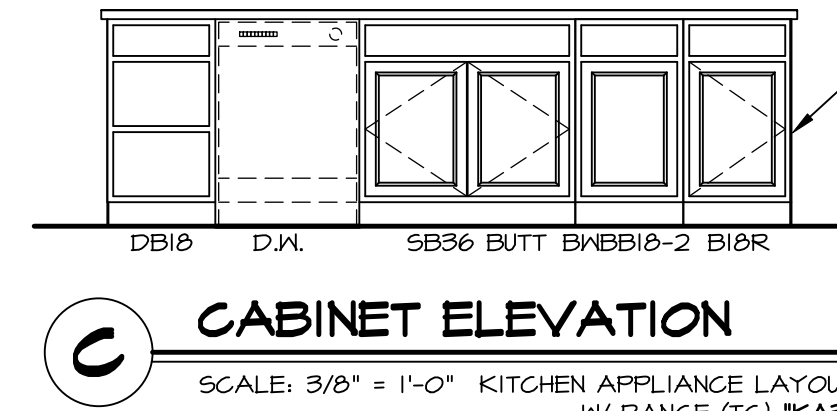
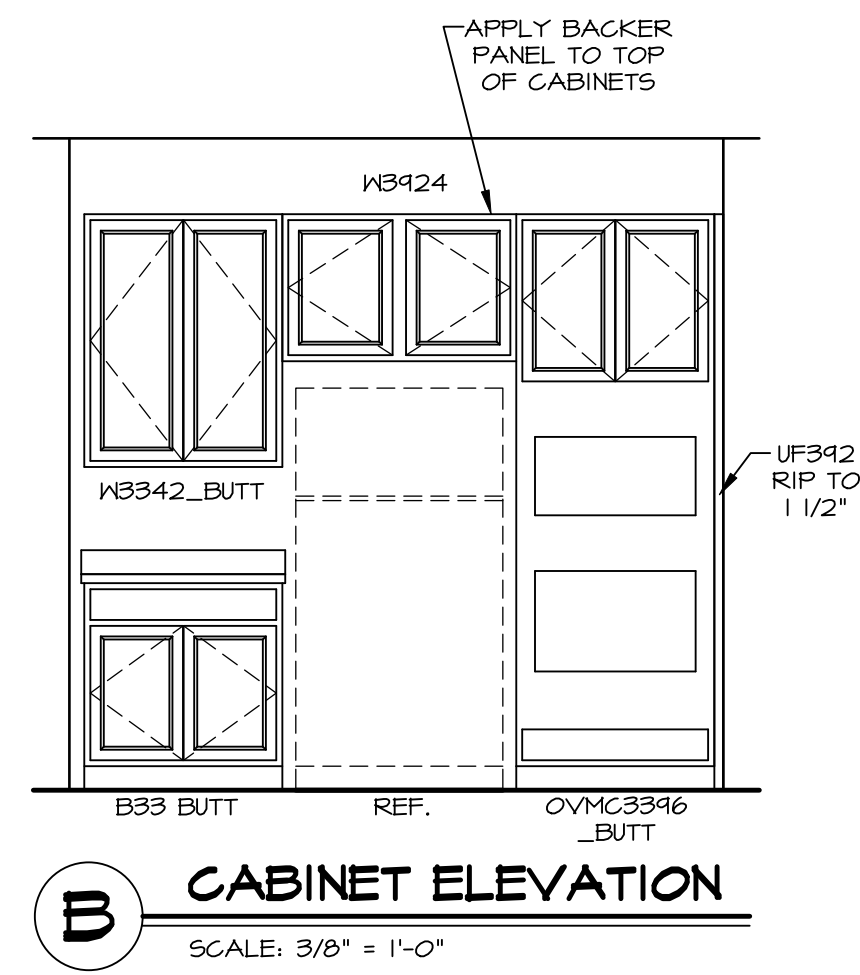
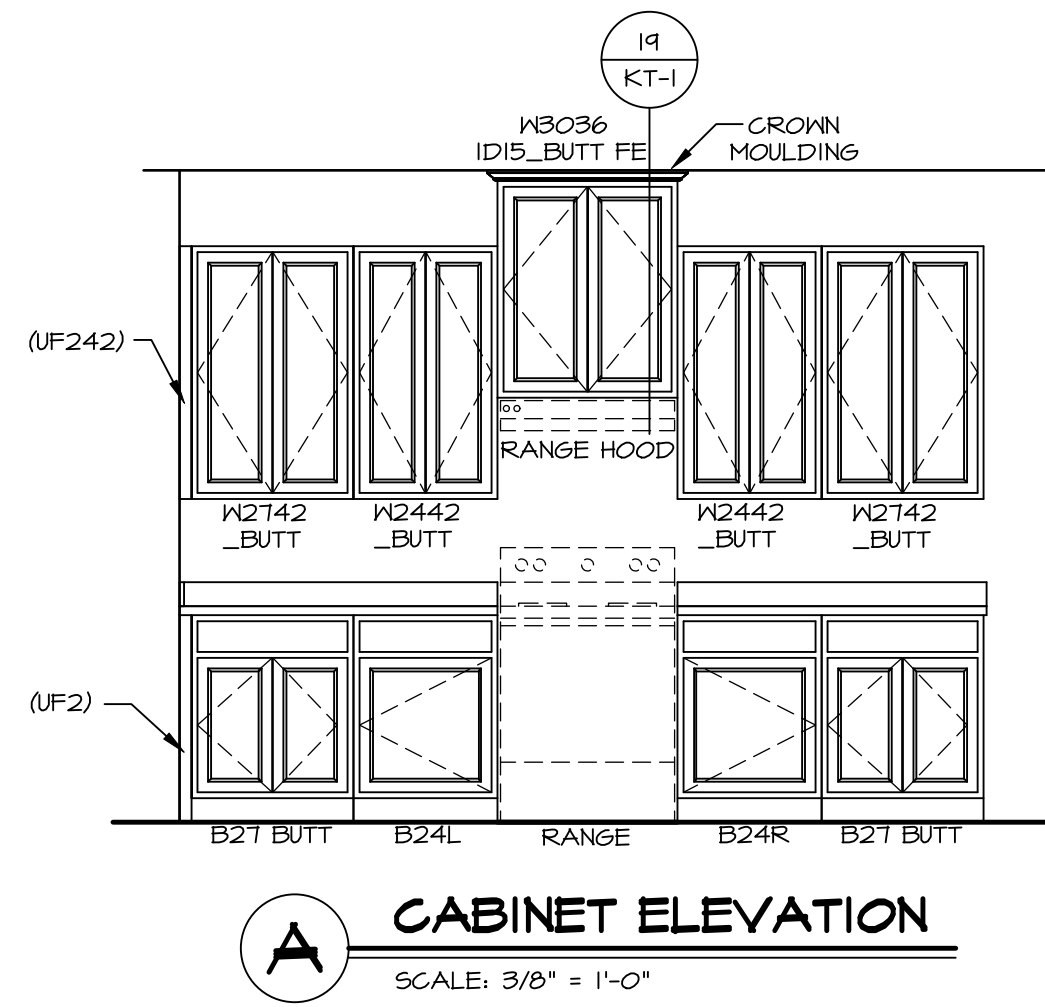
LEHIGH
DRAWING TITLE
SECOND FLOOR PLAN
OPTION DESCRIPTION

A-8

33

C:\NVR\Solves\LEHIGH_LGH00_01\DCY-YR-S117\258582A\Sheets\Lot_Specific\33_A-8_PLN2_LS.dwg 06/10/22 - 2:50 am

- NOTES:**
1. CABINET LAYOUT (S) ARE BASED ON FINISHED DIMENSIONS TO DRYWALL.
 2. IF KITCHEN PLANS/ELEVATIONS CALL-OUT STANDARD MOLDINGS, REFER TO STANDARD DETAIL (U/KT-1) FOR REPLACEMENT BASED ON CABINET STYLE.
 3. ALL (UF#) FILLERS ARE TO BE "TRIM TO FIT" UNLESS OTHERWISE NOTED.
 4. CABINET MUST BE SET, SHIMMED, LEVELED AND FLUSH W/ ADJOINING BASE CABINETS.
 5. SET PRE-FINISHED SCRIBE MOLDING AT CABINET BULKHEADS AND AT ENDS (WHERE CABINETS MEET DRYWALL.) PRE-FINISHED SCRIBE MOLDING SHALL BE USED TO PAD OUT CABINET SIDES AT STILE FOR RETURN PIECES OF THE FACE-MOUNTED CABINET CROWN MOULDING.
 6. HARDWARE INSTALL NOTE: KNOBS GO ON DOORS AND DRAWERS FOR ALL AREAS. ALL DRAWER FRONTS AND DOORS GET (I) KNOB/PULL. NO HARDWARE ON FALSE DRAWER FRONTS.



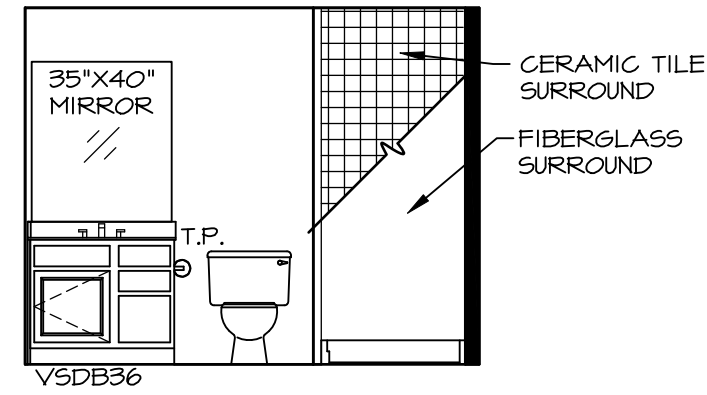
DIV-COMM-LOT-UNIT		DCY-YR-S117	
COM-LOT	COM-LOT	VLS5 OF WINDING CREEK MONT CO - S117	
STREET ADDRESS		1044 FAIRMATER SPRINGS DR	
CITY	STATE	ZIP	
CENTERVILLE	OH	45458	

NVR, Inc. expressly reserves its copyright and other property rights in these plans. These plans are not to be copied, reproduced, or otherwise used in any form or manner without the prior written consent of NVR, Inc.

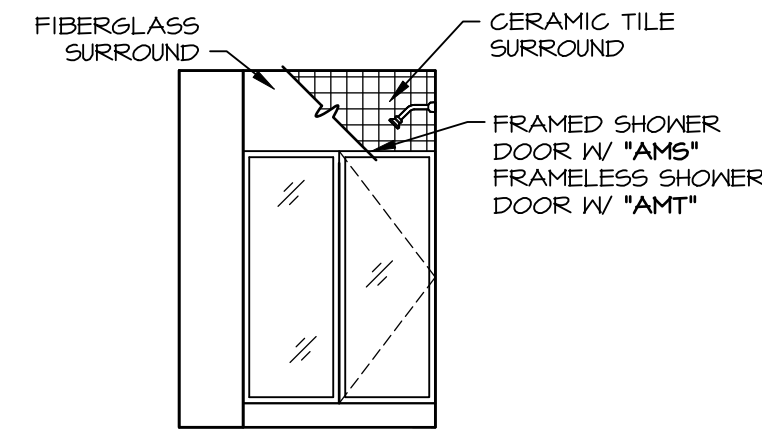
NVR
NVR, Inc., Suite 100
5285 Westwood, Frederick, MD 21703

SET NO.	LGHOO
VERSION	01
DRAWN BY	
DATE:	OPTION

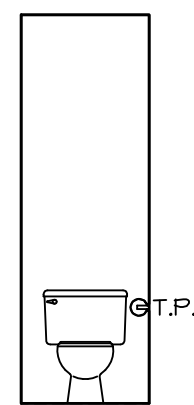
SHEET NO.	NOBEL LEHIGH
DRAWING TITLE	KITCHEN CABINET PLANS AND ELEVATIONS
OPTION DESCRIPTION	
A-12	54



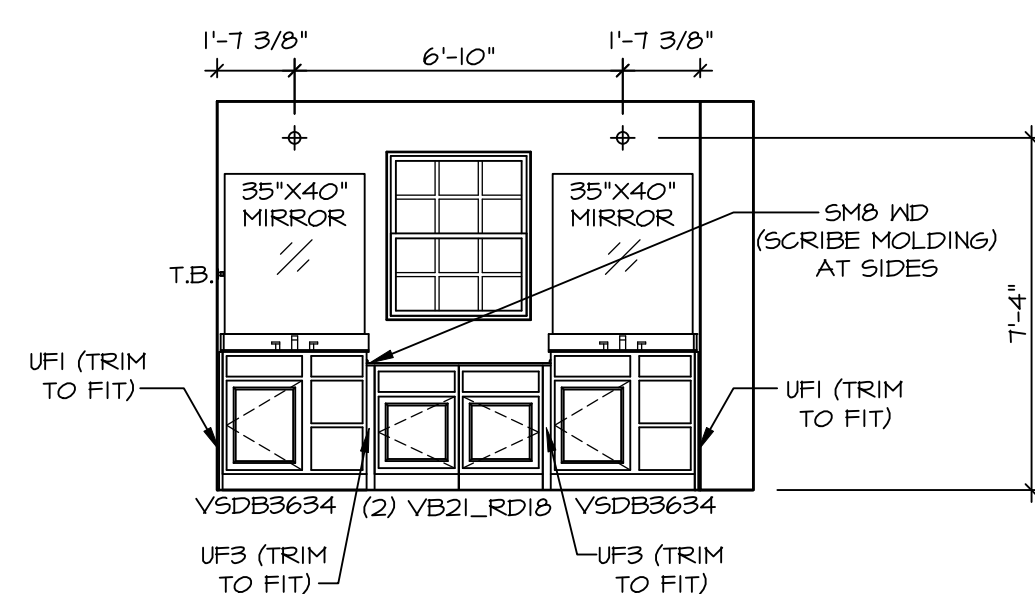
A BSMT BATH "AEB"
SCALE: 1/4" = 1'-0"



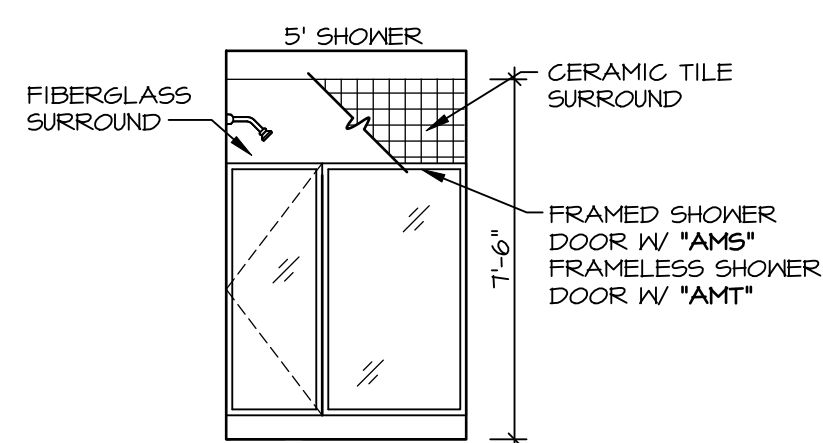
B BSMT BATH "AEB"
SCALE: 1/4" = 1'-0"



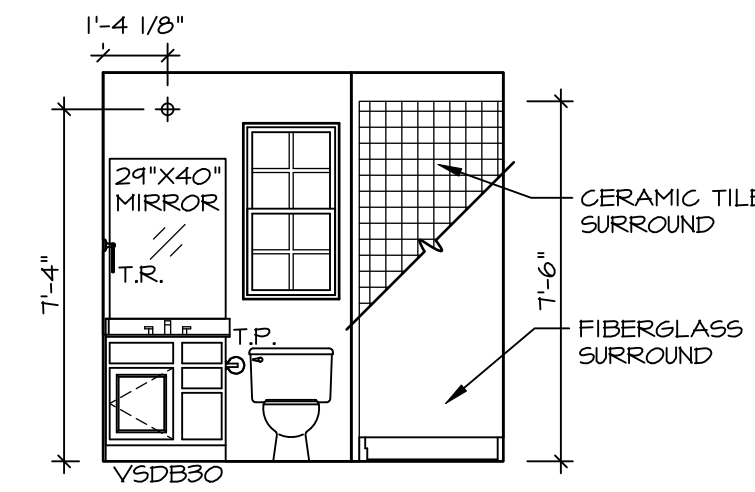
H OWNERS BATH
SCALE: 1/4" = 1'-0"



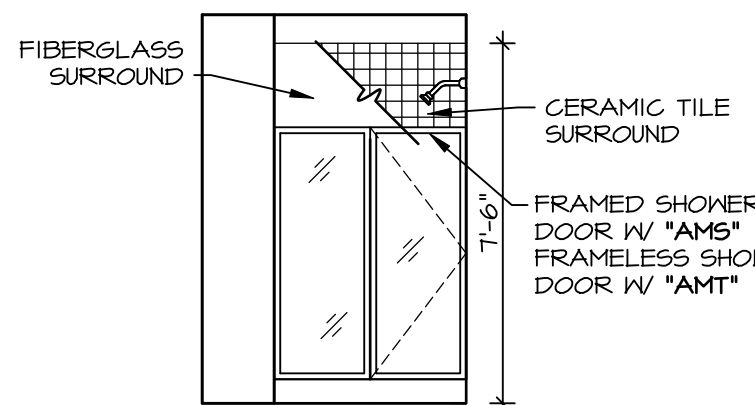
J OWNERS BATH
SCALE: 1/4" = 1'-0" OWNER'S BATHROOM SHOWER "AMA"



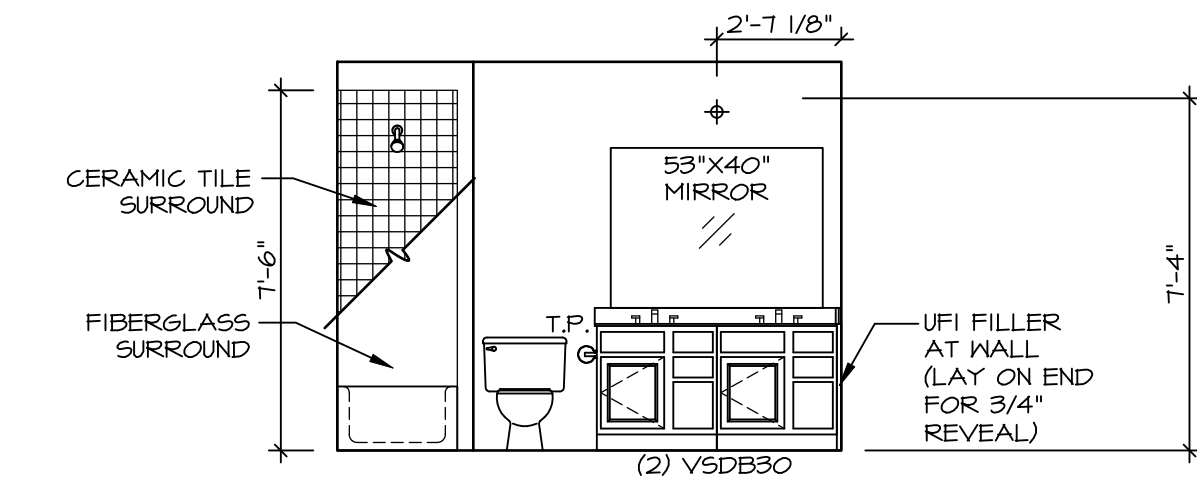
K OWNERS BATH
SCALE: 1/4" = 1'-0" OWNER'S BATHROOM SHOWER "AMA"



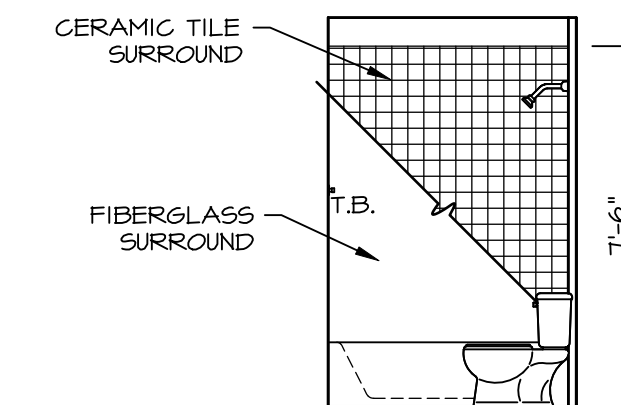
D FIRST FLOOR BATH
SCALE: 1/4" = 1'-0"



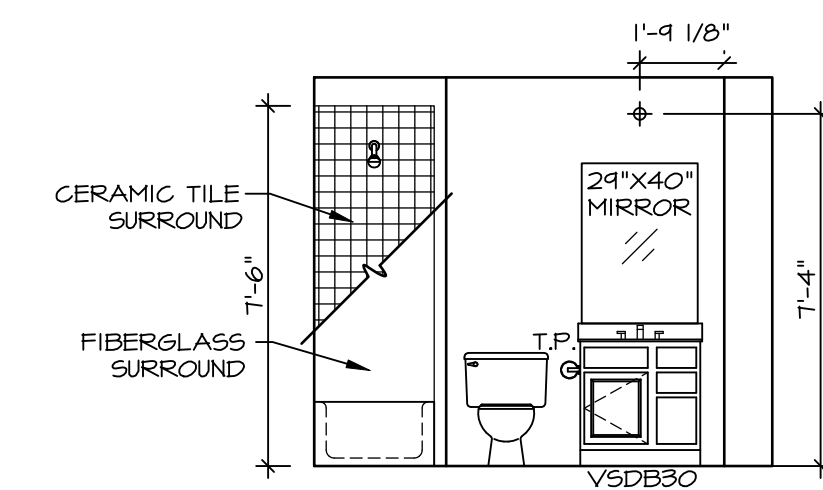
E FIRST FLOOR BATH
SCALE: 1/4" = 1'-0"



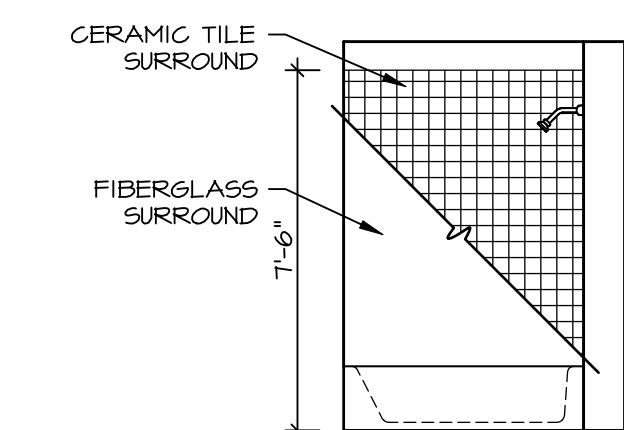
F BATH #1
SCALE: 1/4" = 1'-0" NEW LIGHT/MIRROR LAYOUT DBL VANITY "AFE"



G BATH #1
SCALE: 1/4" = 1'-0"



Q BATH #2
SCALE: 1/4" = 1'-0"



R BATH #2
SCALE: 1/4" = 1'-0"

NOTES:

- TEMPERED GLASS SHOWER ENCLOSURE WITH SLIDING DOOR OR OPTIONAL SLIDING DOOR BY DIVISION
- TUB ACCESS PANELS PROVIDED AS NEEDED, ALL MATERIALS BY DIVISION
- REFER TO SHEET IT-2 FOR TUB AND SHOWER DETAILS.
- ALL VSD24-42 DRAWERS TO BE SET ON RIGHT HAND.
- ALL BATH ELEVATIONS ARE SHOWN PER PLAN.

DIV-COMM-LOT-UNIT
DCY-YR-S117

COM-LOT
VLS5 OF KINNDING CREEK MONT CO - S117
STREET ADDRESS
1044 FAIRMATER SPRINGS DR
CITY STATE OH ZIP
CENTERVILLE OH 45458

NVR, Inc., expressly reserves its copyright and other property rights in these plans. These plans are not to be reproduced, stored in a retrieval system, or transmitted in any form or by any means, electronic, mechanical, photocopying, recording, or otherwise, without the prior written consent of NVR, Inc.

NVR
NVR, Inc., Suite 100
Frederick, MD 21703
5285 Westwick, Suite 100
Frederick, MD 21703

SET NO. LGH00
VERSION 01
DRAWN BY
DATE:
OPTION

NOBEL
LEHIGH
DRAWING TITLE
BATH ELEVATIONS
A-13

OPTION DESCRIPTION

57