

1 PLUMBING PLAN
A-5 SCALE: 1/4" = 1'-0"

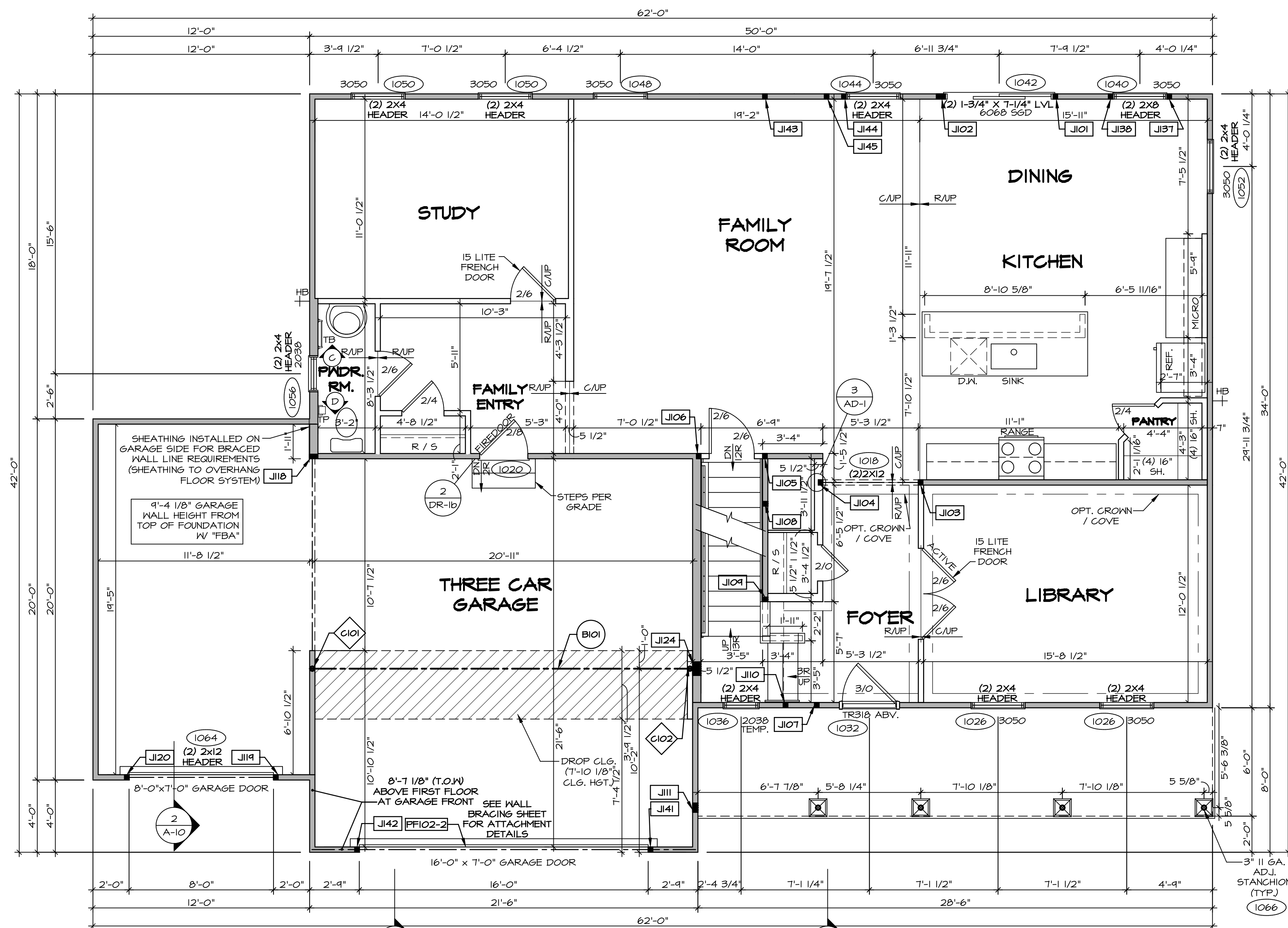
NOTE
 RADON REMEDIATION
 RADON LOOP:
 - (4") PERFORATED HDPE "LOOP"
 - MUST BE PLACED IN STONE BED SLIGHTLY HIGHER THAN ANY INTERIOR DRAINTILE
 - LOOP TO BE SEPARATE FROM ANY DRAINTILE ELEMENTS
 - TO BE CORRUGATED HDPE PIPE
 - SCREWS TO BE INSTALLED THROUGH LOOP AT TEE UP INTO STACK
 STACK REQUIREMENTS:
 - 3" PVC STACK (4" IF BASEMENT IS GREATER THAN 2200 SOFT.)
 - NO PART OF STACK IS TO BE HORIZONTAL
 - PIPE TO BE PHYSICALLY LABELED IN THE FIELD AS "RADON VENT" OR OTHER JURISDICTIONALLY REQUIRED LANGUAGE (ON EVERY LEVEL OF HOUSE)
 - ROOF TERMINATION TO BE IN TOP 1/3 OF ROOF
 - SCREEN INSTALLED TO KEEP PESTS OUT OF RADON VENT AT ROOF TERMINATION

SHEET NO.	A-5	29
MODEL	SAINT LAWRENCE	
SET NO.	SLR00	
VERSION	01	
DRAWN BY	CDK	
DATE	5/15/18	
OPTION	OPTION	
DRAWING TITLE	PLUMBING PLAN	
OPTION DESCRIPTION		



© NVR, Inc. expressly reserves the right to modify or amend these plans at any time without notice. These plans are not to be reproduced, changed or copied in any way without the written consent of NVR, Inc.

DIV-COMM-LOT-UNIT	DCY-YR-5086
COMM-LOT	
VLGES OF MINDING CREEK MONT CO - 5086	
STREET ADDRESS	11095 ELK CREEK DRIVE
CITY	CENTERVILLE
STATE	OH
ZIP	45458
APT. NO.	401



FIRST FLOOR PLAN
SCALE: 1/4" = 1'-0"

FLOOR PLAN NOTES

- ALL HEADERS ARE (2) 2x6 w/ 2x4 WALLS OR (3) 2x6 w/ 2x6 WALLS, UNLESS OTHERWISE NOTED.
- ALL HEADERS TO HAVE (1) 2x4 OR 2x6 JACK AND KING STUD EACH END, UNLESS OTHERWISE NOTED.
- ALL EXTERIOR WALLS TO BE 4" w/ OSB OR 3 1/2" w/ LAMINATED FIBROUS STRUCTURAL SHEATHING, ALL INTERIOR WALLS TO BE 3 1/2", UNLESS OTHERWISE NOTED.
- HATCHED AREAS INDICATE DROPPED CEILING. ALL DROPPED CEILING ARE 12" UNLESS OTHERWISE NOTED.
- SEE "BRACED WALL PANEL DETAIL SHEET" FOR SPECIAL WALL FRAMING LOCATIONS AND HEADER SIZES, IF APPLICABLE.
- SEE STANDARD DETAIL CATEGORY "IT" SHEET(S) FOR INTERIOR TRIM DETAILS.
- SEE ARCHITECTURAL DETAIL SHEET "AD" FOR HOUSE SPECIFIC INTERIOR TRIM OPTION TABLE.
- ALL WINDOWS HAVE 1'-0 1/2" HEADER HEIGHT UNLESS OTHERWISE NOTED.
- ALL HEADERS IN NON-BEARING WALLS SHALL BE A SINGLE FLAT 2x4 OR 2x6 ATTACHED TO CRIPPLES ABOVE, UNLESS OTHERWISE NOTED.
- TANKED WATER HEATER SHOWN AS BASE CONDITION, OPTIONAL TANKLESS WATER HEATER IS AVAILABLE IN LIEU OF TANKED WATER HEATER.

GYPSUM NOTES

AT GARAGE:
GYPSUM BOARD AT COMMON WALLS, CEILING, BEAM WRAPS AND SUPPORTS PER STANDARD DETAIL FA-1(b) FIRE ASSEMBLIES OR AS REQUIRED BY LOCAL CODE.

AT STAIRS:
1/2" GYPSUM BOARD AT UNDERSIDE OF STAIRS AND WALLS IN CLOSET

LVL PLY TO PLY FASTENING SCHEDULE: (WHERE APPLICABLE BASED ON LVL USAGE)

- (2) PLY UP TO AND INCLUDING 11 7/8" TALL; FASTEN PLYS W/ (2) ROWS 16D NAILS AT 12" O.C. OR ALT 1 1/2" WIDE LVL FASTEN PLYS W/ (3) ROWS 12D NAILS AT 12" O.C.
- (2) PLY 14" TO AND 18" TALL (INCLUSIVE); FASTEN PLYS W/ (3) ROWS 16D NAILS AT 12" O.C. OR ALT 1 1/2" WIDE LVL FASTEN PLYS W/ (4) ROWS 12D NAILS AT 12" O.C.
- (2) PLY 20" TALL AND OVER; FASTEN PLYS W/ (4) ROWS 16D NAILS AT 12" O.C. OR ALT 1 1/2" WIDE LVL FASTEN PLYS W/ (5) ROWS 12D NAILS AT 12" O.C.
- (3) PLY UP TO AND INCLUDING 11 7/8" TALL; FASTEN PLYS W/ (2) ROWS 16D NAILS AT 12" O.C. FROM EACH SIDE OR ALT 1 1/2" WIDE LVL FASTEN PLYS W/ (3) ROWS 12D NAILS AT 12" O.C. FROM EACH SIDE.
- (3) PLY 14" TO AND 18" TALL (INCLUSIVE); FASTEN PLYS W/ (3) ROWS 16D NAILS AT 12" O.C. FROM EACH SIDE OR ALT 1 1/2" WIDE LVL FASTEN PLYS W/ (4) ROWS 12D NAILS AT 12" O.C. FROM EACH SIDE.
- (3) PLY 20" TALL AND OVER; FASTEN PLYS W/ (4) ROWS 16D NAILS AT 12" O.C. FROM EACH SIDE OR ALT 1 1/2" WIDE LVL FASTEN PLYS W/ (5) ROWS 12D NAILS AT 12" O.C. FROM EACH SIDE.
- (4) PLY (ALL SIZES); FASTEN PLYS W/ (2) ROWS 1/2" DIAMETER A307 BOLTS AT 24" O.C. SEE SHOP DRAWING FOR ADDITIONAL INFORMATION.

FIELD INSTALLED FIRST FLOOR BEAM/HEADER SCHEDULE

IDENTIFIER	DESCRIPTION	LENGTH	OPTIONS	ENG. NUM.	REMARKS
B101	BEAM STEEL - W12X40	21'-7 1/2"	SXC	1022	
PF102-2	LVL 1.75 - 11-04	21'-3"		1058	1A

STEEL COLUMN SCHEDULE

IDENTIFIER	STYLE	HEIGHT	OPTIONS	ENG. NUM.	REMARKS
C101	STANCHION - 3 IN SCHED 40	9'-0 1/16"	SXC, FBA	1022	
C102	STANCHION - 3 IN SCHED 40	9'-0 1/16"	SXC, FBA	1022	

FIRST FLOOR JACK SCHEDULE

IDENTIFIER	DESCRIPTION	OPTIONS	ENG. NUM.	REMARKS
J101	JACK - (2) 2x4 SFF STUD GRADE		1042	
J102	JACK - (4) 2x4 SFF STUD GRADE		1042	
J103	JACK - (2) 2x4 SFF STUD GRADE		1018	
J104	JACK - (2) 2x4 SFF STUD GRADE		1018	
J105	JACK - (2) 2x4 SFF STUD GRADE		1012, 1014	
J106	JACK - (2) 2x4 SFF STUD GRADE		1012	
J107	JACK - (2) 2x4 SFF STUD GRADE		1093	
J108	JACK - (2) 2x4 SFF STUD GRADE		1014	
J109	JACK - (2) 2x4 SFF STUD GRADE		1014	
J110	JACK - (2) 2x4 SFF STUD GRADE		1010	
J111	JACK - (4) 2x4 SFF STUD GRADE		1066	
J112	JACK - (2) 2x6 SFF STUD GRADE		1016	
J119	JACK - (2) 2x4 SFF STUD GRADE		1064	
J120	JACK - (2) 2x4 SFF STUD GRADE		1064	
J124	JACK - (6) 2x6 SFF STUD GRADE	SXC	1022	
J137	JACK - (2) 2x4 SFF STUD GRADE		1040	
J138	JACK - (2) 2x4 SFF STUD GRADE		1040	
J141	JACK - (2) 2x4 SFF STUD GRADE		1058	
J142	JACK - (2) 2x4 SFF STUD GRADE		1058	
J143	JACK - (2) 2x4 SFF STUD GRADE		1014	
J144	JACK - (2) 2x4 SFF STUD GRADE		1044	
J145	JACK - (2) 2x4 SFF STUD GRADE		2006	

LEGEND

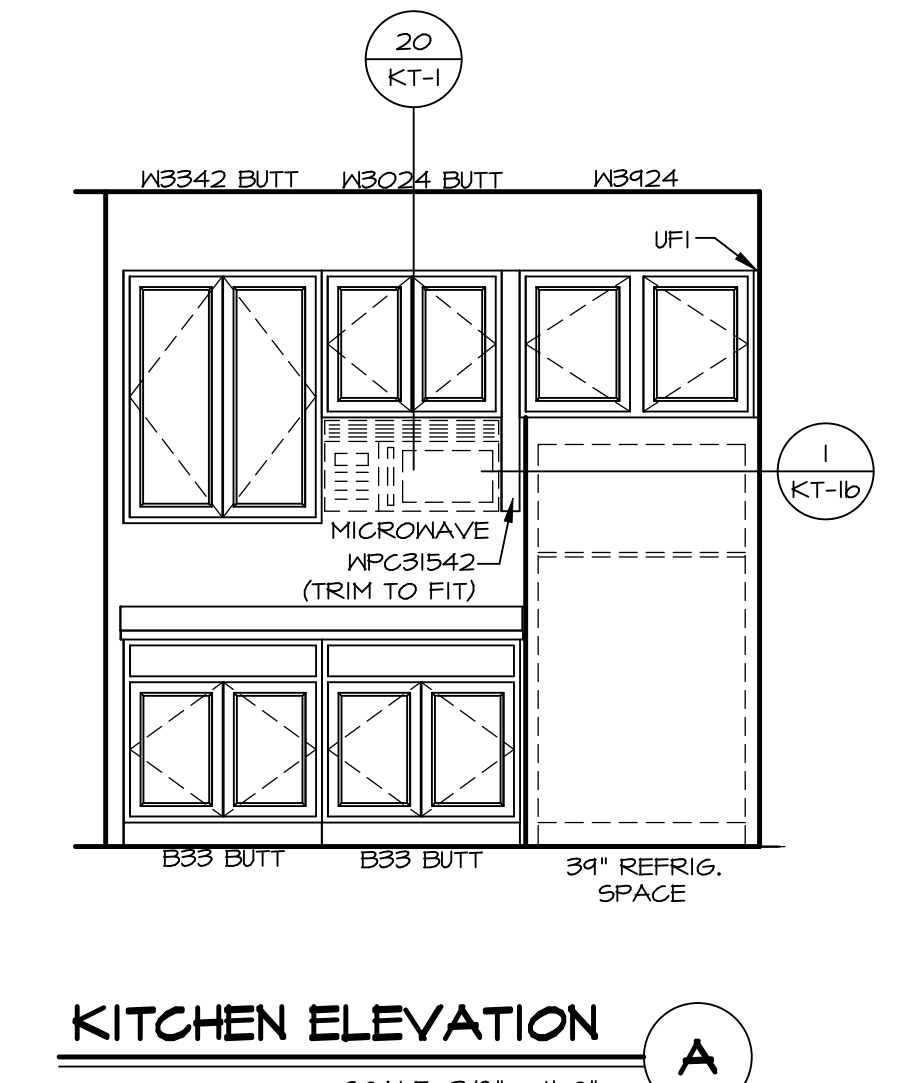
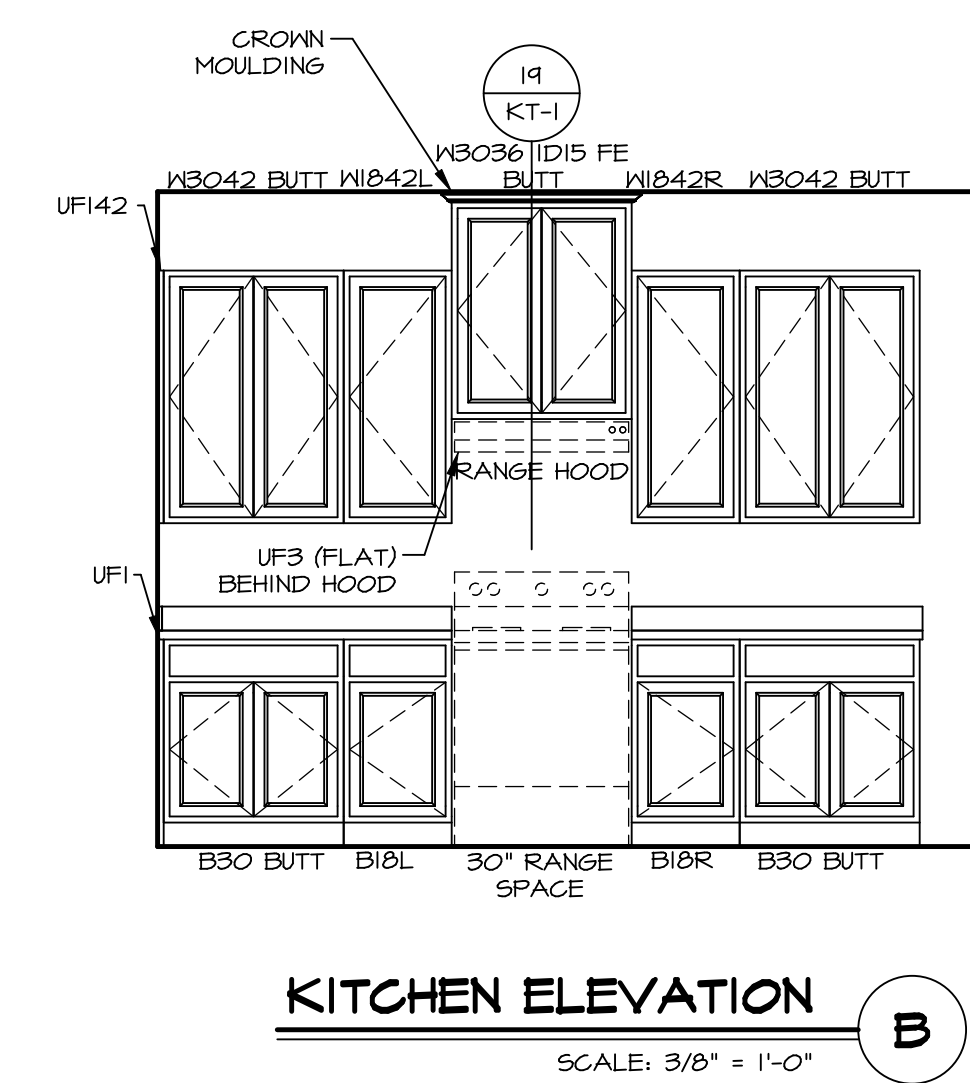
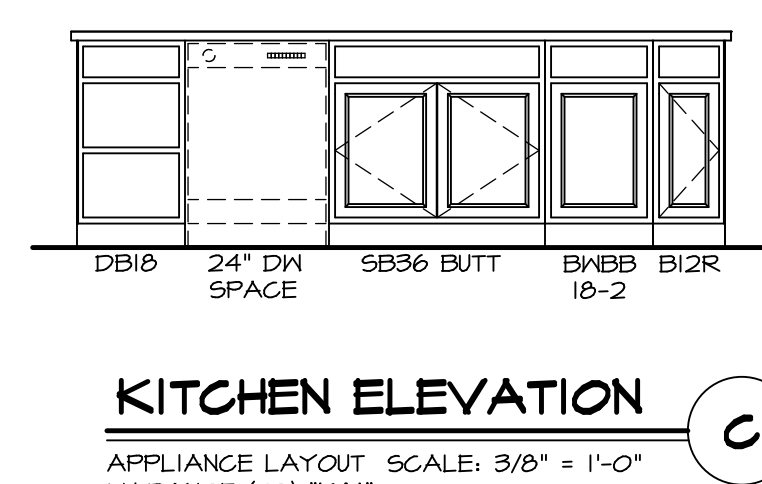
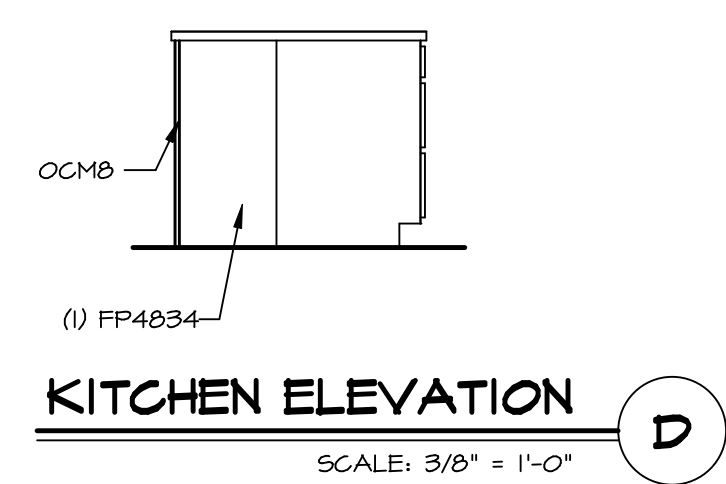
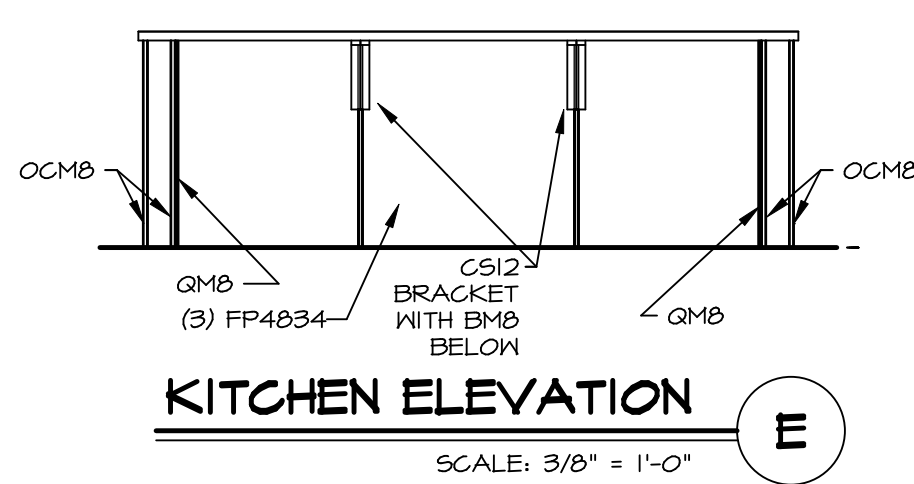
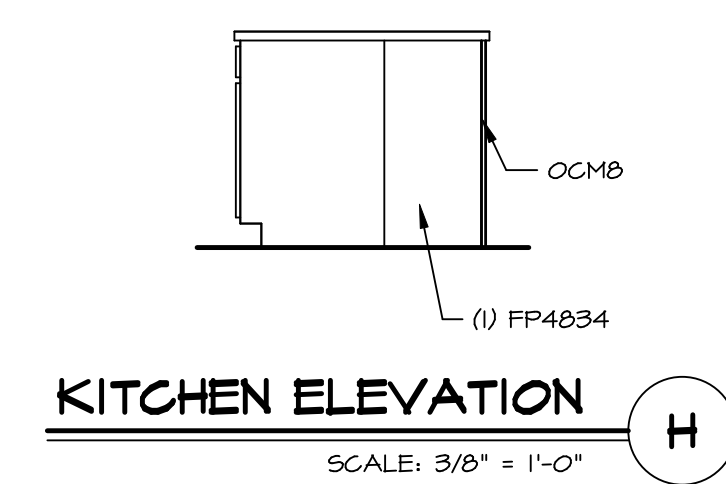
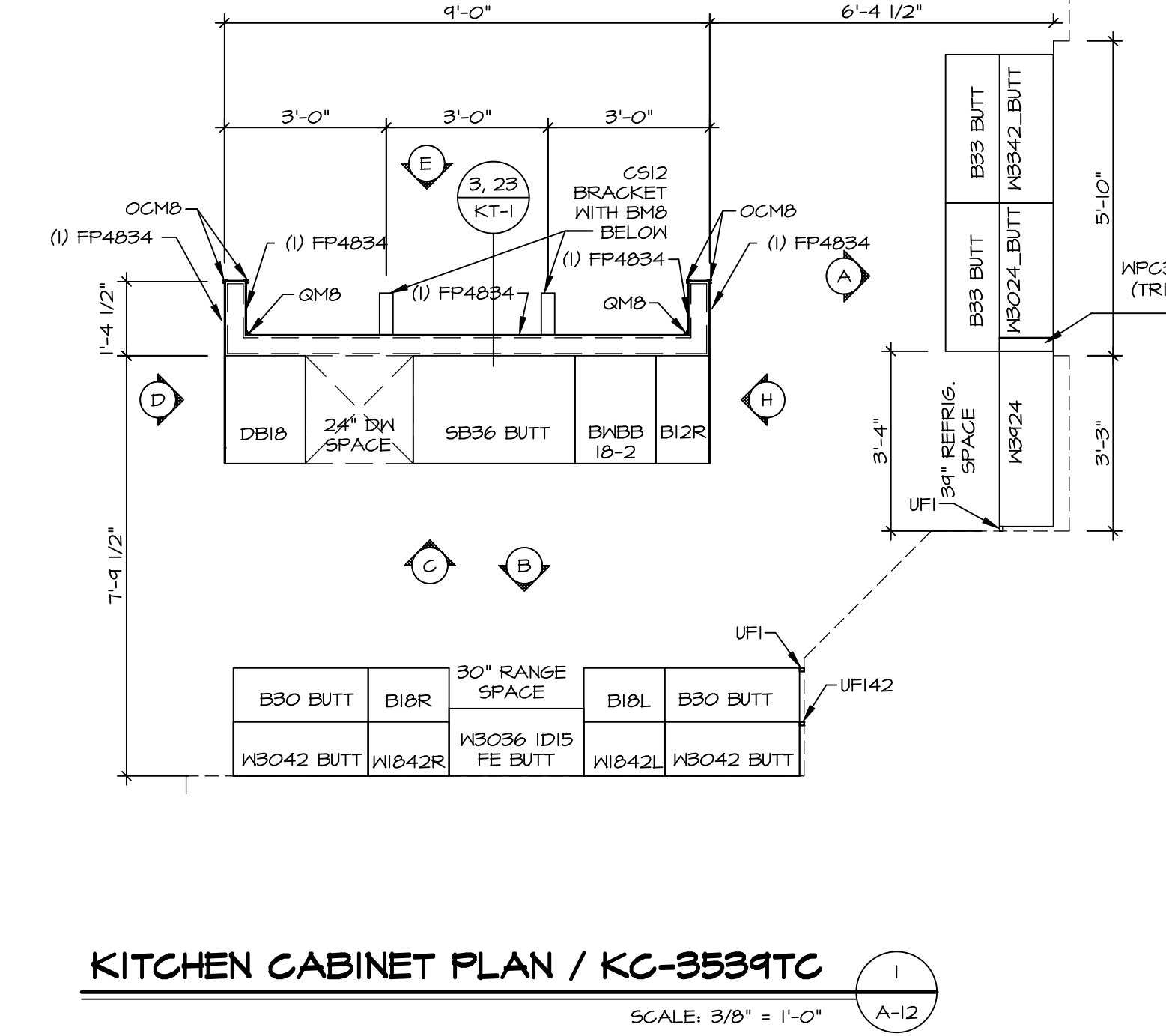
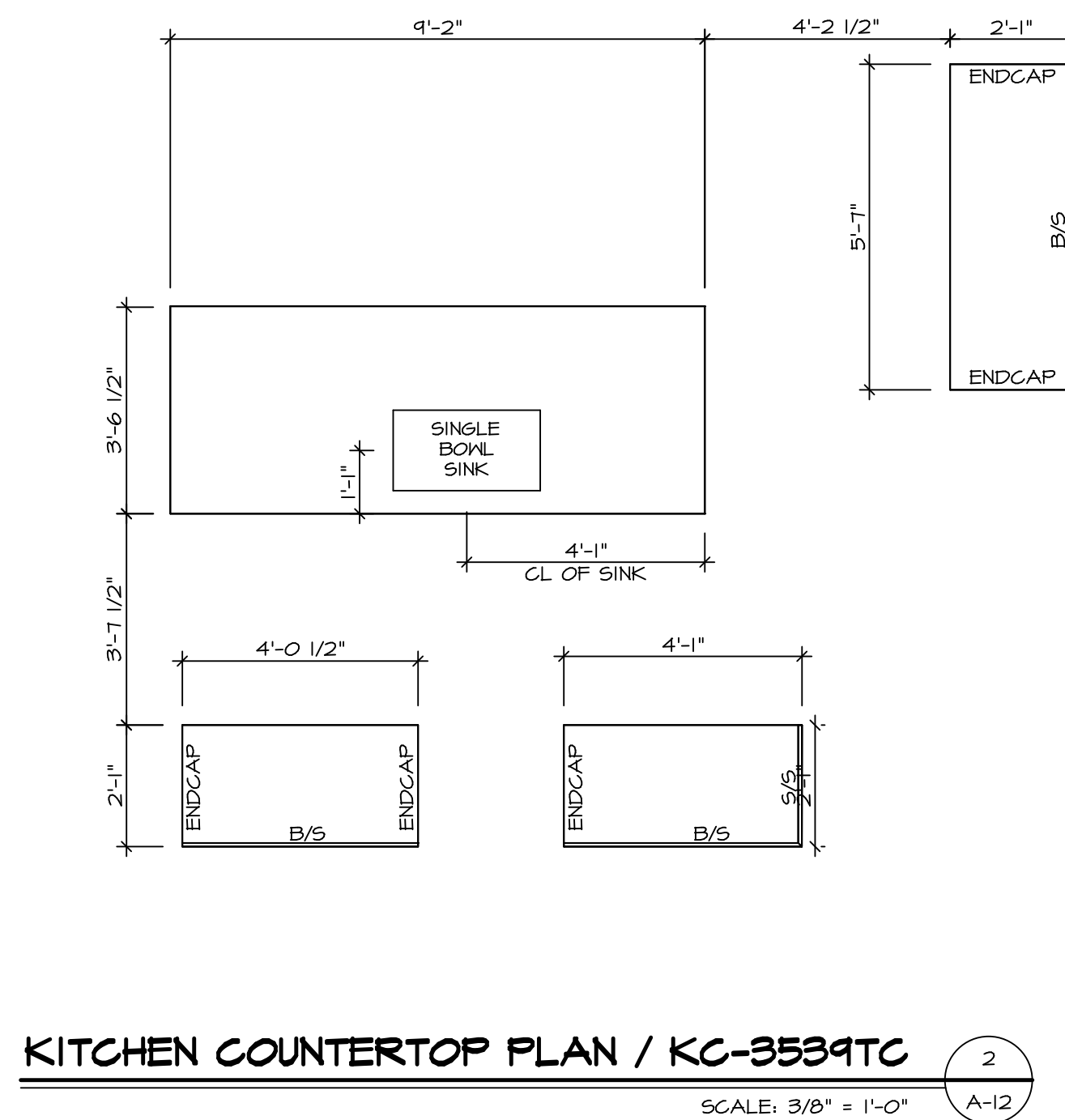
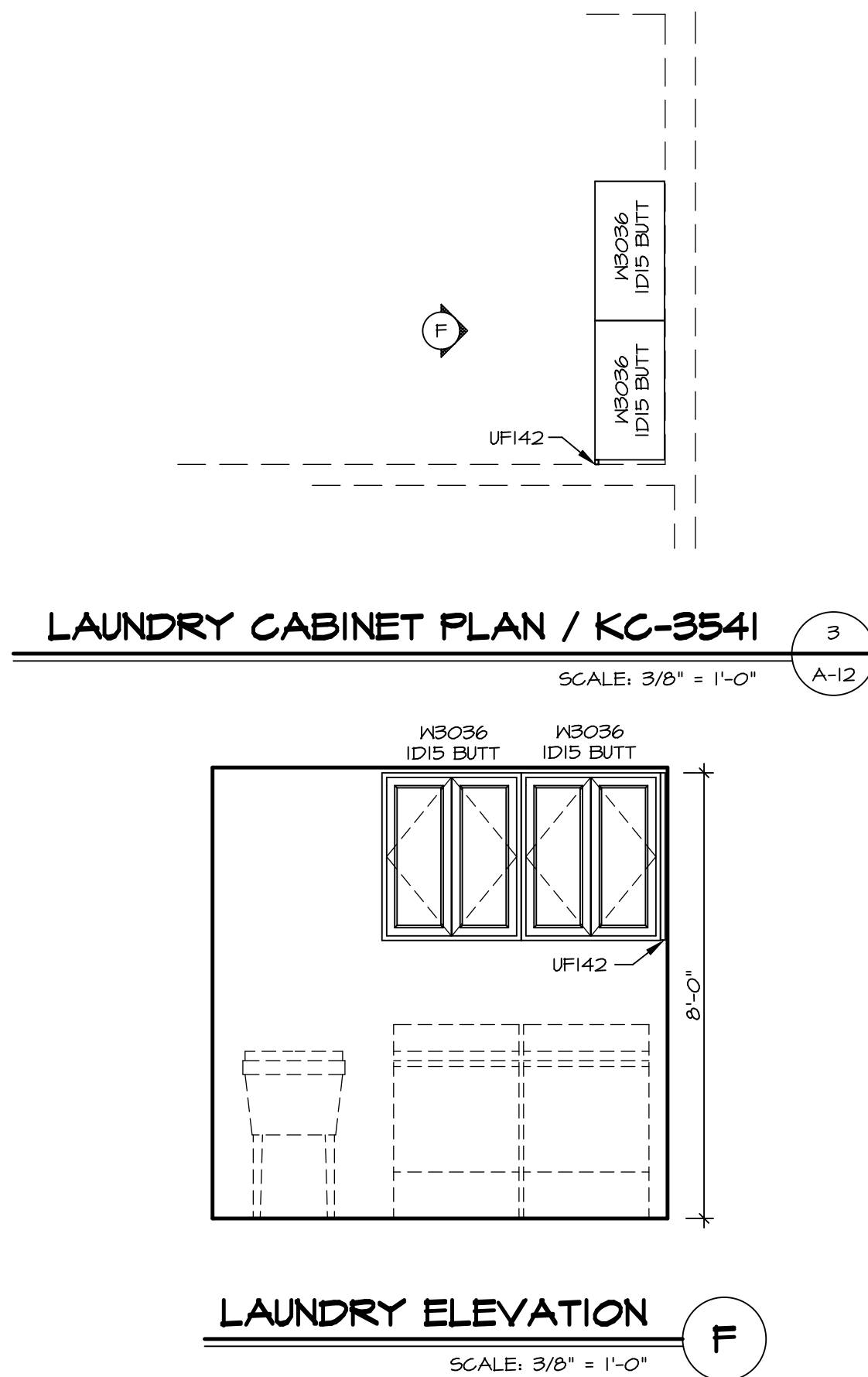
- BEARING WALL
- NON BEARING WALL
- INDICATES BEARING FROM POINT-LOAD ABOVE
- JACKS
- BEAM/HEADER
- PAD FOOTING
- STEEL COLUMN
- TRUSS TIE DOWN
- PORTAL FRAME
- JOIST/TRUSS
- LVL
- ENGINEERING PAGE NUMBER

SEE FC DETAILS FOR FRAMING CONNECTORS

DCY-YR-5086
 VILGGS OF WINDING CREEK MONT CO - 5086
 11095 ELK CREEK DRIVE
 CENTERVILLE, OH 45458

NVR
 NVR, Inc. Suite 100
 5285 Washington Blvd
 Frederick, MD 21703

SAINT LAWRENCE
 FIRST FLOOR PLAN
 DATE: 5/15/18
 DRAWN BY: GDP
 SET NO. SLR00
 VERSION 01



- NOTES:**
- CABINET LAYOUT (S) ARE BASED ON FINISHED DIMENSIONS TO DRYWALL.
 - IF KITCHEN PLANS/ELEVATIONS CALL-OUT STANDARD MOLDING, REFER TO STANDARD DETAIL (I/KT-I) FOR REPLACEMENT BASED ON CABINET STYLE.
 - ALL (UFI) FILLERS ARE TO BE "TRIM TO FIT" UNLESS OTHERWISE NOTED.
 - CABINET MUST BE SET, SHIMMED, LEVELED AND PLUMB W/ ADJOINING BASE CABINETS.
 - SET PRE-FINISHED SCRIBE MOLDING AT CABINET BULKHEADS AND AT ENDS (WHERE CABINETS MEET DRYWALL) PRE-FINISHED SCRIBE MOLDING SHALL BE USED TO PAD OUT CABINET SIDES AT STILE FOR RETURN PIECES OF THE FACE-MOUNTED CABINET CROWN MOLDING.
 - HARDWARE INSTALL NOTE: KNOBS GO ON DOORS AND DRAWERS FOR ALL AREAS, ALL DRAWER FRONTS AND DOORS GET (I) KNOB/ PULL. NO HARDWARE ON FALSE DRAWER FRONTS.

SAINT LAWRENCE
DRAWING TITLE: KITCHENS
OPTION DESCRIPTION

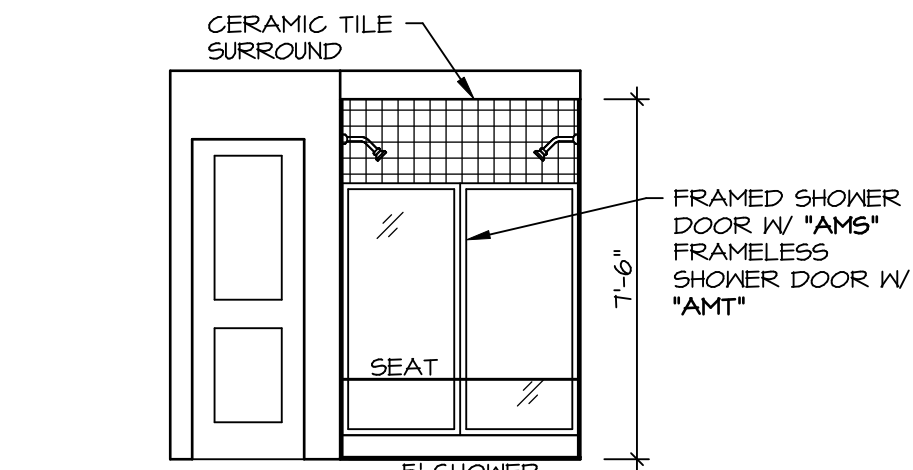
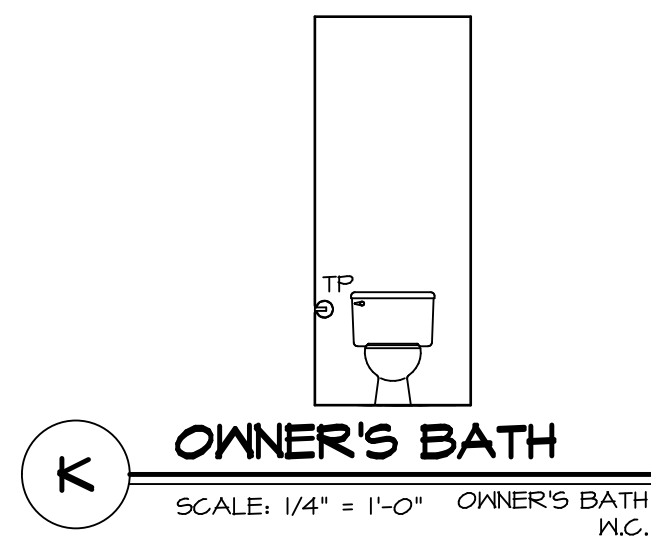
SET NO. SLR00
VERSION 01
DRAWN BY DRH
DATE: 5/15/18
OPTION

SHEET NO. **A-12**
66

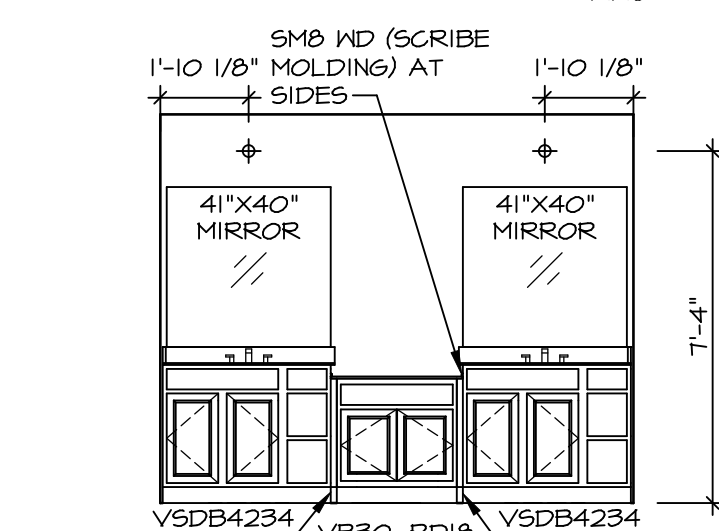
NVR
NVR, Inc. Suite 100
5285 Washington Blvd.
Frederick, MD 21703

DCY-YR-S086
DIV-COMM-LOT-UNIT
COMM-LOT
VILGS OF WINDING CREEK MONT CO - S086
STREET ADDRESS
11095 ELK CREEK DRIVE
CITY CENTERVILLE
STATE OH
ZIP 45458

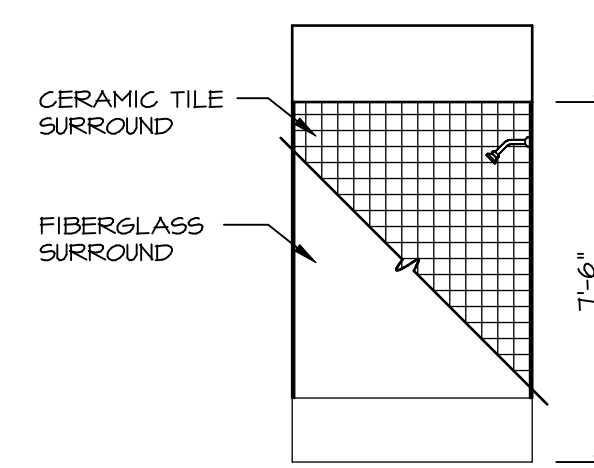
C:\NVR\Solves\SAINT LAWRENCE-SLR00_01\DCY-YR-S086-20255531\Sheet\A-12_KIT_LS.dwg 08/20/20 - 5:15 gm



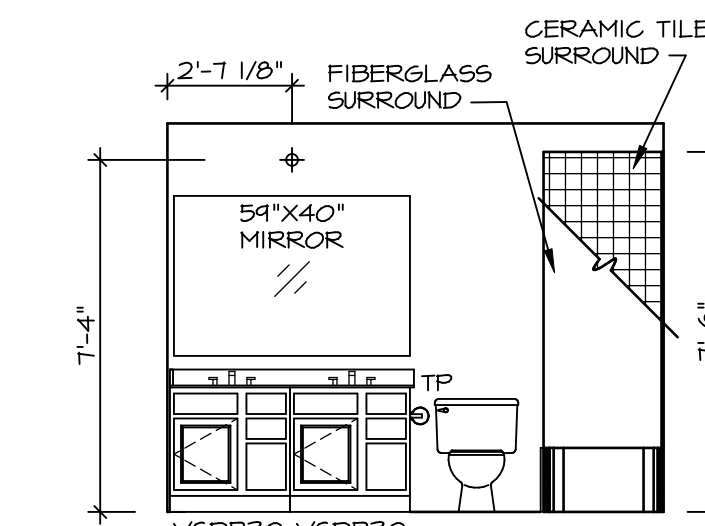
N OWNER'S BATH
SCALE: 1/4" = 1'-0" OWNER'S BATH
ROMAN SHOWER *AM6*



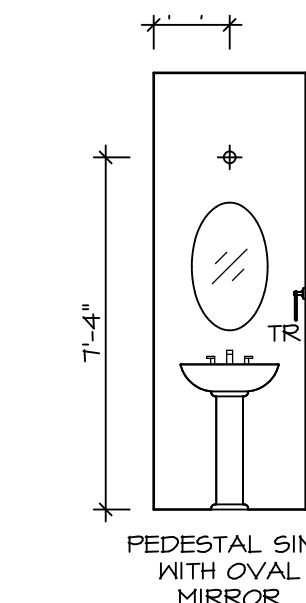
T OWNER'S BATH
SCALE: 1/4" = 1'-0" OWNER'S BATH
ROMAN SHOWER *AM6*



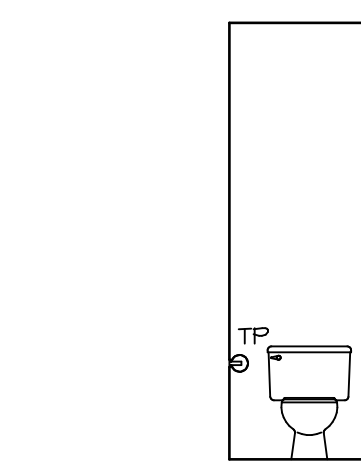
G BATH #1
SCALE: 1/4" = 1'-0"



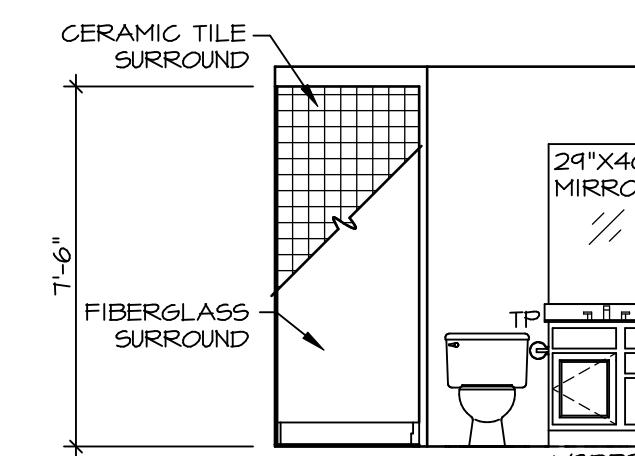
H BATH #1
SCALE: 1/4" = 1'-0"



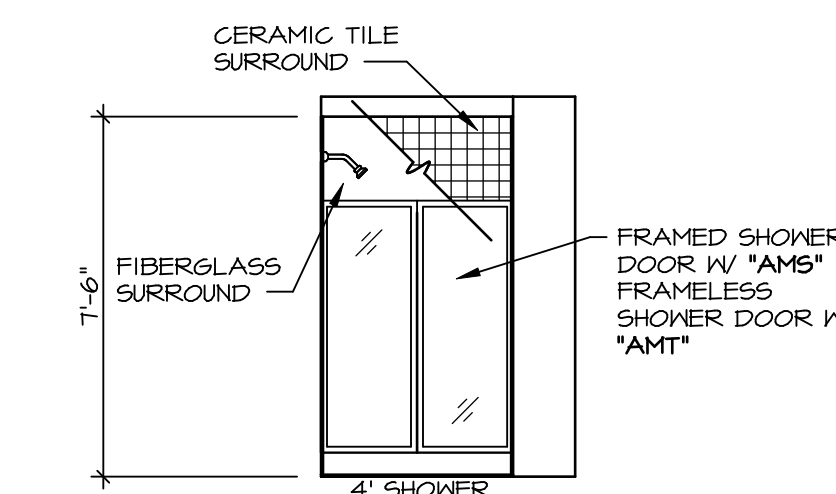
C POWDER ROOM
SCALE: 1/4" = 1'-0" WITH STUDY *MAS*



D POWDER ROOM
SCALE: 1/4" = 1'-0" WITH STUDY *MAS*



A BASEMENT BATH
SCALE: 1/4" = 1'-0" *BAC / AEB*



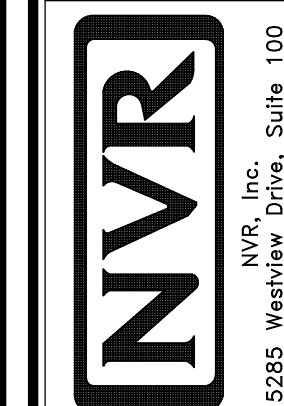
B BASEMENT BATH
SCALE: 1/4" = 1'-0" *BAC / AEB*

NOTES:

1. TEMPERED GLASS SHOWER ENCLOSURE WITH SWING DOOR OR OPTIONAL SLIDING DOOR BY DIVISION
2. TUB ACCESS PANELS PROVIDED AS NEEDED, ALL MATERIALS BY DIVISION
3. REFER TO SHEET IT-2 FOR TUB AND SHOWER DETAILS.
4. ALL V5DB24-42 DRAWERS TO BE SET ON RIGHT HAND.
5. ALL BATH ELEVATIONS ARE SHOWN PER PLAN.

SHEET NO. A-13	MODEL SAINT LAWRENCE	SET NO. SLR00	VERSION 01
		DRAWN BY GDP	DATE: 5/15/18
OPTION DESCRIPTION	DRAWING TITLE BATH ELEVATIONS	OPTION	
		OPTION	
68	98	DIV-COMM-LOT-UNIT DCY-YR-5086	
		COMM-LOT VLGS OF WINDING CREEK MONT CO - 5086	
STREET ADDRESS 11095 ELK CREEK DRIVE		APT. NO. 401	STATE OH
CITY CENTERVILLE		ZIP 45458	

© NVR, Inc. expressly reserves the right to modify or change these plans at any time without notice. These plans are not to be reproduced, changed or altered in any way without the written consent of NVR, Inc.



5285 Washington Blvd., Suite 100
Frederick, MD 21703